

SUNDRY NOTICES AND REPORTS ON WELLS

Do not use this form for proposals to drill or to re-enter an abandoned well. Use Form 3160-3 (APD) for such proposals.

5. Lease Serial No.
NM-101575

6. If Indian, Allottee or Tribe Name
NA

7. If Unit or CA/Agreement, Name and/or No.
NM-111036

8. Well Name and No.
Cooker BCB Federal Com #2

9. API Well No.
30-005-63648

10. Field and Pool or Exploratory Area
Pecos Slope; Abo

11. County or Parish, State
Chaves County, New Mexico

SUBMIT IN TRIPLICATE - Other instructions on page 2.

1. Type of Well
 Oil Well Gas Well Other

2. Name of Operator
Yates Petroleum Corporation

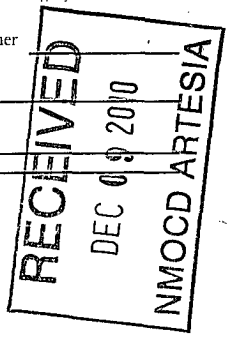
3a. Address
105 S. 4th Str., Artesia, NM 88210

3b. Phone No. (include area code)
575-748-1471

4. Location of Well (Footage, Sec., T., R., M., OR Survey Description)
990'FNL & 990'FEL of Section 21-T6S-R26E (Unit A, NENE)

12. CHECK APPROPRIATE BOX(ES) TO INDICATE NATURE OF NOTICE, REPORT, OR OTHER DATA

TYPE OF SUBMISSION	TYPE OF ACTION			
<input checked="" type="checkbox"/> Notice of Intent	<input type="checkbox"/> Acidize	<input type="checkbox"/> Deepen	<input type="checkbox"/> Production (Start/Resume)	<input type="checkbox"/> Water Shut-Off
<input type="checkbox"/> Subsequent Report	<input type="checkbox"/> Alter Casing	<input type="checkbox"/> Fracture Treat	<input type="checkbox"/> Reclamation	<input type="checkbox"/> Well Integrity
<input type="checkbox"/> Final Abandonment Notice	<input type="checkbox"/> Casing Repair	<input type="checkbox"/> New Construction	<input type="checkbox"/> Recomplete	<input type="checkbox"/> Other
	<input type="checkbox"/> Change Plans	<input checked="" type="checkbox"/> Plug and Abandon	<input type="checkbox"/> Temporarily Abandon	
	<input type="checkbox"/> Convert to Injection	<input type="checkbox"/> Plug Back	<input type="checkbox"/> Water Disposal	



12/10/2010

13. Describe Proposed or Completed Operation: Clearly state all pertinent details, including estimated starting date of any proposed work and approximate duration thereof. If the proposal is to deepen directionally or recomplate horizontally, give subsurface locations and measured and true vertical depths of all pertinent markers and zones. Attach the Bond under which the work will be performed or provide the Bond No. on file with BLM/BIA. Required subsequent reports must be filed within 30 days following completion of the involved operations. If the operation results in a multiple completion or recompletion in a new interval, a Form 3160-4 must be filed once testing has been completed. Final Abandonment Notices must be filed only after all requirements, including reclamation, have been completed and the operator has determined that the site is ready for final inspection.

Yates Petroleum Corporation plans to plug and abandon this well as follows:

- RU all safety equipment as needed. No casing recovery will be attempted.
- Drill out CIBP at 4010' and composite bridge plug at 4700'.
- Set a CIBP at 5338' with 35' cement on top. This will put a plug over Silurian perms.
- Set a CIBP at 5020' with 35' cement on top. This will put a plug over Cisco perms.
- Set a CIBP at 4722' with 35' cement on top. This will put a plug over Wolfcamp perms.
- Set a CIBP at 3746' with 50' cement on top. This will put a plug over Abo perms and across the top of the Abo.
- Perforate and spot a 50 sx Class "C" cement plug from 1516'-1616'. This will put a 100' cement plug across top of the Glorieta, inside and outside casing. **WOC & Tag Plug**
- Perforate and spot a 50 sx Class "C" cement plug from 902'-1002'. This will put a 100' plug across surface casing shoe, inside and outside casing. WOC and tag plug.
- Perforate and spot a 30 sx Class "C" cement plug from 60' up to surface, outside and inside casing.
- Remove all surface equipment, weld dry hole marker and clean location as per regulations.

**APPROVED FOR 12 MONTH PERIOD
ENDING NOV 24 2011**

Due to the volume of wells we currently have plans to plug, both State/Fee and Federal, Yates Petroleum respectfully requests a time frame of 1 year to have commenced plugging operations and for this notice of intent to be in affect

14. I hereby certify that the foregoing is true and correct

Name (Printed/Typed) Tina Huerta Title Regulatory Compliance Supervisor

Signature *Tina Huerta* Date October 18, 2010

THIS SPACE FOR FEDERAL OR STATE OFFICE USE

Approved by **/S/ DAVID R. GLASS** Title **PETROLEUM ENGINEER** Date **NOV 24 2010**

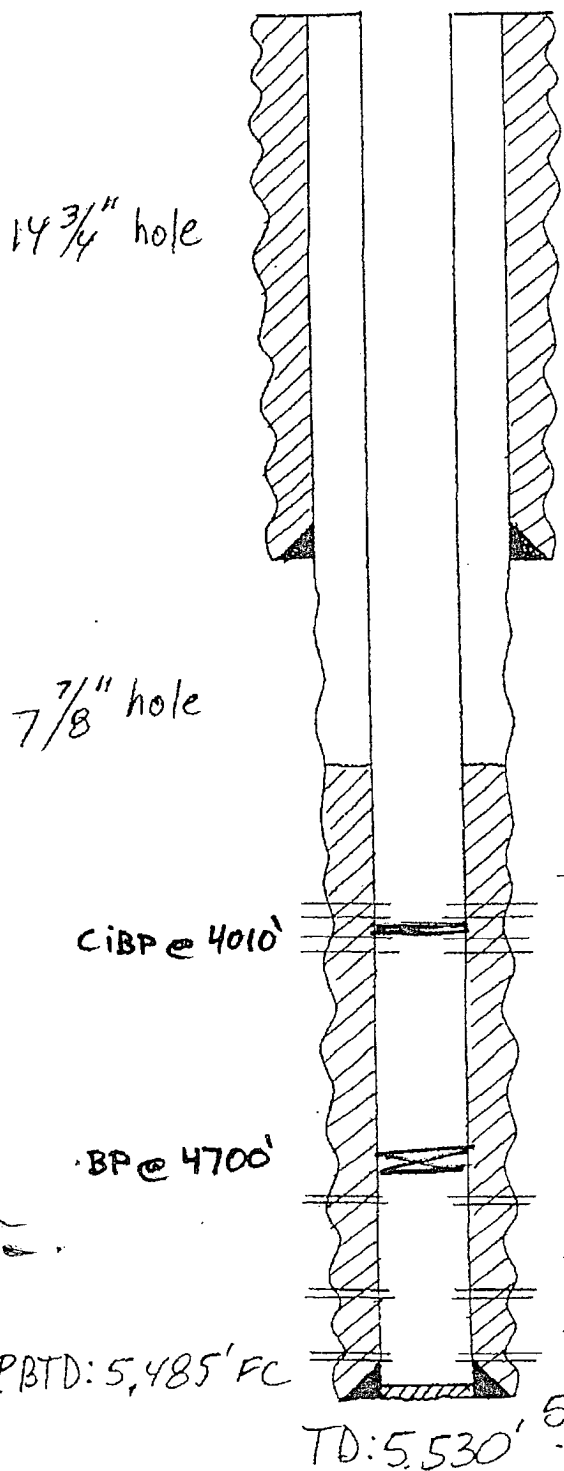
Conditions of approval, if any, are attached. Approval of this notice does not warrant or certify that the applicant holds legal or equitable title to those rights in the subject lease which would entitle the applicant to conduct operations thereon.

Office **SEE ATTACHED FOR**

Title 18 U.S.C. Section 1001 and Title 43 U.S.C. Section 1212, make it a crime for any person knowingly and willfully to make to any department or agency of the United States any false, fictitious or fraudulent statements or representations as to any matter within its jurisdiction.

WELLNAME: Cooper BCB Fed Com #2 FIELD: Pecos Slope
 LOCATION: 960' FNL + 990' FEL, Sec 21, T6S, R26E, Chaves Co, NM.
 GL: 3,636' ZERO: _____ AGL: _____ KB: 3,653.3'
 SPUD DATE: 4/20/04 COMPLETION DATE: _____
 COMMENTS: _____

CASING PROGRAM	
SIZE/WT/GR/CONN	DEPTH SET
1 3/4", 42.0 #44, H-40, STC	952'
5/2", 15.50 #44, J-55, LTK	5,530'



BEFORE

1 3/4" set @ 952' cmtD w/ 800 SACKS
 cmt circ to surface

TOC: 3,000' +/-

Abo

3,796' - 3,956' w/ 60 holes over 160' "A+B"
 4,050' - 4,204' w/ 63 holes over 154' "C"

Wolfcamp?

4,772' - 4,778' w/ 4 jspt, Spear zone
 Cisco

5,070' - 5,136' w/ 2 jspt in 4 intervals
Silurian

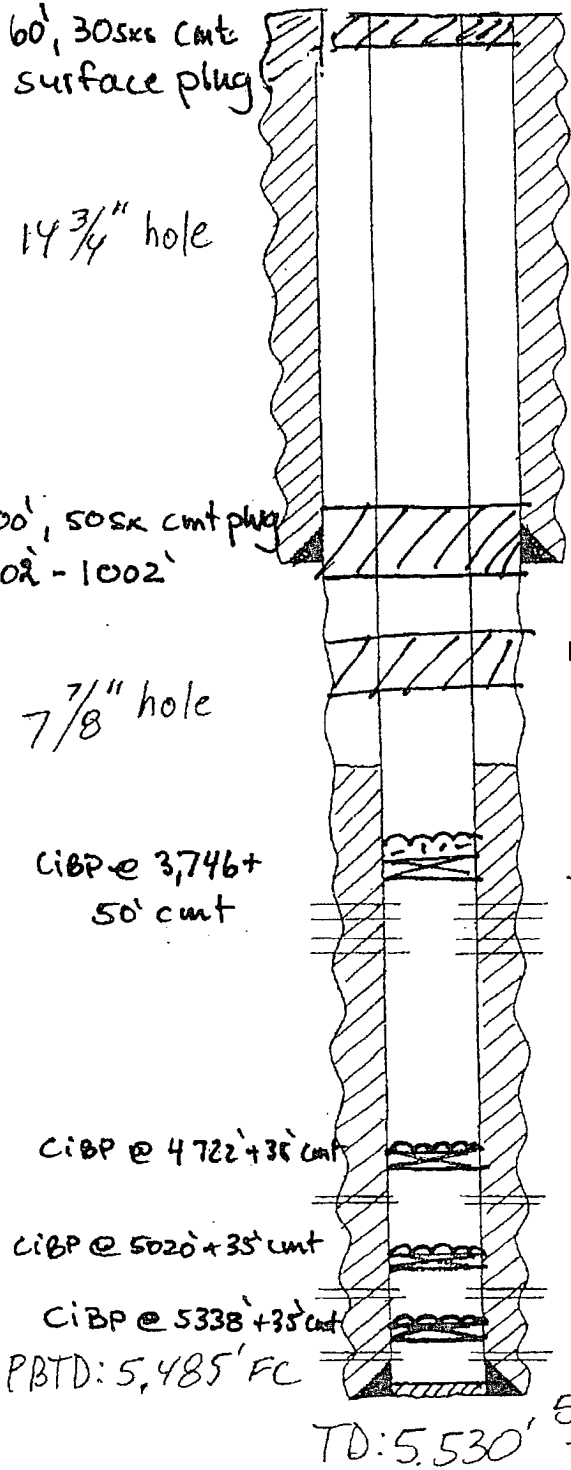
5,388' - 5,398' w/ 4 jspt

5/2" set @ 5,530' cmtD w/ 514 SACKS
 DATE: 5/10/04 JWP

- SKETCH NOT TO SCALE -

WELLNAME: Cooper "BCB" Fed Com #2 FIELD: Pecos Slope
 LOCATION: 960' FNL + 990' FFL, Sec 21, T6S, R26E, CHAVES Co, NM.
 GL: 3,636 ZERO: _____ AGL: _____ KB: 3,653.3'
 SPUD DATE: 4/20/04 COMPLETION DATE: _____
 COMMENTS: _____

CASING PROGRAM	
SIZE/WT/GR/CONN	DEPTH SET
11 3/4", 42.0 #4 AT, H-40, STIC	952'
5 1/2", 15.50 #4 J-55, LTIC	5,530'



After

Fm. Tops	DEPTH
S. Andres	620'
Glorieta	1566'
Abo	3742'
WC	4436'
Cisco	5030'
Straon	5192'
Siluro-Drdo	5384'
Pre-Camb	5420'

11 3/4" set @ 952' cmtD w/ 800 SACKS
 cmt circ to surface

100' 30sx cmt plug
 1516'-1616'

TOC: 3,000' +/-

Abo
 3,796' - 3,956' w/ 60 holes over 160' "A+B"
 4,050' - 4,204' w/ 63 holes over 154' "C"

Wolfcamp?
 4,772' - 4,778' w/ 4 jsf, Spear zone

Cisco
 5,070' - 5,136' w/ 2 jsf in 4 intervals

Silurian
 5,388' - 5,398' w/ 4 jsf

5 1/2" set @ 5,530' cmtD w/ 514 SACKS
 DATE: 5/10/04 JWP

TD: 5,530' - SKETCH NOT TO SCALE -

BUREAU OF LAND MANAGEMENT

Roswell Field Office
2909 West Second Street
Roswell, New Mexico 88201
(575) 627-0272

Permanent Abandonment of Federal Wells Conditions of Approval

Failure to comply with the following Conditions of Approval may result in a Notice of Incidents of Noncompliance (INC) in accordance with 43 CFR 3163.1.

1. **Plugging operations** shall commence within **ninety (90) days** from the approval date of this Notice of Intent to Abandon. **If you are unable to plug the well by the 90th day provide the BLM Roswell Field Office, prior to the 90th day, with the reason for not meeting the deadline and a date when the BLM Roswell Field Office can expect the well to be plugged. Failure to do so will result in enforcement action.**

2. **Notification:** Contact the BLM Roswell Field Office at least 24 hours prior to the commencing of any plugging operations. For wells in Chaves and Roosevelt County, during office hours call (575) 627-0205 or after office hours call (575) 420-2832. Engineer on call during office hours phone (575) 627-0275 or phone (after hours) call (575) 626-5749.

3. **Blowout Preventers:** A blowout preventer (BOP), as appropriate, shall be installed before commencing any plugging operation. The minimum BOP requirement is a 2M system for a well not deeper than 9090 feet; a 3M system for a well not deeper than 13636 feet; and a 5M system for a well not deeper than 22727 feet.

4. **Mud Requirement:** Mud shall be placed between all plugs. Minimum consistency of plugging mud shall be obtained by mixing at a rate of 25 sacks (50 pounds each) of gel per 100 barrels of water. Minimum nine (9) pounds per gallon.

5. **Cement Requirement:** Sufficient cement shall be used to bring any required plug to the specified depth and length. Any given cement volumes on the proposed plugging procedure are merely estimates and not final. Unless specific approval is received, no plug except the surface plug shall be less than 25 sacks of cement. In lieu of a cement plug in cased hole, a bridge plug set within 50 feet to 100 feet above the perforations shall be capped with 50 feet of cement. If a bailer is used to cap this plug, 35 feet of cement shall be sufficient.

Unless otherwise specified in the approved procedure, the cement plug shall consist of either class "C" for up to 7500 feet of depth, mixed at 14.8 lbs./gal with 6.3 gallons of fresh water per sack or class "H" for deeper than 7500 feet plugs, mixed at 16.4 lbs./gal with 4.3 gallons of fresh water per sack.

6. **Dry Hole Marker:** All casing shall be cut-off at the base of the cellar or 3 feet below final restored ground level (whichever is deeper). The well bore shall then be capped with a 4-inch pipe, 10 feet in length, 4 feet above the ground and embedded in cement. The following information shall be permanently inscribed on the dry hole marker: Well name and number, the name of the operator, the lease serial number, the surveyed location (the quarter-quarter section, section, township and range or other authorized survey designation acceptable to the authorized officer; such as metes and bounds).

7. **Subsequent Plugging Reporting:** Within 30 days after plugging work is completed, file one original and five copies of the Subsequent Report of Abandonment, Form 3160-5 to the BLM Roswell Field Office. The report should give in detail the manner in which the plugging work was carried out, the extent (by depths) of cement plugs placed, and the size and location (by depths) of casing left in the well. **Show date well was plugged.**

Following the submittal and approval of the Subsequent Report of Abandonment, a Notice of Intent for Final Abandonment with the proposed surface restoration procedure must be submitted for approval.