

Submit 3 Copies to Appropriate District Office

State of New Mexico Energy, Minerals and Natural Resources Department

Form C-103 Revised 1-1-89

elst
Op +

DISTRICT I
P.O. Box 1980, Hobbs, NM 88240

DISTRICT II
P.O. Drawer DD, Artesia, NM 88210

DISTRICT III
1000 Rio Brazos Rd., Aztec, NM 87410

OIL CONSERVATION DIVISION

P.O. Box 2088
Santa Fe, New Mexico 87504-2088

RECEIVED

APR 25 1991

WELL API NO.
5. Indicate Type of Lease STATE <input checked="" type="checkbox"/> FEE <input type="checkbox"/>
6. State Oil & Gas Lease No. B-4458
7. Lease Name or Unit Agreement Name MYCO BB STATE
8. Well No. 8
9. Pool name or Wildcat GRAYBURG JACKSON SR-Q-G-SA
10. Elevation (Show whether DF, RKB, RT, GR, etc.) 3573 GR.

SUNDRY NOTICES AND REPORTS ON WELLS TO A DIFFERENT RESERVOIR. USE "APPLICATION FOR PERMIT" (FORM C-101) FOR SUCH PROPOSALS.)

1. Type of Well:
OIL WELL GAS WELL OTHER

2. Name of Operator
MYCO INDUSTRIES, INC.

3. Address of Operator
207 SOUTH 4 th. ARTESIA, NM. 88210

4. Well Location
Unit Letter D : 660 Feet From The NORTH Line and 660 Feet From The WEST Line
Section 36 Township 17 s Range 29 e NMPM EDDY County

11. Check Appropriate Box to Indicate Nature of Notice, Report, or Other Data

NOTICE OF INTENTION TO:	SUBSEQUENT REPORT OF:
PERFORM REMEDIAL WORK <input type="checkbox"/>	REMEDIATION WORK <input type="checkbox"/>
TEMPORARILY ABANDON <input type="checkbox"/>	ALTERING CASING <input type="checkbox"/>
PULL OR ALTER CASING <input type="checkbox"/>	COMMENCE DRILLING OPNS. <input type="checkbox"/>
OTHER: <input type="checkbox"/>	PLUG AND ABANDONMENT <input type="checkbox"/>
	CASING TEST AND CEMENT JOB <input type="checkbox"/>
	OTHER: <input type="checkbox"/>

12. Describe Proposed or Completed Operations (Clearly state all pertinent details, and give pertinent dates, including estimated date of starting any proposed work) SEE RULE 1103.

TD 3253 8 5/8"-464'-50 sx. 7" - 3055'-150 sx. COMPLETION INTERVAL 3055-3253'
 PROPOSE TO P&A AS FOLLOWS
 A - SET CIBP @ 3040' W/ 35' CEMENT
 B - LOAD HOLE W/ MUD LADEN FLUID
 C - SET CIBP @ 1150' W/ 35' CEMENT
 D - PERF @ 880' & SQZ. 100' PLUG IN/OUT 7"
 E - PERF @ 450' @ SQZ. 100' PLUG IN/OUT 7"
 F - 10 SXS. @ SURFACE W/ MARKER
 G - CUT DEAD MEN
 H - CLEAN, LEVEL LOCATION / RIP ROAD/ REMOVE FLOWLINE & ELEC.

Notify N.M.O.C.C. in sufficient time to witness
Plugging

I hereby certify that the information above is true and complete to the best of my knowledge and belief.

SIGNATURE W.A. Gressett TITLE CONSULTANT DATE 4/25/91

TYPE OR PRINT NAME W.A. GRESSETT TELEPHONE NO. 748-1471

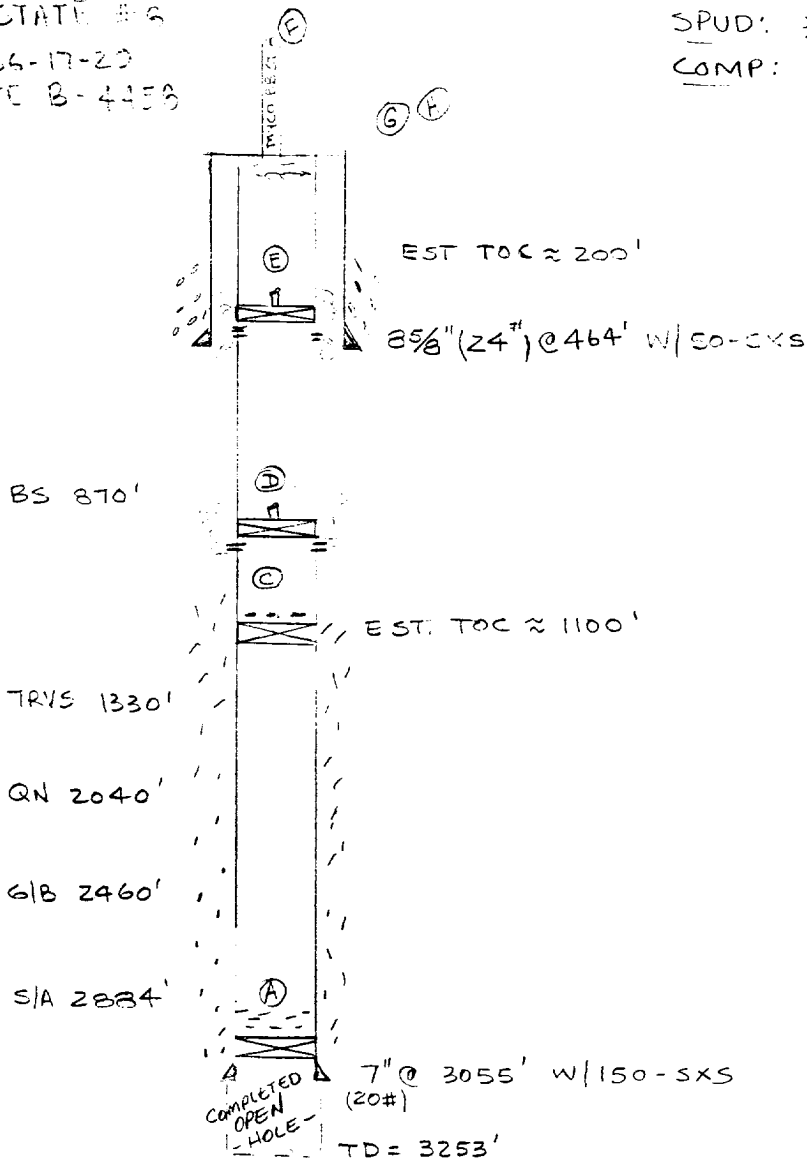
(This space for State Use) ORIGINAL SIGNED BY
 MIKE WILLIAMS
 SUPERVISOR, DISTRICT II

APPROVED BY _____ TITLE _____ DATE APR 30 1991

CONDITIONS OF APPROVAL, IF ANY:

MYCO IND., INC.
 BB STATE #6
 D-26-17-20
 STATE B-4453

SPUD: 3-7-45
 COMP: 5-12-45



- (A) SET CIBP @ 3040' W/35' CMT.
- (B) LOAD HOLE W/ MUD LADEN FLUID
- (C) SET CIBP @ 1150' W/25' CMT.
- (D) PERF @ 880' SQZ. 100 PLUG IN/OUT 7"
- (E) PERF @ 450' SQZ. 100' PLUG IN/OUT 7"
- (F) 10-SXS @ SURFACE W/MKR.
- (G) CUT DEAD-MEN
- (H) CLEAN, LEVEL LOCATION / RIF ROAD / REMOVE FLOWLINE, ELEC.

42 381 50 SHEETS 5 SQUARE
 42 382 100 SHEETS 5 SQUARE
 42 383 200 SHEETS 5 SQUARE

