

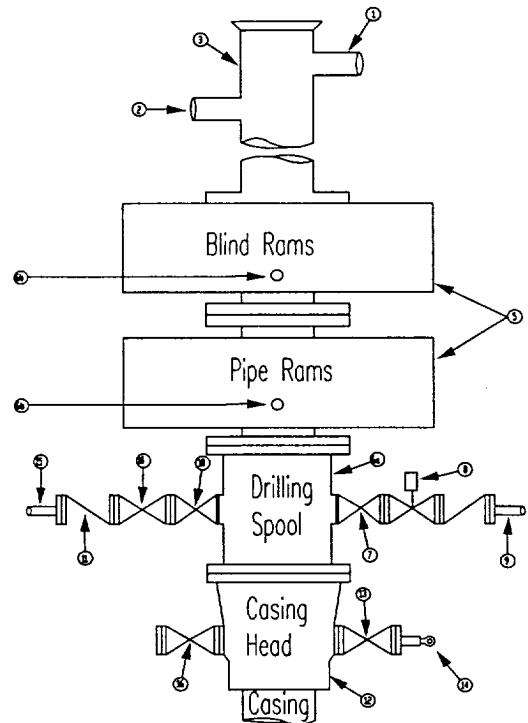
Mack Energy Corporation
Minimum Blowout Preventer Requirements
2000 psi Working Pressure
2 MWP
EXHIBIT #10

Stack Requirements

NO.	Items	Min. I.D.	Min. Nominal
1	Flowline		2"
2	Fill up line		2"
3	Drilling nipple		
4	Annular preventer		
5	Two single or one dual hydraulically operated rams		
6a	Drilling spool with 2" min. kill line and 3" min choke line outlets		2" Choke
6b	2" min. kill line and 3" min. choke line outlets in ram. (Alternate to 6a above)		
7	Valve Gate Plug	3 1/8	
8	Gate valve-power operated	3 1/8	
9	Line to choke manifold		3"
10	Valve Gate Plug	2 1/16	
11	Check valve	2 1/16	
12	Casing head		
13	Valve Gate Plug	1 13/16	
14	Pressure gauge with needle valve		
15	Kill line to rig mud pump manifold		2"

OPTIONAL

16	Flanged Valve	1 13/16	
----	---------------	---------	--



CONTRACTOR'S OPTION TO FURNISH:

- All equipment and connections above bradenhead or casinghead. Working pressure of preventers to be 2000 psi minimum.
- Automatic accumulator (80 gallon, minimum) capable of closing BOP in 30 seconds or less and, holding them closed against full rated working pressure.
- BOP controls, to be located near drillers' position.
- Kelly equipped with Kelly cock.
- Inside blowout preventer or its equivalent on derrick floor at all times with proper threads to fit pipe being used.
- Kelly saver-sub equipped with rubber casing protector at all times.
- Plug type blowout preventer tester.
- Extra set pipe rams to fit drill pipe in use on location at all times.
- Type RX ring gaskets in place of Type R.

MEC TO FURNISH:

- Bradenhead or casing head and side valves.
- Wear bushing. If required.

GENERAL NOTES:

- Deviations from this drawing may be made only with the express permission of MEC's Drilling Manager.
- All connections, valves, fittings, piping, etc., subject to well or pump pressure must be flanged (suitable clamp connections acceptable) and have minimum working pressure equal to rated working pressure of preventers up through choke valves must be full opening and suitable for high pressure mud service.
- Controls to be of standard design and each marked, showing opening and closing position
- Chokes will be positioned so as not to hamper or delay changing of choke beans. Replaceable parts for adjustable choke, or bean

- sizes, retainers, and choke wrenches to be conveniently located for immediate use.
- All valves to be equipped with hand-wheels or handles ready for immediate use.
- Choke lines must be suitably anchored.
- Handwheels and extensions to be connected and ready for use.
- Valves adjacent to drilling spool to be kept open. Use outside valves except for emergency.
- All seamless steel control piping (2000 psi working pressure) to have flexible joints to avoid stress. Hoses will be permitted.
- Casinghead connections shall not be used except in case of emergency.
- Do not use kill line for routine fill up operations.