

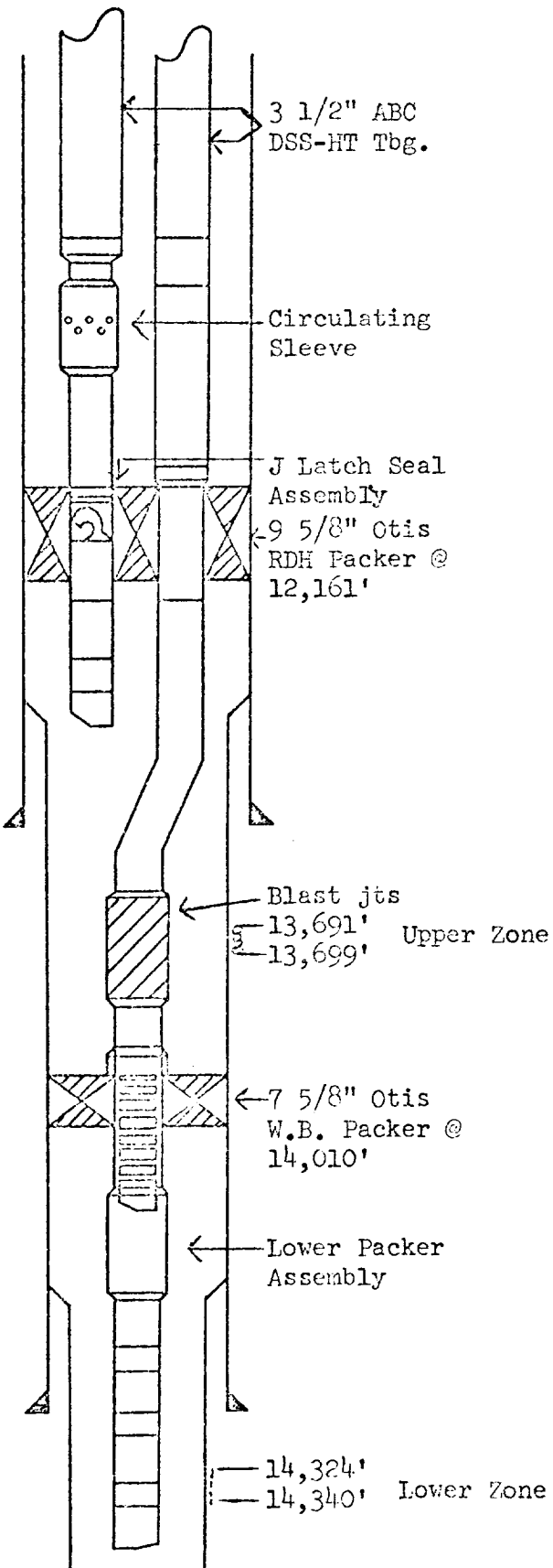
EL PASO NATURAL GAS COMPANY
 SUNDANCE FEDERAL NO. 1
 Sec 4, T-24-S, R-31-E
 Eddy County, New Mexico

RECEIVED

JUL 14 1972

O. C. C.
 ARTESIA, OFFICE

NOTE: Schematic not to scale



20" @ 658'
 Ce Circ

13 3/8" @ 4264'
 Ce Circ

Top 7 5/8" lnr @
 12,275'

9 5/8" @ 12,500'
 Top Ce @ 3680'

7 5/8" lnr @ 14,194'
 Ce Circ
 Top of Slots 14,264'
 Bottom of Slots 14,379'

PBTD 14,539'