

NM OIL CONS. COMMISSION
DRAWER DD UNITED STATES
ARTESIAN AREA OF THE INTERIOR
BUREAU OF LAND MANAGEMENT

SUBMIT IN TRIP
(Other instruct. reverse side)

Form approved.
Budget Bureau No. 1004-0130
Expires: December 31, 1991

C/SF

APPLICATION FOR PERMIT TO DRILL OR DEEPEN

1a. TYPE OF WORK
 DRILL DEEPEN

b. TYPE OF WELL
 OIL WELL GAS WELL OTHER SINGLE ZONE RECEIVED ZONE

2. NAME OF OPERATOR
 Bettis, Boyle & Stovall

3. ADDRESS AND TELEPHONE NO.
 P. O. Box 1240, Graham, TX 76450 817-549-0780

4. LOCATION OF WELL (Report location clearly and in accordance with any State requirements)
 At surface: 330' FNL & 660' FWL (NW/4 NW/4)
 At proposed prod. zone: same

14. DISTANCE IN MILES AND DIRECTION FROM NEAREST TOWN OR POST OFFICE*
 26 Mi. East of Loving, NM

15. DISTANCE FROM PROPOSED LOCATION TO NEAREST PROPERTY OR LEASE LINE, FT. (Also to nearest drlg. unit line, if any)
 330

16. NO. OF ACRES IN LEASE
 17. NO. OF ACRES ASSIGNED TO THIS WELL
 40

18. DISTANCE FROM PROPOSED LOCATION TO NEAREST WELL, DRILLING, COMPLETED, OR APPLIED FOR, ON THIS LEASE, FT.
 1320

19. PROPOSED DEPTH
 8500

20. ROTARY OR CABLE TOOLS
 Rotary

21. ELEVATIONS (Show whether DF, RT, GR, etc.)
 3479 GR

22. APPROX. DATE WORK WILL START*
 Aug. 1, 1994

5. LEASE DESIGNATION AND SERIAL NO.
 NM-29234

6. IF INDIAN, ALLOTTEE OR TRIBE NAME

7. UNIT AGREEMENT NAME

8. FARMOR LEASE NAME, WELL NO.
 Lotos Federal #7

9. API WELL NO.
 30-015-28044

10. FIELD AND POOL OR WILDCAT
 S.W. QUARTER SOUTH Delaware Wildcat

11. SEC., T., R., M., OR BLK. AND SURVEY OR AREA
 53818
 Sec. 8, T24S, R31E

12. COUNTY OR PARISH
 Eddy

13. STATE
 NM

PROPOSED CASING AND CEMENTING PROGRAM

Secretary's Potash

SIZE OF HOLE	GRADE, SIZE OF CASING	WEIGHT PER FOOT	SETTING DEPTH	QUANTITY OF CEMENT
17-1/2"	13-3/8, J-55	48#/ft.	600'	1000 sx-circ.
11"	8-5/8, J-55	24#, 32#	4100'	1600 sx-circ
7-7/8"	5-1/2, J-55	15.5#, 17#	8250'	400 sx; 400 sx-2nd stage

DV tool @ 6200'

- Attachments include:
 Surface Use Plan
 Exhibit A - BOP Program
 Exhibit B - Drilling Fluids Program
 Exhibit C - Location Plat
 Exhibit D - Well Site Layout

Part ID-1
7-29-94
New Loc + API

NOTE: Archaeological survey has been order from Mr. D.M. Griffiths of the Archaeological Survey Consultants out of Roswell and will be completed in approximately three weeks. Same will be forwarded to the District office upon receipt.

Approval subject to
General Requirements and
Special stipulations
Attached

IN ABOVE SPACE DESCRIBE PROPOSED PROGRAM: If proposal is to deepen, give data on present productive zone and proposed new productive zone. If proposal is to drill or deepen directionally, give pertinent data on subsurface locations and measured and true vertical depths. Give blowout preventer program, if any.

24. SIGNED Jim Eason TITLE Regulatory Analyst DATE 5/16/94

(This space for Federal or State office use)

PERMIT NO. _____ APPROVAL DATE _____
 Application approval does not warrant or certify that the applicant holds legal or equitable title to those rights in the subject lease which would entitle the applicant to conduct operations thereon.

CONDITIONS OF APPROVAL, IF ANY:
 APPROVED BY H.F. Sponderia TITLE For State Director DATE 7-7-94

*See Instructions On Reverse Side

Title 18 U.S.C. Section 1001, makes it a crime for any person knowingly and willfully to make to any department or agency of the United States any false, fictitious or fraudulent statements or representations as to any matter within its jurisdiction.

RECEIVED
MAY 20 10 03 AM '94

DISTRICT I
P.O. Box 1000, Hobbs, NM 88240

State of New Mexico
Energy, Minerals and Natural Resources Department

Form C-102
Revised February 10, 1994
Instruction on back
Submit to Appropriate District Office
State Lease - 4 Copies
Fee Lease - 3 Copies

DISTRICT II
P.O. Drawer DD, Artesia, NM 88210

OIL CONSERVATION DIVISION
P.O. Box 2088
Santa Fe, New Mexico 87504-2088

DISTRICT III
1000 Elv Brazos Rd., Artesia, NM 87410

AMENDED REPORT

WELL LOCATION AND ACREAGE DEDICATION PLAT

API Number 30-015-28044	Pool Code 53818	Pool Name Delaware Wildeat SAND OWES; DELAWARE, SOUTH
Property Code	Property Name LOTOS FEDERAL	Well Number 7
OGRID No. 002175	Operator Name BETTIS, BOYLE & STOVALL	Elevation 3479'

Surface Location

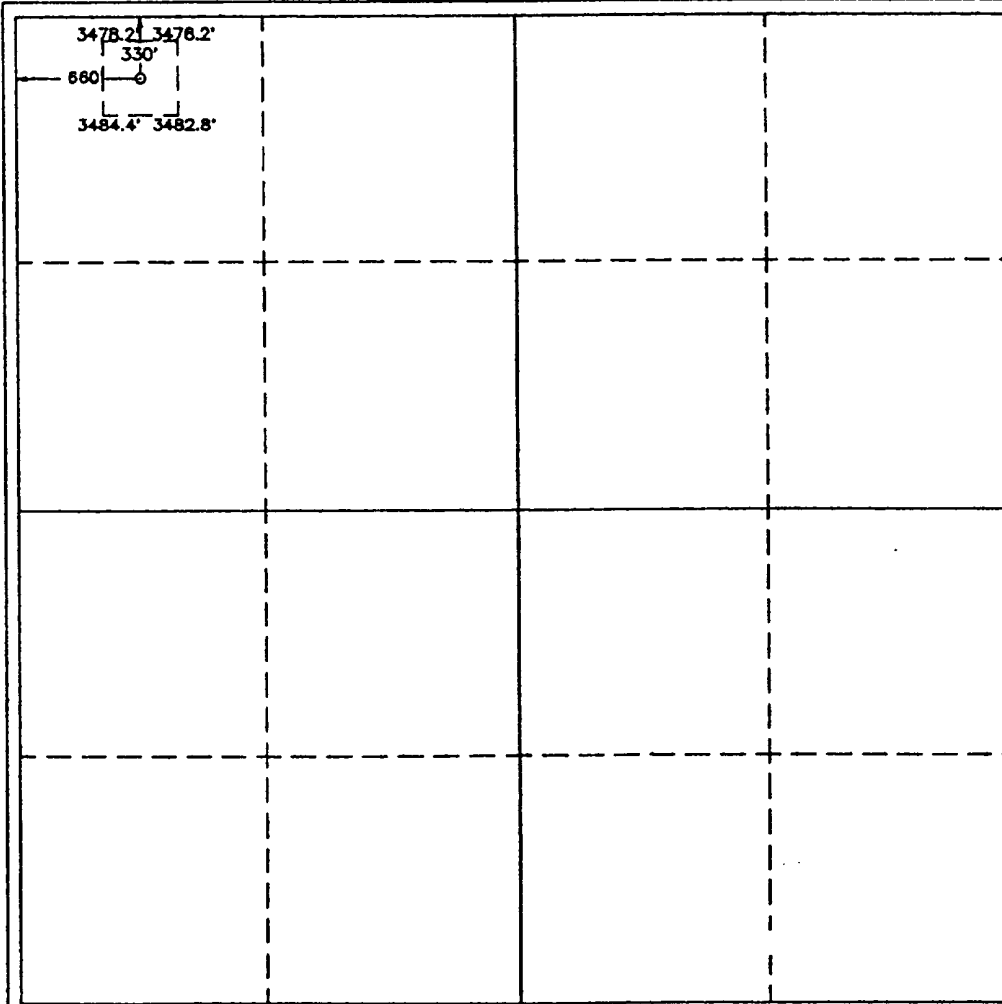
UL or lot No.	Section	Township	Range	Lot Idn	Feet from the	North/South line	Feet from the	East/West line	County
D	8	24 S	31 E		330	NORTH	660	WEST	EDDY

Bottom Hole Location If Different From Surface

UL or lot No.	Section	Township	Range	Lot Idn	Feet from the	North/South line	Feet from the	East/West line	County

Dedicated Acres 40	Joint or Infill	Consolidation Code	Order No.
-----------------------	-----------------	--------------------	-----------

NO ALLOWABLE WILL BE ASSIGNED TO THIS COMPLETION UNTIL ALL INTERESTS HAVE BEEN CONSOLIDATED OR A NON-STANDARD UNIT HAS BEEN APPROVED BY THE DIVISION



OPERATOR CERTIFICATION

I hereby certify that the information contained herein is true and complete to the best of my knowledge and belief.

Kim Ligon

Signature
Kim Ligon
Printed Name
Regulatory Analyst
Title
5/17/94
Date

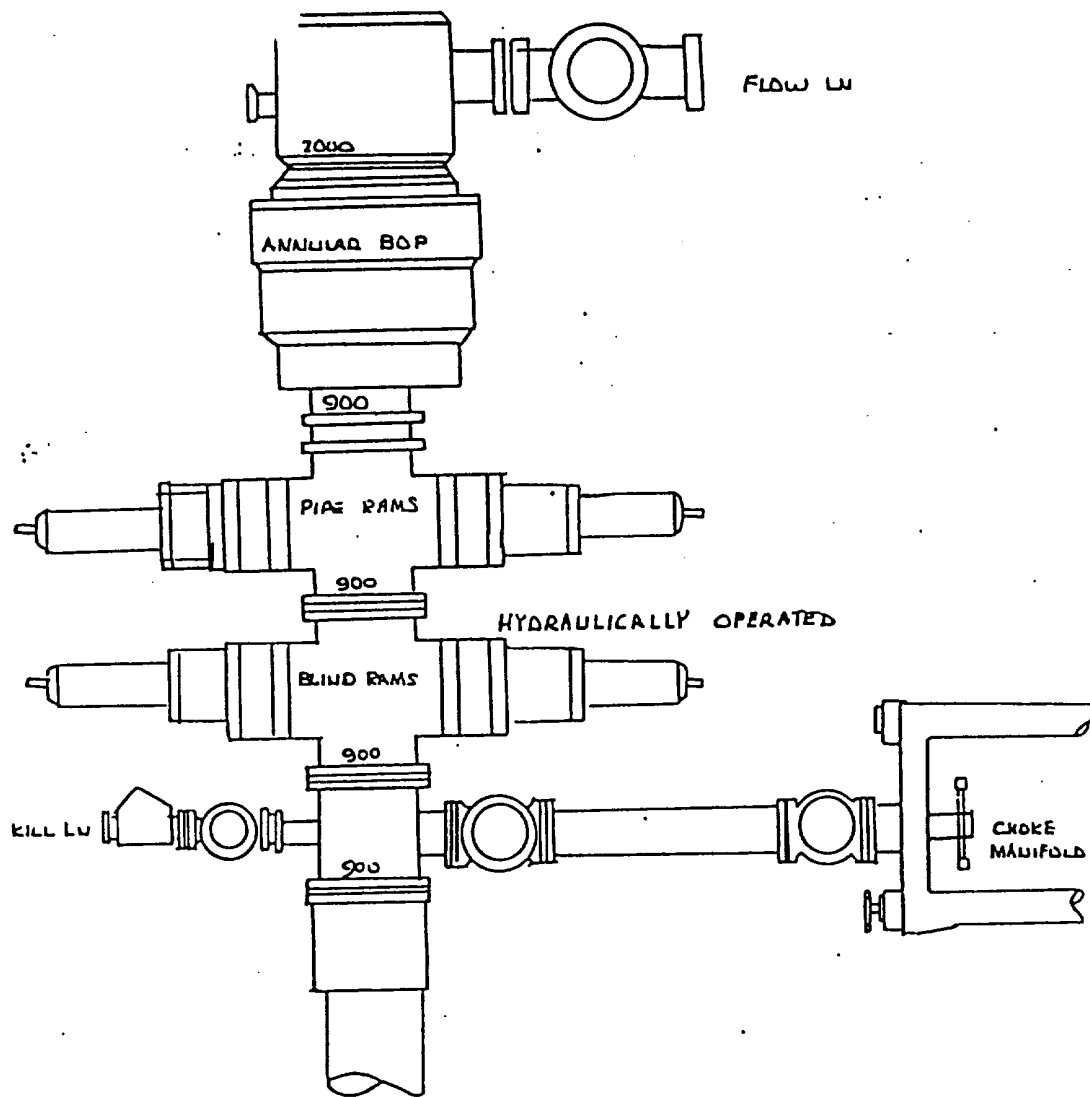
SURVEYOR CERTIFICATION

I hereby certify that the well location shown on this plat was plotted from field notes of actual surveys made by me or under my supervision, and that the same is true and correct to the best of my belief.

APRIL 25 1994
Date Surveyed

MEXICO
Signature & Seal of Professional Surveyor
7927

W.P. 94-0743
Certificate No. RON W. WEST, 676
RONALD J. EIDSON, 3239
GARY L. JONES, 7977



BOP

Exhibit "A"
 BOP Program
 Lotos Federal #7
 330' FNL & 660' FWL
 Sec. 9, T24S, R31E
 Eddy Co., NM