

30-045-23412

Burlington Resources

RECEIVED

DPNO: 708401 FOREMAN: 334 SWITCHER 361

2003 JAN -2 PM 1:11

WELLNAME: BURNT MESA 2A

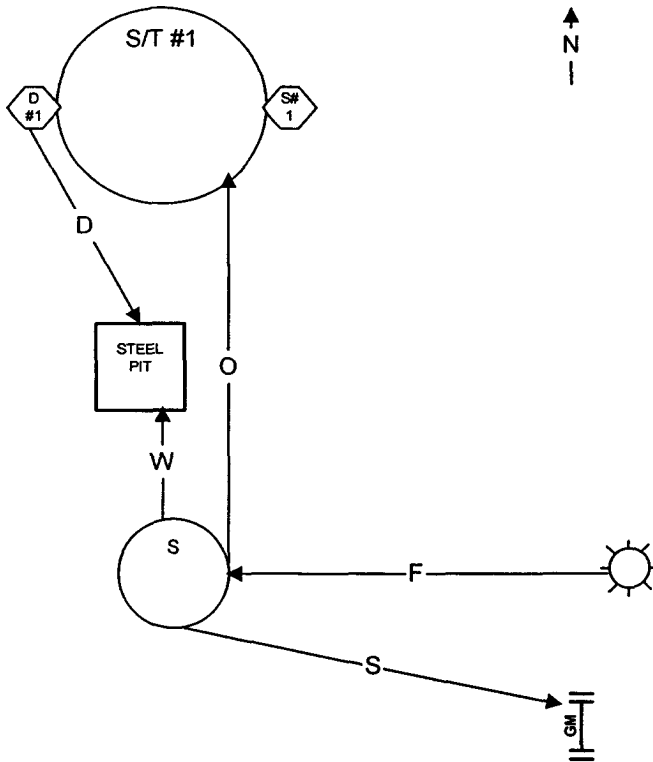
070 Farmington, NM

LEASE #: NMNM-2995

UNIT: O SECTION: 26 TOWNSHIP: 032N RANGE: 007W COUNTY: 045

REVISED DATE 12/31/2002

This site security plan is located at:
Burlington Resources
3401 30th Street
Farmington, NM 87402



Attachment to the Site Facility Diagram - Lease NM
General sealing of valves. Sales by tank gauging

PRODUCTION PHASE: All drain valves and all sales valves are sealed closed.

SALES PHASE: The tank from which sales are being made will be isolated by sealing closed the drain valve, fill valve, and the equalizer valve(s) during sales

DRAINING PHASE: The tank being drained will be isolated by sealing closed the sales valve, fill equalizer valve(s), and the drain valves on the other tanks.

SEALING OF VALVES

- Tank S/T1 - S#1.D#1, SEALED SHUT
- Tank S/T2 -
- Tank S/T3 -
- Tank S/T4 -