

UNITED STATES
DEPARTMENT OF THE INTERIOR
BUREAU OF LAND MANAGEMENT

FORM APPROVED
OMB No 1004-0137
Expires March 31, 2007

SUNDRY NOTICES AND REPORTS ON WELLS

Do not use this form for proposals to drill on to re-enter an abandoned well. Use Form 3160-3 (APD) for such proposals.

5. Lease Serial No. **NMSF-079298D**

6. Indian, Allottee, or Tribe Name

SUBMIT IN TRIPLICATE - Other Instructions on reverse side

7. If Unit or CA. Agreement Name and/or No
Rincon Unit NMNM 78406D

1. Type of Well
 Oil Well Gas Well Other

8. Well Name and No
Rincon Unit #413

2. Name of Operator
Chevron MidContinent, L.P.

9. API Well No
30-039-27824

3a. Address
P.O. Box 36366, Houston, TX 77236

3b. Phone No (include area code)
(281) 561-3599

10. Field and Pool, or Exploratory Area
Blanco Mesaverde / Basin Dakota

4. Location of Well (Footage, Sec., T., R., M., or Survey Description)
1980' FNL & 10' FWL / SEC 13 T27N R7W

11. County or Parish, State
Rio Arriba County, New Mexico

12. CHECK APPROPRIATE BOX(S) TO INDICATE NATURE OF NOTICE, REPORT, OR OTHER DATA

TYPE OF SUBMISSION	TYPE OF ACTION			
<input checked="" type="checkbox"/> Notice of Intent	<input type="checkbox"/> Acidize	<input type="checkbox"/> Deepen	<input type="checkbox"/> Production (Start/ Resume)	<input type="checkbox"/> Water Shut-off
<input type="checkbox"/> Subsequent Report	<input type="checkbox"/> Altering Casing	<input type="checkbox"/> Fracture Treat	<input type="checkbox"/> Reclamation	<input type="checkbox"/> Well Integrity
<input type="checkbox"/> Final Abandonment Notice	<input type="checkbox"/> Casing Repair	<input type="checkbox"/> New Construction	<input type="checkbox"/> Recomplete	<input type="checkbox"/> Other
	<input checked="" type="checkbox"/> Change Plans	<input type="checkbox"/> Plug and abandon	<input type="checkbox"/> Temporarily Abandon	
	<input type="checkbox"/> Convert to Injection	<input type="checkbox"/> Plug back	<input type="checkbox"/> Water Disposal	

13. Describe Proposed or Completed Operation (clearly state all pertinent details including estimated starting date of any proposed work and approximate duration thereof. If the proposal is to deepen directionally or recomplate horizontally, give subsurface locations and measured and true vertical depths or pertinent markers and sands Attach the Bond under which the work will performed or provide the Bond No. on file with the BLM/ BIA. Required subsequent reports shall be filed within 30 days following completion of the involved operations. If the operation results in a multiple completion or recompletion in a new interval, a Form 3160-4 shall be filed once testing has been completed. Final Abandonment Notice shall be filed only after all requirements, including reclamantion, have been completed, and the operator has determined that the site is ready for final inspection)

Chevron MidContinent, L.P. reports that we have chagned our drilling program for the above mentioned location. Please see the attached drilling program for your use and review. Should you have any questions or require any additional information, please feel free to contact us at anytime.

RCVD AUG2'07
OIL CONS. DIV.
DIST. 3

**SEE ATTACHED FOR
CONDITIONS OF APPROVAL**

14. I hereby certify that the foregoing is true and correct

Name (Printed/ Typed) **Jennifer Hudgens** Title **Regulatory Technician**
Signature *Jennifer Hudgens* Date **25-Jul-07**

THIS SPACE FOR FEDERAL OR STATE OFFICE USE

Approved by **Troy L Salyers** Title **Petroleum Engineer** Date **7/31/2007**

Conditions of approval, if any are attached. Approval of this notice does not warrant or certify that the applicant holds legal or equitable title to those rights in the subject lease which would entitle the applicant to conduct operations thereon
Office **FFO**

Title 18 U.S.C. Section 1001 AND Title 43 U.S.C. Section 1212, make it a crime for any person knowingly and willfully to make any department or agency of the United States any false, fictitious or fraudulent statements or representations as to any matter within its jurisdiction.

(Instructions on page 2)

NMOCD

Rincon Unit #413 MV/DK
 SW/4 NW/4, SEC 13 T27N R7W
 1980 FNL & 10 FWL
 Rio Arriba County, NM

EIGHT POINT DRILLING PLAN

1. ESTIMATED FORMATION TOPS (KB):

Formation	Depth
Ojo Alamo	2240
Kirtland	2590
Fruitland Coal	3007
Picture Cliffs	3209
Lewis	3293
Mesa Verde (Cliff House)	4875
Mesa Verde (Menefee)	4963
Mesa Verde (Point Lookout)	5445
Mancos	5834
Gallup	6600
Greenhorn	7365
Graneros	7448
Dakota	7590
Burro Canyon	7713
TD (4 1/2")	7764

2. NOTABLE ZONES AND PLAN FOR PROTECTION:

Gas or Oil Zones	Water Zones	Coal Zones
Fruitland		Fruitland Coal
Pictured Cliffs	Ojo Alamo	
	Kirtland	
Cliffhouse		
Menefee		
Point Lookout		
Dakota		

Water zones will be protected with casing, cement, and weighted mud. Fresh water found while drilling will be recorded. Oil or gas shows will be tested for commercial potential based on the engineer's recommendations.

3. PRESSURE CONTROL EQUIPMENT:

Maximum anticipated pressure is ~ 2700 psi.

Pressure control equipment shall be in accordance with BLM minimum standards.

One 11" 3M double ram preventer and one 11" 3M annular preventer will be used. The double ram preventer will be equipped with pipe rams on bottom and

**Rincon Unit #413 MV/DK
SW/4 NW/4, SEC 13 T27N R7W
1980 FNL & 10 FWL
Rio Arriba County, NM**

blind rams on top. All BOPs meet API 16D. One Shaffer 7 station accumulator, API 16E. One 3" 5M choke manifold. The choke and kill lines will be connected to outlets below the bottom rams, utilizing either the ram body outlet or a drilling spool with side outlets. Tests will be recorded on IADC log. Please refer to attached schematic. Test procedure and frequency shall be in accordance with BLM minimum standards for 3000 psi equipment, per BLM Oil & Gas Order #2.

4. SUPPLEMENTAL DRILLING EQUIPMENT AND CASING INFORMATION:

Casing Information: All casing will be new pipe and tested to 1500 psi.

Hole Size	O.D.	Weight (lb/ft)	Grade	Age	Connection	GL Setting Depth
12-1/4"	9-5/8"	36#	J-55	New	LTC	400'
8-3/4"	7"	20#	J-55	New	LTC	2900'
6-1/4"	4-1/2"	11.6#	N-80	New	LTC	7764'

*Centralizers will be placed on the bottom three joints and every fourth joint thereafter.

Surface casing will be cemented to the surface with ~258 cu. ft. (~215 sx) Premium cmt (1.2 ft³/sx yield, 15.6 ppg, & 5.2 gps) with 2% CaCl₂ and 1/4#/sx Poly-E-Flake. Volume based on 100% excess. We plan to run a minimum of at least 3 centralizers. A wiper plug will be displaced to within 20' of the shoe. WOC = 8 hours minimum. Surface casing will be tested to 500 psi for 15 minutes.

Intermediate casing will be cemented to surface with a single stage. Total cement = 745 cu. ft.. Volumes are calculated at 75% excess. If cement does not circulate to surface, then a temperature survey will be run to determine the actual cement top as needed. WOC = 8 hours minimum. Test to 1000 psi for 15 minutes.

Lead cement will be ~619cu. ft. (~328 sx) Premium Light w/ 5#/sx gilsonite, 12.4 ppg for a yield of 1.89 cu. ft. per sx.

Tail cement will be ~126 cu. ft. (~95 sx) 50/50 Poz Premium w/ 5#/sx gilsonite & 1/4#/sx Poly-E-Flake, 13.5 ppg for a yield of 1.32 Cu. ft. per sx.

Cementing equipment will include a guide shoe, and float collar will be run 20' off bottom. We plan on running at least 10 centralizers.

Production casing will be cemented up to 500' inside the intermediate casing with a single stage. Total cement = ~~1916 cu. ft.~~ 954 ft³. Volumes are calculated at

**Rincon Unit #413 MV/DK
SW/4 NW/4, SEC 13 T27N R7W
1980 FNL & 10 FWL
Rio Arriba County, NM**

75% excess. If necessary, a CBL will be run during completion operations to insure cement coverage inside the 7" intermediate casing. Casing will be pressure tested to 6000 psi during completion operations.

Cement will be ~954 cu. ft. (~729 sx) 50/50 Poz Premium w/ 1/4#/sx Poly-E-Flake, 0.4% Halad @-9, 0.1% HR-5, 13.5 ppg for a yield of 1.32 Cu. ft. per sx.

Cementing equipment will include a guide shoe, and float collar will be run 20' off bottom with a centralized shoe joint and next five joints. Centralizers will be run across the producing zones.

5. CIRCULATING MEDIUM AND MUD TYPE:

Depth	Type	Wt./ppg	Viscosity	Fluid Loss	pH
Spud – 400'	WBM	8.4 – 8.8	32 – 38	NC	9-9.5
400' – 2900'	WBM	8.4 – 9.0	28 – 42	10-12	9-10
2900' – TD	Air &/or Air/mist	n/a	n/a	n/a	n/a

Lost circulation and absorption material will be on location.

6. ANTICIPATED TYPE AND AMOUNT OF LOGGING, CORING, AND TESTING:

Open hole logs are planned. No cores or drill stem tests are planned.

7. EXPECTED BOTTOM HOLE PRESSURE AND ANY ANTICIPATED ABNORMAL PRESSURE, TEMPERATURES, OR OTHER HAZARDS (H₂S, STEAM, ETC.) AND ASSOCIATED CONTINGENCY PLANS:

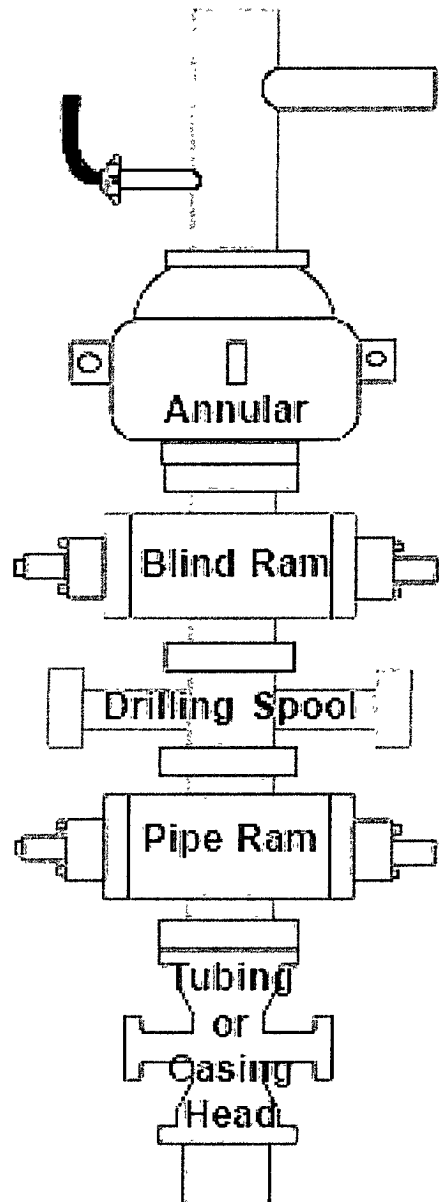
No abnormal pressures, temperatures, nor hydrogen sulfide are expected. Maximum pressure will be less than ~2700 psi.

8. OTHER:

It is expected it will take approximately ten (10) days to drill and ten (10) days to complete the well. Completion will start approximately one month after the spud and will include hydraulic fracturing.

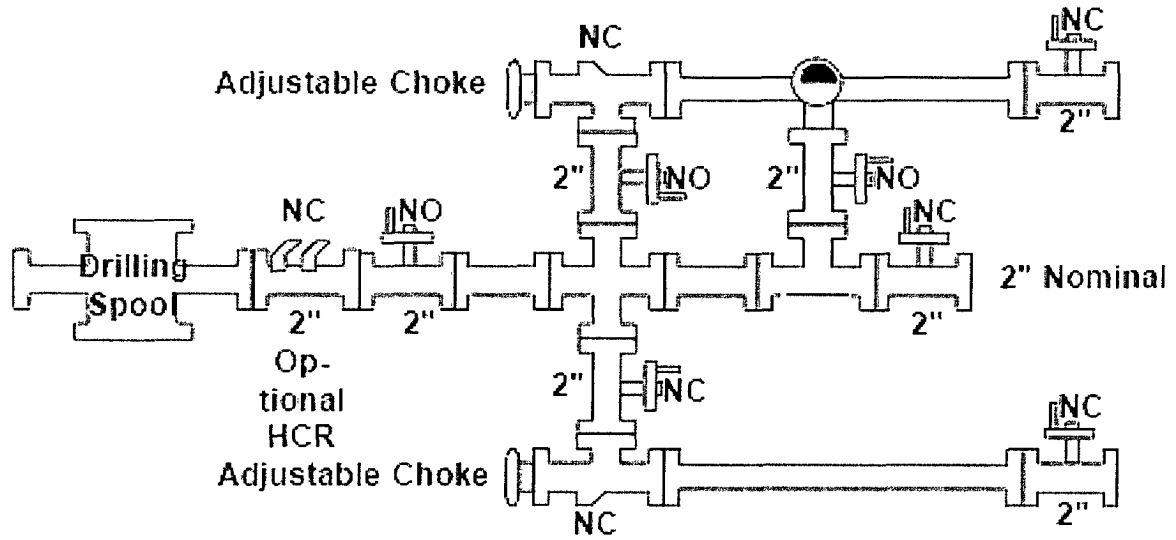
Rincon Unit #413 MV/DK
SW/4 NW/4, SEC 13 T27N R7W
1980 FNL & 10 FWL
Rio Arriba County, NM

CLASS III BOP SCHEMATIC



Rincon Unit #413 MV/DK
 SW/4 NW/4, SEC 13 T27N R7W
 1980 FNL & 10 FWL
 Rio Arriba County, NM

CLASS III CHOKE SCHEMATIC



NO Normally Open
 NC Normally Closed

DRILLING CONDITIONS OF APPROVAL

Operator: Chevron MidContinent L.P.
Lease No.: NMSF-079298-D
Well Name: Rincon Unit #413
Well Location: Sec. 13, T27N, R07W; 1980' FNL & 10' FWL

I. Centralizers to impart a swirling action around the casing (such as turbolators) are required just below and into the base of the lowest usable water zone.

II. Since no BOPE test pressures were proposed, it is recommended that Chevron MidContinent L.P. test the BOP and related equipment according to Onshore Order No. 2 *Minimum Standards and Enforcement Provisions For Well Control Equipment Testing*.

***Test BOPE to a minimum of 1000 psi based on an anticipated surface pressure of 992 psi. Report all BOPE and casing pressure test results on sundry form 3160-5.**