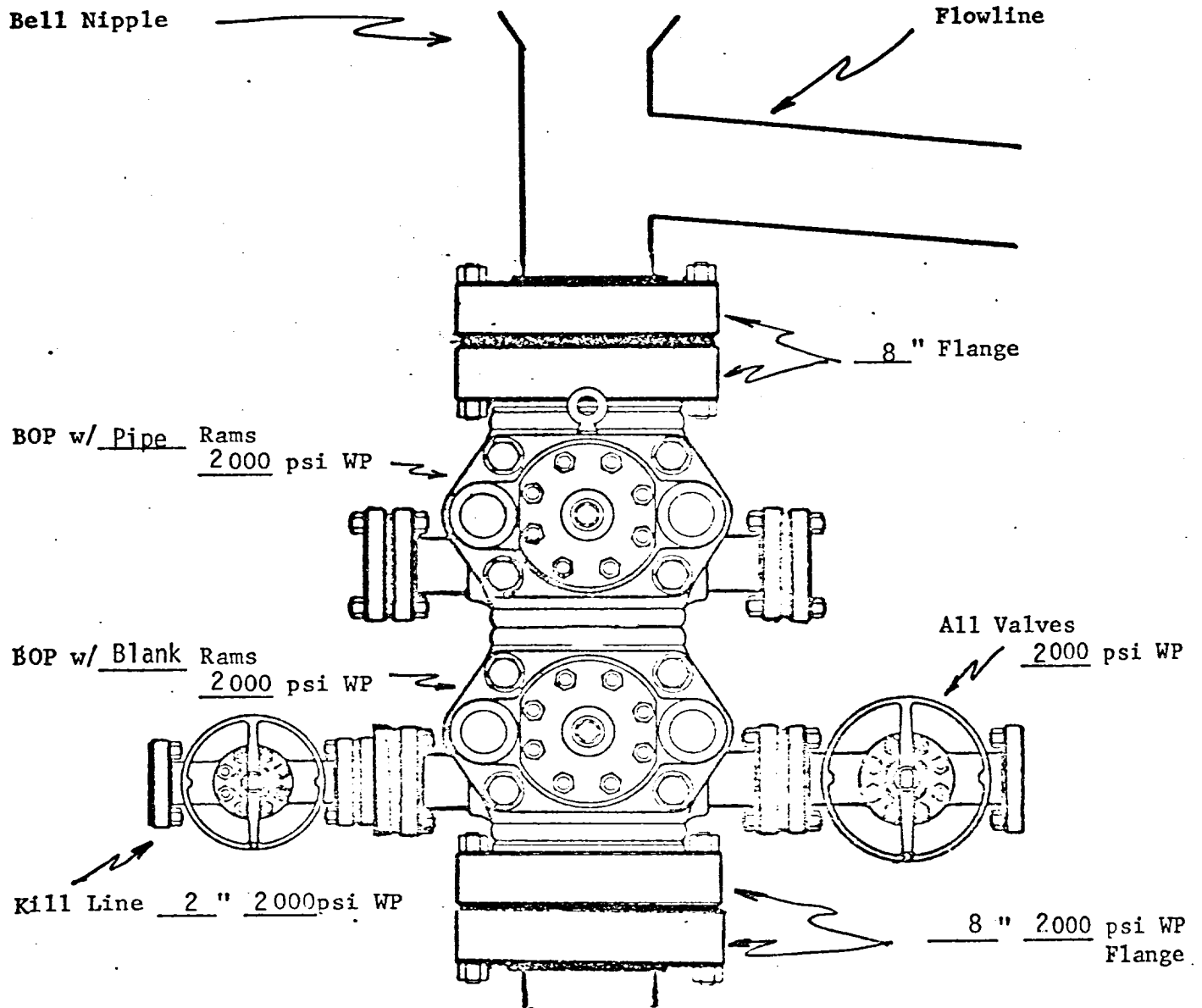


PROPOSED BOP STACK
7" CASING



MOBIL OIL CORPORATION
Navajo "H", Well #2
San Juan COUNTY,
New Mexico