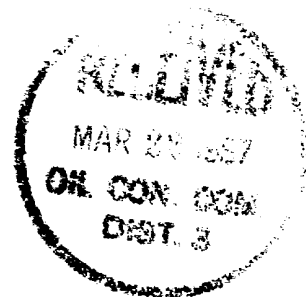


March 21, 1957



Oil Conservation Commission  
P. O. Box 371  
Santa Fe, New Mexico

Attention: Mr. A. L. Porter

Gentlemen:

On November 13, 1956, the Oil Conservation Commission issued Order No. R-917, Case No. 1161, granting approval for the completion of Northwest Production Corporation's Well "W" 1-7 in the Pictured Cliffs, Mesaverde and Dakota formations.

In accordance with the provisions of Order R-917, attached in duplicate are:

1. Diagrammatic sketch of the Triple Completion.
2. Packer Setting Affidavits.
3. Initial Tests for each completion.
4. Packer Leakage Tests.

Should you desire additional information regarding the completion of Well "W" 1-7, please advise.

Very truly yours,

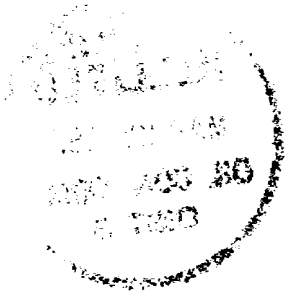
**NORTHWEST PRODUCTION CORPORATION**

ORIGINAL SIGNED BY  
W. R. JOHNSTON

**W. R. Johnston, Manager  
Production Operations**

WRJ/EP/at  
In duplicate

cc: NEDCC, Aztec, New Mexico, less encls. ✓  
EGBS, Farmington, New Mexico, less encls.



1000 1000 1000

1000 1000 1000  
1000 1000 1000  
1000 1000 1000

1000 1000 1000  
1000 1000 1000

1000 1000 1000  
1000 1000 1000  
1000 1000 1000  
1000 1000 1000

1000 1000 1000  
1000 1000 1000

1000 1000 1000

1000 1000 1000

1000 1000 1000

1000 1000 1000

1000 1000 1000  
1000 1000 1000

1000 1000 1000

1000 1000 1000

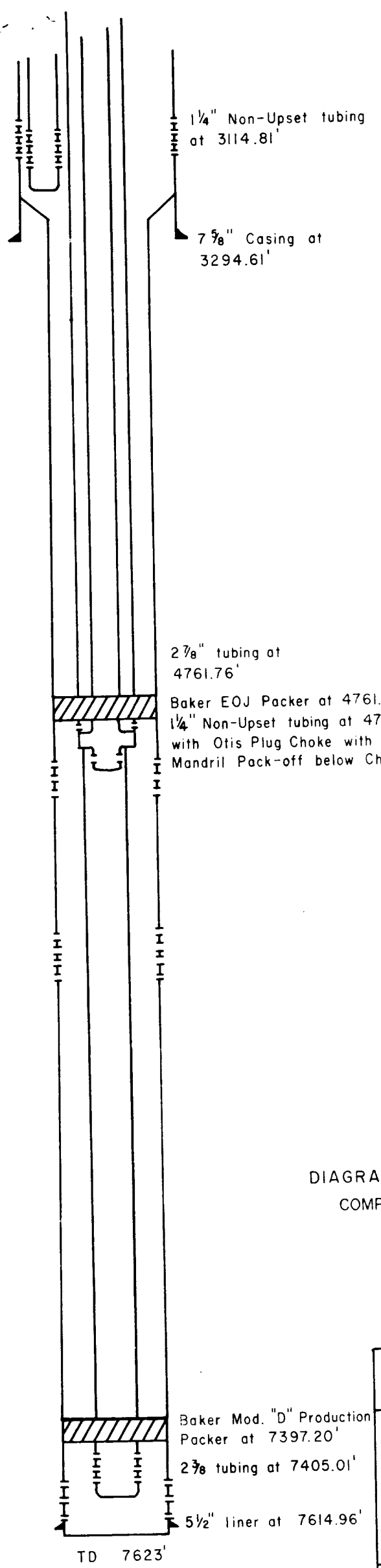
1000 1000 1000

1000 1000 1000

1000 1000 1000

1000 1000 1000  
1000 1000 1000

1000 1000 1000  
1000 1000 1000  
1000 1000 1000



PICTURED CLIFFS DATA :

Top of Pictured Cliffs 3054'  
 Bottom of Pictured Cliffs 3146'  
 Perforations : 3060-3092, 3110-3126

MESAVERDE DATA :

Top of Mesaverde 4800'  
 Bottom of Mesaverde 5480'  
 Perforation : 4808-4832, 5018-5028  
 5042-5052, 5208-5216  
 5286-5336, 5382-5388  
 5404-5408



DAKOTA DATA :

Top of Dakota 7420'  
 Dakota to TD of 7623'  
 Perforations : 7432-7442, 7470-7480  
 7504-7524, 7568-7576  
 7598-7607, OH 7615-7623

DIAGRAMATIC SKETCH OF TRIPLE GAS COMPLETION FOR "W" WELL 1-7

NORTHWEST PRODUCTION CORPORATION ALBUQUERQUE, NEW MEXICO	
APPLICATION FOR TRIPLE GAS COMPLETION OF "W" WELL 1-7 IN PICTURED CLIFFS, MESAVERDE AND DAKOTA FORMATION	
RIO ARriba COUNTY NEW MEXICO	CONTRACT # 152
Drawn. W.H. McGehey Approved. Roy Phillips	Scale. 400' = 1" Date. 3-12-57