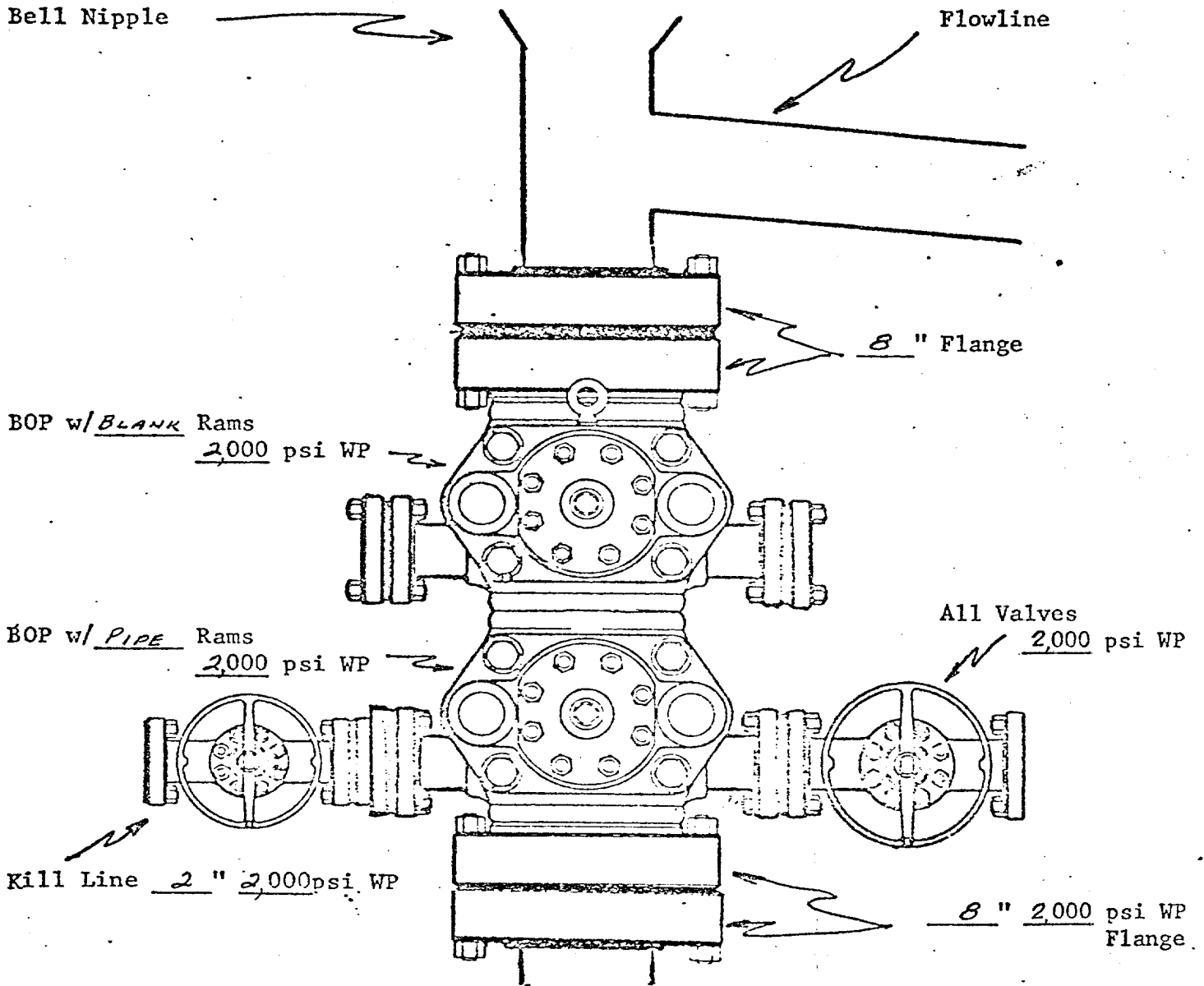


PROPOSED BOP STACK  
8 5/8 " CASING



MOBIL OIL CORPORATION  
WELL JICARILLA "B" 3-A  
RIO ARAIBA COUNTY,  
NEW MEXICO