

EPNG

Location Pit Closure

Record

1662

Well Name: Fikes Com #2 ✓

MTR#: 03-913

Oper #: 5997 Oper: Mention Oil + Gas

District: BALLARD

Co-ordinate Information:

Unit: F

Section: 27

Township: 25

Range: 6

* Pit Type (circle one): DEH LID SEP

Length: 21'

Width: 26' SQFT 702

Duck Netting: Yes No

Fill Dirt: Yes No

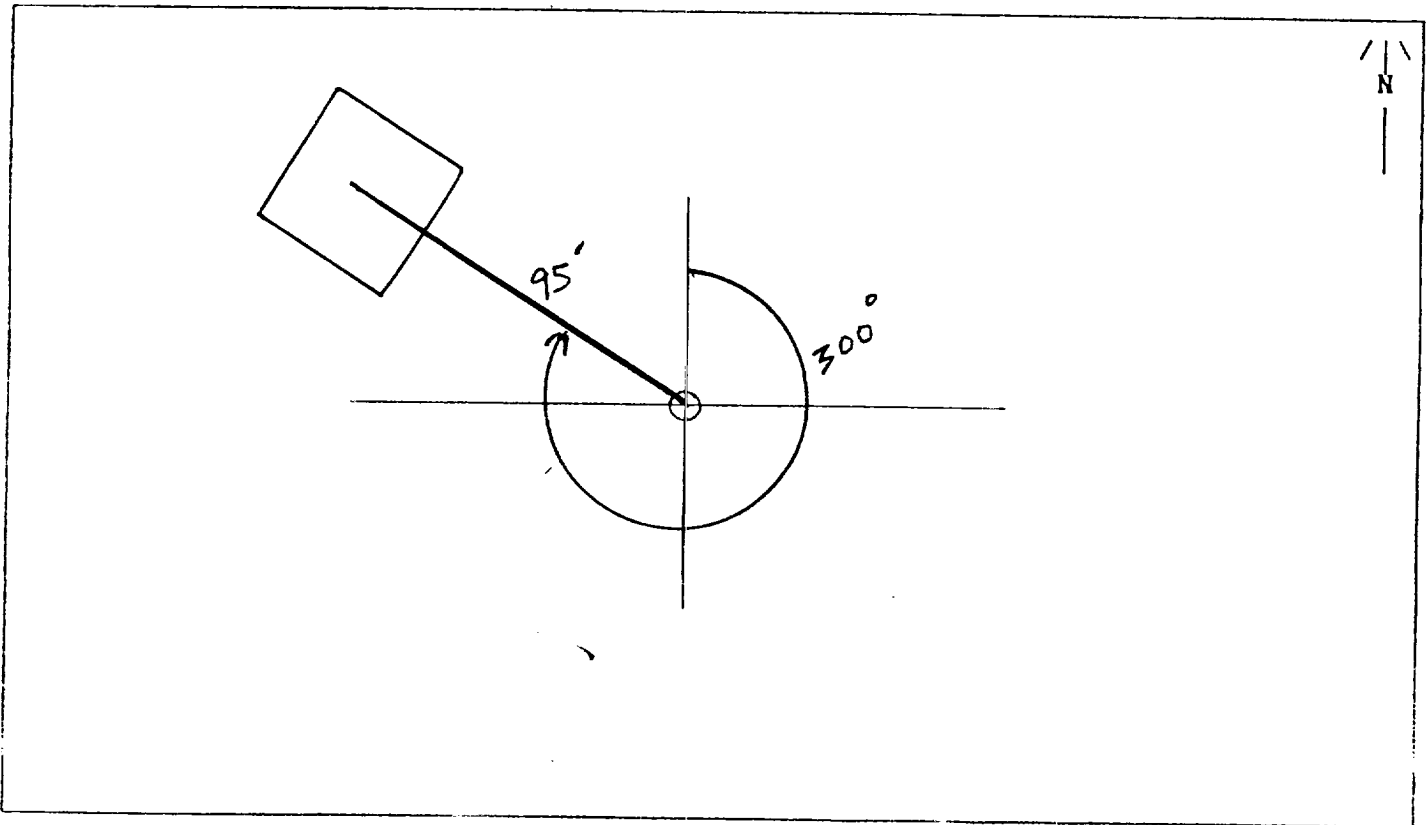
Approx. cu.yds.:

Vacuum Truck: Yes No

Approx. Bbls:

Date Started: 6-24-92

Date Completed: 6-24-92



Bell Quintana

Signature of Inspector

Remarks:

- DEH=Dehydrator Pit
- LID=Line Drip(Syphon)
- LOD=Location Drip
- SEP=Sperator