

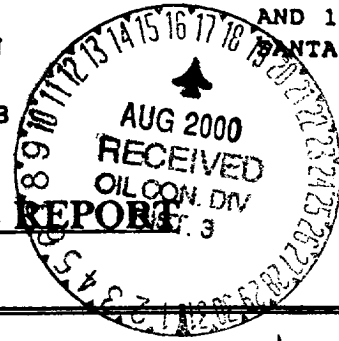
District I
P.O. Box 1980, Hobbs, NM
District II
P.O. Drawer DD, Artesia, NM 88211
District III
1000 Rio Brazos Rd, Aztec, NM 87410

State of New Mexico
Energy, Minerals and Natural Resources Department

OK

SUBMIT 1 COPY TO
APPROPRIATE
DISTRICT OFFICE
AND 1 COPY TO
SANTA FE OFFICE

OIL CONSERVATION DIVISION
P.O. Box 2088
Santa Fe, New Mexico 87504-2088



PIT REMEDIATION AND CLOSURE REPORT

Operator: KOCH Exploration Co. Telephone: 505) 334-9111
Address: P.O. Box 489 Aztec, NM 87410
Facility or: Moore 1
Well Name
Location: Unit or Qtr/Qtr Sec C sec 5 T30NR 8W county San Juan
Pit Type: Separator ___ Dehydrator ___ Other Drip
Land Type: BLM , State ___ , Fee ___ , Other ___

Pit Location: Pit dimensions: length 15', width 15', depth 4'
(Attach diagram) Reference: wellhead , other ___
Footage from reference: 40'
Direction from reference: 20 Degrees East North
 West South ___

Depth To Ground Water: Less than 50 feet (20 points)
(Vertical distance from 50 feet to 99 feet (10 points)
contaminants to seasonal Greater than 100 feet (0 Points) 0
high water elevation of
ground water)

Wellhead Protection Area: Yes (20 points)
(Less than 200 feet from a private No (0 points) 0
domestic water source, or; less than
1000 feet from all other water sources)

Distance To Surface Water: Less than 200 feet (20 points)
(Horizontal distance to perennial 200 feet to 1000 feet (10 points) 0
lakes, ponds, rivers, streams, creeks,
irrigation canals and ditches) Greater than 1000 feet (0 points)

RANKING SCORE (TOTAL POINTS): 0

Date Remediation Started: 5/29/97 Dated Completed: 5/29/97

Remediation Method: Excavation Approx. cubic yards _____
(Check all appropriate sections) Landfarmed Insitu Bioremediation

Other No action required

Remediation Location: Onsite Offsite
(ie. landfarmed onsite, name and location of offsite facility)

General Description Of Remedial Action: No action required

Ground Water Encountered: No Yes Depth _____

Final Pit: Closure Sampling: Sample location mid-pit bottom
(if multiple samples, attach sample results and diagram of sample locations and depths)

Sample depth 4'

Sample date 5/29/97 Sample time 1000

Sample Results

Benzene(ppm) ND

Total BTEX(ppm) 0

Field headspace(ppm) 5.0

TPH 770

Ground Water Sample: Yes No (If yes, attach sample results)

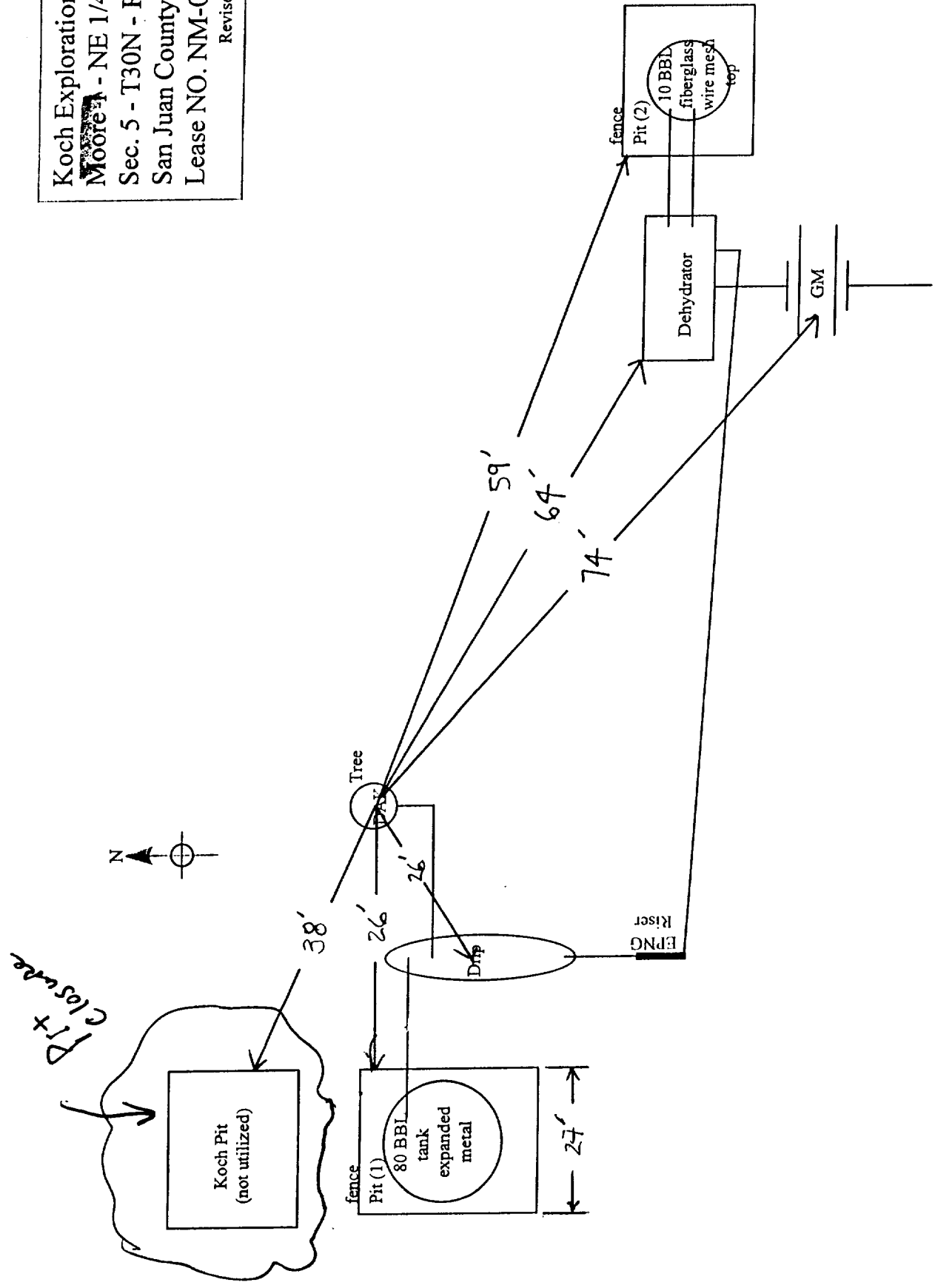
I HEREBY CERTIFY THAT THE INFORMATION ABOVE IS TRUE AND COMPLETE TO THE BEST OF MY KNOWLEDGE AND BELIEF

DATE 8/10/00

SIGNATURE Donald L. Johnson

PRINTED NAME DONALD L. JOHNSON
AND TITLE OPERATIONS Manager

Koch Exploration Co.
 Moore - NE 1/4 - NW 1/4
 Sec. 5 - T30N - R8W
 San Juan County N.M.
 Lease NO. NM-078580
 Revised - 2.97



This lease is subject to the site security plan for the
 Blanco gas field. The plan is located at:
 Koch Exploration Co.
 610 S Main
 Aztec, New Mexico

CES Summary of KOCH Earthen Pit Remediation Project for 5/29/97

Sample Number	Location	PID	Remarks
		(ppm)	
Howell 1			
1	mid-pit 2' below surface	2.5	lab number - HOW1-100
PID Readings			
in pit	mid pit bottom	0.0	hit bedrock at 2'
in pit	West bank bottom	0.0	
in pit	East bank bottom	0.0	
in pit	North bank bottom	0.0	
in pit	South bank bottom	0.0	

Moore 1			
1	mid-pit 4' below surface	5.0	lab number - MOOR1-101
PID Readings			
in pit	mid pit bottom	0.0	
in pit	West bank bottom	0.0	
in pit	West bank middle	0.0	
in pit	East bank bottom	0.0	
in pit	East bank middle	0.0	
in pit	North bank bottom	0.0	
in pit	North bank middle	0.0	
in pit	South bank bottom	0.0	
in pit	South bank middle	0.0	



ANALYTICAL REPORT

Attn: *Shawn Adams*
 Company: *Contract Environmental Services, Inc.*
 Address: *P.O. Box 3376*
 City, State: *Farmington, NM 87499*

Date: *3-Jun-97*
 COC No.: *6385*
 Sample No.: *14790*
 Job No.: *2-1000*

Project Name: *Koch Exploration - Moore 1*
 Project Location: *MOOR1-101; Mid Pit 4' deep*
 Sampled by: *DGM* Date: *29-May-97* Time: *10:00*
 Analyzed by: *HR* Date: *2-Jun-97*
 Sample Matrix: *Soil*

Laboratory Analysis

Parameter	Results as Received	Limit of Quantitation	Unit of Measure	Method
<i>Total Petroleum Hydrocarbons, TPH</i>	<i>770</i>	<i>25</i>	<i>mg/kg</i>	<i>EPA Method 418.1</i>

ND - Not Detected at Limit of Quantitation

Quality Assurance Report

Laboratory Fortified Blank/Spike Soil

Laboratory Identification	Analyzed Value	Acceptable Range	Unit of Measure
<i>Laboratory Fortified Blank Soil - QCBS2</i>	<i><25</i>	<i><25</i>	<i>mg/kg</i>
<i>Laboratory Fortified Spike Soil - QCSS1</i>	<i>830</i>	<i>828 - 1024</i>	<i>mg/kg</i>

Duplication

Laboratory Identification	% RSD	Limit % RSD
<i>14789-6385</i>	<i>< LOQ</i>	<i>15.0</i>

Approved by: *[Signature]*
 Date: *6/3/97*

OFF: (505) 325-5667



LAB: (505) 325-1556

ANALYTICAL REPORT

Attn: *Shawn Adams*
 Company: *Contract Environmental Services, Inc.*
 Address: *P.O. Box 3376*
 City, State: *Farmington, NM 87499*

Date: 10-Jun-97
 COC No.: 6385
 Sample No.: 14790
 Job No.: 2-1000

Project Name: *Koch Exploration - Moore 1*
 Project Location: *MOOR1-101; Midpit 4' deep*
 Sampled by: DGM Date: 29-May-97 Time: 10:00
 Analyzed by: HR Date: 4-Jun-97
 Sample Matrix: *Soil*

Laboratory Analysis

Parameter	Results as Received	Unit of Measure	Limit of Quantitation	Unit of Measure
<i>Benzene</i>	ND	ug/kg	1	ug/kg
<i>Toluene</i>	1	ug/kg	1	ug/kg
<i>Ethylbenzene</i>	1	ug/kg	1	ug/kg
<i>m,p-Xylene</i>	3	ug/kg	1	ug/kg
<i>o-Xylene</i>	1	ug/kg	1	ug/kg
	<i>TOTAL</i>	7		ug/kg

ND - Not Detected at Limit of Quantitation

Method - SW-846 EPA Method 8020A Aromatic Volatile Organics by Gas Chromatography

Approved by: *[Signature]*
 Date: *6/10/97*

P.O. BOX 2606 • FARMINGTON, NM 87499

- TECHNOLOGY BLENDING INDUSTRY WITH THE ENVIRONMENT -



657 W. Maple • P. O. Box 2606 • Farmington NM 87499
LAB: (505) 325-5667 • FAX: (505) 325-6256

CHAIN OF CUSTODY RECORD

6385

Date: 5/29/97 Page 1 of 1

Purchase Order No.: Job No.
Name: Don Johnson
Company: Koch Exploration Co. Dept.
Address: P.O. Box 489
City, State, Zip: Moore, NM 87410

Name: Shawn Adams Title
Company: Contract Environmental Services Inc.
Mailing Address: PO Box 3376
City, State, Zip: Farmington, NM 87499
Telephone No.: 325 1198 Telefax No.

Sampling Location: Howell 1, Moore 1
Sampler: DGR
ANALYSIS REQUESTED

RESULTS TO REPORT	Number of Containers	ANALYSIS REQUESTED	SAMPLE IDENTIFICATION			PRES.	LAB ID
			DATE	TIME	MATRIX		
4 - oz. Glass	✓	TPH 418.1	5/29/97	0840	soil	NONE	14789-6385
BRX 800	✓	TPH 418.1	5/29/97	1000	soil	NONE	14790-6385
PS SHOWN							
ROAMS 6/4/97							

Relinquished by: [Signature] Date/Time: 5/29/97 1600
 Relinquished by: [Signature] Date/Time:
 Relinquished by: [Signature] Date/Time:
 Method of Shipment: 24 hr TMA as promised 24-48 Hours 10 Working Days Special Instructions:
 Authorized by: [Signature] Date: 5/29/97
 (Client Signature Must Accompany Return)