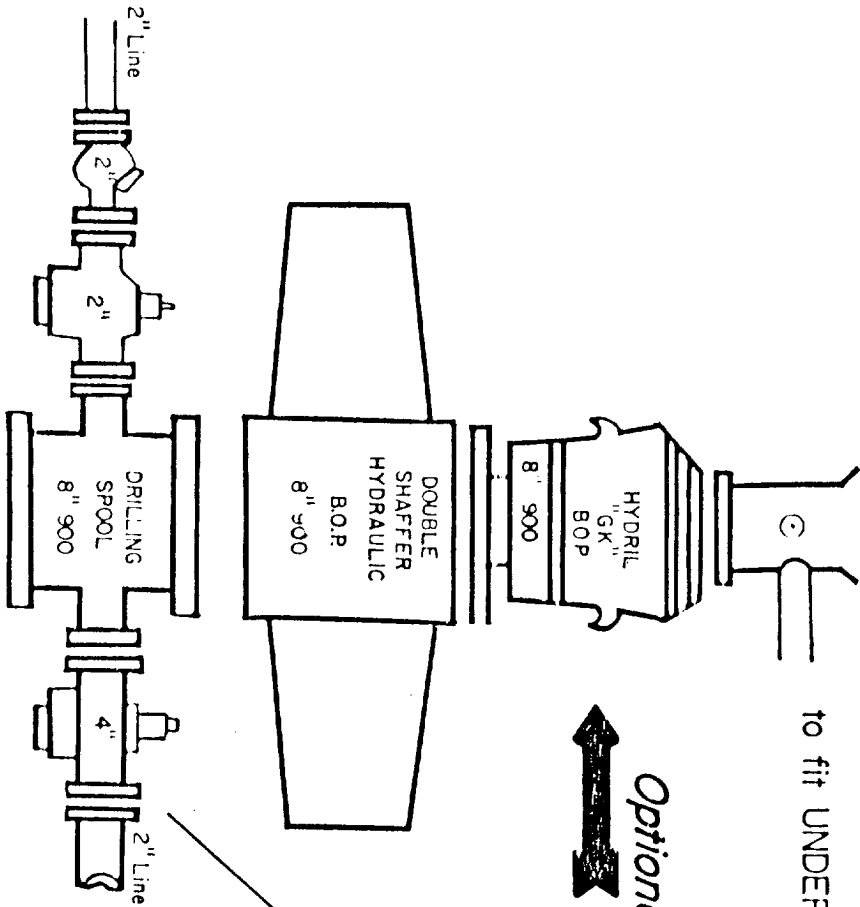
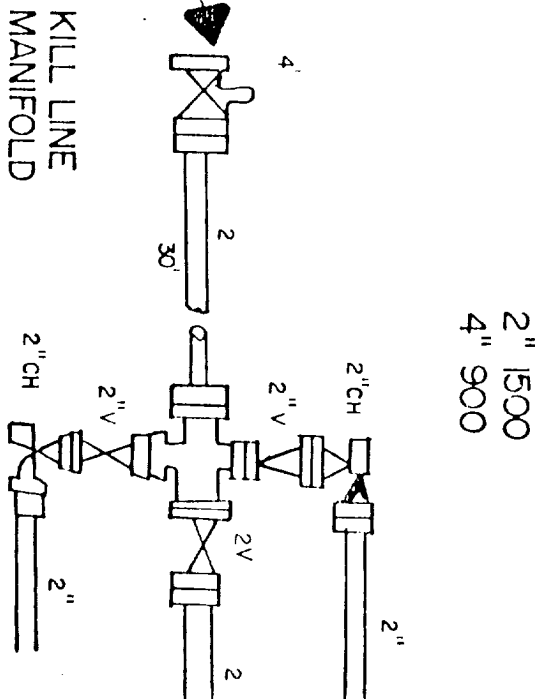


ASE ROTARY TABLE

Flow line will have to be made  
to fit UNDER Rotary.



*Optional*



2" 1500  
4" 900

RECEIVED

JUN 1 - 1982

O.C.D.  
HOBSB OFFICE