

Form 3160-5
(June 2019)

UNITED STATES
DEPARTMENT OF THE INTERIOR
BUREAU OF LAND MANAGEMENT

FORM APPROVED
OMB No. 1004-0137
Expires: October 31, 2021

SUNDRY NOTICES AND REPORTS ON WELLS
Do not use this form for proposals to drill or to re-enter an abandoned well. Use Form 3160-3 (APD) for such proposals.

SUBMIT IN TRIPLICATE - Other instructions on page 2		5. Lease Serial No.
1. Type of Well <input type="checkbox"/> Oil Well <input type="checkbox"/> Gas Well <input type="checkbox"/> Other		6. If Indian, Allottee or Tribe Name
2. Name of Operator		7. If Unit of CA/Agreement, Name and/or No.
3a. Address	3b. Phone No. (include area code)	8. Well Name and No.
4. Location of Well (Footage, Sec., T.,R.,M., or Survey Description)		9. API Well No.
		10. Field and Pool or Exploratory Area
		11. Country or Parish, State

12. CHECK THE APPROPRIATE BOX(ES) TO INDICATE NATURE OF NOTICE, REPORT OR OTHER DATA

TYPE OF SUBMISSION	TYPE OF ACTION			
<input type="checkbox"/> Notice of Intent	<input type="checkbox"/> Acidize	<input type="checkbox"/> Deepen	<input type="checkbox"/> Production (Start/Resume)	<input type="checkbox"/> Water Shut-Off
<input type="checkbox"/> Subsequent Report	<input type="checkbox"/> Alter Casing	<input type="checkbox"/> Hydraulic Fracturing	<input type="checkbox"/> Reclamation	<input type="checkbox"/> Well Integrity
<input type="checkbox"/> Final Abandonment Notice	<input type="checkbox"/> Casing Repair	<input type="checkbox"/> New Construction	<input type="checkbox"/> Recomplete	<input type="checkbox"/> Other
	<input type="checkbox"/> Change Plans	<input type="checkbox"/> Plug and Abandon	<input type="checkbox"/> Temporarily Abandon	
	<input type="checkbox"/> Convert to Injection	<input type="checkbox"/> Plug Back	<input type="checkbox"/> Water Disposal	

13. Describe Proposed or Completed Operation: Clearly state all pertinent details, including estimated starting date of any proposed work and approximate duration thereof. If the proposal is to deepen directionally or recomplete horizontally, give subsurface locations and measured and true vertical depths of all pertinent markers and zones. Attach the Bond under which the work will be performed or provide the Bond No. on file with BLM/BIA. Required subsequent reports must be filed within 30 days following completion of the involved operations. If the operation results in a multiple completion or recompletion in a new interval, a Form 3160-4 must be filed once testing has been completed. Final Abandonment Notices must be filed only after all requirements, including reclamation, have been completed and the operator has determined that the site is ready for final inspection.)

14. I hereby certify that the foregoing is true and correct. Name (Printed/Typed)		
	Title	
Signature	Date	

THE SPACE FOR FEDERAL OR STATE OFFICE USE

Approved by	Title	Date
Conditions of approval, if any, are attached. Approval of this notice does not warrant or certify that the applicant holds legal or equitable title to those rights in the subject lease which would entitle the applicant to conduct operations thereon.	Office	

Title 18 U.S.C Section 1001 and Title 43 U.S.C Section 1212, make it a crime for any person knowingly and willfully to make to any department or agency of the United States any false, fictitious or fraudulent statements or representations as to any matter within its jurisdiction.

(Instructions on page 2)

DISTRICT I
1625 N. French Dr., Hobbs, NM 88240
Phone: (575) 393-6161 Fax: (575) 393-0720
DISTRICT II
811 S. First St., Artesia, NM 88210
Phone: (575) 748-1283 Fax: (575) 748-9720
DISTRICT III
1000 Rio Brazos Rd., Aztec, NM 87410
Phone: (505) 334-6178 Fax: (505) 334-6170
DISTRICT IV
1220 S. St. Francis Dr., Santa Fe, NM 87505
Phone: (505) 476-3460 Fax: (505) 476-3462

State of New Mexico
Energy, Minerals & Natural Resources Department
OIL CONSERVATION DIVISION
1220 South St. Francis Dr.
Santa Fe, New Mexico 87505

Form C-102
Revised August 1, 2011
Submit one copy to appropriate
District Office
 AMENDED REPORT

WELL LOCATION AND ACREAGE DEDICATION PLAT

API Number 30-025-52133		Pool Code 97366	Pool Name Bilbrey Basin; Bone Spring, South
Property Code 333115	Property Name AMAZING 19 FED		Well Number 206H
OGRID No. 7377	Operator Name EOG RESOURCES, INC.		Elevation 3653'

Surface Location

UL or lot no.	Section	Township	Range	Lot Idn	Feet from the	North/South line	Feet from the	East/West line	County
A	19	22 S	32 E		920	NORTH	1051	EAST	LEA

Bottom Hole Location If Different From Surface

UL or lot no.	Section	Township	Range	Lot Idn	Feet from the	North/South line	Feet from the	East/West line	County
O	30	22 S	32 E		100	SOUTH	1650	EAST	LEA

Dedicated Acres 640	Joint or Infill	Consolidated Code	Order No.	LEASE WELL
-------------------------------	-----------------	-------------------	-----------	-------------------

No allowable will be assigned to this completion until all interests have been consolidated or a non-standard unit has been approved by the division.

SURFACE LOCATION
NEW MEXICO EAST
NAD 1983
X=734149' Y=503185'
LAT=N32.381778°
LONG=W103.708741°
NAD 1927
X=692966' Y=503125'
LAT=N32.381656°
LONG=W103.708253°
920' FNL 1051' FEL

KOP LOCATION
NEW MEXICO EAST
NAD 1983
X=733544' Y=504048'
LAT=N32.384160°
LONG=W103.710684°
NAD 1927
X=692361' Y=503988'
LAT=N32.384037°
LONG=W103.710196°
50' FNL 1650' FEL

FIRST TAKE POINT
NEW MEXICO EAST
NAD 1983
X=733544' Y=503998'
LAT=N32.384022°
LONG=W103.710684°
NAD 1927
X=692362' Y=503938'
LAT=N32.383900°
LONG=W103.710196°
100' FNL 1650' FEL

**LOWER MOST PERF./
BOTTOM HOLE LOCATION**
NEW MEXICO EAST
NAD 1983
X=733614' Y=493641'
LAT=N32.355552°
LONG=W103.710653°
NAD 1927
X=692431' Y=493581'
LAT=N32.355429°
LONG=W103.710166°
100' FSL 1650' FEL

OPERATOR CERTIFICATION
I hereby certify that the information contained herein is true and complete to the best of my knowledge and belief, and that this organization either owns a working interest or unleased mineral interest in the land including the proposed bottom hole location or has a right to drill this well at this location pursuant to a contract with an owner of such a mineral or working interest, or to voluntary pooling agreement or a compulsory pooling order heretofore entered by the division.

Star L Harrell 11/1/23
Signature Date

Star L Harrell
Print Name

star_harrell@eogresources.com
E-mail Address

SURVEYORS CERTIFICATION
I hereby certify that the well location shown on this plat was plotted from field notes of actual surveys made by me or under my supervision, and that the same is true and correct to the best of my belief.
SEPTEMBER 11, 2023
Date of Survey
Signature and Seal of Professional Surveyor:

Ralph B. Chustz, Jr.

**Revised Permit Information 10/24/2023:**

Well Name: Amazing 19 Fed 206H

Location: SHL: 920' FNL & 1051' FEL, Section 19, T-22-S, R-32-E, Lea Co., N.M.

BHL: 100' FSL & 1650' FEL, Section 30, T-22-S, R-32-E, Lea Co., N.M.

Casing Program A:

Hole Size	Interval MD		Interval TVD		Csg OD	Weight	Grade	Conn
	From (ft)	To (ft)	From (ft)	To (ft)				
16"	0	940	0	940	13-3/8"	54.5#	J-55	STC
11"	0	5,253	0	5,140	9-5/8"	40#	J-55	LTC
6-3/4"	0	19,277	0	8,972	5-1/2"	17#	HCP-110	LTC

Variance is requested to waive the centralizer requirements for the 9-5/8" casing in the 11" hole size. An expansion additive will be utilized, in the cement slurry, for the entire length of the 11" hole interval to maximize cement bond and zonal isolation.

Variance is also requested to waive any centralizer requirements for the 5-1/2" casing in the 6-3/4" hole size. An expansion additive will be utilized, in the cement slurry, for the entire length of the 6-3/4" hole interval to maximize cement bond and zonal isolation.

EOG requests permission to allow deviation from the 0.422" annulus clearance requirement for the intermediate (salt) section from Onshore Order #2 under the following conditions:

- The variance is not applicable within the Potash Boundaries or Capitan Reef areas.
- Operator takes responsibility to get casing to set point in the event that the clearance causes stuck pipe issues.

Cementing Program:

Depth	No. Sacks	Wt. ppg	Yld Ft3/sk	Slurry Description
940' 13-3/8"	240	13.5	1.73	Lead: Class C + 4.0% Bentonite Gel + 0.5% CaCl ₂ + 0.25 lb/sk Cello-Flake (TOC @ Surface)
	160	14.8	1.34	Tail: Class C + 0.6% FL-62 + 0.25 lb/sk Cello-Flake + 0.2% Sodium Metasilicate (TOC @ 740')
5,140' 9-5/8"	470	12.7	2.22	Lead: Class C + 10% NaCl + 6% Bentonite Gel + 3% MagOx (TOC @ Surface)
	100	14.8	1.32	Tail: Class C + 10% NaCl + 3% MagOx (TOC @ 4,110')
19,277' 5-1/2"	260	10.5	3.21	Lead: Class H + 0.4% Halad-344 + 0.35% HR-601 + 3% Microbond (TOC @ 4,410')
	750	13.2	1.52	Tail: Class H + 5% NEX-020 + 0.2% NAC-102 + 0.15% NAS-725 + 0.5% NFL-549 + 0.2% NFP-703 + 1% NBE-737 + 0.3% NRT-241 (TOC @ 8600')



Amazing 19 Fed 206H

Additive	Purpose
Bentonite Gel	Lightweight/Lost circulation prevention
Calcium Chloride	Accelerator
Cello-flake	Lost circulation prevention
Sodium Metasilicate	Accelerator
MagOx	Expansive agent
Pre-Mag-M	Expansive agent
Sodium Chloride	Accelerator
FL-62	Fluid loss control
Halad-344	Fluid loss control
Halad-9	Fluid loss control
HR-601	Retarder
Microbond	Expansive Agent

Note: Cement volumes based on bit size plus at least 25% excess in the open hole plus 10% excess in the cased-hole overlap section.

Mud Program:

Depth (TVD)	Type	Weight (ppg)	Viscosity	Water Loss
0 – 940'	Fresh - Gel	8.6-8.8	28-34	N/c
940' – 5,140'	Brine	8.6-8.8	28-34	N/c
5,140' – 19,277'	Oil Base	8.8-9.5	58-68	N/c - 6



TUBING REQUIREMENTS

EOG respectfully requests an exception to the following NMOCD rule:

- 19.15.16.10 Casing AND TUBING REQUIREMENTS:
J (3): “The operator shall set tubing as near the bottom as practical and tubing perforations shall not be more than 250 feet above top of pay zone.”

With horizontal flowing and gas lifted wells an end of tubing depth placed at or slightly above KOP is a conservative way to ensure the tubing stays clean from debris, plugging, and allows for fewer well interventions post offset completion. The deeper the tubulars are run into the curve, the higher the probability is that the tubing will become stuck in sand and or well debris as the well produces over time. An additional consideration for EOT placement during artificial lift installations is avoiding the high dog leg severity and inclinations found in the curve section of the wellbore to help improve reliability and performance. Dog leg severity and inclinations tend not to hamper gas lifted or flowing wells, but they do effect other forms of artificial lift like rod pump or ESP (electric submersible pump). Keeping the EOT above KOP is an industry best practice for those respective forms of artificial lift.

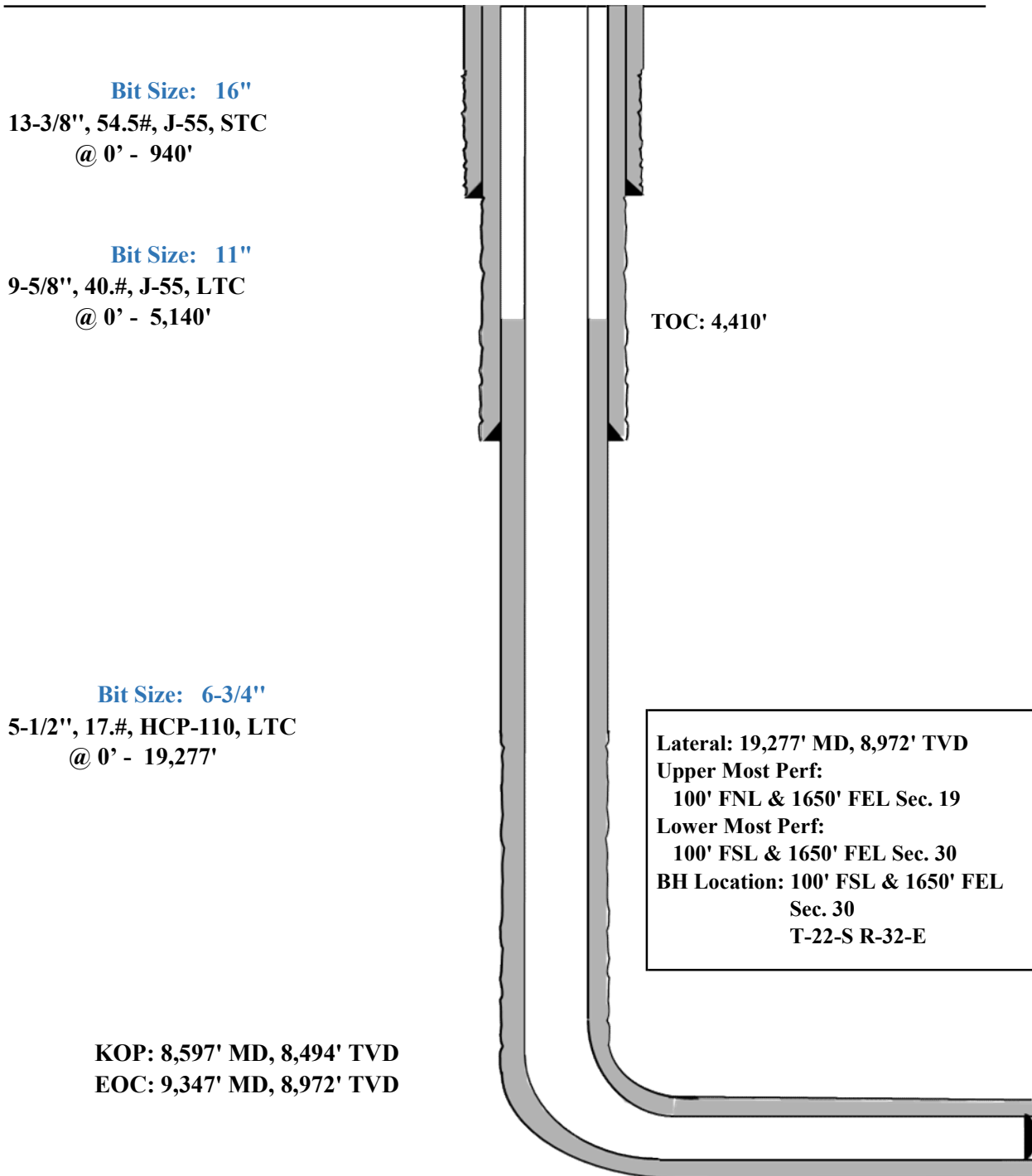


920' FNL
1051' FEL
Section 19
T-22-S, R-32-E

Revised Wellbore A:

API: 30-025-52133

KB: 3678'
GL: 3653'



**Revised Permit Information 10/24/2023:**

Well Name: Amazing 19 Fed 206H

Location: SHL: 920' FNL & 1051' FEL, Section 19, T-22-S, R-32-E, Lea Co., N.M.

BHL: 100' FSL & 1650' FEL, Section 30, T-22-S, R-32-E, Lea Co., N.M.

Casing Program B:

Hole Size	Interval MD		Interval TVD		Csg OD	Weight	Grade	Conn
	From (ft)	To (ft)	From (ft)	To (ft)				
13-1/2"	0	940	0	940	10-3/4"	40.5#	J-55	STC
9-7/8"	0	5,253	0	5,140	8-5/8"	32#	J-55	BTC-SC
6-3/4"	0	19,277	0	8,972	5-1/2"	17#	HCP-110	LTC

Cementing Program:

Depth	No. Sacks	Wt. ppg	Yld Ft3/sk	Slurry Description
940' 10-3/4"	320	13.5	1.73	Lead: Class C + 4.0% Bentonite Gel + 0.5% CaCl ₂ + 0.25 lb/sk Cello-Flake (TOC @ Surface)
	110	14.8	1.34	Tail: Class C + 0.6% FL-62 + 0.25 lb/sk Cello-Flake + 0.2% Sodium Metasilicate (TOC @ 740')
5,140' 8-5/8"	410	12.7	2.22	Lead: Class C + 10% NaCl + 6% Bentonite Gel + 3% MagOx (TOC @ Surface)
	650	14.8	1.32	Tail: Class C + 10% NaCl + 3% MagOx (TOC @ 4,110')
19,277' 5-1/2"	410	10.5	3.21	Lead: Class H + 0.4% Halad-344 + 0.35% HR-601 + 3% Microbond (TOC @ 4,410')
	1040	13.2	1.52	Tail: Class H + 5% NEX-020 + 0.2% NAC-102 + 0.15% NAS-725 + 0.5% NFL-549 + 0.2% NFP-703 + 1% NBE-737 + 0.3% NRT-241 (TOC @ 8600')



Amazing 19 Fed 206H

Variance is requested to waive the centralizer requirements for the 8-5/8" casing in the 9-7/8" hole size. An expansion additive will be utilized, in the cement slurry, for the entire length of the 9-7/8" hole interval to maximize cement bond and zonal isolation.

Variance is also requested to waive any centralizer requirements for the 5-1/2" casing in the 6-3/4" hole size. An expansion additive will be utilized, in the cement slurry, for the entire length of the 6-3/4" hole interval to maximize cement bond and zonal isolation.

EOG requests permission to allow deviation from the 0.422" annulus clearance requirement for the intermediate (salt) section from Onshore Order #2 under the following conditions:

- The variance is not applicable within the Potash Boundaries or Capitan Reef areas.
- Operator takes responsibility to get casing to set point in the event that the clearance causes stuck pipe issues.



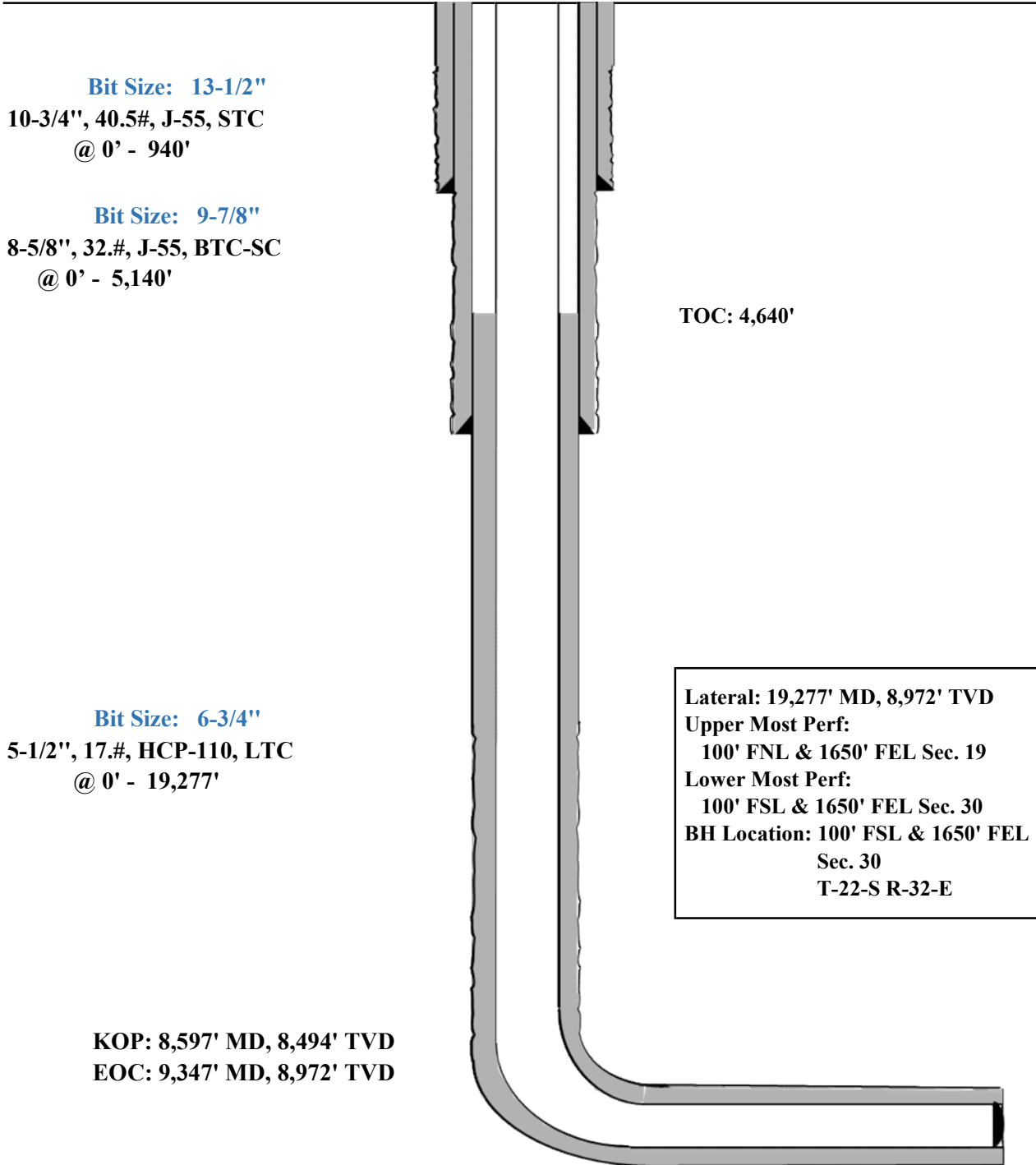
Amazing 19 Fed 206H

920'
1051'
Section 19
T-22-S, R-32-E

Revised Wellbore B:

API: 30-025-52133

KB: 3678'
GL: 3653'





GEOLOGIC NAME OF SURFACE FORMATION:

Permian

ESTIMATED TOPS OF IMPORTANT GEOLOGICAL MARKERS:

Rustler	831'
Tamarisk Anhydrite	912'
Top of Salt	1,168'
Base of Salt	4,808'
Lamar	5,044'
Bell Canyon	5,071'
Cherry Canyon	6,102'
Brushy Canyon	8,095'
Bone Spring Lime	9,240'
Leonard (Avalon) Shale	9,313'
1st Bone Spring Sand	10,191'
2nd Bone Spring Shale	10,355'
2nd Bone Spring Sand	10,727'
3rd Bone Spring Carb	11,164'
3rd Bone Spring Sand	11,814'
Wolfcamp	12,238'
Penn	14,391'
--	-----

ESTIMATED DEPTHS OF ANTICIPATED FRESH WATER, OIL OR GAS:

Upper Permian Sands	0- 400'	Fresh Water
Bell Canyon	5,071'	Oil
Cherry Canyon	6,102'	Oil
Brushy Canyon	8,095'	Oil
Leonard (Avalon) Shale	9,313'	Oil
1st Bone Spring Sand	10,191'	Oil
2nd Bone Spring Shale	10,355'	Oil
2nd Bone Spring Sand	10,727'	Oil



Midland

Lea County, NM (NAD 83 NME)

Amazing 19 Fed

#206H

OH

Plan: Plan #0.1 RT

Standard Planning Report

31 October, 2023



Planning Report

Database:	PEDM	Local Co-ordinate Reference:	Well #206H
Company:	Midland	TVD Reference:	kb = 25' @ 3678.0usft
Project:	Lea County, NM (NAD 83 NME)	MD Reference:	kb = 25' @ 3678.0usft
Site:	Amazing 19 Fed	North Reference:	Grid
Well:	#206H	Survey Calculation Method:	Minimum Curvature
Wellbore:	OH		
Design:	Plan #0.1 RT		

Project	Lea County, NM (NAD 83 NME)		
Map System:	US State Plane 1983	System Datum:	Mean Sea Level
Geo Datum:	North American Datum 1983		
Map Zone:	New Mexico Eastern Zone		

Site	Amazing 19 Fed				
Site Position:		Northing:	503,794.00 usft	Latitude:	32° 23' 0.425 N
From:	Map	Easting:	734,151.00 usft	Longitude:	103° 42' 31.400 W
Position Uncertainty:	0.0 usft	Slot Radius:	13-3/16 "		

Well	#206H					
Well Position	+N/-S	0.0 usft	Northing:	503,185.00 usft	Latitude:	32° 22' 54.399 N
	+E/-W	0.0 usft	Easting:	734,149.00 usft	Longitude:	103° 42' 31.465 W
Position Uncertainty	0.0 usft		Wellhead Elevation:	usft	Ground Level:	3,653.0 usft
Grid Convergence:	0.33 °					

Wellbore	OH				
Magnetics	Model Name	Sample Date	Declination (°)	Dip Angle (°)	Field Strength (nT)
	IGRF2020	10/31/2023	6.34	59.94	47,323.88579642

Design	Plan #0.1 RT			
Audit Notes:				
Version:	Phase:	PLAN	Tie On Depth:	0.0
Vertical Section:	Depth From (TVD) (usft)	+N/-S (usft)	+E/-W (usft)	Direction (°)
	0.0	0.0	0.0	183.21

Plan Survey Tool Program	Date	10/31/2023		
Depth From (usft)	Depth To (usft)	Survey (Wellbore)	Tool Name	Remarks
1	0.0	19,276.9 Plan #0.1 RT (OH)	EOG MWD+IFR1 MWD + IFR1	



Planning Report

Database:	PEDM	Local Co-ordinate Reference:	Well #206H
Company:	Midland	TVD Reference:	kb = 25' @ 3678.0usft
Project:	Lea County, NM (NAD 83 NME)	MD Reference:	kb = 25' @ 3678.0usft
Site:	Amazing 19 Fed	North Reference:	Grid
Well:	#206H	Survey Calculation Method:	Minimum Curvature
Wellbore:	OH		
Design:	Plan #0.1 RT		

Plan Sections										
Measured Depth (usft)	Inclination (°)	Azimuth (°)	Vertical Depth (usft)	+N/-S (usft)	+E/-W (usft)	Dogleg Rate (°/100usft)	Build Rate (°/100usft)	Turn Rate (°/100usft)	TFO (°)	Target
0.0	0.00	0.00	0.0	0.0	0.0	0.00	0.00	0.00	0.00	
1,356.0	0.00	0.00	1,356.0	0.0	0.0	0.00	0.00	0.00	0.00	
1,933.1	11.54	324.97	1,929.2	47.4	-33.3	2.00	2.00	0.00	324.97	
6,621.5	11.54	324.97	6,522.8	815.6	-571.7	0.00	0.00	0.00	0.00	
7,198.6	0.00	0.00	7,096.0	863.0	-605.0	2.00	-2.00	0.00	180.00	
8,597.1	0.00	0.00	8,494.5	863.0	-605.0	0.00	0.00	0.00	0.00	0.00 KOP(Amazing 19 Fed
8,817.5	26.46	180.00	8,707.2	813.0	-605.0	12.00	12.00	81.65	180.00	FTP(Amazing 19 Fed
9,347.1	90.00	179.61	8,971.9	385.5	-603.0	12.00	12.00	-0.07	-0.44	
19,276.9	90.00	179.61	8,972.0	-9,544.0	-535.0	0.00	0.00	0.00	0.00	PBHL(Amazing 19 Fe



Planning Report

Database:	PEDM	Local Co-ordinate Reference:	Well #206H
Company:	Midland	TVD Reference:	kb = 25' @ 3678.0usft
Project:	Lea County, NM (NAD 83 NME)	MD Reference:	kb = 25' @ 3678.0usft
Site:	Amazing 19 Fed	North Reference:	Grid
Well:	#206H	Survey Calculation Method:	Minimum Curvature
Wellbore:	OH		
Design:	Plan #0.1 RT		

Planned Survey									
Measured Depth (usft)	Inclination (°)	Azimuth (°)	Vertical Depth (usft)	+N/-S (usft)	+E/-W (usft)	Vertical Section (usft)	Dogleg Rate (°/100usft)	Build Rate (°/100usft)	Turn Rate (°/100usft)
0.0	0.00	0.00	0.0	0.0	0.0	0.0	0.00	0.00	0.00
100.0	0.00	0.00	100.0	0.0	0.0	0.0	0.00	0.00	0.00
200.0	0.00	0.00	200.0	0.0	0.0	0.0	0.00	0.00	0.00
300.0	0.00	0.00	300.0	0.0	0.0	0.0	0.00	0.00	0.00
400.0	0.00	0.00	400.0	0.0	0.0	0.0	0.00	0.00	0.00
500.0	0.00	0.00	500.0	0.0	0.0	0.0	0.00	0.00	0.00
600.0	0.00	0.00	600.0	0.0	0.0	0.0	0.00	0.00	0.00
700.0	0.00	0.00	700.0	0.0	0.0	0.0	0.00	0.00	0.00
800.0	0.00	0.00	800.0	0.0	0.0	0.0	0.00	0.00	0.00
900.0	0.00	0.00	900.0	0.0	0.0	0.0	0.00	0.00	0.00
1,000.0	0.00	0.00	1,000.0	0.0	0.0	0.0	0.00	0.00	0.00
1,100.0	0.00	0.00	1,100.0	0.0	0.0	0.0	0.00	0.00	0.00
1,200.0	0.00	0.00	1,200.0	0.0	0.0	0.0	0.00	0.00	0.00
1,300.0	0.00	0.00	1,300.0	0.0	0.0	0.0	0.00	0.00	0.00
1,356.0	0.00	0.00	1,356.0	0.0	0.0	0.0	0.00	0.00	0.00
1,400.0	0.88	324.97	1,400.0	0.3	-0.2	-0.3	2.00	2.00	0.00
1,500.0	2.88	324.97	1,499.9	3.0	-2.1	-2.8	2.00	2.00	0.00
1,600.0	4.88	324.97	1,599.7	8.5	-6.0	-8.2	2.00	2.00	0.00
1,700.0	6.88	324.97	1,699.2	16.9	-11.8	-16.2	2.00	2.00	0.00
1,800.0	8.88	324.97	1,798.2	28.1	-19.7	-27.0	2.00	2.00	0.00
1,900.0	10.88	324.97	1,896.7	42.2	-29.6	-40.4	2.00	2.00	0.00
1,933.1	11.54	324.97	1,929.2	47.4	-33.3	-45.5	2.00	2.00	0.00
2,000.0	11.54	324.97	1,994.8	58.4	-40.9	-56.0	0.00	0.00	0.00
2,100.0	11.54	324.97	2,092.7	74.8	-52.4	-71.7	0.00	0.00	0.00
2,200.0	11.54	324.97	2,190.7	91.2	-63.9	-87.4	0.00	0.00	0.00
2,300.0	11.54	324.97	2,288.7	107.5	-75.4	-103.2	0.00	0.00	0.00
2,400.0	11.54	324.97	2,386.7	123.9	-86.9	-118.9	0.00	0.00	0.00
2,500.0	11.54	324.97	2,484.6	140.3	-98.4	-134.6	0.00	0.00	0.00
2,600.0	11.54	324.97	2,582.6	156.7	-109.9	-150.3	0.00	0.00	0.00
2,700.0	11.54	324.97	2,680.6	173.1	-121.3	-166.0	0.00	0.00	0.00
2,800.0	11.54	324.97	2,778.6	189.5	-132.8	-181.7	0.00	0.00	0.00
2,900.0	11.54	324.97	2,876.6	205.8	-144.3	-197.4	0.00	0.00	0.00
3,000.0	11.54	324.97	2,974.5	222.2	-155.8	-213.2	0.00	0.00	0.00
3,100.0	11.54	324.97	3,072.5	238.6	-167.3	-228.9	0.00	0.00	0.00
3,200.0	11.54	324.97	3,170.5	255.0	-178.8	-244.6	0.00	0.00	0.00
3,300.0	11.54	324.97	3,268.5	271.4	-190.3	-260.3	0.00	0.00	0.00
3,400.0	11.54	324.97	3,366.4	287.8	-201.7	-276.0	0.00	0.00	0.00
3,500.0	11.54	324.97	3,464.4	304.2	-213.2	-291.7	0.00	0.00	0.00
3,600.0	11.54	324.97	3,562.4	320.5	-224.7	-307.5	0.00	0.00	0.00
3,700.0	11.54	324.97	3,660.4	336.9	-236.2	-323.2	0.00	0.00	0.00
3,800.0	11.54	324.97	3,758.4	353.3	-247.7	-338.9	0.00	0.00	0.00
3,900.0	11.54	324.97	3,856.3	369.7	-259.2	-354.6	0.00	0.00	0.00
4,000.0	11.54	324.97	3,954.3	386.1	-270.7	-370.3	0.00	0.00	0.00
4,100.0	11.54	324.97	4,052.3	402.5	-282.1	-386.0	0.00	0.00	0.00
4,200.0	11.54	324.97	4,150.3	418.8	-293.6	-401.7	0.00	0.00	0.00
4,300.0	11.54	324.97	4,248.2	435.2	-305.1	-417.5	0.00	0.00	0.00
4,400.0	11.54	324.97	4,346.2	451.6	-316.6	-433.2	0.00	0.00	0.00
4,500.0	11.54	324.97	4,444.2	468.0	-328.1	-448.9	0.00	0.00	0.00
4,600.0	11.54	324.97	4,542.2	484.4	-339.6	-464.6	0.00	0.00	0.00
4,700.0	11.54	324.97	4,640.2	500.8	-351.0	-480.3	0.00	0.00	0.00
4,800.0	11.54	324.97	4,738.1	517.1	-362.5	-496.0	0.00	0.00	0.00
4,900.0	11.54	324.97	4,836.1	533.5	-374.0	-511.8	0.00	0.00	0.00
5,000.0	11.54	324.97	4,934.1	549.9	-385.5	-527.5	0.00	0.00	0.00
5,100.0	11.54	324.97	5,032.1	566.3	-397.0	-543.2	0.00	0.00	0.00



Planning Report

Database:	PEDM	Local Co-ordinate Reference:	Well #206H
Company:	Midland	TVD Reference:	kb = 25' @ 3678.0usft
Project:	Lea County, NM (NAD 83 NME)	MD Reference:	kb = 25' @ 3678.0usft
Site:	Amazing 19 Fed	North Reference:	Grid
Well:	#206H	Survey Calculation Method:	Minimum Curvature
Wellbore:	OH		
Design:	Plan #0.1 RT		

Planned Survey										
Measured Depth (usft)	Inclination (°)	Azimuth (°)	Vertical Depth (usft)	+N/-S (usft)	+E/-W (usft)	Vertical Section (usft)	Dogleg Rate (°/100usft)	Build Rate (°/100usft)	Turn Rate (°/100usft)	
5,200.0	11.54	324.97	5,130.0	582.7	-408.5	-558.9	0.00	0.00	0.00	
5,300.0	11.54	324.97	5,228.0	599.1	-420.0	-574.6	0.00	0.00	0.00	
5,400.0	11.54	324.97	5,326.0	615.4	-431.4	-590.3	0.00	0.00	0.00	
5,500.0	11.54	324.97	5,424.0	631.8	-442.9	-606.0	0.00	0.00	0.00	
5,600.0	11.54	324.97	5,522.0	648.2	-454.4	-621.8	0.00	0.00	0.00	
5,700.0	11.54	324.97	5,619.9	664.6	-465.9	-637.5	0.00	0.00	0.00	
5,800.0	11.54	324.97	5,717.9	681.0	-477.4	-653.2	0.00	0.00	0.00	
5,900.0	11.54	324.97	5,815.9	697.4	-488.9	-668.9	0.00	0.00	0.00	
6,000.0	11.54	324.97	5,913.9	713.7	-500.4	-684.6	0.00	0.00	0.00	
6,100.0	11.54	324.97	6,011.8	730.1	-511.8	-700.3	0.00	0.00	0.00	
6,200.0	11.54	324.97	6,109.8	746.5	-523.3	-716.0	0.00	0.00	0.00	
6,300.0	11.54	324.97	6,207.8	762.9	-534.8	-731.8	0.00	0.00	0.00	
6,400.0	11.54	324.97	6,305.8	779.3	-546.3	-747.5	0.00	0.00	0.00	
6,500.0	11.54	324.97	6,403.8	795.7	-557.8	-763.2	0.00	0.00	0.00	
6,600.0	11.54	324.97	6,501.7	812.0	-569.3	-778.9	0.00	0.00	0.00	
6,621.5	11.54	324.97	6,522.8	815.6	-571.7	-782.3	0.00	0.00	0.00	
6,700.0	9.97	324.97	6,599.9	827.6	-580.2	-793.8	2.00	-2.00	0.00	
6,800.0	7.97	324.97	6,698.7	840.3	-589.1	-806.0	2.00	-2.00	0.00	
6,900.0	5.97	324.97	6,797.9	850.3	-596.1	-815.6	2.00	-2.00	0.00	
7,000.0	3.97	324.97	6,897.6	857.4	-601.1	-822.4	2.00	-2.00	0.00	
7,100.0	1.97	324.97	6,997.4	861.6	-604.0	-826.5	2.00	-2.00	0.00	
7,198.6	0.00	0.00	7,096.0	863.0	-605.0	-827.8	2.00	-2.00	0.00	
7,200.0	0.00	0.00	7,097.4	863.0	-605.0	-827.8	0.00	0.00	0.00	
7,300.0	0.00	0.00	7,197.4	863.0	-605.0	-827.8	0.00	0.00	0.00	
7,400.0	0.00	0.00	7,297.4	863.0	-605.0	-827.8	0.00	0.00	0.00	
7,500.0	0.00	0.00	7,397.4	863.0	-605.0	-827.8	0.00	0.00	0.00	
7,600.0	0.00	0.00	7,497.4	863.0	-605.0	-827.8	0.00	0.00	0.00	
7,700.0	0.00	0.00	7,597.4	863.0	-605.0	-827.8	0.00	0.00	0.00	
7,800.0	0.00	0.00	7,697.4	863.0	-605.0	-827.8	0.00	0.00	0.00	
7,900.0	0.00	0.00	7,797.4	863.0	-605.0	-827.8	0.00	0.00	0.00	
8,000.0	0.00	0.00	7,897.4	863.0	-605.0	-827.8	0.00	0.00	0.00	
8,100.0	0.00	0.00	7,997.4	863.0	-605.0	-827.8	0.00	0.00	0.00	
8,200.0	0.00	0.00	8,097.4	863.0	-605.0	-827.8	0.00	0.00	0.00	
8,300.0	0.00	0.00	8,197.4	863.0	-605.0	-827.8	0.00	0.00	0.00	
8,400.0	0.00	0.00	8,297.4	863.0	-605.0	-827.8	0.00	0.00	0.00	
8,500.0	0.00	0.00	8,397.4	863.0	-605.0	-827.8	0.00	0.00	0.00	
8,597.1	0.00	0.00	8,494.5	863.0	-605.0	-827.8	0.00	0.00	0.00	
8,600.0	0.35	180.00	8,497.4	863.0	-605.0	-827.8	12.00	12.00	0.00	
8,625.0	3.35	180.00	8,522.4	862.2	-605.0	-827.0	12.00	12.00	0.00	
8,650.0	6.35	180.00	8,547.3	860.1	-605.0	-824.9	12.00	12.00	0.00	
8,675.0	9.35	180.00	8,572.1	856.7	-605.0	-821.5	12.00	12.00	0.00	
8,700.0	12.35	180.00	8,596.6	852.0	-605.0	-816.8	12.00	12.00	0.00	
8,725.0	15.35	180.00	8,620.9	846.0	-605.0	-810.8	12.00	12.00	0.00	
8,750.0	18.35	180.00	8,644.8	838.7	-605.0	-803.5	12.00	12.00	0.00	
8,775.0	21.35	180.00	8,668.3	830.2	-605.0	-795.1	12.00	12.00	0.00	
8,800.0	24.35	180.00	8,691.3	820.5	-605.0	-785.4	12.00	12.00	0.00	
8,817.5	26.46	180.00	8,707.2	813.0	-605.0	-777.9	12.00	12.00	0.00	
8,825.0	27.35	179.99	8,713.8	809.6	-605.0	-774.5	12.00	12.00	-0.20	
8,850.0	30.35	179.94	8,735.7	797.6	-605.0	-762.5	12.00	12.00	-0.18	
8,875.0	33.35	179.90	8,757.0	784.4	-605.0	-749.3	12.00	12.00	-0.15	
8,900.0	36.35	179.87	8,777.5	770.1	-604.9	-735.0	12.00	12.00	-0.13	
8,925.0	39.35	179.85	8,797.2	754.8	-604.9	-719.7	12.00	12.00	-0.11	
8,950.0	42.35	179.82	8,816.1	738.4	-604.9	-703.4	12.00	12.00	-0.10	
8,975.0	45.35	179.80	8,834.2	721.1	-604.8	-686.1	12.00	12.00	-0.09	



Planning Report

Database:	PEDM	Local Co-ordinate Reference:	Well #206H
Company:	Midland	TVD Reference:	kb = 25' @ 3678.0usft
Project:	Lea County, NM (NAD 83 NME)	MD Reference:	kb = 25' @ 3678.0usft
Site:	Amazing 19 Fed	North Reference:	Grid
Well:	#206H	Survey Calculation Method:	Minimum Curvature
Wellbore:	OH		
Design:	Plan #0.1 RT		

Planned Survey									
Measured Depth (usft)	Inclination (°)	Azimuth (°)	Vertical Depth (usft)	+N/-S (usft)	+E/-W (usft)	Vertical Section (usft)	Dogleg Rate (°/100usft)	Build Rate (°/100usft)	Turn Rate (°/100usft)
9,000.0	48.35	179.78	8,851.3	702.8	-604.7	-667.9	12.00	12.00	-0.08
9,025.0	51.35	179.76	8,867.4	683.7	-604.7	-648.8	12.00	12.00	-0.07
9,050.0	54.35	179.75	8,882.5	663.8	-604.6	-628.9	12.00	12.00	-0.06
9,075.0	57.35	179.73	8,896.5	643.1	-604.5	-608.3	12.00	12.00	-0.06
9,100.0	60.35	179.72	8,909.4	621.7	-604.4	-586.9	12.00	12.00	-0.06
9,125.0	63.35	179.71	8,921.2	599.7	-604.3	-564.9	12.00	12.00	-0.05
9,150.0	66.35	179.69	8,931.8	577.1	-604.2	-542.4	12.00	12.00	-0.05
9,175.0	69.35	179.68	8,941.3	553.9	-604.0	-519.2	12.00	12.00	-0.05
9,200.0	72.35	179.67	8,949.5	530.3	-603.9	-495.7	12.00	12.00	-0.05
9,225.0	75.35	179.66	8,956.4	506.3	-603.7	-471.7	12.00	12.00	-0.04
9,250.0	78.35	179.65	8,962.1	482.0	-603.6	-447.4	12.00	12.00	-0.04
9,275.0	81.35	179.64	8,966.5	457.3	-603.4	-422.9	12.00	12.00	-0.04
9,300.0	84.35	179.63	8,969.6	432.5	-603.3	-398.1	12.00	12.00	-0.04
9,325.0	87.35	179.62	8,971.4	407.6	-603.1	-373.2	12.00	12.00	-0.04
9,347.1	90.00	179.61	8,971.9	385.5	-603.0	-351.2	12.00	12.00	-0.04
9,400.0	90.00	179.61	8,971.9	332.6	-602.6	-298.4	0.00	0.00	0.00
9,500.0	90.00	179.61	8,971.9	232.6	-601.9	-198.6	0.00	0.00	0.00
9,600.0	90.00	179.61	8,971.9	132.6	-601.2	-98.8	0.00	0.00	0.00
9,700.0	90.00	179.61	8,971.9	32.6	-600.6	1.0	0.00	0.00	0.00
9,800.0	90.00	179.61	8,971.9	-67.4	-599.9	100.8	0.00	0.00	0.00
9,900.0	90.00	179.61	8,971.9	-167.4	-599.2	200.6	0.00	0.00	0.00
10,000.0	90.00	179.61	8,971.9	-267.4	-598.5	300.4	0.00	0.00	0.00
10,100.0	90.00	179.61	8,971.9	-367.4	-597.8	400.2	0.00	0.00	0.00
10,200.0	90.00	179.61	8,971.9	-467.4	-597.1	500.0	0.00	0.00	0.00
10,300.0	90.00	179.61	8,972.0	-567.4	-596.5	599.8	0.00	0.00	0.00
10,400.0	90.00	179.61	8,972.0	-667.4	-595.8	699.7	0.00	0.00	0.00
10,500.0	90.00	179.61	8,972.0	-767.4	-595.1	799.5	0.00	0.00	0.00
10,600.0	90.00	179.61	8,972.0	-867.3	-594.4	899.3	0.00	0.00	0.00
10,700.0	90.00	179.61	8,972.0	-967.3	-593.7	999.1	0.00	0.00	0.00
10,800.0	90.00	179.61	8,972.0	-1,067.3	-593.0	1,098.9	0.00	0.00	0.00
10,900.0	90.00	179.61	8,972.0	-1,167.3	-592.3	1,198.7	0.00	0.00	0.00
11,000.0	90.00	179.61	8,972.0	-1,267.3	-591.7	1,298.5	0.00	0.00	0.00
11,100.0	90.00	179.61	8,972.0	-1,367.3	-591.0	1,398.3	0.00	0.00	0.00
11,200.0	90.00	179.61	8,972.0	-1,467.3	-590.3	1,498.1	0.00	0.00	0.00
11,300.0	90.00	179.61	8,972.0	-1,567.3	-589.6	1,597.9	0.00	0.00	0.00
11,400.0	90.00	179.61	8,972.0	-1,667.3	-588.9	1,697.7	0.00	0.00	0.00
11,500.0	90.00	179.61	8,972.0	-1,767.3	-588.2	1,797.5	0.00	0.00	0.00
11,600.0	90.00	179.61	8,972.0	-1,867.3	-587.6	1,897.3	0.00	0.00	0.00
11,700.0	90.00	179.61	8,972.0	-1,967.3	-586.9	1,997.1	0.00	0.00	0.00
11,800.0	90.00	179.61	8,972.0	-2,067.3	-586.2	2,096.9	0.00	0.00	0.00
11,900.0	90.00	179.61	8,972.0	-2,167.3	-585.5	2,196.7	0.00	0.00	0.00
12,000.0	90.00	179.61	8,972.0	-2,267.3	-584.8	2,296.5	0.00	0.00	0.00
12,100.0	90.00	179.61	8,972.0	-2,367.3	-584.1	2,396.3	0.00	0.00	0.00
12,200.0	90.00	179.61	8,972.0	-2,467.3	-583.4	2,496.1	0.00	0.00	0.00
12,300.0	90.00	179.61	8,972.0	-2,567.3	-582.8	2,595.9	0.00	0.00	0.00
12,400.0	90.00	179.61	8,972.0	-2,667.3	-582.1	2,695.7	0.00	0.00	0.00
12,500.0	90.00	179.61	8,972.0	-2,767.3	-581.4	2,795.5	0.00	0.00	0.00
12,600.0	90.00	179.61	8,972.0	-2,867.3	-580.7	2,895.3	0.00	0.00	0.00
12,700.0	90.00	179.61	8,972.0	-2,967.3	-580.0	2,995.1	0.00	0.00	0.00
12,800.0	90.00	179.61	8,972.0	-3,067.3	-579.3	3,094.9	0.00	0.00	0.00
12,900.0	90.00	179.61	8,972.0	-3,167.3	-578.7	3,194.7	0.00	0.00	0.00
13,000.0	90.00	179.61	8,972.0	-3,267.3	-578.0	3,294.5	0.00	0.00	0.00
13,100.0	90.00	179.61	8,972.0	-3,367.3	-577.3	3,394.3	0.00	0.00	0.00
13,200.0	90.00	179.61	8,972.0	-3,467.3	-576.6	3,494.1	0.00	0.00	0.00



Planning Report

Database:	PEDM	Local Co-ordinate Reference:	Well #206H
Company:	Midland	TVD Reference:	kb = 25' @ 3678.0usft
Project:	Lea County, NM (NAD 83 NME)	MD Reference:	kb = 25' @ 3678.0usft
Site:	Amazing 19 Fed	North Reference:	Grid
Well:	#206H	Survey Calculation Method:	Minimum Curvature
Wellbore:	OH		
Design:	Plan #0.1 RT		

Planned Survey									
Measured Depth (usft)	Inclination (°)	Azimuth (°)	Vertical Depth (usft)	+N/-S (usft)	+E/-W (usft)	Vertical Section (usft)	Dogleg Rate (°/100usft)	Build Rate (°/100usft)	Turn Rate (°/100usft)
13,300.0	90.00	179.61	8,972.0	-3,567.3	-575.9	3,593.9	0.00	0.00	0.00
13,400.0	90.00	179.61	8,972.0	-3,667.3	-575.2	3,693.7	0.00	0.00	0.00
13,500.0	90.00	179.61	8,972.0	-3,767.3	-574.5	3,793.5	0.00	0.00	0.00
13,600.0	90.00	179.61	8,972.0	-3,867.3	-573.9	3,893.3	0.00	0.00	0.00
13,700.0	90.00	179.61	8,972.0	-3,967.3	-573.2	3,993.1	0.00	0.00	0.00
13,800.0	90.00	179.61	8,972.0	-4,067.3	-572.5	4,092.9	0.00	0.00	0.00
13,900.0	90.00	179.61	8,972.0	-4,167.3	-571.8	4,192.7	0.00	0.00	0.00
14,000.0	90.00	179.61	8,972.0	-4,267.3	-571.1	4,292.5	0.00	0.00	0.00
14,100.0	90.00	179.61	8,972.0	-4,367.3	-570.4	4,392.3	0.00	0.00	0.00
14,200.0	90.00	179.61	8,972.0	-4,467.3	-569.8	4,492.2	0.00	0.00	0.00
14,300.0	90.00	179.61	8,972.0	-4,567.3	-569.1	4,592.0	0.00	0.00	0.00
14,400.0	90.00	179.61	8,972.0	-4,667.3	-568.4	4,691.8	0.00	0.00	0.00
14,500.0	90.00	179.61	8,972.0	-4,767.3	-567.7	4,791.6	0.00	0.00	0.00
14,600.0	90.00	179.61	8,972.0	-4,867.3	-567.0	4,891.4	0.00	0.00	0.00
14,700.0	90.00	179.61	8,972.0	-4,967.3	-566.3	4,991.2	0.00	0.00	0.00
14,800.0	90.00	179.61	8,972.0	-5,067.3	-565.6	5,091.0	0.00	0.00	0.00
14,900.0	90.00	179.61	8,972.0	-5,167.2	-565.0	5,190.8	0.00	0.00	0.00
15,000.0	90.00	179.61	8,972.0	-5,267.2	-564.3	5,290.6	0.00	0.00	0.00
15,100.0	90.00	179.61	8,972.0	-5,367.2	-563.6	5,390.4	0.00	0.00	0.00
15,200.0	90.00	179.61	8,972.0	-5,467.2	-562.9	5,490.2	0.00	0.00	0.00
15,300.0	90.00	179.61	8,972.0	-5,567.2	-562.2	5,590.0	0.00	0.00	0.00
15,400.0	90.00	179.61	8,972.0	-5,667.2	-561.5	5,689.8	0.00	0.00	0.00
15,500.0	90.00	179.61	8,972.0	-5,767.2	-560.9	5,789.6	0.00	0.00	0.00
15,600.0	90.00	179.61	8,972.0	-5,867.2	-560.2	5,889.4	0.00	0.00	0.00
15,700.0	90.00	179.61	8,972.0	-5,967.2	-559.5	5,989.2	0.00	0.00	0.00
15,800.0	90.00	179.61	8,972.0	-6,067.2	-558.8	6,089.0	0.00	0.00	0.00
15,900.0	90.00	179.61	8,972.0	-6,167.2	-558.1	6,188.8	0.00	0.00	0.00
16,000.0	90.00	179.61	8,972.0	-6,267.2	-557.4	6,288.6	0.00	0.00	0.00
16,100.0	90.00	179.61	8,972.0	-6,367.2	-556.7	6,388.4	0.00	0.00	0.00
16,200.0	90.00	179.61	8,972.0	-6,467.2	-556.1	6,488.2	0.00	0.00	0.00
16,300.0	90.00	179.61	8,972.0	-6,567.2	-555.4	6,588.0	0.00	0.00	0.00
16,400.0	90.00	179.61	8,972.0	-6,667.2	-554.7	6,687.8	0.00	0.00	0.00
16,500.0	90.00	179.61	8,972.0	-6,767.2	-554.0	6,787.6	0.00	0.00	0.00
16,600.0	90.00	179.61	8,972.0	-6,867.2	-553.3	6,887.4	0.00	0.00	0.00
16,700.0	90.00	179.61	8,972.0	-6,967.2	-552.6	6,987.2	0.00	0.00	0.00
16,800.0	90.00	179.61	8,972.0	-7,067.2	-552.0	7,087.0	0.00	0.00	0.00
16,900.0	90.00	179.61	8,972.0	-7,167.2	-551.3	7,186.8	0.00	0.00	0.00
17,000.0	90.00	179.61	8,972.0	-7,267.2	-550.6	7,286.6	0.00	0.00	0.00
17,100.0	90.00	179.61	8,972.0	-7,367.2	-549.9	7,386.4	0.00	0.00	0.00
17,200.0	90.00	179.61	8,972.0	-7,467.2	-549.2	7,486.2	0.00	0.00	0.00
17,300.0	90.00	179.61	8,972.0	-7,567.2	-548.5	7,586.0	0.00	0.00	0.00
17,400.0	90.00	179.61	8,972.0	-7,667.2	-547.8	7,685.8	0.00	0.00	0.00
17,500.0	90.00	179.61	8,972.0	-7,767.2	-547.2	7,785.6	0.00	0.00	0.00
17,600.0	90.00	179.61	8,972.0	-7,867.2	-546.5	7,885.4	0.00	0.00	0.00
17,700.0	90.00	179.61	8,972.0	-7,967.2	-545.8	7,985.2	0.00	0.00	0.00
17,800.0	90.00	179.61	8,972.0	-8,067.2	-545.1	8,085.0	0.00	0.00	0.00
17,900.0	90.00	179.61	8,972.0	-8,167.2	-544.4	8,184.8	0.00	0.00	0.00
18,000.0	90.00	179.61	8,972.0	-8,267.2	-543.7	8,284.7	0.00	0.00	0.00
18,100.0	90.00	179.61	8,972.0	-8,367.2	-543.1	8,384.5	0.00	0.00	0.00
18,200.0	90.00	179.61	8,972.0	-8,467.2	-542.4	8,484.3	0.00	0.00	0.00
18,300.0	90.00	179.61	8,972.0	-8,567.2	-541.7	8,584.1	0.00	0.00	0.00
18,400.0	90.00	179.61	8,972.0	-8,667.2	-541.0	8,683.9	0.00	0.00	0.00
18,500.0	90.00	179.61	8,972.0	-8,767.2	-540.3	8,783.7	0.00	0.00	0.00
18,600.0	90.00	179.61	8,972.0	-8,867.2	-539.6	8,883.5	0.00	0.00	0.00



Planning Report

Database:	PEDM	Local Co-ordinate Reference:	Well #206H
Company:	Midland	TVD Reference:	kb = 25' @ 3678.0usft
Project:	Lea County, NM (NAD 83 NME)	MD Reference:	kb = 25' @ 3678.0usft
Site:	Amazing 19 Fed	North Reference:	Grid
Well:	#206H	Survey Calculation Method:	Minimum Curvature
Wellbore:	OH		
Design:	Plan #0.1 RT		

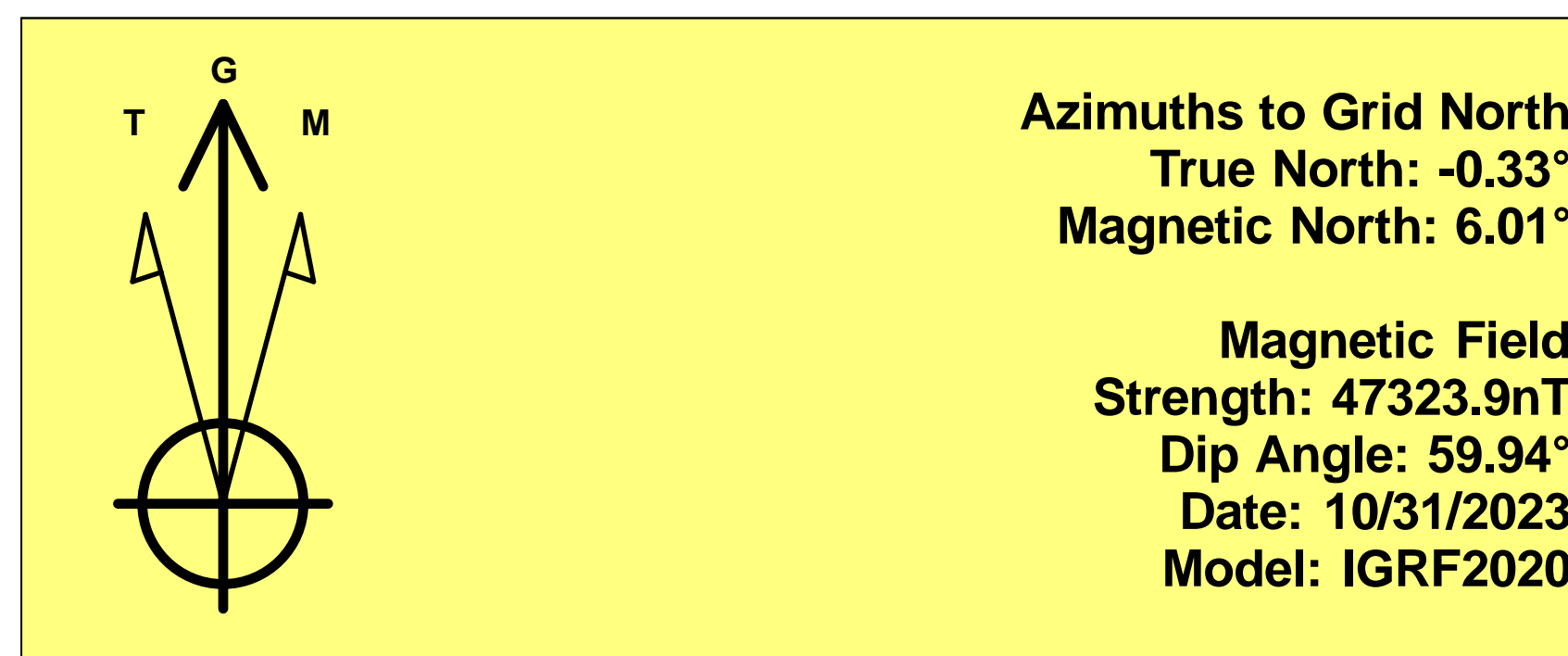
Planned Survey									
Measured Depth (usft)	Inclination (°)	Azimuth (°)	Vertical Depth (usft)	+N/-S (usft)	+E/-W (usft)	Vertical Section (usft)	Dogleg Rate (°/100usft)	Build Rate (°/100usft)	Turn Rate (°/100usft)
18,700.0	90.00	179.61	8,972.0	-8,967.2	-538.9	8,983.3	0.00	0.00	0.00
18,800.0	90.00	179.61	8,972.0	-9,067.2	-538.3	9,083.1	0.00	0.00	0.00
18,900.0	90.00	179.61	8,972.0	-9,167.2	-537.6	9,182.9	0.00	0.00	0.00
19,000.0	90.00	179.61	8,972.0	-9,267.2	-536.9	9,282.7	0.00	0.00	0.00
19,100.0	90.00	179.61	8,972.0	-9,367.2	-536.2	9,382.5	0.00	0.00	0.00
19,200.0	90.00	179.61	8,972.0	-9,467.1	-535.5	9,482.3	0.00	0.00	0.00
19,276.9	90.00	179.61	8,972.0	-9,544.0	-535.0	9,559.0	0.00	0.00	0.00

Design Targets									
Target Name - hit/miss target - Shape	Dip Angle (°)	Dip Dir. (°)	TVD (usft)	+N/-S (usft)	+E/-W (usft)	Northing (usft)	Easting (usft)	Latitude	Longitude
KOP(Amazing 19 Fed #1 - plan hits target center - Point	0.00	0.00	8,494.5	863.0	-605.0	504,048.00	733,544.00	32° 23' 2.973 N	103° 42' 38.461 W
FTP(Amazing 19 Fed #2 - plan hits target center - Point	0.00	0.00	8,707.2	813.0	-605.0	503,998.00	733,544.00	32° 23' 2.478 N	103° 42' 38.465 W
PBHL(Amazing 19 Fed # - plan hits target center - Point	0.00	0.00	8,972.0	-9,544.0	-535.0	493,641.00	733,614.00	32° 21' 19.989 N	103° 42' 38.351 W

Lea County, NM (NAD 83 NME)

Amazing 19 Fed #206H

Plan #0.1 RT



To convert a Magnetic Direction to a Grid Direction, Add 6.01°
 To convert a Magnetic Direction to a True Direction, Add 6.34° East
 To convert a True Direction to a Grid Direction, Subtract 0.33°

PROJECT DETAILS: Lea County, NM (NAD 83 NME)

Geodetic System: US State Plane 1983
 Datum: North American Datum 1983
 Ellipsoid: GRS 1980
 Zone: New Mexico Eastern Zone
 System Datum: Mean Sea Level

WELL DETAILS: #206H

kb = 25' @ 3678.0usft 3653.0
 Northing 503185.0 Easting 734149.0 Latitude 32° 22' 54.399 N Longitude 103° 42' 31.465 W

SECTION DETAILS

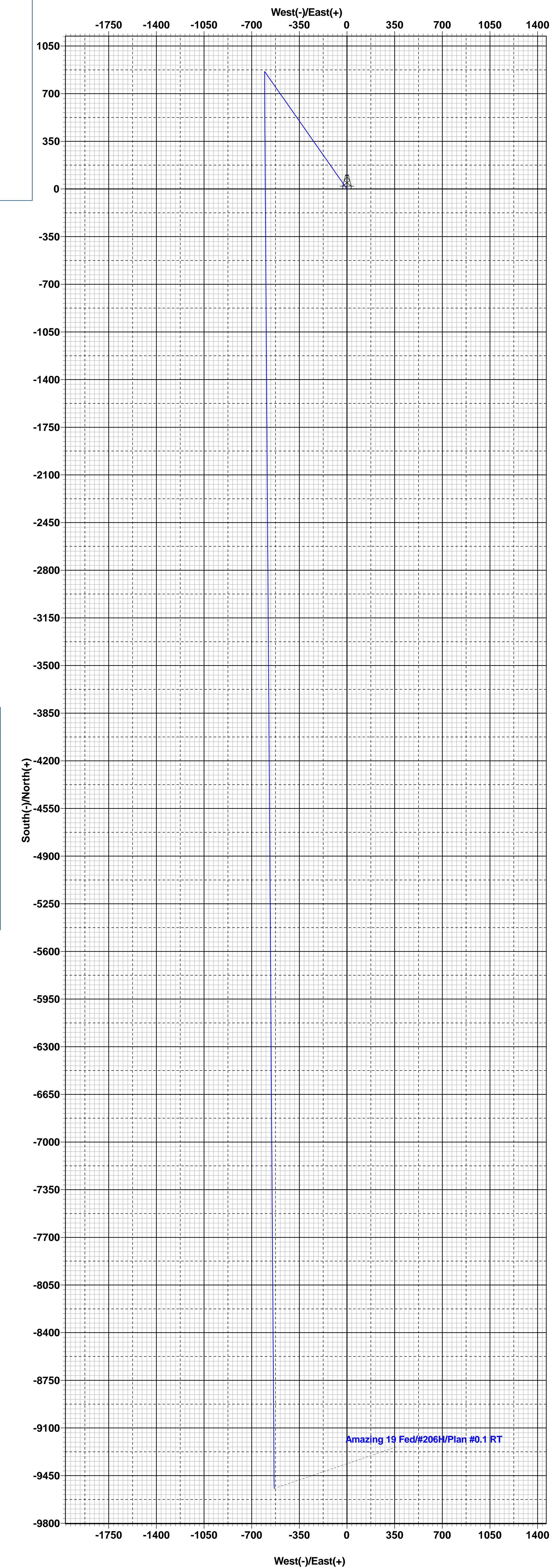
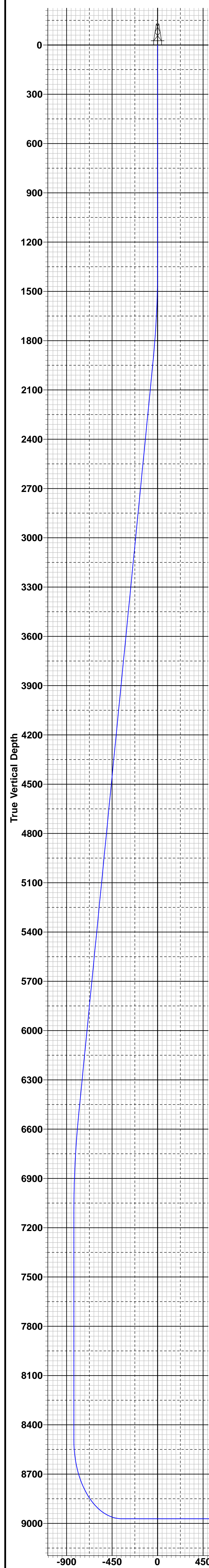
Sec	MD	Inc	Azi	TVD	+N/-S	+E/-W	Dleg	TFace	VSect	Target
1	0.0	0.00	0.00	0.0	0.0	0.0	0.00	0.00	0.0	
2	1356.0	0.00	0.00	1356.0	0.0	0.0	0.00	0.00	0.0	
3	1933.1	11.54	324.97	1929.2	47.4	-33.3	2.00	324.97	-45.5	
4	6621.5	11.54	324.97	6522.8	815.6	-571.7	0.00	0.00	-782.3	
5	7198.6	0.00	0.00	7096.0	863.0	-605.0	2.00	180.00	-827.8	
6	8597.1	0.00	0.00	8494.5	863.0	-605.0	0.00	0.00	-827.8	KOP(Amazing 19 Fed #206H)
7	8817.5	26.46	180.00	8707.2	813.0	-605.0	12.00	180.00	-777.9	FTP(Amazing 19 Fed #206H)
8	9347.1	90.00	179.61	8971.9	385.5	-603.0	12.00	-0.44	-351.2	
9	19276.9	90.00	179.61	8972.0	-9544.0	-535.0	0.00	0.00	9559.0	PBHL(Amazing 19 Fed #206H)

CASING DETAILS

No casing data is available

WELLBORE TARGET DETAILS (MAP CO-ORDINATES)

Name	TVD	+N/-S	+E/-W	Northing	Easting
KOP(Amazing 19 Fed #206H)	8494.5	863.0	-605.0	504048.00	733544.00
FTP(Amazing 19 Fed #206H)	8707.2	813.0	-605.0	503998.00	733544.00
PBHL(Amazing 19 Fed #206H)	8972.0	-9544.0	-535.0	493641.00	733614.00



Vertical Section at 183.21°

PECOS DISTRICT DRILLING CONDITIONS OF APPROVAL

OPERATOR'S NAME:	EOG RESOURCES INCORPORATED
WELL NAME & NO.:	AMAZING 19 FED 206H
SURFACE HOLE FOOTAGE:	920'N 1051'E
BOTTOM HOLE FOOTAGE:	100'S 1650'E
LOCATION:	SECTION 19, T22S, R32E
COUNTY:	Lea County, New Mexico

All previous COAs still apply

COA

H2S	<input checked="" type="radio"/> Yes	<input type="radio"/> No	
Potash	<input checked="" type="radio"/> None	<input type="radio"/> Secretary	<input type="radio"/> R-111-P
Cave/Karst Potential	<input checked="" type="radio"/> Low	<input type="radio"/> Medium	<input type="radio"/> High
Cave/Karst Potential	<input type="radio"/> Critical		
Variance	<input type="radio"/> None	<input checked="" type="radio"/> Flex Hose	<input type="radio"/> Other
Wellhead	<input type="radio"/> Conventional	<input checked="" type="radio"/> Multibowl	<input type="radio"/> Both
Wellhead Variance	<input type="radio"/> Diverter		
Other	<input type="checkbox"/> 4 String	<input type="checkbox"/> Capitan Reef	<input type="checkbox"/> WIPP
Other	<input checked="" type="checkbox"/> Fluid Filled	<input type="checkbox"/> Pilot Hole	<input type="checkbox"/> Open Annulus
Cementing	<input type="checkbox"/> Contingency Cement Squeeze	<input type="checkbox"/> EchoMeter	<input type="checkbox"/> Primary Cement Squeeze
Special Requirements	<input type="checkbox"/> Water Disposal	<input type="checkbox"/> COM	<input type="checkbox"/> Unit
Special Requirements	<input type="checkbox"/> Batch Sundry		
Special Requirements Variance	<input checked="" type="checkbox"/> Break Testing	<input checked="" type="checkbox"/> Offline Cementing	<input checked="" type="checkbox"/> Casing Clearance

A. CASING

NOTE: INTERMEDIATE CASING SET POINTS ADJUSTED BASED ON BLM GEOLOGY RECOMMENDATION AND ORIGINAL APD SET DEPTH

Primary Casing Design:

1. The 13-3/8 inch surface casing shall be set at approximately **940** feet (a minimum of 25 feet (Lea County) into the Rustler Anhydrite, above the salt, and below usable fresh water) and cemented to the surface.
 - a. If cement does not circulate to the surface, the appropriate BLM office shall be notified and a temperature survey utilizing an electronic type temperature

survey with surface log readout will be used or a cement bond log shall be run to verify the top of the cement. Temperature survey will be run a minimum of six hours after pumping cement and ideally between 8-10 hours after completing the cement job.

- b. Wait on cement (WOC) time for a primary cement job will be a minimum of **8 hours** or 500 pounds compressive strength, whichever is greater. (This is to include the lead cement)
- c. Wait on cement (WOC) time for a remedial job will be a minimum of 4 hours after bringing cement to surface or 500 pounds compressive strength, whichever is greater.
- d. If cement falls back, remedial cementing will be done prior to drilling out that string.

Intermediate casing must be kept fluid filled to meet BLM minimum collapse requirement in Design A.

2. The **9-5/8** inch intermediate casing shall be set at approximately **4,452** feet TVD. **Cement excess < 25% CFO recommendation. Please review cement volumes to achieve below mentioned tie-back.** The minimum required fill of cement behind the **9-5/8** inch intermediate casing is:

Option 1 (Single Stage):

- Cement to surface. If cement does not circulate see B.1.a, c-d above.

3. The **5-1/2** inch production casing shall be set at approximately **19,277** feet. The minimum required fill of cement behind the **5-1/2** inch production casing is:

Option 1 (Single Stage):

- Cement should tie-back at least **200 feet** into previous casing string. Operator shall provide method of verification.

Alternate Casing Design:

1. The **10-3/4** inch surface casing shall be set at approximately **940** feet (a minimum of 25 feet (Lea County) into the Rustler Anhydrite, above the salt, and below usable fresh water) and cemented to the surface.
 - e. If cement does not circulate to the surface, the appropriate BLM office shall be notified and a temperature survey utilizing an electronic type temperature survey with surface log readout will be used or a cement bond log shall be run to verify the top of the cement. Temperature survey will be run a minimum of six hours after pumping cement and ideally between 8-10 hours after completing the cement job.
 - f. Wait on cement (WOC) time for a primary cement job will be a minimum of **8**

- hours** or 500 pounds compressive strength, whichever is greater. (This is to include the lead cement)
- g. Wait on cement (WOC) time for a remedial job will be a minimum of 4 hours after bringing cement to surface or 500 pounds compressive strength, whichever is greater.
 - h. If cement falls back, remedial cementing will be done prior to drilling out that string.

Intermediate casing must be kept fluid filled to meet BLM minimum collapse requirement in Design B.

2. The **8-5/8** inch intermediate casing shall be set at approximately **4,452** feet TVD. The minimum required fill of cement behind the **8-5/8** inch intermediate casing is:

Option 1 (Single Stage):

- Cement to surface. If cement does not circulate see B.1.a, c-d above.

3. The **5-1/2** inch production casing shall be set at approximately **19,277** feet. The minimum required fill of cement behind the **5-1/2** inch production casing is:

Option 1 (Single Stage):

- a. Cement should tie-back at least **200 feet** into previous casing string. Operator shall provide method of verification.

B. SPECIAL REQUIREMENT (S)

**(Note: For a minimum 5M BOPE or less (Utilizing a 10M BOPE system)
BOPE Break Testing Variance**

- BOPE Break Testing is ONLY permitted for 5M BOPE or less. **(Annular preventer must be tested to a minimum of 70% of BOPE working pressure and shall be higher than the MASP)**
- BOPE Break Testing is NOT permitted to drilling the production hole section.
- Variance only pertains to the intermediate hole-sections and no deeper than the Bone Springs formation.
- While in transfer between wells, the BOPE shall be secured by the hydraulic carrier or cradle.
- Any well control event while drilling require notification to the BLM Petroleum Engineer **(575-706-2779)** prior to the commencement of any BOPE Break Testing operations.
- A full BOPE test is required prior to drilling the first deep intermediate hole section. If any subsequent hole interval is deeper than the first, a full BOPE test will be required. (200' TVD tolerance between intermediate shoes is allowable).
- The BLM is to be contacted (575-689-5981 Lea County) 4 hours prior to BOPE tests.
- As a minimum, a full BOPE test shall be performed at 21-day intervals.

- In the event any repairs or replacement of the BOPE is required, the BOPE shall test as per 43 CFR part 3170 Subpart 3172.
- If in the event break testing is not utilized, then a full BOPE test would be conducted.

Offline Cementing

OK for surface and intermediate intervals. Notify the BLM prior to the commencement of any offline cementing procedure.

Casing Clearance:

- Salt annular clearance variance in place
- Overlap clearance OK in the production interval

Operator shall clean up cycles until wellbore is clear of cuttings and any large debris, ensure cutting sizes are adequate “coffee ground or less” before cementing.

GENERAL REQUIREMENTS

The BLM is to be notified in advance for a representative to witness:

- a. Spudding well (minimum of 24 hours)
- b. Setting and/or Cementing of all casing strings (minimum of 4 hours)
- c. BOPE tests (minimum of 4 hours)

Eddy County

EMAIL or call the Carlsbad Field Office, 620 East Greene St., Carlsbad, NM 88220,

BLM_NM_CFO_DrillingNotifications@BLM.GOV

(575) 361-2822

Lea County

Call the Hobbs Field Station, 414 West Taylor, Hobbs NM 88240,

(575) 689-5981

1. Unless the production casing has been run and cemented or the well has been properly plugged, the drilling rig shall not be removed from over the hole without prior approval.
 - a. In the event the operator has proposed to drill multiple wells utilizing a skid/walking rig. Operator shall secure the wellbore on the current well, after installing and testing the wellhead, by installing a blind flange of like pressure rating to the wellhead and a pressure gauge that can be monitored while drilling is performed on the other well(s).
 - b. When the operator proposes to set surface casing with Spudder Rig
 - Notify the BLM when moving in and removing the Spudder Rig.

- Notify the BLM when moving in the 2nd Rig. Rig to be moved in within 90 days of notification that Spudder Rig has left the location.
 - BOP/BOPE test to be conducted per **43 CFR part 3170 Subpart 3172** as soon as 2nd Rig is rigged up on well.
2. Floor controls are required for 3M or Greater systems. These controls will be on the rig floor, unobstructed, readily accessible to the driller and will be operational at all times during drilling and/or completion activities. Rig floor is defined as the area immediately around the rotary table; the area immediately above the substructure on which the draw works are located, this does not include the dog house or stairway area.
 3. The record of the drilling rate along with the GR/N well log run from TD to surface (horizontal well – vertical portion of hole) shall be submitted to the BLM office as well as all other logs run on the borehole 30 days from completion. If available, a digital copy of the logs is to be submitted in addition to the paper copies. The Rustler top and top and bottom of Salt are to be recorded on the Completion Report.

A. CASING

1. Changes to the approved APD casing program need prior approval if the items substituted are of lesser grade or different casing size or are Non-API. The Operator can exchange the components of the proposal with that of superior strength (i.e. changing from J-55 to N-80, or from 36# to 40#). Changes to the approved cement program need prior approval if the altered cement plan has less volume or strength or if the changes are substantial (i.e. Multistage tool, ECP, etc.). The initial wellhead installed on the well will remain on the well with spools used as needed.
2. Wait on cement (WOC) for Potash Areas: After cementing but before commencing any tests, the casing string shall stand cemented under pressure until both of the following conditions have been met: 1) cement reaches a minimum compressive strength of 500 psi for all cement blends, 2) until cement has been in place at least 24 hours. WOC time will be recorded in the driller's log. The casing integrity test can be done (prior to the cement setting up) immediately after bumping the plug.
3. Wait on cement (WOC) for Water Basin: After cementing but before commencing any tests, the casing string shall stand cemented under pressure until both of the following conditions have been met: 1) cement reaches a minimum compressive strength of 500 psi at the shoe, 2) until cement has been in place at least 8 hours. WOC time will be recorded in the driller's log. See individual casing strings for details regarding lead cement slurry requirements. The casing integrity test can be done (prior to the cement setting up) immediately after bumping the plug.
4. Provide compressive strengths including hours to reach required 500 pounds compressive strength prior to cementing each casing string. Have well specific cement details onsite prior to pumping the cement for each casing string.

5. No pea gravel permitted for remedial or fall back remedial without prior authorization from the BLM engineer.
6. On that portion of any well approved for a 5M BOPE system or greater, a pressure integrity test of each casing shoe shall be performed. Formation at the shoe shall be tested to a minimum of the mud weight equivalent anticipated to control the formation pressure to the next casing depth or at total depth of the well. This test shall be performed before drilling more than 20 feet of new hole.
7. If hardband drill pipe is rotated inside casing, returns will be monitored for metal. If metal is found in samples, drill pipe will be pulled and rubber protectors which have a larger diameter than the tool joints of the drill pipe will be installed prior to continuing drilling operations.
8. Whenever a casing string is cemented in the R-111-P potash area, the NMOCD requirements shall be followed.

B. PRESSURE CONTROL

1. All blowout preventer (BOP) and related equipment (BOPE) shall comply with well control requirements as described in **43 CFR part 3170 Subpart 3172** and **API STD 53 Sec. 5.3**.
2. If a variance is approved for a flexible hose to be installed from the BOP to the choke manifold, the following requirements apply: The flex line must meet the requirements of API 16C. Check condition of flexible line from BOP to choke manifold, replace if exterior is damaged or if line fails test. Line to be as straight as possible with no hard bends and is to be anchored according to Manufacturer's requirements. The flexible hose can be exchanged with a hose of equal size and equal or greater pressure rating. Anchor requirements, specification sheet and hydrostatic pressure test certification matching the hose in service, to be onsite for review. These documents shall be posted in the company man's trailer and on the rig floor.
3. 5M or higher system requires an HCR valve, remote kill line and annular to match. The remote kill line is to be installed prior to testing the system and tested to stack pressure.
4. If the operator has proposed a multi-bowl wellhead assembly in the APD. The following requirements must be met:
 - a. Wellhead shall be installed by manufacturer's representatives, submit documentation with subsequent sundry.

- b. If the welding is performed by a third party, the manufacturer's representative shall monitor the temperature to verify that it does not exceed the maximum temperature of the seal.
 - c. Manufacturer representative shall install the test plug for the initial BOP test.
 - d. Whenever any seal subject to test pressure is broken, all the tests in **43 CFR part 3170 Subpart 3172** must be followed.
 - e. If the cement does not circulate and one inch operations would have been possible with a standard wellhead, the well head shall be cut off, cementing operations performed and another wellhead installed.
5. The appropriate BLM office shall be notified a minimum of 4 hours in advance for a representative to witness the tests.
 - a. In a water basin, for all casing strings utilizing slips, these are to be set as soon as the crew and rig are ready and any fallback cement remediation has been done. The casing cut-off and BOP installation can be initiated four hours after installing the slips, which will be approximately six hours after bumping the plug. For those casing strings not using slips, the minimum wait time before cut-off is eight hours after bumping the plug. BOP/BOPE testing can begin after cut-off or once cement reaches 500 psi compressive strength (including lead cement), whichever is greater. However, if the float does not hold, cut-off cannot be initiated until cement reaches 500 psi compressive strength (including lead when specified).
 - b. In potash areas, for all casing strings utilizing slips, these are to be set as soon as the crew and rig are ready and any fallback cement remediation has been done. For all casing strings, casing cut-off and BOP installation can be initiated at twelve hours after bumping the cement plug. The BOPE test can be initiated after bumping the cement plug with the casing valve open. (only applies to single stage cement jobs, prior to the cement setting up.)
 - c. The tests shall be done by an independent service company utilizing a test plug not a cup or J-packer and can be initiated immediately with the casing valve open. The operator also has the option of utilizing an independent tester to test without a plug (i.e. against the casing) pursuant to **43 CFR part 3170 Subpart 3172** with the pressure not to exceed 70% of the burst rating for the casing. Any test against the casing must meet the WOC time for water basin (8 hours) or potash (24 hours) or 500 pounds compressive strength, whichever is greater, prior to initiating the test (see casing segment as lead cement may be critical item).
 - d. The test shall be run on a 5000 psi chart for a 2-3M BOP/BOP, on a 10000 psi chart for a 5M BOP/BOPE and on a 15000 psi chart for a 10M BOP/BOPE. If a linear chart is used, it shall be a one hour chart. A circular chart shall

have a maximum 2 hour clock. If a twelve hour or twenty-four hour chart is used, tester shall make a notation that it is run with a two hour clock.

- e. The results of the test shall be reported to the appropriate BLM office.
- f. All tests are required to be recorded on a calibrated test chart. A copy of the BOP/BOPE test chart and a copy of independent service company test will be submitted to the appropriate BLM office.
- g. The BOP/BOPE test shall include a low pressure test from 250 to 300 psi. The test will be held for a minimum of 10 minutes if test is done with a test plug and 30 minutes without a test plug. This test shall be performed prior to the test at full stack pressure.
- h. BOP/BOPE must be tested by an independent service company within 500 feet of the top of the Wolfcamp formation if the time between the setting of the intermediate casing and reaching this depth exceeds 20 days. This test does not exclude the test prior to drilling out the casing shoe as per **43 CFR part 3170 Subpart 3172**.

C. DRILLING MUD

Mud system monitoring equipment, with derrick floor indicators and visual and audio alarms, shall be operating before drilling into the Wolfcamp formation, and shall be used until production casing is run and cemented.

D. WASTE MATERIAL AND FLUIDS

All waste (i.e. drilling fluids, trash, salts, chemicals, sewage, gray water, etc.) created as a result of drilling operations and completion operations shall be safely contained and disposed of properly at a waste disposal facility. No waste material or fluid shall be disposed of on the well location or surrounding area.

Porto-johns and trash containers will be on-location during fracturing operations or any other crew-intensive operations.

KPI 11/21/2023



Salt Section Annular Clearance Variance Request

Daniel Moose

Current Design (Salt Strings)

0.422" Annular clearance requirement

- Casing collars shall have a minimum clearance of 0.422 inches on all sides in the hole/casing annulus, with recognition that variances can be granted for justified exceptions.

- 12.25" Hole x 9.625" 40# J55/HCK55 LTC Casing
 - 1.3125" Clearance to casing OD
 - 0.8125" Clearance to coupling OD
- 9.875" Hole x 8.75" 38.5# P110 Sprint-SF Casing
 - 0.5625" Clearance to casing OD
 - 0.433" Clearance to coupling OD

Annular Clearance Variance Request

EOG request permission to allow deviation from the 0.422” annulus clearance requirement for the intermediate (salt) section from Onshore Order #2 under the following conditions:

- The variance is not applicable within the Potash Boundaries or Capitan Reef areas.
- Operator takes responsibility to get casing to set point in the event that the clearance causes stuck pipe issues

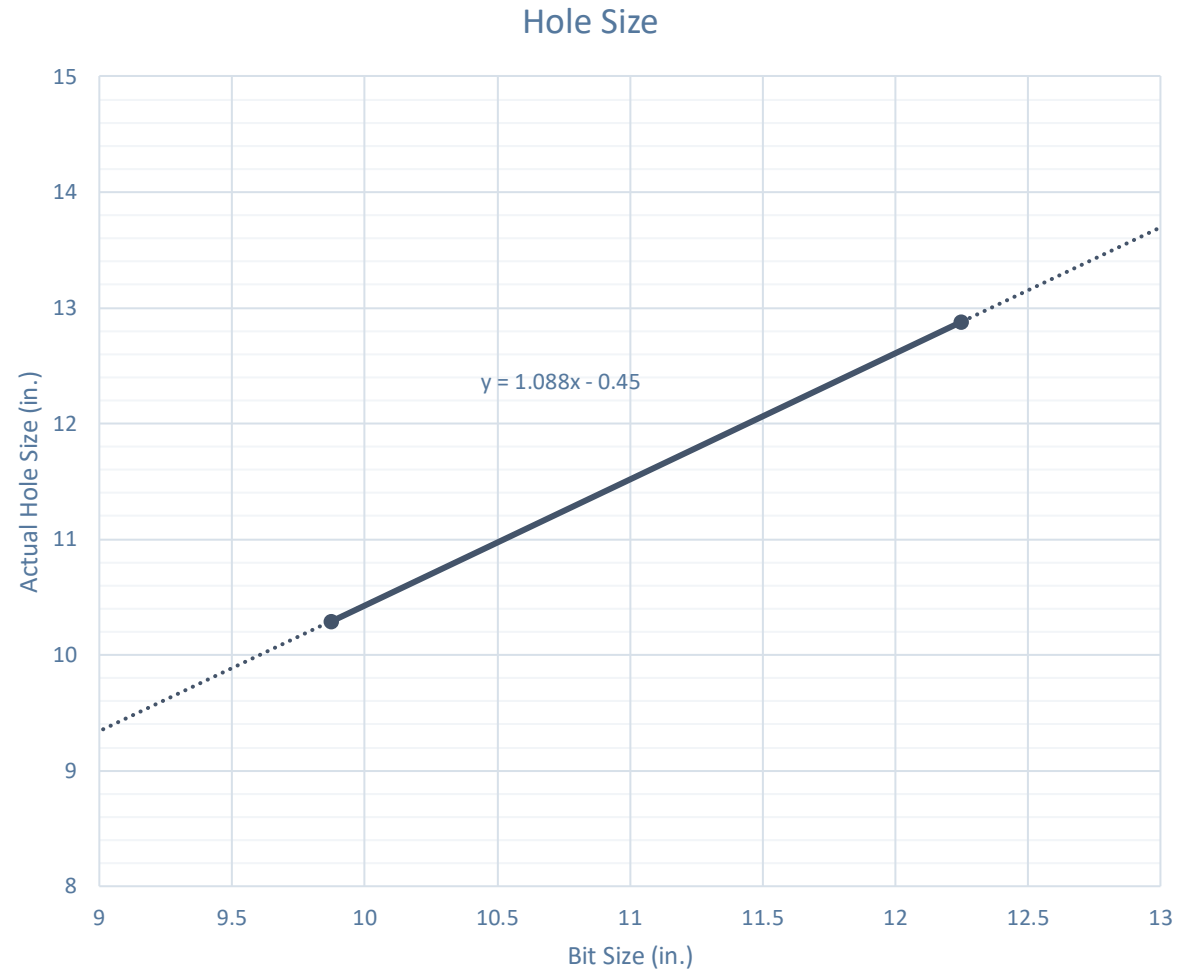
Volumetric Hole Size Calculation

Hole Size Calculations Off Cement Volumes

- Known volume of cement pumped
- Known volume of cement returned to surface
- Must not have had any losses
- Must have bumped plug

Average Hole Size

- 12.25" Hole
 - 12.88" Hole
 - 5.13% diameter increase
 - 10.52% area increase
 - 0.63" Average enlargement
 - 0.58" Median enlargement
 - 179 Well Count
- 9.875" Hole
 - 10.30" Hole
 - 4.24% diameter increase
 - 9.64% area increase
 - 0.42" Average enlargement
 - 0.46" Median enlargement
 - 11 Well Count

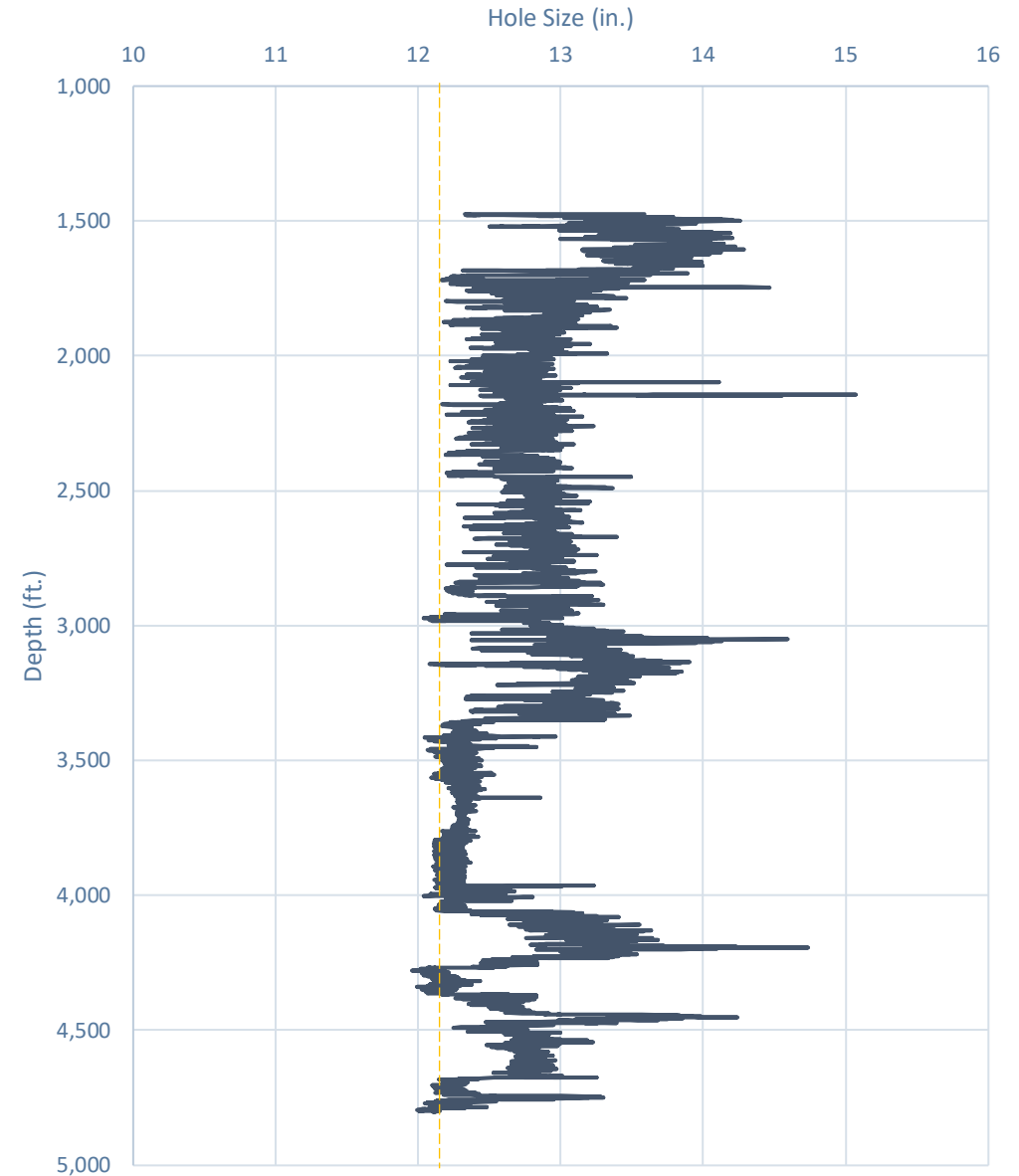


Caliper Hole Size (12.25")

Average Hole Size

- 12.25" Bit
 - 12.76" Hole
 - 4.14% diameter increase
 - 8.44% area increase
 - 0.51" Average enlargement
 - 0.52" Median enlargement
 - Brine

Modelo 10 Fed Com #501H

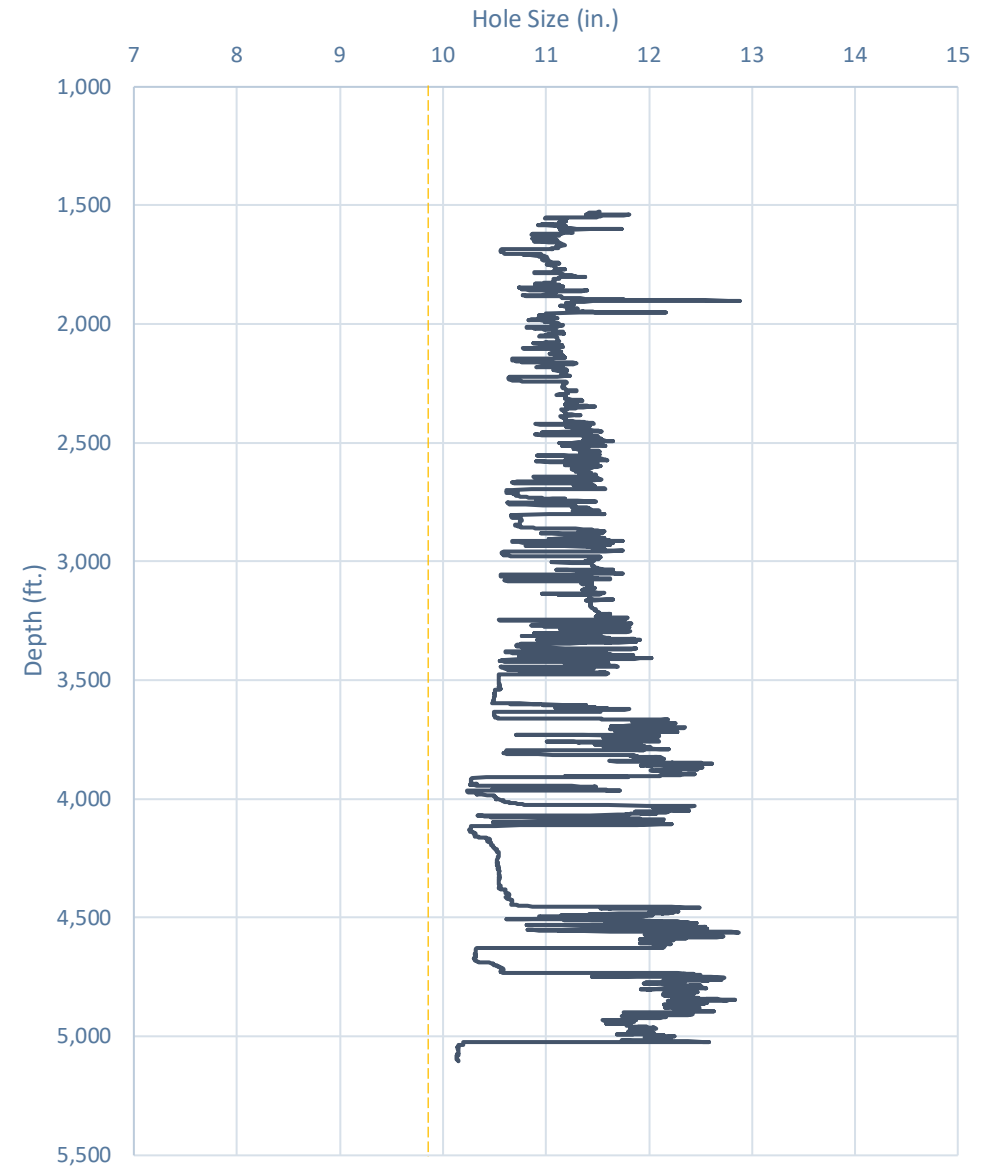


Caliper Hole Size (9.875")

Average Hole Size

- 9.875" Hole
 - 11.21" Hole
 - 13.54% diameter increase
 - 28.92% area increase
 - 1.33" Average enlargement
 - 1.30" Median enlargement
 - EnerLite

Whirling Wind 11 Fed Com #744H



Design A

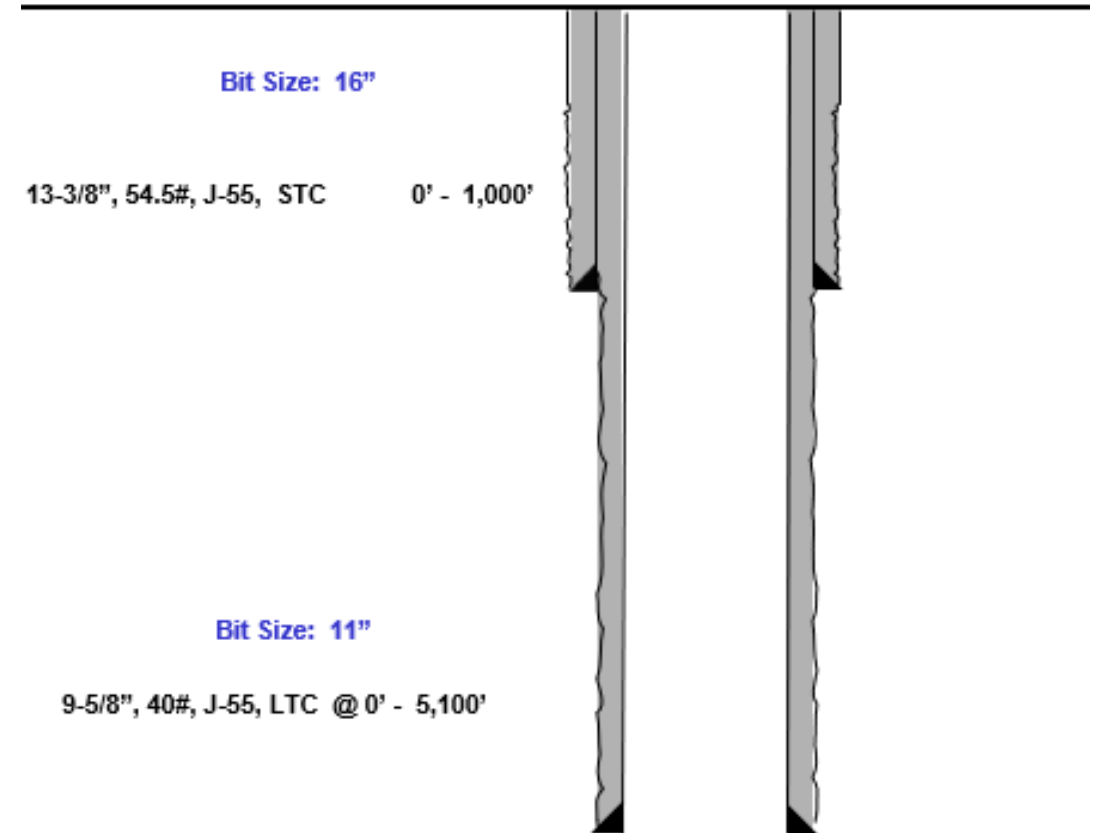
Proposed 11" Hole with 9.625" 40# J55/HCK55 LTC Casing

- 11" Bit + 0.52" Average hole enlargement = 11.52" Hole Size
 - 0.9475" Clearance to casing OD

$$= \frac{11.52 - 9.625}{2}$$
 - 0.4475" Clearance to coupling OD

$$= \frac{11.52 - 10.625}{2}$$
- Previous Shoe – 13.375" 54.5# J55 STC
 - 0.995" Clearance to coupling OD (~1,200' overlap)

$$= \frac{12.615 - 10.625}{2}$$



Design B

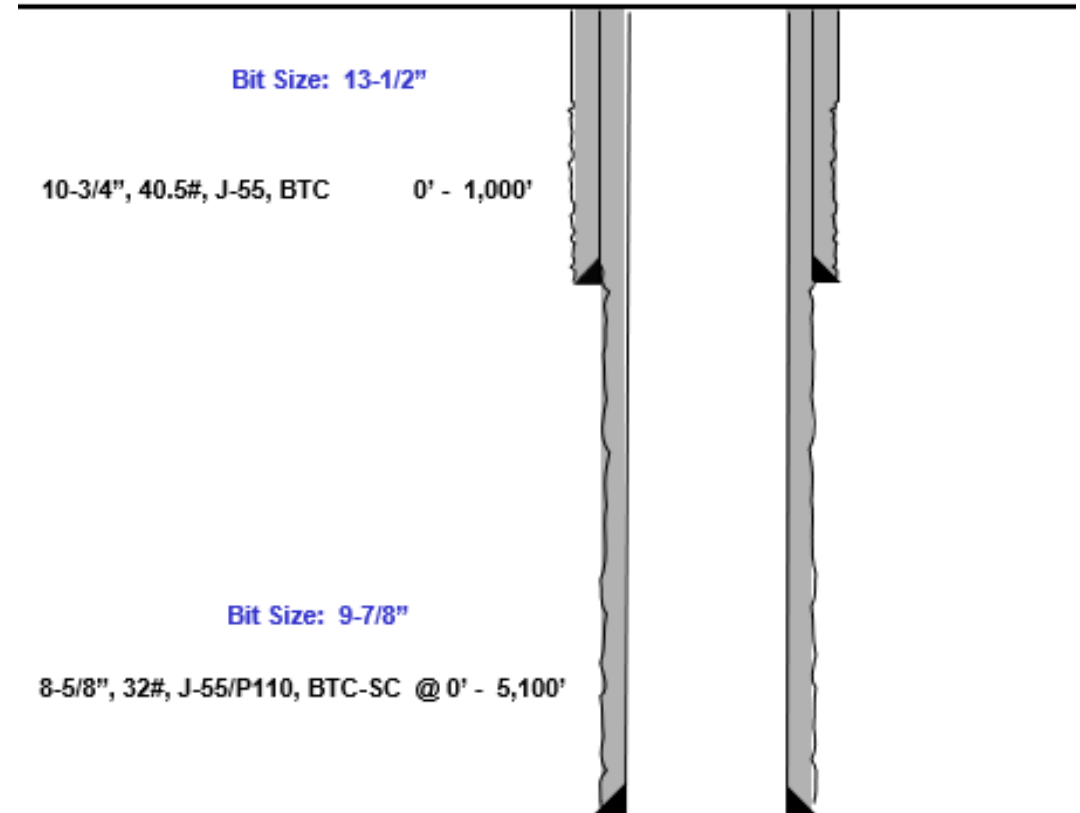
Proposed 9.875" Hole with 8.625" 32# J55/P110 BTC-SC Casing

- 9.875" Bit + 0.42" Average hole enlargement = 10.295" Hole Size
 - 0.835" Clearance to casing OD

$$= \frac{10.295 - 8.625}{2}$$
 - 0.585" Clearance to coupling OD

$$= \frac{10.295 - 9.125}{2}$$
- Previous Shoe – 10.75" 40.5# J55 STC
 - 0.4625" Clearance to coupling OD (~1,200' overlap)

$$= \frac{10.05 - 9.125}{2}$$





Index



Casing Spec Sheets

Pipe Body and API Connections Performance Data

10.750 40.50/0.350 J55

PDF


New Search »

« Back to Previous List

USC Metric

6/8/2015 10:14:05 AM

Mechanical Properties	Pipe	BTC	LTC	STC	
Minimum Yield Strength	55,000	--	--	--	psi
Maximum Yield Strength	80,000	--	--	--	psi
Minimum Tensile Strength	75,000	--	--	--	psi
Dimensions	Pipe	BTC	LTC	STC	
Outside Diameter	10.750	11.750	--	11.750	in.
Wall Thickness	0.350	--	--	--	in.
Inside Diameter	10.050	10.050	--	10.050	in.
Standard Drift	9.894	9.894	--	9.894	in.
Alternate Drift	--	--	--	--	in.
Nominal Linear Weight, T&C	40.50	--	--	--	lbs/ft
Plain End Weight	38.91	--	--	--	lbs/ft
Performance	Pipe	BTC	LTC	STC	
Minimum Collapse Pressure	1,580	1,580	--	1,580	psi
Minimum Internal Yield Pressure	3,130	3,130	--	3,130	psi
Minimum Pipe Body Yield Strength	629.00	--	--	--	1000 lbs
Joint Strength	--	700	--	420	1000 lbs
Reference Length	--	11,522	--	6,915	ft
Make-Up Data	Pipe	BTC	LTC	STC	
Make-Up Loss	--	4.81	--	3.50	in.
Minimum Make-Up Torque	--	--	--	3,150	ft-lbs
Maximum Make-Up Torque	--	--	--	5,250	ft-lbs



API 5CT, 10th Ed. Connection Data Sheet

O.D. (in)	WEIGHT (lb/ft)	WALL (in)	GRADE	*API DRIFT (in)	RBW %
8.625	Nominal: 32.00 Plain End: 31.13	0.352	J55	7.796	87.5

Material Properties (PE)	
Pipe	
Minimum Yield Strength:	55 ksi
Maximum Yield Strength:	80 ksi
Minimum Tensile Strength:	75 ksi
Coupling	
Minimum Yield Strength:	55 ksi
Maximum Yield Strength:	80 ksi
Minimum Tensile Strength:	75 ksi

Pipe Body Data (PE)	
Geometry	
Nominal ID:	7.92 inch
Nominal Area:	9.149 in ²
*Special/Alt. Drift:	7.875 inch
Performance	
Pipe Body Yield Strength:	503 kips
Collapse Resistance:	2,530 psi
Internal Yield Pressure: (API Historical)	3,930 psi

API Connection Data	
Coupling OD: 9.625"	
STC Performance	
STC Internal Pressure:	3,930 psi
STC Joint Strength:	372 kips
LTC Performance	
LTC Internal Pressure:	3,930 psi
LTC Joint Strength:	417 kips
SC-BTC Performance - Cplg OD = 9.125"	
BTC Internal Pressure:	3,930 psi
BTC Joint Strength:	503 kips

API Connection Torque		
STC Torque (ft-lbs)		
Min:	2,793	Opti: 3,724
Max:	4,655	
LTC Torque (ft-lbs)		
Min:	3,130	Opti: 4,174
Max:	5,217	
BTC Torque (ft-lbs)		
<i>follow API guidelines regarding positional make up</i>		

*Alt. Drift will be used unless API Drift is specified on order.
 **If above API connections do not suit your needs, VAM® premium connections are available up to 100% of pipe body ratings.

ALL INFORMATION IS PROVIDED BY VALLOUREC OR ITS AFFILIATES AT USER'S SOLE RISK, WITHOUT LIABILITY FOR LOSS, DAMAGE OR INJURY RESULTING FROM THE USE THEREOF, AND ON AN "AS IS" BASIS WITHOUT WARRANTY OR REPRESENTATION OF ANY KIND, WHETHER EXPRESS OR IMPLIED, INCLUDING WITHOUT LIMITATION ANY WARRANTY OF MERCHANTABILITY, FITNESS FOR PURPOSE, ACCURACY OR COMPLETENESS. THE INFORMATION CONTAINED IN THIS DOCUMENT IS PROVIDED FOR INFORMATIONAL PURPOSES ONLY AND IS BASED ON ESTIMATES THAT HAVE NOT BEEN VERIFIED OR TESTED. IN NO EVENT SHALL VALLOUREC OR ITS AFFILIATES BE RESPONSIBLE FOR ANY INDIRECT, SPECIAL, INCIDENTAL, PUNITIVE, EXEMPLARY OR CONSEQUENTIAL LOSS OR DAMAGE (INCLUDING WITHOUT LIMITATION, LOSS OF USE, LOSS OF BARGAIN, LOSS OF REVENUE, PROFIT OR ANTICIPATED PROFIT) HOWEVER CAUSED OR ARISING, AND WHETHER SUCH LOSSES OR DAMAGES WERE FORESEEABLE OR VALLOUREC OR ITS AFFILIATES WERE ADVISED OF THE POSSIBILITY OF SUCH DAMAGES.

Rev 3, 7/30/2021
10/21/2022 15:24

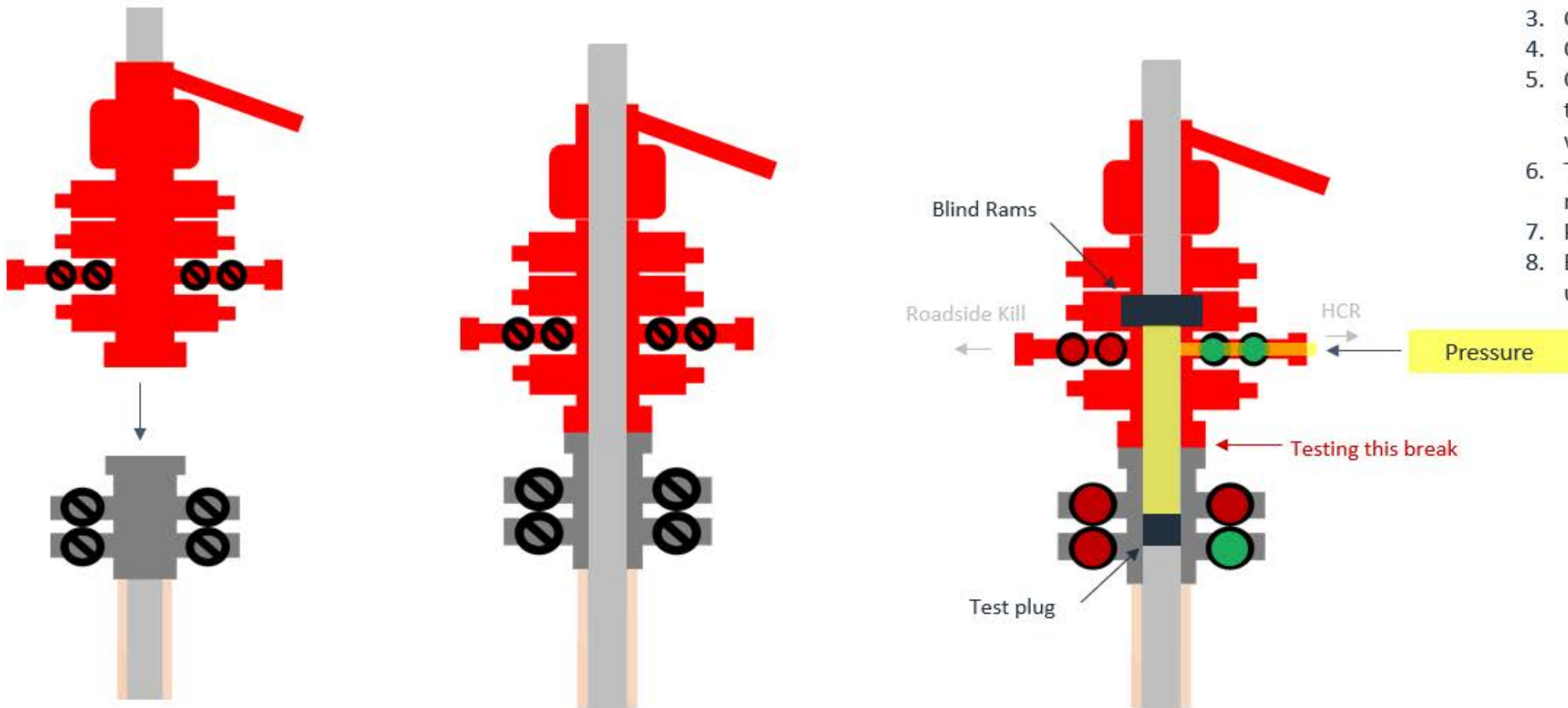


Break-test BOP & Offline Cementing:

EOG Resources Inc. (EOG) respectfully requests a variance from the minimum standards for well control equipment testing of ECFR Title 43 Part 3172.6(b)(9)(iv) to allow a testing schedule of the blow out preventer (BOP) and blow out prevention equipment (BOPE) along with Batch Drilling & Offline cement operations to include the following:

- Full BOPE test at first installation on the pad.
- Full BOPE test every 21 days.
- This test will be conducted for 5M rated hole intervals only.
- Each rig requesting the break-test variance is capable of picking up the BOP without damaging components using winches, following API Standard 53, Well Control Equipment Systems for Drilling Wells (Fifth edition, December 2018, Annex C. Table C.4) which recognizes break testing as an acceptable practice.
- Function tests will be performed on the following BOP elements:
 - Annular ã during each full BOPE test
 - Upper Pipe Rams ã On trip ins where FIT required
 - Blind Rams ã Every trip
 - Lower Pipe Rams ã during each full BOPE test
- Break testing BOP and BOPE coupled with batch drilling operations and option to offline cement and/or remediate (if needed) any surface or intermediate sections, according to attached offline cementing support documentation.
- After the well section is secured, the BOP will be disconnected from the wellhead and walked with the rig to another well on the pad.
- TA cap will also be installed per Wellhead vendor procedure and pressure inside the casing will be monitored via the valve on the TA cap as per standard batch drilling ops.

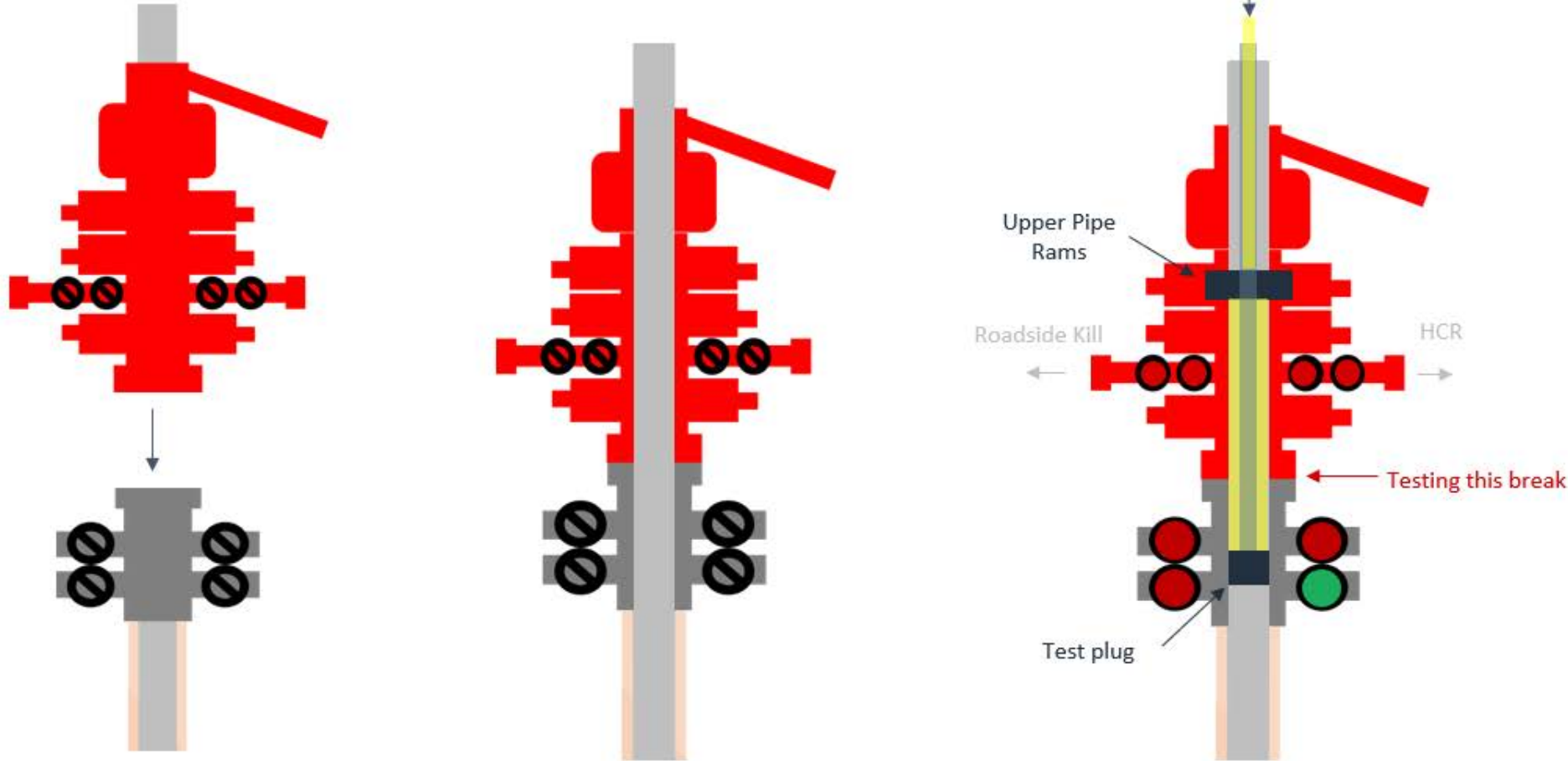
Break Test Diagram (HCR valve)



Steps

1. Set plug in wellhead (lower barrier)
2. Close Blind Rams (upper barrier)
3. Close roadside kill
4. Open HCR (pressure application)
5. Open wellhead valves below test plug to ensure if leak past test plug, pressure won't be applied to wellbore
6. Tie BOP testers high pressure line to main choke manifold crown valve
7. Pressure up to test break
8. Bleed test pressure from BOP testing unit

Break Test Diagram (Test Joint)



Steps

1. Set plug in with test joint wellhead (lower barrier)
2. Close Upper Pipe Rams (upper barrier)
3. Close roadside kill
4. Close HCR
5. Open wellhead valves below test plug to ensure if leak past test plug, pressure won't be applied to wellbore
6. Tie BOP testers high pressure line to top of test joint
7. Pressure up to test break
8. Bleed test pressure from BOP testing unit



Offline Intermediate Cementing Procedure

2/24/2022

Cement Program

1. No changes to the cement program will take place for offline cementing.

Summarized Operational Procedure for Intermediate Casing

1. Run casing as per normal operations. While running casing, conduct negative pressure test and confirm integrity of the float equipment back pressure valves.
 - a. Float equipment is equipped with two back pressure valves rated to a minimum of 5,000 psi.
2. Land production casing on mandrel hanger through BOP.
 - a. If casing is unable to be landed with a mandrel hanger, then the **casing will be cemented online.**
3. Break circulation and confirm no restrictions.
 - a. Ensure no blockage of float equipment and appropriate annular returns.
 - b. Perform flow check to confirm well is static.
4. Set pack-off
 - a. If utilizing a fluted/ported mandrel hanger, ensure well is static on the annulus and inside the casing by filling the pipe with kill weight fluid, remove landing joint, and set annular packoff through BOP. Pressure test to 5,000 psi for 10 min.
 - b. If utilizing a solid mandrel hanger, ensure well is static on the annulus and inside the casing by filling the pipe with kill weight fluid. Pressure test seals to 5,000 psi for 10 min. Remove landing joint through BOP.
5. After confirmation of both annular barriers and the two casing barriers, install TA plug and pressure test to 5,000 psi for 10 min. Notify the BLM with intent to proceed with nipple down and offline cementing.
 - a. Minimum 4 hrs notice.
6. With the well secured and BLM notified, nipple down BOP and secure on hydraulic carrier or cradle.
 - a. **Note, if any of the barriers fail to test, the BOP stack will not be nipped down until after the cement job has concluded and both lead and tail slurry have reached 500 psi.**
7. Skid/Walk rig off current well.
8. Confirm well is static before removing TA Plug.
 - a. Cementing operations will not proceed until well is under control. (If well is not static, notify BLM and proceed to kill)
 - b. Casing outlet valves will provide access to both the casing ID and annulus. Rig or third party pump truck will kill well prior to cementing.
 - c. Well control plan can be seen in Section B, Well Control Procedures.
 - d. If need be, rig can be moved back over well and BOP nipped back up for any further remediation.



Offline Intermediate Cementing Procedure

2/24/2022

- e. Diagram for rig positioning relative to offline cementing can be seen in Figure 4.
9. Rig up return lines to take returns from wellhead to pits and rig choke.
 - a. Test all connections and lines from wellhead to choke manifold to 5,000 psi high for 10 min.
 - b. If either test fails, perform corrections and retest before proceeding.
 - c. Return line schematics can be seen in Figure 3.
10. Remove TA Plug from the casing.
11. Install offline cement tool.
 - a. Current offline cement tool schematics can be seen in Figure 1 (Cameron) and Figure 2 (Cactus).
12. Rig up cement head and cementing lines.
 - a. Pressure test cement lines against cement head to 80% of casing burst for 10 min.
13. Break circulation on well to confirm no restrictions.
 - a. If gas is present on circulation, well will be shut in and returns rerouted through gas buster.
 - b. Max anticipated time before circulating with cement truck is 6 hrs.
14. Pump cement job as per plan.
 - a. At plug bump, test casing to 0.22 psi/ft or 1500 psi, whichever is greater.
 - b. If plug does not bump on calculated, shut down and wait 8 hrs or 500 psi compressive strength, whichever is greater before testing casing.
15. Confirm well is static and floats are holding after cement job.
 - a. With floats holding and backside static:
 - i. Remove cement head.
 - b. If floats are leaking:
 - i. Shut-in well and WOC (Wait on Cement) until tail slurry reaches 500 psi compressive strength and the casing is static prior to removing cement head.
 - c. If there is flow on the backside:
 - i. Shut in well and WOC until tail slurry reaches 500 psi compressive strength. Ensure that the casing is static prior to removing cement head.
16. Remove offline cement tool.
17. Install night cap with pressure gauge for monitoring.
18. Test night cap to 5,000 psi for 10 min.



Offline Intermediate Cementing Procedure

2/24/2022

Example Well Control Plan Content

A. Well Control Component Table

The table below, which covers the cementing of the **5M MASP (Maximum Allowable Surface Pressure) portion of the well**, outlines the well control component rating in use. This table, combined with the mud program, documents that two barriers to flow can be maintained at all times, independent of the BOP nipped up to the wellhead.

Intermediate hole section, 5M requirement

Component	RWP
Pack-off	10M
Casing Wellhead Valves	10M
Annular Wellhead Valves	5M
TA Plug	10M
Float Valves	5M
2" 1502 Lo-Torque Valves	15M

B. Well Control Procedures

Well control procedures are specific to the rig equipment and the operation at the time the kick occurs. Below are the minimal high-level tasks prescribed to assure a proper shut-in while circulating and cementing through the Offline Cement Adapter.

General Procedure While Circulating

1. Sound alarm (alert crew).
2. Shut down pumps.
3. Shut-in Well (close valves to rig pits and open valve to rig choke line. Rig choke will already be in the closed position).
4. Confirm shut-in.
5. Notify tool pusher/company representative.

Page | 3



Offline Intermediate Cementing Procedure

2/24/2022

6. Read and record the following:
 - a. SICP (Shut in Casing Pressure) and AP (Annular Pressure)
 - b. Pit gain
 - c. Time
 - d. Regroup and identify forward plan to continue circulating out kick via rig choke and mud/gas separator. Circulate and adjust mud density as needed to control well.

General Procedure While Cementing

1. Sound alarm (alert crew).
2. Shut down pumps.
3. Shut-in Well (close valves to rig pits and open valve to rig choke line. Rig choke will already be in the closed position).
4. Confirm shut-in.
5. Notify tool pusher/company representative.
6. Open rig choke and begin pumping again taking returns through choke manifold and mud/gas separator.
7. Continue to place cement until plug bumps.
8. At plug bump close rig choke and cement head.
9. Read and record the following
 - a. SICP and AP
 - b. Pit gain
 - c. Time
 - d. Shut-in annulus valves on wellhead

General Procedure After Cementing

1. Sound alarm (alert crew).
2. Shut-in Well (close valves to rig pits and open valve to rig choke line. Rig choke will already be in the closed position).
3. Confirm shut-in.
4. Notify tool pusher/company representative.
5. Read and record the following:
 - a. SICP and AP
 - b. Pit gain
 - c. Time
 - d. Shut-in annulus valves on wellhead



Figure 1: Cameron TA Plug and Offline Adapter Schematic

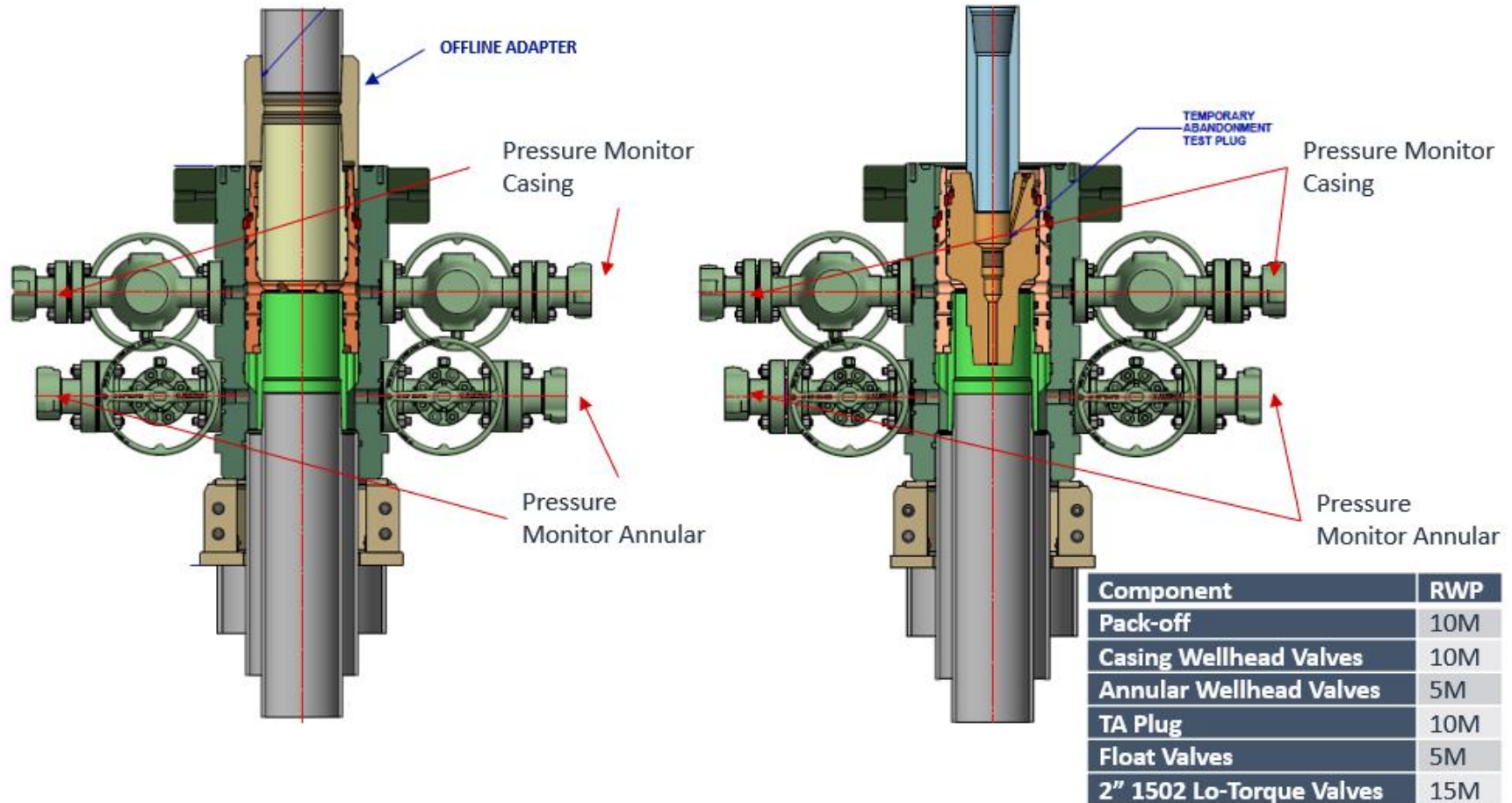
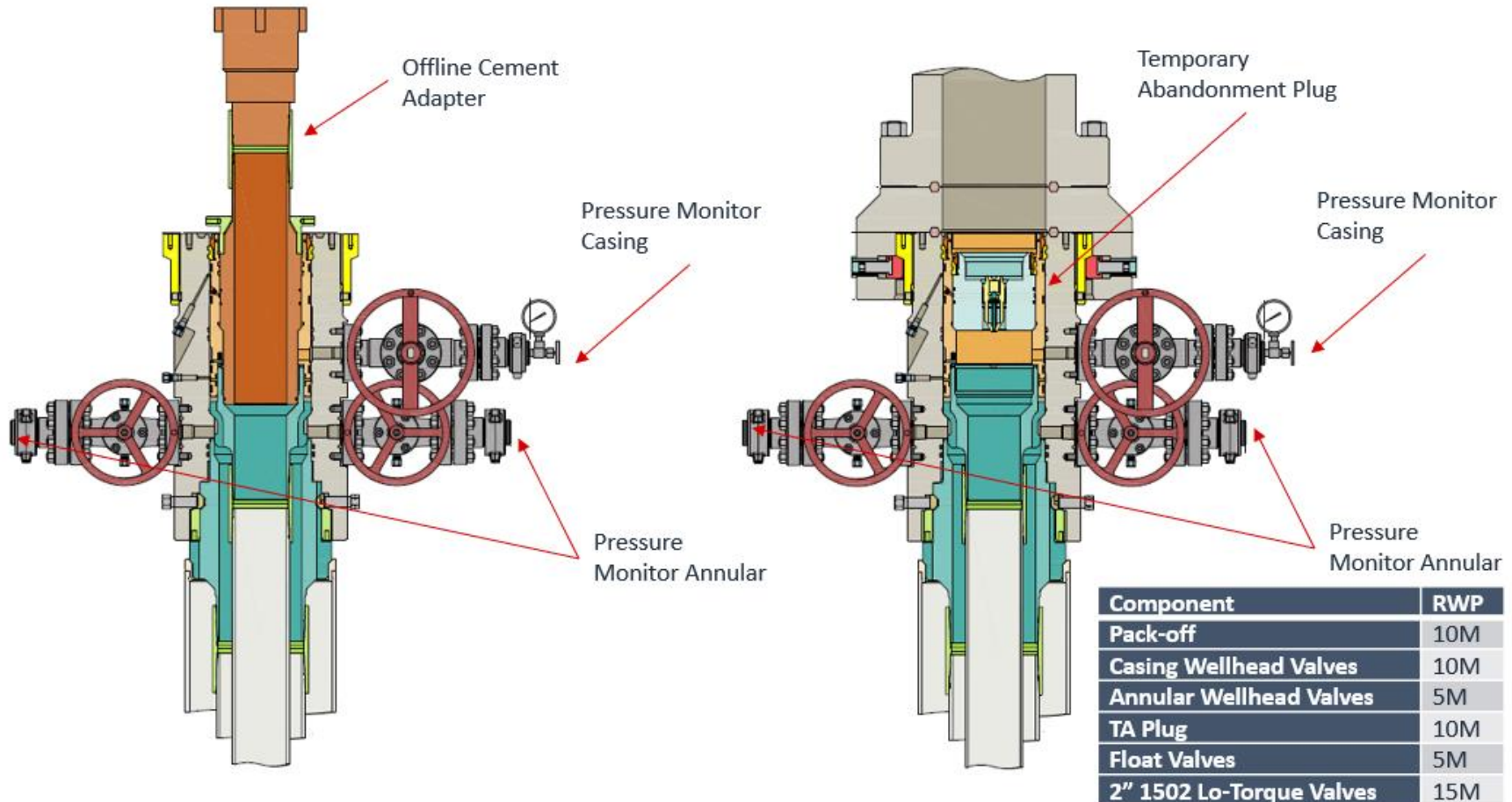




Figure 2: Cactus TA Plug and Offline Adapter Schematic

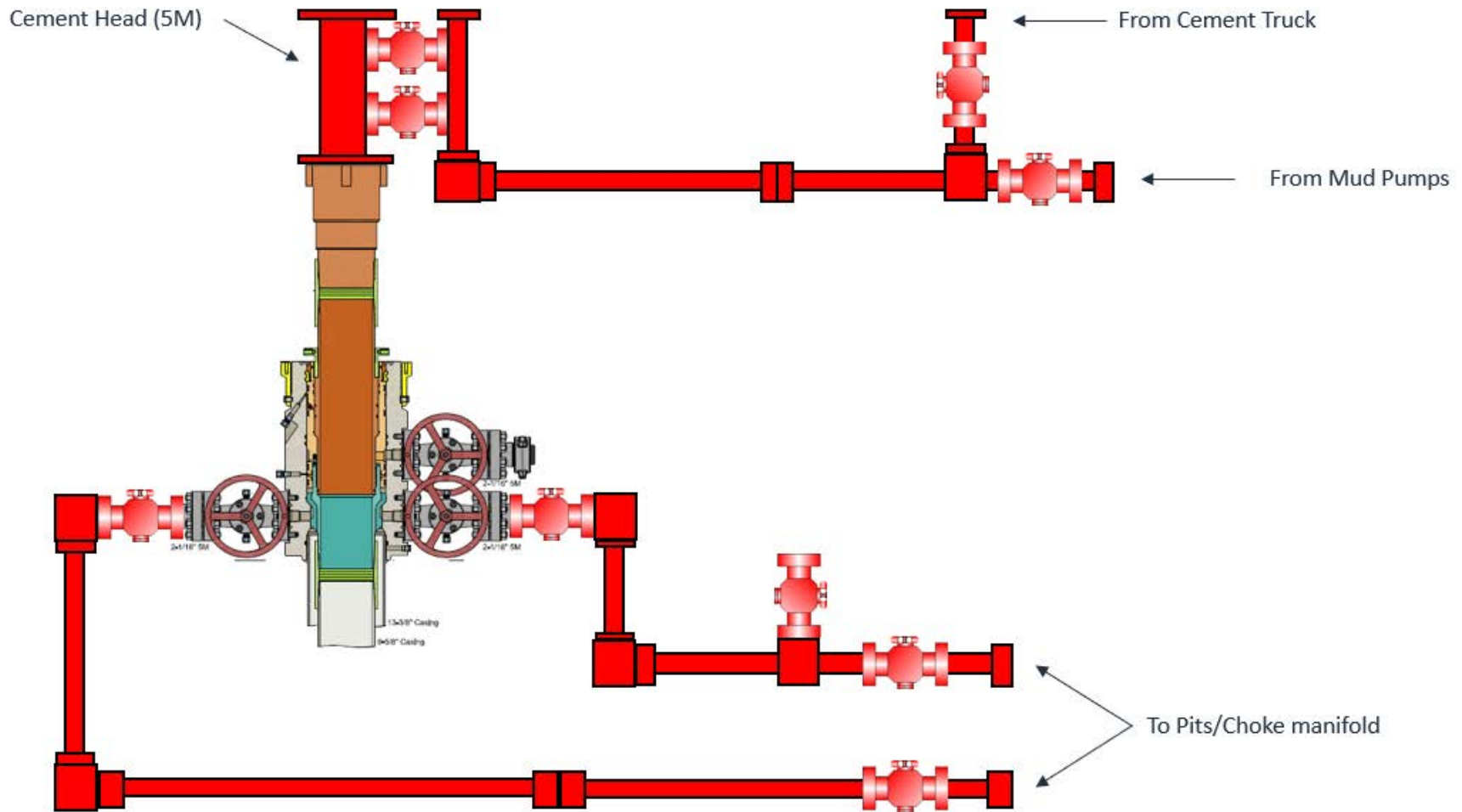




Offline Intermediate Cementing Procedure

2/24/2022

Figure 3: Back Yard Rig Up



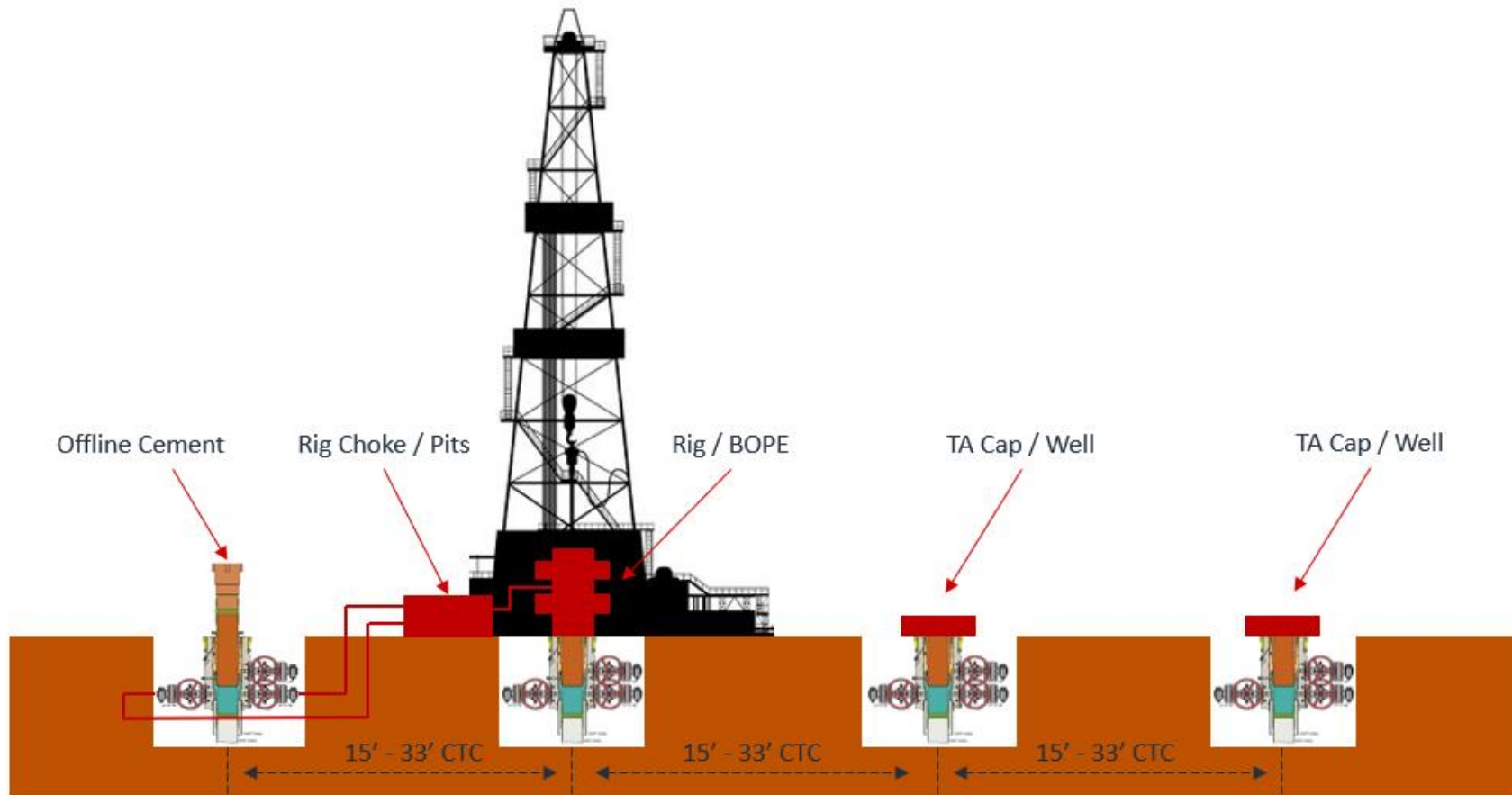
*** All Lines 10M rated working pressure



Offline Intermediate Cementing Procedure

2/24/2022

Figure 4: Rig Placement Diagram



**Amazing 19 Fed Package**

Wells in package:	Tgt TVD
Jefe 29 Fed Com #102H	8,818
Jefe 29 Fed Com #103H	8,818
Jefe 29 Fed Com #104H	8,818
Jefe 29 Fed Com #105H	8,818
Jefe 29 Fed Com #106H	8,818
Jefe 29 Fed Com #107H	8,818
Jefe 29 Fed Com #108H	8,818
Jefe 29 Fed Com #201H	8,907
Jefe 29 Fed Com #202H	8,907
Jefe 29 Fed Com #203H	8,907
Jefe 29 Fed Com #204H	9,094
Jefe 29 Fed Com #205H	9,094
Jefe 29 Fed Com #206H	9,094
Jefe 29 Fed Com #207H	9,094
Jefe 29 Fed Com #208H	8,907
Jefe 29 Fed Com #209H	8,907
Jefe 29 Fed Com #210H	8,907
Jefe 29 Fed Com #211H	8,907
Jefe 29 Fed Com #212H	8,907
Jefe 29 Fed Com #213H	8,907
Jefe 29 Fed Com #214H	8,907
Jefe 29 Fed Com #215H	8,907
Jefe 29 Fed Com #301H	9,499
Jefe 29 Fed Com #302H	9,499
Jefe 29 Fed Com #303H	9,499
Jefe 29 Fed Com #304H	9,499
Jefe 29 Fed Com #305H	9,499
Jefe 29 Fed Com #306H	9,499
Jefe 29 Fed Com #581H	10,960
Jefe 29 Fed Com #582H	10,960
Jefe 29 Fed Com #584H	10,960
Jefe 29 Fed Com #586H	10,960

District I
 1625 N. French Dr., Hobbs, NM 88240
 Phone:(575) 393-6161 Fax:(575) 393-0720

District II
 811 S. First St., Artesia, NM 88210
 Phone:(575) 748-1283 Fax:(575) 748-9720

District III
 1000 Rio Brazos Rd., Aztec, NM 87410
 Phone:(505) 334-6178 Fax:(505) 334-6170

District IV
 1220 S. St Francis Dr., Santa Fe, NM 87505
 Phone:(505) 476-3470 Fax:(505) 476-3462

State of New Mexico
Energy, Minerals and Natural Resources
Oil Conservation Division
1220 S. St Francis Dr.
Santa Fe, NM 87505

CONDITIONS

Action 288693

CONDITIONS

Operator: EOG RESOURCES INC P.O. Box 2267 Midland, TX 79702	OGRID: 7377
	Action Number: 288693
	Action Type: [C-103] NOI Change of Plans (C-103A)

CONDITIONS

Created By	Condition	Condition Date
pkautz	None	12/27/2023