

Form 3160-3  
(June 2015)

FORM APPROVED  
OMB No. 1004-0137  
Expires: January 31, 2018

UNITED STATES  
DEPARTMENT OF THE INTERIOR  
BUREAU OF LAND MANAGEMENT  
**APPLICATION FOR PERMIT TO DRILL OR REENTER**

1a. Type of work: <input checked="" type="checkbox"/> DRILL <input type="checkbox"/> REENTER		5. Lease Serial No. NMNM0455265
1b. Type of Well: <input type="checkbox"/> Oil Well <input checked="" type="checkbox"/> Gas Well <input type="checkbox"/> Other		6. If Indian, Allottee or Tribe Name
1c. Type of Completion: <input type="checkbox"/> Hydraulic Fracturing <input checked="" type="checkbox"/> Single Zone <input type="checkbox"/> Multiple Zone		7. If Unit or CA Agreement, Name and No.
2. Name of Operator MEWBOURNE OIL COMPANY		8. Lease Name and Well No. WINE MIXER 21/20 FED COM 526H
3a. Address P O BOX 5270, HOBBS, NM 88241		9. API Well No. 30-015-57148
3b. Phone No. (include area code) (575) 393-5905		10. Field and Pool, or Exploratory AVALON/BONE SPRING
4. Location of Well (Report location clearly and in accordance with any State requirements. *) At surface NESE / 1420 FSL / 750 FEL / LAT 32.555696 / LONG -104.2800278 At proposed prod. zone NWSW / 1850 FSL / 100 FWL / LAT 32.5570208 / LONG -104.3115932		11. Sec., T. R. M. or Blk. and Survey or Area SEC 21/T20S/R27E/NMP
14. Distance in miles and direction from nearest town or post office* 9 miles		12. County or Parish EDDY
15. Distance from proposed* location to nearest property or lease line, ft. (Also to nearest drig. unit line, if any) 100 feet		13. State NM
16. No of acres in lease		17. Spacing Unit dedicated to this well 320.0
18. Distance from proposed location* to nearest well, drilling, completed, applied for, on this lease, ft. 20 feet		20. BLM/BIA Bond No. in file FED: NM1693
21. Elevations (Show whether DF, KDB, RT, GL, etc.) 3243 feet		22. Approximate date work will start* 04/20/2025
		23. Estimated duration 60 days
24. Attachments		

The following, completed in accordance with the requirements of Onshore Oil and Gas Order No. 1, and the Hydraulic Fracturing rule per 43 CFR 3162.3-3 (as applicable)

- |  |   |
|--|---|
| 1. Well plat certified by a registered surveyor.   | 4. Bond to cover the operations unless covered by an existing bond on file (see Item 20 above). |
| 2. A Drilling Plan.  | 5. Operator certification.  |
| 3. A Surface Use Plan (if the location is on National Forest System Lands, the SUPO must be filed with the appropriate Forest Service Office). | 6. Such other site specific information and/or plans as may be requested by the BLM.            |

25. Signature (Electronic Submission)	Name (Printed/Typed) BRADLEY BISHOP / Ph: (575) 393-5905	Date 05/02/2025
Title Regulatory		
Approved by (Signature) (Electronic Submission)	Name (Printed/Typed) CODY LAYTON / Ph: (575) 234-5959	Date 08/08/2025
Title Assistant Field Manager Lands & Minerals	Office Carlsbad Field Office	

Application approval does not warrant or certify that the applicant holds legal or equitable title to those rights in the subject lease which would entitle the applicant to conduct operations thereon.  
Conditions of approval, if any, are attached.

Title 18 U.S.C. Section 1001 and Title 43 U.S.C. Section 1212, make it a crime for any person knowingly and willfully to make to any department or agency of the United States any false, fictitious or fraudulent statements or representations as to any matter within its jurisdiction.



(Continued on page 2)

\*(Instructions on page 2)

<b>C-102</b> Submit Electronically Via OCD Permitting	State of New Mexico Energy, Minerals & Natural Resources Department <b>OIL CONSERVATION DIVISION</b>	Revised July 9, 2024
		Submittal Type: <input checked="" type="checkbox"/> Initial Submittal <input type="checkbox"/> Amended Report <input type="checkbox"/> As Drilled

WELL LOCATION INFORMATION

API Number <b>30-015-57148</b>	Pool Code <b>96381</b>	Pool Name <b>AVALON; BONE SPRING</b>
Property Code <b>336231</b>	Property Name <b>WINE MIXER 21/20 FED COM</b>	Well Number <b>526H</b>
OGRID No. <b>14744</b>	Operator Name <b>MEWBOURNE OIL COMPANY</b>	Ground Level Elevation <b>3239'</b>
Surface Owner: <input checked="" type="checkbox"/> State <input type="checkbox"/> Fee <input type="checkbox"/> Tribal <input type="checkbox"/> Federal		Mineral Owner: <input type="checkbox"/> State <input type="checkbox"/> Fee <input type="checkbox"/> Tribal <input checked="" type="checkbox"/> Federal

Surface Location

UL	Section	Township	Range	Lot	Ft. from N/S	Ft. from E/W	Latitude	Longitude	County
I	21	20S	27E		1420 FSL	750 FEL	32.5556960°N	104.2800278°W	EDDY

Bottom Hole Location

UL	Section	Township	Range	Lot	Ft. from N/S	Ft. from E/W	Latitude	Longitude	County
L	20	20S	27E		1850 FSL	100 FWL	32.5570208°N	104.3115932°W	EDDY

Dedicated Acres <b>320</b>	Infill or Defining Well	Defining Well API	Overlapping Spacing Unit (Y/N)	Consolidation Code
Order Numbers.			Well setbacks are under Common Ownership: <input type="checkbox"/> Yes <input type="checkbox"/> No	

Kick Off Point (KOP)

UL	Section	Township	Range	Lot	Ft. from N/S	Ft. from E/W	Latitude	Longitude	County
I	21	20S	27E		1850 FSL	10 FEL	32.5568566°N	104.2776197°W	EDDY

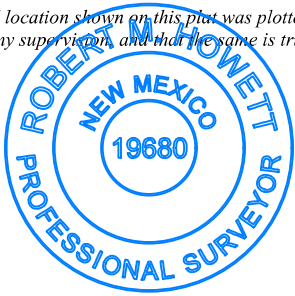
First Take Point (FTP)

UL	Section	Township	Range	Lot	Ft. from N/S	Ft. from E/W	Latitude	Longitude	County
I	21	20S	27E		1850 FSL	100 FEL	32.5568592°N	104.2779118°W	EDDY

Last Take Point (LTP)

UL	Section	Township	Range	Lot	Ft. from N/S	Ft. from E/W	Latitude	Longitude	County

Unitized Area or Area of Uniform Interest	Spacing Unit Type <input checked="" type="checkbox"/> Horizontal <input type="checkbox"/> Vertical	Ground Floor Elevation:
---	--	-------------------------

<p><b>OPERATOR CERTIFICATIONS</b></p> <p><i>I hereby certify that the information contained herein is true and complete to the best of my knowledge and belief, and, if the well is a vertical or directional well, that this organization either owns a working interest or unleased mineral interest in the land including the proposed bottom hole location or has a right to drill this well at this location pursuant to a contract with an owner of a working interest or unleased mineral interest, or to a voluntary pooling agreement or a compulsory pooling order heretofore entered by the division.</i></p> <p><i>If this well is a horizontal well, I further certify that this organization has received the consent of at least one lessee or owner of a working interest or unleased mineral interest in each tract (in the target pool or formation) in which any part of the well's completed interval will be located or obtained a compulsory pooling order from the division.</i></p> <p><i>Ryan McDaniel</i> <span style="float: right;">1/20/25</span></p> <p>Signature <span style="float: right;">Date</span></p> <p><b>RYAN MCDANIEL</b></p> <p>Printed Name</p> <p><b>RYANMCDANIEL@MEWBOURNE.COM</b></p> <p>Email Address</p>	<p><b>SURVEYOR CERTIFICATIONS</b></p> <p><i>I hereby certify that the well location shown on this plat was plotted from field notes of actual surveys made by me under my supervision, and that the same is true and correct to the best of my belief.</i></p> <div style="text-align: center;">  </div> <p>Signature and Seal of Professional Surveyor</p> <p><i>Robert M. Howett</i></p> <p>Certificate Number <span style="float: right;">Date of Survey</span></p> <p><b>19680</b> <span style="float: right;"><b>09/04/2024</b></span></p>
---	--

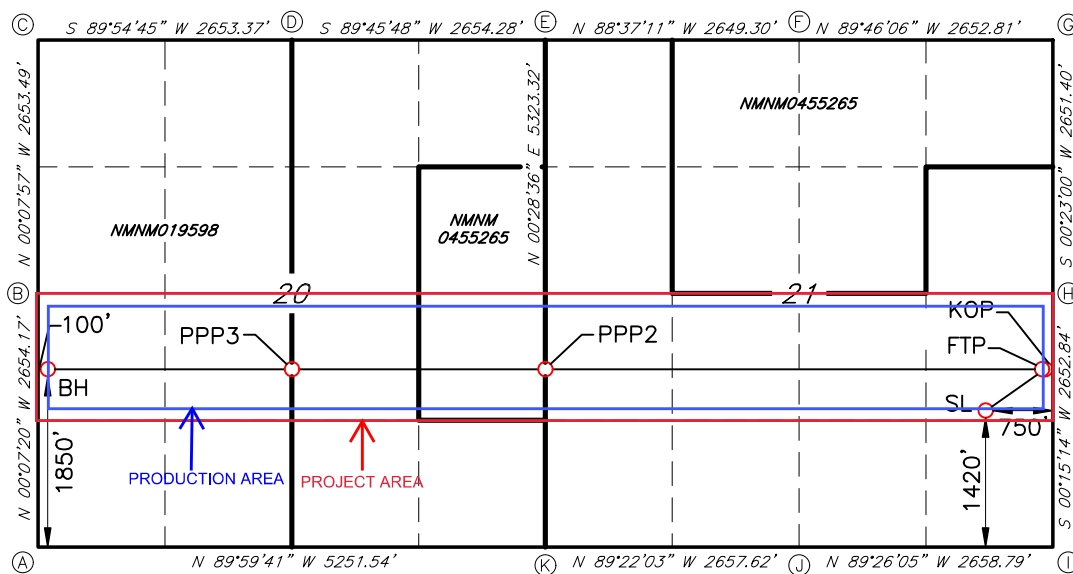
Note: No allowable will be assigned to this completion until all interests have been consolidated or a non-standard unit has been approved by the division.

ACREAGE DEDICATION PLATS

This grid represents a standard section. You may superimpose a non-standard section, or larger area, over this grid. Operators must outline the dedicated acreage in a red box, clearly show the well surface location and bottom hole location, if it is a directionally drilled, with the dimensions from the section lines in the cardinal directions. If this is a horizontal wellbore show on this plat the location of the First Take Point and Last Take Point, and the point within the Completed interval (other than the First Take Point or Last Take Point) that is closest to any outer boundary of the tract.

Surveyors shall use the latest United States government survey or dependent resurvey. Well locations will be in reference to the New Mexico Principal Meridian. If the land is not surveyed, contact the OCD Engineering Bureau. Independent subdivision surveys will not be acceptable.

WINE MIXER 21/20 FED COM #526H



GEODETTIC DATA  
NAD 83 GRID - NM EAST

SURFACE LOCATION (SL)  
N: 565897.0 - E: 557761.2

LAT: 32.5556960° N  
LONG: 104.2800278° W

KICK OFF POINT (KOP)  
1850' FSL - 10' FEL SEC. 21  
N: 566319.6 - E: 558502.9

LAT: 32.5568566° N  
LONG: 104.2776197° W

FIRST TAKE POINT (FTP)  
1850' FSL - 100' FEL SEC. 21  
N: 566320.5 - E: 558412.9

LAT: 32.5568592° N  
LONG: 104.2779118° W

PROPOSED PENETRATION POINT 2 (PPP2)  
1823' FSL - 0' FEL SEC. 20  
N: 566355.1 - E: 551887.6

LAT: 32.5569618° N  
LONG: 104.2990908° W

PROPOSED PENETRATION POINT 3 (PPP3)  
1837' FSL - 2635' FWL SEC. 20  
N: 566362.1 - E: 550570.2

LAT: 32.5569821° N  
LONG: 104.3033668° W

BOTTOM HOLE (BH)  
N: 566375.5 - E: 548035.6

LAT: 32.5570208° N  
LONG: 104.3115932° W

CORNER DATA  
NAD 83 GRID - NM EAST

A: FOUND BRASS CAP "1942"  
N: 564526.0 - E: 547939.6

B: FOUND BRASS CAP "1942"  
N: 567179.5 - E: 547933.9

C: FOUND BRASS CAP "1942"  
N: 569832.3 - E: 547927.8

D: FOUND BRASS CAP "1942"  
N: 569836.4 - E: 550580.5

E: FOUND BRASS CAP "1942"  
N: 569847.4 - E: 553234.1

F: FOUND BRASS CAP "1942"  
N: 569783.6 - E: 555882.0

G: FOUND BRASS CAP "1942"  
N: 569772.8 - E: 558534.1

H: FOUND BRASS CAP "1942"  
N: 567122.1 - E: 558516.4

I: FOUND BRASS CAP "1942"  
N: 564470.0 - E: 558504.7

J: FOUND BRASS CAP "1942"  
N: 564496.2 - E: 555846.6

K: CALCULATED CORNER  
N: 564525.5 - E: 553189.8

State of New Mexico  
Energy, Minerals and Natural Resources Department

Submit Electronically  
Via E-permitting

Oil Conservation Division  
1220 South St. Francis Dr.  
Santa Fe, NM 87505

### NATURAL GAS MANAGEMENT PLAN

This Natural Gas Management Plan must be submitted with each Application for Permit to Drill (APD) for a new or recompleted well.

#### Section 1 – Plan Description

Effective May 25, 2021

**I. Operator:** Mewbourne Oil Co. **OGRID:** 14744 **Date:** 1/20/25

**II. Type:**  Original  Amendment due to  19.15.27.9.D(6)(a) NMAC  19.15.27.9.D(6)(b) NMAC  Other.

If Other, please describe: \_\_\_\_\_

**III. Well(s):** Provide the following information for each new or recompleted well or set of wells proposed to be drilled or proposed to be recompleted from a single well pad or connected to a central delivery point.

Well Name	API	ULSTR	Footages	Anticipated Oil BBL/D	Anticipated Gas MCF/D	Anticipated Produced Water BBL/D
WINE MIXER 21/20 FED COM 526H		1 21 20S 27E	1420' FSL x 750' FEL	1500	2500	2500
				Y-400 Y2-300 Y30200	Y1-700 Y2-500 Y3-300	Y1-700 Y2-500 Y3-300

**IV. Central Delivery Point Name:** WINE MIXER 21/20 FED COM 526H [See 19.15.27.9(D)(1) NMAC]

**V. Anticipated Schedule:** Provide the following information for each new or recompleted well or set of wells proposed to be drilled or proposed to be recompleted from a single well pad or connected to a central delivery point.

Well Name	API	Spud Date	TD Reached Date	Completion Commencement Date	Initial Flow Back Date	First Production Date
WINE MIXER 21/20 FED COM 526H		3/20/25	04/20/25	05/20/25	6/4/25	6/9/25

**VI. Separation Equipment:**  Attach a complete description of how Operator will size separation equipment to optimize gas capture.

**VII. Operational Practices:**  Attach a complete description of the actions Operator will take to comply with the requirements of Subsection A through F of 19.15.27.8 NMAC.

**VIII. Best Management Practices:**  Attach a complete description of Operator's best management practices to minimize venting during active and planned maintenance.



**Section 2 – Enhanced Plan**  
**EFFECTIVE APRIL 1, 2022**

Beginning April 1, 2022, an operator that is not in compliance with its statewide natural gas capture requirement for the applicable reporting area must complete this section.

Operator certifies that it is not required to complete this section because Operator is in compliance with its statewide natural gas capture requirement for the applicable reporting area.

**IX. Anticipated Natural Gas Production:**

Well	API	Anticipated Average Natural Gas Rate MCF/D	Anticipated Volume of Natural Gas for the First Year MCF

**X. Natural Gas Gathering System (NGGS):**

Operator	System	ULSTR of Tie-in	Anticipated Gathering Start Date	Available Maximum Daily Capacity of System Segment Tie-in

**XI. Map.**  Attach an accurate and legible map depicting the location of the well(s), the anticipated pipeline route(s) connecting the production operations to the existing or planned interconnect of the natural gas gathering system(s), and the maximum daily capacity of the segment or portion of the natural gas gathering system(s) to which the well(s) will be connected.

**XII. Line Capacity.** The natural gas gathering system  will  will not have capacity to gather 100% of the anticipated natural gas production volume from the well prior to the date of first production.

**XIII. Line Pressure.** Operator  does  does not anticipate that its existing well(s) connected to the same segment, or portion, of the natural gas gathering system(s) described above will continue to meet anticipated increases in line pressure caused by the new well(s).

Attach Operator’s plan to manage production in response to the increased line pressure.

**XIV. Confidentiality:**  Operator asserts confidentiality pursuant to Section 71-2-8 NMSA 1978 for the information provided in Section 2 as provided in Paragraph (2) of Subsection D of 19.15.27.9 NMAC, and attaches a full description of the specific information for which confidentiality is asserted and the basis for such assertion.

### **Section 3 - Certifications**

**Effective May 25, 2021**

Operator certifies that, after reasonable inquiry and based on the available information at the time of submittal:

Operator will be able to connect the well(s) to a natural gas gathering system in the general area with sufficient capacity to transport one hundred percent of the anticipated volume of natural gas produced from the well(s) commencing on the date of first production, taking into account the current and anticipated volumes of produced natural gas from other wells connected to the pipeline gathering system; or

Operator will not be able to connect to a natural gas gathering system in the general area with sufficient capacity to transport one hundred percent of the anticipated volume of natural gas produced from the well(s) commencing on the date of first production, taking into account the current and anticipated volumes of produced natural gas from other wells connected to the pipeline gathering system.

***If Operator checks this box, Operator will select one of the following:***

**Well Shut-In.**  Operator will shut-in and not produce the well until it submits the certification required by Paragraph (4) of Subsection D of 19.15.27.9 NMAC; or

**Venting and Flaring Plan.**  Operator has attached a venting and flaring plan that evaluates and selects one or more of the potential alternative beneficial uses for the natural gas until a natural gas gathering system is available, including:

- (a) power generation on lease;
- (b) power generation for grid;
- (c) compression on lease;
- (d) liquids removal on lease;
- (e) reinjection for underground storage;
- (f) reinjection for temporary storage;
- (g) reinjection for enhanced oil recovery;
- (h) fuel cell production; and
- (i) other alternative beneficial uses approved by the division.

### **Section 4 - Notices**

1. If, at any time after Operator submits this Natural Gas Management Plan and before the well is spud:

(a) Operator becomes aware that the natural gas gathering system it planned to connect the well(s) to has become unavailable or will not have capacity to transport one hundred percent of the production from the well(s), no later than 20 days after becoming aware of such information, Operator shall submit for OCD's approval a new or revised venting and flaring plan containing the information specified in Paragraph (5) of Subsection D of 19.15.27.9 NMAC; or

(b) Operator becomes aware that it has, cumulatively for the year, become out of compliance with its baseline natural gas capture rate or natural gas capture requirement, no later than 20 days after becoming aware of such information, Operator shall submit for OCD's approval a new or revised Natural Gas Management Plan for each well it plans to spud during the next 90 days containing the information specified in Paragraph (2) of Subsection D of 19.15.27.9 NMAC, and shall file an update for each Natural Gas Management Plan until Operator is back in compliance with its baseline natural gas capture rate or natural gas capture requirement.

2. OCD may deny or conditionally approve an APD if Operator does not make a certification, fails to submit an adequate venting and flaring plan which includes alternative beneficial uses for the anticipated volume of natural gas produced, or if OCD determines that Operator will not have adequate natural gas takeaway capacity at the time a well will be spud.

Page 8

I certify that, after reasonable inquiry, the statements in and attached to this Natural Gas Management Plan are true and correct to the best of my knowledge and acknowledge that a false statement may be subject to civil and criminal penalties under the Oil and Gas Act.

Signature:	<i>Bradley Bishop</i>
Printed Name:	BRADLEY BISHOP
Title:	REGULATORY MANAGER
E-mail Address:	BBISHOP@MEWBOURNE.COM
Date:	1/20/25
Phone:	575-393-5905
<b>OIL CONSERVATION DIVISION (Only applicable when submitted as a standalone form)</b>	
Approved By:	
Title:	
Approval Date:	
Conditions of Approval:	

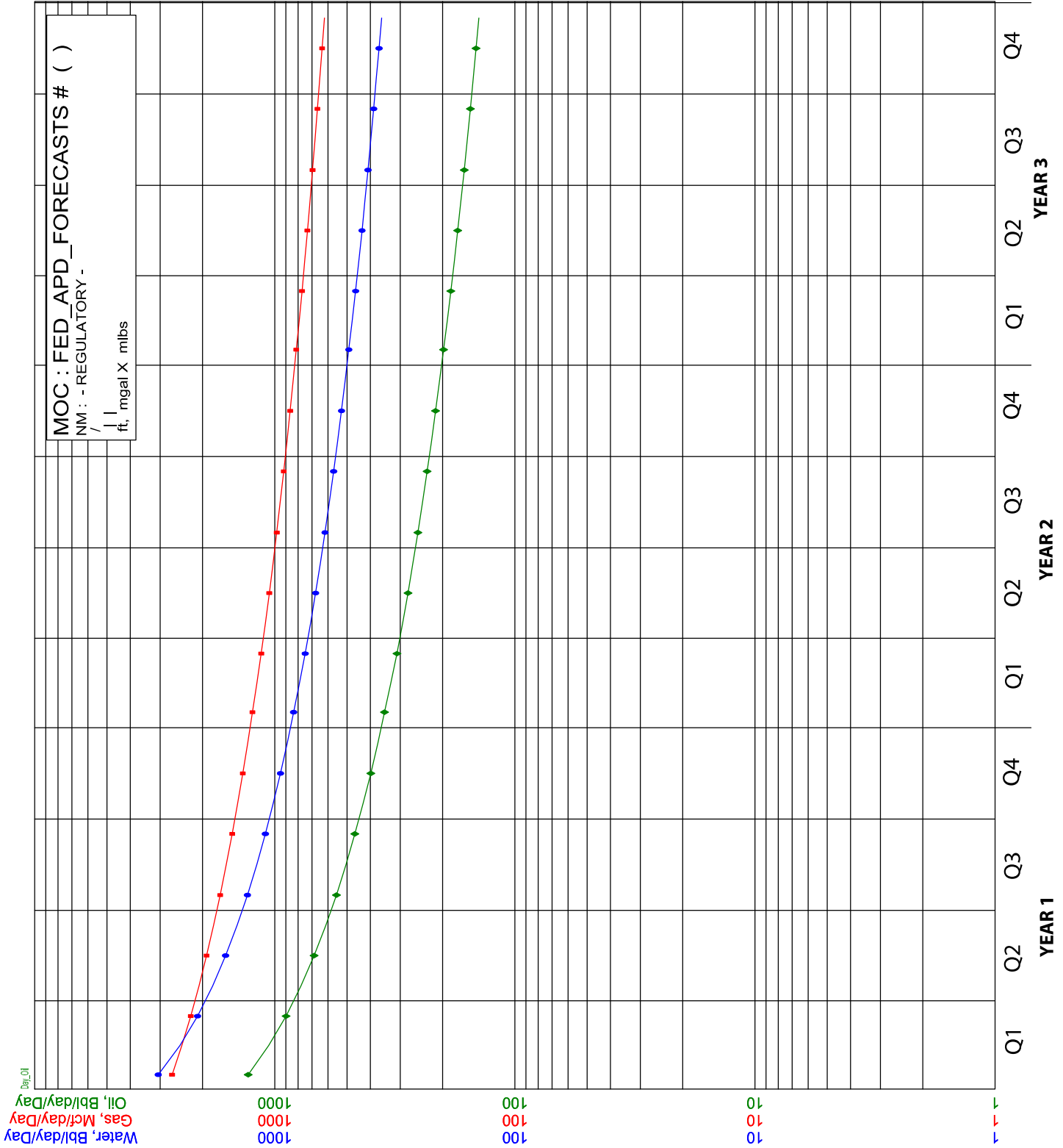
## Mewbourne Oil Company

## Natural Gas Management Plan – Attachment

- VI. Separation equipment will be sized by construction engineering staff based on stated manufacturer daily throughput capacities and anticipated daily production rates to ensure adequate capacity. Closed vent system piping, compression needs, and VRUs will be sized utilizing ProMax modelling software to ensure adequate capacity for anticipated production volumes and conditions.
- VII. Mewbourne Oil Company (MOC) will take following actions to comply with the regulations listed in 19.15.27.8 :
- A. MOC will maximize the recovery of natural gas by minimizing the waste, as defined by 19.15.2 NMAC, of natural gas through venting and flaring. MOC will ensure that well(s) will be connected to a natural gas gathering system with sufficient capacity to transport natural gas. If there is no adequate takeaway for the gas, well(s) will be shut in until the natural gas gathering system is available.
  - B. All drilling operations will be equipped with a rig flare located at least 100 ft from the nearest surface hole. Rig flare will be utilized to combust any natural gas that is brought to surface during normal drilling operations. In the case of emergency venting or flaring the volumes will be estimated and reported appropriately.
  - C. During completion operations any natural gas brought to surface will be flared. Immediately following the finish of completion operations, all well flow will be directed to permanent separation equipment. Produced natural gas from separation equipment will be sent to sales. It is not anticipated that gas will not meet pipeline standards. However, if natural gas does not meet gathering pipeline quality specifications, MOC will flare the natural gas for 60 days or until the natural gas meets the pipeline quality specifications, whichever is sooner. MOC will ensure that the flare is sized properly and is equipped with automatic igniter or continuous pilot. The gas sample will analyzed twice per week and the gas will be routed into a gathering system as soon as pipeline specifications are met.
  - D. Natural gas will not be flared with the exceptions and provisions listed in the 19.15.27.8 D.(1) through (4). If there is no adequate takeaway for the separator gas, well(s) will be shut in until the natural gas gathering system is available with exception of emergency or malfunction situations. Venting and/or flaring volumes will be estimated and reported appropriately.
  - E. MOC will comply with the performance standards requirements and provisions listed in 19.15.27.8 E.(1) through (8). All equipment will be designed and sized to handle maximum anticipated pressures and throughputs in order to minimize the waste. Production storage tanks constructed after May 25, 2021 will be equipped with automatic gauging system. Flares constructed after May 25, 2021 will be equipped with automatic igniter or continuous pilot. Flares will be located at least 100' from the well and storage tanks unless otherwise approved by the division. MOC will conduct AVO inspections as described in 19.15.27.8 E (5) (a) with frequencies specified in 19.15.27.8 E (5) (b) and (c). All emergencies will be resolved as quickly and safely as feasible to minimize waste.
  - F. The volume of natural gas that is vented or flared as the result of malfunction or emergency during drilling and completions operations will be estimated. The volume of natural gas that is vented, flared or beneficially used during production operations, will be measured or estimated. MOC will install equipment to measure

the volume of natural gas flared from existing process piping or a flowline piped from equipment such as high pressure separators, heater treaters, or vapor recovery units associated with a well or facility associated with a well authorized by an APD issued after May 25, 2021 that has an average daily production greater than 60 Mcf/day. If metering is not practicable due to circumstances such as low flow rate or low pressure venting and flaring, MOC will estimate the volume of vented or flared natural gas. Measuring equipment will conform to industry standards and will not be designed or equipped with a manifold that allows the diversion of natural gas around the metering element except for the sole purpose of inspecting and servicing the measurement equipment.

- VIII. For maintenance activities involving production equipment and compression, venting will be limited to the depressurization of the subject equipment to ensure safe working conditions. For maintenance of production and compression equipment the associated producing wells will be shut in to eliminate venting. For maintenance of VRUs all gas normally routed to the VRU will be routed to flare to eliminate venting.



Oil, Bbl/day	EDDYBS2.5	1/2025	402868	402868	3,000	1440.0	0.950000	75.000000	23.952479	139.3
Qual=	EDDYBS2.5	1/2025	1298725	1298725	3,000	2815.0	1.050000	55.000000	20.108832	615.1
Ref=	EDDYBS2.5	1/2025	964855	964855	3,000	3440.0	1.050000	75.000000	22.260386	354.8
Cum=	EDDYBS2.5	1/2025	0	0	3,000	3440.0	1.050000	75.000000	22.260386	354.8
Rem=	EDDYBS2.5	1/2025	0	0	3,000	3440.0	1.050000	75.000000	22.260386	354.8
EUR=	EDDYBS2.5	1/2025	0	0	3,000	3440.0	1.050000	75.000000	22.260386	354.8
Yrs=	EDDYBS2.5	1/2025	0	0	3,000	3440.0	1.050000	75.000000	22.260386	354.8
b=	EDDYBS2.5	1/2025	0	0	3,000	3440.0	1.050000	75.000000	22.260386	354.8
De=	EDDYBS2.5	1/2025	0	0	3,000	3440.0	1.050000	75.000000	22.260386	354.8
Df=	EDDYBS2.5	1/2025	0	0	3,000	3440.0	1.050000	75.000000	22.260386	354.8
Qab=	EDDYBS2.5	1/2025	0	0	3,000	3440.0	1.050000	75.000000	22.260386	354.8





# Drilling Plan Data Report

08/08/2025

U.S. Department of the Interior  
BUREAU OF LAND MANAGEMENT

<b>APD ID:</b> 10400099743	<b>Submission Date:</b> 05/02/2025	Highlighted data reflects the most recent changes  <a href="#">Show Final Text</a>
<b>Operator Name:</b> MEWBOURNE OIL COMPANY		
<b>Well Name:</b> WINE MIXER 21/20 FED COM	<b>Well Number:</b> 526H	
<b>Well Type:</b> CONVENTIONAL GAS WELL	<b>Well Work Type:</b> Drill	

## Section 1 - Geologic Formations

Formation ID	Formation Name	Elevation	True Vertical	Measured Depth	Lithologies	Mineral Resources	Producing Formatio
16193833	UNKNOWN	3226	28	28	OTHER : Topsoil	NONE	N
16193828	YATES	2605	621	621	SANDSTONE	NATURAL GAS, OIL	N
16193841	CAPITAN REEF	1719	1507	1507	DOLOMITE, LIMESTONE	USEABLE WATER	N
16193842	LAMAR	890	2336	2336	DOLOMITE, LIMESTONE	NATURAL GAS, OIL	N
16193843	BONE SPRING	-830	4056	4056	LIMESTONE	NATURAL GAS, OIL	N
16193844	BONE SPRING 1ST	-2591	5817	5817	SANDSTONE	NATURAL GAS, OIL	N
16193845	BONE SPRING 2ND	-3167	6393	6393	SANDSTONE	NATURAL GAS, OIL	Y

## Section 2 - Blowout Prevention

**Pressure Rating (PSI):** 5M                      **Rating Depth:** 17113

**Equipment:** Annular, Pipe Rams, Blind Rams, Other accessories to the BOP equipment will include a Kelly cock and floor safety valve (inside BOP) and choke lines and choke manifold. See attached schematics.

**Requesting Variance?** YES

**Variance request:** A variance is requested for the use of a variable choke line from the BOP to the choke manifold. See attached for hydrostatic test chart. Anchors are not required by manufacturer. Variance is requested to use a multi bowl wellhead. Variance is requested to perform break testing according to attached procedure. If a breaktesting variance is approved & incorporated, API Standard 53 will be incorporated and testing annular BOP to 70% of RWP or 100% of MASP, whichever is greater, will be performed.

**Testing Procedure:** BOP/BOPE will be tested by an independent service company to 250 psi low and the high pressure indicated above per 43 CFR Part 3172 requirements. The System may be upgraded to a higher pressure but still tested to the working pressure listed in the table above. If the system is upgraded all the components installed will be functional and tested. Pipe rams will be operationally checked each 24 hour period. Blind rams will be operationally checked on each trip out of the hole. These checks will be noted on the daily tour sheets.

**Choke Diagram Attachment:**

5M\_BOPE\_Choke\_Diagram\_20250120091748.pdf

Flex\_Line\_Specs\_API\_16C\_20250120091755.pdf

**Operator Name:** MEWBOURNE OIL COMPANY

**Well Name:** WINE MIXER 21/20 FED COM

**Well Number:** 526H

5M\_BOPE\_Choke\_Diagram\_20250120091748.pdf

Flex\_Line\_Specs\_API\_16C\_20250120091755.pdf

**BOP Diagram Attachment:**

5M\_BOPE\_Schematic\_20250120091807.pdf

Cactus\_5K\_WH\_20250120091815.pdf

MOC\_Break\_Testing\_Variance\_20250120091826.pdf

**Section 3 - Casing**

Casing ID	String Type	Hole Size	Csg Size	Condition	Standard	Tapered String	Top Set MD	Bottom Set MD	Top Set TVD	Bottom Set TVD	Top Set MSL	Bottom Set MSL	Calculated casing length MD	Grade	Weight	Joint Type	Collapse SF	Burst SF	Joint SF Type	Joint SF	Body SF Type	Body SF
1	SURFACE	17.5	13.37	NEW	API	N	0	415	0	415	3243	2828	415	H-40	48	ST&C	4.15	9.32	DRY	16.16	DRY	27.16
2	INTERMEDIATE	12.25	9.625	NEW	API	N	0	2260	0	2260	2982	983	2260	J-55	36	LT&C	1.69	2.94	DRY	5.57	DRY	6.93
3	PRODUCTION	8.75	7.0	NEW	API	N	0	6313	0	6248	2982	-3005	6313	P-110	26	LT&C	1.98	3.16	DRY	4.22	DRY	5.06
4	LINER	6.125	4.5	NEW	API	N	6113	17113	6056	6511	-2813	-3268	11000	P-110	13.5	LT&C	2.62	3.04	DRY	2.28	DRY	2.84

**Casing Attachments**

**Casing ID:** 1      **String**      SURFACE

**Inspection Document:**

**Spec Document:**

**Tapered String Spec:**

**Casing Design Assumptions and Worksheet(s):**

13.375in\_48\_H40\_STC\_Csg\_20250120093203.pdf

**Operator Name:** MEWBOURNE OIL COMPANY

**Well Name:** WINE MIXER 21/20 FED COM

**Well Number:** 526H

**Casing Attachments**

---

**Casing ID:** 2      **String**      INTERMEDIATE

**Inspection Document:**

**Spec Document:**

**Tapered String Spec:**

**Casing Design Assumptions and Worksheet(s):**

9.625in\_36\_\_J55\_LTC\_Csg\_20250120092926.pdf

---

**Casing ID:** 3      **String**      PRODUCTION

**Inspection Document:**

**Spec Document:**

**Tapered String Spec:**

**Casing Design Assumptions and Worksheet(s):**

7in\_26\_\_P110\_LTC\_Csg\_20250120092724.pdf

---

**Casing ID:** 4      **String**      LINER

**Inspection Document:**

**Spec Document:**

**Tapered String Spec:**

**Casing Design Assumptions and Worksheet(s):**

4.5in\_13.5\_P110\_LTC\_Csg\_20250702131659.pdf

---

**Section 4 - Cement**

**Operator Name:** MEWBOURNE OIL COMPANY

**Well Name:** WINE MIXER 21/20 FED COM

**Well Number:** 526H

String Type	Lead/Tail	Stage Tool Depth	Top MD	Bottom MD	Quantity(sx)	Yield	Density	Cu Ft	Excess%	Cement type	Additives
SURFACE	Lead		0	226	150	2.12	12.5	320	100	Class C	Salt, Gel, Extedner, LCM
SURFACE	Tail		226	415	200	1.34	14.8	268	100	Class C	Retarder
INTERMEDIATE	Lead		0	1578	290	2.12	12.5	620	25	Class C	Salt, Gel, Extender, LCM

INTERMEDIATE	Lead		1578	2260	200	1.34	14.8	268	25	Class C	Retarder
--------------	------	--	------	------	-----	------	------	-----	----	---------	----------

PRODUCTION	Lead		2060	4697	360	2.12	12.5	770	25	Class C	Salt, Gel, Extender, LCM, Defoamer
PRODUCTION	Tail		4697	6313	400	1.18	15.6	472	25	Class H	Retarder, Fluid Loss, Defoamer
LINER	Lead		6113	17113	690	1.85	13.5	1280	25	Class H	Salt, Gel, Fluid Loss, Retarder, Dispersant, Defoamer, Anti-settling Agent

### Section 5 - Circulating Medium

**Mud System Type:** Closed

**Will an air or gas system be Used?** NO

**Description of the equipment for the circulating system in accordance with 43 CFR 3172:**

**Diagram of the equipment for the circulating system in accordance with 43 CFR 3172:**

**Describe what will be on location to control well or mitigate other conditions:** Formation integrity test will be performed per 43 CFR Part 3172. On Exploratory wells or on that portion of any well approved for a 5M BOPE system or greater, a pressure integrity test of each casing shoe shall be performed. Will be tested in accordance with 43 CFR Part 3172.

**Describe the mud monitoring system utilized:** Pason/PVT/Visual Monitoring

### Circulating Medium Table

**Operator Name:** MEWBOURNE OIL COMPANY

**Well Name:** WINE MIXER 21/20 FED COM

**Well Number:** 526H

Top Depth	Bottom Depth	Mud Type	Min Weight (lbs/gal)	Max Weight (lbs/gal)	Density (lbs/cu ft)	Gel Strength (lbs/100 sqft)	PH	Viscosity (CP)	Salinity (ppm)	Filtration (cc)	Additional Characteristics
0	415	SPUD MUD	8.4	8.6							
415	2260	SALT SATURATED	10	10.2							
2260	7213	WATER-BASED MUD	8.6	9.7							
7213	17113	OIL-BASED MUD	10	11.5							

### Section 6 - Test, Logging, Coring

**List of production tests including testing procedures, equipment and safety measures:**

No logs are planned based on well control or offset log information. Offset Well: Wine Mixer 21/20 Fed Com #528H

**List of open and cased hole logs run in the well:**

MEASUREMENT WHILE DRILLING, MUD LOG/GEOLOGIC LITHOLOGY LOG, DIRECTIONAL SURVEY,

**Coring operation description for the well:**

None

### Section 7 - Pressure

**Anticipated Bottom Hole Pressure:** 4079

**Anticipated Surface Pressure:** 2620

**Anticipated Bottom Hole Temperature(F):** 140

**Anticipated abnormal pressures, temperatures, or potential geologic hazards?** NO

**Describe:**

**Contingency Plans geohazards description:**

**Contingency Plans geohazards**

**Hydrogen Sulfide drilling operations plan required?** YES

**Hydrogen sulfide drilling operations**

H2S\_Plan\_20240701075743.pdf

**Operator Name:** MEWBOURNE OIL COMPANY

**Well Name:** WINE MIXER 21/20 FED COM

**Well Number:** 526H

### Section 8 - Other Information

**Proposed horizontal/directional/multi-lateral plan submission:**

WINE\_MIXER\_21\_20\_FED\_COM\_526H\_dir\_plot\_20250702132735.pdf

WINE\_MIXER\_21\_20\_FED\_COM\_526H\_dir\_plan\_20250702132736.pdf

**Other proposed operations facets description:**

**Other proposed operations facets attachment:**

Wine\_Mixer\_21\_20\_Fed\_Com\_526H\_NGMP\_20250120095206.pdf

Wine\_Mixer\_21\_20\_Fed\_Com\_526H\_CsgAssumptions\_20250702132748.pdf

Wine\_Mixer\_21\_20\_Fed\_Com\_526H\_Drlg\_Program\_20250702132748.pdf

**Other Variance request(s)?:** Y

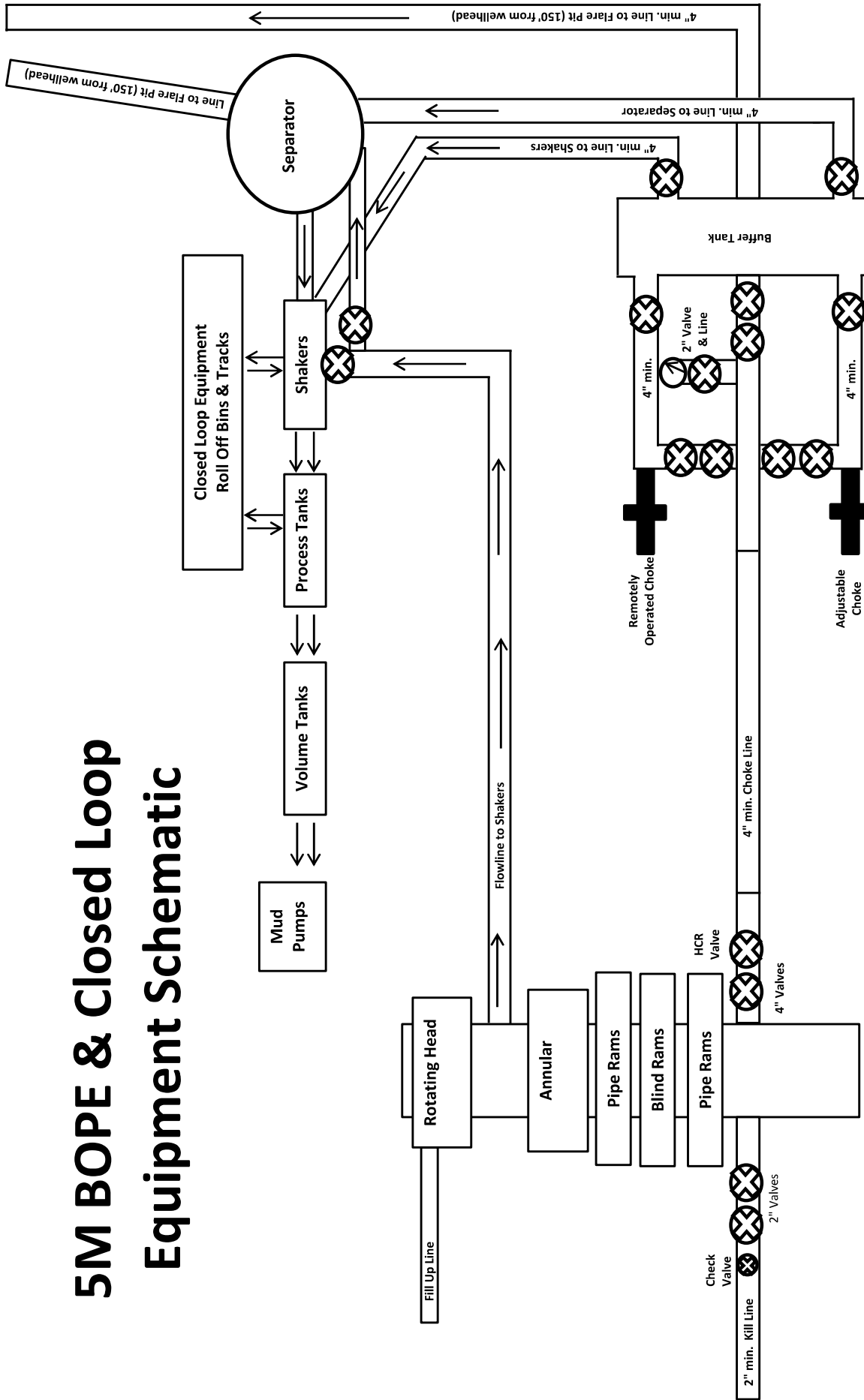
**Other Variance attachment:**

MOC\_Break\_Testing\_Variance\_20240710163605.pdf

MOC\_Offline\_Cementing\_Variance\_20240710163606.pdf



# 5M BOPE & Closed Loop Equipment Schematic



Note: All valves & lines on choke manifold are 4" unless otherwise noted. Exact manifold configuration may vary.

Drawing not to scale



LUOHE LETONE HYDRAULICS TECHNOLOGY CO.,LTD

HYDROSTATIC TESTING REPORT

LTYY/QR-5.7.1-28

No: 230826015

Product Name	Choke And Kill Hose	Standard	API Spec 16C 3 <sup>rd</sup> edition
Product Specification	3"×10000psi×60ft (18.29m)	Serial Number	7660144
Inspection Equipment	MTU-BS-1600-3200-E	Test medium	Water
Inspection Department	Q.C. Department	Inspection Date	2023.08.26

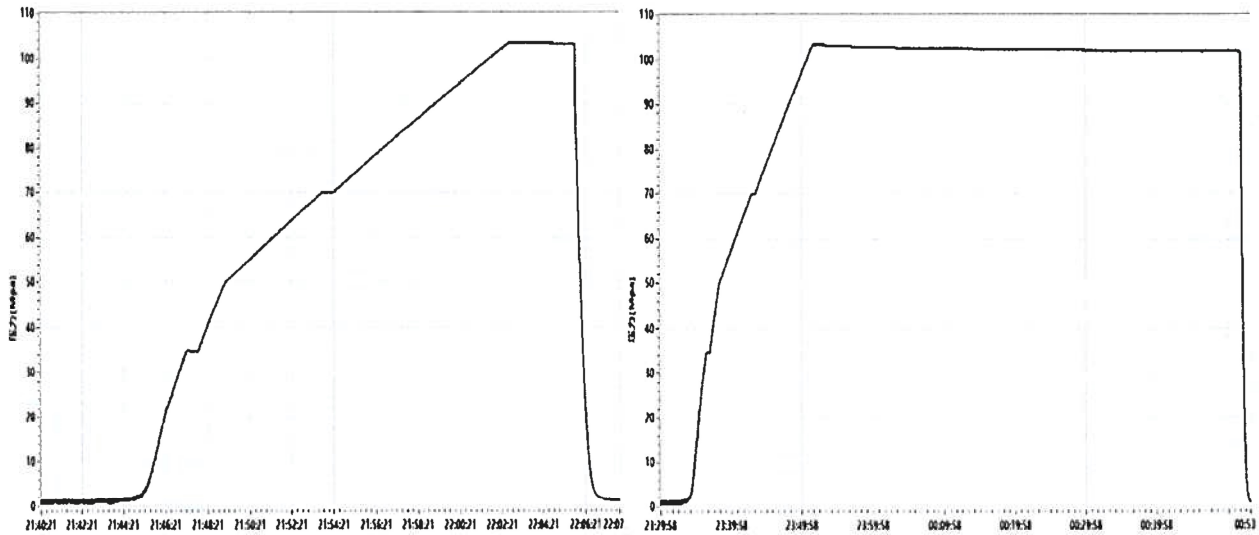
Rate of length change

Standard requirements	At working pressure ,the rate of length change should not more than $\pm 2\%$
Testing result	10000psi (69.0MPa) ,Rate of length change 0.7%

Hydrostatic testing

Standard requirements	At 1.5 times working pressure, the initial pressure-holding period of not less than three minutes, the second pressure-holding period of not less than one hour, no leaks.
Testing result	15000psi (103.5MPa), 3 min for the first time, 60 min for the second time, no leakage

Graph of pressure testing:



Conclusion	The inspected items meet standard requirements of API Spec 16C 3 <sup>rd</sup> edition				
Approver	Jiaolong Chen	Auditor	Huiling Dong	Inspector	Zhansheng Wang



LUOHE LETONE HYDRAULICS TECHNOLOGY CO.,LTD

CERTIFICATE OF QUALITY

LTTY/QR-5.7.1-19B

No: LT2023-126-002

Customer Name	Austin Hose		
Product Name	Choke And Kill Hose		
Product Specification	3"×10000psi×60ft (18.29m)	Quantity	2PCS
Serial Number	7660143~7660144	FSL	FSL3
Temperature Range	-29℃~+121℃	Standard	API Spec 16C 3 <sup>rd</sup> edition
Inspection Department	Q.C. Department	Inspection date	2023.08.26

Inspection Items	Inspection results				
Appearance Checking	In accordance with API Spec 16C 3 <sup>rd</sup> edition				
Size and Lengths	In accordance with API Spec 16C 3 <sup>rd</sup> edition				
Dimensions and Tolerances	In accordance with API Spec 16C 3 <sup>rd</sup> edition				
End Connections: 4-1/16"×10000psi Integral flange for sour gas service	In accordance with API Spec 6A 21 <sup>st</sup> edition				
End Connections: 4-1/16"×10000psi Integral flange for sour gas service	In accordance with API Spec 17D 3 <sup>rd</sup> edition				
Hydrostatic Testing	In accordance with API Spec 16C 3 <sup>rd</sup> edition				
product Marking	In accordance with API Spec 16C 3 <sup>rd</sup> edition				
Inspection conclusion	The inspected items meet standard requirements of API Spec 16C 3 <sup>rd</sup> edition				
Remarks					
Approver	Jiaolong Chen	Auditor	Huiling Dong	Inspector	Zhansheng Wang



---

**LUOHE LETONE HYDRAULICS TECHNOLOGY CO.,LTD**  
**CERTIFICATE OF CONFORMANCE**

**No:LT230826016**

Product Name: Choke And Kill Hose

Product Specification: 3"×10000psi×60ft (18.29m)

Serial Number: 7660143~7660144

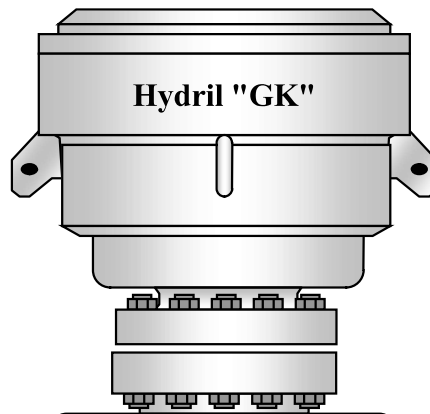
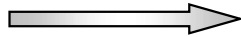
End Connections: 4-1/16"×10000psi Integral flange for sour gas service

The Choke And Kill Hose assembly was produced by LUOHE LETONE HYDRAULICS TECHNOLOGY CO.,LTD . in Aug 2023, and inspected by LUOHE LETONE HYDRAULICS TECHNOLOGY CO.,LTD. according to API Spec 16C 3<sup>rd</sup> edition on Aug 26, 2023. The overall condition is good. This is to certify that the Choke And Kill Hose complies with all current standards and specifications for API Spec 16C 3<sup>rd</sup> edition .

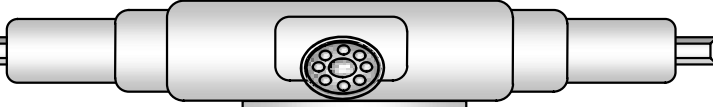
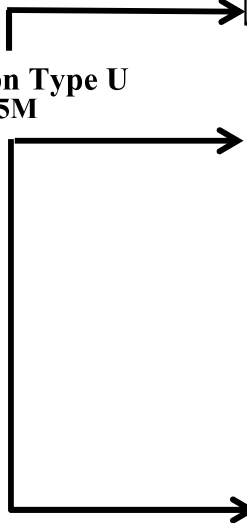
QC Manager: *Jiaolong Chen*

Date:Aug 26, 2023

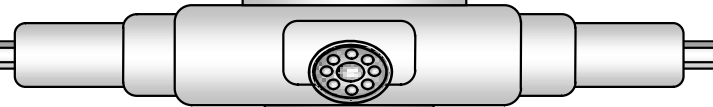
Hydril "GK"  
13 5/8" 5M



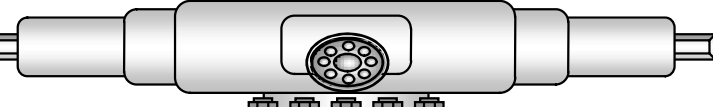
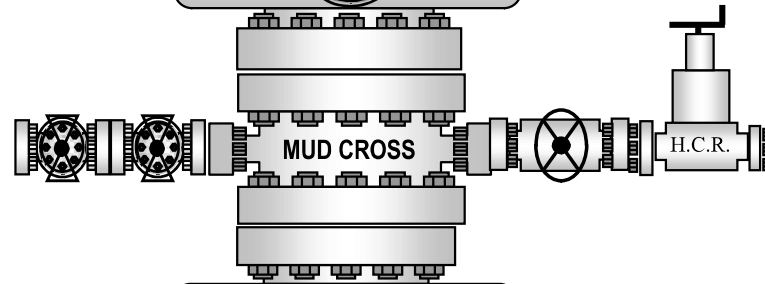
Cameron Type U  
13 5/8" 5M



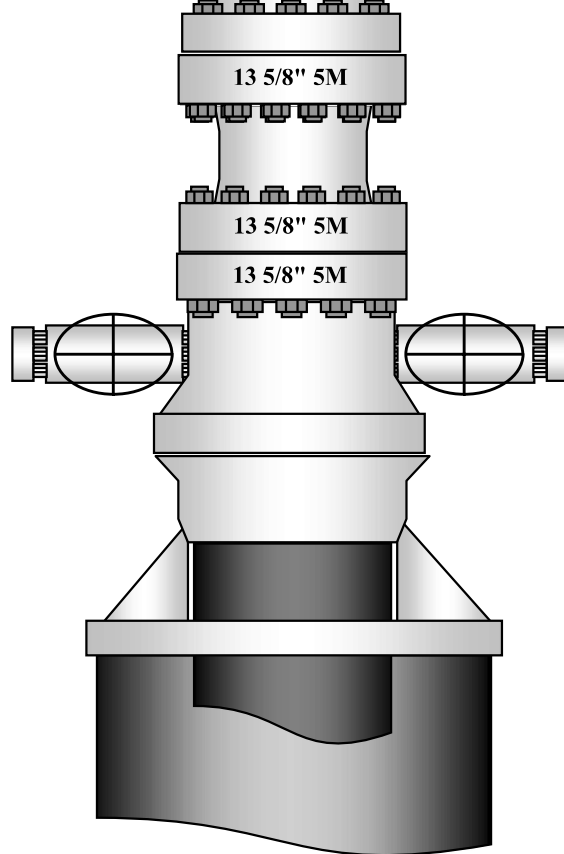
4 1/2" x 5 7/8" VBR

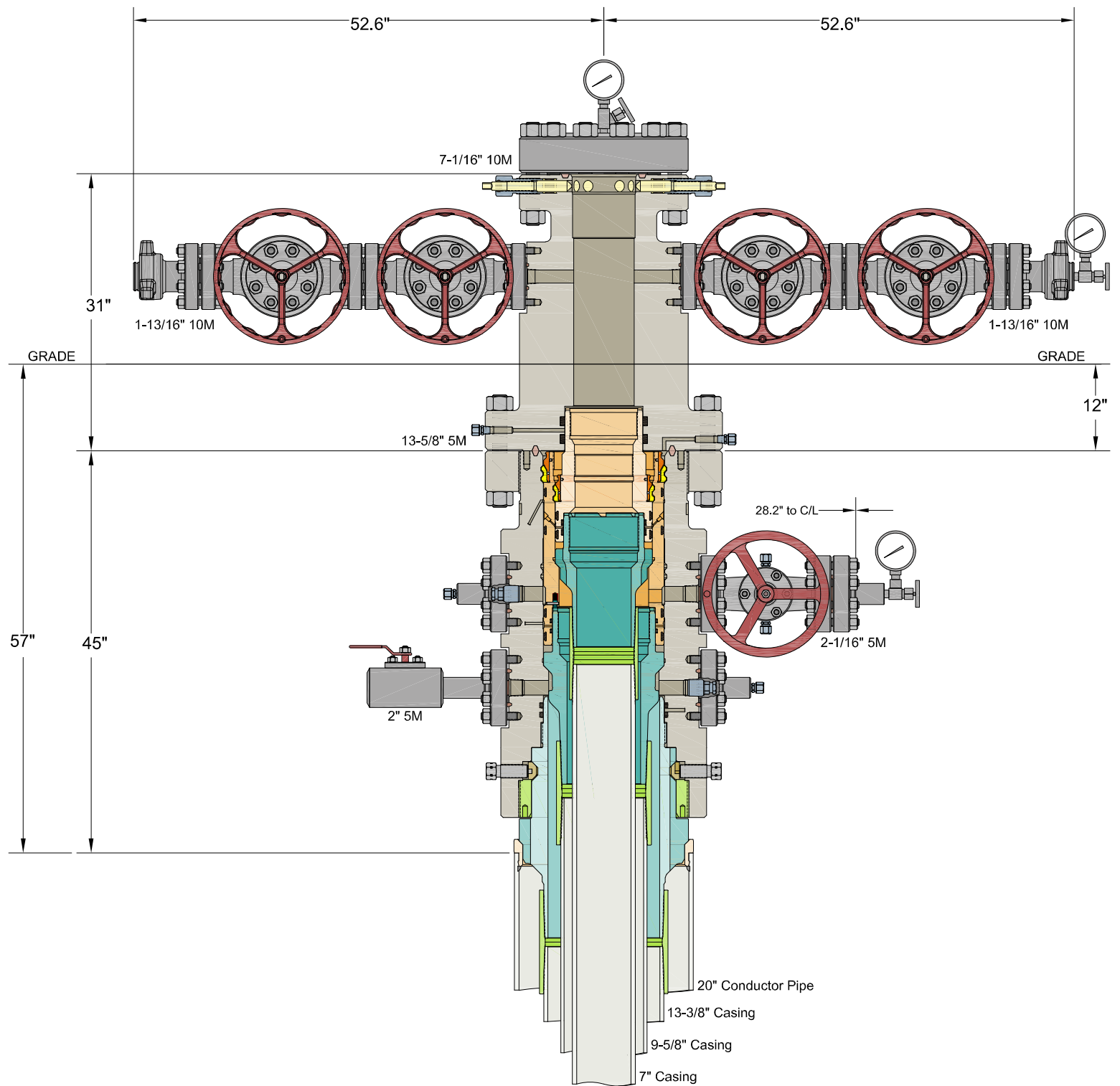


BLIND RAMS



7" RAMS





INFORMATION CONTAINED HEREIN IS THE PROPERTY OF CACTUS WELLHEAD, LLC. REPRODUCTION, DISCLOSURE, OR USE THEREOF IS PERMISSIBLE ONLY AS PROVIDED BY CONTRACT OR AS EXPRESSLY AUTHORIZED BY CACTUS WELLHEAD, LLC.

ALL DIMENSIONS APPROXIMATE

# CACTUS WELLHEAD LLC

# MEWBOURNE OIL COMPANY NEW MEXICO

20" x 13-3/8" x 9-5/8" x 7" MBU-3T-CFL-R-DBLO Wellhead System  
With 9-5/8" & 7" Fluted Mandrel Casing Hangers  
And 13-5/8" 5M x 7-1/16" 10M CTH-DBLHPS Tubing Head

DRAWN	DLE	18APR22
APPRV		
DRAWING NO.	HBE0000660	





## Mewbourne Oil Co.

### BOP Break Testing Variance

Mewbourne Oil Company requests a variance from the minimum standards for well control equipment testing of 43 CFR 3172 to allow a testing schedule of the blow out preventer (BOP) and blow out prevention equipment (BOPE) along with batch drilling & offline cementing operations. Modern rig upgrades which facilitate pad drilling allow the BOP stack to be moved between wells on a multi-well pad without breaking any BOP stack components apart. Widespread use of these technologies has led to break testing BOPE being endorsed as safe and reliable. American Petroleum Institute (API) best practices are frequently used by regulators to develop their regulations. API Standard 53, *Well Control Equipment Systems for Drilling Wells* (5<sup>th</sup> Ed., Dec. 2018) Section 5.3.7.1 states "A pressure test of the pressure containing component shall be performed following the disconnection or repair, limited to the affected component."

### **Procedures**

1. Full BOPE test at first installation on the pad.
  - Full BOPE test at least every 21 days.
  - Function test BOP elements per 43 CFR 3172.
  - Contact the BLM if a well control event occurs.
2. After the well section is secured and the well is confirmed to be static, the BOP will be disconnected from the wellhead and walked with the rig to another well on the pad. Two breaks on the BOPE will be made (Fig. 1).
  - Connection between the flex line and the HCR valve
  - Connection between the wellhead and the BOP quick connect (Fig. 5 & 6).
3. A capping flange will be installed after cementing per wellhead vendor procedure & casing pressure will be monitored via wellhead valve.
4. The BOP will be removed and carried by a hydraulic carrier (Fig. 3 & 4).
5. The rig will then walk to the next well.
6. Confirm that the well is static and remove the capping flange.
7. The connection between the flex line and HCR valve and the connection between the wellhead and the BOP quick connect will be reconnected.
8. Install a test plug into the wellhead.
9. A test will then be conducted against the upper pipe rams and choke, testing both breaks (Fig. 1 & 2).
10. The test will be held at 250 psi low and to the high value submitted in the APD, not to exceed 5000 psi.
11. The annular, blind rams and lower pipe rams will then be function tested.
12. If a pad consists of three or more wells, steps 4 through 11 will be repeated.



13. A break test will only be conducted if the intermediate section can be drilled and cased within 21 days of the last full BOPE test.

## **Barriers**

### **Before Nipple Down:**

- Floats in casing
- Kill weight fluid in casing
- Kill weight fluid in annulus
- Solid body mandrel and/or packoff

### **After Nipple Down:**

- Floats in casing
- Kill weight fluid in casing
- Kill weight fluid in annulus
- Solid body mandrel and/or packoff
- Offline cementing tool and/or cement head
- Capping flange after cementing

## **Summary**

A variance is requested to only test broken pressure seals on the BOPE when moving between wells on a multi-well pad if the following conditions are met:

- A full BOPE test is conducted on the first well on the pad. API Standard 53 requires testing annular BOP to 70% of RWP or 100% of MASP, whichever is greater.
- If the first well on the pad is not the well with the deepest intermediate section, a full BOPE test will also be performed when moving to a deeper well.
- The hole section being drilled has a MASP under 5000 psi.
- If a well control event occurs, Mewbourne will contact BLM for permission to continue break testing.
- If significant (>50%) losses occur, full BOPE testing will be required going forward.
- Full BOPE test will be required prior to drilling the production hole.

While walking the rig, the BOP stack will be secured via hydraulic winch or hydraulic carrier. A full BOPE test will be performed at least every 21 days.

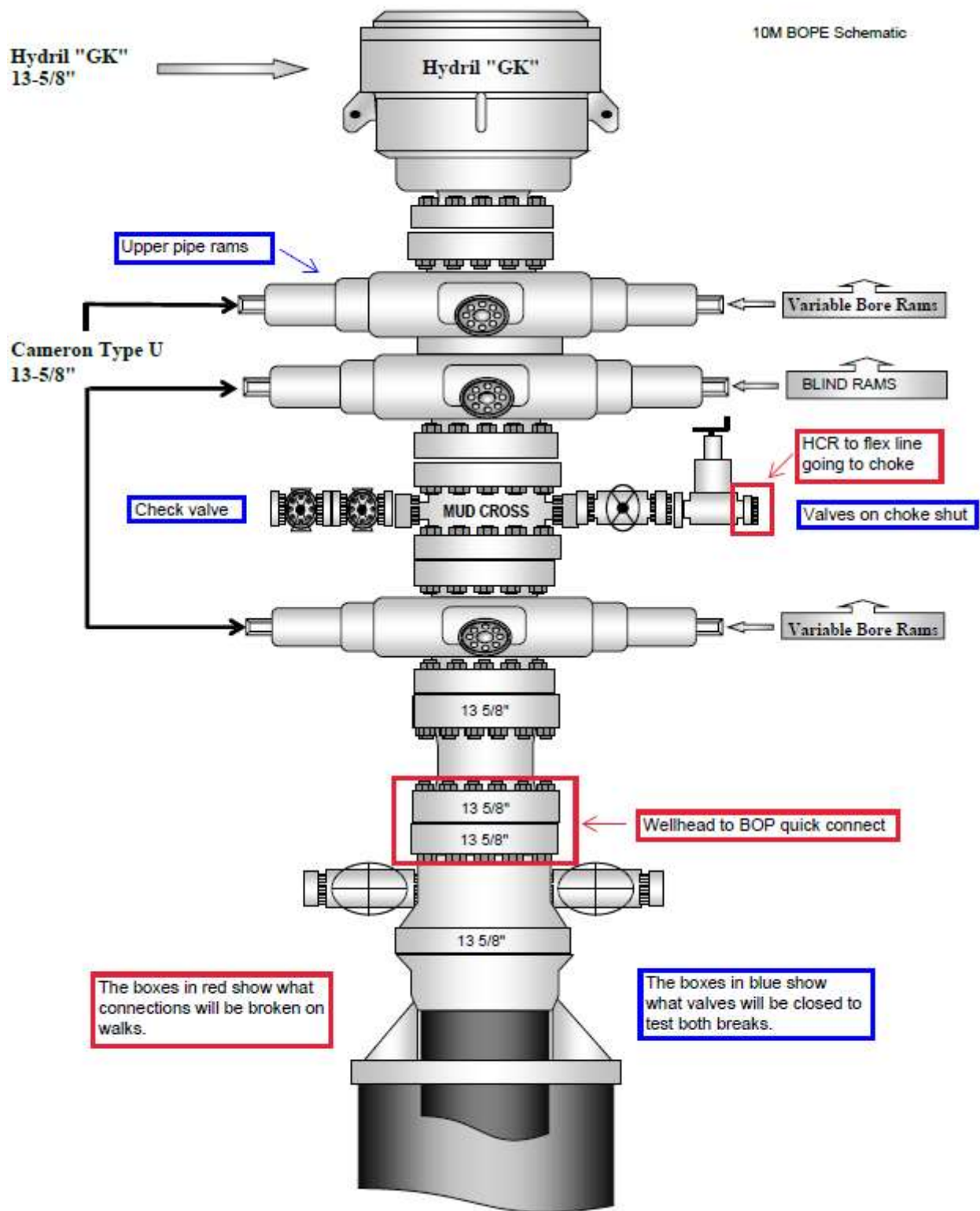
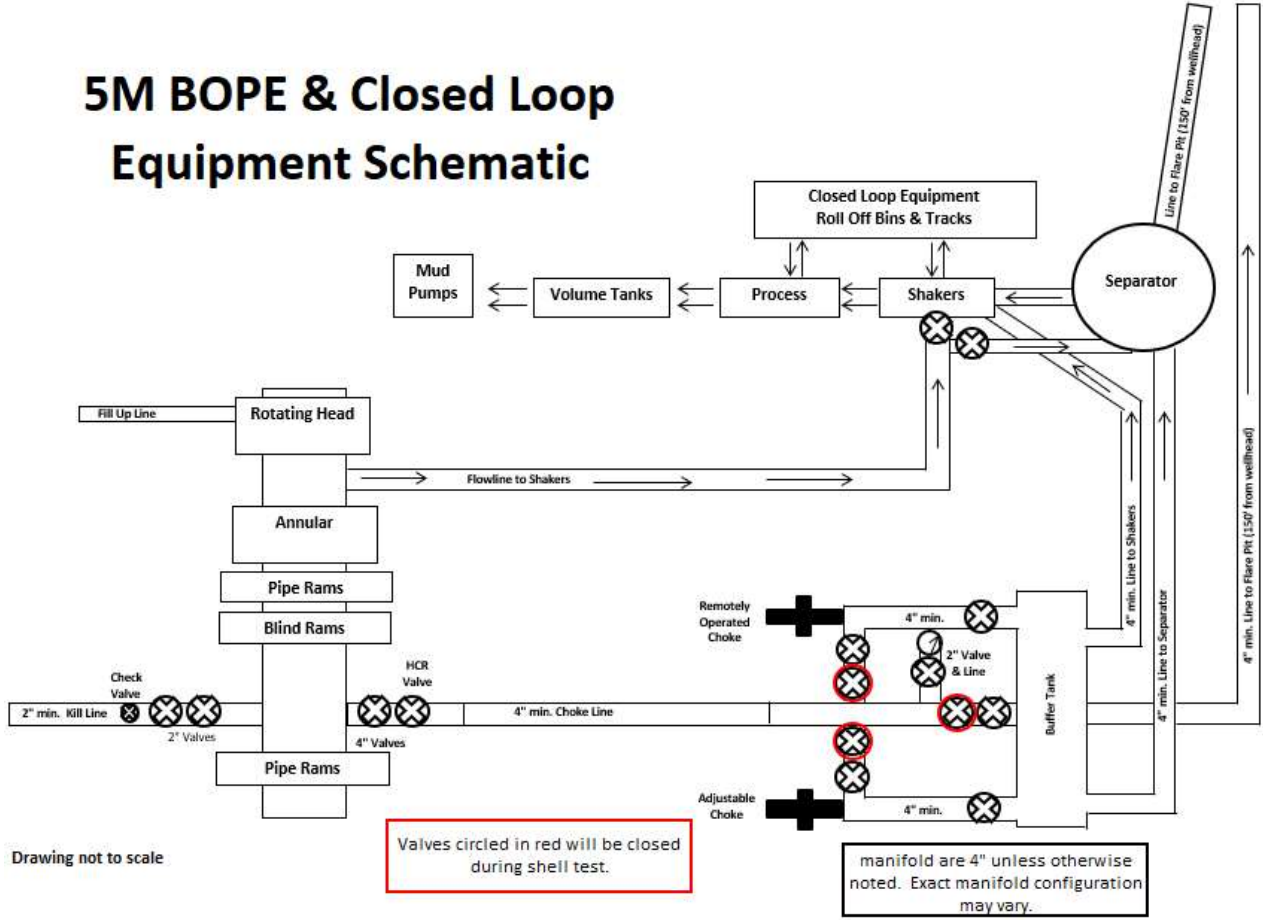


Figure 1. BOP diagram



# 5M BOPE & Closed Loop Equipment Schematic



Drawing not to scale

Valves circled in red will be closed during shell test.

manifold are 4" unless otherwise noted. Exact manifold configuration may vary.

Figure 2. BOPE diagram



Figure 3. BOP handling system





Figure 4. BOP handling system



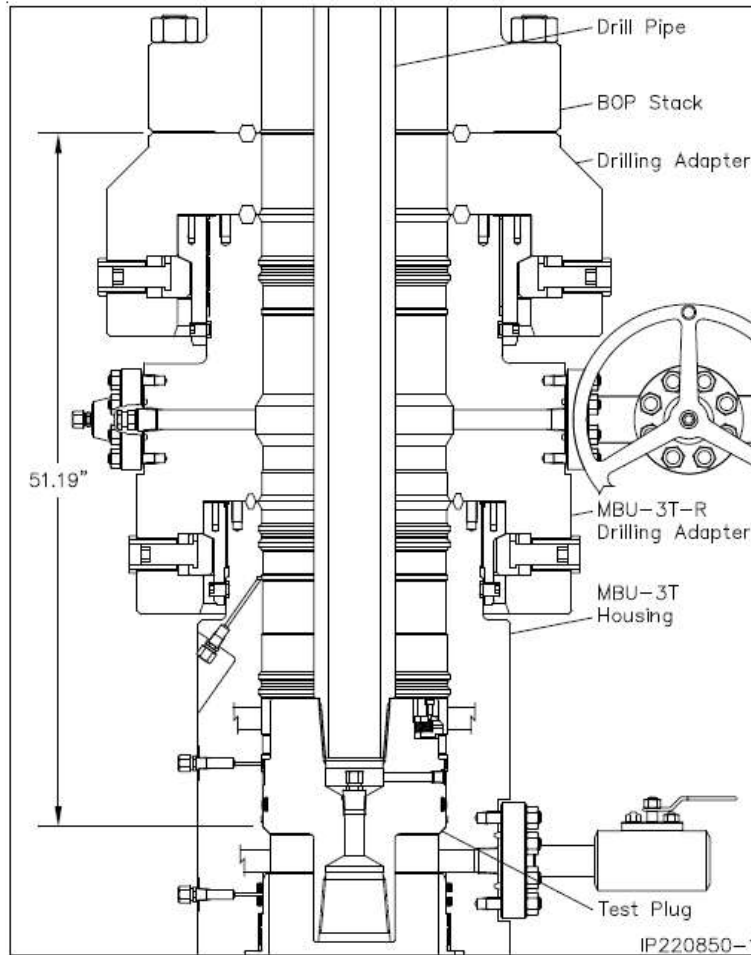


Figure 5. Cactus 5M wellhead with BOP quick connect

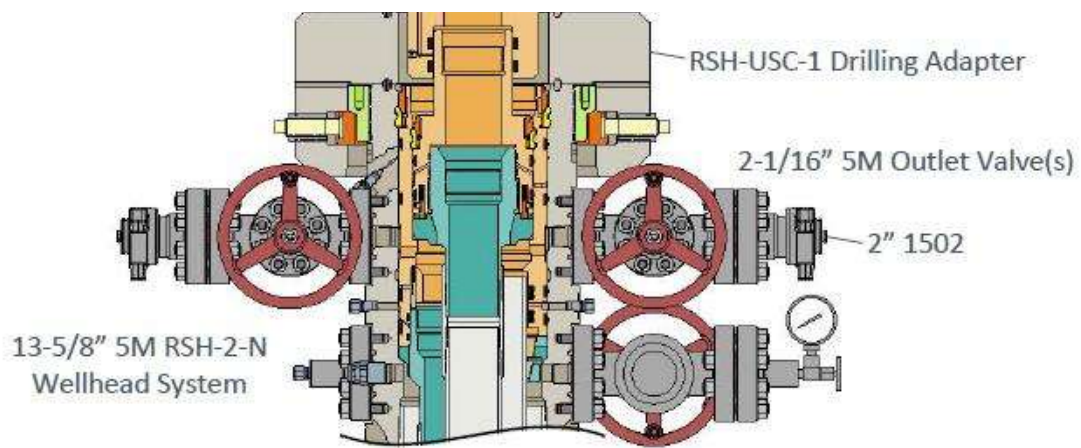


Figure 6. Vault 5M wellhead with BOP quick connect



# API LTC

Coupling	Pipe Body
Grade: P110	Grade: P110
Body: White	1st Band: White
1st Band: -	2nd Band: -
2nd Band: -	3rd Band: -
3rd Band: -	4th Band: -

Outside Diameter	7.000 in.	Wall Thickness	0.362 in.	Grade	P110
Min. Wall Thickness	87.50 %	Pipe Body Drift	API Standard	Type	Casing
Connection OD Option	Regular				

### Pipe Body Data

Geometry		Performance	
Nominal OD	7.000 in.	Drift	6.151 in.
Wall Thickness	0.362 in.	Plain End Weight	25.69 lb/ft
Nominal Weight	26 lb/ft	OD Tolerance	API
Nominal ID	6.276 in.		
		SMYS	110,000 psi
		Min UTS	125,000 psi
		Body Yield Strength	830 x1000 lb
		Min. Internal Yield Pressure	9960 psi
		Collapse Pressure	6230 psi
		Max. Allowed Bending	72 °/100 ft

### Connection Data

Geometry		Performance		Make-Up Torques	
Thread per In	8	Joint Strength	693 x1000 lb	Minimum Torque	5200 ft-lb
Connection OD	7.875 in.	Coupling Face Load	799 x1000 lb	Optimum Torque	6930 ft-lb
Hand Tight Stand Off	3 in.	Internal Pressure Capacity	9960 psi	Maximum Torque	8660 ft-lb

### Notes

For products according to API Standards 5CT & 5B; Performance calculated considering API Technical Report 5C3 (Sections 9 & 10) equations. For geometrical and steel grades combinations not considered in the API Standards 5CT and/or 5B; Performance calculations indirectly derived from API Technical Report 5C3 (Sections 9 & 10) equations. Couplings OD are shown according to current API 5CT 10th Edition.

Tenaris has issued this document for general information only, and the information in this document, including, without limitation, any pictures, drawings or designs ("Information") is not intended to constitute professional or any other type of advice or recommendation and is provided on an "as is" basis. No warranty is given. Tenaris has not independently verified any information –if any- provided by the user in connection with, or for the purpose of, the Information contained hereunder. The use of the Information is at user's own risk and Tenaris does not assume any responsibility or liability of any kind for any loss, damage or injury resulting from, or in connection with any Information contained hereunder or any use thereof. The Information in this document is subject to change or modification without notice. Tenaris's products and services are subject to Tenaris's standard terms and conditions or otherwise to the terms resulting from the respective contracts of sale or services, as the case may be, between petitioner and Tenaris. For more complete information please contact a Tenaris's representative or visit our website at [www.tenaris.com](http://www.tenaris.com). ©Tenaris 2024. All rights reserved.



# API LTC

Coupling	Pipe Body
Grade: J55 (Casing)	Grade: J55 (Casing)
Body: Bright Green	1st Band: Bright Green
1st Band: White	2nd Band: -
2nd Band: -	3rd Band: -
3rd Band: -	4th Band: -

Outside Diameter	9.625 in.	Wall Thickness	0.352 in.	Grade	J55 (Casing)
Min. Wall Thickness	87.50 %	Pipe Body Drift	API Standard	Type	Casing
Connection OD Option	Regular				

## Pipe Body Data

Geometry		Performance	
Nominal OD	9.625 in.	Drift	8.765 in.
Wall Thickness	0.352 in.	Plain End Weight	34.89 lb/ft
Nominal Weight	36 lb/ft	OD Tolerance	API
Nominal ID	8.921 in.		
		SMYS	55,000 psi
		Min UTS	75,000 psi
		Body Yield Strength	564 x1000 lb
		Min. Internal Yield Pressure	3520 psi
		Collapse Pressure	2020 psi
		Max. Allowed Bending	26 °/100 ft

## Connection Data

Geometry		Performance		Make-Up Torques	
Thread per In	8	Joint Strength	453 x1000 lb	Minimum Torque	3400 ft-lb
Connection OD	10.625 in.	Coupling Face Load	433 x1000 lb	Optimum Torque	4530 ft-lb
Hand Tight Stand Off	3.500 in.	Internal Pressure Capacity	3520 psi	Maximum Torque	5660 ft-lb

## Notes

For products according to API Standards 5CT & 5B; Performance calculated considering API Technical Report 5C3 (Sections 9 & 10) equations. For geometrical and steel grades combinations not considered in the API Standards 5CT and/or 5B; Performance calculations indirectly derived from API Technical Report 5C3 (Sections 9 & 10) equations.

Couplings OD are shown according to current API 5CT 10th Edition.

Tenaris has issued this document for general information only, and the information in this document, including, without limitation, any pictures, drawings or designs ("Information") is not intended to constitute professional or any other type of advice or recommendation and is provided on an "as is" basis. No warranty is given. Tenaris has not independently verified any information –if any- provided by the user in connection with, or for the purpose of, the Information contained hereunder. The use of the Information is at user's own risk and Tenaris does not assume any responsibility or liability of any kind for any loss, damage or injury resulting from, or in connection with any Information contained hereunder or any use thereof. The Information in this document is subject to change or modification without notice. Tenaris's products and services are subject to Tenaris's standard terms and conditions or otherwise to the terms resulting from the respective contracts of sale or services, as the case may be, between petitioner and Tenaris. For more complete information please contact a Tenaris's representative or visit our website at [www.tenaris.com](http://www.tenaris.com). ©Tenaris 2024. All rights reserved.



# API LTC

Coupling	Pipe Body
Grade: P110	Grade: P110
Body: White	1st Band: White
1st Band: -	2nd Band: -
2nd Band: -	3rd Band: -
3rd Band: -	4th Band: -

Outside Diameter	4.500 in.	Wall Thickness	0.290 in.	Grade	P110
Min. Wall Thickness	87.50 %	Pipe Body Drift	API Standard	Type	Casing
Connection OD Option	Regular				

### Pipe Body Data

Geometry		Performance	
Nominal OD	4.500 in.	Drift	3.795 in.
Wall Thickness	0.290 in.	Plain End Weight	13.05 lb/ft
Nominal Weight	13.500 lb/ft	OD Tolerance	API
Nominal ID	3.920 in.		
		SMYS	110,000 psi
		Min UTS	125,000 psi
		Body Yield Strength	422 x1000 lb
		Min. Internal Yield Pressure	12,410 psi
		Collapse Pressure	10,690 psi
		Max. Allowed Bending	112 °/100 ft

### Connection Data

Geometry		Performance		Make-Up Torques	
Thread per In	8	Joint Strength	338 x1000 lb	Minimum Torque	2750 ft-lb
Connection OD	5.250 in.	Coupling Face Load	473 x1000 lb	Optimum Torque	3660 ft-lb
Hand Tight Stand Off	3 in.	Internal Pressure Capacity	12,410 psi	Maximum Torque	4580 ft-lb

### Notes

For products according to API Standards 5CT & 5B; Performance calculated considering API Technical Report 5C3 (Sections 9 & 10) equations. For geometrical and steel grades combinations not considered in the API Standards 5CT and/or 5B; Performance calculations indirectly derived from API Technical Report 5C3 (Sections 9 & 10) equations.

Couplings OD are shown according to current API 5CT 10th Edition.

Tenaris has issued this document for general information only, and the information in this document, including, without limitation, any pictures, drawings or designs ("Information") is not intended to constitute professional or any other type of advice or recommendation and is provided on an "as is" basis. No warranty is given. Tenaris has not independently verified any information –if any- provided by the user in connection with, or for the purpose of, the Information contained hereunder. The use of the Information is at user's own risk and Tenaris does not assume any responsibility or liability of any kind for any loss, damage or injury resulting from, or in connection with any Information contained hereunder or any use thereof. The Information in this document is subject to change or modification without notice. Tenaris's products and services are subject to Tenaris's standard terms and conditions or otherwise to the terms resulting from the respective contracts of sale or services, as the case may be, between petitioner and Tenaris. For more complete information please contact a Tenaris's representative or visit our website at [www.tenaris.com](http://www.tenaris.com). ©Tenaris 2024. All rights reserved.



# API STC

Coupling	Pipe Body
Grade: H40	Grade: H40
Body: -	1st Band: Black
1st Band: Black	2nd Band: -
2nd Band: -	3rd Band: -
3rd Band: -	4th Band: -

Outside Diameter	13.375 in.	Wall Thickness	0.330 in.	Grade	H40
Min. Wall Thickness	87.50 %	Pipe Body Drift	API Standard	Type	Casing
Connection OD Option	Regular				

### Pipe Body Data

Geometry		Performance	
Nominal OD	13.375 in.	Drift	12.559 in.
Wall Thickness	0.330 in.	Plain End Weight	46.02 lb/ft
Nominal Weight	48 lb/ft	OD Tolerance	API
Nominal ID	12.715 in.		
		SMYS	40,000 psi
		Min UTS	60,000 psi
		Body Yield Strength	541 x1000 lb
		Min. Internal Yield Pressure	1730 psi
		Collapse Pressure	740 psi
		Max. Allowed Bending	14 °/100 ft

### Connection Data

Geometry		Performance		Make-Up Torques	
Thread per In	8	Joint Strength	322 x1000 lb	Minimum Torque	2420 ft-lb
Connection OD	14.375 in.	Coupling Face Load	377 x1000 lb	Optimum Torque	3220 ft-lb
Hand Tight Stand Off	3.500 in.	Internal Pressure Capacity	1730 psi	Maximum Torque	4030 ft-lb

### Notes

For products according to API Standards 5CT & 5B; Performance calculated considering API Technical Report 5C3 (Sections 9 & 10) equations. For geometrical and steel grades combinations not considered in the API Standards 5CT and/or 5B; Performance calculations indirectly derived from API Technical Report 5C3 (Sections 9 & 10) equations. Couplings OD are shown according to current API 5CT 10th Edition.

Tenaris has issued this document for general information only, and the information in this document, including, without limitation, any pictures, drawings or designs ("Information") is not intended to constitute professional or any other type of advice or recommendation and is provided on an "as is" basis. No warranty is given. Tenaris has not independently verified any information –if any- provided by the user in connection with, or for the purpose of, the Information contained hereunder. The use of the Information is at user's own risk and Tenaris does not assume any responsibility or liability of any kind for any loss, damage or injury resulting from, or in connection with any Information contained hereunder or any use thereof. The Information in this document is subject to change or modification without notice. Tenaris's products and services are subject to Tenaris's standard terms and conditions or otherwise to the terms resulting from the respective contracts of sale or services, as the case may be, between petitioner and Tenaris. For more complete information please contact a Tenaris's representative or visit our website at [www.tenaris.com](http://www.tenaris.com). ©Tenaris 2024. All rights reserved.

Mewbourne Oil Company, Wine Mixer 21/20 Fed Com 526H

Sec 21, T20S, R27E

SHL: 1420' FSL 750' FEL (Sec 21)

BHL: 1850' FSL 100' FWL (Sec 20)

Casing Program Design A						BLM Minimum Safety Factors	1.125	1.0	1.6 Dry	1.6 Dry
									1.8 Wet	1.8 Wet
String	Hole Size	Top MD	Top TVD	Bot MD	Bot TVD	Csg. Size	SF Collapse	SF Burst	SF Jt Tension	SF Body Tension
Surface	17.5"	0'	0'	415'	415'	13.375" 48# H40 STC	4.15	9.32	16.16	27.16
Intermediate	12.25"	0'	0'	2260'	2260'	9.625" 36# J55 LTC	1.69	2.94	5.57	6.93
Production	8.75"	0'	0'	6313'	6248'	7" 26# P110 LTC	1.98	3.16	4.22	5.06
Liner	6.125"	6113'	6056'	17113'	6511'	4.5" 13.5# P110 LTC	2.62	3.04	2.28	2.84

Cement Program

Casing		# Sacks	Wt. lb/gal	Yield ft <sup>3</sup> /sack	TOC/BOC	Volume ft <sup>3</sup>	% Excess	Slurry Description
13.375 in	LEAD	150	12.5	2.12	0' - 226'	320	100%	Class C: Salt, Gel, Extender, LCM
	TAIL	200	14.8	1.34	226' - 415'	268		Class C: Retarder
9.625 in	LEAD	290	12.5	2.12	0' - 1578'	620	25%	Class C: Salt, Gel, Extender, LCM
	TAIL	200	14.8	1.34	1578' - 2260'	268		Class C: Retarder
7 in	LEAD	360	12.5	2.12	2060' - 4697'	770	25%	Class C: Salt, Gel, Extender, LCM, Defoamer
	TAIL	400	15.6	1.18	4697' - 6313'	472		Class H: Retarder, Fluid Loss, Defoamer
4.5 in	LEAD	2090	13.5	1.85	6113' - 17113'	3870	25%	Class H: Salt, Gel, Fluid Loss, Retarder, Dispersant, Defoamer, Anti-

Design A - Mud Program

Depth	Mud Wt	Mud Type
0' - 415'	8.4 - 8.6	Fresh Water
415' - 2260'	10.0 - 10.2	Brine
2260' - 6313'	8.6 - 9.7	Cut-Brine
6313' - 17113'	10.0 - 11.5	OBM

Geology

Formation	Est. Top (TVD)	Mineral Resources	Formation	Est. Top (TVD)	Mineral Resources
Castile			Delaware (Lamar)	2336'	Oil/Natural Gas
Salt Top			Bell Canyon		
Marker Bed 126			Cherry Canyon		
Salt Base			Manzanita Marker		
Yates	621'	Oil/Natural Gas	Basal Brushy Canyon		
Seven Rivers			Bone Spring	4056'	Oil/Natural Gas
Queen			1st Bone Spring	5817'	Oil/Natural Gas
Capitan	1507'	Usable Water	2nd Bone Spring	6393'	Oil/Natural Gas
Grayburg			3rd Bone Spring		
San Andres			Wolfcamp		

All casing strings will be tested in accordance with 43 CFR Part 3170 Subpart 3172. Must have table for contingency casing.

	Y or N
Is casing new? If used, attach certification as required in Onshore Order #1	Y
Is casing API approved? If no, attach casing specification sheet.	Y
Is premium or uncommon casing planned? If yes attach casing specification sheet.	N
Does the above casing design meet or exceed BLM's minimum standards? If not provide justification (loading assumptions, casing design criteria).	Y
Will the pipe be kept at a minimum 1/3 fluid filled to avoid approaching the collapse pressure rating of the casing?	Y
Is well located within Capitan Reef?	N
If yes, does production casing cement tie back a minimum of 50' above the Reef?	
Is well within the designated 4 string boundary.	N
Is well located in SOPA but not in R-111-Q?	N
If yes, are the first 2 strings cemented to surface and 3 <sup>rd</sup> string cement tied back 500' into previous casing?	
Is well located in R-111-Q and SOPA?	N
If yes, are the first three strings cemented to surface?	
Is 2 <sup>nd</sup> string set 100' to 600' below the base of salt?	
Is an open annulus used to satisfy R-111-Q? If yes, see cement design.	
Is an engineered weak point used to satisfy R-111-Q?	
If yes, at what depth is the weak point planned?	
Is well located in high Cave/Karst?	N
If yes, are there two strings cemented to surface?	
(For 2 string wells) If yes, is there a contingency casing if lost circulation occurs?	
Is well located in critical Cave/Karst?	N
If yes, are there three strings cemented to surface?	



Mewbourne Oil Company, Wine Mixer 21/20 Fed Com 526H

Sec 21, T20S, R27E

SHL: 1420' FSL 750' FEL (Sec 21)

BHL: 1850' FSL 100' FWL (Sec 20)

Casing Program Design B						BLM Minimum Safety Factors		1.125	1.0	1.6 Drv 1.8 Wet	1.6 Drv 1.8 Wet
String	Hole Size	Top MD	Top TVD	Bot MD	Bot TVD	Csg. Size	SF Collapse	SF Burst	SF Jt Tension	SF Body Tension	
Surface	17.5"	0'	0'	415'	415'	13.375" 48# H40 STC	4.15	9.32	16.16	27.16	
Intermediate	12.25"	0'	0'	2260'	2260'	9.625" 36# J55 LTC	1.69	2.94	5.57	6.93	
Production	8.75"	0'	0'	7213'	6821'	7" 26# P110 LTC	1.81	2.89	3.70	4.43	
Liner	6.125"	6313'	6248'	17113'	6511'	4.5" 13.5# P110 LTC	2.62	3.04	2.32	2.89	

Design B - Cement Program

Casing		# Sacks	Wt. lb/gal	Yield ft <sup>3</sup> /sack	TOC/BOC	Volume ft <sup>3</sup>	% Excess	Slurry Description
13.375 in	LEAD	150	12.5	2.12	0' - 226'	320	100%	Class C: Salt, Gel, Extender, LCM
	TAIL	200	14.8	1.34	226' - 415'	268		Class C: Retarder
9.625 in	LEAD	290	12.5	2.12	0' - 1578'	620	25%	Class C: Salt, Gel, Extender, LCM
	TAIL	200	14.8	1.34	1578' - 2260'	268		Class C: Retarder
1st Stg 7 in	LEAD	440	12.5	2.12	2060' - 5490'	940	25%	Class C: Salt, Gel, Extender, LCM, Defoamer
	TAIL	400	15.6	1.18	5490' - 7213'	472		Class H: Retarder, Fluid Loss, Defoamer
4.5 in	LEAD	690	13.5	1.85	6313' - 17113'	1280	25%	Class H: Salt, Gel, Fluid Loss, Retarder, Dispersant, Defoamer, Anti-

Design B - Mud Program

Depth	Mud Wt	Mud Type
0' - 415'	8.4 - 8.6	Fresh Water
415' - 2260'	10.0 - 10.2	Brine
2260' - 7213'	8.6 - 9.7	Cut-Brine
7213' - 17113'	10.0 - 11.5	OBM

Geology

Formation	Est. Top (TVD)	Mineral Resources	Formation	Est. Top (TVD)	Mineral Resources
Castle			Delaware (Lamar)	2336'	Oil/Natural Gas
Salt Top			Bell Canyon		
Marker Bed 126			Cherry Canyon		
Salt Base			Manzanita Marker		
Yates	621'	Oil/Natural Gas	Basal Brushy Canyon		
Seven Rivers			Bone Spring	4056'	Oil/Natural Gas
Queen			1st Bone Spring	5817'	Oil/Natural Gas
Capitan	1507'	Usable Water	2nd Bone Spring	6393'	Oil/Natural Gas
Grayburg			3rd Bone Spring		
San Andres			Wolfcamp		

All casing strings will be tested in accordance with 43 CFR Part 3170 Subpart 3172. Must have table for contingency casing.

	Y or N
Is casing new? If used, attach certification as required in Onshore Order #1	Y
Is casing API approved? If no, attach casing specification sheet.	Y
Is premium or uncommon casing planned? If yes attach casing specification sheet.	N
Does the above casing design meet or exceed BLM's minimum standards? If not provide justification (loading assumptions, casing design criteria).	Y
Will the pipe be kept at a minimum 1/3 fluid filled to avoid approaching the collapse pressure rating of the casing?	Y
Is well located within Capitan Reef?	N
If yes, does production casing cement tie back a minimum of 50' above the Reef?	
Is well within the designated 4 string boundary.	N
Is well located in SOPA but not in R-111-Q?	N
If yes, are the first 2 strings cemented to surface and 3 <sup>rd</sup> string cement tied back 500' into previous casing?	
Is well located in R-111-Q and SOPA?	N
If yes, are the first three strings cemented to surface?	
Is 2 <sup>nd</sup> string set 100' to 600' below the base of salt?	
Is an open annulus used to satisfy R-111-Q? If yes, see cement design.	
Is an engineered weak point used to satisfy R-111-Q?	
If yes, at what depth is the weak point planned?	
Is well located in high Cave/Karst?	N
If yes, are there two strings cemented to surface?	
(For 2 string wells) If yes, is there a contingency casing if lost circulation occurs?	
Is well located in critical Cave/Karst?	N
If yes, are there three strings cemented to surface?	

Mewbourne Oil Company, Wine Mixer 21/20 Fed Com 526H

Sec 21, T20S, R27E

SHL: 1420' FSL 750' FEL (Sec 21)

BHL: 1850' FSL 100' FWL (Sec 20)

Well Location GL: 3243'

Point	Calls	Leases	Aliquot	Section	Township	Range	County	Lat	Long	TVD	MD
SHL	SHL: 1420' FSL & 750' FEL (Sec 21)	State	NESE	21	20S	27E	Eddy	32.5556960	- 104.2800278	0'	0'
KOP	KOP: 1850' FSL & 10' FEL (Sec 21)	State	NESE	21	20S	27E	Eddy	32.5568566	- 104.2776197	6,248'	6,313'
FTP	FTP: 1850' FSL & 100' FEL (Sec 21)	State	NESE	21	20S	27E	Eddy	32.5568592	- 104.2779118	6,556'	6,639'
PPP2	PPP2: 1823' FSL & 0' FEL (Sec 20)	NMNM0455265	NESE	20	20S	27E	Eddy	32.5569414	- 104.2948150	6,631'	13,259'
PPP3	PPP3: 1837' FSL & 2635' FWL (Sec 20)	NMNM019598	NESW	20	20S	27E	Eddy	32.5569821	- 104.3033668	6,590'	14,577'
BHL	BHL: 1850' FSL & 100' FWL (Sec 20)	NMNM019598	NWSW	20	20S	27E	Eddy	32.5570208	- 104.3115932	6,511'	17,113'

GEOLOGY

Formation	Est. Top (TVD)	Lithology	Mineral Resources	Formation	Est. Top (TVD)	Lithology	Mineral Resources
Rustler				Yeso			
Castile				Delaware (Lamar)	2336'	Limestone/Dolomite	Oil/Natural Gas
Salt Top				Bell Canyon			
Marker Bed 126				Cherry Canyon			
Salt Base				Manzanita Marker			
Yates	621'	Sandstone	Oil/Natural Gas	Basal Brushy Canyon			
Seven Rivers				Bone Spring	4056'	Limestone	Oil/Natural Gas
Queen				1st Bone Spring	5817'	Sandstone	Oil/Natural Gas
Capitan	1507'	Limestone/Dolomite	Usable Water	2nd Bone Spring	6393'	Sandstone	Oil/Natural Gas
Grayburg				3rd Bone Spring			
San Andres				Wolfcamp			

Casing Program Design A						BLM Minimum Safety Factors		1.125	1.0	1.6 Dry	1.6 Dry
String	Hole Size	Top MD	Top TVD	Bot MD	Bot TVD	Csg. Size	SF Collapse	SF Burst		1.8 Wet	1.8 Wet
										SF Jt Tension	SF Body Tension
Surface	17.5"	0'	0'	415'	415'	13.375" 48# H40 STC	4.15	9.32		16.16	27.16
Intermediate	12.25"	0'	0'	2260'	2260'	9.625" 36# J55 LTC	1.69	2.94		5.57	6.93
Production	8.75"	0'	0'	6313'	6248'	7" 26# P110 LTC	1.98	3.16		4.22	5.06
Liner	6.125"	6113'	6056'	17113'	6511'	4.5" 13.5# P110 LTC	2.62	3.04		2.28	2.84

All casing strings will be tested in accordance with 43 CFR Part 3172. Must have table for contingency casing.

	Y or N
Is casing new? If used, attach certification as required in Onshore Order #1	Y
Is casing API approved? If no, attach casing specification sheet.	Y
Is premium or uncommon casing planned? If yes attach casing specification sheet.	N
Does the above casing design meet or exceed BLM's minimum standards? If not provide justification (loading assumptions, casing design criteria).	Y
Will the pipe be kept at a minimum 1/3 fluid filled to avoid approaching the collapse pressure rating of the casing?	Y
Is well located within Capitan Reef?	N
If yes, does production casing cement tie back a minimum of 50' above the Reef?	
Is well within the designated 4 string boundary.	N
Is well located in SOPA but not in R-111-Q?	N
If yes, are the first 2 strings cemented to surface and 3 <sup>rd</sup> string cement tied back 500' into previous casing?	
Is well located in R-111-Q and SOPA?	N
If yes, are the first three strings cemented to surface?	
Is 2 <sup>nd</sup> string set 100' to 600' below the base of salt?	
Is an open annulus used to satisfy R-111-Q? If yes, see cement design.	
Is an engineered weak point used to satisfy R-111-Q?	
If yes, at what depth is the weak point planned?	
Is well located in high Cave/Karst?	N
If yes, are there two strings cemented to surface?	
(For 2 string wells) If yes, is there a contingency casing if lost circulation occurs?	
Is well located in critical Cave/Karst?	N
If yes, are there three strings cemented to surface?	

Mewbourne Oil Company, Wine Mixer 21/20 Fed Com 526H

Sec 21, T20S, R27E

SHL: 1420' FSL 750' FEL (Sec 21)

BHL: 1850' FSL 100' FWL (Sec 20)

Design A - Cement Program

Csg. Size		# Sacks	Wt., lb/gal	Yield, ft <sup>3</sup> /sack	TOC/BOC	Volume, ft <sup>3</sup>	% Excess	Slurry Description
13.375 in	LEAD	150	12.5	2.12	0' - 226'	320	100%	Class C: Salt, Gel, Extender, LCM
	TAIL	200	14.8	1.34	226' - 415'	268		Class C: Retarder
9.625 in	LEAD	290	12.5	2.12	0' - 1578'	620	25%	Class C: Salt, Gel, Extender, LCM
	TAIL	200	14.8	1.34	1578' - 2260'	268		Class C: Retarder
7 in	LEAD	360	12.5	2.12	2060' - 4697'	770	25%	Class C: Salt, Gel, Extender, LCM, Defoamer
	TAIL	400	15.6	1.18	4697' - 6313'	472		Class H: Retarder, Fluid Loss, Defoamer
4.5 in	LEAD	2090	13.5	1.85	6113' - 17113'	3870	25%	Class H: Salt, Gel, Fluid Loss, Retarder, Dispersant, Defoamer, Anti-settling Agent

Pressure Control Equipment

BOP installed and tested before drilling hole, in:	Size, in	System Rated WP	Type	Tested to:	Rating Depth	
12.25	13.375	5M	Annular	X	2500#/3500#	17,113'
			Blind Ram	X		
		5M	Pipe Ram	X	5000#	
			Double Ram			
			Other*			

\*Specify if additional ram is utilized.

**Equipment:** Annular, Pipe Rams, Blind Rams, Other accessories to the BOP equipment will include a Kelly cock and floor safety valve (inside BOP) and choke lines and choke manifold. See attached schematics.

**Variance Request:** A variance is requested for the use of a flexible choke line from the BOP to the choke manifold. See attached for hydrostatic test chart. Anchors are not required by manufacturer. Variance is requested to use a multi bowl wellhead. Variance is requested to perform break testing according to attached procedure. If a breaktesting variance is approved & incorporated, API Standard 53 will be incorporated and testing annular BOP to 70% of RWP or 100% of MASP, whichever is greater, will be performed.

**Testing Procedure:** BOP/BOPE will be tested by an independent service company to 250 psi low and the high pressure indicated above per 43 CFR Part 3172 requirements. The System may be upgraded to a higher pressure but still tested to the working pressure listed in the table above. If the system is upgraded all the components installed will be functional and tested. Pipe rams will be operationally checked each 24 hour period. Blind rams will be operationally checked on each trip out of the hole. These checks will be noted on the daily tour sheets.

Y	Formation integrity test will be performed per 43 CFR Part 3172. On Exploratory wells or on that portion of any well approved for a 5M BOPE system or greater, a pressure integrity test of each casing shoe shall be performed. Will be tested in accordance with 43 CFR Part 3172.
N	Mewbourne Oil Company request a variance to use a 5000 psi annular BOP with a 10,000 psi BOP stack.

Mud Program

Depth (MD)	Mud Wt., lb/gal	Mud Type
0' - 415'	8.4 - 8.6	Fresh Water
415' - 2260'	10.0 - 10.2	Brine
2260' - 7213'	8.6 - 9.7	Cut-Brine
7213' - 17113'	10.0 - 11.5	OBM

Sufficient mud materials to maintain mud properties and meet minimum lost circulation and weight increase requirements will be kept on location at all times.

What will be used to monitor the loss or gain of fluid?	Pason/PVT/Visual Monitoring
---	-----------------------------

Mewbourne Oil Company, Wine Mixer 21/20 Fed Com 526H

Sec 21, T20S, R27E

SHL: 1420' FSL 750' FEL (Sec 21)

BHL: 1850' FSL 100' FWL (Sec 20)

Logging and Testing Procedures

Logging, Coring and Testing.	
N	Will run GR/CNL from KOP (6313') to surface (horizontal well – vertical portion of hole). Stated logs run will be in the Completion Report and submitted to the BLM.
Y	No logs are planned based on well control or offset log information. Offset Well: Wine Mixer 21/20 Fed Com #528H
N	Coring? If yes, explain:

Open & Cased Hole Logs Run In the Well

<input type="checkbox"/>	Caliper	<input type="checkbox"/>	Cement Bond Log	<input type="checkbox"/>	CNL/FDC
<input type="checkbox"/>	Compensated Densilog	<input type="checkbox"/>	Compensated Neutron Log	<input type="checkbox"/>	Computer Generated Log
<input type="checkbox"/>	Dip Meter Log	<input checked="" type="checkbox"/>	<b>Directional Survey</b>	<input type="checkbox"/>	Dual Induction/Microresistivity
<input type="checkbox"/>	Dual Lateral Log/Microspherically Focused	<input type="checkbox"/>	Electric Log	<input type="checkbox"/>	Formation Density Compensated Log
<input type="checkbox"/>	Gamma Ray Log	<input checked="" type="checkbox"/>	<b>Measurement While Drilling</b>	<input type="checkbox"/>	Mud Log/Geological Lithology Log
<input type="checkbox"/>	Other	<input type="checkbox"/>	Porosity-Resistivity Log	<input type="checkbox"/>	Sidewall Neutron Log
<input type="checkbox"/>	Sonic Log	<input type="checkbox"/>	Spontaneous Potential Log	<input type="checkbox"/>	Temperature Log

Drilling Conditions

Condition	Specify what type and where?
BH Pressure at deepest TVD	4079 psi
BH Temperature	140
Abnormal Temp, Pressure, or Geologic Hazards	No

Mitigation measure for abnormal conditions. Describe. Lost circulation material/sweeps/mud scavengers in surface hole. Weighted mud for possible over-pressure in Wolfcamp formation.

Hydrogen Sulfide (H2S) monitors will be installed prior to drilling out the surface shoe. If H2S is detected in concentrations greater than 100 ppm, the operator will comply with the provisions of Onshore Oil and Gas Order #6. If Hydrogen Sulfide is encountered, measured values and formations will be provided to the BLM.

	H2S is present
X	H2S Plan attached

Mewbourne Oil Company, Wine Mixer 21/20 Fed Com 526H

Sec 21, T20S, R27E

SHL: 1420' FSL 750' FEL (Sec 21)

BHL: 1850' FSL 100' FWL (Sec 20)

Other facets of operation

Mewbourne Oil Company also requests approval to implement additional designs as described below &/or in other attachments. BLM will be notified of elected design.

**Offline Cementing Variance:** Variance is requested to perform offline cementing according to the attached procedure. **R-111Q:** Mewbourne proposes performing Open Hole Cementing per R-111Q Guidelines if well is in Potash.

Casing Program Design B						BLM Minimum Safety Factors		1.125	1.0	1.6 Dry	1.6 Dry
String	Hole Size	Top MD	Top TVD	Bot MD	Bot TVD	Csg. Size	SF Collapse	SF Burst	SF Jt	1.8 Wet	1.8 Wet
Surface	17.5"	0'	0'	415'	415'	13.375" 48# H40 STC	4.15	9.32	16.16	27.16	
Intermediate	12.25"	0'	0'	2260'	2260'	9.625" 36# J55 LTC	1.69	2.94	5.57	6.93	
Production	8.75"	0'	0'	7213'	6821'	7" 26# P110 LTC	1.81	2.89	3.70	4.43	
Liner	6.125"	6313'	6248'	17113'	6511'	4.5" 13.5# P110 LTC	2.62	3.04	2.32	2.89	

All casing strings will be tested in accordance with 43 CFR Part 3172. Must have table for contingency casing.

	Y or N
Is casing new? If used, attach certification as required in Onshore Order #1	Y
Is casing API approved? If no, attach casing specification sheet.	Y
Is premium or uncommon casing planned? If yes attach casing specification sheet.	N
Does the above casing design meet or exceed BLM's minimum standards? If not provide justification (loading assumptions, casing design criteria).	Y
Will the pipe be kept at a minimum 1/3 fluid filled to avoid approaching the collapse pressure rating of the casing?	Y
Is well located within Capitan Reef?	N
If yes, does production casing cement tie back a minimum of 50' above the Reef?	
Is well within the designated 4 string boundary.	N
Is well located in SOPA but not in R-111-Q?	N
If yes, are the first 2 strings cemented to surface and 3 <sup>rd</sup> string cement tied back 500' into previous casing?	
Is well located in R-111-Q and SOPA?	N
If yes, are the first three strings cemented to surface?	
Is 2 <sup>nd</sup> string set 100' to 600' below the base of salt?	
Is an open annulus used to satisfy R-111-Q? If yes, see cement design.	
Is an engineered weak point used to satisfy R-111-Q?	
If yes, at what depth is the weak point planned?	
Is well located in high Cave/Karst?	N
If yes, are there two strings cemented to surface?	
(For 2 string wells) If yes, is there a contingency casing if lost circulation occurs?	
Is well located in critical Cave/Karst?	N
If yes, are there three strings cemented to surface?	

Design B - Cement Program

Csg. Size		# Sacks	Wt., lb/gal	Yield, ft <sup>3</sup> /sack	TOC/BOC	Volume, ft <sup>3</sup>	% Excess	Slurry Description
13.375 in	LEAD	150	12.5	2.12	0' - 226'	320	100%	Class C: Salt, Gel, Extender, LCM
	TAIL	200	14.8	1.34	226' - 415'	268		Class C: Retarder
9.625 in	LEAD	290	12.5	2.12	0' - 1578'	620	25%	Class C: Salt, Gel, Extender, LCM
	TAIL	200	14.8	1.34	1578' - 2260'	268		Class C: Retarder
1st Stg 7 in	LEAD	440	12.5	2.12	2060' - 5490'	940	25%	Class C: Salt, Gel, Extender, LCM, Defoamer
	TAIL	400	15.6	1.18	5490' - 7213'	472		Class H: Retarder, Fluid Loss, Defoamer
4.5 in	LEAD	690	13.5	1.85	6313' - 17113'	1280	25%	Class H: Salt, Gel, Fluid Loss, Retarder, Dispersant, Defoamer, Anti-settling Agent



## Mewbourne Oil Co.

### BOP Break Testing Variance

Mewbourne Oil Company requests a variance from the minimum standards for well control equipment testing of 43 CFR 3172 to allow a testing schedule of the blow out preventer (BOP) and blow out prevention equipment (BOPE) along with batch drilling & offline cementing operations. Modern rig upgrades which facilitate pad drilling allow the BOP stack to be moved between wells on a multi-well pad without breaking any BOP stack components apart. Widespread use of these technologies has led to break testing BOPE being endorsed as safe and reliable. American Petroleum Institute (API) best practices are frequently used by regulators to develop their regulations. API Standard 53, *Well Control Equipment Systems for Drilling Wells* (5<sup>th</sup> Ed., Dec. 2018) Section 5.3.7.1 states "A pressure test of the pressure containing component shall be performed following the disconnection or repair, limited to the affected component."

### **Procedures**

1. Full BOPE test at first installation on the pad.
  - Full BOPE test at least every 21 days.
  - Function test BOP elements per 43 CFR 3172.
  - Contact the BLM if a well control event occurs.
2. After the well section is secured and the well is confirmed to be static, the BOP will be disconnected from the wellhead and walked with the rig to another well on the pad. Two breaks on the BOPE will be made (Fig. 1).
  - Connection between the flex line and the HCR valve
  - Connection between the wellhead and the BOP quick connect (Fig. 5 & 6).
3. A capping flange will be installed after cementing per wellhead vendor procedure & casing pressure will be monitored via wellhead valve.
4. The BOP will be removed and carried by a hydraulic carrier (Fig. 3 & 4).
5. The rig will then walk to the next well.
6. Confirm that the well is static and remove the capping flange.
7. The connection between the flex line and HCR valve and the connection between the wellhead and the BOP quick connect will be reconnected.
8. Install a test plug into the wellhead.
9. A test will then be conducted against the upper pipe rams and choke, testing both breaks (Fig. 1 & 2).
10. The test will be held at 250 psi low and to the high value submitted in the APD, not to exceed 5000 psi.
11. The annular, blind rams and lower pipe rams will then be function tested.
12. If a pad consists of three or more wells, steps 4 through 11 will be repeated.





13. A break test will only be conducted if the intermediate section can be drilled and cased within 21 days of the last full BOPE test.

## **Barriers**

### **Before Nipple Down:**

- Floats in casing
- Kill weight fluid in casing
- Kill weight fluid in annulus
- Solid body mandrel and/or packoff

### **After Nipple Down:**

- Floats in casing
- Kill weight fluid in casing
- Kill weight fluid in annulus
- Solid body mandrel and/or packoff
- Offline cementing tool and/or cement head
- Capping flange after cementing

## **Summary**

A variance is requested to only test broken pressure seals on the BOPE when moving between wells on a multi-well pad if the following conditions are met:

- A full BOPE test is conducted on the first well on the pad. API Standard 53 requires testing annular BOP to 70% of RWP or 100% of MASP, whichever is greater.
- If the first well on the pad is not the well with the deepest intermediate section, a full BOPE test will also be performed when moving to a deeper well.
- The hole section being drilled has a MASP under 5000 psi.
- If a well control event occurs, Mewbourne will contact BLM for permission to continue break testing.
- If significant (>50%) losses occur, full BOPE testing will be required going forward.
- Full BOPE test will be required prior to drilling the production hole.

While walking the rig, the BOP stack will be secured via hydraulic winch or hydraulic carrier. A full BOPE test will be performed at least every 21 days.

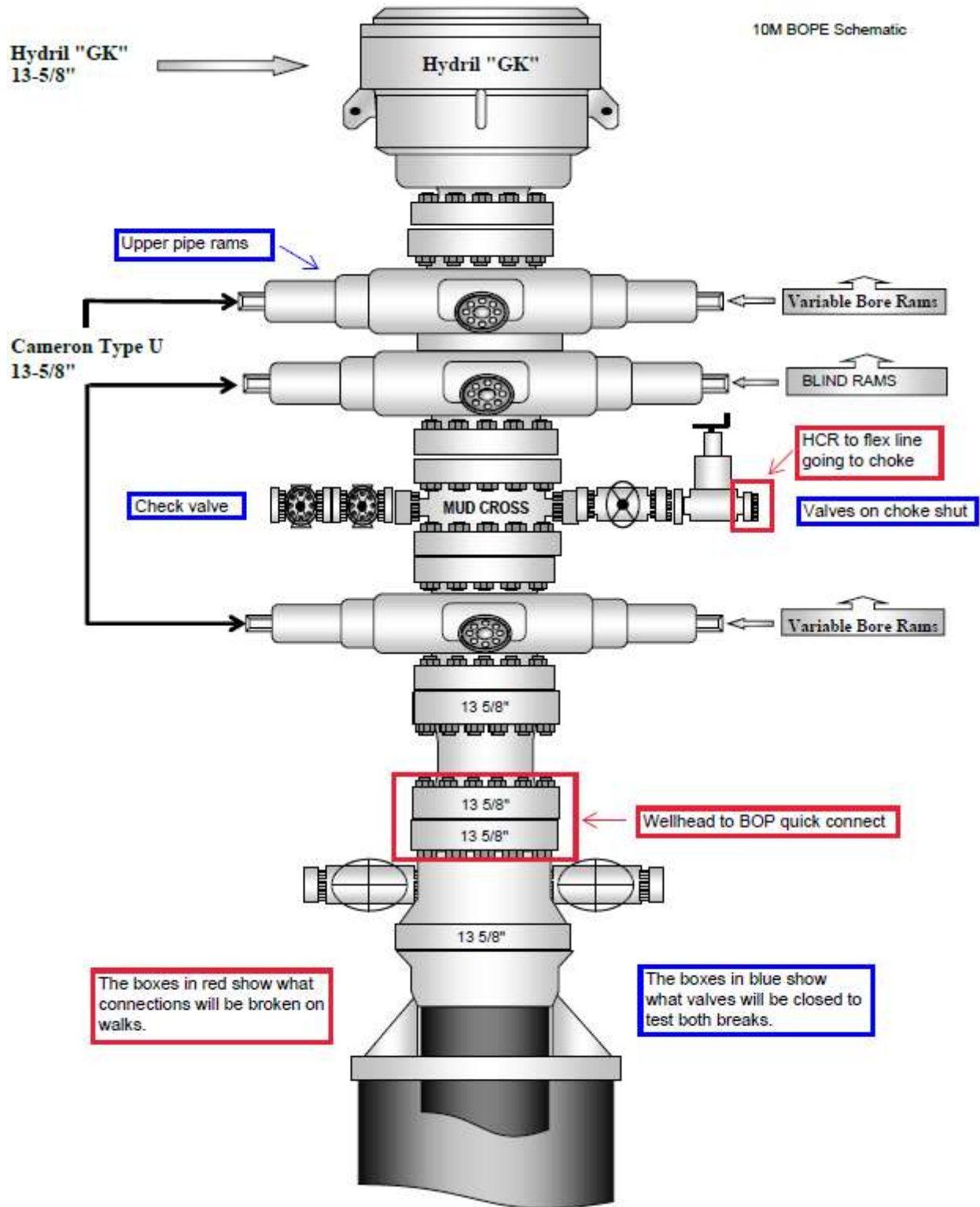


Figure 1. BOP diagram



# 5M BOPE & Closed Loop Equipment Schematic

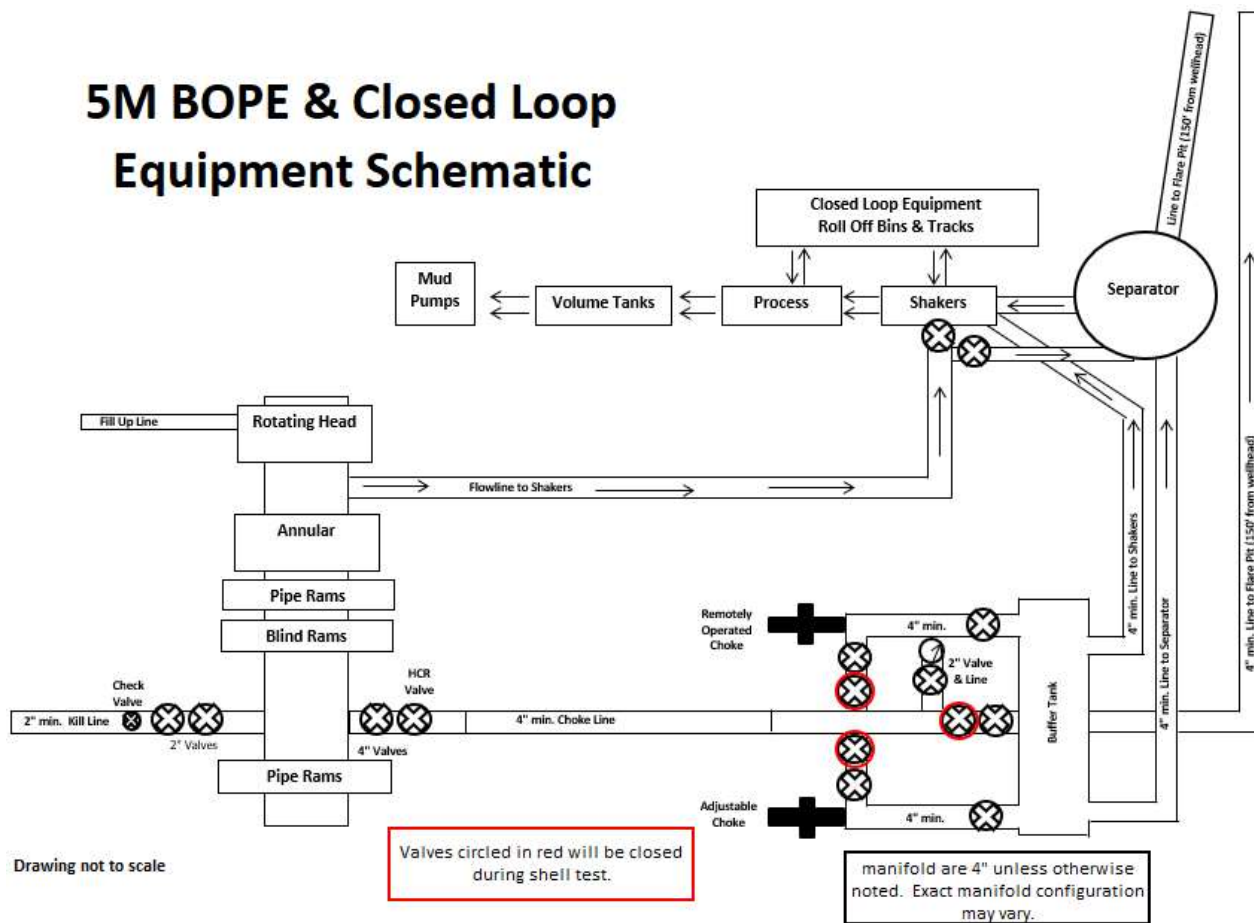


Figure 2. BOPE diagram



Figure 3. BOP handling system



Figure 4. BOP handling system



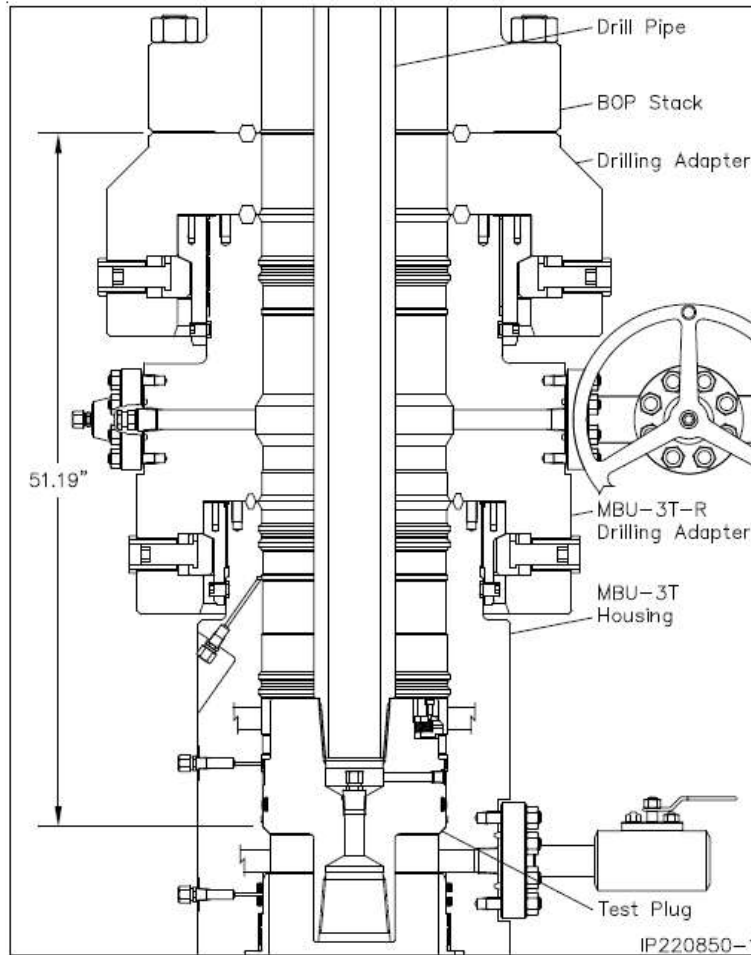


Figure 5. Cactus 5M wellhead with BOP quick connect

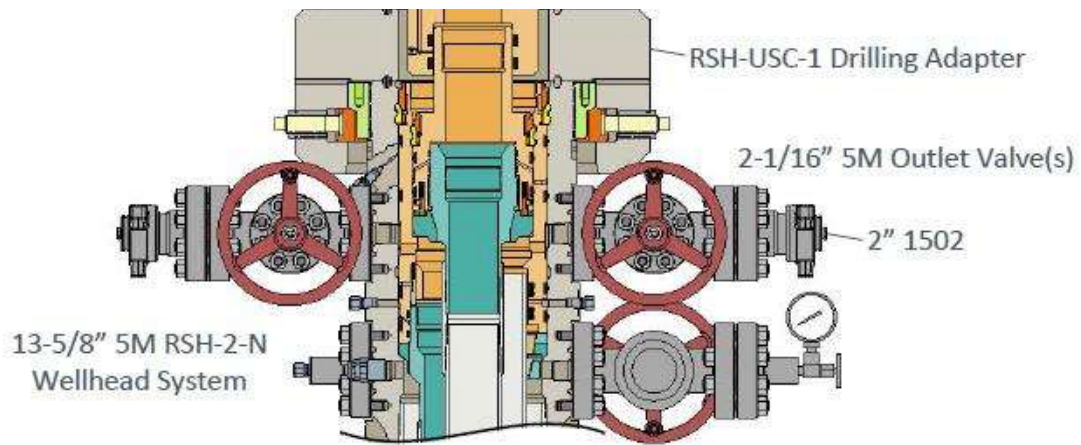
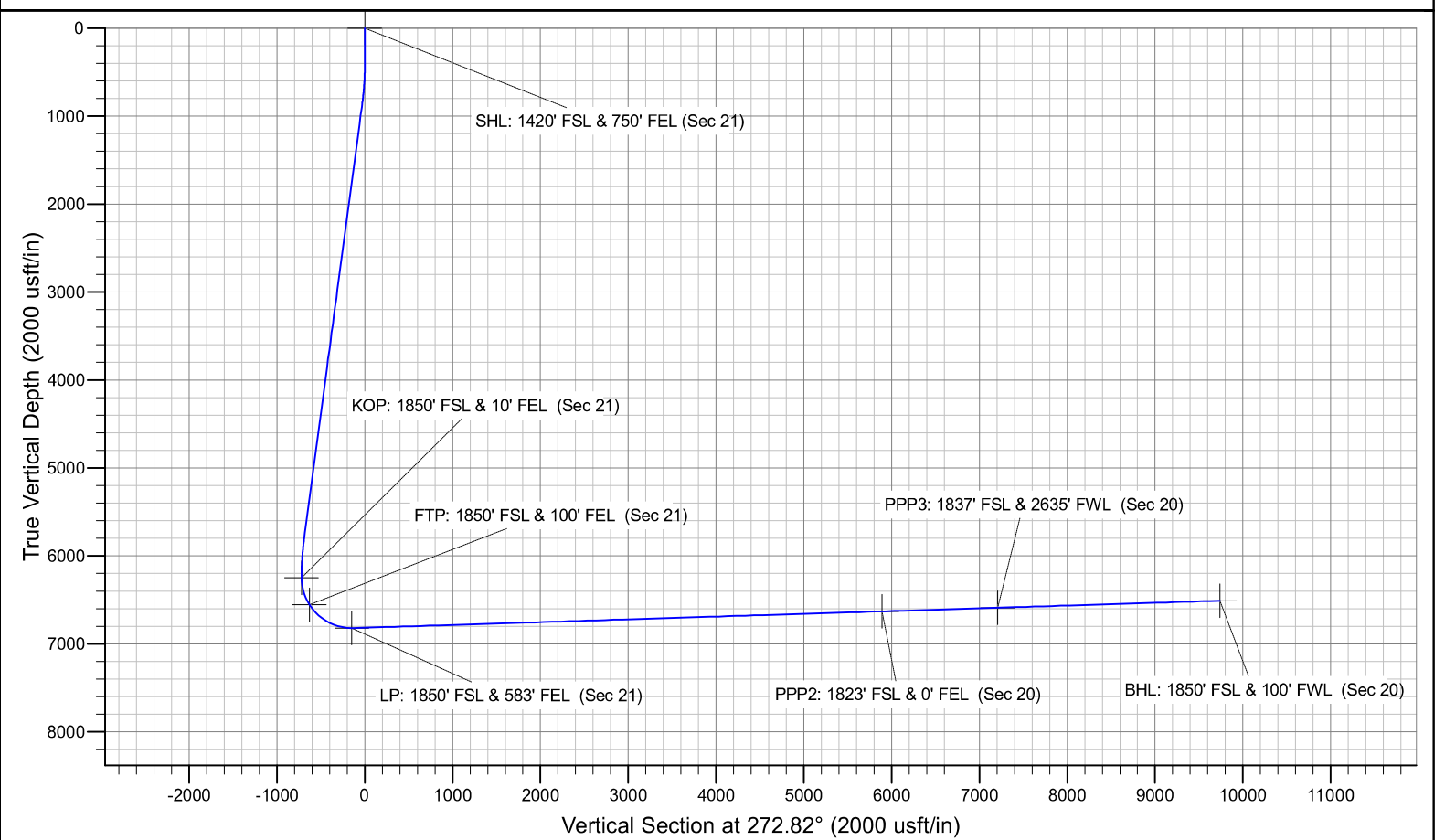
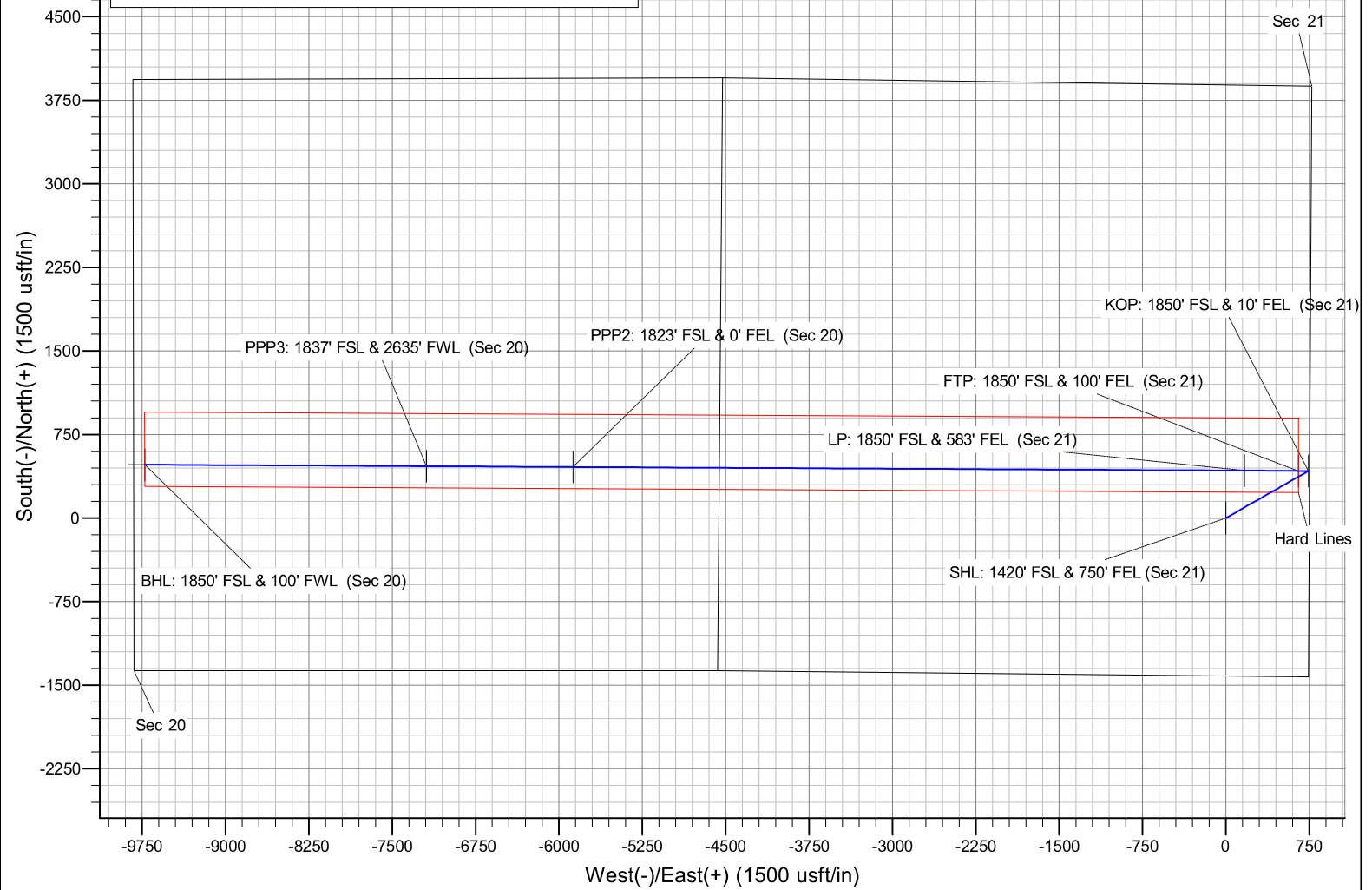


Figure 6. Vault 5M wellhead with BOP quick connect



# Wine Mixer 21/20 Fed Com #526H



# **Mewbourne Oil Company**

**Eddy County, New Mexico NAD 83**

**Wine Mixer 21/20 Fed Com #526H**

**Sec 21, T20S, R27E**

**SHL: 1420' FSL & 750' FEL (Sec 21)**

**BHL: 1850' FSL & 100' FWL (Sec 20)**

**Plan: Design #1**

## **Standard Planning Report**

**24 June, 2025**

Planning Report

<b>Database:</b>	Hobbs	<b>Local Co-ordinate Reference:</b>	Site Wine Mixer 21/20 Fed Com #526H
<b>Company:</b>	Mewbourne Oil Company	<b>TVD Reference:</b>	WELL @ 3271.0usft (Original Well Elev)
<b>Project:</b>	Eddy County, New Mexico NAD 83	<b>MD Reference:</b>	WELL @ 3271.0usft (Original Well Elev)
<b>Site:</b>	Wine Mixer 21/20 Fed Com #526H	<b>North Reference:</b>	Grid
<b>Well:</b>	Sec 21, T20S, R27E	<b>Survey Calculation Method:</b>	Minimum Curvature
<b>Wellbore:</b>	BHL: 1850' FSL & 100' FWL (Sec 20)		
<b>Design:</b>	Design #1		

<b>Project</b>	Eddy County, New Mexico NAD 83		
<b>Map System:</b>	US State Plane 1983	<b>System Datum:</b>	Ground Level
<b>Geo Datum:</b>	North American Datum 1983		
<b>Map Zone:</b>	New Mexico Eastern Zone		

<b>Site</b>	Wine Mixer 21/20 Fed Com #526H				
<b>Site Position:</b>		<b>Northing:</b>	565,897.00 usft	<b>Latitude:</b>	32.5556960
<b>From:</b>	Map	<b>Easting:</b>	557,761.20 usft	<b>Longitude:</b>	-104.2800276
<b>Position Uncertainty:</b>	0.0 usft	<b>Slot Radius:</b>	13-3/16 "		

<b>Well</b>	Sec 21, T20S, R27E					
<b>Well Position</b>	<b>+N-S</b>	0.0 usft	<b>Northing:</b>	565,897.00 usft	<b>Latitude:</b>	32.5556960
	<b>+E-W</b>	0.0 usft	<b>Easting:</b>	557,761.20 usft	<b>Longitude:</b>	-104.2800276
<b>Position Uncertainty</b>		0.0 usft	<b>Wellhead Elevation:</b>	3,271.0 usft	<b>Ground Level:</b>	3,243.0 usft
<b>Grid Convergence:</b>	0.03 °					

<b>Wellbore</b>	BHL: 1850' FSL & 100' FWL (Sec 20)				
<b>Magnetics</b>	<b>Model Name</b>	<b>Sample Date</b>	<b>Declination (°)</b>	<b>Dip Angle (°)</b>	<b>Field Strength (nT)</b>
	IGRF2010	12/31/2014	7.50	60.29	48,360.30847658

<b>Design</b>	Design #1			
<b>Audit Notes:</b>				
<b>Version:</b>	<b>Phase:</b>	PROTOTYPE	<b>Tie On Depth:</b>	0.0
<b>Vertical Section:</b>	<b>Depth From (TVD) (usft)</b>	<b>+N-S (usft)</b>	<b>+E-W (usft)</b>	<b>Direction (°)</b>
	0.0	0.0	0.0	272.82

<b>Plan Survey Tool Program</b>	<b>Date</b>	6/24/2025		
<b>Depth From (usft)</b>	<b>Depth To (usft)</b>	<b>Survey (Wellbore)</b>	<b>Tool Name</b>	<b>Remarks</b>
1	0.0	0.0	Design #1 (BHL: 1850' FSL & 100	

<b>Plan Sections</b>										
<b>Measured Depth (usft)</b>	<b>Inclination (°)</b>	<b>Azimuth (°)</b>	<b>Vertical Depth (usft)</b>	<b>+N-S (usft)</b>	<b>+E-W (usft)</b>	<b>Dogleg Rate (°/100usft)</b>	<b>Build Rate (°/100usft)</b>	<b>Turn Rate (°/100usft)</b>	<b>TFO (°)</b>	<b>Target</b>
0.0	0.00	0.00	0.0	0.0	0.0	0.00	0.00	0.00	0.00	

Planning Report

<b>Database:</b>	Hobbs	<b>Local Co-ordinate Reference:</b>	Site Wine Mixer 21/20 Fed Com #526H
<b>Company:</b>	Mewbourne Oil Company	<b>TVD Reference:</b>	WELL @ 3271.0usft (Original Well Elev)
<b>Project:</b>	Eddy County, New Mexico NAD 83	<b>MD Reference:</b>	WELL @ 3271.0usft (Original Well Elev)
<b>Site:</b>	Wine Mixer 21/20 Fed Com #526H	<b>North Reference:</b>	Grid
<b>Well:</b>	Sec 21, T20S, R27E	<b>Survey Calculation Method:</b>	Minimum Curvature
<b>Wellbore:</b>	BHL: 1850' FSL & 100' FWL (Sec 20)		
<b>Design:</b>	Design #1		

Planned Survey										
Measured Depth (usft)	Inclination (°)	Azimuth (°)	Vertical Depth (usft)	+N/-S (usft)	+E/-W (usft)	Vertical Section (usft)	Dogleg Rate (°/100usft)	Build Rate (°/100usft)	Turn Rate (°/100usft)	
0.0	0.00	0.00	0.0	0.0	0.0	0.0	0.00	0.00	0.00	
<b>SHL: 1420' FSL &amp; 750' FEL (Sec 21)</b>										
50.0	0.00	0.00	50.0	0.0	0.0	0.0	0.00	0.00	0.00	
100.0	0.00	0.00	100.0	0.0	0.0	0.0	0.00	0.00	0.00	
150.0	0.00	0.00	150.0	0.0	0.0	0.0	0.00	0.00	0.00	
200.0	0.00	0.00	200.0	0.0	0.0	0.0	0.00	0.00	0.00	
250.0	0.00	0.00	250.0	0.0	0.0	0.0	0.00	0.00	0.00	
300.0	0.00	0.00	300.0	0.0	0.0	0.0	0.00	0.00	0.00	
350.0	0.00	0.00	350.0	0.0	0.0	0.0	0.00	0.00	0.00	
400.0	0.00	0.00	400.0	0.0	0.0	0.0	0.00	0.00	0.00	
415.0	0.00	0.00	415.0	0.0	0.0	0.0	0.00	0.00	0.00	
450.0	0.70	60.33	450.0	0.1	0.2	-0.2	2.00	2.00	0.00	
500.0	1.70	60.33	500.0	0.6	1.1	-1.1	2.00	2.00	0.00	
550.0	2.70	60.33	550.0	1.6	2.8	-2.7	2.00	2.00	0.00	
600.0	3.70	60.33	599.9	3.0	5.2	-5.0	2.00	2.00	0.00	
650.0	4.70	60.33	649.7	4.8	8.4	-8.1	2.00	2.00	0.00	
700.0	5.70	60.33	699.5	7.0	12.3	-11.9	2.00	2.00	0.00	
750.0	6.70	60.33	749.2	9.7	17.0	-16.5	2.00	2.00	0.00	
800.0	7.70	60.33	798.8	12.8	22.4	-21.8	2.00	2.00	0.00	
850.0	8.70	60.33	848.3	16.3	28.6	-27.8	2.00	2.00	0.00	
865.7	9.01	60.33	863.8	17.5	30.7	-29.8	2.00	2.00	0.00	
900.0	9.01	60.33	897.7	20.2	35.4	-34.4	0.00	0.00	0.00	
950.0	9.01	60.33	947.1	24.1	42.2	-41.0	0.00	0.00	0.00	
1,000.0	9.01	60.33	996.5	27.9	49.0	-47.6	0.00	0.00	0.00	
1,050.0	9.01	60.33	1,045.9	31.8	55.8	-54.2	0.00	0.00	0.00	
1,100.0	9.01	60.33	1,095.2	35.7	62.6	-60.8	0.00	0.00	0.00	
1,150.0	9.01	60.33	1,144.6	39.6	69.4	-67.4	0.00	0.00	0.00	
1,200.0	9.01	60.33	1,194.0	43.4	76.2	-74.0	0.00	0.00	0.00	
1,250.0	9.01	60.33	1,243.4	47.3	83.1	-80.6	0.00	0.00	0.00	
1,300.0	9.01	60.33	1,292.8	51.2	89.9	-87.2	0.00	0.00	0.00	
1,350.0	9.01	60.33	1,342.2	55.1	96.7	-93.8	0.00	0.00	0.00	
1,400.0	9.01	60.33	1,391.5	59.0	103.5	-100.4	0.00	0.00	0.00	
1,450.0	9.01	60.33	1,440.9	62.8	110.3	-107.1	0.00	0.00	0.00	
1,500.0	9.01	60.33	1,490.3	66.7	117.1	-113.7	0.00	0.00	0.00	
1,550.0	9.01	60.33	1,539.7	70.6	123.9	-120.3	0.00	0.00	0.00	
1,600.0	9.01	60.33	1,589.1	74.5	130.7	-126.9	0.00	0.00	0.00	
1,650.0	9.01	60.33	1,638.5	78.3	137.5	-133.5	0.00	0.00	0.00	
1,700.0	9.01	60.33	1,687.8	82.2	144.3	-140.1	0.00	0.00	0.00	
1,750.0	9.01	60.33	1,737.2	86.1	151.1	-146.7	0.00	0.00	0.00	
1,800.0	9.01	60.33	1,786.6	90.0	157.9	-153.3	0.00	0.00	0.00	
1,850.0	9.01	60.33	1,836.0	93.9	164.7	-159.9	0.00	0.00	0.00	
1,900.0	9.01	60.33	1,885.4	97.7	171.5	-166.5	0.00	0.00	0.00	
1,950.0	9.01	60.33	1,934.8	101.6	178.3	-173.1	0.00	0.00	0.00	
2,000.0	9.01	60.33	1,984.1	105.5	185.1	-179.7	0.00	0.00	0.00	
2,050.0	9.01	60.33	2,033.5	109.4	192.0	-186.3	0.00	0.00	0.00	
2,100.0	9.01	60.33	2,082.9	113.2	198.8	-193.0	0.00	0.00	0.00	
2,150.0	9.01	60.33	2,132.3	117.1	205.6	-199.6	0.00	0.00	0.00	
2,200.0	9.01	60.33	2,181.7	121.0	212.4	-206.2	0.00	0.00	0.00	
2,250.0	9.01	60.33	2,231.0	124.9	219.2	-212.8	0.00	0.00	0.00	
2,300.0	9.01	60.33	2,280.4	128.8	226.0	-219.4	0.00	0.00	0.00	
2,350.0	9.01	60.33	2,329.8	132.6	232.8	-226.0	0.00	0.00	0.00	
2,400.0	9.01	60.33	2,379.2	136.5	239.6	-232.6	0.00	0.00	0.00	
2,450.0	9.01	60.33	2,428.6	140.4	246.4	-239.2	0.00	0.00	0.00	
2,500.0	9.01	60.33	2,478.0	144.3	253.2	-245.8	0.00	0.00	0.00	

Planning Report

<b>Database:</b>	Hobbs	<b>Local Co-ordinate Reference:</b>	Site Wine Mixer 21/20 Fed Com #526H
<b>Company:</b>	Mewbourne Oil Company	<b>TVD Reference:</b>	WELL @ 3271.0usft (Original Well Elev)
<b>Project:</b>	Eddy County, New Mexico NAD 83	<b>MD Reference:</b>	WELL @ 3271.0usft (Original Well Elev)
<b>Site:</b>	Wine Mixer 21/20 Fed Com #526H	<b>North Reference:</b>	Grid
<b>Well:</b>	Sec 21, T20S, R27E	<b>Survey Calculation Method:</b>	Minimum Curvature
<b>Wellbore:</b>	BHL: 1850' FSL & 100' FWL (Sec 20)		
<b>Design:</b>	Design #1		

Planned Survey									
Measured Depth (usft)	Inclination (°)	Azimuth (°)	Vertical Depth (usft)	+N/-S (usft)	+E/-W (usft)	Vertical Section (usft)	Dogleg Rate (°/100usft)	Build Rate (°/100usft)	Turn Rate (°/100usft)
2,550.0	9.01	60.33	2,527.3	148.1	260.0	-252.4	0.00	0.00	0.00
2,600.0	9.01	60.33	2,576.7	152.0	266.8	-259.0	0.00	0.00	0.00
2,650.0	9.01	60.33	2,626.1	155.9	273.6	-265.6	0.00	0.00	0.00
2,700.0	9.01	60.33	2,675.5	159.8	280.4	-272.2	0.00	0.00	0.00
2,750.0	9.01	60.33	2,724.9	163.7	287.2	-278.9	0.00	0.00	0.00
2,800.0	9.01	60.33	2,774.3	167.5	294.0	-285.5	0.00	0.00	0.00
2,850.0	9.01	60.33	2,823.6	171.4	300.9	-292.1	0.00	0.00	0.00
2,900.0	9.01	60.33	2,873.0	175.3	307.7	-298.7	0.00	0.00	0.00
2,950.0	9.01	60.33	2,922.4	179.2	314.5	-305.3	0.00	0.00	0.00
3,000.0	9.01	60.33	2,971.8	183.1	321.3	-311.9	0.00	0.00	0.00
3,050.0	9.01	60.33	3,021.2	186.9	328.1	-318.5	0.00	0.00	0.00
3,100.0	9.01	60.33	3,070.6	190.8	334.9	-325.1	0.00	0.00	0.00
3,150.0	9.01	60.33	3,119.9	194.7	341.7	-331.7	0.00	0.00	0.00
3,200.0	9.01	60.33	3,169.3	198.6	348.5	-338.3	0.00	0.00	0.00
3,250.0	9.01	60.33	3,218.7	202.4	355.3	-344.9	0.00	0.00	0.00
3,300.0	9.01	60.33	3,268.1	206.3	362.1	-351.5	0.00	0.00	0.00
3,350.0	9.01	60.33	3,317.5	210.2	368.9	-358.1	0.00	0.00	0.00
3,400.0	9.01	60.33	3,366.8	214.1	375.7	-364.7	0.00	0.00	0.00
3,450.0	9.01	60.33	3,416.2	218.0	382.5	-371.4	0.00	0.00	0.00
3,500.0	9.01	60.33	3,465.6	221.8	389.3	-378.0	0.00	0.00	0.00
3,550.0	9.01	60.33	3,515.0	225.7	396.1	-384.6	0.00	0.00	0.00
3,600.0	9.01	60.33	3,564.4	229.6	402.9	-391.2	0.00	0.00	0.00
3,650.0	9.01	60.33	3,613.8	233.5	409.8	-397.8	0.00	0.00	0.00
3,700.0	9.01	60.33	3,663.1	237.3	416.6	-404.4	0.00	0.00	0.00
3,750.0	9.01	60.33	3,712.5	241.2	423.4	-411.0	0.00	0.00	0.00
3,800.0	9.01	60.33	3,761.9	245.1	430.2	-417.6	0.00	0.00	0.00
3,850.0	9.01	60.33	3,811.3	249.0	437.0	-424.2	0.00	0.00	0.00
3,900.0	9.01	60.33	3,860.7	252.9	443.8	-430.8	0.00	0.00	0.00
3,950.0	9.01	60.33	3,910.1	256.7	450.6	-437.4	0.00	0.00	0.00
4,000.0	9.01	60.33	3,959.4	260.6	457.4	-444.0	0.00	0.00	0.00
4,050.0	9.01	60.33	4,008.8	264.5	464.2	-450.6	0.00	0.00	0.00
4,100.0	9.01	60.33	4,058.2	268.4	471.0	-457.3	0.00	0.00	0.00
4,150.0	9.01	60.33	4,107.6	272.2	477.8	-463.9	0.00	0.00	0.00
4,200.0	9.01	60.33	4,157.0	276.1	484.6	-470.5	0.00	0.00	0.00
4,250.0	9.01	60.33	4,206.4	280.0	491.4	-477.1	0.00	0.00	0.00
4,300.0	9.01	60.33	4,255.7	283.9	498.2	-483.7	0.00	0.00	0.00
4,350.0	9.01	60.33	4,305.1	287.8	505.0	-490.3	0.00	0.00	0.00
4,400.0	9.01	60.33	4,354.5	291.6	511.8	-496.9	0.00	0.00	0.00
4,450.0	9.01	60.33	4,403.9	295.5	518.7	-503.5	0.00	0.00	0.00
4,500.0	9.01	60.33	4,453.3	299.4	525.5	-510.1	0.00	0.00	0.00
4,550.0	9.01	60.33	4,502.6	303.3	532.3	-516.7	0.00	0.00	0.00
4,600.0	9.01	60.33	4,552.0	307.1	539.1	-523.3	0.00	0.00	0.00
4,650.0	9.01	60.33	4,601.4	311.0	545.9	-529.9	0.00	0.00	0.00
4,700.0	9.01	60.33	4,650.8	314.9	552.7	-536.5	0.00	0.00	0.00
4,750.0	9.01	60.33	4,700.2	318.8	559.5	-543.1	0.00	0.00	0.00
4,800.0	9.01	60.33	4,749.6	322.7	566.3	-549.8	0.00	0.00	0.00
4,850.0	9.01	60.33	4,798.9	326.5	573.1	-556.4	0.00	0.00	0.00
4,900.0	9.01	60.33	4,848.3	330.4	579.9	-563.0	0.00	0.00	0.00
4,950.0	9.01	60.33	4,897.7	334.3	586.7	-569.6	0.00	0.00	0.00
5,000.0	9.01	60.33	4,947.1	338.2	593.5	-576.2	0.00	0.00	0.00
5,050.0	9.01	60.33	4,996.5	342.1	600.3	-582.8	0.00	0.00	0.00
5,100.0	9.01	60.33	5,045.9	345.9	607.1	-589.4	0.00	0.00	0.00
5,150.0	9.01	60.33	5,095.2	349.8	613.9	-596.0	0.00	0.00	0.00
5,200.0	9.01	60.33	5,144.6	353.7	620.7	-602.6	0.00	0.00	0.00

Planning Report

<b>Database:</b>	Hobbs	<b>Local Co-ordinate Reference:</b>	Site Wine Mixer 21/20 Fed Com #526H
<b>Company:</b>	Mewbourne Oil Company	<b>TVD Reference:</b>	WELL @ 3271.0usft (Original Well Elev)
<b>Project:</b>	Eddy County, New Mexico NAD 83	<b>MD Reference:</b>	WELL @ 3271.0usft (Original Well Elev)
<b>Site:</b>	Wine Mixer 21/20 Fed Com #526H	<b>North Reference:</b>	Grid
<b>Well:</b>	Sec 21, T20S, R27E	<b>Survey Calculation Method:</b>	Minimum Curvature
<b>Wellbore:</b>	BHL: 1850' FSL & 100' FWL (Sec 20)		
<b>Design:</b>	Design #1		

Planned Survey										
Measured Depth (usft)	Inclination (°)	Azimuth (°)	Vertical Depth (usft)	+N/-S (usft)	+E/-W (usft)	Vertical Section (usft)	Dogleg Rate (°/100usft)	Build Rate (°/100usft)	Turn Rate (°/100usft)	
5,250.0	9.01	60.33	5,194.0	357.6	627.6	-609.2	0.00	0.00	0.00	
5,300.0	9.01	60.33	5,243.4	361.4	634.4	-615.8	0.00	0.00	0.00	
5,350.0	9.01	60.33	5,292.8	365.3	641.2	-622.4	0.00	0.00	0.00	
5,400.0	9.01	60.33	5,342.1	369.2	648.0	-629.0	0.00	0.00	0.00	
5,450.0	9.01	60.33	5,391.5	373.1	654.8	-635.7	0.00	0.00	0.00	
5,500.0	9.01	60.33	5,440.9	377.0	661.6	-642.3	0.00	0.00	0.00	
5,550.0	9.01	60.33	5,490.3	380.8	668.4	-648.9	0.00	0.00	0.00	
5,600.0	9.01	60.33	5,539.7	384.7	675.2	-655.5	0.00	0.00	0.00	
5,650.0	9.01	60.33	5,589.1	388.6	682.0	-662.1	0.00	0.00	0.00	
5,700.0	9.01	60.33	5,638.4	392.5	688.8	-668.7	0.00	0.00	0.00	
5,750.0	9.01	60.33	5,687.8	396.3	695.6	-675.3	0.00	0.00	0.00	
5,800.0	9.01	60.33	5,737.2	400.2	702.4	-681.9	0.00	0.00	0.00	
5,850.0	9.01	60.33	5,786.6	404.1	709.2	-688.5	0.00	0.00	0.00	
5,862.7	9.01	60.33	5,799.2	405.1	711.0	-690.2	0.00	0.00	0.00	
5,900.0	8.27	60.33	5,836.0	407.9	715.8	-694.9	2.00	-2.00	0.00	
5,950.0	7.27	60.33	5,885.6	411.2	721.7	-700.6	2.00	-2.00	0.00	
6,000.0	6.27	60.33	5,935.2	414.1	726.8	-705.6	2.00	-2.00	0.00	
6,050.0	5.27	60.33	5,984.9	416.6	731.2	-709.8	2.00	-2.00	0.00	
6,100.0	4.27	60.33	6,034.8	418.7	734.8	-713.3	2.00	-2.00	0.00	
6,150.0	3.27	60.33	6,084.7	420.3	737.7	-716.1	2.00	-2.00	0.00	
6,200.0	2.27	60.33	6,134.6	421.5	739.7	-718.1	2.00	-2.00	0.00	
6,250.0	1.27	60.33	6,184.6	422.3	741.1	-719.4	2.00	-2.00	0.00	
6,300.0	0.27	60.33	6,234.6	422.6	741.7	-720.0	2.00	-2.00	0.00	
6,313.4	0.00	0.00	6,248.0	422.6	741.7	-720.0	2.00	-2.00	0.00	
<b>KOP: 1850' FSL &amp; 10' FEL (Sec 21)</b>										
6,350.0	3.66	270.31	6,284.6	422.6	740.5	-718.9	9.99	9.99	0.00	
6,400.0	8.65	270.31	6,334.2	422.6	735.2	-713.5	9.99	9.99	0.00	
6,450.0	13.65	270.31	6,383.3	422.7	725.5	-703.9	9.99	9.99	0.00	
6,500.0	18.65	270.31	6,431.3	422.8	711.6	-690.0	9.99	9.99	0.00	
6,550.0	23.64	270.31	6,477.9	422.9	693.6	-672.0	9.99	9.99	0.00	
6,600.0	28.64	270.31	6,522.8	423.0	671.6	-650.0	9.99	9.99	0.00	
6,639.0	32.54	270.31	6,556.4	423.1	651.7	-630.1	9.99	9.99	0.00	
<b>FTP: 1850' FSL &amp; 100' FEL (Sec 21)</b>										
6,650.0	33.64	270.31	6,565.6	423.1	645.7	-624.1	9.99	9.99	0.00	
6,700.0	38.64	270.31	6,605.9	423.3	616.2	-594.7	9.99	9.99	0.00	
6,750.0	43.63	270.31	6,643.6	423.4	583.3	-561.8	9.99	9.99	0.00	
6,800.0	48.63	270.31	6,678.2	423.6	547.3	-525.8	9.99	9.99	0.00	
6,850.0	53.63	270.31	6,709.6	423.8	508.4	-487.0	9.99	9.99	0.00	
6,900.0	58.62	270.31	6,737.5	424.1	466.9	-445.5	9.99	9.99	0.00	
6,950.0	63.62	270.31	6,761.6	424.3	423.1	-401.8	9.99	9.99	0.00	
7,000.0	68.62	270.31	6,781.8	424.5	377.4	-356.1	9.99	9.99	0.00	
7,050.0	73.62	270.31	6,798.0	424.8	330.1	-308.9	9.99	9.99	0.00	
7,100.0	78.61	270.31	6,810.0	425.1	281.6	-260.4	9.99	9.99	0.00	
7,150.0	83.61	270.31	6,817.7	425.3	232.2	-211.0	9.99	9.99	0.00	
7,200.0	88.61	270.31	6,821.1	425.6	182.4	-161.2	9.99	9.99	0.00	
7,213.7	89.97	270.31	6,821.3	425.7	168.7	-147.6	9.99	9.99	0.00	
<b>LP: 1850' FSL &amp; 583' FEL (Sec 21)</b>										
7,231.9	91.80	270.31	6,821.0	425.8	150.4	-129.3	9.99	9.99	0.00	
7,250.0	91.80	270.31	6,820.4	425.9	132.4	-111.3	0.00	0.00	0.00	
7,300.0	91.80	270.31	6,818.9	426.1	82.4	-61.4	0.00	0.00	0.00	
7,350.0	91.80	270.31	6,817.3	426.4	32.4	-11.4	0.00	0.00	0.00	
7,400.0	91.80	270.31	6,815.7	426.7	-17.6	38.5	0.00	0.00	0.00	
7,450.0	91.80	270.31	6,814.2	426.9	-67.5	88.4	0.00	0.00	0.00	

Planning Report

<b>Database:</b>	Hobbs	<b>Local Co-ordinate Reference:</b>	Site Wine Mixer 21/20 Fed Com #526H
<b>Company:</b>	Mewbourne Oil Company	<b>TVD Reference:</b>	WELL @ 3271.0usft (Original Well Elev)
<b>Project:</b>	Eddy County, New Mexico NAD 83	<b>MD Reference:</b>	WELL @ 3271.0usft (Original Well Elev)
<b>Site:</b>	Wine Mixer 21/20 Fed Com #526H	<b>North Reference:</b>	Grid
<b>Well:</b>	Sec 21, T20S, R27E	<b>Survey Calculation Method:</b>	Minimum Curvature
<b>Wellbore:</b>	BHL: 1850' FSL & 100' FWL (Sec 20)		
<b>Design:</b>	Design #1		

Planned Survey										
Measured Depth (usft)	Inclination (°)	Azimuth (°)	Vertical Depth (usft)	+N/-S (usft)	+E/-W (usft)	Vertical Section (usft)	Dogleg Rate (°/100usft)	Build Rate (°/100usft)	Turn Rate (°/100usft)	
7,500.0	91.80	270.31	6,812.6	427.2	-117.5	138.4	0.00	0.00	0.00	
7,550.0	91.80	270.31	6,811.0	427.5	-167.5	188.3	0.00	0.00	0.00	
7,600.0	91.80	270.31	6,809.5	427.7	-217.5	238.2	0.00	0.00	0.00	
7,650.0	91.80	270.31	6,807.9	428.0	-267.4	288.1	0.00	0.00	0.00	
7,700.0	91.80	270.31	6,806.3	428.3	-317.4	338.1	0.00	0.00	0.00	
7,750.0	91.80	270.31	6,804.7	428.5	-367.4	388.0	0.00	0.00	0.00	
7,800.0	91.80	270.31	6,803.2	428.8	-417.4	437.9	0.00	0.00	0.00	
7,850.0	91.80	270.31	6,801.6	429.1	-467.3	487.8	0.00	0.00	0.00	
7,900.0	91.80	270.31	6,800.0	429.3	-517.3	537.8	0.00	0.00	0.00	
7,950.0	91.80	270.31	6,798.5	429.6	-567.3	587.7	0.00	0.00	0.00	
8,000.0	91.80	270.31	6,796.9	429.9	-617.2	637.6	0.00	0.00	0.00	
8,050.0	91.80	270.31	6,795.3	430.1	-667.2	687.6	0.00	0.00	0.00	
8,100.0	91.80	270.31	6,793.8	430.4	-717.2	737.5	0.00	0.00	0.00	
8,150.0	91.80	270.31	6,792.2	430.7	-767.2	787.4	0.00	0.00	0.00	
8,200.0	91.80	270.31	6,790.6	430.9	-817.1	837.3	0.00	0.00	0.00	
8,250.0	91.80	270.31	6,789.1	431.2	-867.1	887.3	0.00	0.00	0.00	
8,300.0	91.80	270.31	6,787.5	431.5	-917.1	937.2	0.00	0.00	0.00	
8,350.0	91.80	270.31	6,785.9	431.7	-967.1	987.1	0.00	0.00	0.00	
8,400.0	91.80	270.31	6,784.4	432.0	-1,017.0	1,037.0	0.00	0.00	0.00	
8,450.0	91.80	270.31	6,782.8	432.3	-1,067.0	1,087.0	0.00	0.00	0.00	
8,500.0	91.80	270.31	6,781.2	432.5	-1,117.0	1,136.9	0.00	0.00	0.00	
8,550.0	91.80	270.31	6,779.6	432.8	-1,167.0	1,186.8	0.00	0.00	0.00	
8,600.0	91.80	270.31	6,778.1	433.1	-1,216.9	1,236.8	0.00	0.00	0.00	
8,650.0	91.80	270.31	6,776.5	433.3	-1,266.9	1,286.7	0.00	0.00	0.00	
8,700.0	91.80	270.31	6,774.9	433.6	-1,316.9	1,336.6	0.00	0.00	0.00	
8,750.0	91.80	270.31	6,773.4	433.9	-1,366.9	1,386.5	0.00	0.00	0.00	
8,800.0	91.80	270.31	6,771.8	434.1	-1,416.8	1,436.5	0.00	0.00	0.00	
8,850.0	91.80	270.31	6,770.2	434.4	-1,466.8	1,486.4	0.00	0.00	0.00	
8,900.0	91.80	270.31	6,768.7	434.7	-1,516.8	1,536.3	0.00	0.00	0.00	
8,950.0	91.80	270.31	6,767.1	434.9	-1,566.8	1,586.2	0.00	0.00	0.00	
9,000.0	91.80	270.31	6,765.5	435.2	-1,616.7	1,636.2	0.00	0.00	0.00	
9,050.0	91.80	270.31	6,764.0	435.5	-1,666.7	1,686.1	0.00	0.00	0.00	
9,100.0	91.80	270.31	6,762.4	435.7	-1,716.7	1,736.0	0.00	0.00	0.00	
9,150.0	91.80	270.31	6,760.8	436.0	-1,766.7	1,786.0	0.00	0.00	0.00	
9,200.0	91.80	270.31	6,759.3	436.3	-1,816.6	1,835.9	0.00	0.00	0.00	
9,250.0	91.80	270.31	6,757.7	436.5	-1,866.6	1,885.8	0.00	0.00	0.00	
9,300.0	91.80	270.31	6,756.1	436.8	-1,916.6	1,935.7	0.00	0.00	0.00	
9,350.0	91.80	270.31	6,754.5	437.1	-1,966.6	1,985.7	0.00	0.00	0.00	
9,400.0	91.80	270.31	6,753.0	437.3	-2,016.5	2,035.6	0.00	0.00	0.00	
9,450.0	91.80	270.31	6,751.4	437.6	-2,066.5	2,085.5	0.00	0.00	0.00	
9,500.0	91.80	270.31	6,749.8	437.9	-2,116.5	2,135.5	0.00	0.00	0.00	
9,550.0	91.80	270.31	6,748.3	438.1	-2,166.5	2,185.4	0.00	0.00	0.00	
9,600.0	91.80	270.31	6,746.7	438.4	-2,216.4	2,235.3	0.00	0.00	0.00	
9,650.0	91.80	270.31	6,745.1	438.7	-2,266.4	2,285.2	0.00	0.00	0.00	
9,700.0	91.80	270.31	6,743.6	438.9	-2,316.4	2,335.2	0.00	0.00	0.00	
9,750.0	91.80	270.31	6,742.0	439.2	-2,366.4	2,385.1	0.00	0.00	0.00	
9,800.0	91.80	270.31	6,740.4	439.5	-2,416.3	2,435.0	0.00	0.00	0.00	
9,850.0	91.80	270.31	6,738.9	439.7	-2,466.3	2,484.9	0.00	0.00	0.00	
9,900.0	91.80	270.31	6,737.3	440.0	-2,516.3	2,534.9	0.00	0.00	0.00	
9,950.0	91.80	270.31	6,735.7	440.3	-2,566.3	2,584.8	0.00	0.00	0.00	
10,000.0	91.80	270.31	6,734.2	440.5	-2,616.2	2,634.7	0.00	0.00	0.00	
10,050.0	91.80	270.31	6,732.6	440.8	-2,666.2	2,684.7	0.00	0.00	0.00	
10,100.0	91.80	270.31	6,731.0	441.1	-2,716.2	2,734.6	0.00	0.00	0.00	
10,150.0	91.80	270.31	6,729.5	441.3	-2,766.2	2,784.5	0.00	0.00	0.00	



Planning Report

<b>Database:</b>	Hobbs	<b>Local Co-ordinate Reference:</b>	Site Wine Mixer 21/20 Fed Com #526H
<b>Company:</b>	Mewbourne Oil Company	<b>TVD Reference:</b>	WELL @ 3271.0usft (Original Well Elev)
<b>Project:</b>	Eddy County, New Mexico NAD 83	<b>MD Reference:</b>	WELL @ 3271.0usft (Original Well Elev)
<b>Site:</b>	Wine Mixer 21/20 Fed Com #526H	<b>North Reference:</b>	Grid
<b>Well:</b>	Sec 21, T20S, R27E	<b>Survey Calculation Method:</b>	Minimum Curvature
<b>Wellbore:</b>	BHL: 1850' FSL & 100' FWL (Sec 20)		
<b>Design:</b>	Design #1		

Planned Survey									
Measured Depth (usft)	Inclination (°)	Azimuth (°)	Vertical Depth (usft)	+N/-S (usft)	+E/-W (usft)	Vertical Section (usft)	Dogleg Rate (°/100usft)	Build Rate (°/100usft)	Turn Rate (°/100usft)
10,200.0	91.80	270.31	6,727.9	441.6	-2,816.1	2,834.4	0.00	0.00	0.00
10,250.0	91.80	270.31	6,726.3	441.9	-2,866.1	2,884.4	0.00	0.00	0.00
10,300.0	91.80	270.31	6,724.7	442.1	-2,916.1	2,934.3	0.00	0.00	0.00
10,350.0	91.80	270.31	6,723.2	442.4	-2,966.1	2,984.2	0.00	0.00	0.00
10,400.0	91.80	270.31	6,721.6	442.7	-3,016.0	3,034.1	0.00	0.00	0.00
10,450.0	91.80	270.31	6,720.0	442.9	-3,066.0	3,084.1	0.00	0.00	0.00
10,500.0	91.80	270.31	6,718.5	443.2	-3,116.0	3,134.0	0.00	0.00	0.00
10,550.0	91.80	270.31	6,716.9	443.5	-3,166.0	3,183.9	0.00	0.00	0.00
10,600.0	91.80	270.31	6,715.3	443.7	-3,215.9	3,233.9	0.00	0.00	0.00
10,650.0	91.80	270.31	6,713.8	444.0	-3,265.9	3,283.8	0.00	0.00	0.00
10,700.0	91.80	270.31	6,712.2	444.3	-3,315.9	3,333.7	0.00	0.00	0.00
10,750.0	91.80	270.31	6,710.6	444.5	-3,365.9	3,383.6	0.00	0.00	0.00
10,800.0	91.80	270.31	6,709.1	444.8	-3,415.8	3,433.6	0.00	0.00	0.00
10,850.0	91.80	270.31	6,707.5	445.1	-3,465.8	3,483.5	0.00	0.00	0.00
10,900.0	91.80	270.31	6,705.9	445.3	-3,515.8	3,533.4	0.00	0.00	0.00
10,950.0	91.80	270.31	6,704.4	445.6	-3,565.8	3,583.3	0.00	0.00	0.00
11,000.0	91.80	270.31	6,702.8	445.9	-3,615.7	3,633.3	0.00	0.00	0.00
11,050.0	91.80	270.31	6,701.2	446.1	-3,665.7	3,683.2	0.00	0.00	0.00
11,100.0	91.80	270.31	6,699.6	446.4	-3,715.7	3,733.1	0.00	0.00	0.00
11,150.0	91.80	270.31	6,698.1	446.7	-3,765.7	3,783.1	0.00	0.00	0.00
11,200.0	91.80	270.31	6,696.5	446.9	-3,815.6	3,833.0	0.00	0.00	0.00
11,250.0	91.80	270.31	6,694.9	447.2	-3,865.6	3,882.9	0.00	0.00	0.00
11,300.0	91.80	270.31	6,693.4	447.5	-3,915.6	3,932.8	0.00	0.00	0.00
11,350.0	91.80	270.31	6,691.8	447.7	-3,965.6	3,982.8	0.00	0.00	0.00
11,400.0	91.80	270.31	6,690.2	448.0	-4,015.5	4,032.7	0.00	0.00	0.00
11,450.0	91.80	270.31	6,688.7	448.3	-4,065.5	4,082.6	0.00	0.00	0.00
11,500.0	91.80	270.31	6,687.1	448.5	-4,115.5	4,132.5	0.00	0.00	0.00
11,550.0	91.80	270.31	6,685.5	448.8	-4,165.5	4,182.5	0.00	0.00	0.00
11,600.0	91.80	270.31	6,684.0	449.1	-4,215.4	4,232.4	0.00	0.00	0.00
11,650.0	91.80	270.31	6,682.4	449.3	-4,265.4	4,282.3	0.00	0.00	0.00
11,700.0	91.80	270.31	6,680.8	449.6	-4,315.4	4,332.3	0.00	0.00	0.00
11,750.0	91.80	270.31	6,679.3	449.9	-4,365.4	4,382.2	0.00	0.00	0.00
11,800.0	91.80	270.31	6,677.7	450.1	-4,415.3	4,432.1	0.00	0.00	0.00
11,850.0	91.80	270.31	6,676.1	450.4	-4,465.3	4,482.0	0.00	0.00	0.00
11,900.0	91.80	270.31	6,674.5	450.7	-4,515.3	4,532.0	0.00	0.00	0.00
11,950.0	91.80	270.31	6,673.0	450.9	-4,565.2	4,581.9	0.00	0.00	0.00
12,000.0	91.80	270.31	6,671.4	451.2	-4,615.2	4,631.8	0.00	0.00	0.00
12,050.0	91.80	270.31	6,669.8	451.5	-4,665.2	4,681.7	0.00	0.00	0.00
12,100.0	91.80	270.31	6,668.3	451.7	-4,715.2	4,731.7	0.00	0.00	0.00
12,150.0	91.80	270.31	6,666.7	452.0	-4,765.1	4,781.6	0.00	0.00	0.00
12,200.0	91.80	270.31	6,665.1	452.3	-4,815.1	4,831.5	0.00	0.00	0.00
12,250.0	91.80	270.31	6,663.6	452.5	-4,865.1	4,881.5	0.00	0.00	0.00
12,300.0	91.80	270.31	6,662.0	452.8	-4,915.1	4,931.4	0.00	0.00	0.00
12,350.0	91.80	270.31	6,660.4	453.1	-4,965.0	4,981.3	0.00	0.00	0.00
12,400.0	91.80	270.31	6,658.9	453.3	-5,015.0	5,031.2	0.00	0.00	0.00
12,450.0	91.80	270.31	6,657.3	453.6	-5,065.0	5,081.2	0.00	0.00	0.00
12,500.0	91.80	270.31	6,655.7	453.9	-5,115.0	5,131.1	0.00	0.00	0.00
12,550.0	91.80	270.31	6,654.2	454.1	-5,164.9	5,181.0	0.00	0.00	0.00
12,600.0	91.80	270.31	6,652.6	454.4	-5,214.9	5,230.9	0.00	0.00	0.00
12,650.0	91.80	270.31	6,651.0	454.7	-5,264.9	5,280.9	0.00	0.00	0.00
12,700.0	91.80	270.31	6,649.4	454.9	-5,314.9	5,330.8	0.00	0.00	0.00
12,750.0	91.80	270.31	6,647.9	455.2	-5,364.8	5,380.7	0.00	0.00	0.00
12,800.0	91.80	270.31	6,646.3	455.5	-5,414.8	5,430.7	0.00	0.00	0.00
12,850.0	91.80	270.31	6,644.7	455.7	-5,464.8	5,480.6	0.00	0.00	0.00

Planning Report

<b>Database:</b>	Hobbs	<b>Local Co-ordinate Reference:</b>	Site Wine Mixer 21/20 Fed Com #526H
<b>Company:</b>	Mewbourne Oil Company	<b>TVD Reference:</b>	WELL @ 3271.0usft (Original Well Elev)
<b>Project:</b>	Eddy County, New Mexico NAD 83	<b>MD Reference:</b>	WELL @ 3271.0usft (Original Well Elev)
<b>Site:</b>	Wine Mixer 21/20 Fed Com #526H	<b>North Reference:</b>	Grid
<b>Well:</b>	Sec 21, T20S, R27E	<b>Survey Calculation Method:</b>	Minimum Curvature
<b>Wellbore:</b>	BHL: 1850' FSL & 100' FWL (Sec 20)		
<b>Design:</b>	Design #1		

Planned Survey									
Measured Depth (usft)	Inclination (°)	Azimuth (°)	Vertical Depth (usft)	+N/-S (usft)	+E/-W (usft)	Vertical Section (usft)	Dogleg Rate (°/100usft)	Build Rate (°/100usft)	Turn Rate (°/100usft)
12,900.0	91.80	270.31	6,643.2	456.0	-5,514.8	5,530.5	0.00	0.00	0.00
12,950.0	91.80	270.31	6,641.6	456.3	-5,564.7	5,580.4	0.00	0.00	0.00
13,000.0	91.80	270.31	6,640.0	456.5	-5,614.7	5,630.4	0.00	0.00	0.00
13,050.0	91.80	270.31	6,638.5	456.8	-5,664.7	5,680.3	0.00	0.00	0.00
13,100.0	91.80	270.31	6,636.9	457.1	-5,714.7	5,730.2	0.00	0.00	0.00
13,150.0	91.80	270.31	6,635.3	457.3	-5,764.6	5,780.2	0.00	0.00	0.00
13,200.0	91.80	270.31	6,633.8	457.6	-5,814.6	5,830.1	0.00	0.00	0.00
13,250.0	91.80	270.31	6,632.2	457.9	-5,864.6	5,880.0	0.00	0.00	0.00
13,259.0	91.80	270.31	6,631.9	457.9	-5,873.6	5,889.0	0.00	0.00	0.00
<b>PPP2: 1823' FSL &amp; 0' FEL (Sec 20)</b>									
13,300.0	91.80	270.31	6,630.6	458.1	-5,914.6	5,929.9	0.00	0.00	0.00
13,350.0	91.80	270.31	6,629.1	458.4	-5,964.5	5,979.9	0.00	0.00	0.00
13,400.0	91.80	270.31	6,627.5	458.7	-6,014.5	6,029.8	0.00	0.00	0.00
13,450.0	91.80	270.31	6,625.9	458.9	-6,064.5	6,079.7	0.00	0.00	0.00
13,500.0	91.80	270.31	6,624.4	459.2	-6,114.5	6,129.6	0.00	0.00	0.00
13,550.0	91.80	270.31	6,622.8	459.5	-6,164.4	6,179.6	0.00	0.00	0.00
13,600.0	91.80	270.31	6,621.2	459.7	-6,214.4	6,229.5	0.00	0.00	0.00
13,650.0	91.80	270.31	6,619.6	460.0	-6,264.4	6,279.4	0.00	0.00	0.00
13,700.0	91.80	270.31	6,618.1	460.3	-6,314.4	6,329.4	0.00	0.00	0.00
13,750.0	91.80	270.31	6,616.5	460.5	-6,364.3	6,379.3	0.00	0.00	0.00
13,800.0	91.80	270.31	6,614.9	460.8	-6,414.3	6,429.2	0.00	0.00	0.00
13,850.0	91.80	270.31	6,613.4	461.1	-6,464.3	6,479.1	0.00	0.00	0.00
13,900.0	91.80	270.31	6,611.8	461.4	-6,514.3	6,529.1	0.00	0.00	0.00
13,950.0	91.80	270.31	6,610.2	461.6	-6,564.2	6,579.0	0.00	0.00	0.00
14,000.0	91.80	270.31	6,608.7	461.9	-6,614.2	6,628.9	0.00	0.00	0.00
14,050.0	91.80	270.31	6,607.1	462.2	-6,664.2	6,678.8	0.00	0.00	0.00
14,100.0	91.80	270.31	6,605.5	462.4	-6,714.2	6,728.8	0.00	0.00	0.00
14,150.0	91.80	270.31	6,604.0	462.7	-6,764.1	6,778.7	0.00	0.00	0.00
14,200.0	91.80	270.31	6,602.4	463.0	-6,814.1	6,828.6	0.00	0.00	0.00
14,250.0	91.80	270.31	6,600.8	463.2	-6,864.1	6,878.6	0.00	0.00	0.00
14,300.0	91.80	270.31	6,599.3	463.5	-6,914.1	6,928.5	0.00	0.00	0.00
14,350.0	91.80	270.31	6,597.7	463.8	-6,964.0	6,978.4	0.00	0.00	0.00
14,400.0	91.80	270.31	6,596.1	464.0	-7,014.0	7,028.3	0.00	0.00	0.00
14,450.0	91.80	270.31	6,594.5	464.3	-7,064.0	7,078.3	0.00	0.00	0.00
14,500.0	91.80	270.31	6,593.0	464.6	-7,114.0	7,128.2	0.00	0.00	0.00
14,550.0	91.80	270.31	6,591.4	464.8	-7,163.9	7,178.1	0.00	0.00	0.00
14,577.1	91.80	270.31	6,590.6	465.0	-7,191.0	7,205.2	0.00	0.00	0.00
<b>PPP3: 1837' FSL &amp; 2635' FWL (Sec 20)</b>									
14,600.0	91.80	270.31	6,589.8	465.1	-7,213.9	7,228.0	0.00	0.00	0.00
14,650.0	91.80	270.31	6,588.3	465.4	-7,263.9	7,278.0	0.00	0.00	0.00
14,700.0	91.80	270.31	6,586.7	465.6	-7,313.9	7,327.9	0.00	0.00	0.00
14,750.0	91.80	270.31	6,585.1	465.9	-7,363.8	7,377.8	0.00	0.00	0.00
14,800.0	91.80	270.31	6,583.6	466.2	-7,413.8	7,427.8	0.00	0.00	0.00
14,850.0	91.80	270.31	6,582.0	466.4	-7,463.8	7,477.7	0.00	0.00	0.00
14,900.0	91.80	270.31	6,580.4	466.7	-7,513.8	7,527.6	0.00	0.00	0.00
14,950.0	91.80	270.31	6,578.9	467.0	-7,563.7	7,577.5	0.00	0.00	0.00
15,000.0	91.80	270.31	6,577.3	467.2	-7,613.7	7,627.5	0.00	0.00	0.00
15,050.0	91.80	270.31	6,575.7	467.5	-7,663.7	7,677.4	0.00	0.00	0.00
15,100.0	91.80	270.31	6,574.2	467.8	-7,713.7	7,727.3	0.00	0.00	0.00
15,150.0	91.80	270.31	6,572.6	468.0	-7,763.6	7,777.2	0.00	0.00	0.00
15,200.0	91.80	270.31	6,571.0	468.3	-7,813.6	7,827.2	0.00	0.00	0.00
15,250.0	91.80	270.31	6,569.4	468.6	-7,863.6	7,877.1	0.00	0.00	0.00
15,300.0	91.80	270.31	6,567.9	468.8	-7,913.6	7,927.0	0.00	0.00	0.00
15,350.0	91.80	270.31	6,566.3	469.1	-7,963.5	7,977.0	0.00	0.00	0.00

Planning Report

<b>Database:</b>	Hobbs	<b>Local Co-ordinate Reference:</b>	Site Wine Mixer 21/20 Fed Com #526H
<b>Company:</b>	Mewbourne Oil Company	<b>TVD Reference:</b>	WELL @ 3271.0usft (Original Well Elev)
<b>Project:</b>	Eddy County, New Mexico NAD 83	<b>MD Reference:</b>	WELL @ 3271.0usft (Original Well Elev)
<b>Site:</b>	Wine Mixer 21/20 Fed Com #526H	<b>North Reference:</b>	Grid
<b>Well:</b>	Sec 21, T20S, R27E	<b>Survey Calculation Method:</b>	Minimum Curvature
<b>Wellbore:</b>	BHL: 1850' FSL & 100' FWL (Sec 20)		
<b>Design:</b>	Design #1		

Planned Survey										
Measured Depth (usft)	Inclination (°)	Azimuth (°)	Vertical Depth (usft)	+N/-S (usft)	+E/-W (usft)	Vertical Section (usft)	Dogleg Rate (°/100usft)	Build Rate (°/100usft)	Turn Rate (°/100usft)	
15,400.0	91.80	270.31	6,564.7	469.4	-8,013.5	8,026.9	0.00	0.00	0.00	
15,450.0	91.80	270.31	6,563.2	469.6	-8,063.5	8,076.8	0.00	0.00	0.00	
15,500.0	91.80	270.31	6,561.6	469.9	-8,113.5	8,126.7	0.00	0.00	0.00	
15,550.0	91.80	270.31	6,560.0	470.2	-8,163.4	8,176.7	0.00	0.00	0.00	
15,600.0	91.80	270.31	6,558.5	470.4	-8,213.4	8,226.6	0.00	0.00	0.00	
15,650.0	91.80	270.31	6,556.9	470.7	-8,263.4	8,276.5	0.00	0.00	0.00	
15,700.0	91.80	270.31	6,555.3	471.0	-8,313.3	8,326.4	0.00	0.00	0.00	
15,750.0	91.80	270.31	6,553.8	471.2	-8,363.3	8,376.4	0.00	0.00	0.00	
15,800.0	91.80	270.31	6,552.2	471.5	-8,413.3	8,426.3	0.00	0.00	0.00	
15,850.0	91.80	270.31	6,550.6	471.8	-8,463.3	8,476.2	0.00	0.00	0.00	
15,900.0	91.80	270.31	6,549.1	472.0	-8,513.2	8,526.2	0.00	0.00	0.00	
15,950.0	91.80	270.31	6,547.5	472.3	-8,563.2	8,576.1	0.00	0.00	0.00	
16,000.0	91.80	270.31	6,545.9	472.6	-8,613.2	8,626.0	0.00	0.00	0.00	
16,050.0	91.80	270.31	6,544.3	472.8	-8,663.2	8,675.9	0.00	0.00	0.00	
16,100.0	91.80	270.31	6,542.8	473.1	-8,713.1	8,725.9	0.00	0.00	0.00	
16,150.0	91.80	270.31	6,541.2	473.4	-8,763.1	8,775.8	0.00	0.00	0.00	
16,200.0	91.80	270.31	6,539.6	473.6	-8,813.1	8,825.7	0.00	0.00	0.00	
16,250.0	91.80	270.31	6,538.1	473.9	-8,863.1	8,875.7	0.00	0.00	0.00	
16,300.0	91.80	270.31	6,536.5	474.2	-8,913.0	8,925.6	0.00	0.00	0.00	
16,350.0	91.80	270.31	6,534.9	474.4	-8,963.0	8,975.5	0.00	0.00	0.00	
16,400.0	91.80	270.31	6,533.4	474.7	-9,013.0	9,025.4	0.00	0.00	0.00	
16,450.0	91.80	270.31	6,531.8	475.0	-9,063.0	9,075.4	0.00	0.00	0.00	
16,500.0	91.80	270.31	6,530.2	475.2	-9,112.9	9,125.3	0.00	0.00	0.00	
16,550.0	91.80	270.31	6,528.7	475.5	-9,162.9	9,175.2	0.00	0.00	0.00	
16,600.0	91.80	270.31	6,527.1	475.8	-9,212.9	9,225.1	0.00	0.00	0.00	
16,650.0	91.80	270.31	6,525.5	476.0	-9,262.9	9,275.1	0.00	0.00	0.00	
16,700.0	91.80	270.31	6,524.0	476.3	-9,312.8	9,325.0	0.00	0.00	0.00	
16,750.0	91.80	270.31	6,522.4	476.6	-9,362.8	9,374.9	0.00	0.00	0.00	
16,800.0	91.80	270.31	6,520.8	476.8	-9,412.8	9,424.9	0.00	0.00	0.00	
16,850.0	91.80	270.31	6,519.2	477.1	-9,462.8	9,474.8	0.00	0.00	0.00	
16,900.0	91.80	270.31	6,517.7	477.4	-9,512.7	9,524.7	0.00	0.00	0.00	
16,950.0	91.80	270.31	6,516.1	477.6	-9,562.7	9,574.6	0.00	0.00	0.00	
17,000.0	91.80	270.31	6,514.5	477.9	-9,612.7	9,624.6	0.00	0.00	0.00	
17,050.0	91.80	270.31	6,513.0	478.2	-9,662.7	9,674.5	0.00	0.00	0.00	
17,100.0	91.80	270.31	6,511.4	478.4	-9,712.6	9,724.4	0.00	0.00	0.00	
17,113.0	91.80	270.31	6,511.0	478.5	-9,725.6	9,737.4	0.00	0.00	0.00	
<b>BHL: 1850' FSL &amp; 100' FWL (Sec 20)</b>										

Planning Report

<b>Database:</b>	Hobbs	<b>Local Co-ordinate Reference:</b>	Site Wine Mixer 21/20 Fed Com #526H
<b>Company:</b>	Mewbourne Oil Company	<b>TVD Reference:</b>	WELL @ 3271.0usft (Original Well Elev)
<b>Project:</b>	Eddy County, New Mexico NAD 83	<b>MD Reference:</b>	WELL @ 3271.0usft (Original Well Elev)
<b>Site:</b>	Wine Mixer 21/20 Fed Com #526H	<b>North Reference:</b>	Grid
<b>Well:</b>	Sec 21, T20S, R27E	<b>Survey Calculation Method:</b>	Minimum Curvature
<b>Wellbore:</b>	BHL: 1850' FSL & 100' FWL (Sec 20)		
<b>Design:</b>	Design #1		

Design Targets										
Target Name - hit/miss target - Shape	Dip Angle (°)	Dip Dir. (°)	TVD (usft)	+N/-S (usft)	+E/-W (usft)	Northing (usft)	Easting (usft)	Latitude	Longitude	
SHL: 1420' FSL & 750' F - plan hits target center - Point	0.00	0.00	0.0	0.0	0.0	565,897.00	557,761.20	32.5556960	-104.2800276	
KOP: 1850' FSL & 10' FI - plan hits target center - Point	0.00	0.00	6,248.0	422.6	741.7	566,319.60	558,502.90	32.5568566	-104.2776196	
BHL: 1850' FSL & 100' F - plan hits target center - Point	0.00	0.00	6,511.0	478.5	-9,725.6	566,375.50	548,035.60	32.5570207	-104.3115933	
FTP: 1850' FSL & 100' F - plan hits target center - Point	0.00	0.00	6,556.4	423.1	651.7	566,320.10	558,412.90	32.5568581	-104.2779117	
PPP3: 1837' FSL & 263' FE - plan hits target center - Point	0.00	0.00	6,590.6	465.0	-7,191.0	566,361.97	550,570.20	32.5569818	-104.3033667	
PPP2: 1823' FSL & 0' FE - plan hits target center - Point	0.00	0.00	6,631.9	457.9	-5,873.6	566,354.93	551,887.60	32.5569614	-104.2990908	
LP: 1850' FSL & 583' FE - plan hits target center - Point	0.00	0.00	6,821.3	425.7	168.7	566,322.70	557,929.90	32.5568659	-104.2794794	

## PECOS DISTRICT DRILLING CONDITIONS OF APPROVAL

<b>OPERATOR'S NAME:</b>	MEWBOURNE OIL COMPANY
<b>WELL NAME &amp; NO.:</b>	WINE MIXER 21/20 FED COM 526H
<b>APD ID:</b>	10400099743
<b>LOCATION:</b>	Section 21, T.20 S., R.27 E. NMP.
<b>COUNTY:</b>	Eddy County, New Mexico ▼

COA

H <sub>2</sub> S	<input type="radio"/> No	<input checked="" type="radio"/> Yes		
<b>Potash / WIPP</b>	<input checked="" type="radio"/> None	<input type="radio"/> Secretary	<input type="radio"/> R-111-Q	<input type="checkbox"/> Open Annulus <input type="checkbox"/> WIPP
<b>Cave / Karst</b>	<input type="radio"/> Low	<input checked="" type="radio"/> Medium	<input type="radio"/> High	<input type="radio"/> Critical
<b>Wellhead</b>	<input type="radio"/> Conventional	<input checked="" type="radio"/> Multibowl	<input type="radio"/> Both	<input type="radio"/> Diverter
<b>Cementing</b>	<input type="checkbox"/> Primary Squeeze	<input type="checkbox"/> Cont. Squeeze	<input type="checkbox"/> EchoMeter	<input type="checkbox"/> DV Tool
<b>Special Req</b>	<input type="checkbox"/> Capitan Reef	<input type="checkbox"/> Water Disposal	<input checked="" type="checkbox"/> COM	<input type="checkbox"/> Unit
<b>Waste Prev.</b>	<input type="radio"/> Self-Certification	<input checked="" type="radio"/> Waste Min. Plan	<input type="radio"/> APD Submitted prior to 06/10/2024	
<b>Additional Language</b>	<input checked="" type="checkbox"/> Flex Hose <input type="checkbox"/> Four-String	<input type="checkbox"/> Casing Clearance <input checked="" type="checkbox"/> Offline Cementing	<input type="checkbox"/> Pilot Hole <input type="checkbox"/> Fluid-Filled	<input checked="" type="checkbox"/> Break Testing

### A. HYDROGEN SULFIDE

A Hydrogen Sulfide (H<sub>2</sub>S) Drilling Plan shall be activated **AT SPUD**. As a result, the Hydrogen Sulfide area must meet **43 CFR 3176** requirements, which includes equipment and personnel/public protection items. If Hydrogen Sulfide is encountered, please provide measured values and formations to the BLM.

### B. CASING DESIGN

#### Primary Casing Program

1. The **13-3/8** inch surface casing shall be set at approximately **415 ft.** and cemented to the surface. Rustler is at surface; BLM accepts Tansill/Yates as competent bed for surface casing set point for this well. Limited to no Salado salt formation is expected.
  - a. If cement does not circulate to the surface, the appropriate BLM office shall be notified and a temperature survey utilizing an electronic-type temperature survey with surface log readout will be used or a cement bond log shall be run to verify the top of the cement. Temperature survey will be run a minimum of six hours after pumping cement and ideally between 8-10 hours after completing the cement job.
  - b. Wait on cement (WOC) time for a primary cement job will be a minimum of **8**

**hours** or **500 psi compressive strength**, whichever is greater. (This is to include the lead cement)

- c. Wait on cement (WOC) time for a remedial job will be a minimum of 4 hours after bringing cement to surface or 500 psi compressive strength, whichever is greater.
- d. If cement falls back, remedial cementing will be done prior to drilling out that string.

**Note:** The intermediate casing set depth was adjusted based on the BLM geologist's recommendation.

2. The **9-5/8** inch intermediate casing shall be set in a competent bed at approximately **2,150 ft.** The minimum required fill of cement behind the **9-5/8** inch intermediate casing is:
  - Cement to surface. If cement does not circulate see B.1.a, c-d above. Wait on cement (WOC) time for a primary cement job is to include the lead cement slurry due to **Cave/Karst**.
  - ❖ In Medium Cave/Karst Areas if cement does not circulate to surface on the first two casing strings, the cement on the 3<sup>rd</sup> casing string must come to surface.
3. Operator has proposed to set **7 in.** production casing at approximately **6,313 ft.** (6,248 ft. TVD). The minimum required fill of cement behind the **7 in.** production casing is:
  - Cement should tie-back **at least 200 feet** into previous casing string. Operator shall provide method of verification. Wait on cement (WOC) time for a primary cement job is to include the lead cement slurry due to **Cave/Karst**.
4. The minimum required fill of cement behind the **4-1/2 in.** production liner is:
  - Cement should tie-back **at least 100 feet** into previous casing string. Operator shall provide method of verification.

### **Alternate Casing Program**

1. The **13-3/8** inch surface casing shall be set at approximately **415 ft.** and cemented to the surface. Rustler is at surface; BLM accepts Tansill/Yates as competent bed for surface casing set point for this well. Limited to no Salado salt formation is expected.
  - a. If cement does not circulate to the surface, the appropriate BLM office shall be notified and a temperature survey utilizing an electronic-type temperature survey with surface log readout will be used or a cement bond log shall be run to verify the top of the cement. Temperature survey will be run a minimum of six hours after pumping cement and ideally between 8-10 hours after completing the cement job.
  - b. Wait on cement (WOC) time for a primary cement job will be a minimum of **8 hours** or **500 psi compressive strength**, whichever is greater. (This is to include the lead cement)



- c. Wait on cement (WOC) time for a remedial job will be a minimum of 4 hours after bringing cement to surface or 500 psi compressive strength, whichever is greater.
- d. If cement falls back, remedial cementing will be done prior to drilling out that string.

**Note:** The intermediate casing set depth was adjusted based on the BLM geologist's recommendation.

2. The **9-5/8** inch intermediate casing shall be set in a competent bed at approximately **2,150 ft.** The minimum required fill of cement behind the **9-5/8** inch intermediate casing is:
  - Cement to surface. If cement does not circulate see B.1.a, c-d above. Wait on cement (WOC) time for a primary cement job is to include the lead cement slurry due to **Cave/Karst.**
  - ❖ In Medium Cave/Karst Areas if cement does not circulate to surface on the first two casing strings, the cement on the 3<sup>rd</sup> casing string must come to surface.
3. Operator has proposed to set **7 in.** production casing at approximately **7,213 ft.** (6,821 ft. TVD). The minimum required fill of cement behind the **7 in.** production casing is:
  - Cement should tie-back **at least 200 feet** into previous casing string. Operator shall provide method of verification. Wait on cement (WOC) time for a primary cement job is to include the lead cement slurry due to **Cave/Karst.**
4. The minimum required fill of cement behind the **4-1/2 in.** production liner is:
  - Cement should tie-back **at least 100 feet** into previous casing string. Operator shall provide method of verification.

### Offline Cementing

Operator has been (**Approved**) to pump the proposed cement program offline in the **Surface and intermediate(s) intervals.** Offline cementing should commence within 24 hours of landing the casing for the interval. Notify the BLM 4hrs prior to the commencement of any offline cementing procedure at **Eddy County: 575-361-2822.**

### C. PRESSURE CONTROL

1. Variance approved to use **flex line** from BOP to choke manifold. Manufacturer's specification to be readily available. No external damage to flex line. Flex line to be installed as straight as possible (no hard bends).
2. Operator has proposed a multi-bowl wellhead assembly. This assembly will only be tested when installed on the surface casing. Minimum working pressure of the blowout preventer (BOP) and related equipment (BOPE) required for drilling below the surface



casing shoe shall be **5000 (5M)** psi. Before drilling the surface casing shoe out, the BOP/BOPE shall be pressure-tested in accordance with **title 43 CFR 3172**.

- a. Wellhead shall be installed by manufacturer's representatives, submit documentation with subsequent sundry.
- b. If the welding is performed by a third party, the manufacturer's representative shall monitor the temperature to verify that it does not exceed the maximum temperature of the seal.
- c. Manufacturer representative shall install the test plug for the initial BOP test.
- d. If the cement does not circulate and one-inch operations would have been possible with a standard wellhead, the well head shall be cut off, cementing operations performed and another wellhead installed.
- e. Whenever any seal subject to test pressure is broken, all the tests in the **title 43 CFR 3172.6(b)(9)** must be followed.

#### **BOPE Break Testing Variance**

- BOPE Break Testing is ONLY permitted for intervals utilizing a 5M BOPE or less. (**Annular preventer must be tested to a minimum of 70% of BOPE working pressure and shall be higher than the MASP.**)
- BOPE Break Testing is NOT permitted to drilling the production hole section.
- Variance only pertains to the intermediate hole-sections and no deeper than the Bone Springs formation.
- While in transfer between wells, the BOPE shall be secured by the hydraulic carrier or cradle.
- Any well control event while drilling require notification to the BLM Petroleum Engineer (**575-706-2779**) prior to the commencement of any BOPE Break Testing operations.
- A full BOPE test is required prior to drilling the first deep intermediate hole section. If any subsequent hole interval is deeper than the first, a full BOPE test will be required. (200' TVD tolerance between intermediate shoes is allowable).
- The BLM is to be contacted (**575-361-2822 Eddy County**) 4 hours prior to BOPE tests.
- As a minimum, a full BOPE test shall be performed at 21-day intervals.
- In the event any repairs or replacement of the BOPE is required, the BOPE shall test as per **43 CFR 3172**.
- If in the event break testing is not utilized, then a full BOPE test would be conducted.

#### **D. SPECIAL REQUIREMENT (S)**

##### **Communitization Agreement**

- The operator will submit a Communitization Agreement to the Santa Fe Office, 301 Dinosaur Trail Santa Fe, New Mexico 87508, at least 90 days before the anticipated date of first production from a well subject to a spacing order issued by the New Mexico Oil Conservation Division. The Communitization Agreement will include the

signatures of all working interest owners in all Federal and Indian leases subject to the Communitization Agreement (i.e., operating rights owners and lessees of record), or certification that the operator has obtained the written signatures of all such owners and will make those signatures available to the BLM immediately upon request.

- If the operator does not comply with this condition of approval, the BLM may take enforcement actions that include, but are not limited to, those specified in 43 CFR 3163.1.
- In addition, the well sign shall include the surface and bottom hole lease numbers. When the Communitization Agreement number is known, it shall also be on the sign.

## GENERAL REQUIREMENTS

The BLM is to be notified in advance for a representative to witness:

- a. Spudding well (minimum of 24 hours)
- b. Setting and/or Cementing of all casing strings (minimum of 4 hours)
- c. BOPE tests (minimum of 4 hours)

### Contact Eddy County Petroleum Engineering Inspection Staff:

Email or call the Carlsbad Field Office, 620 East Greene St., Carlsbad, NM 88220; [BLM\\_NM\\_CFO\\_DrillingNotifications@BLM.GOV](mailto:BLM_NM_CFO_DrillingNotifications@BLM.GOV); (575) 361-2822.

1. Unless the production casing has been run and cemented or the well has been properly plugged, the drilling rig shall not be removed from over the hole without prior approval.
  - a. In the event the operator has proposed to drill multiple wells utilizing a skid/walking rig. Operator shall secure the wellbore on the current well, after installing and testing the wellhead, by installing a blind flange of like pressure rating to the wellhead and a pressure gauge that can be monitored while drilling is performed on the other well(s).
  - b. When the operator proposes to set surface casing with Spudder Rig
    - i. Notify the BLM when moving in and removing the Spudder Rig.
    - ii. Notify the BLM when moving in the 2<sup>nd</sup> Rig. Rig to be moved in within 90 days of notification that Spudder Rig has left the location.
    - iii. BOP/BOPE test to be conducted per **43 CFR 3172** as soon as 2<sup>nd</sup> Rig is rigged up on well.
2. Floor controls are required for 3M or Greater systems. These controls will be on the rig floor, unobstructed, readily accessible to the driller and will be operational at all times during drilling and/or completion activities. Rig floor is defined as the area immediately around the rotary table; the area immediately above the substructure on which the draw works are located, this does not include the doghouse or stairway area.

3. For intervals in which cement to surface is required, cement to surface should be verified with a visual check and density or pH check to differentiate cement from spacer and drilling mud. The results should be documented in the driller's log and daily reports.

#### A. CASING

1. Changes to the approved APD casing program need prior approval if the items substituted are of lesser grade or different casing size or are Non-API. The Operator can exchange the components of the proposal with that of superior strength (i.e. changing from J-55 to N-80, or from 36# to 40#). Changes to the approved cement program need prior approval if the altered cement plan has less volume or strength or if the changes are substantial (i.e. Multistage tool, ECP, etc.). The initial wellhead installed on the well will remain on the well with spools used as needed.
2. Wait on cement (WOC) for Potash Areas: After cementing but before commencing any tests, the casing string shall stand cemented under pressure until both of the following conditions have been met: 1) cement reaches a minimum compressive strength of 500 psi for all cement blends of both lead and tail cement, 2) until cement has been in place at least 8 hours. WOC time will be recorded in the driller's log. The casing integrity test can be done (prior to the cement setting up) immediately after bumping the plug.
3. Wait on cement (WOC) for Water Basin: After cementing but before commencing any tests, the casing string shall stand cemented under pressure until both of the following conditions have been met: 1) cement reaches a minimum compressive strength of 500 psi at the shoe, 2) until cement has been in place at least 8 hours. WOC time will be recorded in the driller's log. See individual casing strings for details regarding lead cement slurry requirements. The casing integrity test can be done (prior to the cement setting up) immediately after bumping the plug.
4. Provide compressive strengths including hours to reach required 500 pounds compressive strength prior to cementing each casing string. Have well specific cement details onsite prior to pumping the cement for each casing string.
5. No pea gravel permitted for remedial or fall back remedial without prior authorization from the BLM engineer.
6. On that portion of any well approved for a 5M BOPE system or greater, a pressure integrity test of each casing shoe shall be performed. Formation at the shoe shall be tested to a minimum of the mud weight equivalent anticipated to control the formation pressure to the next casing depth or at total depth of the well. This test shall be performed before drilling more than 20 feet of new hole.

7. If hardband drill pipe is rotated inside casing, returns will be monitored for metal. If metal is found in samples, drill pipe will be pulled and rubber protectors which have a larger diameter than the tool joints of the drill pipe will be installed prior to continuing drilling operations.
8. Whenever a casing string is cemented in the R-111-Q potash area, the NMOCD requirements shall be followed.

#### **B. PRESSURE CONTROL**

1. All blowout preventer (BOP) and related equipment (BOPE) shall comply with well control requirements as described in **43 CFR 3172**.
2. If a variance is approved for a flexible hose to be installed from the BOP to the choke manifold, the following requirements apply: The flex line must meet the requirements of API 16C. Check condition of flexible line from BOP to choke manifold, replace if exterior is damaged or if line fails test. Line to be as straight as possible with no hard bends and is to be anchored according to Manufacturer's requirements. The flexible hose can be exchanged with a hose of equal size and equal or greater pressure rating. Anchor requirements, specification sheet and hydrostatic pressure test certification matching the hose in service, to be onsite for review. These documents shall be posted in the company man's trailer and on the rig floor.
3. 5M or higher system requires an HCR valve, remote kill line and annular to match. The remote kill line is to be installed prior to testing the system and tested to stack pressure.
4. If the operator has proposed a multi-bowl wellhead assembly in the APD. The following requirements must be met:
  - i. Wellhead shall be installed by manufacturer's representatives, submit documentation with subsequent sundry.
  - ii. If the welding is performed by a third party, the manufacturer's representative shall monitor the temperature to verify that it does not exceed the maximum temperature of the seal.
  - iii. Manufacturer representative shall install the test plug for the initial BOP test.
  - iv. Whenever any seal subject to test pressure is broken, all the tests in 43 CFR 3172.6(b)(9) must be followed.
  - v. If the cement does not circulate and one-inch operations would have been possible with a standard wellhead, the well head shall be cut off, cementing operations performed and another wellhead installed.
5. The appropriate BLM office shall be notified a minimum of 4 hours in advance for a representative to witness the tests.
  - i. In a water basin, for all casing strings utilizing slips, these are to be set as soon as the crew and rig are ready and any fallback cement remediation has

been done. The casing cut-off and BOP installation can be initiated four hours after installing the slips, which will be approximately six hours after bumping the plug. For those casing strings not using slips, the minimum wait time before cut-off is eight hours after bumping the plug. BOP/BOPE testing can begin after cut-off or once cement reaches 500 psi compressive strength (including lead cement), whichever is greater. However, if the float does not hold, cut-off cannot be initiated until cement reaches 500 psi compressive strength (including lead when specified).

- ii. In potash areas, for all casing strings utilizing slips, these are to be set as soon as the crew and rig are ready and any fallback cement remediation has been done. For all casing strings, casing cut-off and BOP installation can be initiated at twelve hours after bumping the cement plug. The BOPE test can be initiated after bumping the cement plug with the casing valve open. (Only applies to single stage cement jobs, prior to the cement setting up.)
- iii. The tests shall be done by an independent service company utilizing a test plug not a cup or J-packer and can be initiated immediately with the casing valve open. The operator also has the option of utilizing an independent tester to test without a plug (i.e. against the casing) pursuant to **43 CFR 3172** with the pressure not to exceed 70% of the burst rating for the casing. Any test against the casing must meet the WOC time for 8 hours or 500 pounds compressive strength, whichever is greater, prior to initiating the test (see casing segment as lead cement may be critical item).
- iv. The test shall be run on a 5000-psi chart for a 2-3M BOP/BOP, on a 10000 psi chart for a 5M BOP/BOPE and on a 15000 psi chart for a 10M BOP/BOPE. If a linear chart is used, it shall be a one-hour chart. A circular chart shall have a maximum 2-hour clock. If a twelve hour or twenty-four-hour chart is used, tester shall make a notation that it is run with a two hour clock.
- v. The results of the test shall be reported to the appropriate BLM office.
- vi. All tests are required to be recorded on a calibrated test chart. A copy of the BOP/BOPE test chart and a copy of independent service company test will be submitted to the appropriate BLM office.
- vii. The BOP/BOPE test shall include a low-pressure test from 250 to 300 psi. The test will be held for a minimum of 10 minutes if test is done with a test plug and 30 minutes without a test plug. This test shall be performed prior to the test at full stack pressure.
- viii. BOP/BOPE must be tested by an independent service company within 500 feet of the top of the Wolfcamp formation if the time between the setting of the intermediate casing and reaching this depth exceeds 20 days. This test

does not exclude the test prior to drilling out the casing shoe as per **43 CFR 3172**.

**C. DRILLING MUD**

Mud system monitoring equipment, with derrick floor indicators and visual and audio alarms, shall be operating before drilling into the Wolfcamp formation, and shall be used until production casing is run and cemented.

**D. WASTE MATERIAL AND FLUIDS**

All waste (i.e. drilling fluids, trash, salts, chemicals, sewage, gray water, etc.) created as a result of drilling operations and completion operations shall be safely contained and disposed of properly at a waste disposal facility. No waste material or fluid shall be disposed of on the well location or surrounding area. Porto-johns and trash containers will be on-location during fracturing operations or any other crew-intensive operations.

**SA 07/23/2025**



Hydrogen Sulfide Drilling Operations Plan  
**Mewbourne Oil Company**

**1. General Requirements**

Rule 118 does not apply to this well because MOC has researched this area and no high concentrations of H<sub>2</sub>S were found. MOC will have on location and working all H<sub>2</sub>S safety equipment before the Delaware formation for purposes of safety and insurance requirements.

**2. Hydrogen Sulfide Training**

All personnel, whether regularly assigned, contracted, or employed on an unscheduled basis, will have received training from a qualified instructor in the following areas prior to entering the drilling pad area of the well:

1. The hazards and characteristics of hydrogen sulfide gas.
2. The proper use of personal protective equipment and life support systems.
3. The proper use of hydrogen sulfide detectors, alarms, warning systems, briefing areas, evacuation procedures.
4. The proper techniques for first aid and rescue operations.

Additionally, supervisory personnel will be trained in the following areas:

- 1 The effects of hydrogen sulfide on metal components. If high tensile tubular systems are utilized, supervisory personnel will be trained in their special maintenance requirements.
- 2 Corrective action and shut in procedures, blowout prevention, and well control procedures while drilling a well.
- 3 The contents of the Hydrogen Sulfide Drilling Operations Plan.

There will be an initial training session prior to encountering a known hydrogen sulfide source. The initial training session shall include a review of the site specific Hydrogen Sulfide Drilling Operations Plan.

**3. Hydrogen Sulfide Safety Equipment and Systems**

All hydrogen sulfide safety equipment and systems will be installed, tested, and operational prior to drilling below the 9 5/8" intermediate casing.

1. Well Control Equipment
  - A. Choke manifold with minimum of one adjustable choke/remote choke.
  - B. Blowout preventers equipped with blind rams and pipe rams to accommodate all pipe sizes with properly sized closing unit
  - C. Auxiliary equipment including annular type blowout preventer.
2. Protective Equipment for Essential Personnel

Thirty minute self contained work unit located in the dog house and at briefing areas.

Additionally: If H<sub>2</sub>S is encountered in concentrations less than 10 ppm, fans will be placed in work areas to prevent the accumulation of hazardous amounts of poisonous gas. If higher concentrations of H<sub>2</sub>S are detected the well will be shut in and a rotating head, mud/gas separator, remote choke and flare line with igniter will be installed.



3. Hydrogen Sulfide Protection and Monitoring Equipment  
 Two portable hydrogen sulfide monitors positioned on location for optimum coverage and detection. The units shall have audible sirens to notify personnel when hydrogen sulfide levels exceed 20 PPM.

4. Visual Warning Systems  
 A. Wind direction indicators as indicated on the wellsite diagram.  
 B. Caution signs shall be posted on roads providing access to location. Signs shall be painted a high visibility color with lettering of sufficient size to be readable at reasonable distances from potentially contaminated areas.

**4. Mud Program**

The mud program has been designed to minimize the amount of hydrogen sulfide entrained in the mud system. Proper mud weight, safe drilling practices, and the use of hydrogen sulfide scavengers will minimize hazards while drilling the well.

**5. Metallurgy**

All tubular systems, wellheads, blowout preventers, drilling spools, kill lines, choke manifolds, and valves shall be suitable for service in a hydrogen sulfide environment when chemically treated.

**6. Communications**

State & County Officials phone numbers are posted on rig floor and supervisors trailer. Communications in company vehicles and toolpushers are either two way radios or cellular phones.

**7. Well Testing**

Drill stem testing is not an anticipated requirement for evaluation of this well. If a drill stem test is required, it will be conducted with a minimum number of personnel in the immediate vicinity. The test will be conducted during daylight hours only.

**8. Emergency Phone Numbers**

<b>Eddy County Sheriff's Office</b>	<b>911 or 575-887-7551</b>
<b>Ambulance Service</b>	<b>911 or 575-885-2111</b>
<b>Carlsbad Fire Dept</b>	<b>911 or 575-885-2111</b>
<b>Loco Hills Volunteer Fire Dept.</b>	<b>911 or 575-677-3266</b>
<b>Closest Medical Facility - Columbia Medical Center of Carlsbad</b>	<b>575-492-5000</b>

<b>Mewbourne Oil Company</b>	<b>Hobbs District Office</b>	<b>575-393-5905</b>
	<b>Fax</b>	<b>575-397-6252</b>
	<b>2<sup>nd</sup> Fax</b>	<b>575-393-7259</b>

<b>District Manager</b>	<b>Robin Terrell</b>	<b>575-390-4816</b>
<b>Drilling Superintendent</b>	<b>Frosty Lathan</b>	<b>575-390-4103</b>
	<b>Bradley Bishop</b>	<b>575-390-6838</b>
<b>Drilling Foreman</b>	<b>Wesley Noseff</b>	<b>575-441-0729</b>

**Operator Name:** MEWBOURNE OIL COMPANY

**Well Name:** WINE MIXER 21/20 FED COM

**Well Number:** 526H

**Waste type:** GARBAGE

**Waste content description:** Garbage & trash from all drilling & completion procedures

**Amount of waste:** 1500 pounds

**Waste disposal frequency :** One Time Only

**Safe containment description:** Enclosed trash trailers

**Safe containmant attachment:**

**Waste disposal type:** HAUL TO COMMERCIAL FACILITY    **Disposal location ownership:** PRIVATE

**Disposal type description:**

**Disposal location description:** County of Eddy waste management

**Reserve Pit**

**Reserve Pit being used?** NO

**Temporary disposal of produced water into reserve pit?** NO

**Reserve pit length (ft.)**                      **Reserve pit width (ft.)**

**Reserve pit depth (ft.)**    **Reserve pit volume (cu. yd.)**

**Is at least 50% of the reserve pit in cut?**

**Reserve pit liner**

**Reserve pit liner specifications and installation description**

**Cuttings Area**

**Cuttings Area being used?** NO

**Are you storing cuttings on location?** Y

**Description of cuttings location** Drill cuttings will be properly contained in steel tanks (20 yard roll off bins.) and taken to an NMOCD approved disposal facility listed below. After drilling and completion operations, trash, chemicals, salts, frac sand and other waste material will be removed and disposed of properly at the said facilities. NMOCD approved waste disposal locations are CRI or Lea Land, both facilities are located on HWY 62/180, Sec. 27 T20S R32E.

**Cuttings area length (ft.)**    **Cuttings area width (ft.)**

**Cuttings area depth (ft.)**    **Cuttings area volume (cu. yd.)**

**Is at least 50% of the cuttings area in cut?**

**Cuttings area liner**

**Cuttings area liner specifications and installation description**

**Operator Name:** MEWBOURNE OIL COMPANY

**Well Name:** WINE MIXER 21/20 FED COM

**Well Number:** 526H

**Section 8 - Ancillary**

**Are you requesting any Ancillary Facilities?:** N

**Ancillary Facilities**

**Comments:**

**Section 9 - Well Site**

**Well Site Layout Diagram:**

Wine\_Mixer\_21\_20\_Fed\_Com\_526H\_WellSiteLayout\_20250120095409.pdf

**Comments:** NONE

**Section 10 - Plans for Surface**

**Type of disturbance:** New Surface Disturbance

**Multiple Well Pad Name:** WINE MIXER 21/20 FED COM 526H 528H

**Multiple Well Pad Number:** 2

**Recontouring**

Wine\_Mixer\_21\_20\_Fed\_Com\_526H\_InterimReclamationMap\_20250325145555.pdf

**Drainage/Erosion control construction:** None required

**Drainage/Erosion control reclamation:** None required

<b>Well pad proposed disturbance (acres):</b> 6.7	<b>Well pad interim reclamation (acres):</b> 0.07	<b>Well pad long term disturbance (acres):</b> 6.63
<b>Road proposed disturbance (acres):</b> 0.101	<b>Road interim reclamation (acres):</b> 0	<b>Road long term disturbance (acres):</b> 0
<b>Powerline proposed disturbance (acres):</b> 0	<b>Powerline interim reclamation (acres):</b> 0	<b>Powerline long term disturbance (acres):</b> 0
<b>Pipeline proposed disturbance (acres):</b> 0	<b>Pipeline interim reclamation (acres):</b> 0	<b>Pipeline long term disturbance (acres):</b> 0
<b>Other proposed disturbance (acres):</b> 0	<b>Other interim reclamation (acres):</b> 0	<b>Other long term disturbance (acres):</b> 0
<b>Total proposed disturbance:</b> 6.801	<b>Total interim reclamation:</b> 0.07	<b>Total long term disturbance:</b> 6.63

**Disturbance Comments:** The length of the pipeline is unknown. A sundry notice will be filed for approval of said pipeline.

**Reconstruction method:** Remove caliche, redistribute topsoil over reclaimed area & reseed.

**Topsoil redistribution:** Use backhoe/loader to spread material.

**Soil treatment:** None

**Existing Vegetation at the well pad:** Various brush & grasses.

**Existing Vegetation at the well pad**

Sante Fe Main Office  
Phone: (505) 476-3441

General Information  
Phone: (505) 629-6116

Online Phone Directory  
<https://www.emnrd.nm.gov/ocd/contact-us>

**State of New Mexico**  
**Energy, Minerals and Natural Resources**  
**Oil Conservation Division**  
**1220 S. St Francis Dr.**  
**Santa Fe, NM 87505**

ACKNOWLEDGMENTS

Action 493883

**ACKNOWLEDGMENTS**

Operator: MEWBOURNE OIL CO P.O. Box 5270 Hobbs, NM 88241	OGRID: 14744
	Action Number: 493883
	Action Type: [C-101] BLM - Federal/Indian Land Lease (Form 3160-3)

**ACKNOWLEDGMENTS**

<input type="checkbox"/>	I hereby certify that no additives containing PFAS chemicals will be added to the completion or recompletion of this well.
--------------------------	--

Sante Fe Main Office  
Phone: (505) 476-3441

General Information  
Phone: (505) 629-6116

Online Phone Directory  
<https://www.emnrd.nm.gov/oecd/contact-us>

**State of New Mexico  
Energy, Minerals and Natural Resources  
Oil Conservation Division  
1220 S. St Francis Dr.  
Santa Fe, NM 87505**

CONDITIONS

Action 493883

**CONDITIONS**

Operator: MEWBOURNE OIL CO P.O. Box 5270 Hobbs, NM 88241	OGRID: 14744
	Action Number: 493883
	Action Type: [C-101] BLM - Federal/Indian Land Lease (Form 3160-3)

**CONDITIONS**

Created By	Condition	Condition Date
mleal	Cement is required to circulate on both surface and intermediate1 strings of casing.	8/8/2025
mleal	If cement does not circulate on any string, a Cement Bond Log (CBL) is required for that string of casing.	8/8/2025
ward.rikala	Notify the OCD 24 hours prior to casing & cement.	8/26/2025
ward.rikala	File As Drilled C-102 and a directional Survey with C-104 completion packet.	8/26/2025
ward.rikala	Once the well is spud, to prevent ground water contamination through whole or partial conduits from the surface, the operator shall drill without interruption through the fresh water zone or zones and shall immediately set in cement the water protection string.	8/26/2025
ward.rikala	Oil base muds are not to be used until fresh water zones are cased and cemented providing isolation from the oil or diesel. This includes synthetic oils. Oil based mud, drilling fluids and solids must be contained in a steel closed loop system.	8/26/2025
ward.rikala	If Capitan Reef is encountered, must immediately cease drilling and set casing on top of the Capitan Reef. Then drill through the Capitan using only fresh water. Once Capitan has been fully penetrated, then set another casing string immediately below and cement same back to surface.	8/26/2025