

Well Name	Well Number	US Well Number	Lease Number	Case Number	Operator
BELLOQ 11-2	734H	3001546756	NMNM0404441	NMNM142979	DEVON
BELLOQ 11-2	231H	3001545277	NMNM0404441	NMNM0404441	DEVON
BELLOQ 11-2	514H	3001546705	NMNM0404441	NMNM0404441	DEVON
BELLOQ 11-2	713H	3001546757	NMNM0404441	NMNM0404441	DEVON
BELLOQ 11-2	234H	3001545278	NMNM0404441	NMNM140385	DEVON
BELLOQ 11	222H	3001545275	NMNM0404441	NMNM0404441	DEVON
BELLOQ 11-2	223H	3001545276	NMNM0404441	NMNM0404441	DEVON
BELLOQ 11-2	613H	3001546759	NMNM0404441	NMNM0404441	DEVON
BELLOQ 11-2	733H	3001546758	NMNM0404441	NMNM0404441	DEVON
BELLOQ 11-2	611H	3001547285	NMNM0404441	NMNM105775397	DEVON
BELLOQ 11 2 Fed	701H	3001547286	NMNM0404441	NMNM105775397	DEVON
BELLOQ 11-2	702H	3001546763	NMNM0404441	NMNM105775397	DEVON
BELLOQ 11-2	811H	3001547284	NMNM0404441	NMNM105775397	DEVON
BELLOQ 11-2 Fed	812H	3001546762	NMNM0404441	NMNM105775397	DEVON
BELLOQ 11-2	714H	3001546764	NMNM0404441	NMNM0404441	DEVON
BELLOQ 11 2	214H	3001556380	NMNM0404441	NMNM140383	DEVON
BELLOQ 11 2	122H	3001556529	NMNM0404441	NMNM0404441	DEVON
BELLOQ 11 2	123H	3001556530	NMNM0404441	NMNM0404441	DEVON
BELLOQ 11 2	215H	3001556908	NMNM0404441	NMNM0404441	DEVON
BELLOQ 11 2	534H	3001557027	NMNM0404441	NMNM0404441	DEVON
BELLOQ 11 2	124H	3001556655	NMNM0404441	NMNM0404441	DEVON
BELLOQ 11 2	536H	3001556976	NMNM0404441	NMNM140385	DEVON
BELLOQ 11 2	535H	3001556975	NMNM0404441	NMNM140383	DEVON
BELLOQ 11 2	537H	3001556977	NMNM0404441	NMNM140385	DEVON
BELLOQ 11 2	121H	3001556528	NMNM0404441	NMNM140384	DEVON
BELLOQ 11 2	531H	3001556904	NMNM0404441	NMNM140384	DEVON
BELLOQ 11 2	532H	3001556905	NMNM0404441	NMNM140384	DEVON
ALEUTIAN 10-3	214H	3001545570	NMNM0405444	NMNM0405444	DEVON
ALEUTIAN 10-3	211H	3001546964	NMNM77079	NMNM142987	DEVON
ALEUTIAN 10-3	213H	3001546966	NMNM77046	NMNM142990	DEVON
ALEUTIAN 10-3	212H	3001546965	NMNM121955	NMNM142988	DEVON
ALEUTIAN 10-3	702H	3001547394	NMNM121955	NMNM105770719	DEVON
ALEUTIAN 10-3	612H	3001547397	NMNM121955	NMNM105770719	DEVON
ALEUTIAN 10-3	812H	3001547405	NMNM121955	NMNM105770719	DEVON
ALEUTIAN 10-3	701H	3001547393	NMNM77046	NMNM106349967	DEVON
ALEUTIAN 10-3	611H	3001547396	NMNM77046	NMNM106349967	DEVON
ALEUTIAN 10-3	811H	3001547404	NMNM77046	NMNM106349967	DEVON
Aleutian 10 3	126H	3001556372	NMNM0404441	NMNM140384	DEVON
MALDIVES 15-27	235H	3001547084	NMNM0405444	NMNM143573	DEVON
MALDIVES 15-27	234H	3001547061	NMNM0405444	NMNM143573	DEVON
MALDIVES 15-27	236H	3001547062	NMNM0405444	NMNM143573	DEVON

Well Name	Well Number	US Well Number	Lease Number	Case Number	Operator
TOMB RAIDER 12	111H	3001557241	NMNM022080	NMNM140383	DEVON

Notice of Intent

Sundry ID: 2881617

Type of Submission: Notice of Intent

Type of Action: Other

Date Sundry Submitted: 11/05/2025

Time Sundry Submitted: 02:14

Date proposed operation will begin: 11/05/2025

Procedure Description: Sundry submittal at request of CFO. Devon Energy Production Co., L.P. (Devon) respectfully requests approval for a gas lift system regarding the subject wells. Gas will go into a pipeline system designed for gas injection for gas lift systems installed on wells from various reservoirs and leases. Each well within the system will be equipped with an individual injection meter, enabling tracking of injection volumes separate from the gas production of each well. The projected injection volumes are approximately 1,200 MCF per day for each well. Devon acknowledges that this gas is not royalty-free and the concept of beneficial use does not apply in this context. Please see attached supporting documentation.

Surface Disturbance

Is any additional surface disturbance proposed?: No

NOI Attachments

Procedure Description

Belloq_Aleutian_Mesh_Gas_Lift_120_GL_PFD_20251105141106.pdf

Operator

I certify that the foregoing is true and correct. Title 18 U.S.C. Section 1001 and Title 43 U.S.C. Section 1212, make it a crime for any person knowingly and willfully to make to any department or agency of the United States any false, fictitious or fraudulent statements or representations as to any matter within its jurisdiction. Electronic submission of Sundry Notices through this system satisfies regulations requiring a

Operator Electronic Signature: CHELSEY GREEN

Signed on: NOV 05, 2025 02:10 PM

Name: DEVON ENERGY PRODUCTION COMPANY LP

Title: Regulatory Compliance Professional

Street Address: 333 WEST SHERIDAN AVENUE

City: OKLAHOMA CITY **State:** OK

Phone: (405) 228-8595

Email address: CHELSEY.GREEN@DVN.COM

Field

Representative Name:

Street Address:

City: **State:** **Zip:**

Phone:

Email address:

BLM Point of Contact

BLM POC Name: JONATHON W SHEPARD

BLM POC Title: Petroleum Engineer

BLM POC Phone: 5752345972

BLM POC Email Address: jshepard@blm.gov

Disposition: Approved

Disposition Date: 12/19/2025

Signature: Jonathon Shepard

Form 3160-5
(October 2024)

UNITED STATES
DEPARTMENT OF THE INTERIOR
BUREAU OF LAND MANAGEMENT

FORM APPROVED
OMB No. 1004-0220
Expires: October 31, 2027

SUNDRY NOTICES AND REPORTS ON WELLS
Do not use this form for proposals to drill or to re-enter an abandoned well. Use Form 3160-3 (APD) for such proposals.

5. Lease Serial No.
6. If Indian, Allottee or Tribe Name

SUBMIT IN TRIPLICATE - Other instructions on page 2		7. If Unit of CA/Agreement, Name and/or No.
1. Type of Well <input type="checkbox"/> Oil Well <input type="checkbox"/> Gas Well <input type="checkbox"/> Other		8. Well Name and No.
2. Name of Operator		9. API Well No.
3a. Address	3b. Phone No. (include area code)	10. Field and Pool or Exploratory Area
4. Location of Well (Footage, Sec., T.,R.,M., or Survey Description)		11. Country or Parish, State

12. CHECK THE APPROPRIATE BOX(ES) TO INDICATE NATURE OF NOTICE, REPORT OR OTHER DATA

TYPE OF SUBMISSION	TYPE OF ACTION			
<input type="checkbox"/> Notice of Intent	<input type="checkbox"/> Acidize	<input type="checkbox"/> Deepen	<input type="checkbox"/> Production (Start/Resume)	<input type="checkbox"/> Water Shut-Off
<input type="checkbox"/> Subsequent Report	<input type="checkbox"/> Alter Casing	<input type="checkbox"/> Hydraulic Fracturing	<input type="checkbox"/> Reclamation	<input type="checkbox"/> Well Integrity
<input type="checkbox"/> Final Abandonment Notice	<input type="checkbox"/> Casing Repair	<input type="checkbox"/> New Construction	<input type="checkbox"/> Recomplete	<input type="checkbox"/> Other
	<input type="checkbox"/> Change Plans	<input type="checkbox"/> Plug and Abandon	<input type="checkbox"/> Temporarily Abandon	
	<input type="checkbox"/> Convert to Injection	<input type="checkbox"/> Plug Back	<input type="checkbox"/> Water Disposal	

13. Describe Proposed or Completed Operation: Clearly state all pertinent details, including estimated starting date of any proposed work and approximate duration thereof. If the proposal is to deepen directionally or recomplete horizontally, give subsurface locations and measured and true vertical depths of all pertinent markers and zones. Attach the Bond under which the work will be performed or provide the Bond No. on file with BLM/BIA. Required subsequent reports must be filed within 30 days following completion of the involved operations. If the operation results in a multiple completion or recompletion in a new interval, a Form 3160-4 must be filed once testing has been completed. Final Abandonment Notices must be filed only after all requirements, including reclamation, have been completed and the operator has determined that the site is ready for final inspection.)

14. I hereby certify that the foregoing is true and correct. Name (Printed/Typed)		
	Title	
Signature	Date	

THE SPACE FOR FEDERAL OR STATE OFFICE USE

Approved by		
	Title	Date
Conditions of approval, if any, are attached. Approval of this notice does not warrant or certify that the applicant holds legal or equitable title to those rights in the subject lease which would entitle the applicant to conduct operations thereon.	Office	

Title 18 U.S.C Section 1001 and Title 43 U.S.C Section 1212, make it a crime for any person knowingly and willfully to make to any department or agency of the United States any false, fictitious or fraudulent statements or representations as to any matter within its jurisdiction.

(Instructions on page 2)

GENERAL INSTRUCTIONS

This form is designed for submitting proposals to perform certain well operations and reports of such operations when completed as indicated on Federal and Indian lands pursuant to applicable Federal law and regulations. Any necessary special instructions concerning the use of this form and the number of copies to be submitted, particularly with regard to local area or regional procedures and practices, are either shown below, will be issued by or may be obtained from the local Federal office.

SPECIFIC INSTRUCTIONS

Item 4 - Locations on Federal or Indian land should be described in accordance with Federal requirements. Consult the local Federal office for specific instructions.

Item 13: Proposals to abandon a well and subsequent reports of abandonment should include such special information as is required by the local Federal office. In addition, such proposals and reports should include reasons for the abandonment; data on any former or present productive zones or other zones with present significant fluid contents not sealed off by cement or otherwise; depths (top and bottom) and method of placement of cement plugs; mud or other material placed below, between and above plugs; amount, size, method of parting of any casing, liner or tubing pulled and the depth to the top of any tubing left in the hole; method of closing top of well and date well site conditioned for final inspection looking for approval of the abandonment. If the proposal will involve **hydraulic fracturing operations**, you must comply with 43 CFR 3162.3-3, including providing information about the protection of usable water. Operators should provide the best available information about all formations containing water and their depths. This information could include data and interpretation of resistivity logs run on nearby wells. Information may also be obtained from state or tribal regulatory agencies and from local BLM offices.

NOTICES

The privacy Act of 1974 and the regulation in 43 CFR 2.48(d) provide that you be furnished the following information in connection with information required by this application.

AUTHORITY: 30 U.S.C. 181 et seq., 351 et seq., 25 U.S.C. 396; 43 CFR 3160.

PRINCIPAL PURPOSE: The information is used to: (1) Evaluate, when appropriate, approve applications, and report completion of subsequent well operations, on a Federal or Indian lease; and (2) document for administrative use, information for the management, disposal and use of National Resource lands and resources, such as: (a) evaluating the equipment and procedures to be used during a proposed subsequent well operation and reviewing the completed well operations for compliance with the approved plan; (b) requesting and granting approval to perform those actions covered by 43 CFR 3162.3-2, 3162.3-3, and 3162.3-4; (c) reporting the beginning or resumption of production, as required by 43 CFR 3162.4-1(c) and (d) analyzing future applications to drill or modify operations in light of data obtained and methods used.

ROUTINE USES: Information from the record and/or the record will be transferred to appropriate Federal, State, local or foreign agencies, when relevant to civil, criminal or regulatory investigations or prosecutions in connection with congressional inquiries or to consumer reporting agencies to facilitate collection of debts owed the Government.

EFFECT OF NOT PROVIDING THE INFORMATION: Filing of this notice and report and disclosure of the information is mandatory for those subsequent well operations specified in 43 CFR 3162.3-2, 3162.3-3, 3162.3-4.

The Paperwork Reduction Act of 1995 requires us to inform you that:

The BLM collects this information to evaluate proposed and/or completed subsequent well operations on Federal or Indian oil and gas leases.

Response to this request is mandatory.

The BLM would like you to know that you do not have to respond to this or any other Federal agency-sponsored information collection unless it displays a currently valid OMB control number.

BURDEN HOURS STATEMENT: Public reporting burden for this form is estimated to average 8 hours per response, including the time for reviewing instructions, gathering and maintaining data, and completing and reviewing the form. Direct comments regarding the burden estimate or any other aspect of this form to U.S. Department of the Interior, Bureau of Land Management (1004-0137), Bureau Information Collection Clearance Officer (WO-630), 1849 C St., N.W., Mail Stop 401 LS, Washington, D.C. 20240

Additional Information

Batch Well Data

BELLOQ 11-2 FED STATE COM 223H, US Well Number: 3001545276, Case Number: NMNM0404441, Lease Number: NMNM0404441,
Operator:DEVON ENERGY PRODUCTION COMPANY LP

BELLOQ 11-2 FED STATE COM 231H, US Well Number: 3001545277, Case Number: NMNM0404441, Lease Number: NMNM0404441,
Operator:DEVON ENERGY PRODUCTION COMPANY LP

BELLOQ 11 FEDERAL 222H, US Well Number: 3001545275, Case Number: NMNM0404441, Lease Number: NMNM0404441,
Operator:DEVON ENERGY PRODUCTION COMPANY LP

BELLOQ 11-2 FED STATE COM 234H, US Well Number: 3001545278, Case Number: NMNM140385, Lease Number: NMNM0404441,
Operator:DEVON ENERGY PRODUCTION COMPANY LP

ALEUTIAN 10-3 FED COM 214H, US Well Number: 3001545570, Case Number: NMNM0405444, Lease Number: NMNM0405444,
Operator:DEVON ENERGY PRODUCTION COMPANY LP

BELLOQ 11-2 FED STATE COM 514H, US Well Number: 3001546705, Case Number: NMNM0404441, Lease Number: NMNM0404441,
Operator:DEVON ENERGY PRODUCTION COMPANY LP

BELLOQ 11-2 FED STATE COM 713H, US Well Number: 3001546757, Case Number: NMNM0404441, Lease Number: NMNM0404441,
Operator:DEVON ENERGY PRODUCTION COMPANY LP

BELLOQ 11-2 FED STATE COM 613H, US Well Number: 3001546759, Case Number: NMNM0404441, Lease Number: NMNM0404441,
Operator:DEVON ENERGY PRODUCTION COMPANY LP

BELLOQ 11-2 FED STATE COM 734H, US Well Number: 3001546756, Case Number: NMNM142979, Lease Number: NMNM0404441,
Operator:DEVON ENERGY PRODUCTION COMPANY LP

BELLOQ 11-2 FED STATE COM 714H, US Well Number: 3001546764, Case Number: NMNM0404441, Lease Number: NMNM0404441,
Operator:DEVON ENERGY PRODUCTION COMPANY LP

BELLOQ 11-2 FED STATE COM 702H, US Well Number: 3001546763, Case Number: NMNM105775397, Lease Number: NMNM0404441,
Operator:DEVON ENERGY PRODUCTION COMPANY LP

BELLOQ 11-2 Fed State Com 812H, US Well Number: 3001546762, Case Number: NMNM105775397, Lease Number: NMNM0404441,
Operator:DEVON ENERGY PRODUCTION COMPANY LP

BELLOQ 11-2 FED STATE COM 733H, US Well Number: 3001546758, Case Number: NMNM0404441, Lease Number: NMNM0404441,
Operator:DEVON ENERGY PRODUCTION COMPANY LP

BELLOQ 11-2 FED STATE COM 611H, US Well Number: 3001547285, Case Number: NMNM105775397, Lease Number: NMNM0404441,

Operator:DEVON ENERGY PRODUCTION COMPANY LP

ALEUTIAN 10-3 FED COM 211H, US Well Number: 3001546964, Case Number: NMNM142987, Lease Number: NMNM77079,

Operator:DEVON ENERGY PRODUCTION COMPANY LP

ALEUTIAN 10-3 FED COM 212H, US Well Number: 3001546965, Case Number: NMNM142988, Lease Number: NMNM121955,

Operator:DEVON ENERGY PRODUCTION COMPANY LP

ALEUTIAN 10-3 FED COM 213H, US Well Number: 3001546966, Case Number: NMNM142990, Lease Number: NMNM77046,

Operator:DEVON ENERGY PRODUCTION COMPANY LP

MALDIVES 15-27 FED COM 234H, US Well Number: 3001547061, Case Number: NMNM143573, Lease Number: NMNM0405444,

Operator:DEVON ENERGY PRODUCTION COMPANY LP

MALDIVES 15-27 FED COM 236H, US Well Number: 3001547062, Case Number: NMNM143573, Lease Number: NMNM0405444,

Operator:DEVON ENERGY PRODUCTION COMPANY LP

MALDIVES 15-27 FED COM 235H, US Well Number: 3001547084, Case Number: NMNM143573, Lease Number: NMNM0405444,

Operator:DEVON ENERGY PRODUCTION COMPANY LP

BELLOQ 11-2 FED STATE COM 811H, US Well Number: 3001547284, Case Number: NMNM105775397, Lease Number: NMNM0404441,

Operator:DEVON ENERGY PRODUCTION COMPANY LP

BELLOQ 11 2 Fed State Com 701H, US Well Number: 3001547286, Case Number: NMNM105775397, Lease Number: NMNM0404441,

Operator:DEVON ENERGY PRODUCTION COMPANY LP

ALEUTIAN 10-3 FED COM 812H, US Well Number: 3001547405, Case Number: NMNM105770719, Lease Number: NMNM121955,

Operator:DEVON ENERGY PRODUCTION COMPANY LP

ALEUTIAN 10-3 FED COM 811H, US Well Number: 3001547404, Case Number: NMNM106349967, Lease Number: NMNM77046,

Operator:DEVON ENERGY PRODUCTION COMPANY LP

ALEUTIAN 10-3 FED COM 612H, US Well Number: 3001547397, Case Number: NMNM105770719, Lease Number: NMNM121955,

Operator:DEVON ENERGY PRODUCTION COMPANY LP

ALEUTIAN 10-3 FED COM 611H, US Well Number: 3001547396, Case Number: NMNM106349967, Lease Number: NMNM77046,

Operator:DEVON ENERGY PRODUCTION COMPANY LP

ALEUTIAN 10-3 FED COM 702H, US Well Number: 3001547394, Case Number: NMNM105770719, Lease Number: NMNM121955,

Operator:DEVON ENERGY PRODUCTION COMPANY LP

ALEUTIAN 10-3 FED COM 701H, US Well Number: 3001547393, Case Number: NMNM106349967, Lease Number: NMNM77046,

Operator:DEVON ENERGY PRODUCTION COMPANY LP

BELLOQ 11 2 FED STATE COM 121H, US Well Number: 3001556528, Case Number: NMNM140384, Lease Number: NMNM0404441,
Operator:DEVON ENERGY PRODUCTION COMPANY LP

BELLOQ 11 2 FED STATE COM 122H, US Well Number: 3001556529, Case Number: NMNM0404441, Lease Number: NMNM0404441,
Operator:DEVON ENERGY PRODUCTION COMPANY LP

BELLOQ 11 2 FED STATE COM 124H, US Well Number: 3001556655, Case Number: NMNM0404441, Lease Number: NMNM0404441,
Operator:DEVON ENERGY PRODUCTION COMPANY LP

BELLOQ 11 2 FED STATE COM 215H, US Well Number: 3001556908, Case Number: NMNM0404441, Lease Number: NMNM0404441,
Operator:DEVON ENERGY PRODUCTION COMPANY LP

BELLOQ 11 2 FED STATE COM 123H, US Well Number: 3001556530, Case Number: NMNM0404441, Lease Number: NMNM0404441,
Operator:DEVON ENERGY PRODUCTION COMPANY LP

BELLOQ 11 2 FED STATE COM 534H, US Well Number: 3001557027, Case Number: NMNM0404441, Lease Number: NMNM0404441,
Operator:DEVON ENERGY PRODUCTION COMPANY LP

Aleutian 10 3 Fed Com 126H, US Well Number: 3001556372, Case Number: NMNM140384, Lease Number: NMNM0404441,
Operator:DEVON ENERGY PRODUCTION COMPANY LP

BELLOQ 11 2 FED STATE COM 531H, US Well Number: 3001556904, Case Number: NMNM140384, Lease Number: NMNM0404441,
Operator:DEVON ENERGY PRODUCTION COMPANY LP

BELLOQ 11 2 FED STATE COM 532H, US Well Number: 3001556905, Case Number: NMNM140384, Lease Number: NMNM0404441,
Operator:DEVON ENERGY PRODUCTION COMPANY LP

BELLOQ 11 2 FED STATE COM 214H, US Well Number: 3001556380, Case Number: NMNM140383, Lease Number: NMNM0404441,
Operator:DEVON ENERGY PRODUCTION COMPANY LP

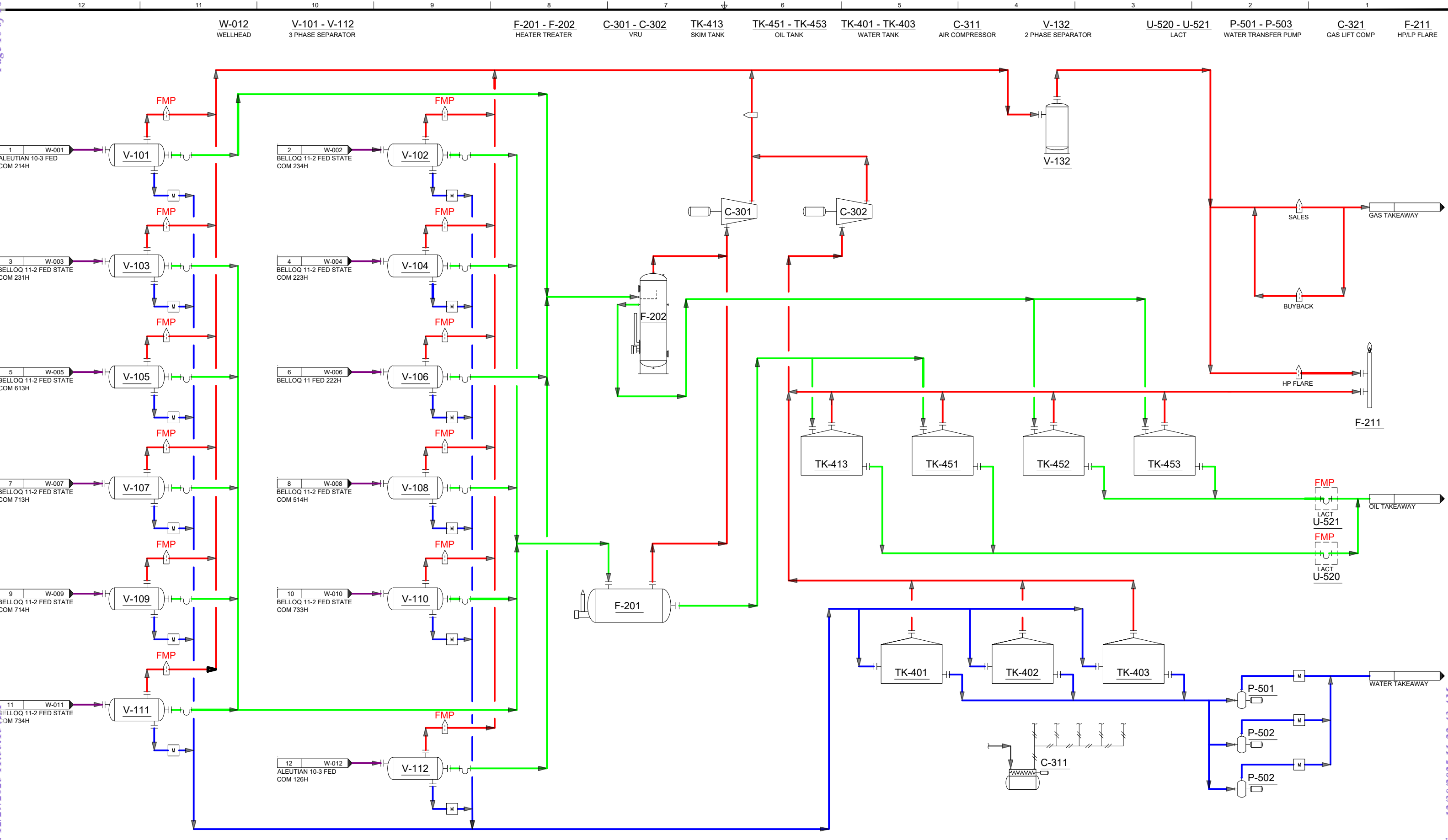
BELLOQ 11 2 FED STATE COM 535H, US Well Number: 3001556975, Case Number: NMNM140383, Lease Number: NMNM0404441,
Operator:DEVON ENERGY PRODUCTION COMPANY LP

BELLOQ 11 2 FED STATE COM 536H, US Well Number: 3001556976, Case Number: NMNM140385, Lease Number: NMNM0404441,
Operator:DEVON ENERGY PRODUCTION COMPANY LP

BELLOQ 11 2 FED STATE COM 537H, US Well Number: 3001556977, Case Number: NMNM140385, Lease Number: NMNM0404441,
Operator:DEVON ENERGY PRODUCTION COMPANY LP

TOMB RAIDER 12 1 FED 111H, US Well Number: 3001557241, Case Number: NMNM140383, Lease Number: NMNM022080,
Operator:DEVON ENERGY PRODUCTION COMPANY LP

CONFIDENTIAL



NOTES:

	ORIFICE METER		GAS		FULL WELL STREAM
	CORIOLIS METER		OIL		INSTRUMENT AIR
	MAGNETIC METER		WATER		FEDERAL MEASUREMENT POINT

REV	DESCRIPTION	DATE	DRAWN	APPROV
A	INITIAL RELEASE		KR	PM

LAT. / LONG. COORDINATES	
GPS:	
N. _____ -W. _____	
CONFIDENTIAL	
This drawing is the property of Devon Energy. Any reproduction, copying or unauthorized use of this drawing, or any part thereof, without the express written consent of Devon Energy is prohibited.	
DRAWN BY:	DATE:
KR	08/19/25
ENGINEERED BY:	DATE:
PM	08/18/25
WBS PROJECT No.:	
120	
DRAWING No.:	
120-02-PFD.dwg	

Devon Energy Corporation
333 West Sheridan Avenue, Oklahoma City, OK 73102-5015

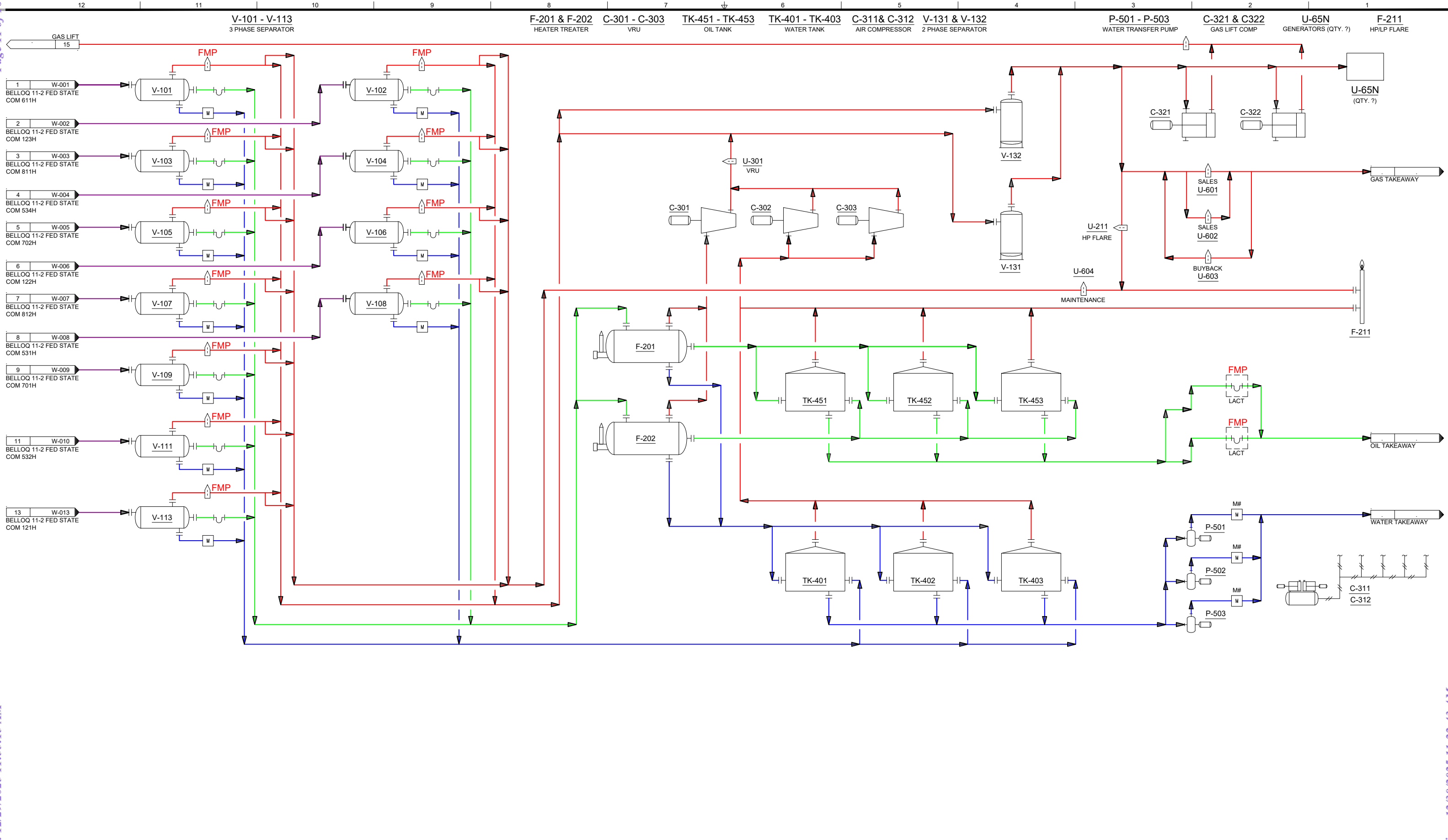
DBBU - SPINE DESIGN - REV 3.1
PROCESS FLOW DIAGRAM
BELLOQ 11 CTB 1

FILE NAME: 120-02-PFD

Received by QCD: 12/29/2025 11:55:15 AM

Released to Imaging: 12/30/2025 11:22:43 AM

Page 11 of 16
Received by QCD: 12/29/2025 11:55:15 AM
Released to Imaging: 12/30/2025 11:22:43 AM



NOTES:

	ORIFICE METER		GAS		FULL WELL STREAM
	CORIOLIS METER		OIL		INSTRUMENT AIR
	MAGNETIC METER		WATER		FMP FEDERAL MEASUREMENT POINT

REV	DESCRIPTION	DATE	DRAWN	APPROV
A	INITIAL RELEASE		KR	PM

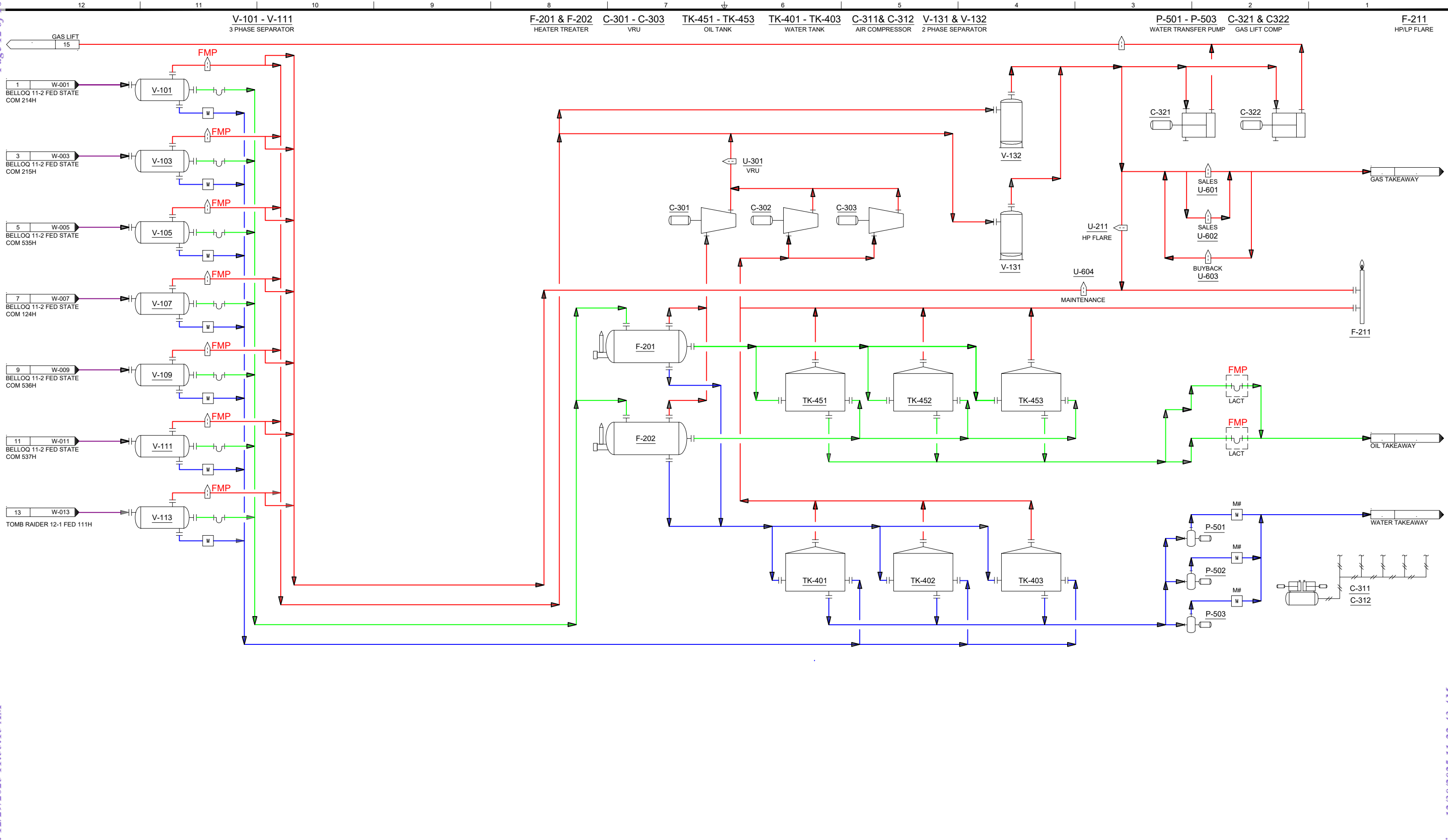
LAT. / LONG. COORDINATES	
GPS: N. _____ -W. _____	
CONFIDENTIAL	
This drawing is the property of Devon Energy. Any reproduction, copying or unauthorized use of this drawing, or any part thereof, without the express written consent of Devon Energy is prohibited.	
DRAWN BY: KR	DATE: 08/19/25
ENGINEERED BY: PM	DATE: 08/18/25
WBS PROJECT No.: 120	
DRAWING No.: 120-02-PFD.dwg	

Devon Energy Corporation
333 West Sheridan Avenue, Oklahoma City, OK 73102-5015

DBBU - SPINE DESIGN - REV 3.1
PROCESS FLOW DIAGRAM
BELLOQ 11 CTB 2 - MESH GAS LIFT

FILE NAME: 120-02-PFD
DWG REV: _____

Printed: 10/6/25
BY: MELLAP
C:\USERS\MELLAP\ONEDRIVE - DEVON ENERGY\CAPITAL PROJECTS\MULTI SITE DOCUMENTS\BELLQ 11 CTB 2 - 120-02-PFD.dwg



NOTES:

	ORIFICE METER		GAS		FULL WELL STREAM
	CORIOLIS METER		OIL		INSTRUMENT AIR
	MAGNETIC METER		WATER		FMP FEDERAL MEASUREMENT POINT

REV	DESCRIPTION	DATE	DRAWN	APPROV
A	INITIAL RELEASE		KR	PM

LAT. / LONG. COORDINATES

GPS:
N. _____ -W. _____

CONFIDENTIAL

This drawing is the property of Devon Energy. Any reproduction, copying or unauthorized use of this drawing, or any part thereof, without the express written consent of Devon Energy is prohibited.

DRAWN BY:	DATE:
KR	08/19/25
ENGINEERED BY:	DATE:
PM	08/18/25
WBS PROJECT No.:	
120	
DRAWING No.:	
120-02-PFD.dwg	



Devon Energy Corporation
333 West Sheridan Avenue, Oklahoma City, OK 73102-5015

DBBU - SPINE DESIGN - REV 3.1
PROCESS FLOW DIAGRAM
BELLOQ 11 CTB 3 - MESH GAS LIFT

FILE NAME:
120-02-PFD

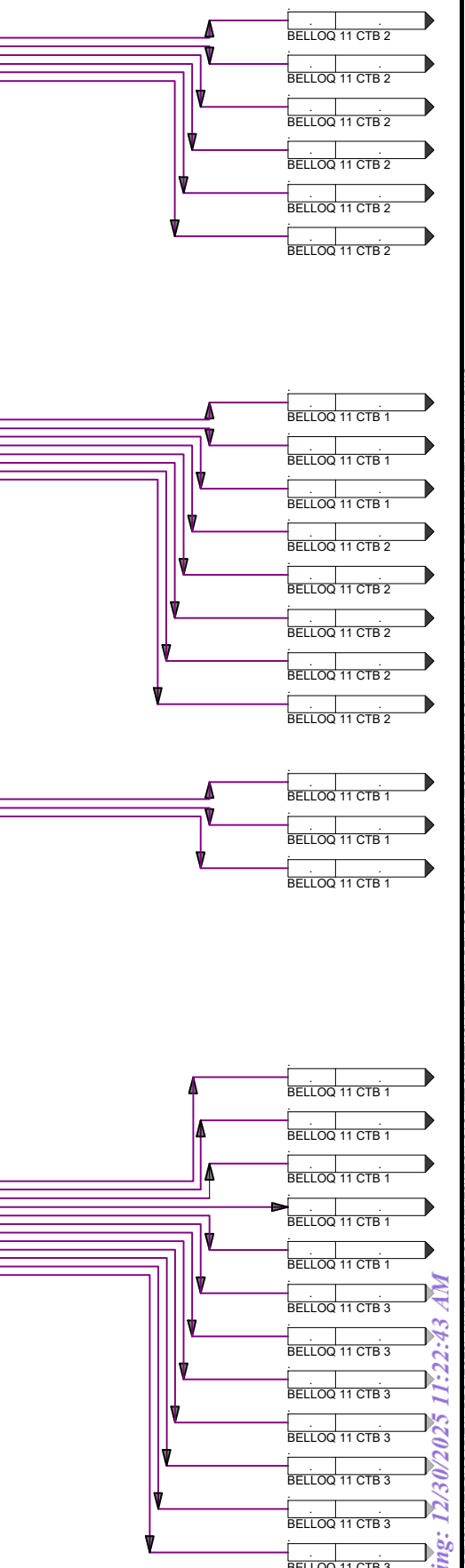
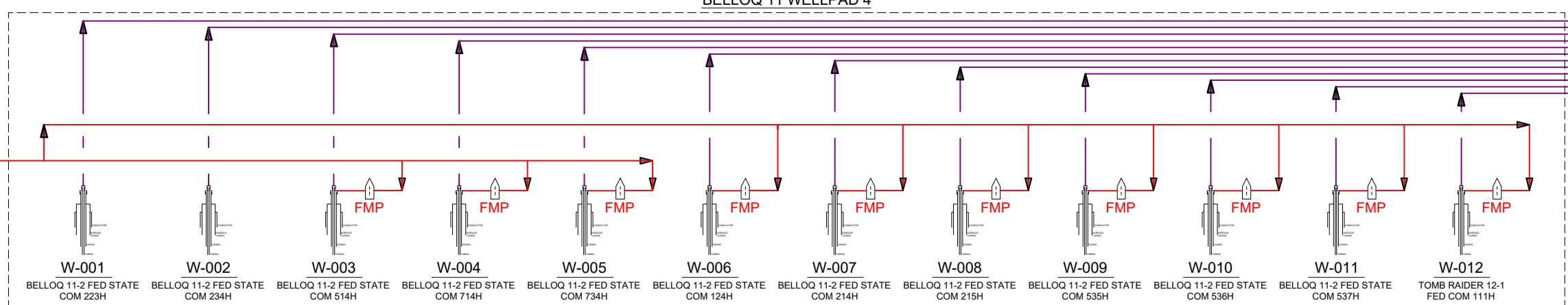
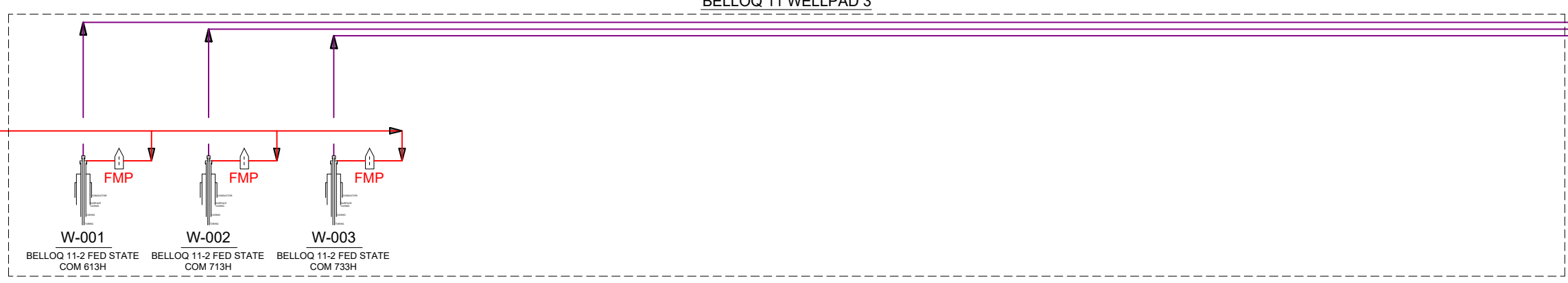
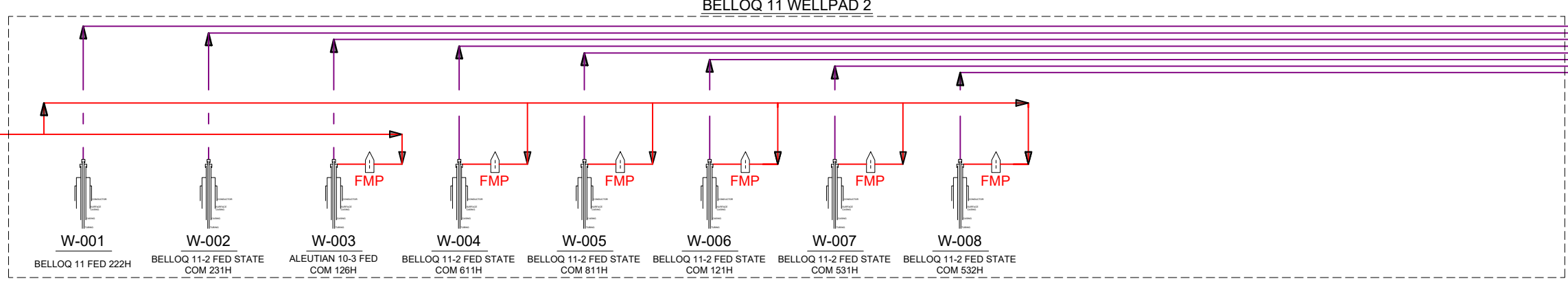
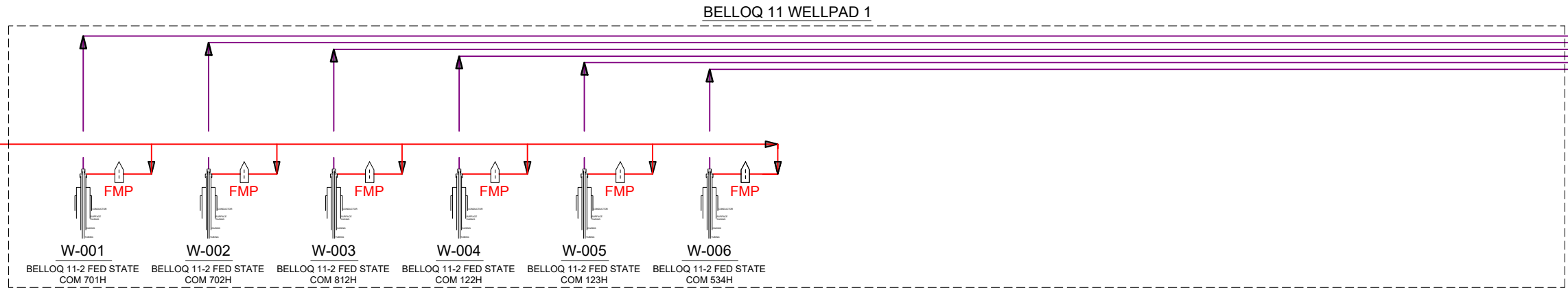
Received by QCD: 12/29/2025 11:55:15 AM

Released to Imaging: 12/30/2025 11:22:43 AM

C:\USERS\MELAPLACION\DRIVE - DEVON ENERGY\CAPITAL PROJECTS\MULTI SITE DOCUMENTS\MESH GAS LIFT SYSTEMS\SALEUTIAN_BELLOQ_TOMB RAIDER\UTOCAD\BELLOQ 11 CTB 3 - 120-01-CLAS\BFB\SAVED\W012\01\01\BELL01.PFD SCALE:0.512:1

BELLOQ 11 CTB 2 GAS LIFT

BELLOQ 11 CTB 3 GAS LIFT



NOTES:

	ORIFICE METER		GAS		FULL WELL STREAM
	CORIOLIS METER		OIL		INSTRUMENT AIR
	MAGNETIC METER		WATER		FMP FEDERAL MEASUREMENT POINT

REV	DESCRIPTION	DATE	DRAWN	APPROV
A	INITIAL RELEASE		KR	PM

LAT. / LONG. COORDINATES	
GPS:	
N. _____ -W. _____	
CONFIDENTIAL	
This drawing is the property of Devon Energy. Any reproduction, copying or unauthorized use of this drawing, or any part thereof, without the express written consent of Devon Energy is prohibited.	
DRAWN BY: KR	DATE: 08/21/25
ENGINEERED BY: PM	DATE: 08/18/25
WBS PROJECT No.: 120	
DRAWING No.: 120-01-PFD.dwg	



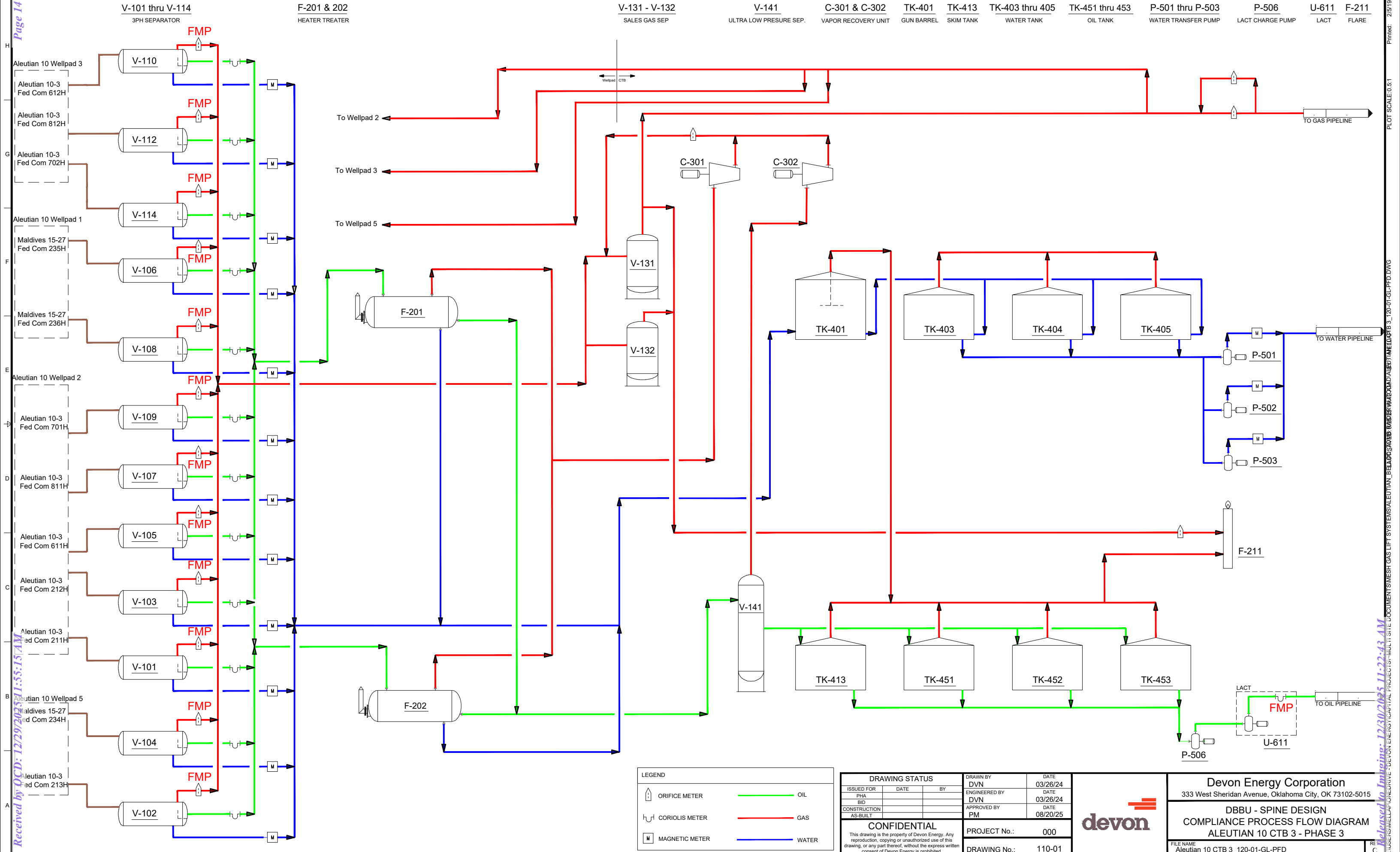
Devon Energy Corporation
 333 West Sheridan Avenue, Oklahoma City, OK 73102-5015

DBBU - SPINE DESIGN - REV 3.1
PROCESS FLOW DIAGRAM
BELLOQ 11 - MESH GAS LIFT

FILE NAME: 120-01-PFD
 DWG REV: _____

Page 14 of 16
Received by QCD: 12/29/2025 11:55:15 AM

12 11 10 9 8 7 6 5 4 3 2 1
 V-101 thru V-114 3PH SEPARATOR
 F-201 & 202 HEATER TREATER
 V-131 - V-132 SALES GAS SEP
 V-141 ULTRA LOW PRESURE SEP.
 C-301 & C-302 VAPOR RECOVERY UNIT
 TK-401 GUN BARREL
 TK-413 SKIM TANK
 TK-403 thru 405 WATER TANK
 TK-451 thru 453 OIL TANK
 P-501 thru P-503 WATER TRANSFER PUMP
 P-506 LACT CHARGE PUMP
 U-611 LACT
 F-211 FLARE



LEGEND

	ORIFICE METER		OIL
	CORIOLIS METER		GAS
	MAGNETIC METER		WATER

DRAWING STATUS			DRAWN BY	DATE
ISSUED FOR	DATE	BY	DVN	03/26/24
PHA			ENGINEERED BY	DATE
BID			DVN	03/26/24
CONSTRUCTION			APPROVED BY	DATE
AS-BUILT			PM	08/20/25
CONFIDENTIAL			PROJECT No.:	000
This drawing is the property of Devon Energy. Any reproduction, copying or unauthorized use of this drawing, or any part thereof, without the express written consent of Devon Energy is prohibited.			DRAWING No.:	110-01



Devon Energy Corporation
 333 West Sheridan Avenue, Oklahoma City, OK 73102-5015

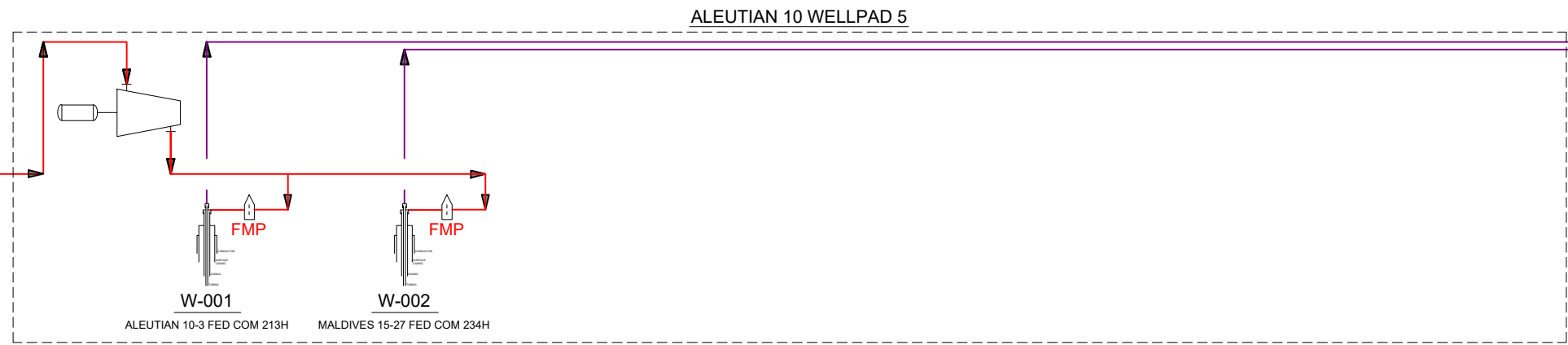
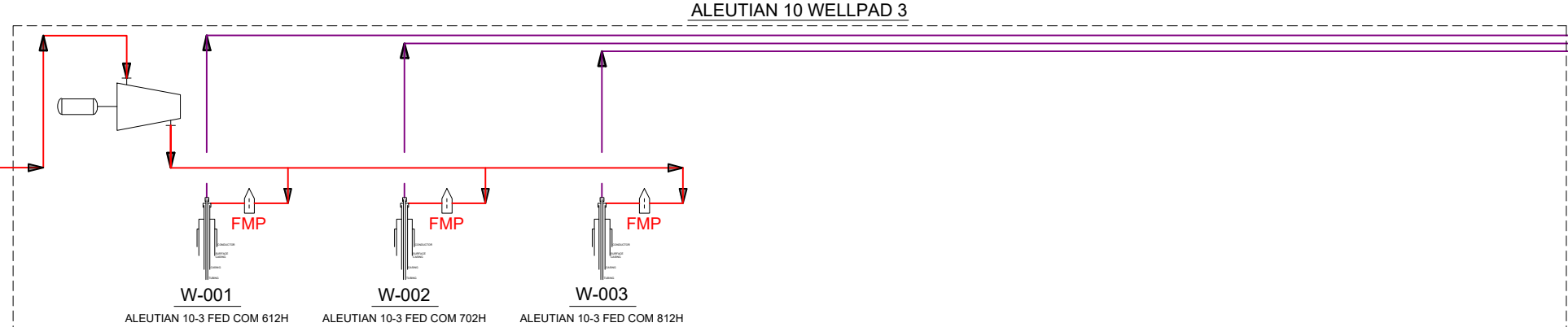
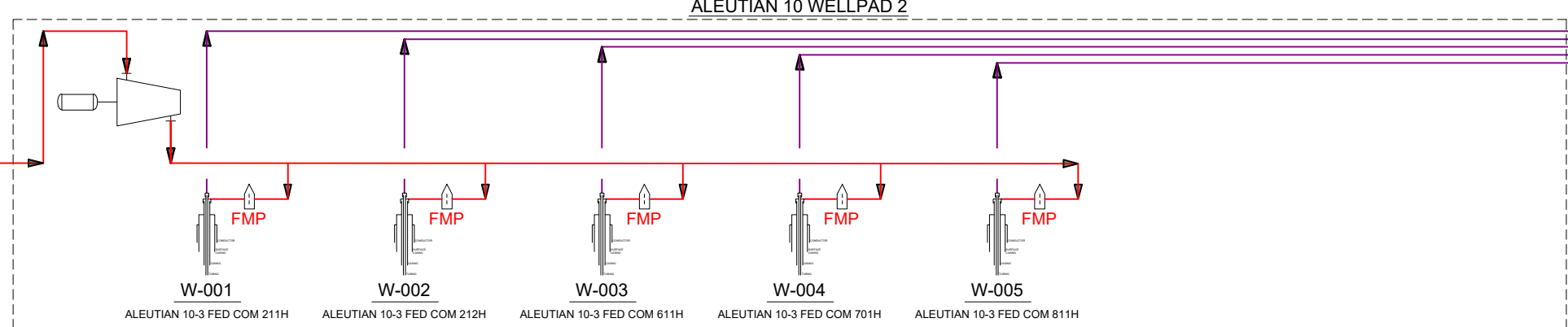
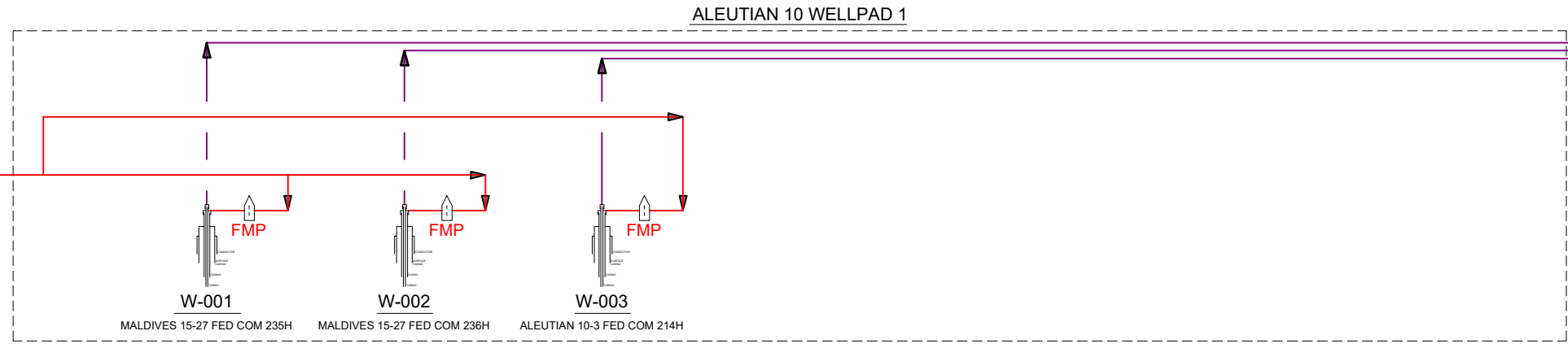
DBBU - SPINE DESIGN
COMPLIANCE PROCESS FLOW DIAGRAM
ALEUTIAN 10 CTB 3 - PHASE 3

FILE NAME: Aleutian 10 CTB 3_120-01-GL-PFD

Printed: 2/6/19
 PLOT SCALE: 0.51
 C:\USERS\WELLMAN\ONE DRIVE\DEVON ENERGY\CAPITAL PROJECTS\MULTI SITE DOCUMENTS\ALEUTIAN_10 CTB 3\PHASE 3\120-01-GL-PFD.DWG

BELLOQ 11 CTB 2 GAS LIFT

ALEUTIAN 10 CTB 3 GAS LIFT



- NOTES:**
- ORIFICE METER
 - CORIOLIS METER
 - MAGNETIC METER
 - GAS
 - OIL
 - WATER
 - FULL WELL STREAM
 - INSTRUMENT AIR
 - FEDERAL MEASUREMENT POINT

REV	DESCRIPTION	DATE	DRAWN	APPROV
A	INITIAL RELEASE		KR	PM

LAT. / LONG. COORDINATES	
GPS:	
N. _____	-W. _____
CONFIDENTIAL	
This drawing is the property of Devon Energy. Any reproduction, copying or unauthorized use of this drawing, or any part thereof, without the express written consent of Devon Energy is prohibited.	
DRAWN BY:	DATE:
KR	08/21/25
ENGINEERED BY:	DATE:
PM	08/18/25
WBS PROJECT No.:	
120	
DRAWING No.:	
120-01-PFD.dwg	



Devon Energy Corporation
 333 West Sheridan Avenue, Oklahoma City, OK 73102-5015

DBBU - SPINE DESIGN - REV 3.1
PROCESS FLOW DIAGRAM
ALEUTIAN 10 CTB 3 - MESH GAS LIFT

FILE NAME: 120-01-PFD
 DWG REV: _____

Sante Fe Main Office
Phone: (505) 476-3441

General Information
Phone: (505) 629-6116

Online Phone Directory
<https://www.emnrd.nm.gov/ocd/contact-us>

State of New Mexico
Energy, Minerals and Natural Resources
Oil Conservation Division
1220 S. St Francis Dr.
Santa Fe, NM 87505

CONDITIONS

Action 538312

CONDITIONS

Operator: DEVON ENERGY PRODUCTION COMPANY, LP 333 West Sheridan Ave. Oklahoma City, OK 73102	OGRID: 6137
	Action Number: 538312
	Action Type: [C-103] Sub. General Sundry (C-103Z)

CONDITIONS

Created By	Condition	Condition Date
dmcclure	ACCEPTED FOR RECORD ONLY; NOI for downhole work shall be submitted as a C-103G; SR for installing downhole equipment shall be submitted as a C-103R.	12/30/2025