

Form 3160-3  
(October 2024)

FORM APPROVED  
OMB No. 1004-0137  
Expires: October 31, 2027

UNITED STATES  
DEPARTMENT OF THE INTERIOR  
BUREAU OF LAND MANAGEMENT  
**APPLICATION FOR PERMIT TO DRILL OR REENTER**

1a. Type of work: <input type="checkbox"/> DRILL <input type="checkbox"/> REENTER		5. Lease Serial No.
1b. Type of Well: <input type="checkbox"/> Oil Well <input type="checkbox"/> Gas Well <input type="checkbox"/> Other		6. If Indian, Allottee or Tribe Name
1c. Type of Completion: <input type="checkbox"/> Hydraulic Fracturing <input type="checkbox"/> Single Zone <input type="checkbox"/> Multiple Zone		7. If Unit or CA Agreement, Name and No.
2. Name of Operator		8. Lease Name and Well No.
3a. Address		9. API Well No. <b>30-015-57748</b>
3b. Phone No. (include area code)		10. Field and Pool, or Exploratory
4. Location of Well (Report location clearly and in accordance with any State requirements. *) At surface At proposed prod. zone		11. Sec., T. R. M. or Blk. and Survey or Area
14. Distance in miles and direction from nearest town or post office*		12. County or Parish
		13. State
15. Distance from proposed* location to nearest property or lease line, ft. (Also to nearest drig. unit line, if any)	16. No of acres in lease	17. Spacing Unit dedicated to this well
18. Distance from proposed location* to nearest well, drilling, completed, applied for, on this lease, ft.	19. Proposed Depth	20. BLM/BIA Bond No. in file
21. Elevations (Show whether DF, KDB, RT, GL, etc.)	22. Approximate date work will start*	23. Estimated duration
24. Attachments		

The following, completed in accordance with the requirements of Onshore Oil and Gas Order No. 1, and the Hydraulic Fracturing rule per 43 CFR 3162.3-3 (as applicable)

- |  |   |
|--|---|
| 1. Well plat certified by a registered surveyor.   | 4. Bond to cover the operations unless covered by an existing bond on file (see Item 20 above). |
| 2. A Drilling Plan.  | 5. Operator certification.  |
| 3. A Surface Use Plan (if the location is on National Forest System Lands, the SUPO must be filed with the appropriate Forest Service Office). | 6. Such other site specific information and/or plans as may be requested by the BLM.            |

25. Signature	Name (Printed/Typed)	Date
Title		
Approved by (Signature)	Name (Printed/Typed)	Date
Title	Office	

Application approval does not warrant or certify that the applicant holds legal or equitable title to those rights in the subject lease which would entitle the applicant to conduct operations thereon.  
Conditions of approval, if any, are attached.

Title 18 U.S.C. Section 1001 and Title 43 U.S.C. Section 1212, make it a crime for any person knowingly and willfully to make to any department or agency of the United States any false, fictitious or fraudulent statements or representations as to any matter within its jurisdiction.



(Continued on page 2)

\*(Instructions on page 2)

C-102  Submit Electronically Via OCD Permitting	State of New Mexico Energy, Minerals & Natural Resources Department <b>OIL CONSERVATION DIVISION</b>		Revised September 16, 2024	
	Submit Type:	<input checked="" type="checkbox"/> Initial Submittal		
		<input type="checkbox"/> Amended Report		
			<input type="checkbox"/> As Drilled	

**WELL LOCATION INFORMATION**

API Number <b>30-015-57748</b>	Pool Code 98220	Pool Name <b>PURPLE SAGE;WOLFCAMP (GAS)</b>
Property Code <b>338780</b>	Property Name <b>WAR CLUB 3-4 FED COM</b>	Well Number 821H
OGRID No. 6137	Operator Name <b>DEVON ENERGY PRODUCTION COMPANY, L.P.</b>	Ground Level Elevation 3131.8'
Surface Owner: <input type="checkbox"/> State <input type="checkbox"/> Fee <input type="checkbox"/> Tribal <input checked="" type="checkbox"/> Federal		Mineral Owner: <input type="checkbox"/> State <input checked="" type="checkbox"/> Fee <input type="checkbox"/> Tribal <input checked="" type="checkbox"/> Federal

**Surface Location**

UL	Section	Township	Range	Lot	Ft. from N/S	Ft. from E/W	Latitude	Longitude	County
	3	22-S	27-E	1	877' N	400' E	32.426800	104.170299	EDDY

**Bottom Hole Location**

UL	Section	Township	Range	Lot	Ft. from N/S	Ft. from E/W	Latitude	Longitude	County
	4	22-S	27-E	4	660' N	20' W	32.427310	104.203347	EDDY

Dedicated Acres 639.26	Infill or Defining Well INFILL	Defining Well API WAR CLUB 3-4 FED COM 622H	Overlapping Spacing Unit (Y/N) NO	Consolidation Code C
Order Numbers <b>PENDING NSL</b>			Well setbacks are under Common Ownership: <input type="checkbox"/> Yes <input checked="" type="checkbox"/> No	

**Kick Off Point (KOP)**

UL	Section	Township	Range	Lot	Ft. from N/S	Ft. from E/W	Latitude	Longitude	County
	3	22-S	27-E	1	660' N	48' E	32.4273	104.1692	EDDY

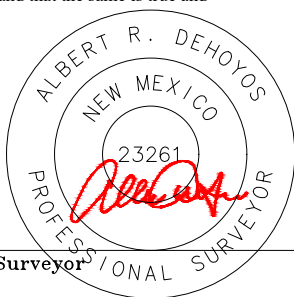
**First Take Point (FTP)**

UL	Section	Township	Range	Lot	Ft. from N/S	Ft. from E/W	Latitude	Longitude	County
	3	22-S	27-E	1	660' N	100' E	32.427401	104.169315	EDDY

**Last Take Point (LTP)**

UL	Section	Township	Range	Lot	Ft. from N/S	Ft. from E/W	Latitude	Longitude	County
	4	22-S	27-E	4	660' N	100' W	32.427311	104.203087	EDDY

	Spacing Unit Type Horizontal Vertical HORIZONTAL	Ground Floor Elevation:
--	---	-------------------------

<p><b>OPERATOR CERTIFICATIONS</b></p> <p>I hereby certify that the information contained herein is true and complete to the best of my knowledge and belief, and, if the well is a vertical or directional well, that this organization either owns a working interest or unleased mineral interest in the land including the proposed bottom hole location or has a right to drill this well at this location pursuant to a contract with an owner of a working interest or unleased mineral interest, or to a voluntary pooling agreement or a compulsory pooling order heretofore entered by the division.</p> <p>If this well is a horizontal well, I further certify that this organization has received the consent of at least one lessee or owner of a working interest or unleased mineral interest in each tract (in the target pool or formation) in which any part of the well's completed interval will be located or obtained a compulsory pooling order from the division.</p>	<p><b>SURVEYOR CERTIFICATIONS</b></p> <p>I hereby certify that the well location shown on this plat was plotted from field notes of actual surveys made by me or under supervision, and that the same is true and correct to the best of my belief.</p> <div style="text-align: center;">  </div>	
Signature <i>Shandee Thomas</i>	Date 9/24/24	Signature and Seal of Professional Surveyor
Printed Name Shandee Thomas	Email Address Shandee.Thomas@dvn.com	Certificate Number 23261
		Date of Survey 4/2024



State of New Mexico  
 Energy, Minerals and Natural Resources Department

Submit Electronically  
 Via E-permitting

Oil Conservation Division  
 1220 South St. Francis Dr.  
 Santa Fe, NM 87505

## NATURAL GAS MANAGEMENT PLAN

This Natural Gas Management Plan must be submitted with each Application for Permit to Drill (APD) for a new or recompleted well.

### Section 1 – Plan Description Effective May 25, 2021

**I. Operator:** DEVON ENERGY PRODUCTION COMPANY, LP **OGRID:** 6137 **Date:** 09 /12 / 2024

**II. Type:**  Original  Amendment due to  19.15.27.9.D(6)(a) NMAC  19.15.27.9.D(6)(b) NMAC  Other.

If Other, please describe: \_\_\_\_\_

**III. Well(s):** Provide the following information for each new or recompleted well or set of wells proposed to be drilled or proposed to be recompleted from a single well pad or connected to a central delivery point.

Well Name	API	ULSTR	Footages	Anticipated Oil BBL/D	Anticipated Gas MCF/D	Anticipated Produced Water BBL/D
See attachment						

**IV. Central Delivery Point Name:** See attachment [See 19.15.27.9(D)(1) NMAC]

**V. Anticipated Schedule:** Provide the following information for each new or recompleted well or set of wells proposed to be drilled or proposed to be recompleted from a single well pad or connected to a central delivery point.

Well Name	API	Spud Date	TD Reached Date	Completion Commencement Date	Initial Flow Back Date	First Production Date
See attachment						

**VI. Separation Equipment:**  Attach a complete description of how Operator will size separation equipment to optimize gas capture.

**VII. Operational Practices:**  Attach a complete description of the actions Operator will take to comply with the requirements of Subsection A through F of 19.15.27.8 NMAC.

**VIII. Best Management Practices:**  Attach a complete description of Operator’s best management practices to minimize venting during active and planned maintenance.

**NATURAL GAS MANAGEMENT PLAN**  
**Section 1 - Plan Description**

**III. Well(s):** Provide the following information for each new or recompleted well or set of wells proposed to be drilled or proposed to be recompleted from a single well pad or connected to a central delivery point.

Well Name	API	ULSTR & FOOTAGE	Anticipated Gas/Oil/Water	Central Delivery Point Name:
WAR CLUB 2-3 FED COM 113H	n/a	2-22S-27E, 1523 FSL & 2078 FWL	(+/-)1625mcf/(+/-)694bopd/(+/-)2172bwpd	WAR CLUB 2 CTB 3
WAR CLUB 2-3 FED COM 114H	n/a	2-22S-27E, 1433 FSL & 2075 FWL	(+/-)1625mcf/(+/-)694bopd/(+/-)2172bwpd	WAR CLUB 2 CTB 3
WAR CLUB 2-3 FED COM 223H	n/a	2-22S-27E, 1493 FSL & 2077 FWL	(+/-)1625mcf/(+/-)694bopd/(+/-)2172bwpd	WAR CLUB 2 CTB 3
WAR CLUB 2-3 FED COM 224H	n/a	2-22S-27E, 1403 FSL & 2075 FWL	(+/-)1625mcf/(+/-)694bopd/(+/-)2172bwpd	WAR CLUB 2 CTB 3
WAR CLUB 2-3 FED COM 303H	n/a	2-22S-27E, 1463 FSL & 2076 FWL	(+/-)2194mcf/(+/-)973bopd/(+/-)2965bwpd	WAR CLUB 2 CTB 3
WAR CLUB 2-3 FED COM 304H	n/a	2-22S-27E, 1373 FSL & 2074 FWL	(+/-)2194mcf/(+/-)973bopd/(+/-)2965bwpd	WAR CLUB 2 CTB 3
WAR CLUB 2-3 FED COM 623H	n/a	2-22S-27E, 1463 FSL & 2376 FWL	(+/-)2995mcf/(+/-)1245bopd/(+/-)3115bwpd	WAR CLUB 2 CTB 3
WAR CLUB 2-3 FED COM 624H	n/a	2-22S-27E, 1373 FSL & 2374 FWL	(+/-)2995mcf/(+/-)1245bopd/(+/-)3115bwpd	WAR CLUB 2 CTB 3
WAR CLUB 2-3 FED COM 823H	n/a	2-22S-27E, 1523 FSL & 2378 FWL	(+/-)6778mcf/(+/-)626bopd/(+/-)2539bwpd	WAR CLUB 2 CTB 3
WAR CLUB 2-3 FED COM 824H	n/a	2-22S-27E, 1433 FSL & 2375 FWL	(+/-)6778mcf/(+/-)626bopd/(+/-)2539bwpd	WAR CLUB 2 CTB 3
WAR CLUB 2-3 FED COM 913H	n/a	2-22S-27E, 1493 FSL & 2377 FWL	(+/-)6778mcf/(+/-)626bopd/(+/-)2539bwpd	WAR CLUB 2 CTB 3
WAR CLUB 2-3 FED COM 914H	n/a	2-22S-27E, 1403 FSL & 2375 FWL	(+/-)6778mcf/(+/-)626bopd/(+/-)2539bwpd	WAR CLUB 2 CTB 3
WAR CLUB 3-4 FED COM 111H	n/a	3-22S-27E, 870 FNL & 700 FEL	(+/-)1625mcf/(+/-)694bopd/(+/-)2172bwpd	WAR CLUB 3 CTB 1
WAR CLUB 3-4 FED COM 112H	n/a	3-22S-27E, 960 FNL & 700 FEL	(+/-)1625mcf/(+/-)694bopd/(+/-)2172bwpd	WAR CLUB 3 CTB 1
WAR CLUB 3-4 FED COM 221H	n/a	3-22S-27E, 900 FNL & 700 FEL	(+/-)1625mcf/(+/-)694bopd/(+/-)2172bwpd	WAR CLUB 3 CTB 1
WAR CLUB 3-4 FED COM 222H	n/a	3-22S-27E, 990 FNL & 700 FEL	(+/-)1625mcf/(+/-)694bopd/(+/-)2172bwpd	WAR CLUB 3 CTB 1
WAR CLUB 3-4 FED COM 301H	n/a	3-22S-27E, 930 FNL & 700 FEL	(+/-)2194mcf/(+/-)973bopd/(+/-)2965bwpd	WAR CLUB 3 CTB 1
WAR CLUB 3-4 FED COM 302H	n/a	3-22S-27E, 1020 FNL & 700 FEL	(+/-)2194mcf/(+/-)973bopd/(+/-)2965bwpd	WAR CLUB 3 CTB 1
WAR CLUB 3-4 FED COM 620H	n/a	3-22S-27E, 847 FNL & 400 FEL	(+/-)2995mcf/(+/-)1245bopd/(+/-)3115bwpd	WAR CLUB 3 CTB 1
WAR CLUB 3-4 FED COM 621H	n/a	3-22S-27E, 937 FNL & 400 FEL	(+/-)2995mcf/(+/-)1245bopd/(+/-)3115bwpd	WAR CLUB 3 CTB 1
WAR CLUB 3-4 FED COM 622H	n/a	3-22S-27E, 1027 FNL & 400 FEL	(+/-)2995mcf/(+/-)1245bopd/(+/-)3115bwpd	WAR CLUB 3 CTB 1
WAR CLUB 3-4 FED COM 821H	n/a	3-22S-27E, 877 FNL & 400 FEL	(+/-)6778mcf/(+/-)626bopd/(+/-)2539bwpd	WAR CLUB 3 CTB 1
WAR CLUB 3-4 FED COM 822H	n/a	3-22S-27E, 967 FNL & 400 FEL	(+/-)6778mcf/(+/-)626bopd/(+/-)2539bwpd	WAR CLUB 3 CTB 1
WAR CLUB 3-4 FED COM 911H	n/a	3-22S-27E, 907 FNL & 400 FEL	(+/-)6778mcf/(+/-)626bopd/(+/-)2539bwpd	WAR CLUB 3 CTB 1
WAR CLUB 3-4 FED COM 912H	n/a	3-22S-27E, 997 FNL & 400 FEL	(+/-)6778mcf/(+/-)626bopd/(+/-)2539bwpd	WAR CLUB 3 CTB 1

**V. Anticipated Schedule:** Provide the following information for each new or recompleted well or set of wells proposed to be drilled or proposed to be recompleted from a single well pad or connected to a central delivery point.

Well Name	API	Spud Date	TD Reached Date	Completion Commencement Date	Initial Flow back Date	First Production Date
WAR CLUB 2-3 FED COM 113H	n/a	10/23/2025	11/22/2025	3/22/2026	3/22/2026	3/22/2026
WAR CLUB 2-3 FED COM 114H	n/a	10/23/2025	11/22/2025	3/22/2026	3/22/2026	3/22/2026
WAR CLUB 2-3 FED COM 223H	n/a	10/23/2025	11/22/2025	3/22/2026	3/22/2026	3/22/2026
WAR CLUB 2-3 FED COM 224H	n/a	10/23/2025	11/22/2025	3/22/2026	3/22/2026	3/22/2026
WAR CLUB 2-3 FED COM 303H	n/a	10/23/2025	11/22/2025	3/22/2026	3/22/2026	3/22/2026
WAR CLUB 2-3 FED COM 304H	n/a	10/23/2025	11/22/2025	3/22/2026	3/22/2026	3/22/2026
WAR CLUB 2-3 FED COM 623H	n/a	10/4/2025	11/3/2025	3/3/2026	3/3/2026	3/3/2026
WAR CLUB 2-3 FED COM 624H	n/a	8/29/2025	9/28/2025	1/26/2026	1/26/2026	1/26/2026
WAR CLUB 2-3 FED COM 823H	n/a	9/14/2025	10/14/2025	2/11/2026	2/11/2026	2/11/2026
WAR CLUB 2-3 FED COM 824H	n/a	10/23/2025	11/22/2025	3/22/2026	3/22/2026	3/22/2026
WAR CLUB 2-3 FED COM 913H	n/a	10/23/2025	11/22/2025	3/22/2026	3/22/2026	3/22/2026
WAR CLUB 2-3 FED COM 914H	n/a	10/23/2025	11/22/2025	3/22/2026	3/22/2026	3/22/2026
WAR CLUB 3-4 FED COM 111H	n/a	10/23/2025	11/22/2025	3/22/2026	3/22/2026	3/22/2026
WAR CLUB 3-4 FED COM 112H	n/a	10/23/2025	11/22/2025	3/22/2026	3/22/2026	3/22/2026
WAR CLUB 3-4 FED COM 221H	n/a	10/23/2025	11/22/2025	3/22/2026	3/22/2026	3/22/2026
WAR CLUB 3-4 FED COM 222H	n/a	10/23/2025	11/22/2025	3/22/2026	3/22/2026	3/22/2026
WAR CLUB 3-4 FED COM 301H	n/a	10/23/2025	11/22/2025	3/22/2026	3/22/2026	3/22/2026
WAR CLUB 3-4 FED COM 302H	n/a	10/23/2025	11/22/2025	3/22/2026	3/22/2026	3/22/2026
WAR CLUB 3-4 FED COM 620H	n/a	10/23/2025	11/22/2025	3/22/2026	3/22/2026	3/22/2026
WAR CLUB 3-4 FED COM 621H	n/a	10/23/2025	11/22/2025	3/22/2026	3/22/2026	3/22/2026
WAR CLUB 3-4 FED COM 622H	n/a	9/15/2025	10/15/2025	2/12/2026	2/12/2026	2/12/2026
WAR CLUB 3-4 FED COM 821H	n/a	8/27/2025	9/26/2025	1/24/2026	1/24/2026	1/24/2026
WAR CLUB 3-4 FED COM 822H	n/a	10/3/2025	11/2/2025	3/2/2026	3/2/2026	3/2/2026
WAR CLUB 3-4 FED COM 911H	n/a	10/23/2025	11/22/2025	3/22/2026	3/22/2026	3/22/2026
WAR CLUB 3-4 FED COM 912H	n/a	10/23/2025	11/22/2025	3/22/2026	3/22/2026	3/22/2026

\* Dates subject to change

**Section 2 – Enhanced Plan**

**EFFECTIVE APRIL 1, 2022**

Beginning April 1, 2022, an operator that is not in compliance with its statewide natural gas capture requirement for the applicable reporting area must complete this section.

Operator certifies that it is not required to complete this section because Operator is in compliance with its statewide natural gas capture requirement for the applicable reporting area.

**IX. Anticipated Natural Gas Production:**

Well	API	Anticipated Average Natural Gas Rate MCF/D	Anticipated Volume of Natural Gas for the First Year MCF

**X. Natural Gas Gathering System (NGGS):**

Operator	System	ULSTR of Tie-in	Anticipated Gathering Start Date	Available Maximum Daily Capacity of System Segment Tie-in

**XI. Map.**  Attach an accurate and legible map depicting the location of the well(s), the anticipated pipeline route(s) connecting the production operations to the existing or planned interconnect of the natural gas gathering system(s), and the maximum daily capacity of the segment or portion of the natural gas gathering system(s) to which the well(s) will be connected.

**XII. Line Capacity.** The natural gas gathering system  will  will not have capacity to gather 100% of the anticipated natural gas production volume from the well prior to the date of first production.

**XIII. Line Pressure.** Operator  does  does not anticipate that its existing well(s) connected to the same segment, or portion, of the natural gas gathering system(s) described above will continue to meet anticipated increases in line pressure caused by the new well(s).

Attach Operator’s plan to manage production in response to the increased line pressure.

**XIV. Confidentiality:**  Operator asserts confidentiality pursuant to Section 71-2-8 NMSA 1978 for the information provided in Section 2 as provided in Paragraph (2) of Subsection D of 19.15.27.9 NMAC, and attaches a full description of the specific information for which confidentiality is asserted and the basis for such assertion.

### Section 3 - Certifications

Effective May 25, 2021

Operator certifies that, after reasonable inquiry and based on the available information at the time of submittal:

Operator will be able to connect the well(s) to a natural gas gathering system in the general area with sufficient capacity to transport one hundred percent of the anticipated volume of natural gas produced from the well(s) commencing on the date of first production, taking into account the current and anticipated volumes of produced natural gas from other wells connected to the pipeline gathering system; or

D Operator will not be able to connect to a natural gas gathering system in the general area with sufficient capacity to transport one hundred percent of the anticipated volume of natural gas produced from the well(s) commencing on the date of first production, taking into account the current and anticipated volumes of produced natural gas from other wells connected to the pipeline gathering system.

***If Operator checks this box, Operator will select one of the following:***

**Well Shut-In.**  Operator will shut-in and not produce the well until it submits the certification required by Paragraph (4) of Subsection D of 19.15.27.9 NMAC; or

**Venting and Flaring Plan.**  Operator has attached a venting and flaring plan that evaluates and selects one or more of the potential alternative beneficial uses for the natural gas until a natural gas gathering system is available, including:

- (a) power generation on lease;
- (b) power generation for grid;
- (c) compression on lease;
- (d) liquids removal on lease;
- (e) reinjection for underground storage;
- (f) reinjection for temporary storage;
- (g) reinjection for enhanced oil recovery;
- (h) fuel cell production; and
- (i) other alternative beneficial uses approved by the division.

### Section 4 - Notices

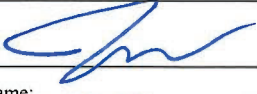
1. If, at any time after Operator submits this Natural Gas Management Plan and before the well is spud:

(a) Operator becomes aware that the natural gas gathering system it planned to connect the well(s) to has become unavailable or will not have capacity to transport one hundred percent of the production from the well(s), no later than 20 days after becoming aware of such information, Operator shall submit for OCD's approval a new or revised venting and flaring plan containing the information specified in Paragraph (5) of Subsection D of 19.15.27.9 NMAC; or

(b) Operator becomes aware that it has, cumulatively for the year, become out of compliance with its baseline natural gas capture rate or natural gas capture requirement, no later than 20 days after becoming aware of such information, Operator shall submit for OCD's approval a new or revised Natural Gas Management Plan for each well it plans to spud during the next 90 days containing the information specified in Paragraph (2) of Subsection D of 19.15.27.9 NMAC, and shall file an update for each Natural Gas Management Plan until Operator is back in compliance with its baseline natural gas capture rate or natural gas capture requirement.

2. OCD may deny or conditionally approve an APD if Operator does not make a certification, fails to submit an adequate venting and flaring plan which includes alternative beneficial uses for the anticipated volume of natural gas produced, or if OCD determines that Operator will not have adequate natural gas takeaway capacity at the time a well will be spud.

I certify that, after reasonable inquiry, the statements in and attached to this Natural Gas Management Plan are true and correct to the best of my knowledge and acknowledge that a false statement may be subject to civil and criminal penalties under the Oil and Gas Act.

Signature:	
Printed Name:	Jeffrey Walla
Title:	Surface Land & Regulatory Manager
E-mail Address:	jeff.walla@dvn.com
Date:	
Phone:	(405) 552-8154
<b>OIL CONSERVATION DIVISION</b> (Only applicable when submitted as a standalone form)	
Approved By:	
Title:	
Approval Date:	
Conditions of Approval:	



## VI. Separation Equipment

Devon Energy Production Company, L.P. utilizes a "stage separation" process in which oil and gas separation is carried out through a series of separators operating at successively reduced pressures. Hydrocarbon liquids are produced into a high-pressure inlet separator, then carried through one or more lower pressure separation vessels before entering the storage tanks. The purpose of this separation process is to attain maximum recovery of liquid hydrocarbons from the fluids and allow maximum capture of produced gas into the sales pipeline. Devon utilizes a series of Low-Pressure Compression units to capture gas off the staged separation and send it to the sales pipeline. This process minimizes the amount of flash gas that enters the end-stage storage tanks that is subsequently vented or flared.



## VII. Operational Practices

Devon Energy Production Company, L. P. will employ best management practices and control technologies to maximize the recovery and minimize waste of natural gas through venting and flaring.

- During drilling operations, Devon will utilize flares and/or combustors to capture and control natural gas, where technically feasible. If flaring is deemed technically in-feasible, Devon will employ best management practices to minimize or reduce venting to the extent possible.
- During completions operations, Devon will utilize Green Completion methods to capture gas produced during well completions that is otherwise vented or flared. If capture is technically in-feasible, flares and/or combustors will be used to capture and control flow back fluids entering into frac tanks during initial flowback. Upon indication of first measurable hydrocarbon volumes, Devon will turn operations to onsite separation vessels and flow to the gathering pipeline.
- During production operations, Devon will take every practical effort to minimize waste of natural gas through venting and flaring by:
  - Designing and constructing facilities in a manner consistent to achieve maximum capture and control of hydrocarbon liquids & produced gas
  - Utilizing a closed-loop capture system to collect and route produced gas to sales line via low pressure compression, or to a flare/combustor
  - Flaring in lieu of venting, where technically feasible
  - Utilizing auto-ignitors or continuous pilots, with thermocouples connected to Scada, to quickly detect and resolve issues related to malfunctioning flares/combustors
  - Employ the use of automatic tank gauging to minimize storage tank venting during loading events
  - Installing air-driven or electric-driven pneumatics & combustion engines, where technically feasible to minimize venting to the atmosphere
  - Confirm equipment is properly maintained and repaired through a preventative maintenance and repair program to ensure equipment meets all manufacturer specifications
  - Conduct and document AVO inspections on the frequency set forth in Part 27 to detect and repair any onsite leaks as quickly and efficiently as is feasible



#### VIII. Best Management Practices during Maintenance

Devon Energy Production Company, L.P. will utilize best management practices to minimize venting during active and planned maintenance activities. Devon is operating under guidance that production facilities permitted under NOI permits have no provisions to allow high pressure flaring and high pressure flaring is only allowed in disruption scenarios so long as the duration is less than eight hours. When technically feasible, flaring during maintenance activities will be utilized in lieu of venting to the atmosphere. Devon will work with third-party operators during scheduled maintenance of downstream pipeline or processing plants to address those events ahead of time to minimize venting. Actions considered include identifying alternative capture approaches or planning to temporarily reduce production or shut in the well to address these circumstances.



Devon Energy Production Company, L.P.  
 333 W. Sheridan Avenue  
 Oklahoma City, Oklahoma  
 73102  
 Phone: (405) 228-4800

### WASTE MINIMIZATION PLAN

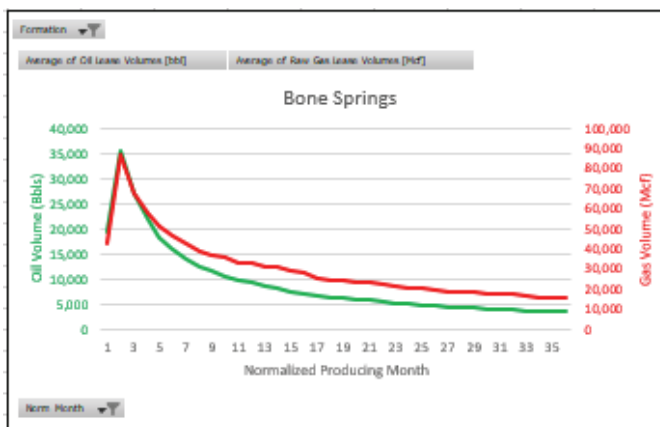
Per 89 FR 25378 - Waste Prevention, Production Subject to Royalties, and Resource Conservation, requirements:

- (1) initial oil production estimates and decline,
- (2) initial gas production estimates and decline,
- (3) certification that the operator has an executed gas sales contract to sell 100 percent of the produced oil-well gas, and
- (4) any other information demonstrating the operator's plans to avoid the waste of gas.

(1), (2) 3 year Oil and Gas decline curves: Bone Spring and Wolfcamp formation decline curves below supply Year 1, 2, 3 cumulative values for oil and gas, in range format; based on peak IP rates for oil and gas based on Devon Energy Production Company, L.P. operated wells ID post 1/2019, 10K LL norm, P90-10 ranges, annualized rates. Please refer to NGMP for table of initial oil and gas volumes.

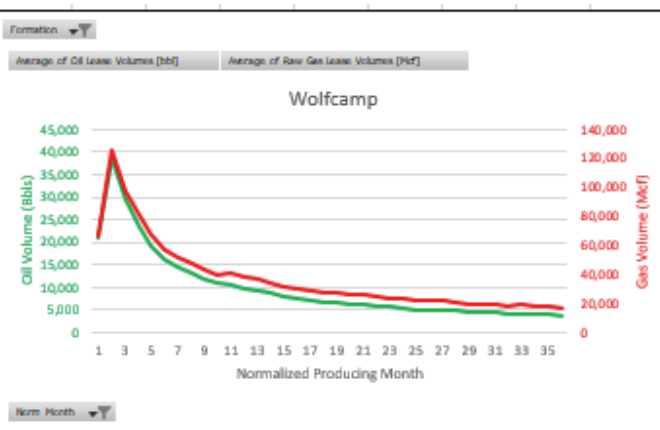
Bone Spring

Formation	BONE SPRING		
Row Labels	Average of Oil Lease Volumes [bbl]	Average of Raw Gas Lease Volumes [McF]	
1	19,315	42,532	
2	25,835	96,620	
3	27,075	67,525	
4	21,078	57,655	
5	10,980	51,655	
6	15,920	46,275	
7	13,959	42,295	
8	12,424	38,696	
9	11,573	37,367	
10	10,659	35,824	
11	9,741	33,980	
12	9,337	33,094	
13	8,588	30,966	
14	8,233	30,638	
15	7,655	29,293	
16	7,196	27,837	
17	6,769	25,691	
18	6,391	24,902	
19	6,288	24,863	
20	6,010	23,769	
21	5,776	23,100	
22	5,411	22,178	
23	5,101	21,196	
24	5,029	20,988	
25	4,740	20,122	
26	4,629	19,322	
27	4,478	18,623	
28	4,424	18,634	
29	4,241	18,585	
30	4,184	18,114	
31	4,105	17,870	
32	3,938	17,440	
33	3,782	16,732	
34	3,649	16,145	
35	3,576	15,571	
36	3,596	15,727	
<b>Grand Total</b>	<b>9,261</b>	<b>30,347</b>	



Wolfcamp

Formation	WOLF CAMP		
Row Labels	Average of Oil Lease Volumes [bbl]	Average of Raw Gas Lease Volumes [McF]	
1	20,900	66,190	
2	28,636	125,577	
3	29,291	97,071	
4	23,540	81,026	
5	19,277	67,504	
6	16,103	57,289	
7	14,454	51,967	
8	13,003	47,226	
9	11,979	43,012	
10	10,994	40,270	
11	10,469	40,336	
12	9,779	37,823	
13	9,240	36,371	
14	8,824	34,874	
15	7,883	31,771	
16	7,462	29,738	
17	7,007	29,445	
18	6,647	27,480	
19	6,636	27,791	
20	6,399	26,310	
21	6,154	26,419	
22	5,936	25,044	
23	5,670	24,154	
24	5,393	23,334	
25	5,160	22,102	
26	5,074	22,069	
27	4,988	21,678	
28	4,824	21,024	
29	4,637	19,807	
30	4,480	19,172	
31	4,373	18,370	
32	4,218	18,642	
33	4,201	18,901	
34	3,995	17,966	
35	3,930	17,586	
36	3,815	16,957	
<b>Grand Total</b>	<b>9,895</b>	<b>37,006</b>	



(3) Certification (NGMP Section 3 – Certification): Operator (Devon Energy Production Company, L.P.) will be able to connect the well(s) to a natural gas gathering system in the general area with sufficient capacity to transport one hundred percent of the anticipated volume of natural gas produced from the well(s) commencing on the date of first production, taking into account the current and anticipated volumes of produced natural gas from other wells connected to the pipeline gathering system;

(4) Addl waste avoidance information: Refer to NGMP Sec. VII. Operational Practices & VIII. Best Management Practices during Maintenance



WAR CLUB 3-4 FED COM 821H

**2. Casing Program (Primary Design)**

Hole Size	Csg. Size	Wt (PPF)	Grade	Conn	Casing Interval		Casing Interval	
					From (MD)	To (MD)	From (TVD)	To (TVD)
14 3/4	10 3/4	45 1/2	J-55	BTC	0	291	0	291
9 7/8	8 5/8	32	P110HSCY	MOFXL	0	8868	0	8868
7 7/8	5 1/2	20	P110EC	DWC/IS-C+	0	19863	0	9262

•All casing strings will be tested in accordance with 43 CFR 3172. Must have table for contingency casing.

**3. Cementing Program**

Assuming no returns are established while drilling, Devon requests to pump a two stage cement job on the intermediate casing string with the first stage being pumped conventionally with the calculated top of cement at the Brushy Canyon and the second stage performed as a bradenhead squeeze with planned cement from the Brushy Canyon to surface. The final cement top will be verified by Echo-meter. Devon will include the Echo-meter verified fluid top and the volume of displacement fluid above the cement slurry in the annulus in all post-drill sundries on wells utilizing this cement program. Devon will report to the BLM the volume of fluid (limited to 1 bbls) used to flush intermediate casing valves following backside cementing procedures.

Casing	# Sks	TOC	Wt. ppg	Yld (ft3/sack)	Slurry Description
Surface	193	Surf	13.2	1.44	Lead: Class C Cement + additives
Int 1	284	Surf	13.0	2.3	2nd State: Bradenhead Squeeze - Lead: Class C Cement + additives
	563	4011	13.2	1.44	Tail: Class H / C + additives
Production	117	6968	9	3.27	Lead: Class H / C + additives
	1442	8968	13.2	1.44	Tail: Class H / C + additives

Casing String	% Excess
Surface	50%
Intermediate 1	30%
Prod	10%

WAR CLUB 3-4 FED COM 821H

**4. Pressure Control Equipment (Three String Design)**

BOP installed and tested before drilling which hole?		Size?	Min. Required WP	Type	✓	Tested to:
Int 1	13-5/8"	5M	Annular	X	50% of rated working pressure	
			Blind Ram	X		
			Pipe Ram			
			Double Ram	X		
			Other*			
Production	13-5/8"	5M	Annular (5M)	X	50% of rated working pressure	
			Blind Ram	X		
			Pipe Ram			
			Double Ram	X		
			Other*			
			Annular (5M)			
			Blind Ram			
			Pipe Ram			
			Double Ram			
			Other*			
N	A variance is requested for the use of a diverter on the surface casing. See attached for schematic.					
Y	A variance is requested to run a 5 M annular on a 10M system					

WAR CLUB 3-4 FED COM 821H

**5. Mud Program (Three String Design)**

Section	Type	Weight (ppg)
Surface	FW Gel	8.5-9
Intermediate	DBE / Cut Brine	10-10.5
Production	OBM	10-10.5

Sufficient mud materials to maintain mud properties and meet minimum lost circulation and weight increase requirements will be kept on location at all times.

What will be used to monitor the loss or gain of fluid?	PVT/Pason/Visual Monitoring
---	-----------------------------

**6. Logging and Testing Procedures**

Logging, Coring and Testing	
X	Will run GR/CNL from TD to surface (horizontal well - vertical portion of hole). Stated logs run will be in the Completion Report and submitted to the BLM.
	No logs are planned based on well control or offset log information.
	Drill stem test? If yes, explain.
	Coring? If yes, explain.

Additional logs planned	Interval
Resistivity	Int. shoe to KOP
Density	Int. shoe to KOP
X CBL	Production casing
X Mud log	Intermediate shoe to TD
PEX	

**7. Drilling Conditions**

Condition	Specify what type and where?
BH pressure at deepest TVD	5057
Abnormal temperature	No

Mitigation measure for abnormal conditions. Describe. Lost circulation material/sweeps/mud scavengers.

Hydrogen Sulfide (H2S) monitors will be installed prior to drilling out the surface shoe. If H2S is detected in concentrations greater than 100 ppm, the operator will comply with the provisions of 43 CFR 3176. If Hydrogen Sulfide is encountered measured values and formations will be provided to the BLM.	
N	H2S is present
Y	H2S plan attached.

WAR CLUB 3-4 FED COM 821H

**8. Other facets of operation**

Is this a walking operation? Potentially

- 1 If operator elects, drilling rig will batch drill the surface holes and run/cement surface casing; walking the rig to next wells on the pad.
- 2 The drilling rig will then batch drill the intermediate sections and run/cement intermediate casing; the wellbore will be isolated with a blind flange and pressure gauge installed for monitoring the well before walking to the next well.
- 3 The drilling rig will then batch drill the production hole sections on the wells with OBM, run/cement production casing, and install TA caps or tubing heads for completions.

NOTE: During batch operations the drilling rig will be moved from well to well however, it will not be removed from the pad until all wells have production casing run/cemented.

Will be pre-setting casing? Potentially

- 1 Spudder rig will move in and batch drill surface hole.
  - a. Rig will utilize fresh water based mud to drill surface hole to TD. Solids control will be handled entirely on a closed loop basis.,
- 2 After drilling the surface hole section, the spudder rig will run casing and cement following all of the applicable rules and regulations (43 CFR 3172, all COAs and NMOCD regulations).
- 3 The wellhead will be installed and tested once the surface casing is cut off and the WOC time has been reached.
- 4 A blind flange with the same pressure rating as the wellhead will be installed to seal the wellbore. Pressure will be monitored with a pressure gauge installed on the wellhead.
- 5 Spudder rig operations is expected to take 4-5 days per well on a multi-well pa.
- 6 The NMOCD will be contacted and notified 24 hours prior to commencing spudder rig operations.
- 7 Drilling operations will be performed with drilling rig. A that time an approved BOP stack will be nipped up and tested on the wellhead before drilling operations commences on each well.
  - a. The NMOCD will be contacted / notified 24 hours before the drilling rig moves back on to the pad with the pre-set surface casing.

Attachments

- Directional Plan
- Other, describe

## Section 2 - Blowout Preventer Testing Procedure

### Variance Request

Devon Energy requests to only test BOP connection breaks while skidding between wells which conforms to API Standard 53 and industry standards. The initial BOP test will follow 43 CFR 3172, and subsequent tests following a skid will only test connections that are broken. This test will at minimum include the Top Pipe Ram, HCR, Kill Line Check Valve, QDC (quick disconnect to wellhead) and BOP shell of the 10M BOPE to 5M for 10 minutes. Additional pressure testing is required for pressure-containing and pressure-controlling connections when the integrity of a pressure seal is broken. If a break to the flex hose that runs to the choke manifold is required due to repositioning from a skid, the HCR will remain open during the shell test to include that additional break. This variance will meet or exceed 43 CFR 3172 per the following: Devon Energy will perform a full BOP test per 43 CFR 3172 before starting the first intermediate casing string(s) and starting the first production hole on a pad, testing the Annular during initial BOP testing to a minimum of 70% RWP and higher than MASP, and pressure testing at a 21-day interval frequency. The BLM will be contacted 4hrs prior to a BOPE test. The BLM will be notified if and when a well control event is encountered. In the event break testing is not utilized, then a full BOPE test would be conducted.

Devon Energy requests to perform offline BOP stump testing and offline BOPE testing. All pressure-containing and pressure-controlling seals will be tested either online or offline as denoted in the table below and per BLM approval during initial BOP test following test pressure requirements set forth in 43 CFR 3172. Remaining components not tested offline or on the stump will be tested within 72-hours when the BOP is connected to the wellhead. If stump testing exceeds 72-hour window prior to connecting to the wellhead, the BLM will be notified and either stump testing restarted, or the BOP being tested online. The BLM will be contacted 4hrs prior to a BOPE test. The BLM will be notified if and when a well control event is encountered. In the event stump testing is not utilized, then a full BOPE test would be conducted.

Components	Offline	Offline, BOPE	Break	Online
Upper Rams		X	X	X
Blind Rams		X		X
Lower Rams				X
Outside Kill Valve		X	X	X
Inside Kill Valve		X	X	X
Kill Line Check Valve		X	X	X
Inside Choke Valve		X	X	X
HCR		X	X	X
Kill Line	X			X
Annular		X		X
Choke Manifold Valves and Hose	X			X
Mudline (Mud Pumps, Rig Floor Valves, Kelly Hose, Mud Line)	X			X
Standpipe Valve	X			X
IBOP (Upper and Lower)	X			X

Devon requests offline BOPE testing of components: Upper Rams, Blind Rams, Kill Valves, Choke Valves, and Annular

Remaining well control equipment components will either be tested offline or online, per BLM approval

Remaining BOPE will be tested online within 72-hours from completing the offline BOPE component testing

Notify the BLM if the online BOPE testing exceeds 72-hours

All Full Tests not completed "Offline" or "Offline, BOPE" are required to be completed Online

Devon requests Break Testing as stated above for 5K tests

Annular Preventer will be tested to minimum of 70% RWP and higher than MASP during initial BOP test

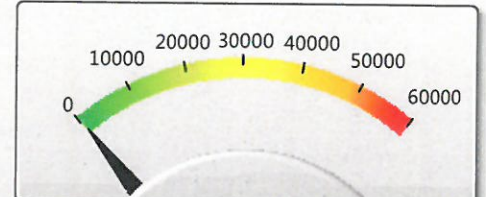
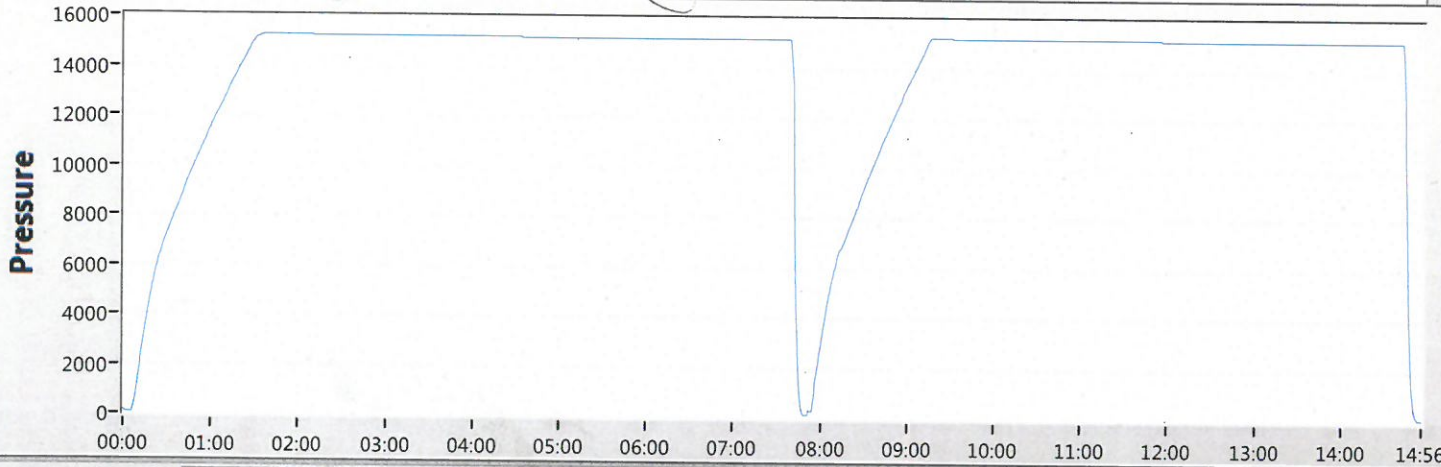
If interval PCE WP requirements are greater than 5M, break testing will not be performed

**Cactus**  
**Wellhead**

2-9-17  
E Bell

80.7 °F

15:49



50

Date 02-09-17

Tested By E.BELL

Transducer bay2

Transducer Serial 181504

Calibration Date 9/6/15

Job#	Part#	Serial#	Description	Test Pressure
1	TRJ0006341-0007 116966	TRJ6341-7-1	ADPT,DRLG,CW,MBU-3T,13-5/8 10M	15000
2				
3				
4				
5			TRANSDUCER CALIBRATION DUE 03/13/2017	
6				
7				
8				

Start Stop Zero Config Save Print EXIT

## **Offline Cementing**

### Variance Request

Devon Energy requests to offline cement on intermediate strings that are set in formations shallower than the Wolfcamp. Prior to commencing offline cementing operations, the well will be monitored for any abnormal pressures and confirmed to be static. A dual manifold system (equipped with chokes) for the returns will also be utilized as a redundancy. All equipment used for offline cementing will have a minimum 5M rating to match intermediate sections' 5M BOPE requirements.



---

Devon Energy Production Company, L.P.  
333 W. Sheridan Avenue  
Oklahoma City, Oklahoma  
73102  
Phone: (405) 228-4800

### PFAS Certification Statement

Per 19.15.7.16 NMAC , Order R-23824, Devon Energy Production Company, L.P./WPX certifies no addition of PFAS chemicals to fluids used in the completion or recompletion of the subject well.

## **Devon Energy** **APD VARIANCE DATA**

**OPERATOR NAME:** Devon Energy

### **1. SUMMARY OF Variance:**

Devon Energy respectfully requests approval for the following additions to the drilling plan:

1. Potential utilization of a spudder rig to pre-set surface casing.

### **2. Description of Operations**

1. A spudder rig contractor may move in their rig to drill the surface hole section and pre-set surface casing on this well.
  - a. After drilling the surface hole section, the rig will run casing and cement following all of the applicable rules and regulations (OnShore Order 2, all COAs and NMOCD regulations).
  - b. Rig will utilize fresh water based mud to drill surface hole to TD.
2. The wellhead will be installed and tested once the surface casing is cut off and the WOC time has been reached.
3. A blind flange with the same pressure rating as the wellhead will be installed to seal the wellbore. Pressure will be monitored with needle valves installed on two wingvalves.
  - a. A means for intervention will be maintained while the drilling rig is not over the well.
4. The BLM will be contacted and notified 24 hours prior to commencing spudder rig operations.
5. Drilling operation will be performed with the big rig. At that time an approved BOP stack will be nipped up and tested on the wellhead before drilling operations commences on each well.
  - a. The BLM will be contacted / notified 24 hours before the big rig moves back on to the pad with the pre-set surface casing.
6. Devon Energy will have supervision on the rig to ensure compliance with all BLM and NMOCD regulations and to oversee operations.
7. Once the rig is removed, Devon Energy will secure the wellhead area by placing a guard rail around the cellar area.



# Drilling Plan Data Report

U.S. Department of the Interior  
BUREAU OF LAND MANAGEMENT

11/18/2025

**APD ID:** 10400101198

**Submission Date:** 09/25/2024

Highlighted data reflects the most recent changes

**Operator Name:** DEVON ENERGY PRODUCTION COMPANY LP

**Well Name:** WAR CLUB 3-4 FED COM

**Well Number:** 821H

**Well Type:** OIL WELL

**Well Work Type:** Drill

[Show Final Text](#)

## Section 1 - Geologic Formations

Formation ID	Formation Name	Elevation	True Vertical	Measured Depth	Lithologies	Mineral Resources	Producing Formatio
16798124	UNKNOWN	3132	0	0	OTHER : Surface	NONE	N
16798125	RUSTLER	2866	266	266	SANDSTONE	NONE	N
16798126	TOP SALT	2715	417	417	SALT	NONE	N
16798134	BASE OF SALT	2396	736	736	ANHYDRITE	NONE	N
16798135	LAMAR	2161	971	971	SANDSTONE	NATURAL GAS, OIL	N
16798137	DELAWARE	916	2216	2216	SHALE	NATURAL GAS, OIL	N
16798138	CHERRY CANYON	211	2921	2921	SANDSTONE	NATURAL GAS, OIL	N
16798123	BRUSHY CANYON	-844	3976	3976	SANDSTONE	NATURAL GAS, OIL	N
16798132	BONE SPRING LIME	-2228	5360	5360	LIMESTONE	NATURAL GAS, OIL	N
16798130	BONE SPRING	-3452	6584	6584	SANDSTONE	NATURAL GAS, OIL	N
16798133	BONE SPRING 2ND	-4245	7377	7377	SANDSTONE	NATURAL GAS, OIL	N
16798143	BONE SPRING LIME	-4457	7589	7589	LIMESTONE	NATURAL GAS, OIL	N
16798144	BONE SPRING 3RD	-5438	8570	8570	SANDSTONE	NATURAL GAS, OIL	N
16798145	WOLFCAMP	-5774	8906	8906	SHALE	NATURAL GAS, OIL	Y
16798146	STRAWN	-7068	10200	10200	LIMESTONE	NATURAL GAS, OIL	N

## Section 2 - Blowout Prevention



Commitment Runs Deep



Design Plan  
Operation and Maintenance Plan  
Closure Plan

SENM - Closed Loop Systems  
June 2010

## I. Design Plan

Devon uses MI SWACO closed loop system (CLS). The MI SWACO CLS is designed to maintain drill solids at or below 5%. The equipment is arranged to progressively remove solids from the largest to the smallest size. Drilling fluids can thus be reused and savings is realized on mud and disposal costs. Dewatering may be required with the centrifuges to insure removal of ultra fine solids.

The drilling location is constructed to allow storm water to flow to a central sump normally the cellar. This insures no contamination leaves the drilling pad in the event of a spill. Storm water is reused in the mud system or stored in a reserve fluid tank farm until it can be reused. All lubricants, oils, or chemicals are removed immediately from the ground to prevent the contamination of storm water. An oil trap is normally installed on the sump if an oil spill occurs during a storm.

A tank farm is utilized to store drilling fluids including fresh water and brine fluids. The tank farm is constructed on a 20 ml plastic lined, bermed pad to prevent the contamination of the drilling site during a spill. Fluids from other sites may be stored in these tanks for processing by the solids control equipment and reused in the mud system. At the end of the well the fluids are transported from the tank farm to an adjoining well or to the next well for the rig.

Prior to installing a closed-loop system on site, the topsoil, if present, will be stripped and stockpiled for use as the final cover or fill at the time of closure.

Signs will be posted on the fence surrounding the closed-loop system unless the closed-loop system is located on a site where there is an existing well, that is operated by Devon.

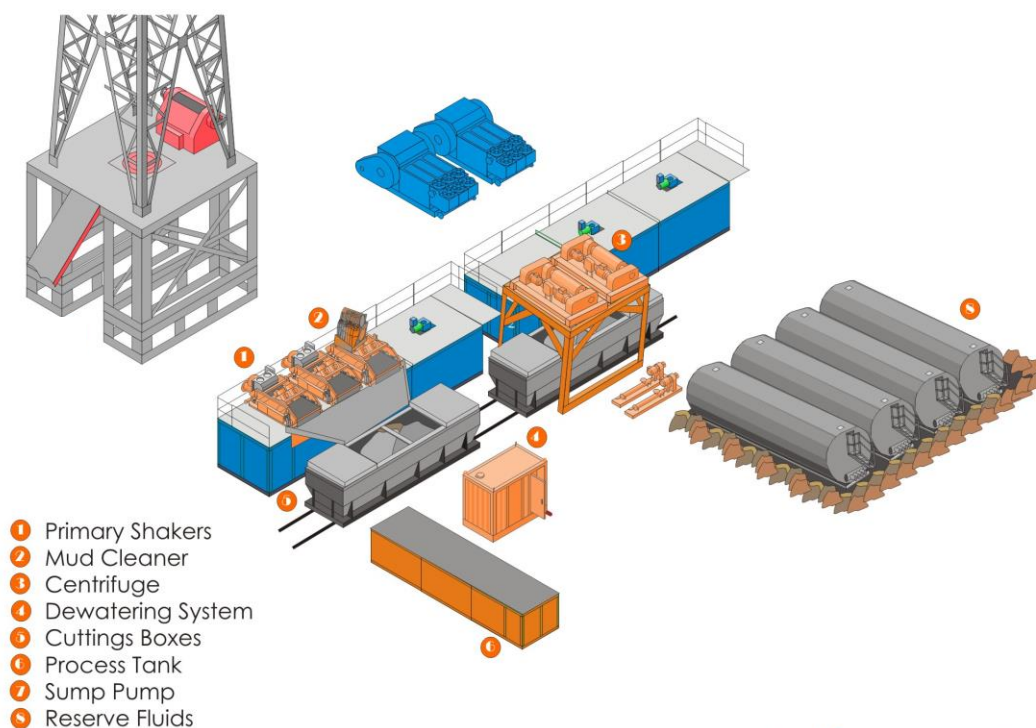
## II. Operations and Maintenance Plan

*Primary Shakers:* The primary shakers make the first removal of drill solids from the drilling mud as it leaves the well bore. The shakers are sized to handle maximum drilling rate at optimal screen size. The shakers normally remove solids down to 74 microns.

**Mud Cleaner:** The Mud Cleaner cleans the fluid after it leaves the shakers. A set of hydrocyclones are sized to handle 1.25 to 1.5 times the maximum circulating rate. This ensures all the fluid is being processed to an average cut point of 25 microns. The wet discharged is dewatered on a shaker equipped with ultra fine mesh screens and generally cut at 40 microns.



## Closed Loop Schematic



**Centrifuges:** The centrifuges can be one or two in number depending on the well geometry or depth of well. The centrifuges are sized to maintain low gravity solids at 5% or below. They may or may not need a dewatering system to enhance the removal rates. The centrifuges can make a cut point of 8-10 microns depending on bowl speed, feed rate, solids loading and other factors.

The centrifuge system is designed to work on the active system and be flexible to process incoming fluids from other locations. This set-up is also dependant on well factors.

**Dewatering System:** The dewatering system is a chemical mixing and dosing system designed to enhance the solids removal of the centrifuge. Not commonly used in shallow wells. It may contain pH adjustment, coagulant mixing and dosing, and polymer mixing and dosing. Chemical flocculation binds ultra fine solids into a mass that is within the centrifuge operating design. The

dewatering system improves the centrifuge cut point to infinity or allows for the return of clear water or brine fluid. This ability allows for the ultimate control of low gravity solids.

*Cuttings Boxes:* Cuttings boxes are utilized to capture drill solids that are discarded from the solids control equipment. These boxes are set upon a rail system that allows for the removal and replacement of a full box of cuttings with an empty one. They are equipped with a cover that insures no product is spilled into the environment during the transportation phase.

*Process Tank:* (Optional) The process tank allows for the holding and process of fluids that are being transferred into the mud system. Additionally, during times of lost circulation the process tank may hold active fluids that are removed for additional treatment. It can further be used as a mixing tank during well control conditions.

*Sump and Sump Pump:* The sump is used to collect storm water and the pump is used to transfer this fluid to the active system or to the tank for to hold in reserve. It can also be used to collect fluids that may escape during spills. The location contains drainage ditches that allow the location fluids to drain to the sump.

*Reserve Fluids (Tank Farm):* A series of frac tanks are used to replace the reserve pit. These are steel tanks that are equipped with a manifold system and a transfer pump. These tanks can contain any number of fluids used during the drilling process. These can include fresh water, cut brine, and saturated salt fluid. The fluid can be from the active well or reclaimed fluid from other locations. A 20 ml liner and berm system is employed to ensure the fluids do not migrate to the environment during a spill.

If a leak develops, the appropriate division district office will be notified within 48 hours of the discovery and the leak will be addressed. Spill prevention is accomplished by maintaining pump packing, hoses, and pipe fittings to insure no leaks are occurring. During an upset condition the source of the spill is isolated and repaired as soon as it is discovered. Free liquid is removed by a diaphragm pump and returned to the mud system. Loose topsoil may be used to stabilize the spill and the contaminated soil is excavated and placed in the cuttings boxes. After the well is finished and the rig has moved, the entire location is scrapped and testing will be performed to determine if a release has occurred.

All trash is kept in a wire mesh enclosure and removed to an approved landfill when full. All spent motor oils are kept in separate containers and they are removed and sent to an approved recycling center. Any spilled lubricants, pipe

dope, or regulated chemicals are removed from soil and sent to landfills approved for these products.

These operations are monitored by Mi Swaco service technicians. Daily logs are maintained to ensure optimal equipment operation and maintenance. Screen and chemical use is logged to maintain inventory control. Fluid properties are monitored and recorded and drilling mud volumes are accounted for in the mud storage farm. This data is kept for end of well review to insure performance goals are met. Lessons learned are logged and used to help with continuous improvement.

A MI SWACO field supervisor manages from 3-5 wells. They are responsible for training personnel, supervising installations, and inspecting sites for compliance of MI SWACO safety and operational policy.

### **III. Closure Plan**

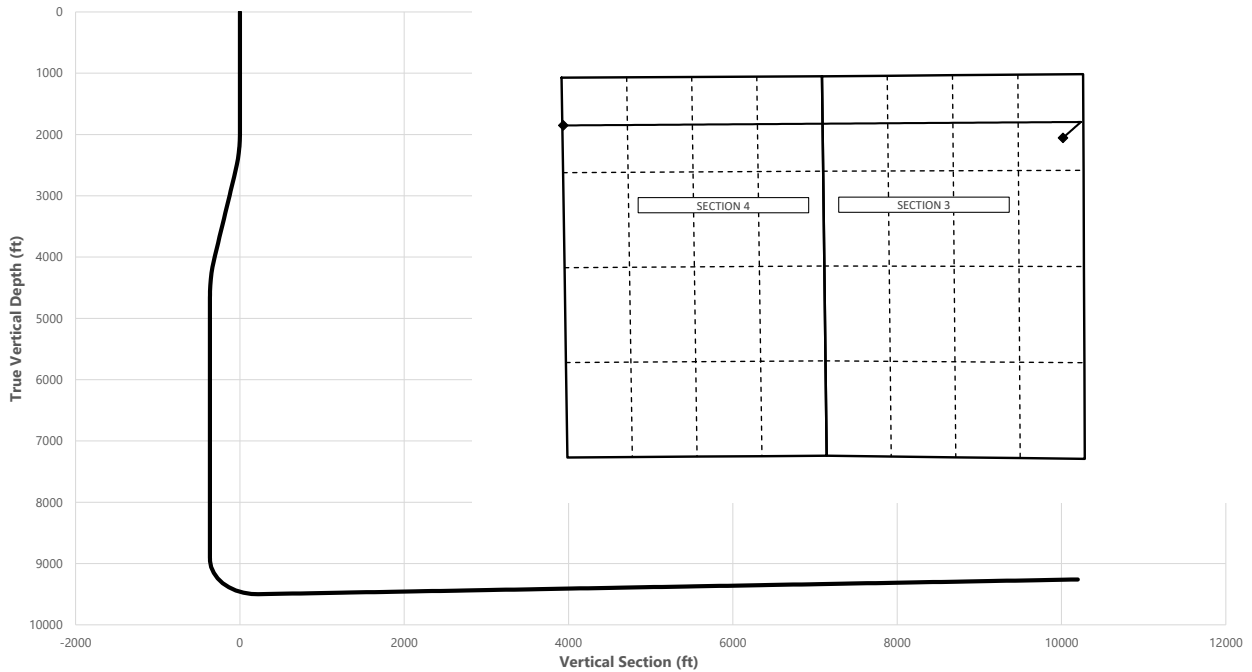
A maximum 340' X 340' caliche pad is built per well. All of the trucks and steel tanks fit on this pad. All fluid cuttings go to the steel tanks to be hauled by various trucking companies to an agency approved disposal.



Well: WAR CLUB 3-4 FED COM 821H  
 County: Eddy  
 Wellbore: Permit Plan  
 Design: Permit Plan #1

Geodetic System: US State Plane 1983  
 Datum: North American Datum 1927  
 Ellipsoid: Clarke 1866  
 Zone: 3001 - NM East (NAD83)

MD (ft)	INC (°)	AZI (°)	TVD (ft)	NS (ft)	EW (ft)	VS (ft)	DLS (°/100ft)	Comment
0.00	0.00	0.00	0.00	0.00	0.00	0.00	0.00	SHL
2000.00	0.00	59.20	2000.00	0.00	0.00	0.00	0.00	Start Tangent
2600.00	12.00	59.20	2595.62	32.06	53.77	-53.23	2.00	Hold Tangent
4060.97	12.00	59.20	4024.66	187.59	314.68	-311.48	0.00	Drop to Vertical
4660.97	0.00	59.20	4620.29	219.64	368.46	-364.71	2.00	Hold Vertical
8967.89	0.00	269.74	8927.21	219.64	368.46	-364.71	0.00	KOP
9881.66	91.38	269.74	9500.00	216.98	-218.27	221.89	10.00	Landing Point
19863.26	91.38	269.74	9260.00	171.70	-10196.88	10198.33	0.00	BHL



Key Depths	MD (ft)	TVD (ft)
Rustler	266.00	266.00
Salt	417.00	417.00
Base of Salt	736.00	736.00
Delaware	2216.21	2216.00
Cherry Canyon	2932.65	2921.00
Brushy Canyon	4011.22	3976.00
1st Bone Spring Lime	5400.68	5360.00
Bone Spring 1st	6624.68	6584.00
Bone Spring 2nd	7417.68	7377.00
3rd Bone Spring Lime	7629.68	7589.00
Bone Spring 3rd	8610.68	8570.00
Wolfcamp / Point of Penetration	8946.68	8906.00
exit	19783.26	9261.94

	MD (ft)	TVD (ft)	Lat (°)	Long (°)	Section Footages
SHL	0.00	0.00	32.4267	-104.1704	877' FNL, 400' FEL of Sec 3 in T22S, R27E
KOP	8967.89	8927.21	32.4273	-104.1692	660' FNL, 48' FEL of Sec 3 in T22S, R27E
Point of Penetration	8946.68	8906.00	32.4274	-104.1693	660' FNL, 100' FEL of Sec 3 in T22S, R27E
Exit	19783.26	9261.94	32.4273	-104.2031	660' FNL, 100' FWL of Sec 4 in T22S, R27E
BHL	19863.26	9260.00	32.4272	-104.2034	660' FNL, 20' FWL of Sec 4 in T22S, R27E

	Y	X	MD
KOP	519259	592009	8967.89



Well: WAR CLUB 3-4 FED COM 821H  
 County: Eddy  
 Wellbore: Permit Plan  
 Design: Permit Plan #1

Geodetic System: US State Plane 1983  
 Datum: North American Datum 1927  
 Ellipsoid: Clarke 1866  
 Zone: 3001 - NM East (NAD83)

MD (ft)	INC (°)	AZI (°)	TVD (ft)	NS (ft)	EW (ft)	VS (ft)	DLS (°/100ft)	Comment
0.00	0.00	0.00	0.00	0.00	0.00	0.00	0.00	SHL
100.00	0.00	59.20	100.00	0.00	0.00	0.00	0.00	
200.00	0.00	59.20	200.00	0.00	0.00	0.00	0.00	
266.00	0.00	59.20	266.00	0.00	0.00	0.00	0.00	Rustler
300.00	0.00	59.20	300.00	0.00	0.00	0.00	0.00	
400.00	0.00	59.20	400.00	0.00	0.00	0.00	0.00	
417.00	0.00	59.20	417.00	0.00	0.00	0.00	0.00	Salt
500.00	0.00	59.20	500.00	0.00	0.00	0.00	0.00	
600.00	0.00	59.20	600.00	0.00	0.00	0.00	0.00	
700.00	0.00	59.20	700.00	0.00	0.00	0.00	0.00	
736.00	0.00	59.20	736.00	0.00	0.00	0.00	0.00	Base of Salt
800.00	0.00	59.20	800.00	0.00	0.00	0.00	0.00	
900.00	0.00	59.20	900.00	0.00	0.00	0.00	0.00	
1000.00	0.00	59.20	1000.00	0.00	0.00	0.00	0.00	
1100.00	0.00	59.20	1100.00	0.00	0.00	0.00	0.00	
1200.00	0.00	59.20	1200.00	0.00	0.00	0.00	0.00	
1300.00	0.00	59.20	1300.00	0.00	0.00	0.00	0.00	
1400.00	0.00	59.20	1400.00	0.00	0.00	0.00	0.00	
1500.00	0.00	59.20	1500.00	0.00	0.00	0.00	0.00	
1600.00	0.00	59.20	1600.00	0.00	0.00	0.00	0.00	
1700.00	0.00	59.20	1700.00	0.00	0.00	0.00	0.00	
1800.00	0.00	59.20	1800.00	0.00	0.00	0.00	0.00	
1900.00	0.00	59.20	1900.00	0.00	0.00	0.00	0.00	
2000.00	0.00	59.20	2000.00	0.00	0.00	0.00	0.00	Start Tangent
2100.00	2.00	59.20	2099.98	0.89	1.50	-1.48	2.00	
2200.00	4.00	59.20	2199.84	3.57	5.99	-5.93	2.00	
2216.21	4.32	59.20	2216.00	4.18	7.00	-6.93	2.00	Delaware
2300.00	6.00	59.20	2299.45	8.04	13.48	-13.34	2.00	
2400.00	8.00	59.20	2398.70	14.28	23.95	-23.70	2.00	
2500.00	10.00	59.20	2497.47	22.29	37.38	-37.00	2.00	
2600.00	12.00	59.20	2595.62	32.06	53.77	-53.23	2.00	Hold Tangent
2700.00	12.00	59.20	2693.44	42.70	71.63	-70.90	0.00	
2800.00	12.00	59.20	2791.25	53.35	89.49	-88.58	0.00	
2900.00	12.00	59.20	2889.07	63.99	107.35	-106.26	0.00	
2932.65	12.00	59.20	2921.00	67.47	113.18	-112.03	0.00	Cherry Canyon
3000.00	12.00	59.20	2986.88	74.64	125.21	-123.93	0.00	
3100.00	12.00	59.20	3084.70	85.29	143.07	-141.61	0.00	
3200.00	12.00	59.20	3182.51	95.93	160.93	-159.29	0.00	
3300.00	12.00	59.20	3280.33	106.58	178.78	-176.96	0.00	
3400.00	12.00	59.20	3378.14	117.22	196.64	-194.64	0.00	
3500.00	12.00	59.20	3475.96	127.87	214.50	-212.32	0.00	
3600.00	12.00	59.20	3573.77	138.51	232.36	-230.00	0.00	
3700.00	12.00	59.20	3671.59	149.16	250.22	-247.67	0.00	
3800.00	12.00	59.20	3769.40	159.81	268.08	-265.35	0.00	
3900.00	12.00	59.20	3867.22	170.45	285.94	-283.03	0.00	
4000.00	12.00	59.20	3965.03	181.10	303.80	-300.70	0.00	
4011.22	12.00	59.20	3976.00	182.29	305.80	-302.69	0.00	Brushy Canyon
4060.97	12.00	59.20	4024.66	187.59	314.68	-311.48	0.00	Drop to Vertical
4100.00	11.22	59.20	4062.90	191.61	321.43	-318.16	2.00	
4200.00	9.22	59.20	4161.31	200.70	336.67	-333.24	2.00	
4300.00	7.22	59.20	4260.28	208.02	348.95	-345.40	2.00	
4400.00	5.22	59.20	4359.68	213.56	358.25	-354.61	2.00	
4500.00	3.22	59.20	4459.41	217.33	364.57	-360.86	2.00	
4600.00	1.22	59.20	4559.33	219.31	367.90	-364.16	2.00	
4660.97	0.00	59.20	4620.29	219.64	368.46	-364.71	2.00	Hold Vertical
4700.00	0.00	269.74	4659.32	219.64	368.46	-364.71	0.00	
4800.00	0.00	269.74	4759.32	219.64	368.46	-364.71	0.00	
4900.00	0.00	269.74	4859.32	219.64	368.46	-364.71	0.00	
5000.00	0.00	269.74	4959.32	219.64	368.46	-364.71	0.00	
5100.00	0.00	269.74	5059.32	219.64	368.46	-364.71	0.00	
5200.00	0.00	269.74	5159.32	219.64	368.46	-364.71	0.00	
5300.00	0.00	269.74	5259.32	219.64	368.46	-364.71	0.00	
5400.00	0.00	269.74	5359.32	219.64	368.46	-364.71	0.00	
5400.68	0.00	269.74	5360.00	219.64	368.46	-364.71	0.00	1st Bone Spring Lime
5500.00	0.00	269.74	5459.32	219.64	368.46	-364.71	0.00	
5600.00	0.00	269.74	5559.32	219.64	368.46	-364.71	0.00	
5700.00	0.00	269.74	5659.32	219.64	368.46	-364.71	0.00	
5800.00	0.00	269.74	5759.32	219.64	368.46	-364.71	0.00	
5900.00	0.00	269.74	5859.32	219.64	368.46	-364.71	0.00	
6000.00	0.00	269.74	5959.32	219.64	368.46	-364.71	0.00	



**Well:** WAR CLUB 3-4 FED COM 821H  
**County:** Eddy  
**Wellbore:** Permit Plan  
**Design:** Permit Plan #1

**Geodetic System:** US State Plane 1983  
**Datum:** North American Datum 1927  
**Ellipsoid:** Clarke 1866  
**Zone:** 3001 - NM East (NAD83)

MD (ft)	INC (°)	AZI (°)	TVD (ft)	NS (ft)	EW (ft)	VS (ft)	DLS (°/100ft)	Comment
6100.00	0.00	269.74	6059.32	219.64	368.46	-364.71	0.00	
6200.00	0.00	269.74	6159.32	219.64	368.46	-364.71	0.00	
6300.00	0.00	269.74	6259.32	219.64	368.46	-364.71	0.00	
6400.00	0.00	269.74	6359.32	219.64	368.46	-364.71	0.00	
6500.00	0.00	269.74	6459.32	219.64	368.46	-364.71	0.00	
6600.00	0.00	269.74	6559.32	219.64	368.46	-364.71	0.00	
6624.68	0.00	269.74	6584.00	219.64	368.46	-364.71	0.00	Bone Spring 1st
6700.00	0.00	269.74	6659.32	219.64	368.46	-364.71	0.00	
6800.00	0.00	269.74	6759.32	219.64	368.46	-364.71	0.00	
6900.00	0.00	269.74	6859.32	219.64	368.46	-364.71	0.00	
7000.00	0.00	269.74	6959.32	219.64	368.46	-364.71	0.00	
7100.00	0.00	269.74	7059.32	219.64	368.46	-364.71	0.00	
7200.00	0.00	269.74	7159.32	219.64	368.46	-364.71	0.00	
7300.00	0.00	269.74	7259.32	219.64	368.46	-364.71	0.00	
7400.00	0.00	269.74	7359.32	219.64	368.46	-364.71	0.00	
7417.68	0.00	269.74	7377.00	219.64	368.46	-364.71	0.00	Bone Spring 2nd
7500.00	0.00	269.74	7459.32	219.64	368.46	-364.71	0.00	
7600.00	0.00	269.74	7559.32	219.64	368.46	-364.71	0.00	
7629.68	0.00	269.74	7589.00	219.64	368.46	-364.71	0.00	3rd Bone Spring Lime
7700.00	0.00	269.74	7659.32	219.64	368.46	-364.71	0.00	
7800.00	0.00	269.74	7759.32	219.64	368.46	-364.71	0.00	
7900.00	0.00	269.74	7859.32	219.64	368.46	-364.71	0.00	
8000.00	0.00	269.74	7959.32	219.64	368.46	-364.71	0.00	
8100.00	0.00	269.74	8059.32	219.64	368.46	-364.71	0.00	
8200.00	0.00	269.74	8159.32	219.64	368.46	-364.71	0.00	
8300.00	0.00	269.74	8259.32	219.64	368.46	-364.71	0.00	
8400.00	0.00	269.74	8359.32	219.64	368.46	-364.71	0.00	
8500.00	0.00	269.74	8459.32	219.64	368.46	-364.71	0.00	
8600.00	0.00	269.74	8559.32	219.64	368.46	-364.71	0.00	
8610.68	0.00	269.74	8570.00	219.64	368.46	-364.71	0.00	Bone Spring 3rd
8700.00	0.00	269.74	8659.32	219.64	368.46	-364.71	0.00	
8800.00	0.00	269.74	8759.32	219.64	368.46	-364.71	0.00	
8900.00	0.00	269.74	8859.32	219.64	368.46	-364.71	0.00	
8946.68	0.00	269.74	8906.00	219.64	368.46	-364.71	0.00	Wolfcamp / Point of Penetration
8967.89	0.00	269.74	8927.21	219.64	368.46	-364.71	0.00	KOP
9000.00	3.21	269.74	8959.30	219.64	367.56	-363.81	10.00	
9100.00	13.21	269.74	9058.15	219.58	353.29	-349.55	10.00	
9200.00	23.21	269.74	9153.02	219.43	322.08	-318.34	10.00	
9300.00	33.21	269.74	9241.03	219.22	274.87	-271.14	10.00	
9400.00	43.21	269.74	9319.51	218.94	213.09	-209.38	10.00	
9500.00	53.21	269.74	9386.06	218.60	138.63	-134.93	10.00	
9600.00	63.21	269.74	9438.67	218.22	53.74	-50.05	10.00	
9700.00	73.21	269.74	9475.74	217.79	-39.00	42.66	10.00	
9800.00	83.21	269.74	9496.15	217.35	-136.77	140.41	10.00	
9881.66	91.38	269.74	9500.00	216.98	-218.27	221.89	10.00	Landing Point
9900.00	91.38	269.74	9499.56	216.90	-236.60	240.22	0.00	
10000.00	91.38	269.74	9497.15	216.44	-336.57	340.17	0.00	
10100.00	91.38	269.74	9494.75	215.99	-436.54	440.12	0.00	
10200.00	91.38	269.74	9492.35	215.54	-536.51	540.06	0.00	
10300.00	91.38	269.74	9489.94	215.08	-636.48	640.01	0.00	
10400.00	91.38	269.74	9487.54	214.63	-736.45	739.96	0.00	
10500.00	91.38	269.74	9485.13	214.17	-836.42	839.91	0.00	
10600.00	91.38	269.74	9482.73	213.72	-936.39	939.86	0.00	
10700.00	91.38	269.74	9480.32	213.27	-1036.36	1039.81	0.00	
10800.00	91.38	269.74	9477.92	212.81	-1136.33	1139.75	0.00	
10900.00	91.38	269.74	9475.52	212.36	-1236.30	1239.70	0.00	
11000.00	91.38	269.74	9473.11	211.90	-1336.27	1339.65	0.00	
11100.00	91.38	269.74	9470.71	211.45	-1436.24	1439.60	0.00	
11200.00	91.38	269.74	9468.30	211.00	-1536.21	1539.55	0.00	
11300.00	91.38	269.74	9465.90	210.54	-1636.18	1639.49	0.00	
11400.00	91.38	269.74	9463.49	210.09	-1736.15	1739.44	0.00	
11500.00	91.38	269.74	9461.09	209.63	-1836.12	1839.39	0.00	
11600.00	91.38	269.74	9458.69	209.18	-1936.09	1939.34	0.00	
11700.00	91.38	269.74	9456.28	208.73	-2036.06	2039.29	0.00	
11800.00	91.38	269.74	9453.88	208.27	-2136.03	2139.24	0.00	
11900.00	91.38	269.74	9451.47	207.82	-2236.00	2239.18	0.00	
12000.00	91.38	269.74	9449.07	207.36	-2335.97	2339.13	0.00	
12100.00	91.38	269.74	9446.66	206.91	-2435.94	2439.08	0.00	
12200.00	91.38	269.74	9444.26	206.46	-2535.91	2539.03	0.00	
12300.00	91.38	269.74	9441.86	206.00	-2635.88	2638.98	0.00	



Well: WAR CLUB 3-4 FED COM 821H  
 County: Eddy  
 Wellbore: Permit Plan  
 Design: Permit Plan #1

Geodetic System: US State Plane 1983  
 Datum: North American Datum 1927  
 Ellipsoid: Clarke 1866  
 Zone: 3001 - NM East (NAD83)

MD (ft)	INC (°)	AZI (°)	TVD (ft)	NS (ft)	EW (ft)	VS (ft)	DLS (°/100ft)	Comment
12400.00	91.38	269.74	9439.45	205.55	-2735.85	2738.93	0.00	
12500.00	91.38	269.74	9437.05	205.09	-2835.82	2838.87	0.00	
12600.00	91.38	269.74	9434.64	204.64	-2935.79	2938.82	0.00	
12700.00	91.38	269.74	9432.24	204.19	-3035.76	3038.77	0.00	
12800.00	91.38	269.74	9429.83	203.73	-3135.73	3138.72	0.00	
12900.00	91.38	269.74	9427.43	203.28	-3235.70	3238.67	0.00	
13000.00	91.38	269.74	9425.03	202.82	-3335.67	3338.62	0.00	
13100.00	91.38	269.74	9422.62	202.37	-3435.64	3438.56	0.00	
13200.00	91.38	269.74	9420.22	201.92	-3535.61	3538.51	0.00	
13300.00	91.38	269.74	9417.81	201.46	-3635.58	3638.46	0.00	
13400.00	91.38	269.74	9415.41	201.01	-3735.55	3738.41	0.00	
13500.00	91.38	269.74	9413.01	200.55	-3835.52	3838.36	0.00	
13600.00	91.38	269.74	9410.60	200.10	-3935.49	3938.30	0.00	
13700.00	91.38	269.74	9408.20	199.64	-4035.46	4038.25	0.00	
13800.00	91.38	269.74	9405.79	199.19	-4135.43	4138.20	0.00	
13900.00	91.38	269.74	9403.39	198.74	-4235.40	4238.15	0.00	
14000.00	91.38	269.74	9400.98	198.28	-4335.37	4338.10	0.00	
14100.00	91.38	269.74	9398.58	197.83	-4435.34	4438.05	0.00	
14200.00	91.38	269.74	9396.18	197.37	-4535.31	4537.99	0.00	
14300.00	91.38	269.74	9393.77	196.92	-4635.28	4637.94	0.00	
14400.00	91.38	269.74	9391.37	196.47	-4735.25	4737.89	0.00	
14500.00	91.38	269.74	9388.96	196.01	-4835.22	4837.84	0.00	
14600.00	91.38	269.74	9386.56	195.56	-4935.19	4937.79	0.00	
14700.00	91.38	269.74	9384.15	195.10	-5035.16	5037.74	0.00	
14800.00	91.38	269.74	9381.75	194.65	-5135.13	5137.68	0.00	
14900.00	91.38	269.74	9379.35	194.20	-5235.10	5237.63	0.00	
15000.00	91.38	269.74	9376.94	193.74	-5335.07	5337.58	0.00	
15100.00	91.38	269.74	9374.54	193.29	-5435.04	5437.53	0.00	
15200.00	91.38	269.74	9372.13	192.83	-5535.01	5537.48	0.00	
15300.00	91.38	269.74	9369.73	192.38	-5634.98	5637.42	0.00	
15400.00	91.38	269.74	9367.32	191.93	-5734.95	5737.37	0.00	
15500.00	91.38	269.74	9364.92	191.47	-5834.92	5837.32	0.00	
15600.00	91.38	269.74	9362.52	191.02	-5934.89	5937.27	0.00	
15700.00	91.38	269.74	9360.11	190.56	-6034.86	6037.22	0.00	
15800.00	91.38	269.74	9357.71	190.11	-6134.83	6137.17	0.00	
15900.00	91.38	269.74	9355.30	189.66	-6234.80	6237.11	0.00	
16000.00	91.38	269.74	9352.90	189.20	-6334.77	6337.06	0.00	
16100.00	91.38	269.74	9350.49	188.75	-6434.75	6437.01	0.00	
16200.00	91.38	269.74	9348.09	188.29	-6534.72	6536.96	0.00	
16300.00	91.38	269.74	9345.69	187.84	-6634.69	6636.91	0.00	
16400.00	91.38	269.74	9343.28	187.39	-6734.66	6736.86	0.00	
16500.00	91.38	269.74	9340.88	186.93	-6834.63	6836.80	0.00	
16600.00	91.38	269.74	9338.47	186.48	-6934.60	6936.75	0.00	
16700.00	91.38	269.74	9336.07	186.02	-7034.57	7036.70	0.00	
16800.00	91.38	269.74	9333.66	185.57	-7134.54	7136.65	0.00	
16900.00	91.38	269.74	9331.26	185.12	-7234.51	7236.60	0.00	
17000.00	91.38	269.74	9328.86	184.66	-7334.48	7336.54	0.00	
17100.00	91.38	269.74	9326.45	184.21	-7434.45	7436.49	0.00	
17200.00	91.38	269.74	9324.05	183.75	-7534.42	7536.44	0.00	
17300.00	91.38	269.74	9321.64	183.30	-7634.39	7636.39	0.00	
17400.00	91.38	269.74	9319.24	182.84	-7734.36	7736.34	0.00	
17500.00	91.38	269.74	9316.83	182.39	-7834.33	7836.29	0.00	
17600.00	91.38	269.74	9314.43	181.94	-7934.30	7936.23	0.00	
17700.00	91.38	269.74	9312.03	181.48	-8034.27	8036.18	0.00	
17800.00	91.38	269.74	9309.62	181.03	-8134.24	8136.13	0.00	
17900.00	91.38	269.74	9307.22	180.57	-8234.21	8236.08	0.00	
18000.00	91.38	269.74	9304.81	180.12	-8334.18	8336.03	0.00	
18100.00	91.38	269.74	9302.41	179.67	-8434.15	8435.98	0.00	
18200.00	91.38	269.74	9300.00	179.21	-8534.12	8535.92	0.00	
18300.00	91.38	269.74	9297.60	178.76	-8634.09	8635.87	0.00	
18400.00	91.38	269.74	9295.20	178.30	-8734.06	8735.82	0.00	
18500.00	91.38	269.74	9292.79	177.85	-8834.03	8835.77	0.00	
18600.00	91.38	269.74	9290.39	177.40	-8934.00	8935.72	0.00	
18700.00	91.38	269.74	9287.98	176.94	-9033.97	9035.67	0.00	
18800.00	91.38	269.74	9285.58	176.49	-9133.94	9135.61	0.00	
18900.00	91.38	269.74	9283.17	176.03	-9233.91	9235.56	0.00	
19000.00	91.38	269.74	9280.77	175.58	-9333.88	9335.51	0.00	
19100.00	91.38	269.74	9278.37	175.13	-9433.85	9435.46	0.00	
19200.00	91.38	269.74	9275.96	174.67	-9533.82	9535.41	0.00	
19300.00	91.38	269.74	9273.56	174.22	-9633.79	9635.35	0.00	



**Well:** WAR CLUB 3-4 FED COM 821H  
**County:** Eddy  
**Wellbore:** Permit Plan  
**Design:** Permit Plan #1

**Geodetic System:** US State Plane 1983  
**Datum:** North American Datum 1927  
**Ellipsoid:** Clarke 1866  
**Zone:** 3001 - NM East (NAD83)

MD (ft)	INC (°)	AZI (°)	TVD (ft)	NS (ft)	EW (ft)	VS (ft)	DLS (°/100ft)	Comment
19400.00	91.38	269.74	9271.15	173.76	-9733.76	9735.30	0.00	
19500.00	91.38	269.74	9268.75	173.31	-9833.73	9835.25	0.00	
19600.00	91.38	269.74	9266.34	172.86	-9933.70	9935.20	0.00	
19700.00	91.38	269.74	9263.94	172.40	-10033.67	10035.15	0.00	
19783.26	91.38	269.74	9261.94	172.02	-10116.90	10118.37	0.00	exit
19800.00	91.38	269.74	9261.54	171.95	-10133.64	10135.10	0.00	
19863.26	91.38	269.74	9260.00	171.70	-10196.88	10198.33	0.00	BHL

A multibowl wellhead may be used. The BOP will be tested per 43 CFR 3172 after installation on the surface casing which will cover testing requirements for a maximum of 30 days. If any seal subject to test pressure is broken the system must be tested.

Devon proposes using a multi-bowl wellhead assembly. This assembly will only be tested when installed on the surface casing. Minimum working pressure of the blowout preventer (BOP) and related equipment (BOPE) required for drilling below the surface casing shoe shall be 5000 (5M) psi.

- Wellhead will be installed by wellhead representatives.
- If the welding is performed by a third party, the wellhead representative will monitor the temperature to verify that it does not exceed the maximum temperature of the seal.
- Wellhead representative will install the test plug for the initial BOP test.
- Wellhead company will install a solid steel body pack-off to completely isolate the lower head after cementing intermediate casing. After installation of the pack-off, the pack-off and the lower flange will be tested to 5M, as shown on the attached schematic. Everything above the pack-off will not have been altered whatsoever from the initial nipple up. Therefore the BOP components will not be retested at that time.
- If the cement does not circulate and one inch operations would have been possible with a standard wellhead, the well head will be cut and top out operations will be conducted.
- Devon will pressure test all seals above and below the mandrel (but still above the casing) to full working pressure rating.
- Devon will test the casing to 0.22 psi/ft or 1500 psi, whichever is greater, as per 43 CFR 3172.

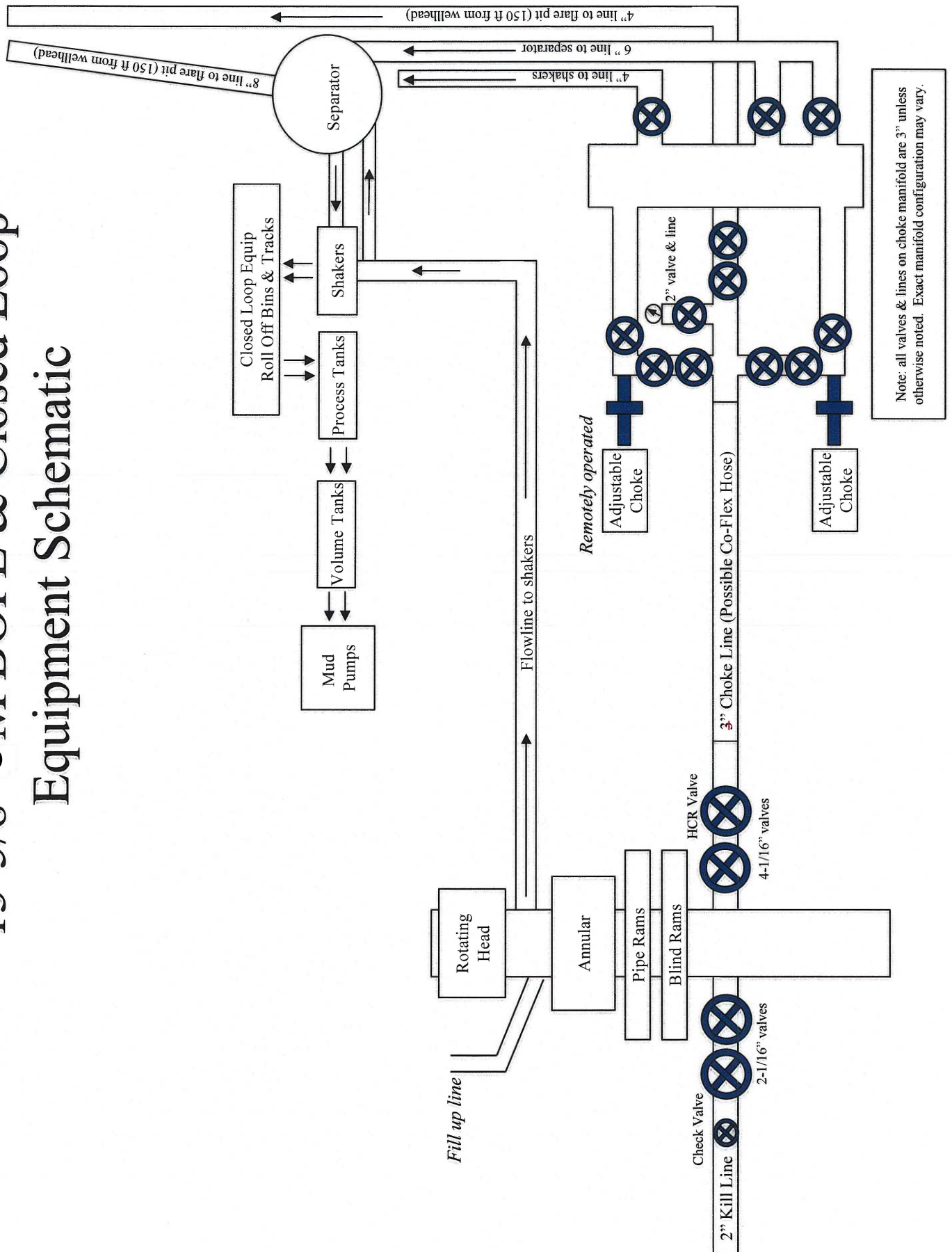
After running the surface casing, a 13-5/8" BOP/BOPE system with a minimum rating of 5M will be installed on the wellhead system and will undergo a 250 psi low pressure test followed by a 5,000 psi high pressure test. The 5,000 psi high and 250 psi low test will cover testing requirements a maximum of 30 days, as per 43 CFR 3172. If the well is not complete within 30 days of this BOP test, another full BOP test will be conducted, as per 43 CFR 3172.

After running the intermediate casing with a mandrel hanger, the 13-5/8" BOP/BOPE system with a minimum rating of 5M will already be installed on the wellhead.

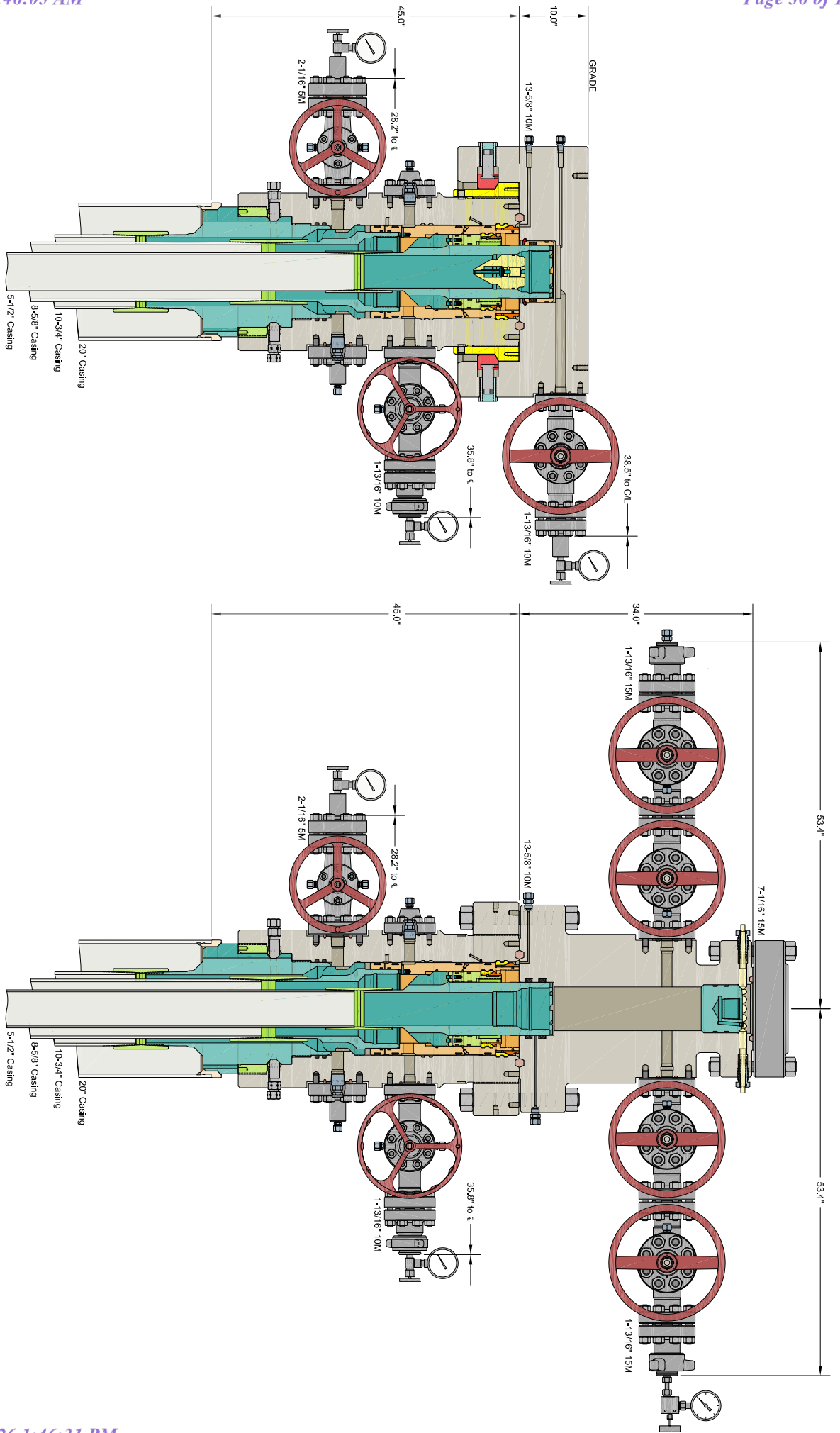
The pipe rams will be operated and checked each 24 hour period and each time the drill pipe is out of the hole. These tests will be logged in the daily driller's log. A 2" kill line and 3" choke line will be incorporated into the drilling spool below the ram BOP. In addition to the rams and annular preventer, additional BOP accessories include a kelly cock, floor safety valve, choke lines, and choke manifold rated at 5,000 psi WP.

Devon's proposed wellhead manufactures will be FMC Technologies, Cactus Wellhead, or Cameron.

# 13-5/8" 5M BOPE & Closed Loop Equipment Schematic



Note: all valves & lines on choke manifold are 3" unless otherwise noted. Exact manifold configuration may vary.



INFORMATION CONTAINED HEREIN IS THE PROPERTY OF CACTUS WELLHEAD, LLC. REPRODUCTION, DISCLOSURE, OR USE THEREOF IS PERMISSIBLE ONLY AS PROVIDED BY CONTRACT OR AS EXPRESSLY AUTHORIZED BY CACTUS WELLHEAD, LLC.

ALL DIMENSIONS APPROXIMATE

# CACTUS WELLHEAD LLC

DEVON ENERGY CORPORATION  
DELAWARE BASIN

10-3/4" x 8-5/8" x 5-1/2" 10M MBU-3T-CFL-R-DBLO Wellhead Sys.  
With 8-5/8" And 5-1/2" Mandrel Casing Hangers  
And 13-5/8" 10M x 7-1/16" 15M CTH-DBLHPS Tubing Head

DRAWN	DLE	16SEP21
APPRV		
DRAWING NO.	HBE0000595	

### PECOS DISTRICT DRILLING CONDITIONS OF APPROVAL

<b>OPERATOR'S NAME:</b>	Devon Energy Production Company LP ▾
<b>LOCATION:</b>	Section 3, T.22 S., R.27 E., NMPM
<b>COUNTY:</b>	Eddy County, New Mexico ▾

<b>WELL NAME &amp; NO.:</b>	War Club 3-4 Fed Com 821H
<b>ATS/API ID:</b>	ATS-24-3036
<b>APD ID:</b>	10400101198
<b>Sundry ID:</b>	N/a

<b>WELL NAME &amp; NO.:</b>	War Club 3-4 Fed Com 822H
<b>ATS/API ID:</b>	ATS-24-3040
<b>APD ID:</b>	10400101188
<b>Sundry ID:</b>	N/a

<b>WELL NAME &amp; NO.:</b>	War Club 3-4 Fed Com 911H
<b>ATS/API ID:</b>	ATS-24-3039
<b>APD ID:</b>	10400101200
<b>Sundry ID:</b>	N/a

<b>WELL NAME &amp; NO.:</b>	War Club 3-4 Fed Com 912H
<b>ATS/API ID:</b>	ATS-24-3041
<b>APD ID:</b>	10400101190
<b>Sundry ID:</b>	N/a

COA

H2S	Yes		
Potash	None	None	
Cave/Karst Potential	Medium		
Cave/Karst Potential	<input type="checkbox"/> Critical		
Variance	<input checked="" type="radio"/> None	<input checked="" type="radio"/> Flex Hose	<input checked="" type="radio"/> Other
Wellhead	Conventional and Multibowl		
Other	<input type="checkbox"/> 4 String <input type="checkbox"/> 5 String	Capitan Reef None	<input type="checkbox"/> WIPP
Other	Pilot Hole None	<input type="checkbox"/> Open Annulus	
Cementing	Contingency Squeeze None	Echo-Meter Int 1	Primary Cement Squeeze None
Special Requirements	<input type="checkbox"/> Water Disposal/Injection	<input checked="" type="checkbox"/> COM	<input type="checkbox"/> Unit
Special Requirements	<input type="checkbox"/> Batch Sundry	Waste Prevention None	
Special Requirements Variance	<input type="checkbox"/> BOPE Break Testing <input type="checkbox"/> Offline BOPE Testing	<input type="checkbox"/> Offline Cementing	<input type="checkbox"/> Casing Clearance

## A. HYDROGEN SULFIDE

A Hydrogen Sulfide (H<sub>2</sub>S) Drilling Plan shall be activated 500 feet prior to drilling into the **Delaware** formation. As a result, the Hydrogen Sulfide area must meet **43 CFR part 3170 Subpart 3176** requirements, which includes equipment and personnel/public protection items. If Hydrogen Sulfide is encountered, please provide measured values and formations to the BLM.

## B. CASING

1. The **10-3/4** inch surface casing shall be set at approximately **375 feet** (a minimum of **70 feet (Eddy County)** into the Rustler Anhydrite and above the salt when present, and below usable fresh water) and cemented to the surface. The surface hole shall be **14 3/4** inch in diameter.
  - a. If cement does not circulate to the surface, the appropriate BLM office shall be notified and a temperature survey utilizing an electronic type temperature survey with surface log readout will be used or a cement bond log shall be run to verify the top of the cement. Temperature survey will be run a minimum of six hours after pumping cement and ideally between 8-10 hours after completing the cement job.
  - b. Wait on cement (WOC) time for a primary cement job will be a minimum of **8 hours** or 500 pounds compressive strength, whichever is greater. (This is to include the lead cement)
  - c. Wait on cement (WOC) time for a remedial job will be a minimum of 4 hours after bringing cement to surface or 500 pounds compressive strength, whichever is greater.
  - d. If cement falls back, remedial cementing will be done prior to drilling out that string.

**Intermediate casing must be kept fluid filled to meet BLM minimum collapse requirement.**

2. The minimum required fill of cement behind the **8-5/8** inch intermediate casing is:

### Option 1 (Single Stage):

- Cement to surface. If cement does not circulate see B.1.a, c-d above. **Wait on cement (WOC) time for a primary cement job is to include the lead cement slurry due to cave/karst or potash.**

### Option 2:

Operator has proposed to cement in two stages by conventionally cementing the first stage and performing a bradenhead squeeze on the second stage, contingent upon no returns to surface.

- a. First stage: Operator will cement with intent to reach the top of the **Brushy Canyon at 3976'**.
- b. Second stage:
  - Operator will perform bradenhead squeeze and top-out. Cement to surface. If cement does not reach surface, the appropriate BLM office shall be notified. **(Squeeze 284 sxs Class C)**  
**Wait on cement (WOC) time for a primary cement job is to include the lead cement slurry due to cave/karst or potash.**

Operator has proposed to pump down **10-3/4" X 8-5/8"** annulus after primary cementing stage. Operator must run Echo-meter to verify Cement Slurry/Fluid top in the annulus Or operator shall run a CBL from TD of the 8-5/8" casing to surface after the second stage BH to verify TOC.

Submit results to the BLM. No displacement fluid/wash out shall be utilized at the top of the cement slurry between second stage BH and top out. Operator must run one CBL per Well Pad. Operator may conduct a negative and positive pressure test during completion to remediate sustained casing pressure.

If cement does not reach surface, the next casing string must come to surface.

Operator must use a limited flush fluid volume of 1 bbl following backside cementing procedures.

- ❖ In Medium Cave/Karst Areas if cement does not circulate to surface on the first two casing strings, the cement on the 3rd casing string must come to surface.

3. The minimum required fill of cement behind the **5-1/2** inch production casing is:

- Cement should tie-back at least **200 feet** into previous casing string. Operator shall provide method of verification.  
**Wait on cement (WOC) time for a primary cement job is to include the lead cement slurry due to cave/karst or potash.**

### C. PRESSURE CONTROL

1. Variance approved to use flex line from BOP to choke manifold. Manufacturer's specification to be readily available. No external damage to flex line. Flex line to be installed as straight as possible (no hard bends).'

2.

#### Option 1:

- a. Minimum working pressure of the blowout preventer (BOP) and related equipment (BOPE) required for drilling below the surface casing shoe shall be **5000 (5M)** psi.
- b. Minimum working pressure of the blowout preventer (BOP) and related equipment (BOPE) required for drilling below the **8-5/8** inch intermediate casing shoe shall be **5000 (5M)** psi.

### **Option 2:**

Operator has proposed a multi-bowl wellhead assembly. This assembly will only be tested when installed on the **10-3/4** inch surface casing. Minimum working pressure of the blowout preventer (BOP) and related equipment (BOPE) required for drilling below the surface casing shoe shall be **5000 (5M)** psi.

- a. Wellhead shall be installed by manufacturer's representatives, submit documentation with subsequent sundry.
- b. If the welding is performed by a third party, the manufacturer's representative shall monitor the temperature to verify that it does not exceed the maximum temperature of the seal.
- c. Manufacturer representative shall install the test plug for the initial BOP test.
- d. If the cement does not circulate and one inch operations would have been possible with a standard wellhead, the well head shall be cut off, cementing operations performed and another wellhead installed.
- e. Whenever any seal subject to test pressure is broken, all the tests in 43 CFR 3172.6(b)(9) must be followed.

## **D. SPECIAL REQUIREMENT (S)**

### **Communitization Agreement**

- The operator will submit a Communitization Agreement to the Santa Fe Office, 301 Dinosaur Trail Santa Fe, New Mexico 87508, at least 90 days before the anticipated date of first production from a well subject to a spacing order issued by the New Mexico Oil Conservation Division. The Communitization Agreement will include the signatures of all working interest owners in all Federal and Indian leases subject to the Communitization Agreement (i.e., operating rights owners and lessees of record), or certification that the operator has obtained the written signatures of all such owners and will make those signatures available to the BLM immediately upon request.
- The operator will submit an as-drilled survey well plat of the well completion, but are not limited to, those specified in **43 CFR part 3170 Subpart 3171**
- If the operator does not comply with this condition of approval, the BLM may take enforcement actions that include, but are not limited to, those specified in 43 CFR 3163.1.

- In addition, the well sign shall include the surface and bottom hole lease numbers. When the Communitization Agreement number is known, it shall also be on the sign.

## GENERAL REQUIREMENTS

The BLM is to be notified in advance for a representative to witness:

- a. Spudding well (minimum of 24 hours)
- b. Setting and/or Cementing of all casing strings (minimum of 4 hours)
- c. BOPE tests (minimum of 4 hours)

Eddy County

**EMAIL** or call the Carlsbad Field Office, 620 East Greene St., Carlsbad, NM 88220,

[BLM\\_NM\\_CFO\\_DrillingNotifications@BLM.GOV](mailto:BLM_NM_CFO_DrillingNotifications@BLM.GOV)

(575) 361-2822

1. Unless the production casing has been run and cemented or the well has been properly plugged, the drilling rig shall not be removed from over the hole without prior approval.
  - a. In the event the operator has proposed to drill multiple wells utilizing a skid/walking rig. Operator shall secure the wellbore on the current well, after installing and testing the wellhead, by installing a blind flange of like pressure rating to the wellhead and a pressure gauge that can be monitored while drilling is performed on the other well(s).
  - b. When the operator proposes to set surface casing with Spudder Rig
    - Notify the BLM when moving in and removing the Spudder Rig.
    - Notify the BLM when moving in the 2<sup>nd</sup> Rig. Rig to be moved in within 90 days of notification that Spudder Rig has left the location.
    - BOP/BOPE test to be conducted per **43 CFR part 3170 Subpart 3172** as soon as 2nd Rig is rigged up on well.
2. Floor controls are required for 3M or Greater systems. These controls will be on the rig floor, unobstructed, readily accessible to the driller and will be operational at all times during drilling and/or completion activities. Rig floor is defined as the area immediately around the rotary table; the area immediately above the substructure on which the draw works are located, this does not include the dog house or stairway area.

### A. CASING

1. Changes to the approved APD casing program need prior approval if the items substituted are of lesser grade or different casing size or are Non-API. The Operator can exchange the components of the proposal with that of superior strength (i.e. changing from J-55 to N-80, or from 36# to 40#). Changes to the approved cement program need prior approval if the altered cement plan has less volume or strength or

if the changes are substantial (i.e. Multistage tool, ECP, etc.). The initial wellhead installed on the well will remain on the well with spools used as needed.

2. Wait on cement (WOC) for Potash Areas: After cementing but before commencing any tests, the casing string shall stand cemented under pressure until both of the following conditions have been met: 1) cement reaches a minimum compressive strength of 500 psi for all cement blends of both lead and tail cement, 2) until cement has been in place at least 8 hours. WOC time will be recorded in the driller's log. The casing integrity test can be done (prior to the cement setting up) immediately after bumping the plug.
3. Wait on cement (WOC) for Water Basin: After cementing but before commencing any tests, the casing string shall stand cemented under pressure until both of the following conditions have been met: 1) cement reaches a minimum compressive strength of 500 psi at the shoe, 2) until cement has been in place at least 8 hours. WOC time will be recorded in the driller's log. See individual casing strings for details regarding lead cement slurry requirements. The casing integrity test can be done (prior to the cement setting up) immediately after bumping the plug.
4. Provide compressive strengths including hours to reach required 500 pounds compressive strength prior to cementing each casing string. Have well specific cement details onsite prior to pumping the cement for each casing string.
5. No pea gravel permitted for remedial or fall back remedial without prior authorization from the BLM engineer.
6. On that portion of any well approved for a 5M BOPE system or greater, a pressure integrity test of each casing shoe shall be performed. Formation at the shoe shall be tested to a minimum of the mud weight equivalent anticipated to control the formation pressure to the next casing depth or at total depth of the well. This test shall be performed before drilling more than 20 feet of new hole.
7. If hardband drill pipe is rotated inside casing, returns will be monitored for metal. If metal is found in samples, drill pipe will be pulled and rubber protectors which have a larger diameter than the tool joints of the drill pipe will be installed prior to continuing drilling operations.
8. Whenever a casing string is cemented in the R-111-P potash area, the NMOCD requirements shall be followed.

B. PRESSURE CONTROL

1. All blowout preventer (BOP) and related equipment (BOPE) shall comply with well control requirements as described in **43 CFR part 3170 Subpart 3172** and **API STD 53 Sec. 5.3**.

2. If a variance is approved for a flexible hose to be installed from the BOP to the choke manifold, the following requirements apply: The flex line must meet the requirements of API 16C. Check condition of flexible line from BOP to choke manifold, replace if exterior is damaged or if line fails test. Line to be as straight as possible with no hard bends and is to be anchored according to Manufacturer's requirements. The flexible hose can be exchanged with a hose of equal size and equal or greater pressure rating. Anchor requirements, specification sheet and hydrostatic pressure test certification matching the hose in service, to be onsite for review. These documents shall be posted in the company man's trailer and on the rig floor.
3. 5M or higher system requires an HCR valve, remote kill line and annular to match. The remote kill line is to be installed prior to testing the system and tested to stack pressure.
4. If the operator has proposed a multi-bowl wellhead assembly in the APD. The following requirements must be met:
  - a. Wellhead shall be installed by manufacturer's representatives, submit documentation with subsequent sundry.
  - b. If the welding is performed by a third party, the manufacturer's representative shall monitor the temperature to verify that it does not exceed the maximum temperature of the seal.
  - c. Manufacturer representative shall install the test plug for the initial BOP test.
  - d. Whenever any seal subject to test pressure is broken, all the tests in 43 CFR 3172.6(b)(9) must be followed.
  - e. If the cement does not circulate and one inch operations would have been possible with a standard wellhead, the well head shall be cut off, cementing operations performed and another wellhead installed.
5. The appropriate BLM office shall be notified a minimum of 4 hours in advance for a representative to witness the tests.
  - a. In a water basin, for all casing strings utilizing slips, these are to be set as soon as the crew and rig are ready and any fallback cement remediation has been done. The casing cut-off and BOP installation can be initiated four hours after installing the slips, which will be approximately six hours after bumping the plug. For those casing strings not using slips, the minimum wait time before cut-off is eight hours after bumping the plug. BOP/BOPE testing can begin after cut-off or once cement reaches 500 psi compressive strength (including lead cement), whichever is greater. However, if the float does not hold, cut-off cannot be initiated until cement reaches 500 psi compressive strength (including lead when specified).
  - b. In potash areas, for all casing strings utilizing slips, these are to be set as soon as the crew and rig are ready and any fallback cement remediation has been

done. For all casing strings, casing cut-off and BOP installation can be initiated at twelve hours after bumping the cement plug. The BOPE test can be initiated after bumping the cement plug with the casing valve open. (only applies to single stage cement jobs, prior to the cement setting up.)

- c. The tests shall be done by an independent service company utilizing a test plug not a cup or J-packer and can be initiated immediately with the casing valve open. The operator also has the option of utilizing an independent tester to test without a plug (i.e. against the casing) pursuant to **43 CFR part 3170 Subpart 3172** with the pressure not to exceed 70% of the burst rating for the casing. Any test against the casing must meet the WOC time for 8 hours or 500 pounds compressive strength, whichever is greater, prior to initiating the test (see casing segment as lead cement may be critical item).
- d. The test shall be run on a 5000 psi chart for a 2-3M BOP/BOP, on a 10000 psi chart for a 5M BOP/BOPE and on a 15000 psi chart for a 10M BOP/BOPE. If a linear chart is used, it shall be a one hour chart. A circular chart shall have a maximum 2 hour clock. If a twelve hour or twenty-four hour chart is used, tester shall make a notation that it is run with a two hour clock.
- e. The results of the test shall be reported to the appropriate BLM office.
- f. All tests are required to be recorded on a calibrated test chart. A copy of the BOP/BOPE test chart and a copy of independent service company test will be submitted to the appropriate BLM office.
- g. The BOP/BOPE test shall include a low pressure test from 250 to 300 psi. The test will be held for a minimum of 10 minutes if test is done with a test plug and 30 minutes without a test plug. This test shall be performed prior to the test at full stack pressure.
- h. BOP/BOPE must be tested by an independent service company within 500 feet of the top of the Wolfcamp formation if the time between the setting of the intermediate casing and reaching this depth exceeds 20 days. This test does not exclude the test prior to drilling out the casing shoe as per **43 CFR part 3170 Subpart 3172**.

#### C. DRILLING MUD

Mud system monitoring equipment, with derrick floor indicators and visual and audio alarms, shall be operating before drilling into the Wolfcamp formation, and shall be used until production casing is run and cemented.

#### D. WASTE MATERIAL AND FLUIDS

All waste (i.e. drilling fluids, trash, salts, chemicals, sewage, gray water, etc.) created as a result of drilling operations and completion operations shall be safely contained and disposed of properly at a waste disposal facility. No waste material or fluid shall be disposed of on the well location or surrounding area.

Porto-johns and trash containers will be on-location during fracturing operations or any other crew-intensive operations.

Long Vo (LVO) 2/26/2025



**Devon Energy Center  
333 West Sheridan Avenue  
Oklahoma City, Oklahoma 73102-5015**

# **Hydrogen Sulfide (H<sub>2</sub>S) Contingency Plan**

**For**

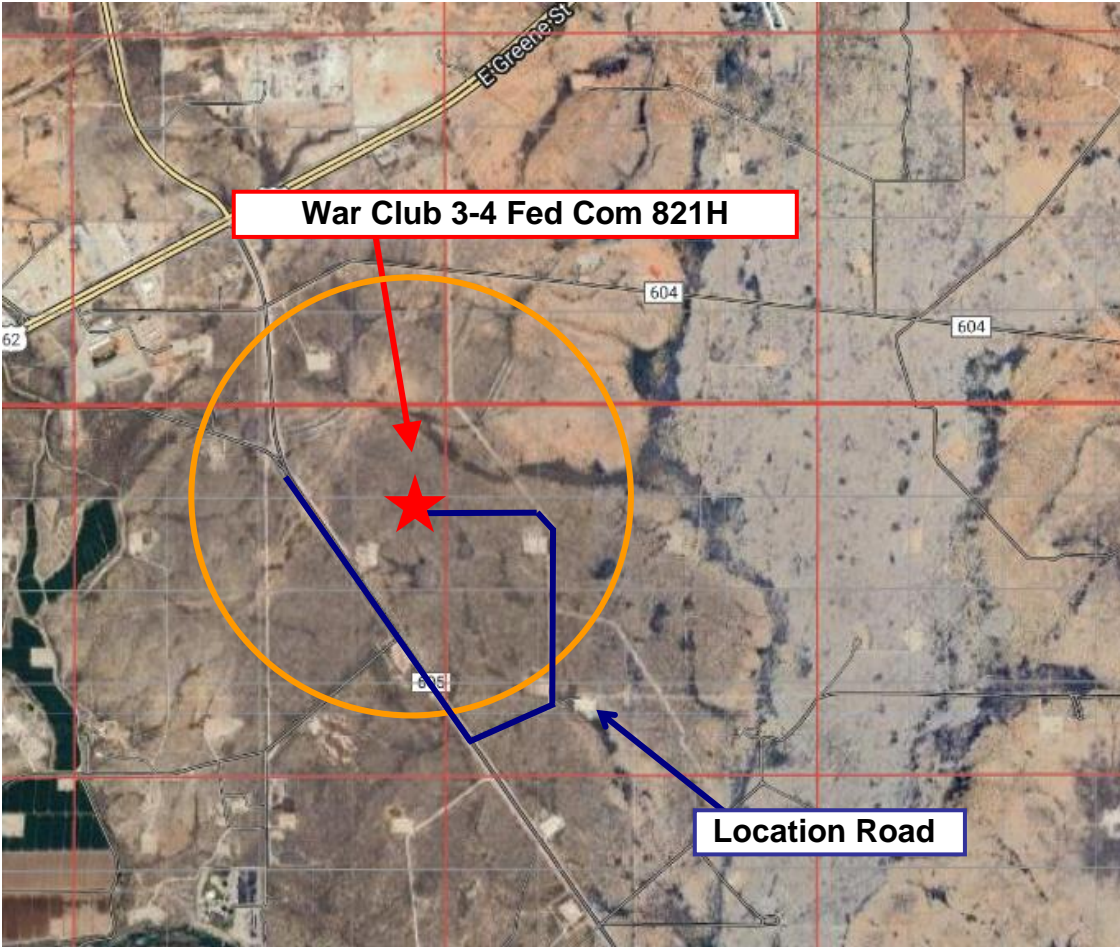
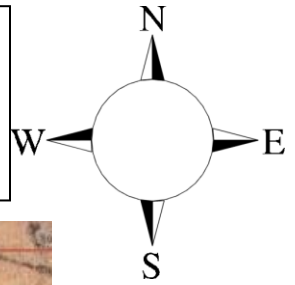
**War Club 3-4 Fed Com 821H**

**Sec-3 T-22S R-27E  
877' FNL & 400' FEL  
LAT. = 32.426800° N (NAD83)  
LONG = 104.170299° W**

**Eddy County NM**

## War Club 3-4 Fed Com 821H

This is an open drilling site. H<sub>2</sub>S monitoring equipment and emergency response equipment will be used within 500' of zones known to contain H<sub>2</sub>S, including warning signs, wind indicators and H<sub>2</sub>S monitor.



**Assumed 100 ppm ROE = 3000' (Radius of Exposure)**  
100 ppm H<sub>2</sub>S concentration shall trigger activation of this plan.

### Escape

Crews shall escape upwind of escaping gas in the event of an emergency release of gas. Escape can be facilitated from the location entrance road. Crews should then block the entrance to the location from the lease road so as not to allow anyone traversing into a hazardous area. The blockade should be at a safe distance outside of the ROE. There are no homes or buildings in or near the ROE.

**Assumed 100 ppm ROE = 3000'**  
**100 ppm H<sub>2</sub>S concentration shall trigger activation of this plan.**

## Emergency Procedures

In the event of a release of gas containing H<sub>2</sub>S, the first responder(s) must

- Isolate the area and prevent entry by other persons into the 100 ppm ROE.
- Evacuate any public places encompassed by the 100 ppm ROE.
- Be equipped with H<sub>2</sub>S monitors and air packs in order to control the release.
- Use the “buddy system” to ensure no injuries occur during the response
- Take precautions to avoid personal injury during this operation.
- Contact operator and/or local officials to aid in operation. See list of phone numbers attached.
- Have received training in the
  - Detection of H<sub>2</sub>S, and
  - Measures for protection against the gas,
  - Equipment used for protection and emergency response.

### **Ignition of Gas Source**

Should control of the well be considered lost and ignition considered, take care to protect against exposure to Sulfur Dioxide (SO<sub>2</sub>). Intentional ignition must be coordinated with the NMOCD and local officials. Additionally the NM State Police may become involved. NM State Police shall be the Incident Command on scene of any major release. Take care to protect downwind whenever there is an ignition of the gas

### **Characteristics of H<sub>2</sub>S and SO<sub>2</sub>**

<b>Common Name</b>	<b>Chemical Formula</b>	<b>Specific Gravity</b>	<b>Threshold Limit</b>	<b>Hazardous Limit</b>	<b>Lethal Concentration</b>
<b>Hydrogen Sulfide</b>	H <sub>2</sub> S	<b>1.189</b> Air = 1	<b>10 ppm</b>	<b>100 ppm/hr</b>	<b>600 ppm</b>
<b>Sulfur Dioxide</b>	SO <sub>2</sub>	<b>2.21</b> Air = 1	<b>2 ppm</b>	<b>N/A</b>	<b>1000 ppm</b>

### **Contacting Authorities**

Devon Energy Corp. personnel must liaison with local and state agencies to ensure a proper response to a major release. Additionally, the OCD must be notified of the release as soon as possible but no later than 4 hours. Agencies will ask for information such as type and volume of release, wind direction, location of release, etc. Be prepared with all information available. The following call list of essential and potential responders has been prepared for use during a release. Devon Energy Corp. Company response must be in coordination with the State of New Mexico’s ‘Hazardous Materials Emergency Response Plan’ (HMER)

## Hydrogen Sulfide Drilling Operation Plan

### I. HYDROGEN SULFIDE (H<sub>2</sub>S) TRAINING

All personnel, whether regularly assigned, contracted, or employed on an unscheduled basis, will receive training from a qualified instructor in the following areas prior to commencing drilling operations on this well:

1. The hazards and characteristics of hydrogen sulfide (H<sub>2</sub>S)
2. The proper use and maintenance of personal protective equipment and life support systems.
3. The proper use of H<sub>2</sub>S detectors, alarms, warning systems, briefing areas, evacuation procedures, and prevailing winds.
4. The proper techniques for first aid and rescue procedures.

In addition, supervisory personnel will be trained in the following areas:

1. The effects of H<sub>2</sub>S metal components. If high tensile tubulars are to be used, personnel will be trained in their special maintenance requirements.
2. Corrective action and shut-in procedures when drilling or reworking a well and blowout prevention and well control procedures.
3. The contents and requirements of the H<sub>2</sub>S Drilling Operations Plan.

There will be weekly H<sub>2</sub>S and well control drills for all personnel in each crew.

### II. HYDROGEN SULFIDE TRAINING

Note: All H<sub>2</sub>S safety equipment and systems will be installed, tested, and operational when drilling reaches a depth of 500 feet above, or three days prior to penetrating the first zone containing or reasonably expected to contain H<sub>2</sub>S.

#### 1. Well Control Equipment

- A. Flare line
- B. Choke manifold – Remotely Operated
- C. Blind rams and pipe rams to accommodate all pipe sizes with properly sized closing unit
- D. Auxiliary equipment may include if applicable: annular preventer and rotating head.
- E. Mud/Gas Separator

## 2. Protective equipment for essential personnel:

30-minute SCBA units located at briefing areas, as indicated on well site diagram, with escape units available in the top doghouse. As it may be difficult to communicate audibly while wearing these units, hand signals shall be utilized.

## 3. H<sub>2</sub>S detection and monitoring equipment:

Portable H<sub>2</sub>S monitors positioned on location for best coverage and response. These units have warning lights which activate when H<sub>2</sub>S levels reach 10 ppm and audible sirens which activate at 10 ppm. Sensor locations:

- Bell nipple
- Possum Belly/Shale shaker
- Rig floor
- Choke manifold
- Cellar

### Visual warning systems:

- A. Wind direction indicators as shown on well site diagram
- B. Caution/ Danger signs shall be posted on roads providing direct access to locations. Signs will be painted a high visibility yellow with black lettering of sufficient size to be reasonable distance from the immediate location. Bilingual signs will be used when appropriate.

## 4. Mud program:

The mud program has been designed to minimize the volume of H<sub>2</sub>S circulated to surface. Proper mud weight, safe drilling practices and the use of H<sub>2</sub>S scavengers will minimize hazards when penetrating H<sub>2</sub>S bearing zones.

## 5. Metallurgy:

- A. All drill strings, casings, tubing, wellhead, blowout preventer, drilling spool, kill lines, choke manifold lines, and valves shall be H<sub>2</sub>S trim.
- B. All elastomers used for packing and seals shall be H<sub>2</sub>S trim.

**6. Communication:**

- A. Company personnel have/use cellular telephones in the field.
- B. Land line (telephone) communications at Office

**7. Well testing:**

- A. Drill stem testing will be performed with a minimum number of personnel in the immediate vicinity, which are necessary to safety and adequately conduct the test. The drill stem testing will be conducted during daylight hours and formation fluids will not be flowed to the surface. All drill-stem-testing operations conducted in an H<sub>2</sub>S environment will use the closed chamber method of testing.
- B. There will be no drill stem testing.

<b>Devon Energy Corp. Company Call List</b>			
<b>Employee/Company Contact Representative</b>	<b>Position</b>	<b>Phone Number</b>	<b>After Hours Number</b>
Jonathan Fisher (North)	Drilling Manager	832-967-7912	
Jason Hildebrand (South)	Drilling Manager	405-552-6514	
Rich Downey	Drilling VP	405-228-2415	
Josh Harvey	EHS Manager	405-228-2440	918-500-5536
Laura Wright	EHS Supervisor	405-552-5334	832-969-8145
Robert Glover	EHS Professional	575-703-5712	575-703-5712
Lane Frank	Lead EHS	580-579-7052	580-579-7052
Rickey Porter	Lead EHS	903-720-8315	903-720-8315
Ronnie Handy	Lead EHS	918-839-2046	918-839-2046
Brock Vise	Lead EHS	918-413-3291	918-413-3291

<b>Agency Call List</b>		
<b>Lea County (575)</b>	<b>Hobbs</b>	
	Lea County Communication Authority	397-9265
	State Police	885-3138
	City Police	397-9265
	Sheriff's Office	396-3611
	<b>Ambulance</b>	<b>911</b>
	Fire Department	397-9308
	LEPC (Local Emergency Planning Committee)	393-2870
	NMOCD	393-6161
	US Bureau of Land Management (Closed)	393-0002
<b>Eddy County (575)</b>	<b>Carlsbad</b>	
	State Police	885-3137
	City Police	885-2111
	Sheriff's Office	887-7551
	<b>Ambulance</b>	<b>911</b>
	Fire Department	885-3125
	LEPC (Local Emergency Planning Committee)	887-3798
	US Bureau of Land Management	234-5972
	NM Emergency Response Commission (Santa Fe)	(505) 476-9600
	24 HR	(505) 827-9126
	National Emergency Response Center	(800) 424-8802
	National Pollution Control Center: Direct	(703) 872-6000
	For Oil Spills	(800) 280-7118
	<b>Emergency Services</b>	
	Wild Well Control	(281) 784-4700
	Cudd Pressure Control	(915) 699-0139 (915) 563-3356
	Halliburton	(575) 746-2757
	B. J. Services	(575) 746-3569
	<b>Give GPS position:</b>	Native Air – Emergency Helicopter – Hobbs
For Air Ambulance - <b>Eddy County</b> Dispatch		(575)-616-7155
For Air Ambulance - <b>Lea County</b> (LCCA)		(575)-397-9265
Poison Control (24/7)		(800) 222-1222
Oil & Gas Pipeline 24 Hour Service		(800) 364-4366
NOAA – Website - <a href="http://www.nhc.noaa.gov">www.nhc.noaa.gov</a>		
	National Pollution Control Center	202-795-6958
	NPCC – Oil Spills	800-280-7118

Prepared in conjunction with  
 Dave Small 



U.S. Department of the Interior  
BUREAU OF LAND MANAGEMENT

<b>Well Name:</b> WAR CLUB 3-4 FED COM	<b>Well Location:</b> T22S / R27E / SEC 3 / LOT 1 / 32.4268 / -104.170299	<b>County or Parish/State:</b> EDDY / NM
<b>Well Number:</b> 821H	<b>Type of Well:</b> OIL WELL	<b>Allottee or Tribe Name:</b>
<b>Lease Number:</b> NMNM0473303A	<b>Unit or CA Name:</b>	<b>Unit or CA Number:</b>
<b>US Well Number:</b>	<b>Operator:</b> DEVON ENERGY PRODUCTION COMPANY LP	

**Notice of Intent**

**Sundry ID:** 2885960

**Type of Submission:** Notice of Intent

**Type of Action:** APD Change

**Date Sundry Submitted:** 12/09/2025

**Time Sundry Submitted:** 09:25

**Date proposed operation will begin:** 12/09/2025

**Procedure Description:** Devon Energy Production Company, L.P. respectfully requests the following changes to the approved APD: Casing program change: Surface, Intermediate, & Production casing changes. Cement volume changes to accommodate casing change. Break test and offline cementing variance in regards to intermediate and production casing. Please see attached Drill plan, spec sheets, break test, and offline cementing.

**NOI Attachments**

**Procedure Description**

- WAR\_CLUB\_3\_4\_FED\_COM\_821H\_12\_22\_2025\_20251222102316.pdf
- Production\_Break\_Testing\_Variance\_\_WFMP\_\_Shallower\_\_BLM\_v4\_20251209092242.pdf
- Offline\_Production\_Cement\_\_WFMP\_\_Shallower\_\_BLM\_v5\_20251209092241.pdf
- MB\_Wellhd\_10M\_4\_STRING\_13.375\_10.75\_8.625\_5.55\_20251209092240.pdf
- 5.5\_20lb\_P110\_ICY\_Wedge\_461\_20251209092240.pdf
- 10.75\_45.5lb\_J55\_BTC\_20251209092240.pdf
- 13.375\_54.5lb\_J55\_20251209092240.pdf
- Annular\_Preventer\_Summary\_20251209092240.pdf

Well Name: WAR CLUB 3-4 FED COM

Well Location: T22S / R27E / SEC 3 / LOT 1 / 32.4268 / -104.170299

County or Parish/State: EDDY / NM

Well Number: 821H

Type of Well: OIL WELL

Allottee or Tribe Name:

Lease Number: NMNM0473303A

Unit or CA Name:

Unit or CA Number:

US Well Number:

Operator: DEVON ENERGY PRODUCTION COMPANY LP

### Conditions of Approval

#### Specialist Review

Sundry\_ID\_2885960\_Signed\_20260107081200.pdf

### Operator

I certify that the foregoing is true and correct. Title 18 U.S.C. Section 1001 and Title 43 U.S.C. Section 1212, make it a crime for any person knowingly and willfully to make to any department or agency of the United States any false, fictitious or fraudulent statements or representations as to any matter within its jurisdiction. Electronic submission of Sundry Notices through this system satisfies regulations requiring a

Operator Electronic Signature: SHANDEE THOMAS

Signed on: DEC 22, 2025 10:23 AM

Name: DEVON ENERGY PRODUCTION COMPANY LP

Title: Regulatory Professional

Street Address: 333 W SHERDIAN AVE

City: OKLAHOMA CITY State: OK

Phone: (405) 552-7853

Email address: SHANDEE.THOMAS@DVN.COM

### Field

Representative Name:

Street Address:

City: State: Zip:

Phone:

Email address:

### BLM Point of Contact

BLM POC Name: LONG VO

BLM POC Title: Petroleum Engineer

BLM POC Phone: 5759885402

BLM POC Email Address: LVO@BLM.GOV

Disposition: Approved

Disposition Date: 01/07/2026

Signature: Long Vo

Form 3160-5  
(October 2024)

UNITED STATES  
DEPARTMENT OF THE INTERIOR  
BUREAU OF LAND MANAGEMENT

FORM APPROVED  
OMB No. 1004-0220  
Expires: October 31, 2027

**SUNDRY NOTICES AND REPORTS ON WELLS**  
**Do not use this form for proposals to drill or to re-enter an abandoned well. Use Form 3160-3 (APD) for such proposals.**

5. Lease Serial No.

6. If Indian, Allottee or Tribe Name

**SUBMIT IN TRIPLICATE - Other instructions on page 2**

7. If Unit of CA/Agreement, Name and/or No.

1. Type of Well

Oil Well     Gas Well     Other

8. Well Name and No.

2. Name of Operator

9. API Well No.

3a. Address

3b. Phone No. (include area code)

10. Field and Pool or Exploratory Area

4. Location of Well (Footage, Sec., T.,R.,M., or Survey Description)

11. Country or Parish, State

**12. CHECK THE APPROPRIATE BOX(ES) TO INDICATE NATURE OF NOTICE, REPORT OR OTHER DATA**

TYPE OF SUBMISSION	TYPE OF ACTION			
<input type="checkbox"/> Notice of Intent	<input type="checkbox"/> Acidize	<input type="checkbox"/> Deepen	<input type="checkbox"/> Production (Start/Resume)	<input type="checkbox"/> Water Shut-Off
<input type="checkbox"/> Subsequent Report	<input type="checkbox"/> Alter Casing	<input type="checkbox"/> Hydraulic Fracturing	<input type="checkbox"/> Reclamation	<input type="checkbox"/> Well Integrity
<input type="checkbox"/> Final Abandonment Notice	<input type="checkbox"/> Casing Repair	<input type="checkbox"/> New Construction	<input type="checkbox"/> Recomplete	<input type="checkbox"/> Other
	<input type="checkbox"/> Change Plans	<input type="checkbox"/> Plug and Abandon	<input type="checkbox"/> Temporarily Abandon	
	<input type="checkbox"/> Convert to Injection	<input type="checkbox"/> Plug Back	<input type="checkbox"/> Water Disposal	

13. Describe Proposed or Completed Operation: Clearly state all pertinent details, including estimated starting date of any proposed work and approximate duration thereof. If the proposal is to deepen directionally or recomplete horizontally, give subsurface locations and measured and true vertical depths of all pertinent markers and zones. Attach the Bond under which the work will be performed or provide the Bond No. on file with BLM/BIA. Required subsequent reports must be filed within 30 days following completion of the involved operations. If the operation results in a multiple completion or recompletion in a new interval, a Form 3160-4 must be filed once testing has been completed. Final Abandonment Notices must be filed only after all requirements, including reclamation, have been completed and the operator has determined that the site is ready for final inspection.)

14. I hereby certify that the foregoing is true and correct. Name (Printed/Typed)

Title

Signature

Date

**THE SPACE FOR FEDERAL OR STATE OFFICE USE**

Approved by

Title

Date

Conditions of approval, if any, are attached. Approval of this notice does not warrant or certify that the applicant holds legal or equitable title to those rights in the subject lease which would entitle the applicant to conduct operations thereon.

Office

Title 18 U.S.C Section 1001 and Title 43 U.S.C Section 1212, make it a crime for any person knowingly and willfully to make to any department or agency of the United States any false, fictitious or fraudulent statements or representations as to any matter within its jurisdiction.

(Instructions on page 2)

## GENERAL INSTRUCTIONS

This form is designed for submitting proposals to perform certain well operations and reports of such operations when completed as indicated on Federal and Indian lands pursuant to applicable Federal law and regulations. Any necessary special instructions concerning the use of this form and the number of copies to be submitted, particularly with regard to local area or regional procedures and practices, are either shown below, will be issued by or may be obtained from the local Federal office.

## SPECIFIC INSTRUCTIONS

*Item 4* - Locations on Federal or Indian land should be described in accordance with Federal requirements. Consult the local Federal office for specific instructions.

*Item 13*: Proposals to abandon a well and subsequent reports of abandonment should include such special information as is required by the local Federal office. In addition, such proposals and reports should include reasons for the abandonment; data on any former or present productive zones or other zones with present significant fluid contents not sealed off by cement or otherwise; depths (top and bottom) and method of placement of cement plugs; mud or other material placed below, between and above plugs; amount, size, method of parting of any casing, liner or tubing pulled and the depth to the top of any tubing left in the hole; method of closing top of well and date well site conditioned for final inspection looking for approval of the abandonment. If the proposal will involve **hydraulic fracturing operations**, you must comply with 43 CFR 3162.3-3, including providing information about the protection of usable water. Operators should provide the best available information about all formations containing water and their depths. This information could include data and interpretation of resistivity logs run on nearby wells. Information may also be obtained from state or tribal regulatory agencies and from local BLM offices.

## NOTICES

The privacy Act of 1974 and the regulation in 43 CFR 2.48(d) provide that you be furnished the following information in connection with information required by this application.

AUTHORITY: 30 U.S.C. 181 et seq., 351 et seq., 25 U.S.C. 396; 43 CFR 3160.

PRINCIPAL PURPOSE: The information is used to: (1) Evaluate, when appropriate, approve applications, and report completion of subsequent well operations, on a Federal or Indian lease; and (2) document for administrative use, information for the management, disposal and use of National Resource lands and resources, such as: (a) evaluating the equipment and procedures to be used during a proposed subsequent well operation and reviewing the completed well operations for compliance with the approved plan; (b) requesting and granting approval to perform those actions covered by 43 CFR 3162.3-2, 3162.3-3, and 3162.3-4; (c) reporting the beginning or resumption of production, as required by 43 CFR 3162.4-1(c) and (d) analyzing future applications to drill or modify operations in light of data obtained and methods used.

ROUTINE USES: Information from the record and/or the record will be transferred to appropriate Federal, State, local or foreign agencies, when relevant to civil, criminal or regulatory investigations or prosecutions in connection with congressional inquiries or to consumer reporting agencies to facilitate collection of debts owed the Government.

EFFECT OF NOT PROVIDING THE INFORMATION: Filing of this notice and report and disclosure of the information is mandatory for those subsequent well operations specified in 43 CFR 3162.3-2, 3162.3-3, 3162.3-4.

The Paperwork Reduction Act of 1995 requires us to inform you that:

The BLM collects this information to evaluate proposed and/or completed subsequent well operations on Federal or Indian oil and gas leases.

Response to this request is mandatory.

The BLM would like you to know that you do not have to respond to this or any other Federal agency-sponsored information collection unless it displays a currently valid OMB control number.

**BURDEN HOURS STATEMENT:** Public reporting burden for this form is estimated to average 8 hours per response, including the time for reviewing instructions, gathering and maintaining data, and completing and reviewing the form. Direct comments regarding the burden estimate or any other aspect of this form to U.S. Department of the Interior, Bureau of Land Management (1004-0137), Bureau Information Collection Clearance Officer (WO-630), 1849 C St., N.W., Mail Stop 401 LS, Washington, D.C. 20240

## Additional Information

### Location of Well

0. SHL: LOT 1 / 877 FNL / 400 FEL / TWSP: 22S / RANGE: 27E / SECTION: 3 / LAT: 32.4268 / LONG: -104.170299 ( TVD: 0 feet, MD: 0 feet )

PPP: LOT 1 / 660 FNL / 100 FEL / TWSP: 22S / RANGE: 27E / SECTION: 3 / LAT: 32.427401 / LONG: -104.169315 ( TVD: 8906 feet, MD: 8947 feet )

PPP: LOT 3 / 657 FNL / 2482 FWL / TWSP: 22S / RANGE: 27E / SECTION: 4 / LAT: 32.4273321 / LONG: -104.1953654 ( TVD: 9319 feet, MD: 17400 feet )

PPP: LOT 3 / 651 FNL / 2646 FEL / TWSP: 22S / RANGE: 27E / SECTION: 3 / LAT: 32.427379 / LONG: -104.177568 ( TVD: 9500 feet, MD: 9882 feet )

BHL: LOT 4 / 660 FNL / 20 FWL / TWSP: 22S / RANGE: 27E / SECTION: 4 / LAT: 32.42731 / LONG: -104.203347 ( TVD: 9260 feet, MD: 19863 feet )

CONFIDENTIAL

WAR CLUB 3-4 FED COM 821H

**1. Geologic Formations**

TVD of target	9262	Pilot hole depth	N/A
MD at TD:	19856	Deepest expected fresh water	

**Basin**

Formation	Depth (TVD) from KB	Water/Mineral Bearing/Target Zone?	Hazards*
Rustler	266		
Salt	417		
Base of Salt	736		
Delaware	2216		
Cherry Canyon	2921		
Brushy Canyon	3976		
1st Bone Spring Lime	5360		
Bone Spring 1st	6584		
Bone Spring 2nd	7377		
3rd Bone Spring Lime	7589		
Bone Spring 3rd	8570		
Wolfcamp	8906		

\*H2S, water flows, loss of circulation, abnormal pressures, etc.

WAR CLUB 3-4 FED COM 821H

**2. Casing Program (Primary Design)**

Hole Size	Csg. Size	Wt (PPF)	Grade	Conn	Casing Interval		Casing Interval	
					From (MD)	To (MD)	From (TVD)	To (TVD)
17 1/2	13 3/8	54 1/2	J-55	BTC	0	340	0	340
12 1/4	10 3/4	45 1/2	J-55	BTC SCC	0	2250	0	2250
7 7/8	5 1/2	20	P110CY	Wedge 461	0	19856	0	9262

•All casing strings will be tested in accordance with 43 CFR 3172. Must have table for contingency casing.

**3. Cementing Program**

Devon Energy requests to offline cement on intermediate strings that are set in formations shallower than the Wolfcamp. Prior to commencing offline cementing operations, the well will be monitored for any abnormal pressures and confirmed to be static. A dual manifold system (equipped with chokes) for the returns will also be utilized as a redundancy. All equipment used for offline cementing will have a minimum 5M rating to match intermediate sections' 5M BOPE requirements.

Casing	# Sks	TOC	Wt. ppg	Yld (ft3/sack)	Slurry Description
Surface	283	Surf	13.2	1.44	Lead: Class C Cement + additives
Int 1	182	Surf	13.0	2.3	Lead: Class C Cement + additives
	100	1750	13.2	1.44	Tail: Class H / C + additives
Production	453	1750	9	3.27	Lead: Class H / C + additives
	1442	8963	13.2	1.44	Tail: Class H / C + additives

Casing String	% Excess
Surface	50%
Intermediate 1	30%
Prod	10%

**4. Pressure Control Equipment (Three String Design)**

BOP installed and tested before drilling which hole?		Size?	Min. Required WP	Type	✓	Tested to:
Int 1	13-5/8"	5M	Annular	X	50% of rated working pressure	
			Blind Ram	X	5M	
			Pipe Ram			
			Double Ram	X		
			Other*			
Production	13-5/8"	5M	Annular (5M)	X	50% of rated working pressure	
			Blind Ram	X	5M	
			Pipe Ram			
			Double Ram	X		
			Other*			
			Annular (5M)			
			Blind Ram			
			Pipe Ram			
			Double Ram			
			Other*			
N	A variance is requested for the use of a diverter on the surface casing. See attached for schematic.					
Y	A variance is requested to run a 5 M annular on a 10M system					

**5. Mud Program (Three String Design)**

Section	Type	Weight (ppg)
Surface	FW Gel	8.5-9
Intermediate	DBE / Cut Brine	10-10.5
Production	OBM	10-10.5

Sufficient mud materials to maintain mud properties and meet minimum lost circulation and weight increase requirements will be kept on location at all times.

What will be used to monitor the loss or gain of fluid?	PVT/Pason/Visual Monitoring
---	-----------------------------

**6. Logging and Testing Procedures**

Logging, Coring and Testing	
X	Will run GR/CNL from TD to surface (horizontal well - vertical portion of hole). Stated logs run will be in the Completion Report and submitted to the BLM.
	No logs are planned based on well control or offset log information.
	Drill stem test? If yes, explain.
	Coring? If yes, explain.

Additional logs planned	Interval
	Resistivity
	Density
X	CBL
	Mud log
	PEX

**7. Drilling Conditions**

Condition	Specify what type and where?
BH pressure at deepest TVD	5057
Abnormal temperature	No

Mitigation measure for abnormal conditions. Describe. Lost circulation material/sweeps/mud scavengers.

Hydrogen Sulfide (H2S) monitors will be installed prior to drilling out the surface shoe. If H2S is detected in concentrations greater than 100 ppm, the operator will comply with the provisions of 43 CFR 3176. If Hydrogen Sulfide is encountered measured values and formations will be provided to the BLM.	
N	H2S is present
Y	H2S plan attached.

WAR CLUB 3-4 FED COM 821H

**8. Other facets of operation**

Is this a walking operation? Potentially

- 1 If operator elects, drilling rig will batch drill the surface holes and run/cement surface casing; walking the rig to next wells on the pad.
- 2 The drilling rig will then batch drill the intermediate sections and run/cement intermediate casing; the wellbore will be isolated with a blind flange and pressure gauge installed for monitoring the well before walking to the next well.
- 3 The drilling rig will then batch drill the production hole sections on the wells with OBM, run/cement production casing, and install TA caps or tubing heads for completions.

NOTE: During batch operations the drilling rig will be moved from well to well however, it will not be removed from the pad until all wells have production casing run/cemented.

Will be pre-setting casing? Potentially

- 1 Spudder rig will move in and batch drill surface hole.
  - a. Rig will utilize fresh water based mud to drill surface hole to TD. Solids control will be handled entirely on a closed loop basis.,
- 2 After drilling the surface hole section, the spudder rig will run casing and cement following all of the applicable rules and regulations (43 CFR 3172, all COAs and NMOCD regulations).
- 3 The wellhead will be installed and tested once the surface casing is cut off and the WOC time has been reached.
- 4 A blind flange with the same pressure rating as the wellhead will be installed to seal the wellbore. Pressure will be monitored with a pressure gauge installed on the wellhead.
- 5 Spudder rig operations is expected to take 4-5 days per well on a multi-well pa.
- 6 The NMOCD will be contacted and notified 24 hours prior to commencing spudder rig operations.
- 7 Drilling operations will be performed with drilling rig. A that time an approved BOP stack will be nipped up and tested on the wellhead before drilling operations commences on each well.
  - a. The NMOCD will be contacted / notified 24 hours before the drilling rig moves back on to the pad with the pre-set surface casing.

Attachments

- X Directional Plan
- Other, describe

# BOPE Break Test Variance

10/2025  
REV4



NYSE: DVN  
devonenergy.com



# BOPE Break Test Variance (Less than 12,000' TVD)

## **Devon is respectfully pursuing a variance to the minimum standards to allow a testing schedule of the blow out prevention equipment (BOPE) along with Stump Testing, Batch Drilling & Offline Cementing operations to include the following:**

- Conduct a full 10k BOPE and 5k Annular test upon initial installation on the pad.
- If the rig has the ability to do a Stump Test, this is permitted for initial installation.
- Perform full BOPE tests every 21 days thereafter.
- Intermediate & Production Break-testing is permitted to the base of the Wolfcamp or shallower (limited to 12,000' TVD).
- Once the well is secured and BLM has been notified, disconnect the BOP and walk the rig to the next well on the pad.
  - If any unusual events occur during drilling, tripping, or casing operations, break-testing will not be performed
  - If offset fracturing is observed within 1.0 mile in the same producing horizon, break-testing in the production section will not be performed.
- Each rig requesting a break-test variance must be capable of picking up the BOP without damaging components, using winches and following API Standard 53 (Fifth Edition, December 2018, Annex C, Table C.4), which recognizes break-testing as an acceptable practice.
- Function tests will be performed on the following BOP elements:
  - Annular: During each full BOPE test and at least weekly.
  - Pipe Rams: On every trip and on trip-ins where a FIT is required.
  - Blind Rams: On every trip.
- Break-testing the BOP allows for offline cementing and/or remediation (if needed) of any surface, intermediate, or production sections, in accordance with the attached offline cementing support documentation.
- After securing the well section, disconnect the BOP from the wellhead and walk it with the rig to another well on the pad.
- Install a TA cap per Cactus Wellhead procedures and monitor casing pressure via the valve on the TA cap.

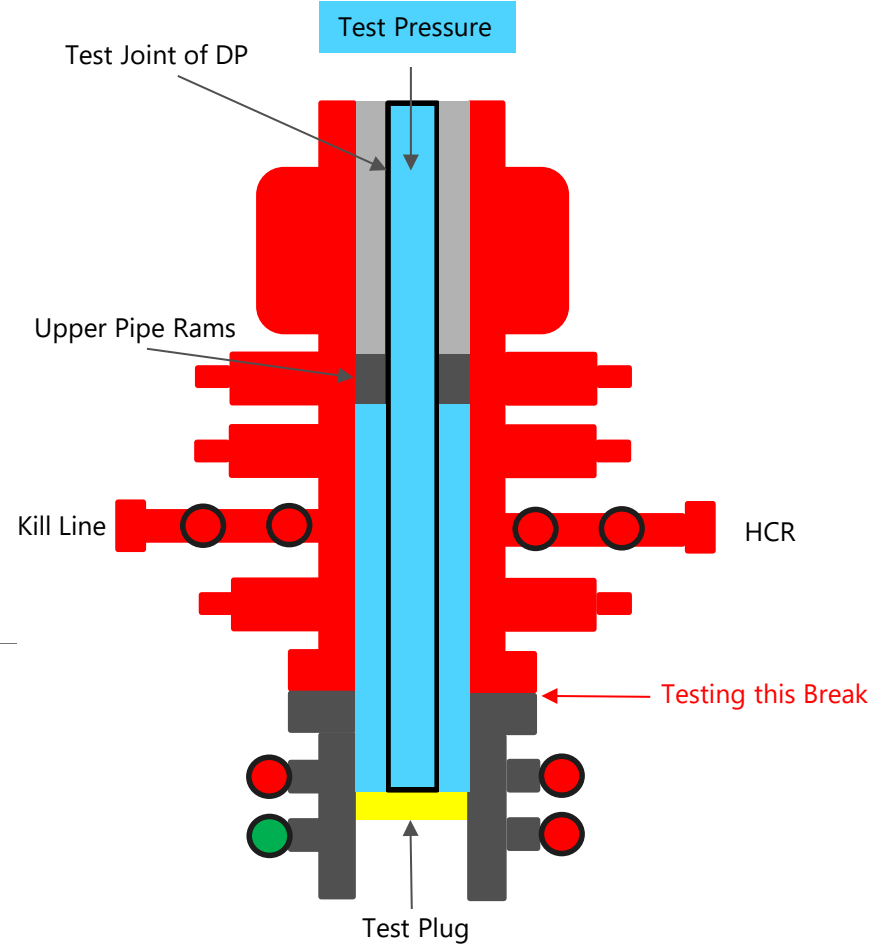
# BOPE Break Test Variance (Less than 12,000' TVD)

## Test Procedure:

1. Makeup test plug on DP and set in Wellhead.
2. Close Upper Pipe Rams around DP.
3. Close Kill Line & HCR.
4. Open wellhead valve to ensure if pressure leaks past plug, it won't pressure up wellbore.
5. Tie into top of DP at Rig Floor. Fill with water and test Break + Pipe Rams to 250psi low and 10,000psi high.
6. Bleed off pressure.
7. Open Upper Pipe Rams, close wellhead valve and lay down test plug and DP.

## Component Table:

Components	Offline	Offline, BOPE	Break	Online
Upper Rams		X	X	X
Blind Rams		X		X
Lower Rams				X
Outside Kill Valve		X	X	X
Inside Kill Valve		X	X	X
Kill Line Check Valve		X	X	X
Inside Choke Valve		X	X	X
HCR		X	X	X
Kill Line	X			X
Annular		X	X	X
Choke Manifold Valves and Hose	X			X
Mudline (Mud Pumps, Rig Floor Valves, Kelly Hose, Mud Line)	X			X
Standpipe Valve	X			X
IBOP (Upper and Lower)	X			X



Devon requests offline BOPE testing for the following components: Upper Rams, Blind Rams, Kill Valves, Choke Valves, and Annular

Remaining well control equipment components will either be tested offline or online, per BLM approval

Remaining BOPE will be tested online within 72 hours from completing the offline BOPE component testing

Notify the BLM if the online BOPE testing exceeds 72-hours

All Full Tests not completed "Offline" or "Offline, BOPE" are required to be completed Online

Thank you.



# Devon Energy Offline Production Cementing

10/2025

REV5



NYSE: DVN  
devonenergy.com

---



# Offline Production Cementing Variance

---

**Devon is respectfully pursuing a variance to the minimum standards to allow for the cementing of the Production Casing offline in the Wolfcamp and shallower producing horizons.**

**To ensure personnel safety and well integrity, strict eligibility requirements will be enforced, and a detailed procedure will be followed.**

**The following slides outline the eligibility requirements, offline procedure, schematics and pressure ratings.**

# Offline Production Eligibility

---

## Offline Punch List:

**The well must meet all criteria to qualify for offline cementing.**

- A) Well is in the Wolfcamp or shallower bench.
- B) No unusual events were observed during drilling, tripping or casing operations.
- C) Casing successfully landed out on casing hanger (fluted or solid).
- D) Devon Company Men with Well Control certifications will monitor returns (bbl in / bbl out) to ensure well control is maintained.
- E) Rig Manager will oversee the walking of the rig to the next well.
- F) All barriers **MUST** test and at no point will there be less than 2 barriers in place.
- G) No offset frac operations occurring within 1.0 mile in the same bench.
- H) Once all criteria are met and BLM is notified, Devon may proceed with ND BOP and continue offline operations.

**Note: Devon will NOT drill out the next deep intermediate until cementing on the offline well is complete.**

# Offline Procedure

---

- **Devon's Proposed Production Offline Procedure:**
- Run casing and perform negative pressure test during casing run to verify integrity of float equipment's 10M backpressure valves.
- Review Devon's "Punch List" to determine if well is a viable candidate.
- Continue running casing and land casing out on Cactus mandrel hanger.
- Fill casing with KWM and perform flow check ensuring well is static.
  - If well is not static, build pressure or acting abnormal in any way - abort offline operations.
- Install 10M packoff and test same. After successful test, engage locking ring and L/D running tool.
- Install 10M backpressure valve in WH from rig floor.
  - Note: 3 Casing barriers and 2 Annular barriers currently in place.
- Once well is secured and BLM notified, ND BOP and walk rig to next well on pad.
  - If ANY barrier fails to test – the well will be cemented online.
  - Devon Company Man and Devon Cementer will oversee Cementing Operations
  - Rig Manager will walk the rig to the next well.
  - Drill out operations on next deep intermediate will not begin until cementing operations have concluded on the offline well.
- Install 10M Gate Valve and Cactus WH adapter.
- Test connection between WH adapter seals, hanger neck, and ring gasket to 10,000psi.
- Open Frac Valve and remove BPV.
- RU cement head, cement iron, return lines and test same.
- Once all equipment is rigged up, barriers tested and ready to cement, notify BLM of intent to Cement Offline.

# Offline Procedure

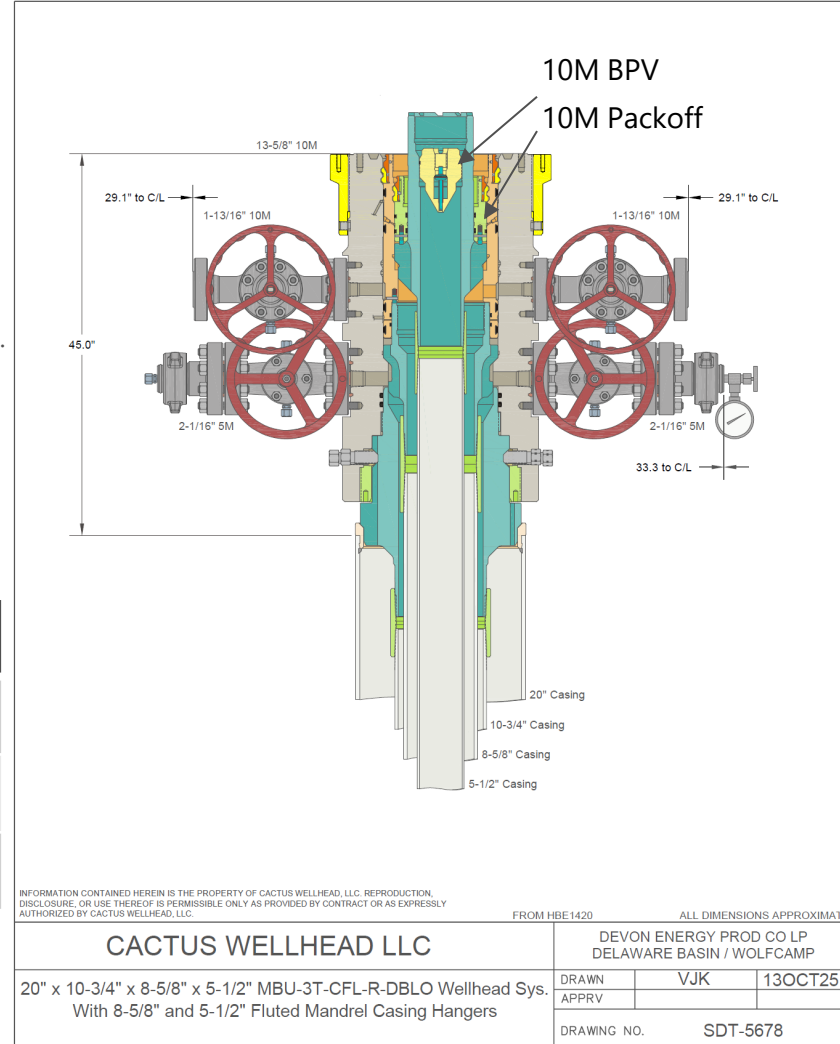
---

- **Devon's Proposed Production Offline Procedure (continued):**
- Perform offline cement job.
- If an influx is observed during the cement job:
  - The Day and Night Company Men will redirect returns from Cementing Manifold to the Rig's choke manifold and hold appropriate backpressure to circulate out influx.
  - If annular surface pressure approaches 25% of the tested pressure of the surface return equipment, or if circulating the influx out with the cementing pumps is not feasible, the well can be secured by closing the 10M casing valves.\*
- Bump plug and ensure floats are holding.
  - If plug does not bump or floats do not hold, either the Gate Valve or Cement Head may be closed while we WOC.
- RD cement head and install BPV.
- Remove Gate Valve and WH adapter.
- Install TA Cap with pressure gauge and test same.
- **\*Note\*** - If the well is within the KPLA, and an uncemented annulus between the Production and Intermediate casing has been utilized; then cement shall be squeezed down both casing valves within 180 days of the well's completion and displaced with a treated fresh water to a TOC below the potash interval and marker bed number 126, with a minimum of 500' tie-back inside the Intermediate Casing as per R111Q.

\*Note – This hasn't been observed

# Offline Procedure – Detailed

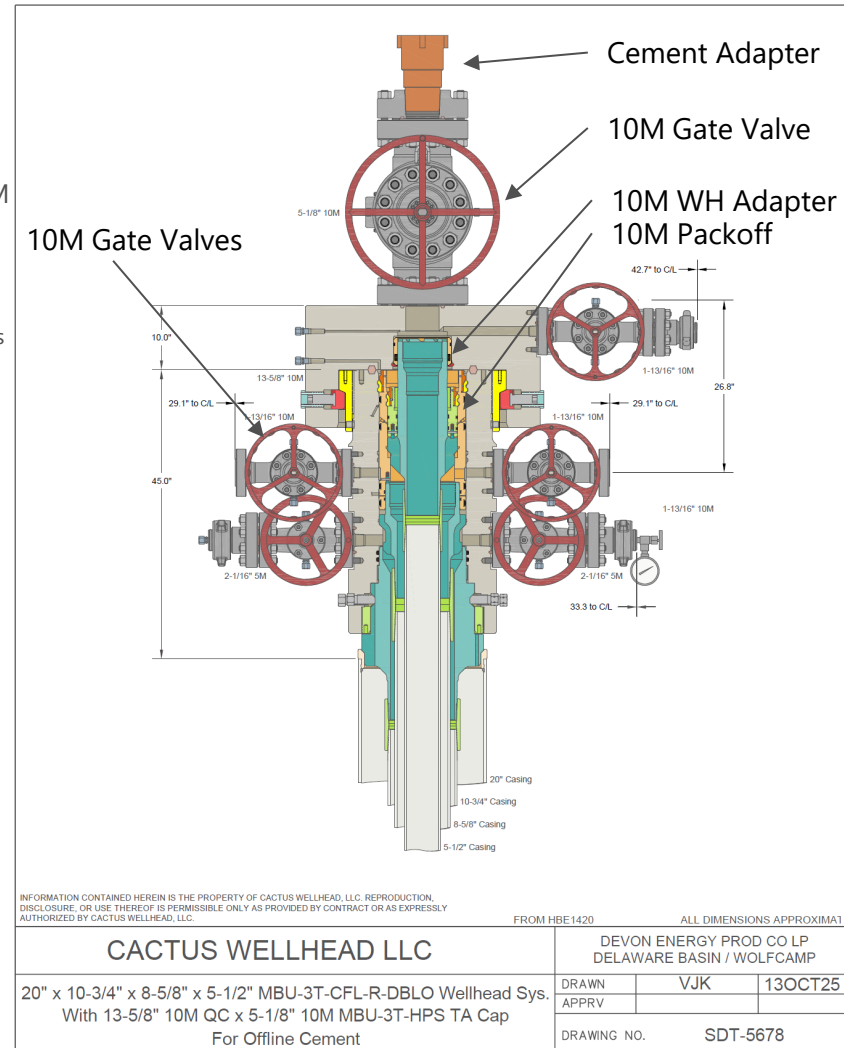
- Run casing and perform negative pressure test during casing run to verify integrity of float equipment’s 10,000psi backpressure valves.
  - Review Devon’s “Punch List” to determine if well is a viable candidate.
- Continue running casing and land casing out on Cactus mandrel hanger.
- Fill casing with KWM and perform flow check ensuring well is static.
- Install packoff rated to 10,000psi and test same. After successful test, engage locking ring and L/D running tool.
- Install backpressure valve in WH from rig floor.
  - Note: 3 Casing barriers and 2 Annular barriers currently in place.
- Once well is secured and BLM notified, ND BOP and walk rig to next well on pad.
  - If ANY barrier fails to test – the well will be cemented online.
  - Devon PIC and Devon Cementer will oversee Cementing Operations
  - Rig Manager will walk the rig to the next well.
  - Drill out operations on next deep intermediate will not begin until cementing operations have concluded on the offline well.



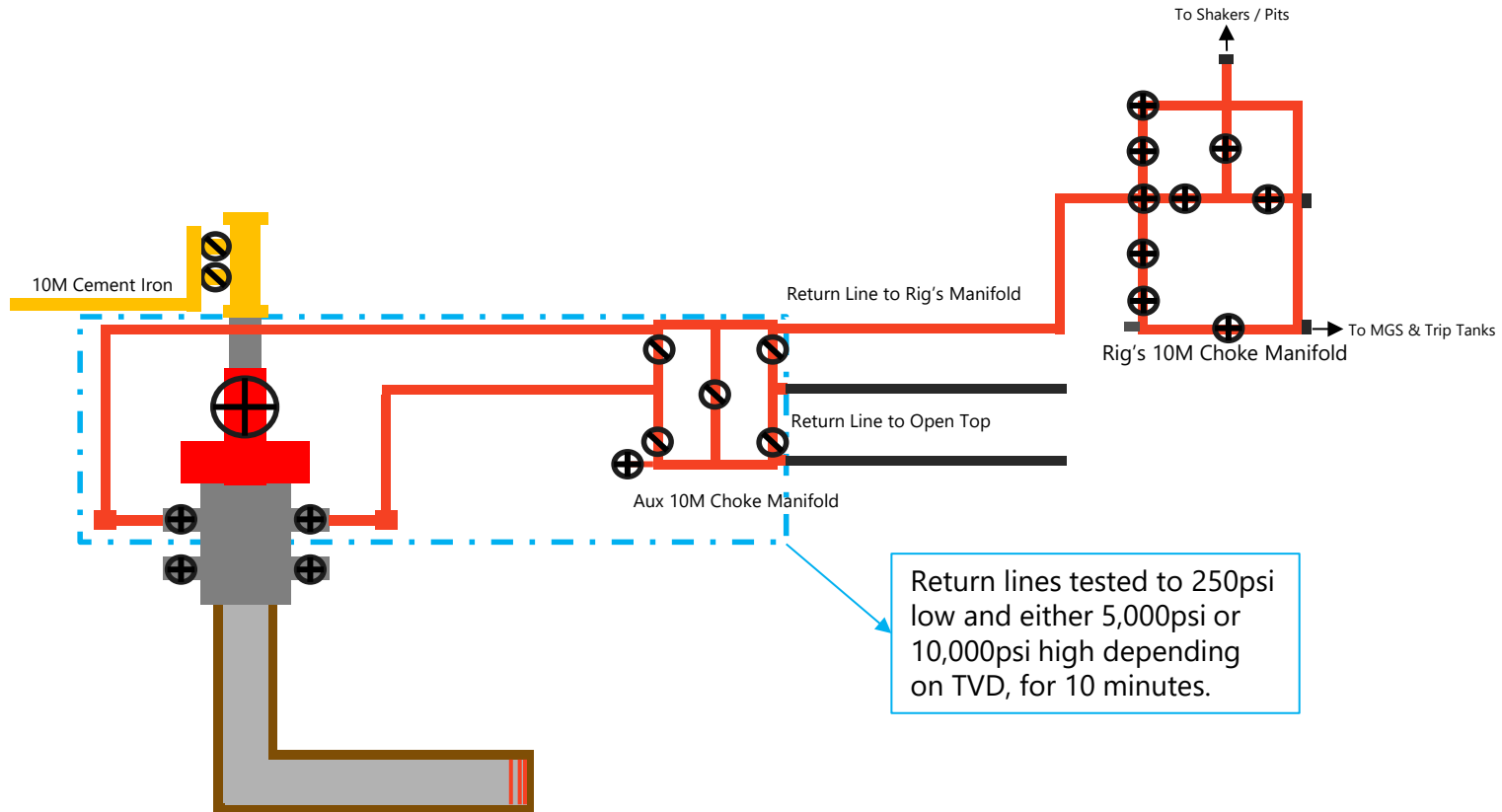
Casing Barrier	Rating	Backside Barrier	Rating
BPV	10,000psi	KWM	> BHP
KWM	> BHP	Packoff	10,000psi
Float Valves (x3)	10,000psi		

# Offline Procedure – Detailed

- Install 10M Frac Valve and Cactus WH adapter.
- Test connection between WH adapter seals, hanger neck, and ring gasket to 10,000psi.
- Open Frac Valve and remove BPV.
- RU cement head, cement iron, return lines and test same.
- Once all equipment is rigged up, barriers tested and ready to cement, notify BLM of intent to Cement Offline.
- Perform offline cement job.
- If an influx is observed during the cement job:
  - The Day and Night Company Men will redirect returns from Cementing Manifold to the Rig's choke manifold and hold appropriate backpressure to circulate out influx.
  - If annular surface pressure approaches 25% of the tested pressure of the surface return equipment, or if circulating the influx out with the cementing pumps is not feasible, the well can be secured by closing the 10M casing valves.
- Bump plug and ensure floats are holding.
  - If plug does not bump or floats do not hold, either the Gate Valve or Cement Head may be closed while we WOC.
- RD cement head and install BPV.
- Remove Gate Valve and WH adapter.
- Install TA Cap with pressure gauge and test same.



# Offline Flow Path



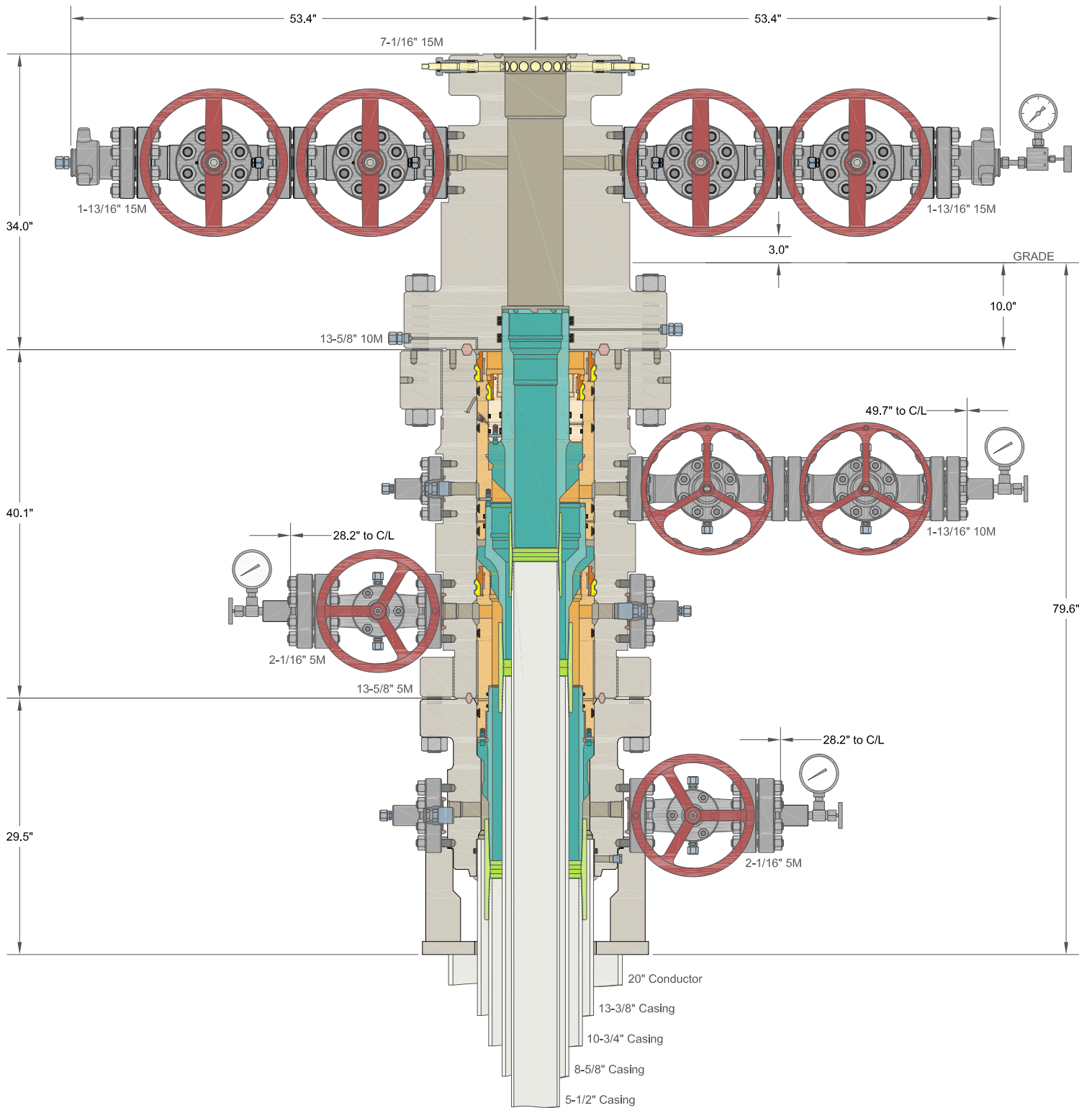
- ⊕ 10M Valve / Choke
- ⊘ 10M Low Torq

Note:

- All lines are 10M rated and tested to **5,000psi for wells less than 12,000' TVD**
- All lines are 10M rated and tested to **10,000psi for wells greater than 12,000' TVD**
- Minimum of 2 barriers in place at ALL times
- Never had to circulate out an influx during an Offline job

Thank you.





INFORMATION CONTAINED HEREIN IS THE PROPERTY OF CACTUS WELLHEAD, LLC. REPRODUCTION, DISCLOSURE, OR USE THEREOF IS PERMISSIBLE ONLY AS PROVIDED BY CONTRACT OR AS EXPRESSLY AUTHORIZED BY CACTUS WELLHEAD, LLC.

ALL DIMENSIONS APPROXIMATE

# CACTUS WELLHEAD LLC

# DEVON ENERGY PROD CO LP WOLFCAMP

20" x 13-3/8" x 10-3/4" x 8-5/8" x 5-1/2" MBU-4T SOW System  
 With 13-5/8" 10M x 7-1/16" 15M CTH-HPS Tubing Head  
 And 10-3/4" & 8-5/8" & 5-1/2" Pin Down Mandrel Casing Hangers

DRAWN	DLE	16MAY22
APPRV		
DRAWING NO.	HBE0000741	



# TenarisHydril Wedge 461<sup>®</sup>



Coupling	Pipe Body
Grade: P110-ICY	Grade: P110-ICY
Body: White	1st Band: White
1st Band: Pale Green	2nd Band: Pale Green
2nd Band: -	3rd Band: Pale Green
3rd Band: -	4th Band: -
	5th Band: -
	6th Band: -

Outside Diameter	5.500 in.	Wall Thickness	0.361 in.	Grade	P110-ICY
Min. Wall Thickness	87.50 %	Pipe Body Drift	API Standard	Type	Casing
Connection OD Option	REGULAR				

### Pipe Body Data

Geometry		Performance	
Nominal OD	5.500 in.	Wall Thickness	0.361 in.
Nominal Weight	20.00 lb/ft	Plain End Weight	19.83 lb/ft
Drift	4.653 in.	OD Tolerance	API
Nominal ID	4.778 in.		
		Body Yield Strength	729 x1000 lb
		Min. Internal Yield Pressure	14,360 psi
		SMYS	125,000 psi
		Collapse Pressure	12,300 psi

### Connection Data

Geometry		Performance		Make-Up Torques	
Connection OD	6.300 in.	Tension Efficiency	100 %	Minimum	17,000 ft-lb
Coupling Length	7.714 in.	Joint Yield Strength	729 x1000 lb	Optimum	18,000 ft-lb
Connection ID	4.778 in.	Internal Pressure Capacity	14,360 psi	Maximum	21,600 ft-lb
Make-up Loss	3.775 in.	Compression Efficiency	100 %		
Threads per inch	3.40	Compression Strength	729 x1000 lb	Operation Limit Torques	
Connection OD Option	Regular	Max. Allowable Bending	104 °/100 ft	Operating Torque	43,000 ft-lb
		External Pressure Capacity	12,300 psi	Yield Torque	51,000 ft-lb
		Coupling Face Load	329,000 lb	Buck-On	
				Minimum	21,600 ft-lb
				Maximum	23,100 ft-lb

### Notes

This connection is fully interchangeable with:  
 Wedge 441® - 5.5 in. - 0.304 (17.00) / 0.361 (20.00) in. (lb/ft)  
 Wedge 461® - 5.5 in. - 0.304 (17.00) / 0.415 (23.00) / 0.476 (26.00) in. (lb/ft)  
 Connections with Dopeless® Technology are fully compatible with the same connection in its doped version  
 In October 2019, TenarisHydril Wedge XP® 2.0 was renamed TenarisHydril Wedge 461™. Product dimensions and properties remain identical and both connections are fully interchangeable

For the latest performance data, always visit our website: [www.tenaris.com](http://www.tenaris.com)  
 For further information on concepts indicated in this datasheet, download the Datasheet Manual from [www.tenaris.com](http://www.tenaris.com)

Tenaris has issued this document for general information only, and the information in this document, including, without limitation, any pictures, drawings or designs ("Information") is not intended to constitute professional or any other type of advice or recommendation and is provided on an "as is" basis. No warranty is given. Tenaris has not independently verified any information—if any—provided by the user in connection with, or for the purpose of, the Information contained hereunder. The use of the Information is at user's own risk and Tenaris does not assume any responsibility or liability of any kind for any loss, damage or injury resulting from, or in connection with any Information contained hereunder or any use thereof. The Information in this document is subject to change or modification without notice. Tenaris's products and services are subject to Tenaris's standard terms and conditions or otherwise to the terms resulting from the respective contracts of sale or services, as the case may be, between petitioner and Tenaris. For more complete information please contact a Tenaris's representative or visit our website at [www.tenaris.com](http://www.tenaris.com). ©Tenaris 2024. All rights reserved.



**10-3/4"    45.50#        0.400"        J-55**

**Dimensions (Nominal)**

Outside Diameter	10.750	in.
Wall	0.400	in.
Inside Diameter	9.950	in.
Drift	9.875	in.
Weight, T&C	45.500	lbs/ft
Weight, PE	44.260	lbs/ft

**Performance Properties**

Collapse	2090	psi
Internal Yield Pressure at Minimum Yield		
PE	3580	psi
STC	3580	psi
BTC	3580	psi
Yield Strength, Pipe Body	715	1000 lbs
Joint Strength		
STC	493	1000 lbs
BTC	796	1000 lbs
BTC Special Clearance (11.25" OD Cplg)	506	1000 lbs

Note: SeAH Steel has produced this specification sheet for general information only. SeAH does not assume liability or responsibility for any loss or injury resulting from the use of information or data contained herein. All applications for the material described are at the customer's own risk and responsibility.



**13-3/8"   54.50#   .380   J-55**

**Dimensions (Nominal)**

Outside Diameter	13.375	in.
Wall	0.380	in.
Inside Diameter	12.615	in.
Drift	12.459	in.
Weight, T&C	54.500	lbs/ft
Weight, PE	52.790	lbs/ft

**Performance Ratings, Minimum**

Collapse, PE	1130	psi
Internal Yields Pressure		
PE	2730	psi
STC	2730	PSI
BTC	2730	psi
Yield Strength, Pipe Body	853	1000 lbs
Joint Strength, STC	514	1000 lbs
Joint Strength, BTC	909	1000 lbs

Note: SeAH Steel has produced this specification sheet for general information only. SeAH does not assume liability or responsibility for any loss or injury resulting from the use of information or data contained herein. All applications for the material described are at the customer's own risk and responsibility.

## Devon Energy Annular Preventer Summary

### 1. Component and Preventer Compatibility Table

The table below, which covers the drilling and casing of the 10M MASP portion of the well, outlines the tubulars and the compatible preventers in use. This table, combined with the mud program, documents that two barriers to flow can be maintained at all times, independent of the rating of the annular preventer.

6-3/4" Production hole section, 10M requirement

Component	OD	Preventer	RWP
Drillpipe	4.5"	Fixed lower 4.5" Upper 4.5-7" VBR	10M
HWDP	4.5"	Fixed lower 4.5" Upper 4.5-7" VBR	10M
Drill collars and MWD tools	4.75"	Upper 4.5-7" VBR	10M
Mud Motor	4.75"	Upper 4.5-7" VBR	10M
Production casing	5.5"	Upper 4.5-7" VBR	10M
ALL	0-13-5/8"	Annular	5M
Open-hole	-	Blind Rams	10M

VBR = Variable Bore Ram. Compatible range listed in chart.

### 2. Well Control Procedures

Well control procedures are specific to the rig equipment and the operation at the time the kick occurs. Below are the minimal high-level tasks prescribed to assure a proper shut-in while drilling, tripping, running casing, pipe out of the hole (open hole), and moving the BHA through the BOPs. The pressure at which control is swapped from the annular to another compatible ram is variable, but the operator will document in the submission their operating pressure limit. The operator may chose an operating pressure less than or equal to RWP, but in no case will it exceed the RWP of the annular preventer.

#### General Procedure While Drilling

1. Sound alarm (alert crew)
2. Space out drill string
3. Shut down pumps (stop pumps and rotary)
4. Shut-in Well (uppermost applicable BOP, typically annular preventer first. HCR and choke will already be in the closed position.)
5. Confirm shut-in
6. Notify toolpusher/company representative
7. Read and record the following:
  - a. SIDPP and SICP
  - b. Pit gain
  - c. Time
8. Regroup and identify forward plan
9. If pressure has built or is anticipated during the kill to reach the RWP of the annular preventer, confirm spacing and swap to the upper pipe ram.

## Devon Energy Annular Preventer Summary

### General Procedure While Tripping

1. Sound alarm (alert crew)
2. Stab full opening safety valve and close
3. Space out drill string
4. Shut-in (uppermost applicable BOP, typically annular preventer first. HCR and choke will already be in the closed position.)
5. Confirm shut-in
6. Notify toolpusher/company representative
7. Read and record the following:
  - a. SIDPP and SICP
  - b. Pit gain
  - c. Time
8. Regroup and identify forward plan
9. If pressure has built or is anticipated during the kill to reach the RWP of the annular preventer, confirm spacing and swap to the upper pipe ram.

### General Procedure While Running Casing

1. Sound alarm (alert crew)
2. Stab crossover and full opening safety valve and close
3. Space out string
4. Shut-in (uppermost applicable BOP, typically annular preventer first. HCR and choke will already be in the closed position.)
5. Confirm shut-in
6. Notify toolpusher/company representative
7. Read and record the following:
  - a. SIDPP and SICP
  - b. Pit gain
  - c. Time
8. Regroup and identify forward plan
9. If pressure has built or is anticipated during the kill to reach the RWP of the annular preventer, confirm spacing and swap to compatible pipe ram.

### General Procedure With No Pipe In Hole (Open Hole)

1. Sound alarm (alert crew)
2. Shut-in with blind rams or BSR. (HCR and choke will already be in the closed position.)
3. Confirm shut-in
4. Notify toolpusher/company representative
5. Read and record the following:
  - a. SICP
  - b. Pit gain
  - c. Time
6. Regroup and identify forward plan

## Devon Energy Annular Preventer Summary

### General Procedures While Pulling BHA thru Stack

1. PRIOR to pulling last joint of drillpipe thru the stack.
  - a. Perform flowcheck, if flowing:
  - b. Sound alarm (alert crew)
  - c. Stab full opening safety valve and close
  - d. Space out drill string with tool joint just beneath the upper pipe ram.
  - e. Shut-in using upper pipe ram. (HCR and choke will already be in the closed position.)
  - f. Confirm shut-in
  - g. Notify toolpusher/company representative
  - h. Read and record the following:
    - i. SIDPP and SICP
    - ii. Pit gain
    - iii. Time
  - i. Regroup and identify forward plan
  
2. With BHA in the stack and compatible ram preventer and pipe combo immediately available.
  - a. Sound alarm (alert crew)
  - b. Stab crossover and full opening safety valve and close
  - c. Space out drill string with upset just beneath the compatible pipe ram.
  - d. Shut-in using compatible pipe ram. (HCR and choke will already be in the closed position.)
  - e. Confirm shut-in
  - f. Notify toolpusher/company representative
  - g. Read and record the following:
    - i. SIDPP and SICP
    - ii. Pit gain
    - iii. Time
  - h. Regroup and identify forward plan
  
3. With BHA in the stack and NO compatible ram preventer and pipe combo immediately available.
  - a. Sound alarm (alert crew)
  - b. If possible to pick up high enough, pull string clear of the stack and follow "Open Hole" scenario.
  - c. If impossible to pick up high enough to pull the string clear of the stack:
  - d. Stab crossover, make up one joint/stand of drillpipe, and full opening safety valve and close
  - e. Space out drill string with tooljoint just beneath the upper pipe ram.
  - f. Shut-in using upper pipe ram. (HCR and choke will already be in the closed position.)
  - g. Confirm shut-in
  - h. Notify toolpusher/company representative
  - i. Read and record the following:
    - i. SIDPP and SICP
    - ii. Pit gain
    - iii. Time
  - j. Regroup and identify forward plan

U.S. Department of the Interior  
BUREAU OF LAND MANAGEMENT

<b>Well Name:</b> WAR CLUB 3-4 FED COM	<b>Well Location:</b> T22S / R27E / SEC 3 / LOT 1 / 32.4268 / -104.170299	<b>County or Parish/State:</b> EDDY / NM
<b>Well Number:</b> 821H	<b>Type of Well:</b> OIL WELL	<b>Allottee or Tribe Name:</b>
<b>Lease Number:</b> NMNM0473303A	<b>Unit or CA Name:</b>	<b>Unit or CA Number:</b>
<b>US Well Number:</b>	<b>Operator:</b> DEVON ENERGY PRODUCTION COMPANY LP	

**Notice of Intent**

**Sundry ID:** 2885960

**Type of Submission:** Notice of Intent

**Type of Action:** APD Change

**Date Sundry Submitted:** 12/09/2025

**Time Sundry Submitted:** 09:25

**Date proposed operation will begin:** 12/09/2025

**Procedure Description:** Devon Energy Production Company, L.P. respectfully requests the following changes to the approved APD: Casing program change: Surface, Intermediate, & Production casing changes. Cement volume changes to accommodate casing change. Break test and offline cementing variance in regards to intermediate and production casing. Please see attached Drill plan, spec sheets, break test, and offline cementing.

**NOI Attachments**

**Procedure Description**

- WAR\_CLUB\_3\_4\_FED\_COM\_821H\_12\_22\_2025\_20251222102316.pdf
- Production\_Break\_Testing\_Variance\_\_WFMP\_\_Shallower\_\_BLM\_v4\_20251209092242.pdf
- Offline\_Production\_Cement\_\_WFMP\_\_Shallower\_\_BLM\_v5\_20251209092241.pdf
- MB\_Wellhd\_10M\_4\_STRING\_13.375\_10.75\_8.625\_5.55\_20251209092240.pdf
- 5.5\_20lb\_P110\_ICY\_Wedge\_461\_20251209092240.pdf
- 10.75\_45.5lb\_J55\_BTC\_20251209092240.pdf
- 13.375\_54.5lb\_J55\_20251209092240.pdf
- Annular\_Preventer\_Summary\_20251209092240.pdf

Well Name: WAR CLUB 3-4 FED COM

Well Location: T22S / R27E / SEC 3 / LOT 1 / 32.4268 / -104.170299

County or Parish/State: EDDY / NM

Well Number: 821H

Type of Well: OIL WELL

Allottee or Tribe Name:

Lease Number: NMNM0473303A

Unit or CA Name:

Unit or CA Number:

US Well Number:

Operator: DEVON ENERGY PRODUCTION COMPANY LP

**Operator**

I certify that the foregoing is true and correct. Title 18 U.S.C. Section 1001 and Title 43 U.S.C. Section 1212, make it a crime for any person knowingly and willfully to make to any department or agency of the United States any false, fictitious or fraudulent statements or representations as to any matter within its jurisdiction. Electronic submission of Sundry Notices through this system satisfies regulations requiring a

Operator Electronic Signature: SHANDEE THOMAS

Signed on: DEC 22, 2025 10:23 AM

Name: DEVON ENERGY PRODUCTION COMPANY LP

Title: Regulatory Professional

Street Address: 333 W SHERDIAN AVE

City: OKLAHOMA CITY State: OK

Phone: (405) 552-7853

Email address: SHANDEE.THOMAS@DVN.COM

**Field**

Representative Name:

Street Address:

City: State: Zip:

Phone:

Email address:

**BLM Point of Contact**

BLM POC Name: LONG VO

BLM POC Title: Petroleum Engineer

BLM POC Phone: 5759885402

BLM POC Email Address: LVO@BLM.GOV

Disposition: In-Reviews

Disposition Date: 12/22/2025

Signature: Long Vo

## PECOS DISTRICT DRILLING CONDITIONS OF APPROVAL

<b>OPERATOR'S NAME:</b>	Devon Energy Production Company LP
<b>LOCATION:</b>	Section 3, T.22 S., R.27 E., NMPM
<b>COUNTY:</b>	Eddy County, New Mexico

<b>WELL NAME &amp; NO.:</b>	War Club 2-3 Fed Com 821H
<b>ATS/API ID:</b>	ATS-24-3036
<b>APD ID:</b>	10400101198
<b>Sundry ID:</b>	2885960

COA

H2S	Yes		
Potash	None	None	
Cave/Karst Potential	Medium		
Cave/Karst Potential	<input type="checkbox"/> Critical		
Variance	<input checked="" type="checkbox"/> None	<input checked="" type="checkbox"/> Flex Hose	<input checked="" type="checkbox"/> Other
Wellhead	Conventional and Multibowl		
Other	<input type="checkbox"/> 4 String <input type="checkbox"/> 5 String	Capitan Reef None	<input type="checkbox"/> WIPP
Other	Pilot Hole None	<input type="checkbox"/> Open Annulus	
Cementing	Contingency Squeeze None	Echo-Meter None	Primary Cement Squeeze None
Special Requirements	<input type="checkbox"/> Water Disposal/Injection	<input checked="" type="checkbox"/> COM	<input type="checkbox"/> Unit
Special Requirements	<input type="checkbox"/> Batch Sundry	Waste Prevention None	
Special Requirements Variance	<input checked="" type="checkbox"/> BOPE Break Testing <input checked="" type="checkbox"/> Offline BOPE Testing	<input checked="" type="checkbox"/> Offline Cementing	<input type="checkbox"/> Casing Clearance

## A. HYDROGEN SULFIDE

A Hydrogen Sulfide (H<sub>2</sub>S) Drilling Plan shall be activated 500 feet prior to drilling into the **Delaware** formation. As a result, the Hydrogen Sulfide area must meet **43 CFR part 3170 Subpart 3176** requirements, which includes equipment and personnel/public protection items. If Hydrogen Sulfide is encountered, please provide measured values and formations to the BLM.

## B. CASING

1. The **13-3/8** inch surface casing shall be set at approximately **375 feet** (a minimum of 70 feet into the Rustler Anhydrite and above the salt when present, and below usable fresh water) and cemented to the surface. The surface hole shall be **17 1/2** inch in diameter.
  - a. If cement does not circulate to the surface, the appropriate BLM office shall be notified and a temperature survey utilizing an electronic type temperature survey with surface log readout will be used or a cement bond log shall be run to verify the top of the cement. Temperature survey will be run a minimum of six hours after pumping cement and ideally between 8-10 hours after completing the cement job.
  - b. Wait on cement (WOC) time for a primary cement job will be a minimum of **8 hours** or 500 pounds compressive strength, whichever is greater. (This is to include the lead cement)
  - c. Wait on cement (WOC) time for a remedial job will be a minimum of 4 hours after bringing cement to surface or 500 pounds compressive strength, whichever is greater.
  - d. If cement falls back, remedial cementing will be done prior to drilling out that string.
2. The minimum required fill of cement behind the **10-3/4** inch intermediate casing is:
  - Cement to surface. If cement does not circulate see B.1.a, c-d above.  
**Wait on cement (WOC) time for a primary cement job is to include the lead cement slurry due to cave/karst or potash. Cement excess is less than 25%, more cement is required if washout occurs. Adjust cement volume and excess based on a fluid caliper or similar method that reflects the as-drilled size of the wellbore.**
  - ❖ In Medium Cave/Karst Areas if cement does not circulate to surface on the first two casing strings, the cement on the 3rd casing string must come to surface.

3. The minimum required fill of cement behind the 5-1/2 inch production casing is:
  - Cement should tie-back at least **200 feet** into previous casing string. Operator shall provide method of verification.  
**Wait on cement (WOC) time for a primary cement job is to include the lead cement slurry due to cave/karst or potash.**  
**Cement excess is less than 25%, more cement is required if washout occurs. Adjust cement volume and excess based on a fluid caliper or similar method that reflects the as-drilled size of the wellbore.**

### C. PRESSURE CONTROL

1. Variance approved to use flex line from BOP to choke manifold. Manufacturer's specification to be readily available. No external damage to flex line. Flex line to be installed as straight as possible (no hard bends).'
- 2.

#### Option 1:

- a. Minimum working pressure of the blowout preventer (BOP) and related equipment (BOPE) required for drilling below the surface casing shoe shall be **3000 (3M)** psi.
- b. Minimum working pressure of the blowout preventer (BOP) and related equipment (BOPE) required for drilling below the **10-3/4** inch intermediate casing shoe shall be **5000 (5M)** psi.

#### Option 2:

Operator has proposed a multi-bowl wellhead assembly. This assembly will only be tested when installed on the **13-3/8** inch surface casing. Minimum working pressure of the blowout preventer (BOP) and related equipment (BOPE) required for drilling below the surface casing shoe shall be **5000 (5M)** psi.

- a. Wellhead shall be installed by manufacturer's representatives, submit documentation with subsequent sundry.
- b. If the welding is performed by a third party, the manufacturer's representative shall monitor the temperature to verify that it does not exceed the maximum temperature of the seal.
- c. Manufacturer representative shall install the test plug for the initial BOP test.
- d. If the cement does not circulate and one inch operations would have been possible with a standard wellhead, the well head shall be cut off, cementing operations performed and another wellhead installed.
- e. Whenever any seal subject to test pressure is broken, all the tests in 43 CFR 3172.6(b)(9) must be followed.

**D. SPECIAL REQUIREMENT (S)****Communitization Agreement**

- The operator will submit a Communitization Agreement to the Santa Fe Office, 301 Dinosaur Trail Santa Fe, New Mexico 87508, at least 90 days before the anticipated date of first production from a well subject to a spacing order issued by the New Mexico Oil Conservation Division. The Communitization Agreement will include the signatures of all working interest owners in all Federal and Indian leases subject to the Communitization Agreement (i.e., operating rights owners and lessees of record), or certification that the operator has obtained the written signatures of all such owners and will make those signatures available to the BLM immediately upon request.
- The operator will submit an as-drilled survey well plat of the well completion, but are not limited to, those specified in **43 CFR part 3170 Subpart 3171**
- If the operator does not comply with this condition of approval, the BLM may take enforcement actions that include, but are not limited to, those specified in 43 CFR 3163.1.
- In addition, the well sign shall include the surface and bottom hole lease numbers. When the Communitization Agreement number is known, it shall also be on the sign.

**(Note: For a minimum 5M MASP or less (Utilizing a 10M BOPE system)**

**BOPE Break Testing Variance (Approved)**

- BOPE Break Testing is ONLY permitted for 5M psi MASP or less. **(Annular preventer must tested to 100% working pressure and BOPE shall be tested to full Rated Pressure)**
- While in transfer between wells, the BOPE shall be secured by the hydraulic carrier or cradle.
- Any well control event while drilling require notification to the BLM Petroleum Engineer **(575-706-2779)** prior to the commencement of any BOPE Break Testing operations.
- The BLM is to be contacted **(575-361-2822 Eddy County)** 4 hours prior to BOPE tests.
- As a minimum, a full BOPE test shall be performed at **21**-day intervals.
- In the event any repairs or replacement of the BOPE is required, the BOPE shall test as per **43 CFR part 3170 Subpart 3172**.
- If in the event break testing is not utilized, then a full BOPE test would be conducted.
- The BOPE testing shall be conducted while the rig is stationary.

**Intermediate Break Testing Section:**

- Variance only pertains to the intermediate hole-sections shallower than the deepest drilled intermediate on the well pad above 12,000 feet.

- A full BOPE test is required prior to drilling the first deep intermediate hole section. If any subsequent hole interval is deeper than the first, a full BOPE test will be required. (200' TVD tolerance between intermediate shoes is allowable).

**Production Break Testing Section: permitted**

- Variance only pertains to the production hole-section shallower than the deepest drilled production on the well pad above 12,000 feet.
- A full BOPE test is required prior to drilling the first deep production hole section. If any subsequent hole interval is deeper than the first, a full BOPE test will be required. (200' TVD tolerance between production lateral is allowable).

**Offline BOPE Testing**

Operator has been (**Approved**) to test the BOPE offline.

The BOPE offline testing shall be stationary during pressure testing.

Online BOPE testing should commence within 72 hours of offline BOPE testing completion. Notify the BLM if interval exceeds 72 hours.

Notify the BLM 4hrs prior to offline BOPE testing at **Eddy County: 575-361-2822**.

**Offline Cementing**

Operator has been (**Approved**) to pump the proposed cement program offline in the **Intermediate(s) interval and Production intervals**.

Offline cementing should commence within 24 hours of landing the casing for the interval.

Notify the BLM 4hrs prior to cementing offline at **Eddy County: 575-361-2822**.

## GENERAL REQUIREMENTS

The BLM is to be notified in advance for a representative to witness:

- a. Spudding well (minimum of 24 hours)
- b. Setting and/or Cementing of all casing strings (minimum of 4 hours)
- c. BOPE tests (minimum of 4 hours)

Eddy County

**EMAIL** or call the Carlsbad Field Office, 620 East Greene St., Carlsbad, NM 88220,

[BLM\\_NM\\_CFO\\_DrillingNotifications@BLM.GOV](mailto:BLM_NM_CFO_DrillingNotifications@BLM.GOV)

(575) 361-2822

1. Unless the production casing has been run and cemented or the well has been properly plugged, the drilling rig shall not be removed from over the hole without prior approval.
  - a. In the event the operator has proposed to drill multiple wells utilizing a skid/walking rig. Operator shall secure the wellbore on the current well, after installing and testing the wellhead, by installing a blind flange of like pressure rating to the wellhead and a pressure gauge that can be monitored while drilling is performed on the other well(s).
  - b. When the operator proposes to set surface casing with Spudder Rig
    - Notify the BLM when moving in and removing the Spudder Rig.
    - Notify the BLM when moving in the 2<sup>nd</sup> Rig. Rig to be moved in within 90 days of notification that Spudder Rig has left the location.
    - BOP/BOPE test to be conducted per **43 CFR part 3170 Subpart 3172** as soon as 2nd Rig is rigged up on well.
2. Floor controls are required for 3M or Greater systems. These controls will be on the rig floor, unobstructed, readily accessible to the driller and will be operational at all times during drilling and/or completion activities. Rig floor is defined as the area immediately around the rotary table; the area immediately above the substructure on which the draw works are located, this does not include the dog house or stairway area.

### A. CASING

1. Changes to the approved APD casing program need prior approval if the items substituted are of lesser grade or different casing size or are Non-API. The Operator can exchange the components of the proposal with that of superior strength (i.e. changing from J-55 to N-80, or from 36# to 40#). Changes to the approved cement program need prior approval if the altered cement plan has less volume or strength or

if the changes are substantial (i.e. Multistage tool, ECP, etc.). The initial wellhead installed on the well will remain on the well with spools used as needed.

2. Wait on cement (WOC) for Potash Areas: After cementing but before commencing any tests, the casing string shall stand cemented under pressure until both of the following conditions have been met: 1) cement reaches a minimum compressive strength of 500 psi for all cement blends of both lead and tail cement, 2) until cement has been in place at least 8 hours. WOC time will be recorded in the driller's log. The casing integrity test can be done (prior to the cement setting up) immediately after bumping the plug.
3. Wait on cement (WOC) for Water Basin: After cementing but before commencing any tests, the casing string shall stand cemented under pressure until both of the following conditions have been met: 1) cement reaches a minimum compressive strength of 500 psi at the shoe, 2) until cement has been in place at least 8 hours. WOC time will be recorded in the driller's log. See individual casing strings for details regarding lead cement slurry requirements. The casing integrity test can be done (prior to the cement setting up) immediately after bumping the plug.
4. Acceptable Method of Cement Verifications:
  - a. Observing cement circulated to surface.
  - b. Cement bond log (CBL).
  - c. Temperature log within 8-10 hours after completing the cement job.
  - d. Echometer (if a second-stage bradenhead squeeze is being used).
5. Provide compressive strengths including hours to reach required 500 pounds compressive strength prior to cementing each casing string. Have well specific cement details onsite prior to pumping the cement for each casing string.
6. No pea gravel permitted for remedial or fall back remedial without prior authorization from the BLM engineer.
7. On that portion of any well approved for a 5M BOPE system or greater, a pressure integrity test of each casing shoe shall be performed. Formation at the shoe shall be tested to a minimum of the mud weight equivalent anticipated to control the formation pressure to the next casing depth or at total depth of the well. This test shall be performed before drilling more than 20 feet of new hole.
8. If hardband drill pipe is rotated inside casing, returns will be monitored for metal. If metal is found in samples, drill pipe will be pulled and rubber protectors which have a larger diameter than the tool joints of the drill pipe will be installed prior to continuing drilling operations.
9. Whenever a casing string is cemented in the R-111-P potash area, the NMOCD requirements shall be followed.

## B. PRESSURE CONTROL

1. All blowout preventer (BOP) and related equipment (BOPE) shall comply with well control requirements as described in **43 CFR part 3170 Subpart 3172 and API STD 53 Sec. 5.3**.
2. If a variance is approved for a flexible hose to be installed from the BOP to the choke manifold, the following requirements apply: The flex line must meet the requirements of API 16C. Check condition of flexible line from BOP to choke manifold, replace if exterior is damaged or if line fails test. Line to be as straight as possible with no hard bends and is to be anchored according to Manufacturer's requirements. The flexible hose can be exchanged with a hose of equal size and equal or greater pressure rating. Anchor requirements, specification sheet and hydrostatic pressure test certification matching the hose in service, to be onsite for review. These documents shall be posted in the company man's trailer and on the rig floor.
3. 5M or higher system requires an HCR valve, remote kill line and annular to match. The remote kill line is to be installed prior to testing the system and tested to stack pressure.
4. If the operator has proposed a multi-bowl wellhead assembly in the APD. The following requirements must be met:
  - a. Wellhead shall be installed by manufacturer's representatives, submit documentation with subsequent sundry.
  - b. If the welding is performed by a third party, the manufacturer's representative shall monitor the temperature to verify that it does not exceed the maximum temperature of the seal.
  - c. Manufacturer representative shall install the test plug for the initial BOP test.
  - d. Whenever any seal subject to test pressure is broken, all the tests in 43 CFR 3172.6(b)(9) must be followed.
  - e. If the cement does not circulate and one inch operations would have been possible with a standard wellhead, the well head shall be cut off, cementing operations performed and another wellhead installed.
5. The appropriate BLM office shall be notified a minimum of 4 hours in advance for a representative to witness the tests.
  - a. In a water basin, for all casing strings utilizing slips, these are to be set as soon as the crew and rig are ready and any fallback cement remediation has been done. The casing cut-off and BOP installation can be initiated four hours after installing the slips, which will be approximately six hours after bumping the plug. For those casing strings not using slips, the minimum wait time before cut-off is eight hours after bumping the plug. BOP/BOPE testing can begin

after cut-off or once cement reaches 500 psi compressive strength (including lead cement), whichever is greater. However, if the float does not hold, cut-off cannot be initiated until cement reaches 500 psi compressive strength (including lead when specified).

- b. In potash areas, for all casing strings utilizing slips, these are to be set as soon as the crew and rig are ready and any fallback cement remediation has been done. For all casing strings, casing cut-off and BOP installation can be initiated at twelve hours after bumping the cement plug. The BOPE test can be initiated after bumping the cement plug with the casing valve open. (only applies to single stage cement jobs, prior to the cement setting up.)
- c. The tests shall be done by an independent service company utilizing a test plug not a cup or J-packer and can be initiated immediately with the casing valve open. The operator also has the option of utilizing an independent tester to test without a plug (i.e. against the casing) pursuant to **43 CFR part 3170 Subpart 3172** with the pressure not to exceed 70% of the burst rating for the casing. Any test against the casing must meet the WOC time for 8 hours or 500 pounds compressive strength, whichever is greater, prior to initiating the test (see casing segment as lead cement may be critical item).
- d. The test shall be run on a 5000 psi chart for a 2-3M BOP/BOP, on a 10000 psi chart for a 5M BOP/BOPE and on a 15000 psi chart for a 10M BOP/BOPE. If a linear chart is used, it shall be a one hour chart. A circular chart shall have a maximum 2 hour clock. If a twelve hour or twenty-four hour chart is used, tester shall make a notation that it is run with a two hour clock.
- e. The results of the test shall be reported to the appropriate BLM office.
- f. All tests are required to be recorded on a calibrated test chart. A copy of the BOP/BOPE test chart and a copy of independent service company test will be submitted to the appropriate BLM office.
- g. The BOP/BOPE test shall include a low pressure test from 250 to 300 psi. The test will be held for a minimum of 10 minutes if test is done with a test plug and 30 minutes without a test plug. This test shall be performed prior to the test at full stack pressure.
- h. BOP/BOPE must be tested by an independent service company within 500 feet of the top of the Wolfcamp formation if the time between the setting of the intermediate casing and reaching this depth exceeds 20 days. This test does not exclude the test prior to drilling out the casing shoe as per **43 CFR part 3170 Subpart 3172**.

#### C. DRILLING MUD

Mud system monitoring equipment, with derrick floor indicators and visual and audio alarms, shall be operating before drilling into the Wolfcamp formation, and shall be used until production casing is run and cemented.

D. WASTE MATERIAL AND FLUIDS

All waste (i.e. drilling fluids, trash, salts, chemicals, sewage, gray water, etc.) created as a result of drilling operations and completion operations shall be safely contained and disposed of properly at a waste disposal facility. No waste material or fluid shall be disposed of on the well location or surrounding area.

Porto-johns and trash containers will be on-location during fracturing operations or any other crew-intensive operations.

Long Vo (LVO) 1/6/2026

Form 3160-5  
(October 2024)

UNITED STATES  
DEPARTMENT OF THE INTERIOR  
BUREAU OF LAND MANAGEMENT

FORM APPROVED  
OMB No. 1004-0220  
Expires: October 31, 2027

**SUNDRY NOTICES AND REPORTS ON WELLS**  
**Do not use this form for proposals to drill or to re-enter an abandoned well. Use Form 3160-3 (APD) for such proposals.**

<b>SUBMIT IN TRIPLICATE - Other instructions on page 2</b>		5. Lease Serial No.
1. Type of Well <input type="checkbox"/> Oil Well <input type="checkbox"/> Gas Well <input type="checkbox"/> Other		6. If Indian, Allottee or Tribe Name
2. Name of Operator		7. If Unit of CA/Agreement, Name and/or No.
3a. Address	3b. Phone No. (include area code)	8. Well Name and No.
4. Location of Well (Footage, Sec., T.,R.,M., or Survey Description)		9. API Well No.
		10. Field and Pool or Exploratory Area
		11. Country or Parish, State

12. CHECK THE APPROPRIATE BOX(ES) TO INDICATE NATURE OF NOTICE, REPORT OR OTHER DATA

TYPE OF SUBMISSION	TYPE OF ACTION			
<input type="checkbox"/> Notice of Intent	<input type="checkbox"/> Acidize	<input type="checkbox"/> Deepen	<input type="checkbox"/> Production (Start/Resume)	<input type="checkbox"/> Water Shut-Off
<input type="checkbox"/> Subsequent Report	<input type="checkbox"/> Alter Casing	<input type="checkbox"/> Hydraulic Fracturing	<input type="checkbox"/> Reclamation	<input type="checkbox"/> Well Integrity
<input type="checkbox"/> Final Abandonment Notice	<input type="checkbox"/> Casing Repair	<input type="checkbox"/> New Construction	<input type="checkbox"/> Recomplete	<input type="checkbox"/> Other
	<input type="checkbox"/> Change Plans	<input type="checkbox"/> Plug and Abandon	<input type="checkbox"/> Temporarily Abandon	
	<input type="checkbox"/> Convert to Injection	<input type="checkbox"/> Plug Back	<input type="checkbox"/> Water Disposal	

13. Describe Proposed or Completed Operation: Clearly state all pertinent details, including estimated starting date of any proposed work and approximate duration thereof. If the proposal is to deepen directionally or recomplete horizontally, give subsurface locations and measured and true vertical depths of all pertinent markers and zones. Attach the Bond under which the work will be performed or provide the Bond No. on file with BLM/BIA. Required subsequent reports must be filed within 30 days following completion of the involved operations. If the operation results in a multiple completion or recompletion in a new interval, a Form 3160-4 must be filed once testing has been completed. Final Abandonment Notices must be filed only after all requirements, including reclamation, have been completed and the operator has determined that the site is ready for final inspection.)

14. I hereby certify that the foregoing is true and correct. Name (Printed/Typed)	
	Title
Signature	Date

**THE SPACE FOR FEDERAL OR STATE OFFICE USE**

Approved by		
	Title	Date
Conditions of approval, if any, are attached. Approval of this notice does not warrant or certify that the applicant holds legal or equitable title to those rights in the subject lease which would entitle the applicant to conduct operations thereon.	Office	

Title 18 U.S.C Section 1001 and Title 43 U.S.C Section 1212, make it a crime for any person knowingly and willfully to make to any department or agency of the United States any false, fictitious or fraudulent statements or representations as to any matter within its jurisdiction.

(Instructions on page 2)

## GENERAL INSTRUCTIONS

This form is designed for submitting proposals to perform certain well operations and reports of such operations when completed as indicated on Federal and Indian lands pursuant to applicable Federal law and regulations. Any necessary special instructions concerning the use of this form and the number of copies to be submitted, particularly with regard to local area or regional procedures and practices, are either shown below, will be issued by or may be obtained from the local Federal office.

## SPECIFIC INSTRUCTIONS

*Item 4* - Locations on Federal or Indian land should be described in accordance with Federal requirements. Consult the local Federal office for specific instructions.

*Item 13*: Proposals to abandon a well and subsequent reports of abandonment should include such special information as is required by the local Federal office. In addition, such proposals and reports should include reasons for the abandonment; data on any former or present productive zones or other zones with present significant fluid contents not sealed off by cement or otherwise; depths (top and bottom) and method of placement of cement plugs; mud or other material placed below, between and above plugs; amount, size, method of parting of any casing, liner or tubing pulled and the depth to the top of any tubing left in the hole; method of closing top of well and date well site conditioned for final inspection looking for approval of the abandonment. If the proposal will involve **hydraulic fracturing operations**, you must comply with 43 CFR 3162.3-3, including providing information about the protection of usable water. Operators should provide the best available information about all formations containing water and their depths. This information could include data and interpretation of resistivity logs run on nearby wells. Information may also be obtained from state or tribal regulatory agencies and from local BLM offices.

## NOTICES

The privacy Act of 1974 and the regulation in 43 CFR 2.48(d) provide that you be furnished the following information in connection with information required by this application.

**AUTHORITY**: 30 U.S.C. 181 et seq., 351 et seq., 25 U.S.C. 396; 43 CFR 3160.

**PRINCIPAL PURPOSE**: The information is used to: (1) Evaluate, when appropriate, approve applications, and report completion of subsequent well operations, on a Federal or Indian lease; and (2) document for administrative use, information for the management, disposal and use of National Resource lands and resources, such as: (a) evaluating the equipment and procedures to be used during a proposed subsequent well operation and reviewing the completed well operations for compliance with the approved plan; (b) requesting and granting approval to perform those actions covered by 43 CFR 3162.3-2, 3162.3-3, and 3162.3-4; (c) reporting the beginning or resumption of production, as required by 43 CFR 3162.4-1(c) and (d) analyzing future applications to drill or modify operations in light of data obtained and methods used.

**ROUTINE USES**: Information from the record and/or the record will be transferred to appropriate Federal, State, local or foreign agencies, when relevant to civil, criminal or regulatory investigations or prosecutions in connection with congressional inquiries or to consumer reporting agencies to facilitate collection of debts owed the Government.

**EFFECT OF NOT PROVIDING THE INFORMATION**: Filing of this notice and report and disclosure of the information is mandatory for those subsequent well operations specified in 43 CFR 3162.3-2, 3162.3-3, 3162.3-4.

The Paperwork Reduction Act of 1995 requires us to inform you that:

The BLM collects this information to evaluate proposed and/or completed subsequent well operations on Federal or Indian oil and gas leases.

Response to this request is mandatory.

The BLM would like you to know that you do not have to respond to this or any other Federal agency-sponsored information collection unless it displays a currently valid OMB control number.

**BURDEN HOURS STATEMENT**: Public reporting burden for this form is estimated to average 8 hours per response, including the time for reviewing instructions, gathering and maintaining data, and completing and reviewing the form. Direct comments regarding the burden estimate or any other aspect of this form to U.S. Department of the Interior, Bureau of Land Management (1004-0137), Bureau Information Collection Clearance Officer (WO-630), 1849 C St., N.W., Mail Stop 401 LS, Washington, D.C. 20240

## Additional Information

### Location of Well

0. SHL: LOT 1 / 877 FNL / 400 FEL / TWSP: 22S / RANGE: 27E / SECTION: 3 / LAT: 32.4268 / LONG: -104.170299 ( TVD: 0 feet, MD: 0 feet )

PPP: LOT 1 / 660 FNL / 100 FEL / TWSP: 22S / RANGE: 27E / SECTION: 3 / LAT: 32.427401 / LONG: -104.169315 ( TVD: 8906 feet, MD: 8947 feet )

PPP: LOT 3 / 657 FNL / 2482 FWL / TWSP: 22S / RANGE: 27E / SECTION: 4 / LAT: 32.4273321 / LONG: -104.1953654 ( TVD: 9319 feet, MD: 17400 feet )

PPP: LOT 3 / 651 FNL / 2646 FEL / TWSP: 22S / RANGE: 27E / SECTION: 3 / LAT: 32.427379 / LONG: -104.177568 ( TVD: 9500 feet, MD: 9882 feet )

BHL: LOT 4 / 660 FNL / 20 FWL / TWSP: 22S / RANGE: 27E / SECTION: 4 / LAT: 32.42731 / LONG: -104.203347 ( TVD: 9260 feet, MD: 19863 feet )

CONFIDENTIAL

WAR CLUB 3-4 FED COM 821H

**1. Geologic Formations**

TVD of target	9262	Pilot hole depth	N/A
MD at TD:	19856	Deepest expected fresh water	

**Basin**

Formation	Depth (TVD) from KB	Water/Mineral Bearing/Target Zone?	Hazards*
Rustler	266		
Salt	417		
Base of Salt	736		
Delaware	2216		
Cherry Canyon	2921		
Brushy Canyon	3976		
1st Bone Spring Lime	5360		
Bone Spring 1st	6584		
Bone Spring 2nd	7377		
3rd Bone Spring Lime	7589		
Bone Spring 3rd	8570		
Wolfcamp	8906		

\*H2S, water flows, loss of circulation, abnormal pressures, etc.

WAR CLUB 3-4 FED COM 821H

**2. Casing Program (Primary Design)**

Hole Size	Csg. Size	Wt (PPF)	Grade	Conn	Casing Interval		Casing Interval	
					From (MD)	To (MD)	From (TVD)	To (TVD)
17 1/2	13 3/8	54 1/2	J-55	BTC	0	340	0	340
12 1/4	10 3/4	45 1/2	J-55	BTC SCC	0	2250	0	2250
7 7/8	5 1/2	20	P110CY	Wedge 461	0	19856	0	9262

•All casing strings will be tested in accordance with 43 CFR 3172. Must have table for contingency casing.

**3. Cementing Program**

Devon Energy requests to offline cement on intermediate strings that are set in formations shallower than the Wolfcamp. Prior to commencing offline cementing operations, the well will be monitored for any abnormal pressures and confirmed to be static. A dual manifold system (equipped with chokes) for the returns will also be utilized as a redundancy. All equipment used for offline cementing will have a minimum 5M rating to match intermediate sections' 5M BOPE requirements.

Casing	# Sks	TOC	Wt. ppg	Yld (ft3/sack)	Slurry Description
Surface	283	Surf	13.2	1.44	Lead: Class C Cement + additives
Int 1	182	Surf	13.0	2.3	Lead: Class C Cement + additives
	100	1750	13.2	1.44	Tail: Class H / C + additives
Production	453	1750	9	3.27	Lead: Class H / C + additives
	1442	8963	13.2	1.44	Tail: Class H / C + additives

Casing String	% Excess
Surface	50%
Intermediate 1	30%
Prod	10%

**4. Pressure Control Equipment (Three String Design)**

BOP installed and tested before drilling which hole?		Size?	Min. Required WP	Type	✓	Tested to:
Int 1	13-5/8"	5M	Annular	X	50% of rated working pressure	
			Blind Ram	X	5M	
			Pipe Ram			
			Double Ram	X		
			Other*			
Production	13-5/8"	5M	Annular (5M)	X	50% of rated working pressure	
			Blind Ram	X	5M	
			Pipe Ram			
			Double Ram	X		
			Other*			
			Annular (5M)			
			Blind Ram			
			Pipe Ram			
			Double Ram			
			Other*			
N	A variance is requested for the use of a diverter on the surface casing. See attached for schematic.					
Y	A variance is requested to run a 5 M annular on a 10M system					

**5. Mud Program (Three String Design)**

Section	Type	Weight (ppg)
Surface	FW Gel	8.5-9
Intermediate	DBE / Cut Brine	10-10.5
Production	OBM	10-10.5

Sufficient mud materials to maintain mud properties and meet minimum lost circulation and weight increase requirements will be kept on location at all times.

What will be used to monitor the loss or gain of fluid?	PVT/Pason/Visual Monitoring
---	-----------------------------

**6. Logging and Testing Procedures**

Logging, Coring and Testing	
X	Will run GR/CNL from TD to surface (horizontal well - vertical portion of hole). Stated logs run will be in the Completion Report and submitted to the BLM.
	No logs are planned based on well control or offset log information.
	Drill stem test? If yes, explain.
	Coring? If yes, explain.

Additional logs planned	Interval
	Resistivity
	Density
X	CBL
	Mud log
	PEX

**7. Drilling Conditions**

Condition	Specify what type and where?
BH pressure at deepest TVD	5057
Abnormal temperature	No

Mitigation measure for abnormal conditions. Describe. Lost circulation material/sweeps/mud scavengers.

Hydrogen Sulfide (H2S) monitors will be installed prior to drilling out the surface shoe. If H2S is detected in concentrations greater than 100 ppm, the operator will comply with the provisions of 43 CFR 3176. If Hydrogen Sulfide is encountered measured values and formations will be provided to the BLM.	
N	H2S is present
Y	H2S plan attached.

WAR CLUB 3-4 FED COM 821H

**8. Other facets of operation**

Is this a walking operation? Potentially

- 1 If operator elects, drilling rig will batch drill the surface holes and run/cement surface casing; walking the rig to next wells on the pad.
- 2 The drilling rig will then batch drill the intermediate sections and run/cement intermediate casing; the wellbore will be isolated with a blind flange and pressure gauge installed for monitoring the well before walking to the next well.
- 3 The drilling rig will then batch drill the production hole sections on the wells with OBM, run/cement production casing, and install TA caps or tubing heads for completions.

NOTE: During batch operations the drilling rig will be moved from well to well however, it will not be removed from the pad until all wells have production casing run/cemented.

Will be pre-setting casing? Potentially

- 1 Spudder rig will move in and batch drill surface hole.
  - a. Rig will utilize fresh water based mud to drill surface hole to TD. Solids control will be handled entirely on a closed loop basis.,
- 2 After drilling the surface hole section, the spudder rig will run casing and cement following all of the applicable rules and regulations (43 CFR 3172, all COAs and NMOCD regulations).
- 3 The wellhead will be installed and tested once the surface casing is cut off and the WOC time has been reached.
- 4 A blind flange with the same pressure rating as the wellhead will be installed to seal the wellbore. Pressure will be monitored with a pressure gauge installed on the wellhead.
- 5 Spudder rig operations is expected to take 4-5 days per well on a multi-well pa.
- 6 The NMOCD will be contacted and notified 24 hours prior to commencing spudder rig operations.
- 7 Drilling operations will be performed with drilling rig. A that time an approved BOP stack will be nipped up and tested on the wellhead before drilling operations commences on each well.
  - a. The NMOCD will be contacted / notified 24 hours before the drilling rig moves back on to the pad with the pre-set surface casing.

Attachments

- X Directional Plan
- Other, describe

# BOPE Break Test Variance

10/2025  
REV4



NYSE: DVN  
devonenergy.com

---



# BOPE Break Test Variance (Less than 12,000' TVD)

**Devon is respectfully pursuing a variance to the minimum standards to allow a testing schedule of the blow out prevention equipment (BOPE) along with Stump Testing, Batch Drilling & Offline Cementing operations to include the following:**

- Conduct a full 10k BOPE and 5k Annular test upon initial installation on the pad.
- If the rig has the ability to do a Stump Test, this is permitted for initial installation.
- Perform full BOPE tests every 21 days thereafter.
- Intermediate & Production Break-testing is permitted to the base of the Wolfcamp or shallower (limited to **12,000' TVD**).
- Once the well is secured and BLM has been notified, disconnect the BOP and walk the rig to the next well on the pad.
  - If any unusual events occur during drilling, tripping, or casing operations, break-testing will not be performed
  - If offset fracturing is observed within 1.0 mile in the same producing horizon, break-testing in the production section will not be performed.
- Each rig requesting a break-test variance must be capable of picking up the BOP without damaging components, using winches and following API Standard 53 (Fifth Edition, December 2018, Annex C, Table C.4), which recognizes break-testing as an acceptable practice.
- Function tests will be performed on the following BOP elements:
  - Annular: During each full BOPE test and at least weekly.
  - Pipe Rams: On every trip and on trip-ins where a FIT is required.
  - Blind Rams: On every trip.
- Break-testing the BOP allows for offline cementing and/or remediation (if needed) of any surface, intermediate, or production sections, in accordance with the attached offline cementing support documentation.
- After securing the well section, disconnect the BOP from the wellhead and walk it with the rig to another well on the pad.
- Install a TA cap per Cactus Wellhead procedures and monitor casing pressure via the valve on the TA cap.

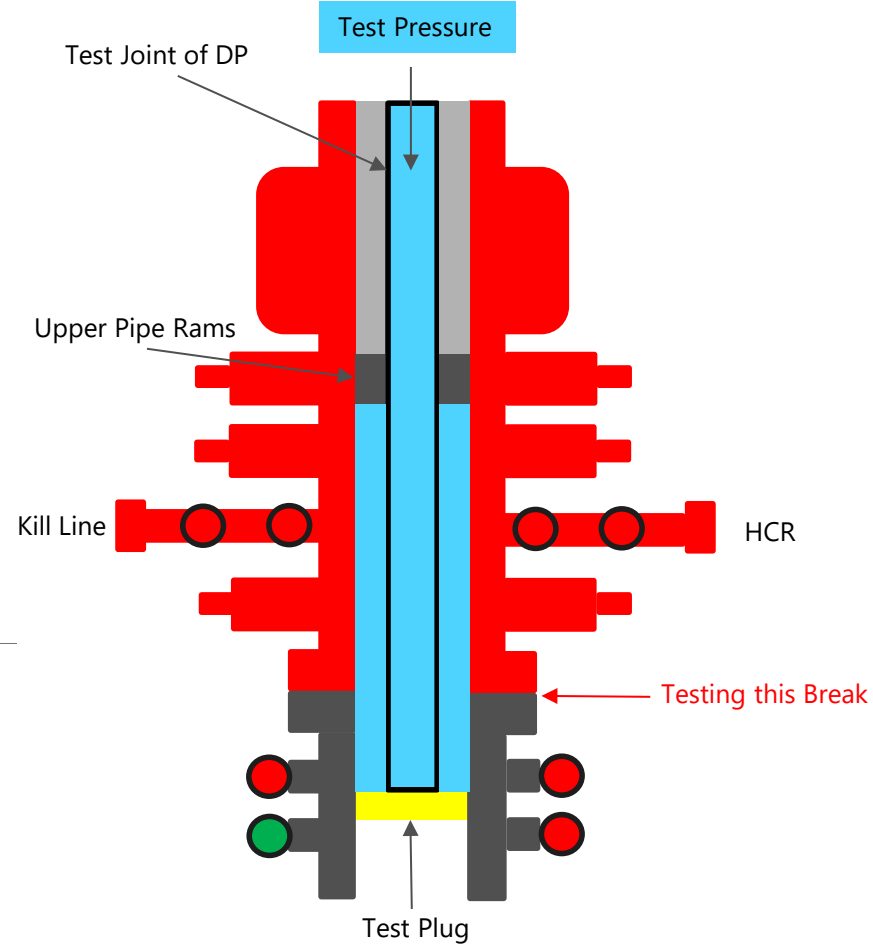
# BOPE Break Test Variance (Less than 12,000' TVD)

## Test Procedure:

1. Makeup test plug on DP and set in Wellhead.
2. Close Upper Pipe Rams around DP.
3. Close Kill Line & HCR.
4. Open wellhead valve to ensure if pressure leaks past plug, it won't pressure up wellbore.
5. Tie into top of DP at Rig Floor. Fill with water and test Break + Pipe Rams to 250psi low and 10,000psi high.
6. Bleed off pressure.
7. Open Upper Pipe Rams, close wellhead valve and lay down test plug and DP.

## Component Table:

Components	Offline	Offline, BOPE	Break	Online
Upper Rams		X	X	X
Blind Rams		X		X
Lower Rams				X
Outside Kill Valve		X	X	X
Inside Kill Valve		X	X	X
Kill Line Check Valve		X	X	X
Inside Choke Valve		X	X	X
HCR		X	X	X
Kill Line	X			X
Annular		X	X	X
Choke Manifold Valves and Hose	X			X
Mudline (Mud Pumps, Rig Floor Valves, Kelly Hose, Mud Line)	X			X
Standpipe Valve	X			X
IBOP (Upper and Lower)	X			X



Devon requests offline BOPE testing for the following components: Upper Rams, Blind Rams, Kill Valves, Choke Valves, and Annular

Remaining well control equipment components will either be tested offline or online, per BLM approval

Remaining BOPE will be tested online within 72 hours from completing the offline BOPE component testing

Notify the BLM if the online BOPE testing exceeds 72-hours

All Full Tests not completed "Offline" or "Offline, BOPE" are required to be completed Online

Thank you.



# Devon Energy Offline Production Cementing

10/2025  
REV5



NYSE: DVN  
devonenergy.com



# Offline Production Cementing Variance

---

**Devon is respectfully pursuing a variance to the minimum standards to allow for the cementing of the Production Casing offline in the Wolfcamp and shallower producing horizons.**

**To ensure personnel safety and well integrity, strict eligibility requirements will be enforced, and a detailed procedure will be followed.**

**The following slides outline the eligibility requirements, offline procedure, schematics and pressure ratings.**

# Offline Production Eligibility

---

## Offline Punch List:

**The well must meet all criteria to qualify for offline cementing.**

- A) Well is in the Wolfcamp or shallower bench.
- B) No unusual events were observed during drilling, tripping or casing operations.
- C) Casing successfully landed out on casing hanger (fluted or solid).
- D) Devon Company Men with Well Control certifications will monitor returns (bbl in / bbl out) to ensure well control is maintained.
- E) Rig Manager will oversee the walking of the rig to the next well.
- F) All barriers MUST test and at no point will there be less than 2 barriers in place.
- G) No offset frac operations occurring within 1.0 mile in the same bench.
- H) Once all criteria are met and BLM is notified, Devon may proceed with ND BOP and continue offline operations.

**Note: Devon will NOT drill out the next deep intermediate until cementing on the offline well is complete.**

# Offline Procedure

---

- **Devon's Proposed Production Offline Procedure:**
- Run casing and perform negative pressure test during casing run to verify integrity of float equipment's 10M backpressure valves.
- Review Devon's "Punch List" to determine if well is a viable candidate.
- Continue running casing and land casing out on Cactus mandrel hanger.
- Fill casing with KWM and perform flow check ensuring well is static.
  - If well is not static, build pressure or acting abnormal in any way - abort offline operations.
- Install 10M packoff and test same. After successful test, engage locking ring and L/D running tool.
- Install 10M backpressure valve in WH from rig floor.
  - Note: 3 Casing barriers and 2 Annular barriers currently in place.
- Once well is secured and BLM notified, ND BOP and walk rig to next well on pad.
  - If ANY barrier fails to test – the well will be cemented online.
  - Devon Company Man and Devon Cementer will oversee Cementing Operations
  - Rig Manager will walk the rig to the next well.
  - Drill out operations on next deep intermediate will not begin until cementing operations have concluded on the offline well.
- Install 10M Gate Valve and Cactus WH adapter.
- Test connection between WH adapter seals, hanger neck, and ring gasket to 10,000psi.
- Open Frac Valve and remove BPV.
- RU cement head, cement iron, return lines and test same.
- Once all equipment is rigged up, barriers tested and ready to cement, notify BLM of intent to Cement Offline.

# Offline Procedure

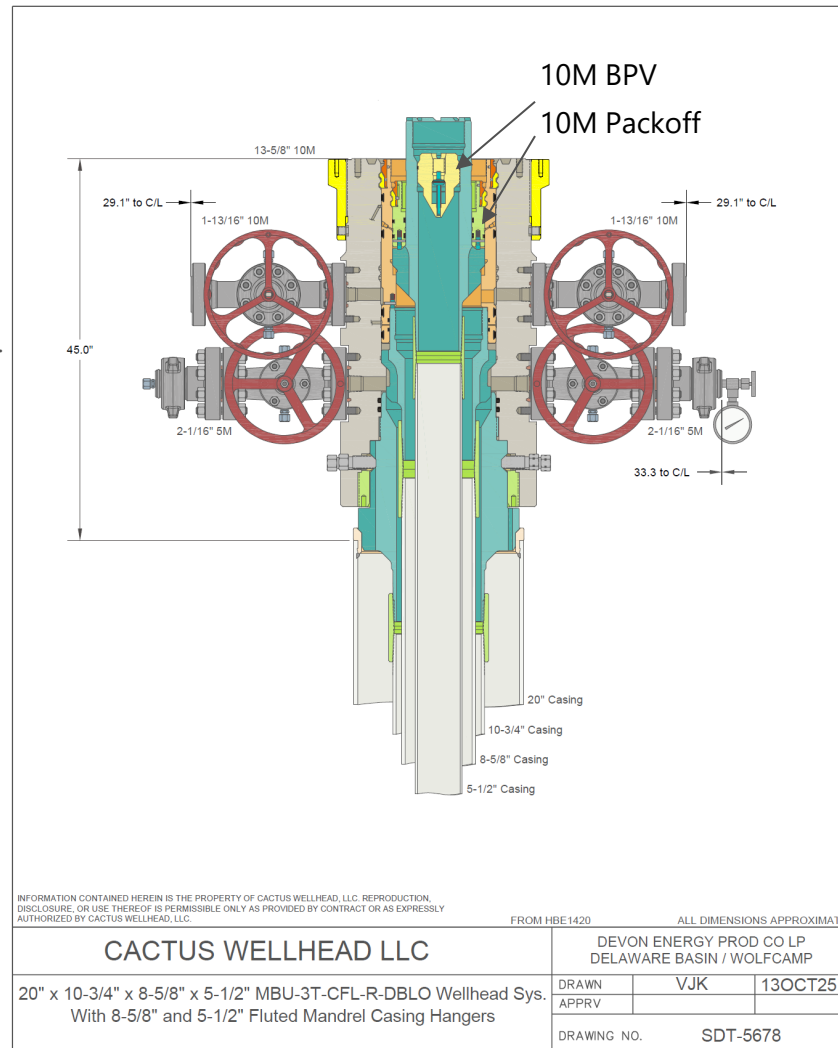
---

- **Devon's Proposed Production Offline Procedure (continued):**
- Perform offline cement job.
- If an influx is observed during the cement job:
  - The Day and Night Company Men will redirect returns from Cementing Manifold to the Rig's choke manifold and hold appropriate backpressure to circulate out influx.
  - If annular surface pressure approaches 25% of the tested pressure of the surface return equipment, or if circulating the influx out with the cementing pumps is not feasible, the well can be secured by closing the 10M casing valves.\*
- Bump plug and ensure floats are holding.
  - If plug does not bump or floats do not hold, either the Gate Valve or Cement Head may be closed while we WOC.
- RD cement head and install BPV.
- Remove Gate Valve and WH adapter.
- Install TA Cap with pressure gauge and test same.
- **\*Note\*** - If the well is within the KPLA, and an uncemented annulus between the Production and Intermediate casing has been utilized; then cement shall be squeezed down both casing valves within 180 days of the well's completion and displaced with a treated fresh water to a TOC below the potash interval and marker bed number 126, with a minimum of 500' tie-back inside the Intermediate Casing as per R111Q.

\*Note – This hasn't been observed

# Offline Procedure – Detailed

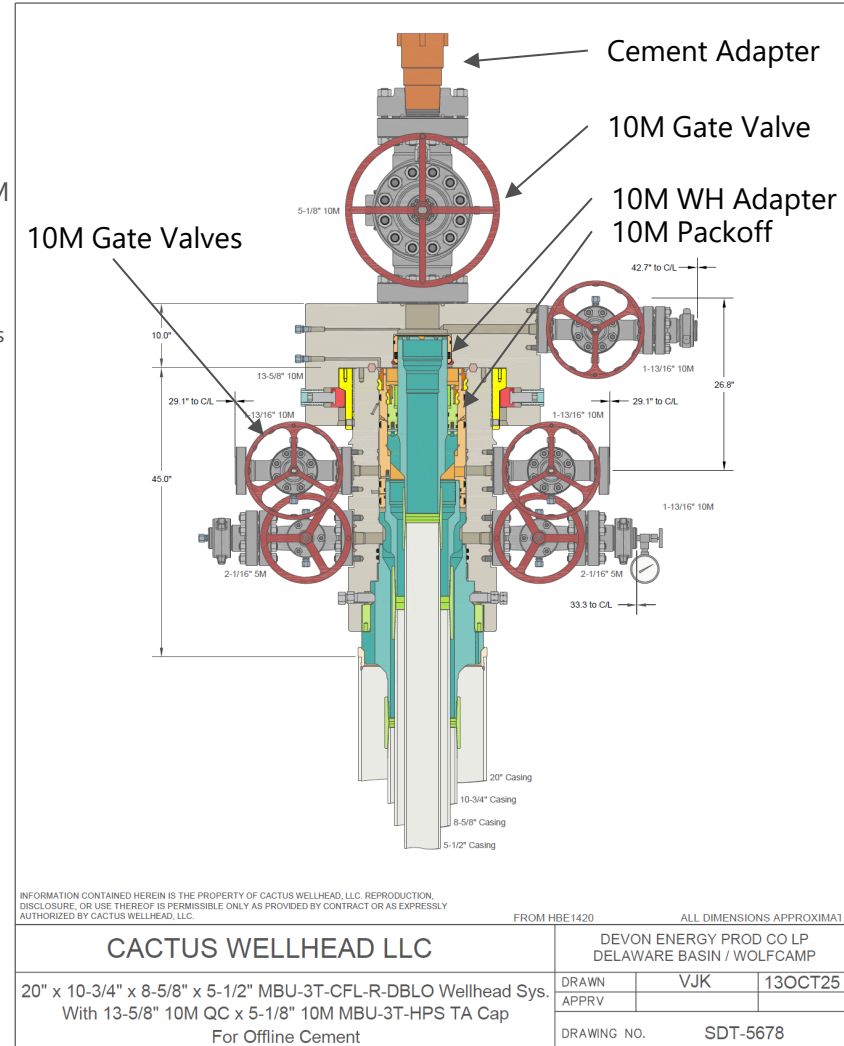
- Run casing and perform negative pressure test during casing run to verify integrity of float equipment’s 10,000psi backpressure valves.
  - Review Devon’s “Punch List” to determine if well is a viable candidate.
- Continue running casing and land casing out on Cactus mandrel hanger.
- Fill casing with KWM and perform flow check ensuring well is static.
- Install packoff rated to 10,000psi and test same. After successful test, engage locking ring and L/D running tool.
- Install backpressure valve in WH from rig floor.
  - Note: 3 Casing barriers and 2 Annular barriers currently in place.
- Once well is secured and BLM notified, ND BOP and walk rig to next well on pad.
  - If ANY barrier fails to test – the well will be cemented online.
  - Devon PIC and Devon Cementer will oversee Cementing Operations
  - Rig Manager will walk the rig to the next well.
  - Drill out operations on next deep intermediate will not begin until cementing operations have concluded on the offline well.



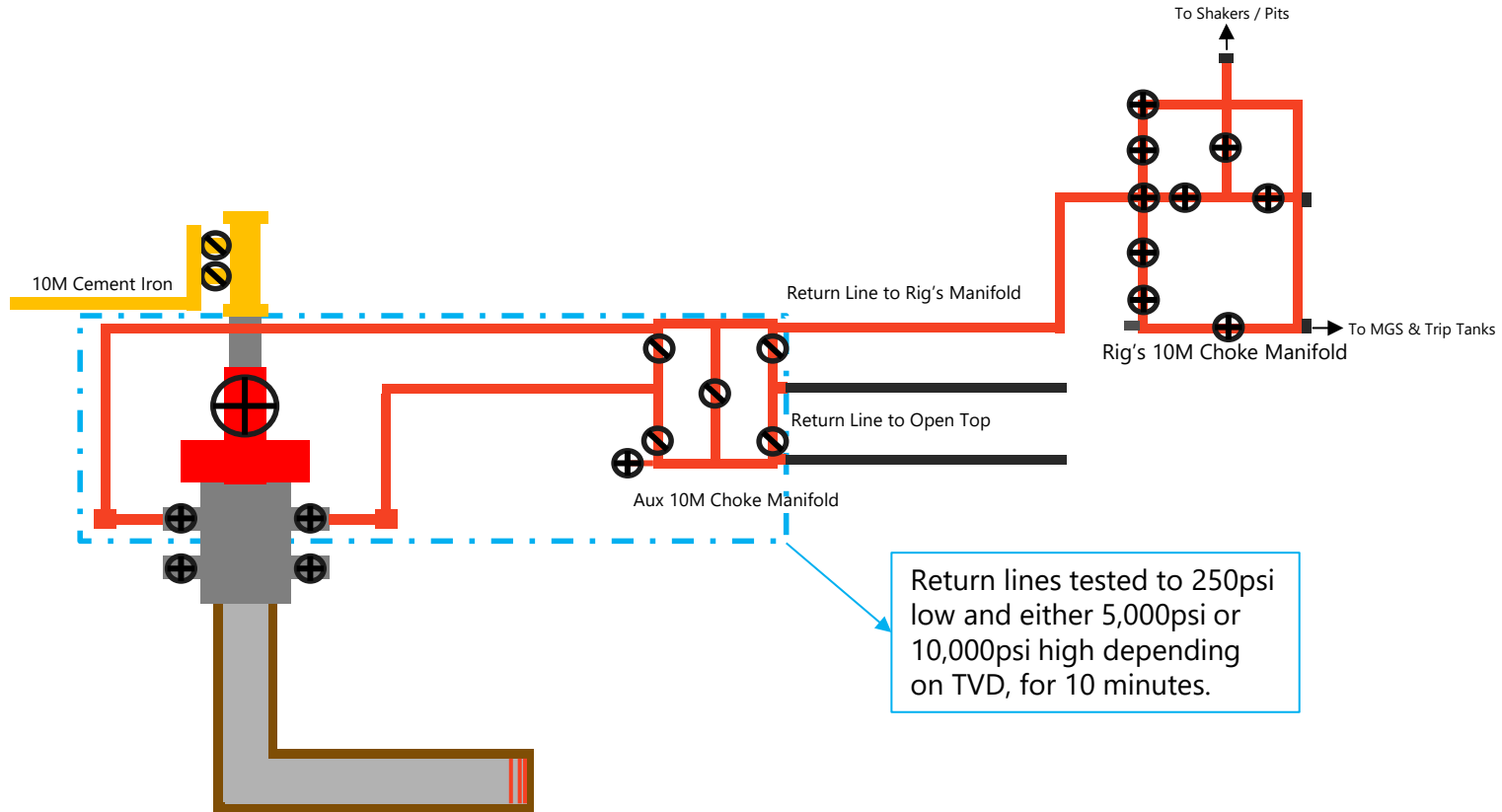
Casing Barrier	Rating	Backside Barrier	Rating
BPV	10,000psi	KWM	> BHP
KWM	> BHP	Packoff	10,000psi
Float Valves (x3)	10,000psi		

# Offline Procedure – Detailed

- Install 10M Frac Valve and Cactus WH adapter.
- Test connection between WH adapter seals, hanger neck, and ring gasket to 10,000psi.
- Open Frac Valve and remove BPV.
- RU cement head, cement iron, return lines and test same.
- Once all equipment is rigged up, barriers tested and ready to cement, notify BLM of intent to Cement Offline.
- Perform offline cement job.
- If an influx is observed during the cement job:
  - The Day and Night Company Men will redirect returns from Cementing Manifold to the Rig's choke manifold and hold appropriate backpressure to circulate out influx.
  - If annular surface pressure approaches 25% of the tested pressure of the surface return equipment, or if circulating the influx out with the cementing pumps is not feasible, the well can be secured by closing the 10M casing valves.
- Bump plug and ensure floats are holding.
  - If plug does not bump or floats do not hold, either the Gate Valve or Cement Head may be closed while we WOC.
- RD cement head and install BPV.
- Remove Gate Valve and WH adapter.
- Install TA Cap with pressure gauge and test same.



# Offline Flow Path



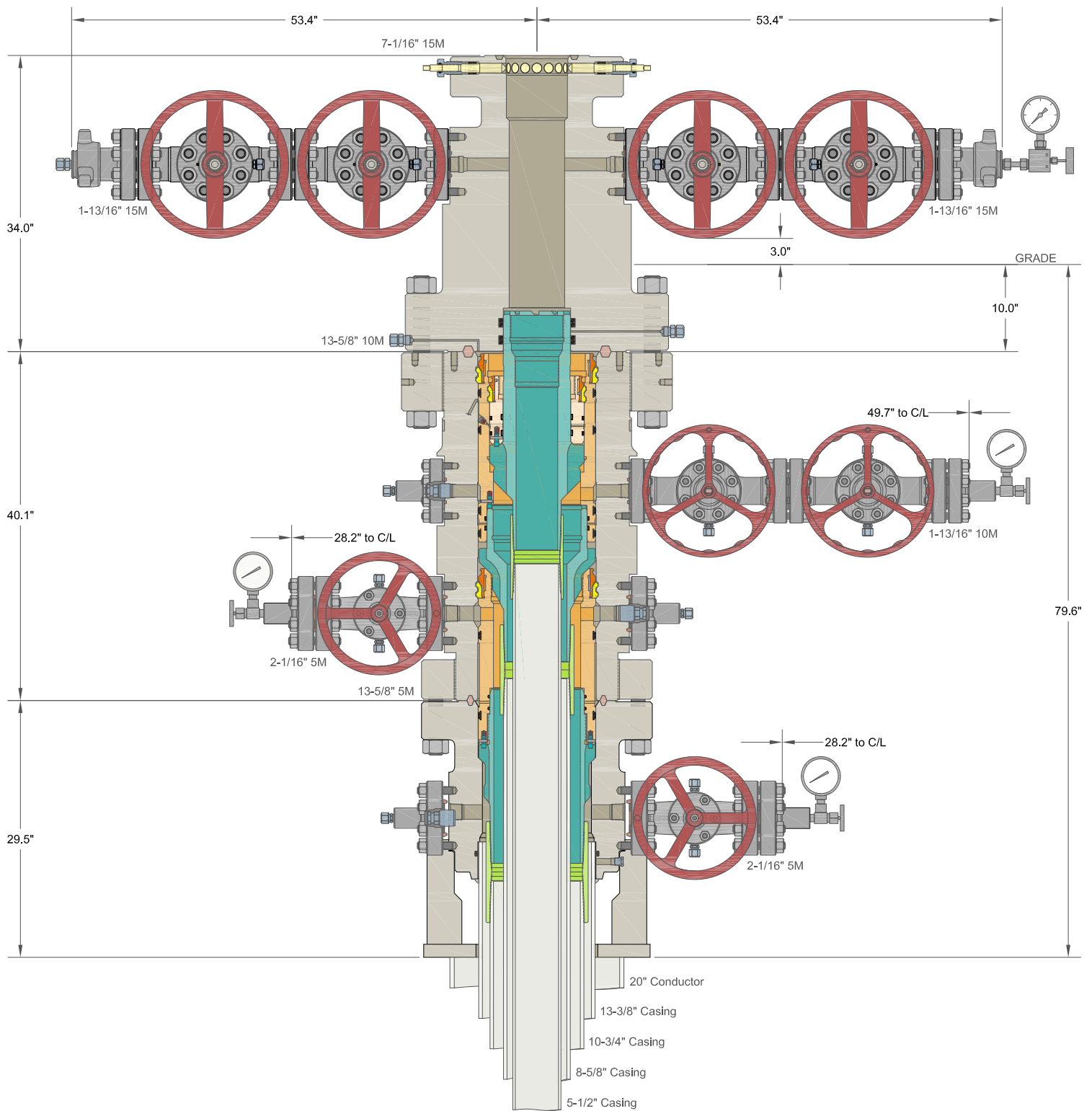
Return lines tested to 250psi low and either 5,000psi or 10,000psi high depending on TVD, for 10 minutes.

- ⊕ 10M Valve / Choke
- ⊘ 10M Low Torq

- Note:
- All lines are 10M rated and tested to **5,000psi for wells less than 12,000' TVD**
  - All lines are 10M rated and tested to **10,000psi for wells greater than 12,000' TVD**
  - Minimum of 2 barriers in place at ALL times
  - Never had to circulate out an influx during an Offline job

Thank you.





INFORMATION CONTAINED HEREIN IS THE PROPERTY OF CACTUS WELLHEAD, LLC. REPRODUCTION, DISCLOSURE, OR USE THEREOF IS PERMISSIBLE ONLY AS PROVIDED BY CONTRACT OR AS EXPRESSLY AUTHORIZED BY CACTUS WELLHEAD, LLC.

ALL DIMENSIONS APPROXIMATE

# CACTUS WELLHEAD LLC

# DEVON ENERGY PROD CO LP WOLFCAMP

20" x 13-3/8" x 10-3/4" x 8-5/8" x 5-1/2" MBU-4T SOW System  
 With 13-5/8" 10M x 7-1/16" 15M CTH-HPS Tubing Head  
 And 10-3/4" & 8-5/8" & 5-1/2" Pin Down Mandrel Casing Hangers

DRAWN	DLE	16MAY22
APPRV		
DRAWING NO.	HBE0000741	



# TenarisHydril Wedge 461<sup>®</sup>



Coupling	Pipe Body
Grade: P110-ICY	Grade: P110-ICY
Body: White	1st Band: White
1st Band: Pale Green	2nd Band: Pale Green
2nd Band: -	3rd Band: Pale Green
3rd Band: -	4th Band: -
	5th Band: -
	6th Band: -

Outside Diameter	5.500 in.	Wall Thickness	0.361 in.	Grade	P110-ICY
Min. Wall Thickness	87.50 %	Pipe Body Drift	API Standard	Type	Casing
Connection OD Option	REGULAR				

### Pipe Body Data

Geometry		Performance	
Nominal OD	5.500 in.	Wall Thickness	0.361 in.
Nominal Weight	20.00 lb/ft	Plain End Weight	19.83 lb/ft
Drift	4.653 in.	OD Tolerance	API
Nominal ID	4.778 in.		
		Body Yield Strength	729 x1000 lb
		Min. Internal Yield Pressure	14,360 psi
		SMYS	125,000 psi
		Collapse Pressure	12,300 psi

### Connection Data

Geometry		Performance		Make-Up Torques	
Connection OD	6.300 in.	Tension Efficiency	100 %	Minimum	17,000 ft-lb
Coupling Length	7.714 in.	Joint Yield Strength	729 x1000 lb	Optimum	18,000 ft-lb
Connection ID	4.778 in.	Internal Pressure Capacity	14,360 psi	Maximum	21,600 ft-lb
Make-up Loss	3.775 in.	Compression Efficiency	100 %		
Threads per inch	3.40	Compression Strength	729 x1000 lb	Operation Limit Torques	
Connection OD Option	Regular	Max. Allowable Bending	104 °/100 ft	Operating Torque	43,000 ft-lb
		External Pressure Capacity	12,300 psi	Yield Torque	51,000 ft-lb
		Coupling Face Load	329,000 lb	Buck-On	
				Minimum	21,600 ft-lb
				Maximum	23,100 ft-lb

### Notes

This connection is fully interchangeable with:  
 Wedge 441® - 5.5 in. - 0.304 (17.00) / 0.361 (20.00) in. (lb/ft)  
 Wedge 461® - 5.5 in. - 0.304 (17.00) / 0.415 (23.00) / 0.476 (26.00) in. (lb/ft)  
 Connections with Dopeless® Technology are fully compatible with the same connection in its doped version  
 In October 2019, TenarisHydril Wedge XP® 2.0 was renamed TenarisHydril Wedge 461™. Product dimensions and properties remain identical and both connections are fully interchangeable

For the latest performance data, always visit our website: [www.tenaris.com](http://www.tenaris.com)  
 For further information on concepts indicated in this datasheet, download the Datasheet Manual from [www.tenaris.com](http://www.tenaris.com)

Tenaris has issued this document for general information only, and the information in this document, including, without limitation, any pictures, drawings or designs ("Information") is not intended to constitute professional or any other type of advice or recommendation and is provided on an "as is" basis. No warranty is given. Tenaris has not independently verified any information—if any—provided by the user in connection with, or for the purpose of, the Information contained hereunder. The use of the Information is at user's own risk and Tenaris does not assume any responsibility or liability of any kind for any loss, damage or injury resulting from, or in connection with any Information contained hereunder or any use thereof. The Information in this document is subject to change or modification without notice. Tenaris's products and services are subject to Tenaris's standard terms and conditions or otherwise to the terms resulting from the respective contracts of sale or services, as the case may be, between petitioner and Tenaris. For more complete information please contact a Tenaris's representative or visit our website at [www.tenaris.com](http://www.tenaris.com). ©Tenaris 2024. All rights reserved.



**10-3/4"    45.50#    0.400"    J-55**

### **Dimensions (Nominal)**

Outside Diameter	10.750	in.
Wall	0.400	in.
Inside Diameter	9.950	in.
Drift	9.875	in.
Weight, T&C	45.500	lbs/ft
Weight, PE	44.260	lbs/ft

### **Performance Properties**

Collapse	2090	psi
Internal Yield Pressure at Minimum Yield		
PE	3580	psi
STC	3580	psi
BTC	3580	psi
Yield Strength, Pipe Body	715	1000 lbs
Joint Strength		
STC	493	1000 lbs
BTC	796	1000 lbs
BTC Special Clearance (11.25" OD Cplg)	506	1000 lbs

Note: SeAH Steel has produced this specification sheet for general information only. SeAH does not assume liability or responsibility for any loss or injury resulting from the use of information or data contained herein. All applications for the material described are at the customer's own risk and responsibility.



**13-3/8" 54.50# .380 J-55**

### **Dimensions (Nominal)**

Outside Diameter	13.375	in.
Wall	0.380	in.
Inside Diameter	12.615	in.
Drift	12.459	in.
Weight, T&C	54.500	lbs/ft
Weight, PE	52.790	lbs/ft

### **Performance Ratings, Minimum**

Collapse, PE	1130	psi
Internal Yields Pressure		
PE	2730	psi
STC	2730	PSI
BTC	2730	psi
Yield Strength, Pipe Body	853	1000 lbs
Joint Strength, STC	514	1000 lbs
Joint Strength, BTC	909	1000 lbs

Note: SeAH Steel has produced this specification sheet for general information only. SeAH does not assume liability or responsibility for any loss or injury resulting from the use of information or data contained herein. All applications for the material described are at the customer's own risk and responsibility.

## Devon Energy Annular Preventer Summary

### 1. Component and Preventer Compatibility Table

The table below, which covers the drilling and casing of the 10M MASP portion of the well, outlines the tubulars and the compatible preventers in use. This table, combined with the mud program, documents that two barriers to flow can be maintained at all times, independent of the rating of the annular preventer.

6-3/4" Production hole section, 10M requirement

Component	OD	Preventer	RWP
Drillpipe	4.5"	Fixed lower 4.5" Upper 4.5-7" VBR	10M
HWDP	4.5"	Fixed lower 4.5" Upper 4.5-7" VBR	10M
Drill collars and MWD tools	4.75"	Upper 4.5-7" VBR	10M
Mud Motor	4.75"	Upper 4.5-7" VBR	10M
Production casing	5.5"	Upper 4.5-7" VBR	10M
ALL	0-13-5/8"	Annular	5M
Open-hole	-	Blind Rams	10M

VBR = Variable Bore Ram. Compatible range listed in chart.

### 2. Well Control Procedures

Well control procedures are specific to the rig equipment and the operation at the time the kick occurs. Below are the minimal high-level tasks prescribed to assure a proper shut-in while drilling, tripping, running casing, pipe out of the hole (open hole), and moving the BHA through the BOPs. The pressure at which control is swapped from the annular to another compatible ram is variable, but the operator will document in the submission their operating pressure limit. The operator may chose an operating pressure less than or equal to RWP, but in no case will it exceed the RWP of the annular preventer.

#### General Procedure While Drilling

1. Sound alarm (alert crew)
2. Space out drill string
3. Shut down pumps (stop pumps and rotary)
4. Shut-in Well (uppermost applicable BOP, typically annular preventer first. HCR and choke will already be in the closed position.)
5. Confirm shut-in
6. Notify toolpusher/company representative
7. Read and record the following:
  - a. SIDPP and SICP
  - b. Pit gain
  - c. Time
8. Regroup and identify forward plan
9. If pressure has built or is anticipated during the kill to reach the RWP of the annular preventer, confirm spacing and swap to the upper pipe ram.

## Devon Energy Annular Preventer Summary

### General Procedure While Tripping

1. Sound alarm (alert crew)
2. Stab full opening safety valve and close
3. Space out drill string
4. Shut-in (uppermost applicable BOP, typically annular preventer first. HCR and choke will already be in the closed position.)
5. Confirm shut-in
6. Notify toolpusher/company representative
7. Read and record the following:
  - a. SIDPP and SICP
  - b. Pit gain
  - c. Time
8. Regroup and identify forward plan
9. If pressure has built or is anticipated during the kill to reach the RWP of the annular preventer, confirm spacing and swap to the upper pipe ram.

### General Procedure While Running Casing

1. Sound alarm (alert crew)
2. Stab crossover and full opening safety valve and close
3. Space out string
4. Shut-in (uppermost applicable BOP, typically annular preventer first. HCR and choke will already be in the closed position.)
5. Confirm shut-in
6. Notify toolpusher/company representative
7. Read and record the following:
  - a. SIDPP and SICP
  - b. Pit gain
  - c. Time
8. Regroup and identify forward plan
9. If pressure has built or is anticipated during the kill to reach the RWP of the annular preventer, confirm spacing and swap to compatible pipe ram.

### General Procedure With No Pipe In Hole (Open Hole)

1. Sound alarm (alert crew)
2. Shut-in with blind rams or BSR. (HCR and choke will already be in the closed position.)
3. Confirm shut-in
4. Notify toolpusher/company representative
5. Read and record the following:
  - a. SICP
  - b. Pit gain
  - c. Time
6. Regroup and identify forward plan

## Devon Energy Annular Preventer Summary

### General Procedures While Pulling BHA thru Stack

1. PRIOR to pulling last joint of drillpipe thru the stack.
  - a. Perform flowcheck, if flowing:
  - b. Sound alarm (alert crew)
  - c. Stab full opening safety valve and close
  - d. Space out drill string with tool joint just beneath the upper pipe ram.
  - e. Shut-in using upper pipe ram. (HCR and choke will already be in the closed position.)
  - f. Confirm shut-in
  - g. Notify toolpusher/company representative
  - h. Read and record the following:
    - i. SIDPP and SICP
    - ii. Pit gain
    - iii. Time
  - i. Regroup and identify forward plan
  
2. With BHA in the stack and compatible ram preventer and pipe combo immediately available.
  - a. Sound alarm (alert crew)
  - b. Stab crossover and full opening safety valve and close
  - c. Space out drill string with upset just beneath the compatible pipe ram.
  - d. Shut-in using compatible pipe ram. (HCR and choke will already be in the closed position.)
  - e. Confirm shut-in
  - f. Notify toolpusher/company representative
  - g. Read and record the following:
    - i. SIDPP and SICP
    - ii. Pit gain
    - iii. Time
  - h. Regroup and identify forward plan
  
3. With BHA in the stack and NO compatible ram preventer and pipe combo immediately available.
  - a. Sound alarm (alert crew)
  - b. If possible to pick up high enough, pull string clear of the stack and follow “Open Hole” scenario.
  - c. If impossible to pick up high enough to pull the string clear of the stack:
  - d. Stab crossover, make up one joint/stand of drillpipe, and full opening safety valve and close
  - e. Space out drill string with tooljoint just beneath the upper pipe ram.
  - f. Shut-in using upper pipe ram. (HCR and choke will already be in the closed position.)
  - g. Confirm shut-in
  - h. Notify toolpusher/company representative
  - i. Read and record the following:
    - i. SIDPP and SICP
    - ii. Pit gain
    - iii. Time
  - j. Regroup and identify forward plan

Sundry ID 2885960.xlsm

War Club 3-4 Fed Com 821H

13 3/8		surface csg in a		17 1/2		inch hole.		Design Factors			Surface	
Segment	#/ft	Grade		Coupling	Body	Collapse	Burst	Length	B@s	a-B	a-C	Weight
"A"	54.50		j 55	btc	41.75	6.45	2.22	375	16	3.73	12.17	20,438
"B"				btc				0				0
w/8.4#/g mud, 30min Sfc Csg Test psig: 1,500								Totals:	375			20,438
Comparison of Proposed to Minimum Required Cement Volumes Tail Cmt does not circ to sfc.												
Hole Size	Annular Volume	1 Stage Cmt Sx	1 Stage CuFt Cmt	Min Cu Ft	1 Stage % Excess	Drilling Mud Wt	Calc MASP	Req'd BOPE				Min Dist Hole-Cplg
17 1/2	0.6946	283	408	260	56	9.00	732	2M				1.56

The plot (pipe racks 3 or 4) as per D.3.1.3(D.4.1) not found

10 3/4		casing inside the		13 3/8		Design Factors			Int 1			
Segment	#/ft	Grade		Coupling	Joint	Collapse	Burst	Length	B@s	a-B	a-C	Weight
"A"	45.50		j 55	btc scc	4.94	1.7	0.71	2,250	3	1.19	2.85	102,375
"B"								0				0
w/8.4#/g mud, 30min Sfc Csg Test psig: 1,500								Totals:	2,250			102,375
The cement volume(s) are intended to achieve a top of 0 ft from surface or a 375 overlap.												
Hole Size	Annular Volume	1 Stage Cmt Sx	1 Stage CuFt Cmt	Min Cu Ft	1 Stage % Excess	Drilling Mud Wt	Calc MASP	Req'd BOPE				Min Dist Hole-Cplg
12 1/4	0.1882	282	563	442	27	10.50	3014	5M				0.50
r D V Tool(s):								sum of sx	Σ CuFt			Σ%excess
t by stage % :								282	563			27
Class 'C' tail cmt yld > 1.35												
Burst Frac Gradient(s) for Segment(s): A, B, C, D = 1.59, b, c, d All > 0.70, OK.												

5 1/2		casing inside the		10 3/4		Design Factors			Prod 1			
Segment	#/ft	Grade		Coupling	Joint	Collapse	Burst	Length	B@s	a-B	a-C	Weight
"A"	20.00		p 110	wedge 461	3.46	2.2	2.5	19,856	3	4.19	3.69	397,120
"B"								0				0
"C"								0				0
"D"								0				0
w/8.4#/g mud, 30min Sfc Csg Test psig: 2,038								Totals:	19,856			397,120
The cement volume(s) are intended to achieve a top of 2050 ft from surface or a 200 overlap.												
Hole Size	Annular Volume	1 Stage Cmt Sx	1 Stage CuFt Cmt	Min Cu Ft	1 Stage % Excess	Drilling Mud Wt	Calc MASP	Req'd BOPE				Min Dist Hole-Cplg
7 7/8	0.1733	1895	3558	3125	14	10.50						0.91
Class 'C' tail cmt yld > 1.35												

0		#N/A		5 1/2		Design Factors			<Choose Casing>			
Segment	#/ft	Grade		Coupling	#N/A	Collapse	Burst	Length	B@s	a-B	a-C	Weight
"A"				0.00				0				0
"B"				0.00				0				0
w/8.4#/g mud, 30min Sfc Csg Test psig:								Totals:	0			0
Cmt vol calc below includes this csg, TOC intended #N/A ft from surface or a #N/A overlap.												
Hole Size	Annular Volume	1 Stage Cmt Sx	1 Stage CuFt Cmt	Min Cu Ft	1 Stage % Excess	Drilling Mud Wt	Calc MASP	Req'd BOPE				Min Dist Hole-Cplg
0		#N/A	#N/A	0	#N/A							
#N/A Capitan Reef est top XXXX.												

Sante Fe Main Office  
Phone: (505) 476-3441

General Information  
Phone: (505) 629-6116

Online Phone Directory  
<https://www.emnrd.nm.gov/ocd/contact-us>

**State of New Mexico**  
**Energy, Minerals and Natural Resources**  
**Oil Conservation Division**  
**1220 S. St Francis Dr.**  
**Santa Fe, NM 87505**

ACKNOWLEDGMENTS

Action 540905

**ACKNOWLEDGMENTS**

Operator: DEVON ENERGY PRODUCTION COMPANY, LP 333 West Sheridan Ave. Oklahoma City, OK 73102	OGRID: 6137
	Action Number: 540905
	Action Type: [C-101] BLM - Federal/Indian Land Lease (Form 3160-3)

**ACKNOWLEDGMENTS**

<input checked="" type="checkbox"/>	I hereby certify that no additives containing PFAS chemicals will be added to the completion or recompletion of this well.
-------------------------------------	--

Sante Fe Main Office  
Phone: (505) 476-3441

General Information  
Phone: (505) 629-6116

Online Phone Directory  
<https://www.emnrd.nm.gov/ocd/contact-us>

**State of New Mexico**  
**Energy, Minerals and Natural Resources**  
**Oil Conservation Division**  
**1220 S. St Francis Dr.**  
**Santa Fe, NM 87505**

CONDITIONS

Action 540905

**CONDITIONS**

Operator: DEVON ENERGY PRODUCTION COMPANY, LP 333 West Sheridan Ave. Oklahoma City, OK 73102	OGRID: 6137
	Action Number: 540905
	Action Type: [C-101] BLM - Federal/Indian Land Lease (Form 3160-3)

**CONDITIONS**

Created By	Condition	Condition Date
tshandee	Cement is required to circulate on both surface and intermediate1 strings of casing.	1/7/2026
tshandee	If cement does not circulate on any string, a Cement Bond Log (CBL) is required for that string of casing.	1/7/2026
ward.rikala	Notify the OCD 24 hours prior to casing & cement.	1/29/2026
ward.rikala	File As Drilled C-102 and a directional Survey with C-104 completion packet.	1/29/2026
ward.rikala	Once the well is spud, to prevent ground water contamination through whole or partial conduits from the surface, the operator shall drill without interruption through the fresh water zone or zones and shall immediately set in cement the water protection string.	1/29/2026
ward.rikala	Oil base muds are not to be used until fresh water zones are cased and cemented providing isolation from the oil or diesel. This includes synthetic oils. Oil based mud, drilling fluids and solids must be contained in a steel closed loop system.	1/29/2026