

| | | |
|------------------------------------|--|--|
| Well Name: SUNDANCE FEDERAL | Well Location: T24S / R31E / SEC 5 / SWSE / 32.2408784 / -103.7975664 | County or Parish/State: EDDY / NM |
| Well Number: 32 | Type of Well: OIL WELL | Allottee or Tribe Name: |
| Lease Number: NMNM104730 | Unit or CA Name: | Unit or CA Number: |
| US Well Number: 3001533675 | Operator: OXY USA INCORPORATED | |

Subsequent Report

Sundry ID: 2859891

Type of Submission: Subsequent Report

Type of Action: Workover Operations

Date Sundry Submitted: 06/25/2025

Time Sundry Submitted: 07:35

Date Operation Actually Began: 07/19/2013

Actual Procedure: THIS IS A LATE SUBSEQUENT REPORT FILING TO UPDATE THE WELL FILE. PERFS WERE ADDED TO THE SAME POOL IN 2013 AND 2015. SEE ATTACHED WELLBORE DIAGRAM AND WORKOVER REPORTS.

SR Attachments

Actual Procedure

SD_32_ADD_PERFS_SR_SUB_6.25.2025_20250625073516.pdf

Well Name: SUNDANCE FEDERAL

Well Location: T24S / R31E / SEC 5 / SWSE / 32.2408784 / -103.7975664

County or Parish/State: EDDY / NM

Well Number: 32

Type of Well: OIL WELL

Allottee or Tribe Name:

Lease Number: NMNM104730

Unit or CA Name:

Unit or CA Number:

US Well Number: 3001533675

Operator: OXY USA INCORPORATED

Operator

I certify that the foregoing is true and correct. Title 18 U.S.C. Section 1001 and Title 43 U.S.C. Section 1212, make it a crime for any person knowingly and willfully to make to any department or agency of the United States any false, fictitious or fraudulent statements or representations as to any matter within its jurisdiction. Electronic submission of Sundry Notices through this system satisfies regulations requiring a

Operator Electronic Signature: STEPHEN JANACEK

Signed on: JUN 25, 2025 07:35 AM

Name: OXY USA INCORPORATED

Title: Regulatory Engineer

Street Address: 5 Greenway Plaza, Suite 110

City: Houston

State: TX

Phone: (713) 497-2417

Email address: stephen_janacek@oxy.com

Field

Representative Name:

Street Address:

City:

State:

Zip:

Phone:

Email address:

BLM Point of Contact

BLM POC Name: JONATHON W SHEPARD

BLM POC Title: Petroleum Engineer

BLM POC Phone: 5752345972

BLM POC Email Address: jshepard@blm.gov

Disposition: Accepted

Disposition Date: 06/26/2025

Signature: Jonathon Shepard

Form 3160-5
(June 2019)

UNITED STATES
DEPARTMENT OF THE INTERIOR
BUREAU OF LAND MANAGEMENT

FORM APPROVED
OMB No. 1004-0137
Expires: October 31, 2021

SUNDRY NOTICES AND REPORTS ON WELLS
Do not use this form for proposals to drill or to re-enter an abandoned well. Use Form 3160-3 (APD) for such proposals.

| | | |
|---|-----------------------------------|---|
| SUBMIT IN TRIPLICATE - Other instructions on page 2 | | 5. Lease Serial No. |
| 1. Type of Well <input type="checkbox"/> Oil Well <input type="checkbox"/> Gas Well <input type="checkbox"/> Other | | 6. If Indian, Allottee or Tribe Name |
| 2. Name of Operator | | 7. If Unit of CA/Agreement, Name and/or No. |
| 3a. Address | 3b. Phone No. (include area code) | 8. Well Name and No. |
| 4. Location of Well (Footage, Sec., T.,R.,M., or Survey Description) | | 9. API Well No. |
| | | 10. Field and Pool or Exploratory Area |
| | | 11. Country or Parish, State |

12. CHECK THE APPROPRIATE BOX(ES) TO INDICATE NATURE OF NOTICE, REPORT OR OTHER DATA

| TYPE OF SUBMISSION | TYPE OF ACTION | | | |
|---|---|---|--|---|
| <input type="checkbox"/> Notice of Intent | <input type="checkbox"/> Acidize | <input type="checkbox"/> Deepen | <input type="checkbox"/> Production (Start/Resume) | <input type="checkbox"/> Water Shut-Off |
| <input type="checkbox"/> Subsequent Report | <input type="checkbox"/> Alter Casing | <input type="checkbox"/> Hydraulic Fracturing | <input type="checkbox"/> Reclamation | <input type="checkbox"/> Well Integrity |
| <input type="checkbox"/> Final Abandonment Notice | <input type="checkbox"/> Casing Repair | <input type="checkbox"/> New Construction | <input type="checkbox"/> Recomplete | <input type="checkbox"/> Other |
| | <input type="checkbox"/> Change Plans | <input type="checkbox"/> Plug and Abandon | <input type="checkbox"/> Temporarily Abandon | |
| | <input type="checkbox"/> Convert to Injection | <input type="checkbox"/> Plug Back | <input type="checkbox"/> Water Disposal | |

13. Describe Proposed or Completed Operation: Clearly state all pertinent details, including estimated starting date of any proposed work and approximate duration thereof. If the proposal is to deepen directionally or recomplete horizontally, give subsurface locations and measured and true vertical depths of all pertinent markers and zones. Attach the Bond under which the work will be performed or provide the Bond No. on file with BLM/BIA. Required subsequent reports must be filed within 30 days following completion of the involved operations. If the operation results in a multiple completion or recompletion in a new interval, a Form 3160-4 must be filed once testing has been completed. Final Abandonment Notices must be filed only after all requirements, including reclamation, have been completed and the operator has determined that the site is ready for final inspection.)

| | |
|---|-------|
| 14. I hereby certify that the foregoing is true and correct. Name (Printed/Typed) | |
| | Title |
| Signature | Date |

THE SPACE FOR FEDERAL OR STATE OFFICE USE

| | | |
|---|-------|--------|
| Approved by | | |
| | Title | Date |
| Conditions of approval, if any, are attached. Approval of this notice does not warrant or certify that the applicant holds legal or equitable title to those rights in the subject lease which would entitle the applicant to conduct operations thereon. | | Office |

Title 18 U.S.C Section 1001 and Title 43 U.S.C Section 1212, make it a crime for any person knowingly and willfully to make to any department or agency of the United States any false, fictitious or fraudulent statements or representations as to any matter within its jurisdiction.

(Instructions on page 2)

GENERAL INSTRUCTIONS

This form is designed for submitting proposals to perform certain well operations and reports of such operations when completed as indicated on Federal and Indian lands pursuant to applicable Federal law and regulations. Any necessary special instructions concerning the use of this form and the number of copies to be submitted, particularly with regard to local area or regional procedures and practices, are either shown below, will be issued by or may be obtained from the local Federal office.

SPECIFIC INSTRUCTIONS

Item 4 - Locations on Federal or Indian land should be described in accordance with Federal requirements. Consult the local Federal office for specific instructions.

Item 13: Proposals to abandon a well and subsequent reports of abandonment should include such special information as is required by the local Federal office. In addition, such proposals and reports should include reasons for the abandonment; data on any former or present productive zones or other zones with present significant fluid contents not sealed off by cement or otherwise; depths (top and bottom) and method of placement of cement plugs; mud or other material placed below, between and above plugs; amount, size, method of parting of any casing, liner or tubing pulled and the depth to the top of any tubing left in the hole; method of closing top of well and date well site conditioned for final inspection looking for approval of the abandonment. If the proposal will involve **hydraulic fracturing operations**, you must comply with 43 CFR 3162.3-3, including providing information about the protection of usable water. Operators should provide the best available information about all formations containing water and their depths. This information could include data and interpretation of resistivity logs run on nearby wells. Information may also be obtained from state or tribal regulatory agencies and from local BLM offices.

NOTICES

The privacy Act of 1974 and the regulation in 43 CFR 2.48(d) provide that you be furnished the following information in connection with information required by this application.

AUTHORITY: 30 U.S.C. 181 et seq., 351 et seq., 25 U.S.C. 396; 43 CFR 3160.

PRINCIPAL PURPOSE: The information is used to: (1) Evaluate, when appropriate, approve applications, and report completion of subsequent well operations, on a Federal or Indian lease; and (2) document for administrative use, information for the management, disposal and use of National Resource lands and resources, such as: (a) evaluating the equipment and procedures to be used during a proposed subsequent well operation and reviewing the completed well operations for compliance with the approved plan; (b) requesting and granting approval to perform those actions covered by 43 CFR 3162.3-2, 3162.3-3, and 3162.3-4; (c) reporting the beginning or resumption of production, as required by 43 CFR 3162.4-1(c) and (d) analyzing future applications to drill or modify operations in light of data obtained and methods used.

ROUTINE USES: Information from the record and/or the record will be transferred to appropriate Federal, State, local or foreign agencies, when relevant to civil, criminal or regulatory investigations or prosecutions in connection with congressional inquiries or to consumer reporting agencies to facilitate collection of debts owed the Government.

EFFECT OF NOT PROVIDING THE INFORMATION: Filing of this notice and report and disclosure of the information is mandatory for those subsequent well operations specified in 43 CFR 3162.3-2, 3162.3-3, 3162.3-4.

The Paperwork Reduction Act of 1995 requires us to inform you that:

The BLM collects this information to evaluate proposed and/or completed subsequent well operations on Federal or Indian oil and gas leases.

Response to this request is mandatory.

The BLM would like you to know that you do not have to respond to this or any other Federal agency-sponsored information collection unless it displays a currently valid OMB control number.

BURDEN HOURS STATEMENT: Public reporting burden for this form is estimated to average 8 hours per response, including the time for reviewing instructions, gathering and maintaining data, and completing and reviewing the form. Direct comments regarding the burden estimate or any other aspect of this form to U.S. Department of the Interior, Bureau of Land Management (1004-0137), Bureau Information Collection Clearance Officer (WO-630), 1849 C St., N.W., Mail Stop 401 LS, Washington, D.C. 20240

Additional Information

Location of Well

0. SHL: SWSE / 660 FSL / 1980 FEL / TWSP: 24S / RANGE: 31E / SECTION: 5 / LAT: 32.2408784 / LONG: -103.7975664 (TVD: 0 feet, MD: 0 feet)

BHL: SWSE / 660 FSL / 1980 FEL / TWSP: 24S / SECTION: / LAT: 0.0 / LONG: 0.0 (TVD: 0 feet, MD: 0 feet)

CURRENT WELLBORE

Sean Lehle
5/23/2025
30-015-33675-0000
Eddy

Current Wellbore
SUNDANCE FEDERAL 032

String 1
OD 13.375 in, 61# H-40 ST&C
TD 922 ft
TOC 0 ft, CIRC 193 SX

String 2
OD 8.625 in, 32# J-55 LT&C
TD 4220 ft
TOC 0 ft, CIRC 238 SX

Anhydrite 4013'
Delaware 4234'
Bell Canyon 4260'

Cherry Canyon 5169'

Manaznita 5334'

Brushy Canyon 6456'

String 3
OD 4.5 in, 11.6# J-55 LT&C
TD 8220 ft
TOC 0 ft, CIRC 54 SX & CBL Verified TOC
PBTD 8138 ft

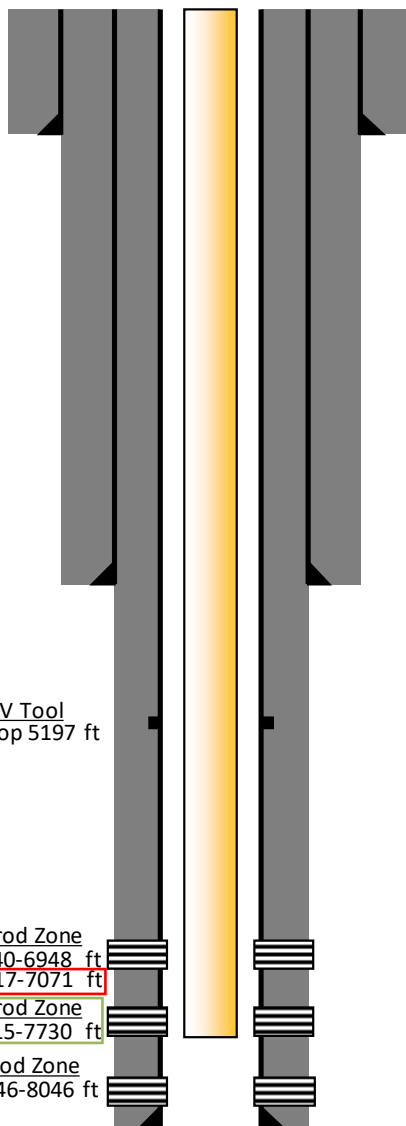
PERFS ADDED IN 2013

PERFS ADDED IN 2015

Bone Spring 8096'

Prod Zone
6940-6948 ft
7017-7071 ft
Prod Zone
7515-7730 ft
Prod Zone
7846-8046 ft

Tubing Assembly
OD 2.375 in
Top 0 ft
Bot 7547 ft



SUNDANCE FEDERAL #032

30-015-33675

ADD PERFS SUBSEQUENT REPORT

7/19/2013

7/19/2013 E&P WIRELINE SUNDANCE FEDERAL # 32 GARY D. MORRISON DAILY-8500 CUM-44,782 CREW TRAVEL TO LOCATION PJSM. DISCUSS DAYS OPERATIONS MIRU WIRELINE TRUCK PU LUBRICATOR AND GAMMA RAY WITH PERF GUN PULL AND LOG STRIP TO GET ON DEPTH. SHOOT PERFS AT 7017-7022 7033-7071' TOOH WITH TOOL AND GUNS PU RIH WITH DUMP BAILER . DUMP BAIL ACROSS PERFS TOOH WITH DUMP BAILER RIG DOWN LUBRICATOR RDMO WIRELINE. MIRU PUMP TRUCK BREAK DOWN PERFS @ 2000 PSI. RDMO PUMP TRUCK

2/7/2015

Rig up Renegade wireline with Crane: RIH with 3 1/8" Titan EXP 3321-421T SDP.42" EHD and 44.19" penetration on 60 degree phasing @ 6 SPF and perforate Stage 1 & 2 in 5 total runs Run 1 Perforate holes 7710 - 7730 when shot holes no pressure just went on vacuum Run 2 Perforate holes 7690 - 7710 when shot holes no pressure or vacuum Run 3 Perforate holes 7640 - 7665 when shot holes no pressure or vacuum Run 4 Perforate holes 7530 - 7550 when shot holes no pressure or vacuum Run 5 Perforate holes 7515 - 7530 when shot holes no pressure or vacuum Pick up & run in with 4 1/2" CIBP and set it 7015' then dump 2sxs of cement on top of it RIH with 3 1/8" Titan EXP 3321-421T SDP.42" EHD and 44.19" penetration on 60 degree phasing @ 6 SPF and perforate Stage 3 @ 6940 - 6948 Rig down Renegade wireline with Crane. Shut frac valves.

Sante Fe Main Office
Phone: (505) 476-3441

General Information
Phone: (505) 629-6116

Online Phone Directory
<https://www.emnrd.nm.gov/ocd/contact-us>

State of New Mexico
Energy, Minerals and Natural Resources
Oil Conservation Division
1220 S. St Francis Dr.
Santa Fe, NM 87505

CONDITIONS

Action 552114

CONDITIONS

| | |
|--|--|
| Operator: OXY USA INC P.O. Box 4294 Houston, TX 772104294 | OGRID: 16696 |
| | Action Number: 552114 |
| | Action Type: [C-103] Sub. Workover (C-103R) |

CONDITIONS

| Created By | Condition | Condition Date |
|------------|--|----------------|
| gcordero | • This well was perforated in 2013 & 2015 without prior approval or notification to OCD. | 2/11/2026 |