

Form 3160-3
(October 2024)

FORM APPROVED
OMB No. 1004-0137
Expires: October 31, 2027

UNITED STATES
DEPARTMENT OF THE INTERIOR
BUREAU OF LAND MANAGEMENT
APPLICATION FOR PERMIT TO DRILL OR REENTER

1a. Type of work: <input checked="" type="checkbox"/> DRILL <input type="checkbox"/> REENTER 1b. Type of Well: <input type="checkbox"/> Oil Well <input checked="" type="checkbox"/> Gas Well <input type="checkbox"/> Other 1c. Type of Completion: <input type="checkbox"/> Hydraulic Fracturing <input checked="" type="checkbox"/> Single Zone <input type="checkbox"/> Multiple Zone		5. Lease Serial No. NMSF078771 6. If Indian, Allottee or Tribe Name 7. If Unit or CA Agreement, Name and No. NMNM078407E/ROSA UNIT 8. Lease Name and Well No. ROSA UNIT 510H 9. API Well No. 30-039-31508
2. Name of Operator LOGOS OPERATING LLC		10. Field and Pool, or Exploratory BASIN MANCOS/BASIN MANCOS 11. Sec., T. R. M. or Blk. and Survey or Area SEC 11/T31N/R6W/NMP
3a. Address 2010 AFTON PLACE, FARMINGTON, NM 87401	3b. Phone No. (include area code) (505) 278-8720	
4. Location of Well (Report location clearly and in accordance with any State requirements. *) At surface SWSW / 527 FSL / 1110 FWL / LAT 36.908347 / LONG -107.43743 At proposed prod. zone NWSW / 2288 FSL / 265 FWL / LAT 36.913048 / LONG -107.494392		12. County or Parish RIO ARRIBA 13. State NM
14. Distance in miles and direction from nearest town or post office*		
15. Distance from proposed* location to nearest property or lease line, ft. (Also to nearest drig. unit line, if any) 265 feet	16. No of acres in lease 511.43	17. Spacing Unit dedicated to this well 20. BLM/BIA Bond No. in file FED: NMB001820
18. Distance from proposed location* to nearest well, drilling, completed, applied for, on this lease, ft. 25 feet	19. Proposed Depth 6958 feet / 23615 feet	21. Elevations (Show whether DF, KDB, RT, GL, etc.) 6388 feet
22. Approximate date work will start* 10/01/2025		23. Estimated duration 45 days
24. Attachments		

The following, completed in accordance with the requirements of Onshore Oil and Gas Order No. 1, and the Hydraulic Fracturing rule per 43 CFR 3162.3-3 (as applicable)

- | | |
|---|---|
| 1. Well plat certified by a registered surveyor.
2. A Drilling Plan.
3. A Surface Use Plan (if the location is on National Forest System Lands, the SUPO must be filed with the appropriate Forest Service Office). | 4. Bond to cover the operations unless covered by an existing bond on file (see Item 20 above).
5. Operator certification.
6. Such other site specific information and/or plans as may be requested by the BLM. |
|---|---|

25. Signature (Electronic Submission) Title Regulatory Specialist	Name (Printed/Typed) ETTA TRUJILLO / Ph: (505) 324-4145	Date 08/27/2025
Approved by (Signature) (Electronic Submission) Title AFM-Minerals	Name (Printed/Typed) DAVE J MANKIEWICZ / Ph: (505) 564-7761 Office Farmington Field Office	Date 12/22/2025

Application approval does not warrant or certify that the applicant holds legal or equitable title to those rights in the subject lease which would entitle the applicant to conduct operations thereon.
Conditions of approval, if any, are attached.

Title 18 U.S.C. Section 1001 and Title 43 U.S.C. Section 1212, make it a crime for any person knowingly and willfully to make to any department or agency of the United States any false, fictitious or fraudulent statements or representations as to any matter within its jurisdiction.



(Continued on page 2)

*(Instructions on page 2)

INSTRUCTIONS

GENERAL: This form is designed for submitting proposals to perform certain well operations, as indicated on Federal and Indian lands and leases for action by appropriate Federal agencies, pursuant to applicable Federal laws and regulations. Any necessary special instructions concerning the use of this form and the number of copies to be submitted, particularly with regard to local, area, or regional procedures and practices, either are shown below or will be issued by, or may be obtained from local Federal offices.

ITEM I: If the proposal is to redrill to the same reservoir at a different subsurface location or to a new reservoir, use this form with appropriate notations. Consult applicable Federal regulations concerning subsequent work proposals or reports on the well.

ITEM 4: Locations on Federal or Indian land should be described in accordance with Federal requirements. Consult local Federal offices for specific instructions.

ITEM 14: Needed only when location of well cannot readily be found by road from the land or lease description. A plat, or plats, separate or on the reverse side, showing the roads to, and the surveyed location of, the well, and any other required information, should be furnished when required by Federal agency offices.

ITEMS 15 AND 18: If well is to be, or has been directionally drilled, give distances for subsurface location of hole in any present or objective productive zone.

ITEM 22: Consult applicable Federal regulations, or appropriate officials, concerning approval of the proposal before operations are started.

ITEM 24: If the proposal will involve hydraulic fracturing operations, you must comply with 43 CFR 3162.3-3, including providing information about the protection of usable water. Operators should provide the best available information about all formations containing water and their depths. This information could include data and interpretation of resistivity logs run on nearby wells. Information may also be obtained from state or tribal regulatory agencies and from local BLM offices.

NOTICES

The Privacy Act of 1974 and regulation in 43 CFR 2.48(d) provide that you be furnished the following information in connection with information required by this application.

AUTHORITY: 30 U.S.C. 181 et seq., 25 U.S.C. 396; 43 CFR 3160

PRINCIPAL PURPOSES: The information will be used to: (1) process and evaluate your application for a permit to drill a new oil, gas, or service well or to reenter a plugged and abandoned well; and (2) document, for administrative use, information for the management, disposal and use of National Resource Lands and resources including (a) analyzing your proposal to discover and extract the Federal or Indian resources encountered; (b) reviewing procedures and equipment and the projected impact on the land involved; and (c) evaluating the effects of the proposed operation on the surface and subsurface water and other environmental impacts.

ROUTINE USE: Information from the record and/or the record will be transferred to appropriate Federal, State, and local or foreign agencies, when relevant to civil, criminal or regulatory investigations or prosecution, in connection with congressional inquiries and for regulatory responsibilities.

EFFECT OF NOT PROVIDING INFORMATION: Filing of this application and disclosure of the information is mandatory only if you elect to initiate a drilling or reentry operation on an oil and gas lease.

The Paperwork Reduction Act of 1995 requires us to inform you that:

The BLM connects this information to a new evaluation of the technical, safety, and environmental factors involved with drilling for oil and/or gas on Federal and Indian oil and gas leases. This information will be used to analyze and approve applications. Response to this request is mandatory only if the operator elects to initiate drilling or reentry operations on an oil and gas lease. The BLM would like you to know that you do not have to respond to this or any other Federal agency-sponsored information collection unless it displays a currently valid OMB control number.

BURDEN HOURS STATEMENT: Public reporting burden for this form is estimated to average 8 hours per response, including the time for reviewing instructions, gathering and maintaining data, and completing and reviewing the form. Direct comments regarding the burden estimate or any other aspect of this form to U.S. Department of the Interior, Bureau of Land Management (1004-0137), Bureau Information Connection Clearance Officer (WO-630), 1849 C Street, N.W., Mail Stop 401 LS, Washington, D.C. 20240.

Additional Operator Remarks

Location of Well

0. SHL: SWSW / 527 FSL / 1110 FWL / TWSP: 31N / RANGE: 6W / SECTION: 11 / LAT: 36.908347 / LONG: -107.43743 (TVD: 0 feet, MD: 0 feet)
PPP: NWSE / 1899 FSL / 1314 FEL / TWSP: 31N / RANGE: 6W / SECTION: 10 / LAT: 36.912104 / LONG: -107.445719 (TVD: 0 feet, MD: 0 feet)
PPP: NWSE / 2172 FSL / 1324 FEL / TWSP: 31N / RANGE: 6W / SECTION: 8 / LAT: 36.912769 / LONG: -107.481737 (TVD: 0 feet, MD: 0 feet)
PPP: NESE / 1864 FSL / 1 FEL / TWSP: 31N / RANGE: 6W / SECTION: 10 / LAT: 36.912027 / LONG: -107.441226 (TVD: 0 feet, MD: 0 feet)
PPP: NESE / 2003 FSL / 1 FEL / TWSP: 31N / RANGE: 6W / SECTION: 9 / LAT: 36.912335 / LONG: -107.459197 (TVD: 0 feet, MD: 0 feet)
PPP: NESE / 2147 FSL / 1 FEL / TWSP: 31N / RANGE: 6W / SECTION: 8 / LAT: 36.912669 / LONG: -107.477209 (TVD: 0 feet, MD: 0 feet)
PPP: LOT 1 / 1933 FSL / 2627 FWL / TWSP: 31N / RANGE: 6W / SECTION: 10 / LAT: 36.912181 / LONG: -107.450212 (TVD: 0 feet, MD: 0 feet)
PPP: NESW / 2198 FSL / 2641 FWL / TWSP: 31N / RANGE: 6W / SECTION: 8 / LAT: 36.912869 / LONG: -107.486264 (TVD: 0 feet, MD: 0 feet)
PPP: NWSW / 1853 FSL / 562 FWL / TWSP: 31N / RANGE: 6W / SECTION: 11 / LAT: 36.911994 / LONG: -107.439305 (TVD: 7005 feet, MD: 7506 feet)
BHL: NWSW / 2288 FSL / 265 FWL / TWSP: 31N / RANGE: 6W / SECTION: 8 / LAT: 36.913048 / LONG: -107.494392 (TVD: 6958 feet, MD: 23615 feet)

BLM Point of Contact

Name: CHRISTOPHER P WENMAN

Title: Natural Resource Specialist

Phone: (505) 564-7727

Email: cwenman@blm.gov

CONFIDENTIAL



United States Department of the Interior



BUREAU OF LAND MANAGEMENT
Farmington District Office
6251 College Blvd, Suite A
Farmington, New Mexico 87402

In Reply Refer To:
3162.3-1(NMF0110)

* LOGOS OPERATING LLC
#510H ROSA UNIT
Lease: NMSF078771 Unit: NMNM78407E
SH: SW $\frac{1}{4}$ SW $\frac{1}{4}$ Section 11, T.31 N., R.6 W.
Rio Arriba County, New Mexico
BH: NE $\frac{1}{4}$ SW $\frac{1}{4}$ Section 8, T.31 N., R.5 W.
San Juan County, New Mexico
***Above Data Required on Well Sign**

GENERAL REQUIREMENTS FOR OIL AND GAS OPERATIONS ON FEDERAL AND INDIAN LEASES

The following special requirements apply and are effective when **checked**:

- A. Note all surface/drilling conditions of approval attached.
- B. The required wait on cement (WOC) time will be a minimum of 500 psi compressive strength at 60 degrees. Blowout preventor (BOP) nipple-up operations may then be initiated
- C. Test all casing strings below the conductor casing to .22 psi/ft. of casing string length or 1500 psi, whichever is greater, but not to exceed 70% of the minimum internal yield (burst) for a minimum of 30 minutes. If pressure declines more than 10 percent in 30 minutes, corrective action shall be taken.
- D. Communitization Agreement covering the acreage dedicated to this well must be filed for approval with the Bureau of Land Management, New Mexico State Office, Reservoir Management Group, 301 Dinosaur Trail, Santa Fe, New Mexico 87508.
The effective date of the agreement must be **prior** to any sales.
- E. The use of co-flex hose is authorized contingent upon the following:
 1. From the BOP to the choke manifold: the co-flex hose must be hobbled on both ends and saddle to prevent whip.
 2. From the choke manifold to the discharge tank: the co-flex hoses must be as straight as practical, hobbled on both ends and anchored to prevent whip.
 3. The co-flex hose pressure rating must be at least commensurate with approved BOPE.

INTERIOR REGION 7 • UPPER COLORADO BASIN

COLORADO, NEW MEXICO, UTAH, WYOMING

I. GENERAL

- A. Full compliance with all applicable laws and regulations, with the approved Permit to drill, and with the approved Surface Use and Operations Plan is required. Lessees and/or operators are fully accountable for the actions of their contractors and subcontractors. Failure to comply with these requirements and the filing of required reports will result in strict enforcement pursuant to 43 CFR 3163.1 or 3163.2.
- B. Each well shall have a well sign in legible condition from spud date to final abandonment. The sign should show the operator's name, lease serial number, or unit name, well number, location of the well, and whether lease is Tribal or Allotted, (See 43 CFR 3162.6(b)).
- C. A complete copy of the approved Application for Permit to Drill, along with any conditions of approval, shall be available to authorized personnel at the drill site whenever active drilling operations are under way.
- D. For Wildcat wells only, a drilling operations progress report is to be submitted, to the BLM-Field Office, weekly from the spud date until the well is completed and the Well Completion Report is filed. The report should be on 8-1/2 x 11 inch paper, and each page should identify the well by; operator's name, well number, location and lease number.
- E. As soon as practical, notice is required of all blowouts, fires and accidents involving life-threatening injuries or loss of life. (See NTL-3A).
- F. BOP equipment (except the annular preventer) shall be tested utilizing a test plug to full working pressure for 10 minutes. No bleed-off of pressure is acceptable. (See 43 CFR 3172.6(b)(9)(ii)).
- G. The operator shall have sufficient weighting materials and lost circulation materials on location in the event of a pressure kick or in the event of lost circulation. (See 43 CFR 3172.8(a)).
- H. The flare line(s) discharge shall be located not less than 100 feet from the well head, having straight lines unless turns are targeted with running tees, and shall be positioned downwind of the prevailing wind direction and shall be anchored. The flare system shall have an effective method for ignition. Where noncombustible gas is likely or expected to be vented, the system shall be provided supplemental fuel for ignition and to maintain a continuous flare. (See 43 CFR 3172.8(b)(7)).
- I. Prior approval by the BLM-Authorized Office (Drilling and Production Section) is required for variance from the approved drilling program and before commencing plugging operations, plug back work, casing repair work, corrective cementing operations, or suspending drilling operations indefinitely. Emergency approval may be obtained orally, but such approval is contingent upon filing of a Notice of Intent sundry within three business days. **Any changes to the approved plan or any questions regarding drilling operations should be directed to BLM during regular business hours at 505-564-7600. Emergency program changes after hours should be directed to Virgil Lucero at 505-793-1836.**
- J. **The Inspection and Enforcement Section (I&E), phone number (505-564-7750) is to be notified at least 24 hours in advance of BOP test, spudding, cementing, or plugging operations so that a BLM representative may witness the operations.**

- K. From the time drilling operations are initiated and until drilling operations are completed, a member of the drilling crew or the tool pusher shall maintain rig surveillance at all times, unless the well is secured with blowout preventers or cement plugs.
- L. If for any reason, drilling operations are suspended for more than 90 days, a written notice must be provided to this office outlining your plans for this well.
- M. **Commingling:** No production (oil, gas, and water) from the subject well should start until Sundry Notices (if necessary) granting variances from applicable regulations as related to commingling and off-lease measurement are approved by this office. (See 43 CFR 3173.14)

II. REPORTING REQUIREMENTS

- A. For reporting purposes, all well Sundry notices, well completion and other well actions shall be referenced by the appropriate lease, communitization agreement and/or unit agreement numbers.
- B. The following reports shall be filed with the BLM-Authorized Officer online through AFMSS 2 within 30 days after the work is completed.
 - 1. Provide complete information concerning.
 - a. Setting of each string of casing. Show size and depth of hole, grade and weight of casing, depth set, depth of all cementing tools that are used, amount (in cubic feet) and types of cement used, whether cement circulated to surface and all cement tops in the casing annulus, casing test method and results, and the date work was done. Show spud date on first report submitted.
 - b. Intervals tested, perforated (include size, number and location of perforations), acidized, or fractured; and results obtained. Provide date work was done on well completion report and completion sundry notice.
 - c. Subsequent Report of Abandonment, show the way the well was plugged, including depths where casing was cut and pulled, intervals (by depths) where cement plugs were replaced, and dates of the operations.
 - 2. Well Completion Report will be submitted with 30 days after well has been completed.
 - a. Initial Bottom Hole Pressure (BHP) for the producing formations. Show the BHP on the completion report. The pressure may be: 1) measured with a bottom hole bomb, or; 2) calculated based on shut in surface pressures (minimum seven day buildup) and fluid level shot.
 - 3. Submit a cement evaluation log if cement is not circulated to surface.
- C. Production Startup Notification is required no later than the 5th business day after any well begins production on which royalty is due anywhere on a lease site or allocated to a lease site or resumes production in the case of a well which has been off production for more than 90 days. The operator shall notify the Authorized Officer by letter or Sundry Notice, Form 3160-5, or orally to be followed by a letter or Sundry Notice, of the date on which such production has begun or resumed. CFR 43 3162.4-1(c).

III. DRILLER'S LOG

The following shall be entered in the daily driller's log: 1) Blowout preventer pressures tests, including test pressures and results, 2) Blowout preventer tests for proper functioning, 3) Blowout prevention drills conducted, 4) Casing run, including size, grade, weight, and depth set, 5) How pipe was cemented, including amount of cement, type, whether cement circulated to surface, location of cementing tools, etc., 6) Waiting on cement time for each casing string, 7) Casing pressure tests after cementing, including test pressure and results, and 8) Estimated amounts of oil and gas recovered and/or produced during drill stem test.

IV. GAS FLARING

Gas produced from this well may not be vented or flared beyond an initial, authorized test period of *** Days**, 20 MMCF following its (completion)(recompletion), or flowback has been routed to the production separator, whichever first occurs, without the prior, written approval of the authorized officer in accordance with 43 CFR 3179.81. Should gas be vented or flared without approval beyond the test period authorized above, you may be directed to shut-in the well until the gas can be captured or approval to continue venting or flaring as uneconomic is granted. You shall be required to compensate the lessor for the portion of the gas vented or flared without approval which is determined to have been avoidably lost.

***30 days**, unless a longer test period is specifically approved by the authorized officer. The 30-day period will commence upon the beginning of flowback following completion or recompletion.

V. SAFETY

- A. All rig heating stoves are to be of the explosion-proof type.
- B. Rig safety lines are to be installed.
- C. Hard hats and other Personal Protective Equipment (PPE) must be utilized.

VI. CHANGE OF PLANS OR ABANDONMENT

- A. Any changes of plans required to mitigate unanticipated conditions encountered during drilling operations, will require approval as set forth in Section 1.I.
- B. If the well is dry, it is to be plugged in accordance with 43 CFR 3162.3-4, approval of the proposed plugging program is required as set forth in Section 1.I. The report should show the total depth reached, the reason for plugging, and the proposed intervals, by depths, where cement plugs are to be placed, type of plugging mud, etc. A Subsequent Report of Abandonment is required as set forth in Section II.B.1c.
- C. Unless a well has been properly cased and cemented, or properly plugged, the drilling rig must not be moved from the drill site without prior approval from the BLM-Authorized Officer.

VII. PHONE NUMBERS

- A. **For BOPE tests, cementing, and plugging operations the phone number is 505-564-7750 and must be called 24 hours in advance in order that a BLM representative may witness the operations.**

C-102 Submit Electronically Via OCD Permitting	State of New Mexico Energy, Minerals & Natural Resources Department OIL CONSERVATION DIVISION	Revised July 9, 2024	Submittal Type: <input checked="" type="checkbox"/> Initial Submittal <input type="checkbox"/> Amended Report <input type="checkbox"/> As Drilled
---	--	----------------------	--

WELL LOCATION INFORMATION

API Number 30-039-31508	Pool Code 97232	Pool Name BASIN MANCOS
Property Code 320608	Property Name ROSA UNIT	
OGRID No. 289408	Operator Name LOGOS OPERATING, LLC	Well Number 510H
Surface Owner: <input type="checkbox"/> State <input type="checkbox"/> Fee <input type="checkbox"/> Tribal <input checked="" type="checkbox"/> Federal		Ground Level Elevation 6388'
Mineral Owner: <input checked="" type="checkbox"/> State <input checked="" type="checkbox"/> Fee <input type="checkbox"/> Tribal <input checked="" type="checkbox"/> Federal		

Surface Location (SHL)

UL	Section	Township	Range	Lot	Ft from the N/S	Ft from the E/W	Latitude	Longitude	County
M	11	31N	6W		527' SOUTH	1110' WEST	36.908347° N	107.437430° W	RIO ARRIBA

Bottom Hole Location (BHL)

UL	Section	Township	Range	Lot	Ft from the N/S	Ft from the E/W	Latitude	Longitude	County
L	8	31N	6W		2288' SOUTH	265' WEST	36.913048° N	107.494392° W	SAN JUAN

Dedicated Acres SEC 11: NW/SW (40 AC.); SEC 10: NE/SE, NW/SE, LOT 1 & LOT 2 (151.43 AC.); SEC 9: N/2 S/2 (160 AC.); SEC 8: N/2 S/2 (160 AC.) = 511.43 ACRES	PENETRATED SPACING UNIT: IN FILL	Defining Well API R-13457	Overlapping Spacing Unit (Y/N) N	Consolidation Code UNITIZATION
Order Numbers: R-13457		Well Setbacks are under Common Ownership: <input type="checkbox"/> Yes <input checked="" type="checkbox"/> No		

Kick Off Point (KOP)

UL	Section	Township	Range	Lot	Ft from the N/S	Ft from the E/W	Latitude	Longitude	County
L	11	31N	6W		1707' SOUTH	1197' WEST	36.911589° N	107.437132° W	RIO ARRIBA

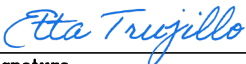

First Take Point (FTP)

UL	Section	Township	Range	Lot	Ft from the N/S	Ft from the E/W	Latitude	Longitude	County
L	11	31N	6W		1853' SOUTH	562' WEST	36.911994° N	107.439305° W	RIO ARRIBA

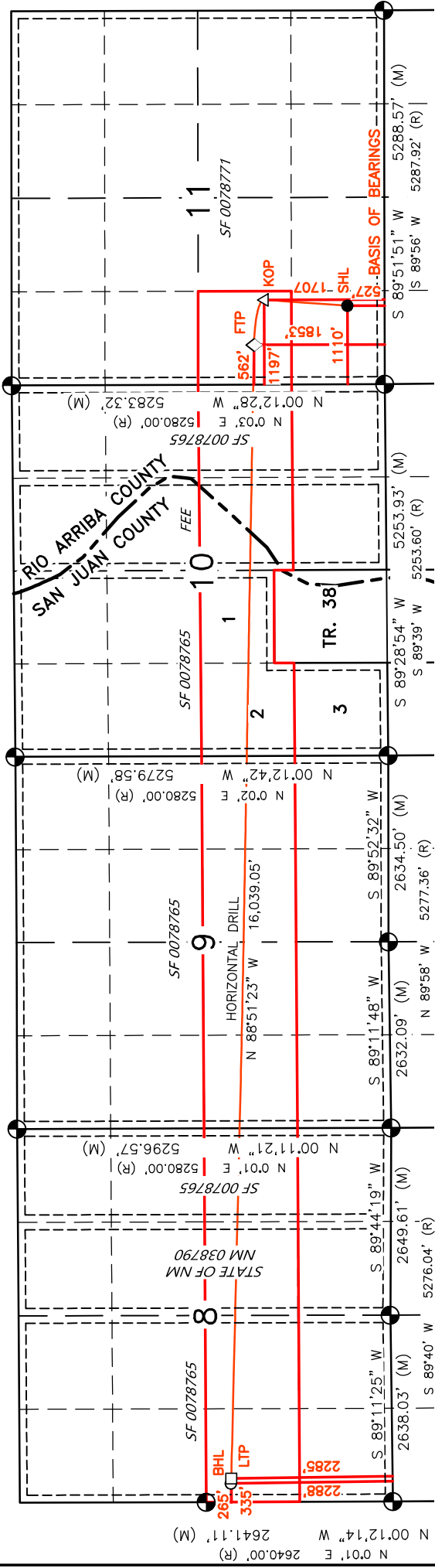
Last Take Point (LTP)

UL	Section	Township	Range	Lot	Ft from the N/S	Ft from the E/W	Latitude	Longitude	County
L	8	31N	6W		2285' SOUTH	335' WEST	36.913042° N	107.494153° W	SAN JUAN

Unitized Area or Area of Uniform Interest ROSA	Spacing Unit Type <input checked="" type="checkbox"/> Horizontal <input type="checkbox"/> Vertical	Ground Floor Elevation
--	--	------------------------

<p>OPERATOR CERTIFICATIONS</p> <p><i>I hereby certify that the information contained herein is true and complete to the best of my knowledge and belief, and, if the well is a vertical or directional well, that this organization either owns a working interest or unleased mineral interest in the land including the proposed bottom hole location or has a right to drill this location well at this location pursuant to a contract with an owner of a working interest or unleased mineral interest, or to a voluntary pooling agreement or a compulsory pooling order heretofore entered by the division.</i></p> <p><i>If this well is a horizontal well, I further certify that this organization has received the consent of at least one lessee or owner of a working interest or unleased mineral interest in each tract (in the target pool or formation) in which any part of the well's completed interval will be located or obtained a compulsory pooling order from the division.</i></p> <div style="display: flex; justify-content: space-between; margin-top: 20px;"> <div style="text-align: center;">  _____ Signature </div> <div style="text-align: center;"> 8/11/2025 _____ Date </div> </div> <div style="margin-top: 20px;"> Etta Trujillo _____ Printed Name </div> <div style="margin-top: 20px;"> etrujillo@logosresourcesllc.com _____ E-mail Address </div>	<p>SURVEYOR CERTIFICATIONS</p> <p><i>I hereby certify that the well location shown on this plat was plotted from field notes of actual surveys made by me or under my supervision, and that the same is true and correct to the best of my belief.</i></p> <div style="text-align: center; margin: 20px 0;">  </div> <div style="text-align: center; margin-top: 20px;"> Signature and Seal of Professional Surveyor: </div> <table border="1" style="width:100%; border-collapse: collapse; margin-top: 10px;"> <tr> <td style="width:50%;">Certificate Number</td> <td style="width:50%;">Date of Survey</td> </tr> <tr> <td style="text-align: center;">11393</td> <td style="text-align: center;">APRIL 30, 2025</td> </tr> </table>	Certificate Number	Date of Survey	11393	APRIL 30, 2025
Certificate Number	Date of Survey				
11393	APRIL 30, 2025				

Note: No allowable will be assigned to this completion until all interests have been consolidated or a non-standard unit has been approved by the division.



- **SURFACE LOCATION (SHL)**
 527' FSL 1110' FWL
 SEC. 11, T31N, R6W
 LAT. 36.908347° N (NAD83)
 LONG. 107.437430° W (NAD83)
- △ **KICK OFF POINT (KOP)**
 1707' FSL 1197' FWL
 SEC. 11, T31N, R6W
 LAT. 36.911589° N (NAD83)
 LONG. 107.437132° W (NAD83)
- ◇ **FIRST TAKE POINT (FTP)**
 1853' FSL 562' FWL
 SEC. 11, T31N, R6W
 LAT. 36.911994° N (NAD83)
 LONG. 107.439305° W (NAD83)
- **LAST TAKE POINT (LTP)**
 2285' FSL 335' FWL
 SEC. 8, T31N, R6W
 LAT. 36.913042° N (NAD83)
 LONG. 107.494153° W (NAD83)
- **BOTTOM HOLE LOCATION (BHL)**
 2288' FSL 265' FWL
 SEC. 8, T31N, R6W
 LAT. 36.913048° N (NAD83)
 LONG. 107.494392° W (NAD83)

State of New Mexico
 Energy, Minerals and Natural Resources Department

Submit Electronically
 Via E-permitting

Oil Conservation Division
 1220 South St. Francis Dr.
 Santa Fe, NM 87505

NATURAL GAS MANAGEMENT PLAN

This Natural Gas Management Plan must be submitted with each Application for Permit to Drill (APD) for a new or recompleted well.

Section 1 – Plan Description Effective May 25, 2021

I. Operator: LOGOS Operating, LLC **OGRID:** 289408 **Date:** 09/24/2025

II. Type: Original Amendment due to 19.15.27.9.D(6)(a) NMAC 19.15.27.9.D(6)(b) NMAC Other.

If Other, please describe: _____

III. Well(s): Provide the following information for each new or recompleted well or set of wells proposed to be drilled or proposed to be recompleted from a single well pad or connected to a central delivery point.

Well Name	API	ULSTR	Footages	Anticipated Oil BBL/D	Anticipated Gas MCF/D	Anticipated Produced Water BBL/D
Rosa Unit 510H	30-039-	M 11 T31N R6W	527'FSL 1110'FWL	N/A	22,097	796
Rosa Unit 512H	30-039-	M 11 T31N R6W	501'FSL 1111'FWL	N/A	22,097	796
Rosa Unit 514H	30-039-	M 11 T31N R6W	477'FSL 1112'FWL	N/A	20,393	731
Rosa Unit 515H	30-039-	M 11 T31N R6W	551'FSL 1110'FWL	N/A	21,744	783

IV. Central Delivery Point Name: Harvest Gathering System [See 19.15.27.9(D)(1) NMAC]

V. Anticipated Schedule: Provide the following information for each new or recompleted well or set of wells proposed to be drilled or proposed to be recompleted from a single well pad or connected to a central delivery point.

Well Name	API	Spud Date	TD Reached Date	Completion Commencement Date	Initial Flow Back Date	First Production Date
Rosa Unit 604H	30-039-	Pending	Pending	Pending	Pending	Pending
Rosa Unit 606H	30-039-	Pending	Pending	Pending	Pending	Pending
Rosa Unit 606H	30-039-	Pending	Pending	Pending	Pending	Pending
Rosa Unit 606H	30-039-	Pending	Pending	Pending	Pending	Pending

VI. Separation Equipment: Attach a complete description of how Operator will size separation equipment to optimize gas capture.

VII. Operational Practices: Attach a complete description of the actions Operator will take to comply with the requirements of Subsection A through F of 19.15.27.8 NMAC.

VIII. Best Management Practices: Attach a complete description of Operator's best management practices to minimize venting during active and planned maintenance.

Section 2 – Enhanced Plan

EFFECTIVE APRIL 1, 2022

Beginning April 1, 2022, an operator that is not in compliance with its statewide natural gas capture requirement for the applicable reporting area must complete this section.

Operator certifies that it is not required to complete this section because Operator is in compliance with its statewide natural gas capture requirement for the applicable reporting area.

IX. Anticipated Natural Gas Production:

Well	API	Anticipated Average Natural Gas Rate MCF/D	Anticipated Volume of Natural Gas for the First Year MCF

X. Natural Gas Gathering System (NGGS):

Operator	System	ULSTR of Tie-in	Anticipated Gathering Start Date	Available Maximum Daily Capacity of System Segment Tie-in

XI. Map. Attach an accurate and legible map depicting the location of the well(s), the anticipated pipeline route(s) connecting the production operations to the existing or planned interconnect of the natural gas gathering system(s), and the maximum daily capacity of the segment or portion of the natural gas gathering system(s) to which the well(s) will be connected.

XII. Line Capacity. The natural gas gathering system will will not have capacity to gather 100% of the anticipated natural gas production volume from the well prior to the date of first production.

XIII. Line Pressure. Operator does does not anticipate that its existing well(s) connected to the same segment, or portion, of the natural gas gathering system(s) described above will continue to meet anticipated increases in line pressure caused by the new well(s).

Attach Operator’s plan to manage production in response to the increased line pressure.

XIV. Confidentiality: Operator asserts confidentiality pursuant to Section 71-2-8 NMSA 1978 for the information provided in Section 2 as provided in Paragraph (2) of Subsection D of 19.15.27.9 NMAC, and attaches a full description of the specific information for which confidentiality is asserted and the basis for such assertion.

Section 3 - Certifications

Effective May 25, 2021

Operator certifies that, after reasonable inquiry and based on the available information at the time of submittal:

Operator will be able to connect the well(s) to a natural gas gathering system in the general area with sufficient capacity to transport one hundred percent of the anticipated volume of natural gas produced from the well(s) commencing on the date of first production, taking into account the current and anticipated volumes of produced natural gas from other wells connected to the pipeline gathering system; or

Operator will not be able to connect to a natural gas gathering system in the general area with sufficient capacity to transport one hundred percent of the anticipated volume of natural gas produced from the well(s) commencing on the date of first production, taking into account the current and anticipated volumes of produced natural gas from other wells connected to the pipeline gathering system.

If Operator checks this box, Operator will select one of the following:

Well Shut-In. Operator will shut-in and not produce the well until it submits the certification required by Paragraph (4) of Subsection D of 19.15.27.9 NMAC; or

Venting and Flaring Plan. Operator has attached a venting and flaring plan that evaluates and selects one or more of the potential alternative beneficial uses for the natural gas until a natural gas gathering system is available, including:

- (a) power generation on lease;
- (b) power generation for grid;
- (c) compression on lease;
- (d) liquids removal on lease;
- (e) reinjection for underground storage;
- (f) reinjection for temporary storage;
- (g) reinjection for enhanced oil recovery;
- (h) fuel cell production; and
- (i) other alternative beneficial uses approved by the division.

Section 4 - Notices

1. If, at any time after Operator submits this Natural Gas Management Plan and before the well is spud:

(a) Operator becomes aware that the natural gas gathering system it planned to connect the well(s) to has become unavailable or will not have capacity to transport one hundred percent of the production from the well(s), no later than 20 days after becoming aware of such information, Operator shall submit for OCD's approval a new or revised venting and flaring plan containing the information specified in Paragraph (5) of Subsection D of 19.15.27.9 NMAC; or

(b) Operator becomes aware that it has, cumulatively for the year, become out of compliance with its baseline natural gas capture rate or natural gas capture requirement, no later than 20 days after becoming aware of such information, Operator shall submit for OCD's approval a new or revised Natural Gas Management Plan for each well it plans to spud during the next 90 days containing the information specified in Paragraph (2) of Subsection D of 19.15.27.9 NMAC, and shall file an update for each Natural Gas Management Plan until Operator is back in compliance with its baseline natural gas capture rate or natural gas capture requirement.

2. OCD may deny or conditionally approve an APD if Operator does not make a certification, fails to submit an adequate venting and flaring plan which includes alternative beneficial uses for the anticipated volume of natural gas produced, or if OCD determines that Operator will not have adequate natural gas takeaway capacity at the time a well will be spud.

I certify that, after reasonable inquiry, the statements in and attached to this Natural Gas Management Plan are true and correct to the best of my knowledge and acknowledge that a false statement may be subject to civil and criminal penalties under the Oil and Gas Act.

Signature:	<i>Etta Trujillo</i>
Printed Name:	Etta Trujillo
Title:	Regulatory Specialist
E-mail Address:	etrujillo@logosresourcesllc.com
Date:	09/24/2025
Phone:	(505) 324-4154

OIL CONSERVATION DIVISION
(Only applicable when submitted as a standalone form)

Approved By:
Title:
Approval Date:
Conditions of Approval:

VI. Separation Equipment

The operator will select separation equipment for the maximum anticipated throughput and pressure to optimize gas capture. Separation equipment is sized according to manufacturer's design specifications. Separation vessels are built following the A.S.M.E. section VII division 1 codes for pressure vessel design, fabrication, inspection, testing and certification. Anticipated well pressures and production rates are evaluated to select separation equipment according to the equipment's designed operating pressure and throughput.

After completion, the operator utilizes flowback equipment, including separators, to manage wellbore fluids and solids during the initial separation period. After the initial flowback period is complete the operator utilizes iterative facility separation equipment to ensure that optimal separation is achieved.

VII. Operational Practices 19.15.27.8 NMAC A through F

- A. The operator will maximize the recovery of natural gas and minimize the amount of gas vented or flared when technically and safely feasible as further described and detailed within the following subsections (B-F of 19.15.27.8). In all cases where natural gas venting and flaring requires regulatory reporting, reporting will be submitted accurately and within the required time frames.
- B. Venting and flaring during drilling operations:
 - a. New Drill HZ Oil Wells: The operator drills wells in the area by utilizing a balanced mud to safely drill the wellbore. This technique prevents gas from coming to surface during the drilling process. If there is an emergency or malfunction and natural gas does come to surface the natural gas will be captured or combusted, with an appropriately sized and located flare stack, if technically and safely feasible.
 - b. New Drill HZ Gas Wells: The operator drills wells in the area by balancing the mud weight to safely drill the wellbore with as minimal flaring as possible. When gas kicks enter the wellbore, sometimes it is necessary to circulate it out of the wellbore to an appropriately sized and located flare stack. The operator will estimate the volume flared and appropriately report.
- C. Venting and flaring during completion or recompletion operations:
 - a. New Drill HZ Oil Wells: The operator's facilities are designed to handle the maximum throughput and pressures from the newly drilled and completed wellbores. The amount of gas vented and flared will be minimized when technically and safely feasible. During initial flowback and initial separation flowback the operator will utilize contracted flowback equipment, including separators, to manage wellbore fluids and solids. The initial flowback period will be minimized and flow will be sent to separation equipment as soon as possible to reduce the amount of gas that is vented to atmosphere. During the separation flowback period natural gas will be routed to a properly sized and located flare until the natural gas is of pipeline quality (less than 60 days). The natural gas will also be utilized on site as needed for fuel gas or injection gas.
 - b. New Drill HZ Gas Wells: The operator's facilities are designed to handle the maximum throughput and pressures from the newly drilled and completed wellbores. The amount of gas vented and flared will be minimized when technically and safely feasible. During initial flowback and initial separation flowback the operator will utilize contracted flowback equipment, including separators, to manage wellbore fluids and solids. The initial flowback period will be minimized and flow will be sent to separation equipment as soon as possible to reduce the amount of gas that is vented to atmosphere. The natural gas will be utilized on site as needed for fuel gas and natural gas will be sold.
- D. Venting and flaring during production operations:

- a. New Drill HZ Oil Wells: The operator's facilities are designed to handle the maximum throughput and pressures from producing wellbores. The amount of gas vented and flared will be minimized when technically and safely feasible. This facility will operate under a notice of intent (NOI) from the New Mexico Environment Department (NMED).

Operations will effectively manage the following scenarios to minimize the quantity of natural gas that is vented or flared:

- (a) If there is an emergency or malfunction, vented or flared natural gas will be reported, if required, and the emergency or malfunction will be resolved as soon as technically and safely feasible.
- (b) If the wellbore requires liquids to be unloaded to atmosphere, the operator will not vent the well after the well has achieved a stabilized rate and pressure. The operator will remain on site during unloading. Plunger lift systems will be optimized to reduce the amount of natural gas venting. Downhole maintenance, such as workovers, swabbing, etc. will only be conducted as needed and best management practices will be utilized to reduce venting of natural gas.
- (c) The operator will minimize the amount of time that natural gas is vented to atmosphere from gauging and sampling a storage tank or low-pressure vessel, automatic tank gauges will be the primary means of gauging with minor exceptions.
- (d) The operator will reduce the amount of time needed for loading out liquids from a storage tanks or other low-pressure vessels whenever feasible. Operations will utilize a LACT system when available to minimize gas vented during oil tank loading.
- (e) Equipment will be repaired and maintained routinely to minimize the venting or flaring of natural gas. Repairs and maintenance will be conducted in a manner that minimizes the amount of natural gas vented to atmosphere through the isolation of the equipment that is being repaired or maintained.
- (f) Electric controllers and pumps will be installed to replace pneumatic controllers whenever feasible. Pneumatic controllers and pumps will be inspected frequently to ensure that no excess gas is vented to atmosphere.
- (g) Storage tanks and other low-pressure vessel normal operational venting will be minimized during the early life of the well with the installation of a vapor recovery unit to limit the flash and working and breathing emissions to atmosphere.
- (h) No dehydration or amine units are anticipated to be set on location.
- (i) Compressors, compressor engines, turbines, flanges, connectors, valves, and flanges will be routinely inspected to ensure that no excess venting occurs outside of normal operation.
- (j) Regulatory required testing, such as bradenhead and packer testing will be performed in a manner that minimizes the amount of natural gas vented to atmosphere.
- (k) When natural gas does not meet gathering pipeline specifications, for example high nitrogen content after a nearby frac, gas samples will be collected twice per week to determine when pipeline specification gas content has been achieved. During this time frame gas will be flared and not vented to atmosphere. Natural gas that meets pipeline specifications will be sold via pipeline and natural gas that can be utilized for fuel gas will be used during this time.
- (l) If pipeline, equipment, or facilities need purged of impurities gas losses will be minimized as much as technically and safely feasible.

- b. New Drill HZ Gas Wells: The operator's facilities are designed to handle the maximum throughput and pressures from producing wellbores. The amount of gas vented and flared will be minimized when technically and safely feasible.

Operations will effectively manage the following scenarios to minimize the quantity of natural gas that is vented or flared:

- (a) If there is an emergency or malfunction vented or flared natural gas will be reported, if required, and the emergency or malfunction will be resolved as soon as technically and safely feasible.
- (b) If the wellbore needs to be unloaded to atmosphere the operator will not vent the well after the well has achieved a stabilized rate and pressure. The operator will remain on site during unloading. Plunger lift systems will be optimized to reduce the amount of natural gas venting. Downhole maintenance, such as workovers, swabbing, etc. will only be conducted as needed and best management practices will be utilized to reduce venting of natural gas.
- (c) The operator will minimize the amount of time that natural gas is vented to atmosphere from gauging and sampling a storage tank or low-pressure vessel, automatic tank gauges will be the primary means of gauging. The formation is only anticipated to produce water and therefore tank emissions are anticipated to be negligible.
- (d) The operator will reduce the amount of time needed for loading out liquids from a storage tanks or other low-pressure vessels whenever feasible. Operations will always utilize the water transfer systems when available. Water loading emissions are anticipated to be negligible.
- (e) Equipment will be repaired and maintained routinely to minimize the venting or flaring of natural gas. Repairs and maintenance will be conducted in a manner that minimizes the amount of natural gas vented to atmosphere through the isolation of the equipment that is being repaired or maintained.
- (f) Electric controllers and pumps, or instrument air, will be installed to replace pneumatic controllers whenever feasible. Pneumatic controllers and pumps will be inspected frequently to ensure that no excess gas is vented to atmosphere.
- (g) No dehydration or amine units are anticipated to be set on location.
- (h) Compressors, compressor engines, turbines, flanges, connectors, valves, storage tanks, and other low-pressure vessels and flanges will be routinely inspected to ensure that no excess venting occurs outside of normal operations.
- (i) Regulatory required testing, such as bradenhead and packer testing will be performed in a manner that minimizes the amount of natural gas vented to atmosphere.
- (j) If natural gas does not meet gathering pipeline specifications gas samples will be collected twice per week to determine when pipeline specification gas content has been achieved. During this time frame gas will be flared and not vented to atmosphere. Natural gas that meets pipeline specifications will be sold via pipeline and natural gas that can be utilized for fuel gas will be used during this time.
- (k) If pipeline, equipment, or facilities need purged of impurities gas losses will be minimized as much as technically and safely feasible.

E. Performance standards:

- a. The production facilities are designed to handle the maximum throughput and pressures from producing wellbores and will be designed to minimize waste. The amount of gas vented and flared will be minimized when technically and safely feasible.

- b. All tanks that are routed to a control device that is installed after 5/25/2021 will have an automatic gauging system to minimize the amount of vented natural gas.
 - c. If a flare stack is installed or replaced after 5/25/2021 it will be equipped with an automatic ignitor or continuous pilot. The flare stack will be properly sized and designed to ensure proper combustion efficiency. The flare stack will be located 100 feet away from the nearest wellhead or storage tank.
 - d. AVO inspections will be conducted weekly for the year after completion and for all wells producing greater than 60,000 cubic feet of natural gas daily. The AVO inspection will include all components, including flare stacks, thief hatches, closed vent systems, pumps, compressors, pressure relief devices, valves, lines, flanges, connectors, and associated pipeline to identify any leaks and releases by comprehensive auditory, visual, and olfactory inspection. The AVO inspection records will be maintained for 5 years which will be available at the department's request. Identified leaks will be repaired as soon as feasible to minimize the amount of vented natural gas.
- F. Measurement or estimation of vented and flared natural gas.
- a. The volume of natural gas that is vented, flared or consumed for beneficial use will be measured when possible, or estimated, during drilling, completions, or production operations.
 - b. Equipment will be installed to measure the volume of natural gas flared for all APD's issued after 5/25/2021 on facilities that will have an average daily gas rate greater than 60,000 cubic feet of natural gas. Measurement equipment will conform to API MPMS Chapter 14.10 regulations. The measurement equipment will not have a manifold that allows the diversion of natural gas around the metering element except for the sole purpose of inspecting and servicing the measurement equipment. If metering is not practical, then the volume of gas will be estimated.



LOGOS Operating, LLC Operations Plan

Note: This procedure will be adjusted onsite based upon actual conditions

Date:	9/18/2025	Pool:	Basin Mancos
Well Name:	Rosa Unit 510H	GL Elevation:	6,388'
Surface Location:	Sec 11, T31N, R6W 527' FSL, 1110' FWL (36.908347° N, -107.437430° W – NAD83)	KB:	30'
Bottom Hole Location:	Sec 8, T31N, R6W 2288' FSL, 265' FWL (36.913048° N, -107.494392° W – NAD83)	Measured Depth:	23,615' (KB)
Lease Serial CA Serial	# NMSF078765 # NMNM78407E	County:	Rio Arriba / San Juan

I. GEOLOGY

A. Formation Tops (Based on KB Elevation): Estimated top of important geological markers:
SURFACE FORMATION – NACIMIENTO

NAME	MD	TVD	NAME	MD	TVD
OJO ALAMO	2,472'	2,438'	*POINT LOOKOUT	5,811'	5,704'
KIRTLAND	2,617'	2,580'	*MANCOS	6,326'	6,208'
*FRUITLAND	3,014'	2,968'	KICKOFF POINT	6,498'	6,376'
*PICTURED CLIFFS	3,470'	3,414'	LANDING POINT	7,506'	7,005'
LEWIS	3,570'	3,512'	TD	23,615'	6,958'
CHACRA	4,728'	4,645'			
*CLIFF HOUSE	5,523'	5,422'			
MENEFEE	5,572'	5,470'			

* indicates depth at which anticipated water, oil, gas or other mineral bearing formations are expected to be encountered.

B. MUD LOGGING PROGRAM: Mudlogger on location from KOP to TD.

C. LOGGING PROGRAM: LWD GR from surface casing to TD.

D. NATURAL GAUGES: Gauge any noticeable increases in gas flow. Record all gauges in Tour book and on morning reports.

II. DRILLING

A. MUD PROGRAM: LSND mud (WBM) will be used to drill the 26"/24" conductor hole. LSND (WBM) will be used to drill the 17-1/2" surface hole and 12-1/4" intermediate hole. A LSND (WBM) or (OBM) will be used to drill the 8-1/2" curve and lateral portion of the wellbore. Treat for lost circulation as necessary. Obtain 100% returns prior to cementing. Notify Engineering of any mud losses.

Above ground steel pits will be used for fluid and cuttings while drilling. In the unlikely event that a tank develops a leak, upon immediate visual discovery, the fluid would be transferred to another tank and contaminated soil would be removed and disposed. Any leaks, spills or other undesirable events will be reported in accordance with BLM NTL 3A. Rig crews will monitor the tanks at all times.



- B. **BOP TESTING:** The BOPE will be tested to **250 psi (Low) for 5 minutes** and **3000 psi (High) for 10 minutes**. Pressure test conductor casing to **600 psi for 30 minutes**, surface casing to **1500 psi for 30 minutes** and intermediate casing to **1500 psi for 30 minutes**. Utilize a BOPE Testing Unit with a recording chart and appropriate test plug for testing. The drum brakes will be inspected and tested each tour. BOP equipment will be tested every 30 days, after any repairs are made to the BOP equipment, and after the BOP equipment is subjected to pressure. Annular preventers will be functionally operated at least once per week. Pipe and blind rams shall be activated each trip or but not more than once a day. The New Mexico Oil & Gas Conservation Commission and the BLM will be notified 24 hours in advance of testing of BOPE. **All tests and inspections will be recorded and logged with time and results.** A full BOP test will be conducted when initially installed for the first well on the pad or if seals subject to test pressure are broken, following related repairs and at a minimum of 30 day intervals. A BOPE Shell Test only will be conducted for subsequent wells on the pad when seals subject to pressure have not been broken or repaired and fall within the 30 day interval of first full test.
- C. **GeoHazards:** There are no Geohazards
- D. **Maximum Anticipated Pressure:** 7005' TVD x 0.43 = 3013 psi
- E. **H2S Concerns:** There is no record of any naturally occurring H2S in any formation in the Rosa Unit. No H2S is anticipated in this formation or this well.

III. **MATERIALS**

A. **CASING EQUIPMENT:**

CASING TYPE	OHSIZE (IN)	DEPTH (MD)	CSG SIZE	WEIGHT	GRADE	CONN
CONDUCTOR	26" or 24"	320' or greater (GL)	20"	94 LBS	J-55 or equiv	LTC/BTC
SURFACE	17.5"	3,520'	13.375"	54.5 LBS	J-55 or equiv	LTC/BTC
INTERMEDIATE	12.25"	6,436'	9.625"	43.5 LBS	N-80 or equiv	LTC/BTC
PRODUCTION	8.5"	23,615'	5.5"	20 LBS	P-110 or equiv	LTC/BTC

NOTE: All casing depths are approximate, based on KB elevation and will be based on drilling conditions +/- 50'. Weights, grades and connections will be based on availability and may vary but will be equivalent or greater.

B. **FLOAT EQUIPMENT:**

1. **CONDUCTOR CASING:** 20" cement nose guide shoe. Place float collar 1 joint above shoe. Run (1) standard centralizer on each of the bottom (3) joints of casing.
2. **SURFACE CASING:** 13-3/8" cement nose guide shoe with float. Place float collar one joint above the shoe. Install (1) centralizer on each of the bottom (3) joints and one standard centralizer every (3) joints to 2,500 ft. Run (1) centralizer at 2,500 ft., 2,000ft., 1,500 ft., 1,000 ft., and 500ft.
 - Casing will be kept fluid filled during drilling
3. **INTERMEDIATE CASING:** 9-5/8" cement float shoe. Place float collar one joint above the shoe. Install (1) centralizer on each of the bottom (3) joints and one standard centralizer every (3) joints to 2,500 ft. Run (1) centralizer at 2,500 ft., 2,300ft., 2,000ft., 1,500 ft., and 1,000 ft. Optional use of DV Tools (2) will be strategically placed above loss circulation zones anticipated in the Mesaverde and Fruitland Coal. Optional use of cancelation plugs for DV tools may be used if losses while cementing are not encountered. Optional use of an ICP may be used in conjunction with DV Tools.
4. **PRODUCTION CASING:** Run 5-1/2" casing with cement nose guide Float Shoe, 5-1/2" full or pup joints as necessary, Landing Collar, 5-1/2" full or pup joints as necessary, at least (1) one



Toe Sleeve (Sliding Sleeve) positioned inside the applicable production area. Centralizer program will be determined by wellbore conditions. Production casing to be pressure tested during completion operations with frac stack installed.

C. CEMENTING:

(Note: Cement type and volumes may be adjusted onsite due to actual conditions and availability)

1. **CONDUCTOR:** Casing shall be set at ~ 320'(GL) and cemented to surface. TOC at Surface.

Conductor - 20"	Top	Footage	Cement (ft3/ft) Annular Capacity	Excess (30%)	Total (ft3)	Total (bbl)	Slurry Yield (ft3/sk)	Sacks Cement	Density (PPG)
Type G	-	320	0.9599	1.3	449	80	1.10	408	15.8
Type III		320	0.9599	1.3	449	80	1.39	323	14.6

24" hole

Set Depth (GL) 320

2. **SURFACE:** Casing shall be kept fluid-filled while running into the hole to meet BLM minimum collapse requirements. The surface casing will be cemented in 1 stage. If cement does not circulate to the surface, a CBL will be run to determine TOC.

Surface - 13-3/8", 54.5#	Top	Footage	Cement (ft3/ft) Annular Capacity	Excess (30%)	Total (ft3)	Total (bbl)	Slurry Yield (ft3/sk)	Sacks Cement	Density (PPG)
Stage 1 Tail	2,920	600	0.6947	1.3	575	102	1.15	501	15.8
Stage 1 Lead - OH	320	2,600	0.6947	1.3	2,348	418	2.66	882	11.8
Stage 2 Lead - Cased	-	320	1.019	1	326	58	2.66	123	11.8
					3,250	579		1506	

Set Depth 3520

3. **INTERMEDIATE :** Casing shall be kept fluid filled while running in to the hole to meet BLM minimum collapse requirements. The intermediate casing will be cemented in 2 or 3 stages using DV/STAGE tools in order to reduce cement losses and maximize cement coverage. Operator proposes optional DV tools and optional ICP's above anticipated loss circulation zones in the Mesaverde and in the Fruitland coal. If losses are not observed during the second stage a cancelation plug will be pumped and the remaining cement will be pumped during stage 2. If cement does not circulate to the DV tool(s) or to surface, a CBL will be run to determine



Intermediate - 9-5/8", 43.5#	Top	Footage	Cement (ft3/ft) Annular Capacity	Excess (30%)	Total (ft3)	Total (bbl)	Slurry Yield (ft3/sk)	Sacks Cement	Density (PPG)
Stage 1 Tail	5,936	500	0.3132	1.3	220	39	1.15	192	15.8
Stage 1 Lead	4,803	1,133	0.3132	1.3	461	82	2.66	173	11.8
					681	121		365	
Stage 2 Tail	4,203	600	0.3132	1.3	244	44	1.76	139	13.5
Stage 2 Lead	3,520	683	0.3132	1.3	278	50	2.66	105	11.8
Stage 2 Lead - Cased	3,420	100	0.3627	1	36	6	2.66	14	11.8
Stage 2 Totals					559	100		257	
Int 2 Totals					1,240	221		622	
Contingency									
Stage 3 Tail	3,520	75	0.3132	1.3	31	5	1.76	17	13.5
Stage 3 Tail - Cased	3,020	500	0.3627	1	181	32	1.76	103	13.5
Stage 3 Lead - Cased	-	3,020	0.3627	1	1,095	195	2.66	412	11.8
Contingency Stage 3 Totals					1,307	233		532	

Set Depth

6436

TOC. Calculations based on 30% excess for open hole and cement to surface. Actual excess pumped will be determined by well conditions.

- 4. **PRODUCTION:** Casing will be cemented in 1 stage with 100' of cement overlap above intermediate shoe. A CBL, or alternatively, a Temperature Survey will be used to determine TOC.

Production - 5-1/2", 20#	Top	ft	Cement (ft3/ft) Annular Capacity	Excess (15%)	Total (ft3)	Total (bbl)	Slurry Yield (ft3/sk)	Sacks Cement	Density (PPG)
Cased Lead	6,336	100	0.2531	1	25	5	2.03	12	13.2
Open Hole Lead	6,436	17,179	0.2291	1.15	4,531	807	2.03	2,231	13.2
					4,557	812		2,244	

Set depth

23615

Calculations based on 15% excess for open hole and 100' overlap into intermediate casing. Actual volumes will vary.

Cement calculations are used for volume estimation. Well conditions will dictate final cement job design. Actual volumes will be calculated and determined by conditions onsite. All cement slurries will meet or exceed minimum BLM and New Mexico Oil Conservation Division requirements. Slurries used will be the slurries listed above or equivalent slurries depending on service provider selected. Cement yields may change depending on slurries selected. All waiting on cement times shall be a minimum of 8 hours or adequate to achieve a minimum of 500 psi compressive strength at the casing shoe prior to drilling out.

IV. COMPLETION

A. CBL

CBLs and/or Temperature Surveys will be performed as needed or required to determine cement top if cement is not circulated.

B. PRESSURE TEST

- C. Pressure test 5-1/2" casing to 0.22 psi/ft * 7005' TVD = 1542 psi for 30 minutes. Increase pressure to Open RSI sleeves.

D. STIMULATION

Stimulate with sand and water. Isolate stages with flow through or dissolvable frac plugs. Drill out frac



E. PRODUCTION TUBING

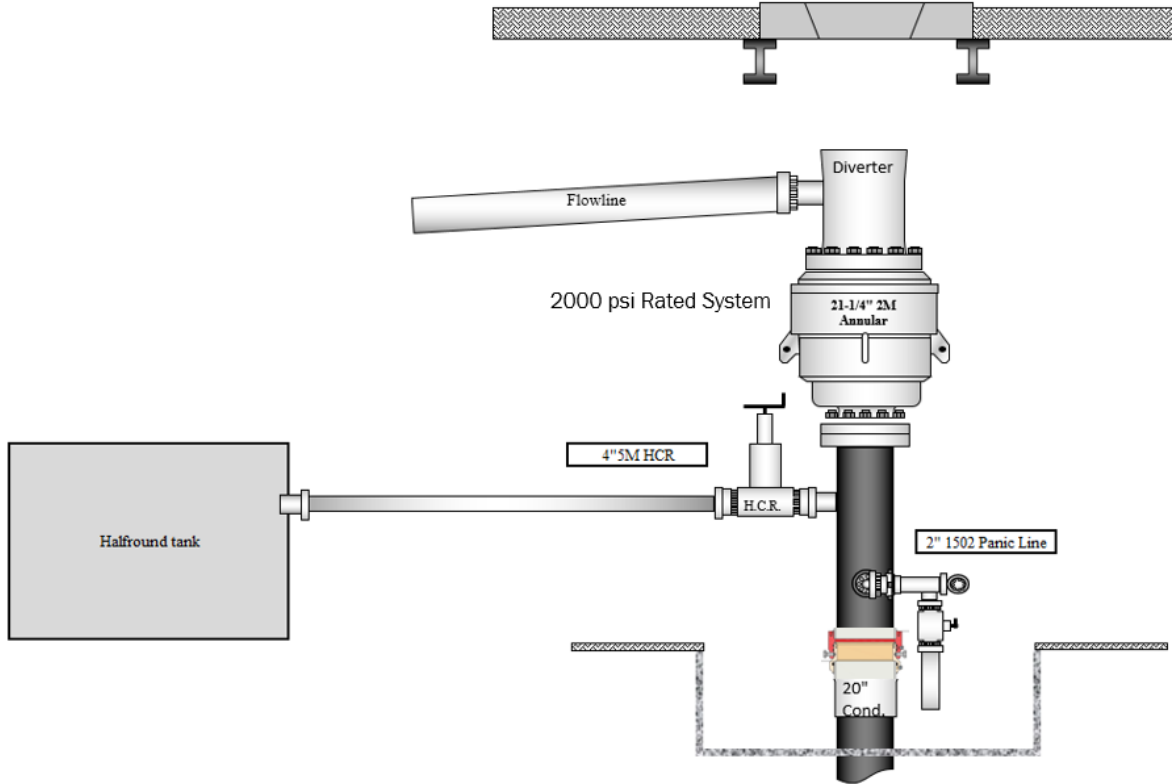
2-7/8", 6.5#, J-55 or L-80, EUE tubing will be run once volumes and pressures dictate. Due to the extremely high initial flow rates and pressures seen in offset wells, tubing will be installed once it is safe to do so, typically 12-36 months after completion.

*NOTE: Although this horizontal well may be drilled past the applicable setbacks, an unorthodox location application is not required because the completed interval in this well, as defined by 19.15.16.7 8(1) NMAC, will be entirely within the applicable setbacks. This approach complies with all applicable rules, including 19.15.16.14 A(3) NMAC, 19.15.16.14 8(2) NMAC, 19.15.16.15 8(2)NMAC, and 19.15.16.15. 8(4) NMAC.



BOP Equipment

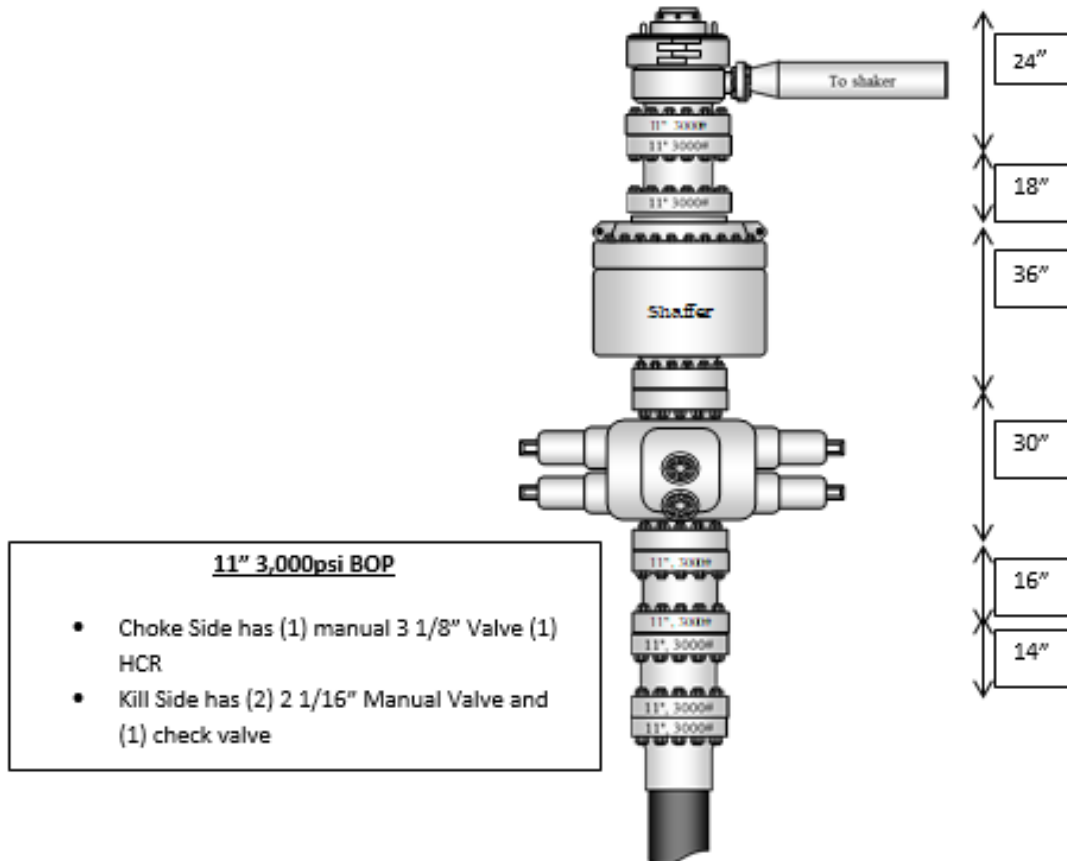
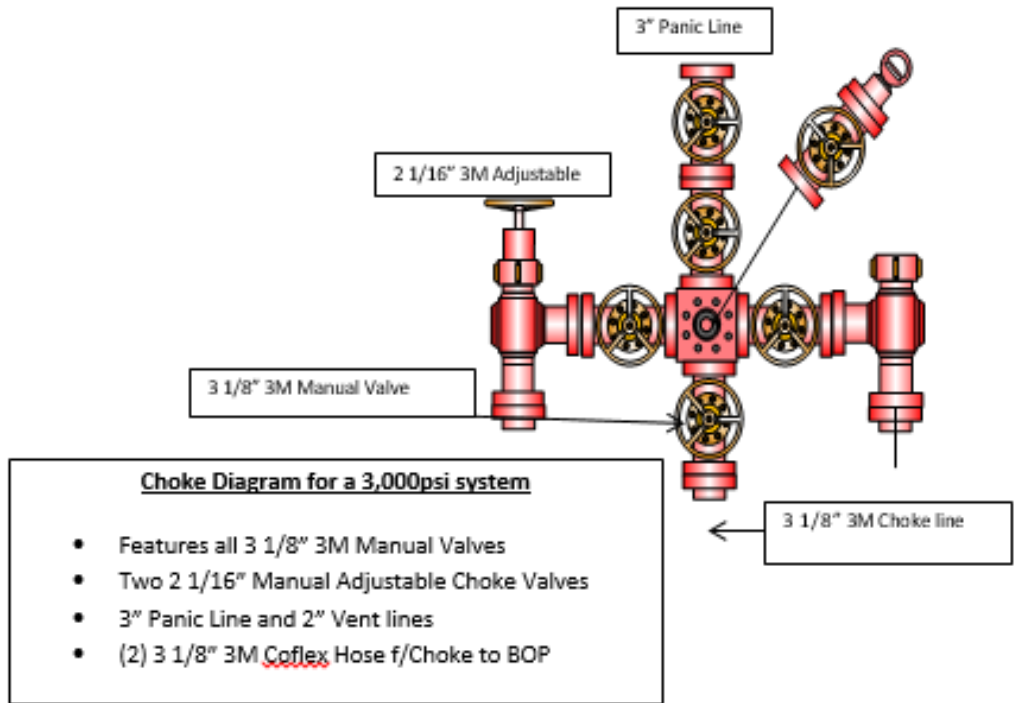
Surface Hole Diverter:





BOP:

3M 11" B.O.P.E Diagram



Logos Operating LLC

Rio Arriba, NM (NAD83)

Rosa Unit 14

Rosa Unit 510H

OH

Plan: Prelim 2

Standard Planning Report

01 May, 2025

SDT Planning Report

Database:	EDM 5000 Multi User Db	Local Co-ordinate Reference:	Well Rosa Unit 510H
Company:	Logos Operating LLC	TVD Reference:	6388+30 @ 6418.00usft (H&P 530)
Project:	Rio Arriba, NM (NAD83)	MD Reference:	6388+30 @ 6418.00usft (H&P 530)
Site:	Rosa Unit 14	North Reference:	True
Well:	Rosa Unit 510H	Survey Calculation Method:	Minimum Curvature
Wellbore:	OH		
Design:	Prelim 2		

Project	Rio Arriba, NM (NAD83)		
Map System:	US State Plane 1983	System Datum:	Mean Sea Level
Geo Datum:	North American Datum 1983		
Map Zone:	New Mexico Western Zone		

Site	Rosa Unit 14				
Site Position:		Northing:	2,150,155.41 usft	Latitude:	36.908210
From:	Lat/Long	Easting:	2,838,839.49 usft	Longitude:	-107.437424
Position Uncertainty:	0.00 usft	Slot Radius:	13-3/16 "		

Well	Rosa Unit 510H					
Well Position	+N/-S	0.00 usft	Northing:	2,150,205.28 usft	Latitude:	36.908347
	+E/-W	0.00 usft	Easting:	2,838,837.53 usft	Longitude:	-107.437430
Position Uncertainty		0.00 usft	Wellhead Elevation:	usft	Ground Level:	6,388.00 usft
Grid Convergence:	0.24 °					

Wellbore	OH				
Magnetics	Model Name	Sample Date	Declination (°)	Dip Angle (°)	Field Strength (nT)
	HRGM	4/21/2025	8.39	63.25	49,240.36264467

Design	Prelim 2			
Audit Notes:				
Version:	Phase:	PLAN	Tie On Depth:	0.00
Vertical Section:	Depth From (TVD) (usft)	+N/-S (usft)	+E/-W (usft)	Direction (°)
	0.00	0.00	0.00	271.38

Plan Survey Tool Program		Date	5/1/2025		
Depth From (usft)	Depth To (usft)	Survey (Wellbore)	Tool Name	Remarks	
1	0.00	23,615.49 Prelim 2 (OH)	MWD+HRGM+MS		
			MWD + HRGM + Multi-Station		

SDT
Planning Report

Database:	EDM 5000 Multi User Db	Local Co-ordinate Reference:	Well Rosa Unit 510H
Company:	Logos Operating LLC	TVD Reference:	6388+30 @ 6418.00usft (H&P 530)
Project:	Rio Arriba, NM (NAD83)	MD Reference:	6388+30 @ 6418.00usft (H&P 530)
Site:	Rosa Unit 14	North Reference:	True
Well:	Rosa Unit 510H	Survey Calculation Method:	Minimum Curvature
Wellbore:	OH		
Design:	Prelim 2		

Plan Sections										
Measured Depth (usft)	Inclination (°)	Azimuth (°)	Vertical Depth (usft)	+N/-S (usft)	+E/-W (usft)	Dogleg Rate (°/100usft)	Build Rate (°/100usft)	Turn Rate (°/100usft)	TFO (°)	Target
0.00	0.00	0.00	0.00	0.00	0.00	0.00	0.00	0.00	0.00	
500.00	0.00	0.00	500.00	0.00	0.00	0.00	0.00	0.00	0.00	
1,099.27	11.99	4.23	1,094.91	62.28	4.60	2.00	2.00	0.00	4.23	
6,497.58	11.99	4.23	6,375.55	1,180.25	87.21	0.00	0.00	0.00	0.00	
7,506.29	90.17	271.23	7,005.00	1,327.76	-548.15	9.00	7.75	-9.22	-92.90	RU 510H POE
17,006.29	90.17	271.23	6,977.57	1,531.69	-10,045.93	0.00	0.00	0.00	0.00	
17,024.88	90.17	271.60	6,977.51	1,532.15	-10,064.51	2.00	0.02	2.00	89.34	
23,545.49	90.17	271.60	6,958.20	1,714.41	-16,582.54	0.00	0.00	0.00	0.00	RU 510H FPP
23,615.49	90.17	271.60	6,957.99	1,716.37	-16,652.51	0.00	0.00	0.00	0.00	RU 510H PBHL

SDT Planning Report

Database:	EDM 5000 Multi User Db	Local Co-ordinate Reference:	Well Rosa Unit 510H
Company:	Logos Operating LLC	TVD Reference:	6388+30 @ 6418.00usft (H&P 530)
Project:	Rio Arriba, NM (NAD83)	MD Reference:	6388+30 @ 6418.00usft (H&P 530)
Site:	Rosa Unit 14	North Reference:	True
Well:	Rosa Unit 510H	Survey Calculation Method:	Minimum Curvature
Wellbore:	OH		
Design:	Prelim 2		

Planned Survey										
Measured Depth (usft)	Inclination (°)	Azimuth (°)	Vertical Depth (usft)	+N/-S (usft)	+E/-W (usft)	Vertical Section (usft)	Dogleg Rate (°/100usft)	Build Rate (°/100usft)	Turn Rate (°/100usft)	
0.00	0.00	0.00	0.00	0.00	0.00	0.00	0.00	0.00	0.00	0.00
100.00	0.00	0.00	100.00	0.00	0.00	0.00	0.00	0.00	0.00	0.00
200.00	0.00	0.00	200.00	0.00	0.00	0.00	0.00	0.00	0.00	0.00
300.00	0.00	0.00	300.00	0.00	0.00	0.00	0.00	0.00	0.00	0.00
400.00	0.00	0.00	400.00	0.00	0.00	0.00	0.00	0.00	0.00	0.00
500.00	0.00	0.00	500.00	0.00	0.00	0.00	0.00	0.00	0.00	0.00
Start Build 2.00										
600.00	2.00	4.23	599.98	1.74	0.13	-0.09	2.00	2.00	2.00	0.00
700.00	4.00	4.23	699.84	6.96	0.51	-0.35	2.00	2.00	2.00	0.00
800.00	6.00	4.23	799.45	15.65	1.16	-0.78	2.00	2.00	2.00	0.00
900.00	8.00	4.23	898.70	27.80	2.05	-1.38	2.00	2.00	2.00	0.00
1,000.00	10.00	4.23	997.47	43.40	3.21	-2.16	2.00	2.00	2.00	0.00
1,099.27	11.99	4.23	1,094.91	62.28	4.60	-3.10	2.00	2.00	2.00	0.00
Start 5398.32 hold at 1099.27 MD										
1,200.00	11.99	4.23	1,193.44	83.14	6.14	-4.14	0.00	0.00	0.00	0.00
1,300.00	11.99	4.23	1,291.26	103.85	7.67	-5.17	0.00	0.00	0.00	0.00
1,400.00	11.99	4.23	1,389.08	124.56	9.20	-6.20	0.00	0.00	0.00	0.00
1,500.00	11.99	4.23	1,486.90	145.27	10.73	-7.23	0.00	0.00	0.00	0.00
1,600.00	11.99	4.23	1,584.72	165.98	12.26	-8.26	0.00	0.00	0.00	0.00
1,700.00	11.99	4.23	1,682.54	186.69	13.79	-9.29	0.00	0.00	0.00	0.00
1,800.00	11.99	4.23	1,780.36	207.40	15.32	-10.33	0.00	0.00	0.00	0.00
1,900.00	11.99	4.23	1,878.18	228.11	16.85	-11.36	0.00	0.00	0.00	0.00
2,000.00	11.99	4.23	1,976.00	248.82	18.38	-12.39	0.00	0.00	0.00	0.00
2,100.00	11.99	4.23	2,073.82	269.53	19.91	-13.42	0.00	0.00	0.00	0.00
2,200.00	11.99	4.23	2,171.64	290.24	21.45	-14.45	0.00	0.00	0.00	0.00
2,300.00	11.99	4.23	2,269.46	310.95	22.98	-15.48	0.00	0.00	0.00	0.00
2,400.00	11.99	4.23	2,367.28	331.66	24.51	-16.51	0.00	0.00	0.00	0.00
2,472.29	11.99	4.23	2,438.00	346.63	25.61	-17.26	0.00	0.00	0.00	0.00
Ojo Alamo										
2,500.00	11.99	4.23	2,465.10	352.37	26.04	-17.54	0.00	0.00	0.00	0.00
2,600.00	11.99	4.23	2,562.92	373.08	27.57	-18.57	0.00	0.00	0.00	0.00
2,617.46	11.99	4.23	2,580.00	376.69	27.83	-18.75	0.00	0.00	0.00	0.00
Kirtland										
2,700.00	11.99	4.23	2,660.74	393.79	29.10	-19.60	0.00	0.00	0.00	0.00
2,800.00	11.99	4.23	2,758.56	414.50	30.63	-20.64	0.00	0.00	0.00	0.00
2,900.00	11.99	4.23	2,856.38	435.21	32.16	-21.67	0.00	0.00	0.00	0.00
3,000.00	11.99	4.23	2,954.20	455.92	33.69	-22.70	0.00	0.00	0.00	0.00
3,014.10	11.99	4.23	2,968.00	458.84	33.90	-22.84	0.00	0.00	0.00	0.00
Fruitland										
3,100.00	11.99	4.23	3,052.02	476.63	35.22	-23.73	0.00	0.00	0.00	0.00
3,144.96	11.99	4.23	3,096.00	485.94	35.90	-24.19	0.00	0.00	0.00	0.00
Top of Coals										
3,200.00	11.99	4.23	3,149.84	497.33	36.75	-24.76	0.00	0.00	0.00	0.00
3,271.72	11.99	4.23	3,220.00	512.19	37.84	-25.50	0.00	0.00	0.00	0.00
Base of Coals										
3,300.00	11.99	4.23	3,247.67	518.04	38.28	-25.79	0.00	0.00	0.00	0.00
3,400.00	11.99	4.23	3,345.49	538.75	39.81	-26.82	0.00	0.00	0.00	0.00
3,470.04	11.99	4.23	3,414.00	553.26	40.88	-27.54	0.00	0.00	0.00	0.00
Pictured Cliffs										
3,500.00	11.99	4.23	3,443.31	559.46	41.34	-27.85	0.00	0.00	0.00	0.00
3,570.23	11.99	4.23	3,512.00	574.01	42.41	-28.58	0.00	0.00	0.00	0.00
Lewis										
3,600.00	11.99	4.23	3,541.13	580.17	42.87	-28.88	0.00	0.00	0.00	0.00

SDT
Planning Report

Database:	EDM 5000 Multi User Db	Local Co-ordinate Reference:	Well Rosa Unit 510H
Company:	Logos Operating LLC	TVD Reference:	6388+30 @ 6418.00usft (H&P 530)
Project:	Rio Arriba, NM (NAD83)	MD Reference:	6388+30 @ 6418.00usft (H&P 530)
Site:	Rosa Unit 14	North Reference:	True
Well:	Rosa Unit 510H	Survey Calculation Method:	Minimum Curvature
Wellbore:	OH		
Design:	Prelim 2		

Planned Survey									
Measured Depth (usft)	Inclination (°)	Azimuth (°)	Vertical Depth (usft)	+N/-S (usft)	+E/-W (usft)	Vertical Section (usft)	Dogleg Rate (°/100usft)	Build Rate (°/100usft)	Turn Rate (°/100usft)
3,700.00	11.99	4.23	3,638.95	600.88	44.40	-29.91	0.00	0.00	0.00
3,800.00	11.99	4.23	3,736.77	621.59	45.93	-30.94	0.00	0.00	0.00
3,900.00	11.99	4.23	3,834.59	642.30	47.46	-31.98	0.00	0.00	0.00
4,000.00	11.99	4.23	3,932.41	663.01	48.99	-33.01	0.00	0.00	0.00
4,100.00	11.99	4.23	4,030.23	683.72	50.52	-34.04	0.00	0.00	0.00
4,200.00	11.99	4.23	4,128.05	704.43	52.05	-35.07	0.00	0.00	0.00
4,300.00	11.99	4.23	4,225.87	725.14	53.58	-36.10	0.00	0.00	0.00
4,400.00	11.99	4.23	4,323.69	745.85	55.11	-37.13	0.00	0.00	0.00
4,500.00	11.99	4.23	4,421.51	766.56	56.64	-38.16	0.00	0.00	0.00
4,600.00	11.99	4.23	4,519.33	787.27	58.17	-39.19	0.00	0.00	0.00
4,700.00	11.99	4.23	4,617.15	807.98	59.70	-40.22	0.00	0.00	0.00
4,728.47	11.99	4.23	4,645.00	813.88	60.14	-40.52	0.00	0.00	0.00
Chacra									
4,800.00	11.99	4.23	4,714.97	828.69	61.23	-41.25	0.00	0.00	0.00
4,900.00	11.99	4.23	4,812.79	849.40	62.76	-42.29	0.00	0.00	0.00
5,000.00	11.99	4.23	4,910.61	870.11	64.29	-43.32	0.00	0.00	0.00
5,100.00	11.99	4.23	5,008.43	890.82	65.82	-44.35	0.00	0.00	0.00
5,200.00	11.99	4.23	5,106.25	911.53	67.35	-45.38	0.00	0.00	0.00
5,206.90	11.99	4.23	5,113.00	912.96	67.46	-45.45	0.00	0.00	0.00
U/Cliff House									
5,300.00	11.99	4.23	5,204.07	932.24	68.88	-46.41	0.00	0.00	0.00
5,400.00	11.99	4.23	5,301.89	952.95	70.41	-47.44	0.00	0.00	0.00
5,500.00	11.99	4.23	5,399.71	973.66	71.94	-48.47	0.00	0.00	0.00
5,522.79	11.99	4.23	5,422.00	978.38	72.29	-48.71	0.00	0.00	0.00
Cliff House									
5,571.86	11.99	4.23	5,470.00	988.54	73.04	-49.21	0.00	0.00	0.00
Menefee									
5,600.00	11.99	4.23	5,497.53	994.37	73.47	-49.50	0.00	0.00	0.00
5,700.00	11.99	4.23	5,595.35	1,015.08	75.00	-50.53	0.00	0.00	0.00
5,800.00	11.99	4.23	5,693.17	1,035.79	76.53	-51.56	0.00	0.00	0.00
5,811.07	11.99	4.23	5,704.00	1,038.08	76.70	-51.68	0.00	0.00	0.00
Point Lookout									
5,900.00	11.99	4.23	5,790.99	1,056.50	78.06	-52.60	0.00	0.00	0.00
6,000.00	11.99	4.23	5,888.81	1,077.21	79.59	-53.63	0.00	0.00	0.00
6,100.00	11.99	4.23	5,986.63	1,097.91	81.12	-54.66	0.00	0.00	0.00
6,200.00	11.99	4.23	6,084.45	1,118.62	82.65	-55.69	0.00	0.00	0.00
6,300.00	11.99	4.23	6,182.27	1,139.33	84.18	-56.72	0.00	0.00	0.00
6,326.31	11.99	4.23	6,208.00	1,144.78	84.59	-56.99	0.00	0.00	0.00
Mancos									
6,400.00	11.99	4.23	6,280.09	1,160.04	85.71	-57.75	0.00	0.00	0.00
6,497.58	11.99	4.23	6,375.55	1,180.25	87.21	-58.76	0.00	0.00	0.00
Start DLS 9.00 TFO -92.90									
6,500.00	11.98	3.18	6,377.91	1,180.75	87.24	-58.78	9.00	-0.37	-43.32
6,550.00	12.64	342.19	6,426.78	1,191.15	85.85	-57.14	9.00	1.33	-41.99
6,600.00	14.70	325.16	6,475.38	1,201.57	80.55	-51.59	9.00	4.12	-34.06
6,650.00	17.68	312.97	6,523.41	1,211.96	71.36	-42.16	9.00	5.94	-24.38
6,700.00	21.18	304.44	6,570.56	1,222.25	58.35	-28.90	9.00	7.01	-17.06
6,750.00	24.99	298.32	6,616.56	1,232.37	41.60	-11.91	9.00	7.62	-12.24
6,800.00	28.99	293.76	6,661.11	1,242.27	21.20	8.73	9.00	8.00	-9.12
6,850.00	33.11	290.24	6,703.94	1,251.88	-2.72	32.87	9.00	8.24	-7.05
6,900.00	37.31	287.42	6,744.78	1,261.14	-30.00	60.37	9.00	8.40	-5.63
6,950.00	41.56	285.10	6,783.39	1,270.00	-60.49	91.06	9.00	8.51	-4.64
7,000.00	45.85	283.14	6,819.53	1,278.41	-93.99	124.75	9.00	8.58	-3.92

SDT
Planning Report

Database:	EDM 5000 Multi User Db	Local Co-ordinate Reference:	Well Rosa Unit 510H
Company:	Logos Operating LLC	TVD Reference:	6388+30 @ 6418.00usft (H&P 530)
Project:	Rio Arriba, NM (NAD83)	MD Reference:	6388+30 @ 6418.00usft (H&P 530)
Site:	Rosa Unit 14	North Reference:	True
Well:	Rosa Unit 510H	Survey Calculation Method:	Minimum Curvature
Wellbore:	OH		
Design:	Prelim 2		

Planned Survey									
Measured Depth (usft)	Inclination (°)	Azimuth (°)	Vertical Depth (usft)	+N/-S (usft)	+E/-W (usft)	Vertical Section (usft)	Dogleg Rate (°/100usft)	Build Rate (°/100usft)	Turn Rate (°/100usft)
7,005.00	46.28	282.96	6,823.00	1,279.22	-97.49	128.27	9.00	8.62	-3.60
Black Top									
7,050.00	50.17	281.45	6,852.97	1,286.30	-130.29	161.23	9.00	8.64	-3.36
7,100.00	54.52	279.96	6,883.51	1,293.63	-169.18	200.28	9.00	8.69	-2.98
7,150.00	58.87	278.62	6,910.96	1,300.36	-210.41	241.67	9.00	8.72	-2.68
7,200.00	63.25	277.40	6,935.15	1,306.45	-253.73	285.12	9.00	8.74	-2.44
7,250.00	67.63	276.27	6,955.93	1,311.85	-298.87	330.38	9.00	8.76	-2.26
7,300.00	72.02	275.21	6,973.17	1,316.54	-345.55	377.16	9.00	8.78	-2.12
7,350.00	76.41	274.20	6,986.77	1,320.48	-393.49	425.18	9.00	8.79	-2.02
7,400.00	80.81	273.23	6,996.65	1,323.66	-442.39	474.14	9.00	8.80	-1.94
7,450.00	85.21	272.28	7,002.73	1,326.04	-491.95	523.74	9.00	8.80	-1.90
7,500.00	89.61	271.35	7,004.99	1,327.62	-541.86	573.68	9.00	8.80	-1.87
7,506.29	90.17	271.23	7,005.00	1,327.76	-548.15	579.97	9.00	8.80	-1.87
Start 9500.00 hold at 7506.29 MD									
7,600.00	90.17	271.23	7,004.73	1,329.78	-641.84	673.68	0.00	0.00	0.00
7,700.00	90.17	271.23	7,004.44	1,331.92	-741.82	773.68	0.00	0.00	0.00
7,800.00	90.17	271.23	7,004.15	1,334.07	-841.79	873.68	0.00	0.00	0.00
7,900.00	90.17	271.23	7,003.86	1,336.22	-941.77	973.68	0.00	0.00	0.00
8,000.00	90.17	271.23	7,003.57	1,338.36	-1,041.75	1,073.68	0.00	0.00	0.00
8,100.00	90.17	271.23	7,003.29	1,340.51	-1,141.72	1,173.67	0.00	0.00	0.00
8,200.00	90.17	271.23	7,003.00	1,342.66	-1,241.70	1,273.67	0.00	0.00	0.00
8,300.00	90.17	271.23	7,002.71	1,344.80	-1,341.68	1,373.67	0.00	0.00	0.00
8,400.00	90.17	271.23	7,002.42	1,346.95	-1,441.65	1,473.67	0.00	0.00	0.00
8,500.00	90.17	271.23	7,002.13	1,349.10	-1,541.63	1,573.67	0.00	0.00	0.00
8,600.00	90.17	271.23	7,001.84	1,351.24	-1,641.60	1,673.67	0.00	0.00	0.00
8,700.00	90.17	271.23	7,001.55	1,353.39	-1,741.58	1,773.67	0.00	0.00	0.00
8,800.00	90.17	271.23	7,001.26	1,355.54	-1,841.56	1,873.67	0.00	0.00	0.00
8,900.00	90.17	271.23	7,000.98	1,357.68	-1,941.53	1,973.67	0.00	0.00	0.00
9,000.00	90.17	271.23	7,000.69	1,359.83	-2,041.51	2,073.67	0.00	0.00	0.00
9,100.00	90.17	271.23	7,000.40	1,361.97	-2,141.49	2,173.67	0.00	0.00	0.00
9,200.00	90.17	271.23	7,000.11	1,364.12	-2,241.46	2,273.67	0.00	0.00	0.00
9,300.00	90.17	271.23	6,999.82	1,366.27	-2,341.44	2,373.67	0.00	0.00	0.00
9,400.00	90.17	271.23	6,999.53	1,368.41	-2,441.42	2,473.67	0.00	0.00	0.00
9,500.00	90.17	271.23	6,999.24	1,370.56	-2,541.39	2,573.66	0.00	0.00	0.00
9,600.00	90.17	271.23	6,998.95	1,372.71	-2,641.37	2,673.66	0.00	0.00	0.00
9,700.00	90.17	271.23	6,998.67	1,374.85	-2,741.35	2,773.66	0.00	0.00	0.00
9,800.00	90.17	271.23	6,998.38	1,377.00	-2,841.32	2,873.66	0.00	0.00	0.00
9,900.00	90.17	271.23	6,998.09	1,379.15	-2,941.30	2,973.66	0.00	0.00	0.00
10,000.00	90.17	271.23	6,997.80	1,381.29	-3,041.28	3,073.66	0.00	0.00	0.00
10,100.00	90.17	271.23	6,997.51	1,383.44	-3,141.25	3,173.66	0.00	0.00	0.00
10,200.00	90.17	271.23	6,997.22	1,385.59	-3,241.23	3,273.66	0.00	0.00	0.00
10,300.00	90.17	271.23	6,996.93	1,387.73	-3,341.21	3,373.66	0.00	0.00	0.00
10,400.00	90.17	271.23	6,996.64	1,389.88	-3,441.18	3,473.66	0.00	0.00	0.00
10,500.00	90.17	271.23	6,996.36	1,392.03	-3,541.16	3,573.66	0.00	0.00	0.00
10,600.00	90.17	271.23	6,996.07	1,394.17	-3,641.14	3,673.66	0.00	0.00	0.00
10,700.00	90.17	271.23	6,995.78	1,396.32	-3,741.11	3,773.66	0.00	0.00	0.00
10,800.00	90.17	271.23	6,995.49	1,398.47	-3,841.09	3,873.65	0.00	0.00	0.00
10,900.00	90.17	271.23	6,995.20	1,400.61	-3,941.07	3,973.65	0.00	0.00	0.00
11,000.00	90.17	271.23	6,994.91	1,402.76	-4,041.04	4,073.65	0.00	0.00	0.00
11,100.00	90.17	271.23	6,994.62	1,404.91	-4,141.02	4,173.65	0.00	0.00	0.00
11,200.00	90.17	271.23	6,994.33	1,407.05	-4,241.00	4,273.65	0.00	0.00	0.00
11,300.00	90.17	271.23	6,994.05	1,409.20	-4,340.97	4,373.65	0.00	0.00	0.00
11,400.00	90.17	271.23	6,993.76	1,411.35	-4,440.95	4,473.65	0.00	0.00	0.00
11,500.00	90.17	271.23	6,993.47	1,413.49	-4,540.92	4,573.65	0.00	0.00	0.00

SDT
Planning Report

Database:	EDM 5000 Multi User Db	Local Co-ordinate Reference:	Well Rosa Unit 510H
Company:	Logos Operating LLC	TVD Reference:	6388+30 @ 6418.00usft (H&P 530)
Project:	Rio Arriba, NM (NAD83)	MD Reference:	6388+30 @ 6418.00usft (H&P 530)
Site:	Rosa Unit 14	North Reference:	True
Well:	Rosa Unit 510H	Survey Calculation Method:	Minimum Curvature
Wellbore:	OH		
Design:	Prelim 2		

Planned Survey										
Measured Depth (usft)	Inclination (°)	Azimuth (°)	Vertical Depth (usft)	+N/-S (usft)	+E/-W (usft)	Vertical Section (usft)	Dogleg Rate (°/100usft)	Build Rate (°/100usft)	Turn Rate (°/100usft)	
11,600.00	90.17	271.23	6,993.18	1,415.64	-4,640.90	4,673.65	0.00	0.00	0.00	
11,700.00	90.17	271.23	6,992.89	1,417.79	-4,740.88	4,773.65	0.00	0.00	0.00	
11,800.00	90.17	271.23	6,992.60	1,419.93	-4,840.85	4,873.65	0.00	0.00	0.00	
11,900.00	90.17	271.23	6,992.31	1,422.08	-4,940.83	4,973.65	0.00	0.00	0.00	
12,000.00	90.17	271.23	6,992.02	1,424.23	-5,040.81	5,073.65	0.00	0.00	0.00	
12,100.00	90.17	271.23	6,991.74	1,426.37	-5,140.78	5,173.64	0.00	0.00	0.00	
12,200.00	90.17	271.23	6,991.45	1,428.52	-5,240.76	5,273.64	0.00	0.00	0.00	
12,300.00	90.17	271.23	6,991.16	1,430.67	-5,340.74	5,373.64	0.00	0.00	0.00	
12,400.00	90.17	271.23	6,990.87	1,432.81	-5,440.71	5,473.64	0.00	0.00	0.00	
12,500.00	90.17	271.23	6,990.58	1,434.96	-5,540.69	5,573.64	0.00	0.00	0.00	
12,600.00	90.17	271.23	6,990.29	1,437.11	-5,640.67	5,673.64	0.00	0.00	0.00	
12,700.00	90.17	271.23	6,990.00	1,439.25	-5,740.64	5,773.64	0.00	0.00	0.00	
12,800.00	90.17	271.23	6,989.71	1,441.40	-5,840.62	5,873.64	0.00	0.00	0.00	
12,900.00	90.17	271.23	6,989.43	1,443.54	-5,940.60	5,973.64	0.00	0.00	0.00	
13,000.00	90.17	271.23	6,989.14	1,445.69	-6,040.57	6,073.64	0.00	0.00	0.00	
13,100.00	90.17	271.23	6,988.85	1,447.84	-6,140.55	6,173.64	0.00	0.00	0.00	
13,200.00	90.17	271.23	6,988.56	1,449.98	-6,240.53	6,273.64	0.00	0.00	0.00	
13,300.00	90.17	271.23	6,988.27	1,452.13	-6,340.50	6,373.64	0.00	0.00	0.00	
13,400.00	90.17	271.23	6,987.98	1,454.28	-6,440.48	6,473.63	0.00	0.00	0.00	
13,500.00	90.17	271.23	6,987.69	1,456.42	-6,540.46	6,573.63	0.00	0.00	0.00	
13,600.00	90.17	271.23	6,987.40	1,458.57	-6,640.43	6,673.63	0.00	0.00	0.00	
13,700.00	90.17	271.23	6,987.12	1,460.72	-6,740.41	6,773.63	0.00	0.00	0.00	
13,800.00	90.17	271.23	6,986.83	1,462.86	-6,840.39	6,873.63	0.00	0.00	0.00	
13,900.00	90.17	271.23	6,986.54	1,465.01	-6,940.36	6,973.63	0.00	0.00	0.00	
14,000.00	90.17	271.23	6,986.25	1,467.16	-7,040.34	7,073.63	0.00	0.00	0.00	
14,100.00	90.17	271.23	6,985.96	1,469.30	-7,140.31	7,173.63	0.00	0.00	0.00	
14,200.00	90.17	271.23	6,985.67	1,471.45	-7,240.29	7,273.63	0.00	0.00	0.00	
14,300.00	90.17	271.23	6,985.38	1,473.60	-7,340.27	7,373.63	0.00	0.00	0.00	
14,400.00	90.17	271.23	6,985.09	1,475.74	-7,440.24	7,473.63	0.00	0.00	0.00	
14,500.00	90.17	271.23	6,984.81	1,477.89	-7,540.22	7,573.63	0.00	0.00	0.00	
14,600.00	90.17	271.23	6,984.52	1,480.04	-7,640.20	7,673.63	0.00	0.00	0.00	
14,700.00	90.17	271.23	6,984.23	1,482.18	-7,740.17	7,773.62	0.00	0.00	0.00	
14,800.00	90.17	271.23	6,983.94	1,484.33	-7,840.15	7,873.62	0.00	0.00	0.00	
14,900.00	90.17	271.23	6,983.65	1,486.48	-7,940.13	7,973.62	0.00	0.00	0.00	
15,000.00	90.17	271.23	6,983.36	1,488.62	-8,040.10	8,073.62	0.00	0.00	0.00	
15,100.00	90.17	271.23	6,983.07	1,490.77	-8,140.08	8,173.62	0.00	0.00	0.00	
15,200.00	90.17	271.23	6,982.78	1,492.92	-8,240.06	8,273.62	0.00	0.00	0.00	
15,300.00	90.17	271.23	6,982.50	1,495.06	-8,340.03	8,373.62	0.00	0.00	0.00	
15,400.00	90.17	271.23	6,982.21	1,497.21	-8,440.01	8,473.62	0.00	0.00	0.00	
15,500.00	90.17	271.23	6,981.92	1,499.36	-8,539.99	8,573.62	0.00	0.00	0.00	
15,600.00	90.17	271.23	6,981.63	1,501.50	-8,639.96	8,673.62	0.00	0.00	0.00	
15,700.00	90.17	271.23	6,981.34	1,503.65	-8,739.94	8,773.62	0.00	0.00	0.00	
15,800.00	90.17	271.23	6,981.05	1,505.80	-8,839.92	8,873.62	0.00	0.00	0.00	
15,900.00	90.17	271.23	6,980.76	1,507.94	-8,939.89	8,973.62	0.00	0.00	0.00	
16,000.00	90.17	271.23	6,980.47	1,510.09	-9,039.87	9,073.62	0.00	0.00	0.00	
16,100.00	90.17	271.23	6,980.19	1,512.24	-9,139.85	9,173.61	0.00	0.00	0.00	
16,200.00	90.17	271.23	6,979.90	1,514.38	-9,239.82	9,273.61	0.00	0.00	0.00	
16,300.00	90.17	271.23	6,979.61	1,516.53	-9,339.80	9,373.61	0.00	0.00	0.00	
16,400.00	90.17	271.23	6,979.32	1,518.68	-9,439.78	9,473.61	0.00	0.00	0.00	
16,500.00	90.17	271.23	6,979.03	1,520.82	-9,539.75	9,573.61	0.00	0.00	0.00	
16,600.00	90.17	271.23	6,978.74	1,522.97	-9,639.73	9,673.61	0.00	0.00	0.00	
16,700.00	90.17	271.23	6,978.45	1,525.11	-9,739.71	9,773.61	0.00	0.00	0.00	
16,800.00	90.17	271.23	6,978.16	1,527.26	-9,839.68	9,873.61	0.00	0.00	0.00	
16,900.00	90.17	271.23	6,977.88	1,529.41	-9,939.66	9,973.61	0.00	0.00	0.00	

SDT Planning Report

Database:	EDM 5000 Multi User Db	Local Co-ordinate Reference:	Well Rosa Unit 510H
Company:	Logos Operating LLC	TVD Reference:	6388+30 @ 6418.00usft (H&P 530)
Project:	Rio Arriba, NM (NAD83)	MD Reference:	6388+30 @ 6418.00usft (H&P 530)
Site:	Rosa Unit 14	North Reference:	True
Well:	Rosa Unit 510H	Survey Calculation Method:	Minimum Curvature
Wellbore:	OH		
Design:	Prelim 2		

Planned Survey									
Measured Depth (usft)	Inclination (°)	Azimuth (°)	Vertical Depth (usft)	+N/-S (usft)	+E/-W (usft)	Vertical Section (usft)	Dogleg Rate (°/100usft)	Build Rate (°/100usft)	Turn Rate (°/100usft)
17,006.29	90.17	271.23	6,977.57	1,531.69	-10,045.93	10,079.90	0.00	0.00	0.00
Start DLS 2.00 TFO 89.34									
17,024.88	90.17	271.60	6,977.51	1,532.15	-10,064.51	10,098.49	2.00	0.02	2.00
Start 6520.61 hold at 17024.88 MD									
17,100.00	90.17	271.60	6,977.29	1,534.25	-10,139.60	10,173.61	0.00	0.00	0.00
17,200.00	90.17	271.60	6,977.00	1,537.04	-10,239.56	10,273.61	0.00	0.00	0.00
17,300.00	90.17	271.60	6,976.70	1,539.84	-10,339.52	10,373.60	0.00	0.00	0.00
17,400.00	90.17	271.60	6,976.40	1,542.63	-10,439.48	10,473.60	0.00	0.00	0.00
17,500.00	90.17	271.60	6,976.11	1,545.43	-10,539.44	10,573.60	0.00	0.00	0.00
17,600.00	90.17	271.60	6,975.81	1,548.22	-10,639.40	10,673.60	0.00	0.00	0.00
17,700.00	90.17	271.60	6,975.51	1,551.02	-10,739.36	10,773.60	0.00	0.00	0.00
17,800.00	90.17	271.60	6,975.22	1,553.81	-10,839.32	10,873.60	0.00	0.00	0.00
17,900.00	90.17	271.60	6,974.92	1,556.61	-10,939.28	10,973.60	0.00	0.00	0.00
18,000.00	90.17	271.60	6,974.63	1,559.41	-11,039.24	11,073.60	0.00	0.00	0.00
18,100.00	90.17	271.60	6,974.33	1,562.20	-11,139.20	11,173.59	0.00	0.00	0.00
18,200.00	90.17	271.60	6,974.03	1,565.00	-11,239.16	11,273.59	0.00	0.00	0.00
18,300.00	90.17	271.60	6,973.74	1,567.79	-11,339.12	11,373.59	0.00	0.00	0.00
18,400.00	90.17	271.60	6,973.44	1,570.59	-11,439.08	11,473.59	0.00	0.00	0.00
18,500.00	90.17	271.60	6,973.14	1,573.38	-11,539.04	11,573.59	0.00	0.00	0.00
18,600.00	90.17	271.60	6,972.85	1,576.18	-11,639.01	11,673.59	0.00	0.00	0.00
18,700.00	90.17	271.60	6,972.55	1,578.97	-11,738.97	11,773.59	0.00	0.00	0.00
18,800.00	90.17	271.60	6,972.26	1,581.77	-11,838.93	11,873.59	0.00	0.00	0.00
18,900.00	90.17	271.60	6,971.96	1,584.56	-11,938.89	11,973.59	0.00	0.00	0.00
19,000.00	90.17	271.60	6,971.66	1,587.36	-12,038.85	12,073.58	0.00	0.00	0.00
19,100.00	90.17	271.60	6,971.37	1,590.15	-12,138.81	12,173.58	0.00	0.00	0.00
19,200.00	90.17	271.60	6,971.07	1,592.95	-12,238.77	12,273.58	0.00	0.00	0.00
19,300.00	90.17	271.60	6,970.78	1,595.74	-12,338.73	12,373.58	0.00	0.00	0.00
19,400.00	90.17	271.60	6,970.48	1,598.54	-12,438.69	12,473.58	0.00	0.00	0.00
19,500.00	90.17	271.60	6,970.18	1,601.33	-12,538.65	12,573.58	0.00	0.00	0.00
19,600.00	90.17	271.60	6,969.89	1,604.13	-12,638.61	12,673.58	0.00	0.00	0.00
19,700.00	90.17	271.60	6,969.59	1,606.92	-12,738.57	12,773.58	0.00	0.00	0.00
19,800.00	90.17	271.60	6,969.29	1,609.72	-12,838.53	12,873.57	0.00	0.00	0.00
19,900.00	90.17	271.60	6,969.00	1,612.51	-12,938.49	12,973.57	0.00	0.00	0.00
20,000.00	90.17	271.60	6,968.70	1,615.31	-13,038.45	13,073.57	0.00	0.00	0.00
20,100.00	90.17	271.60	6,968.41	1,618.10	-13,138.41	13,173.57	0.00	0.00	0.00
20,200.00	90.17	271.60	6,968.11	1,620.90	-13,238.37	13,273.57	0.00	0.00	0.00
20,300.00	90.17	271.60	6,967.81	1,623.69	-13,338.33	13,373.57	0.00	0.00	0.00
20,400.00	90.17	271.60	6,967.52	1,626.49	-13,438.29	13,473.57	0.00	0.00	0.00
20,500.00	90.17	271.60	6,967.22	1,629.28	-13,538.25	13,573.57	0.00	0.00	0.00
20,600.00	90.17	271.60	6,966.92	1,632.08	-13,638.21	13,673.56	0.00	0.00	0.00
20,700.00	90.17	271.60	6,966.63	1,634.87	-13,738.18	13,773.56	0.00	0.00	0.00
20,800.00	90.17	271.60	6,966.33	1,637.67	-13,838.14	13,873.56	0.00	0.00	0.00
20,900.00	90.17	271.60	6,966.04	1,640.46	-13,938.10	13,973.56	0.00	0.00	0.00
21,000.00	90.17	271.60	6,965.74	1,643.26	-14,038.06	14,073.56	0.00	0.00	0.00
21,100.00	90.17	271.60	6,965.44	1,646.05	-14,138.02	14,173.56	0.00	0.00	0.00
21,200.00	90.17	271.60	6,965.15	1,648.85	-14,237.98	14,273.56	0.00	0.00	0.00
21,300.00	90.17	271.60	6,964.85	1,651.65	-14,337.94	14,373.56	0.00	0.00	0.00
21,400.00	90.17	271.60	6,964.56	1,654.44	-14,437.90	14,473.56	0.00	0.00	0.00
21,500.00	90.17	271.60	6,964.26	1,657.24	-14,537.86	14,573.55	0.00	0.00	0.00
21,600.00	90.17	271.60	6,963.96	1,660.03	-14,637.82	14,673.55	0.00	0.00	0.00
21,700.00	90.17	271.60	6,963.67	1,662.83	-14,737.78	14,773.55	0.00	0.00	0.00
21,800.00	90.17	271.60	6,963.37	1,665.62	-14,837.74	14,873.55	0.00	0.00	0.00
21,900.00	90.17	271.60	6,963.07	1,668.42	-14,937.70	14,973.55	0.00	0.00	0.00
22,000.00	90.17	271.60	6,962.78	1,671.21	-15,037.66	15,073.55	0.00	0.00	0.00

SDT
Planning Report

Database:	EDM 5000 Multi User Db	Local Co-ordinate Reference:	Well Rosa Unit 510H
Company:	Logos Operating LLC	TVD Reference:	6388+30 @ 6418.00usft (H&P 530)
Project:	Rio Arriba, NM (NAD83)	MD Reference:	6388+30 @ 6418.00usft (H&P 530)
Site:	Rosa Unit 14	North Reference:	True
Well:	Rosa Unit 510H	Survey Calculation Method:	Minimum Curvature
Wellbore:	OH		
Design:	Prelim 2		

Planned Survey										
Measured Depth (usft)	Inclination (°)	Azimuth (°)	Vertical Depth (usft)	+N/-S (usft)	+E/-W (usft)	Vertical Section (usft)	Dogleg Rate (°/100usft)	Build Rate (°/100usft)	Turn Rate (°/100usft)	
22,100.00	90.17	271.60	6,962.48	1,674.01	-15,137.62	15,173.55	0.00	0.00	0.00	
22,200.00	90.17	271.60	6,962.19	1,676.80	-15,237.58	15,273.55	0.00	0.00	0.00	
22,300.00	90.17	271.60	6,961.89	1,679.60	-15,337.54	15,373.54	0.00	0.00	0.00	
22,400.00	90.17	271.60	6,961.59	1,682.39	-15,437.50	15,473.54	0.00	0.00	0.00	
22,500.00	90.17	271.60	6,961.30	1,685.19	-15,537.46	15,573.54	0.00	0.00	0.00	
22,600.00	90.17	271.60	6,961.00	1,687.98	-15,637.42	15,673.54	0.00	0.00	0.00	
22,700.00	90.17	271.60	6,960.70	1,690.78	-15,737.39	15,773.54	0.00	0.00	0.00	
22,800.00	90.17	271.60	6,960.41	1,693.57	-15,837.35	15,873.54	0.00	0.00	0.00	
22,900.00	90.17	271.60	6,960.11	1,696.37	-15,937.31	15,973.54	0.00	0.00	0.00	
23,000.00	90.17	271.60	6,959.82	1,699.16	-16,037.27	16,073.54	0.00	0.00	0.00	
23,100.00	90.17	271.60	6,959.52	1,701.96	-16,137.23	16,173.54	0.00	0.00	0.00	
23,200.00	90.17	271.60	6,959.22	1,704.75	-16,237.19	16,273.53	0.00	0.00	0.00	
23,300.00	90.17	271.60	6,958.93	1,707.55	-16,337.15	16,373.53	0.00	0.00	0.00	
23,400.00	90.17	271.60	6,958.63	1,710.34	-16,437.11	16,473.53	0.00	0.00	0.00	
23,500.00	90.17	271.60	6,958.33	1,713.14	-16,537.07	16,573.53	0.00	0.00	0.00	
23,545.49	90.17	271.60	6,958.20	1,714.41	-16,582.54	16,619.02	0.00	0.00	0.00	
Start 70.00 hold at 23545.49 MD										
23,600.00	90.17	271.60	6,958.04	1,715.93	-16,637.03	16,673.53	0.00	0.00	0.00	
23,615.49	90.17	271.60	6,957.99	1,716.37	-16,652.51	16,689.02	0.00	0.00	0.00	
TD at 23615.49										

Design Targets										
Target Name - hit/miss target - Shape	Dip Angle (°)	Dip Dir. (°)	TVD (usft)	+N/-S (usft)	+E/-W (usft)	Northing (usft)	Easting (usft)	Latitude	Longitude	
RU 510H SHL - plan hits target center - Point	0.00	0.00	0.00	0.00	0.00	2,150,205.28	2,838,837.53	36.908347	-107.437430	
RU 510H KOP - plan hits target center - Point	0.00	0.00	6,375.55	1,180.25	87.21	2,151,385.89	2,838,919.84	36.911589	-107.437132	
RU 510H PBHL - plan hits target center - Point	0.00	0.00	6,957.99	1,716.37	-16,652.51	2,151,852.53	2,822,178.04	36.913048	-107.494392	
RU 510H FPP - plan hits target center - Point	0.00	0.00	6,958.20	1,714.41	-16,582.54	2,151,850.86	2,822,248.02	36.913043	-107.494153	
RU 510H POE - plan hits target center - Point	0.00	0.00	7,005.00	1,327.76	-548.15	2,151,530.76	2,838,283.87	36.911994	-107.439305	

SDT
Planning Report

Database:	EDM 5000 Multi User Db	Local Co-ordinate Reference:	Well Rosa Unit 510H
Company:	Logos Operating LLC	TVD Reference:	6388+30 @ 6418.00usft (H&P 530)
Project:	Rio Arriba, NM (NAD83)	MD Reference:	6388+30 @ 6418.00usft (H&P 530)
Site:	Rosa Unit 14	North Reference:	True
Well:	Rosa Unit 510H	Survey Calculation Method:	Minimum Curvature
Wellbore:	OH		
Design:	Prelim 2		

Formations						
Measured Depth (usft)	Vertical Depth (usft)	Name	Lithology	Dip (°)	Dip Direction (°)	
2,472.29	2,438.00	Ojo Alamo				
2,617.46	2,580.00	Kirtland				
3,014.10	2,968.00	Fruitland				
3,144.96	3,096.00	Top of Coals				
3,271.72	3,220.00	Base of Coals				
3,470.04	3,414.00	Pictured Cliffs				
3,570.23	3,512.00	Lewis				
4,728.47	4,645.00	Chacra				
5,206.90	5,113.00	U/Cliff House				
5,522.79	5,422.00	Cliff House				
5,571.86	5,470.00	Menefee				
5,811.07	5,704.00	Point Lookout				
6,326.31	6,208.00	Mancos				
7,005.00	6,823.00	Black Top				

Plan Annotations					
Measured Depth (usft)	Vertical Depth (usft)	Local Coordinates		Comment	
		+N/-S (usft)	+E/-W (usft)		
500.00	500.00	0.00	0.00	Start Build 2.00	
1,099.27	1,094.91	62.28	4.60	Start 5398.32 hold at 1099.27 MD	
6,497.58	6,375.55	1,180.25	87.21	Start DLS 9.00 TFO -92.90	
7,506.29	7,005.00	1,327.76	-548.15	Start 9500.00 hold at 7506.29 MD	
17,006.29	6,977.57	1,531.69	-10,045.93	Start DLS 2.00 TFO 89.34	
17,024.88	6,977.51	1,532.15	-10,064.51	Start 6520.61 hold at 17024.88 MD	
23,545.49	6,958.20	1,714.41	-16,582.54	Start 70.00 hold at 23545.49 MD	
23,615.49	6,957.99	1,716.37	-16,652.51	TD at 23615.49	

Sante Fe Main Office
Phone: (505) 476-3441

General Information
Phone: (505) 629-6116

Online Phone Directory
<https://www.emnrd.nm.gov/ocd/contact-us>

State of New Mexico
Energy, Minerals and Natural Resources
Oil Conservation Division
1220 S. St Francis Dr.
Santa Fe, NM 87505

ACKNOWLEDGMENTS

Action 536998

ACKNOWLEDGMENTS

Operator: LOGOS OPERATING, LLC 2010 Afton Place Farmington, NM 87401	OGRID: 289408
	Action Number: 536998
	Action Type: [C-101] BLM - Federal/Indian Land Lease (Form 3160-3)

ACKNOWLEDGMENTS

<input checked="" type="checkbox"/>	I hereby certify that no additives containing PFAS chemicals will be added to the completion or recompletion of this well.
-------------------------------------	--

Sante Fe Main Office
Phone: (505) 476-3441

General Information
Phone: (505) 629-6116

Online Phone Directory
<https://www.emnrd.nm.gov/oecd/contact-us>

State of New Mexico
Energy, Minerals and Natural Resources
Oil Conservation Division
1220 S. St Francis Dr.
Santa Fe, NM 87505

CONDITIONS

Action 536998

CONDITIONS

Operator: LOGOS OPERATING, LLC 2010 Afton Place Farmington, NM 87401	OGRID: 289408
	Action Number: 536998
	Action Type: [C-101] BLM - Federal/Indian Land Lease (Form 3160-3)

CONDITIONS

Created By	Condition	Condition Date
etta.trujillo	Cement is required to circulate on both surface and intermediate1 strings of casing.	12/22/2025
etta.trujillo	If cement does not circulate on any string, a Cement Bond Log (CBL) is required for that string of casing.	12/22/2025
ward.rikala	Notify the OCD 24 hours prior to casing & cement.	2/13/2026
ward.rikala	File As Drilled C-102 and a directional Survey with C-104 completion packet.	2/13/2026
ward.rikala	Once the well is spud, to prevent ground water contamination through whole or partial conduits from the surface, the operator shall drill without interruption through the fresh water zone or zones and shall immediately set in cement the water protection string.	2/13/2026
ward.rikala	Oil base muds are not to be used until fresh water zones are cased and cemented providing isolation from the oil or diesel. This includes synthetic oils. Oil based mud, drilling fluids and solids must be contained in a steel closed loop system.	2/13/2026
ward.rikala	If the method of isolation was not by circulation, a CBL must be performed; if strata isolation is not achieved, then remediation will be required before further operations.	2/13/2026