



U.S. Department of the Interior  
Bureau of Land Management

## Application for Permit to Drill

### APD Package Report

Date Printed:

APD ID:	Well Status:
APD Received Date:	Well Name:
Operator:	Well Number:

#### APD Package Report Contents

- Form 3160-3
- Operator Certification Report
- Application Report
- Application Attachments
  - Well Plat: 1 file(s)
- Drilling Plan Report
- Drilling Plan Attachments
  - Blowout Prevention Choke Diagram Attachment: 2 file(s)
  - Blowout Prevention BOP Diagram Attachment: 2 file(s)
  - Casing Design Assumptions and Worksheet(s): 5 file(s)
  - Hydrogen sulfide drilling operations plan: 1 file(s)
  - Proposed horizontal/directional/multi-lateral plan submission: 2 file(s)
  - Other Facets: 3 file(s)
  - Other Variances: 2 file(s)
- SUPO Report
- SUPO Attachments
  - Existing Road Map: 1 file(s)
  - Attach Well map: 1 file(s)
  - Production Facilities map: 1 file(s)
  - Water source and transportation map: 1 file(s)
  - Construction Materials source location attachment: 1 file(s)
  - Well Site Layout Diagram: 1 file(s)
  - Recontouring attachment: 1 file(s)
- PWD Report
- PWD Attachments
  - None
- Bond Report

- Bond Attachments
  - None

Form 3160-3  
(October 2024)

FORM APPROVED  
OMB No. 1004-0137  
Expires: October 31, 2027

UNITED STATES  
DEPARTMENT OF THE INTERIOR  
BUREAU OF LAND MANAGEMENT  
**APPLICATION FOR PERMIT TO DRILL OR REENTER**

1a. Type of work: <input type="checkbox"/> DRILL <input type="checkbox"/> REENTER		5. Lease Serial No.
1b. Type of Well: <input type="checkbox"/> Oil Well <input type="checkbox"/> Gas Well <input type="checkbox"/> Other		6. If Indian, Allottee or Tribe Name
1c. Type of Completion: <input type="checkbox"/> Hydraulic Fracturing <input type="checkbox"/> Single Zone <input type="checkbox"/> Multiple Zone		7. If Unit or CA Agreement, Name and No.
2. Name of Operator		8. Lease Name and Well No.
3a. Address		9. API Well No. <b>30-015-57871</b>
3b. Phone No. (include area code)		10. Field and Pool, or Exploratory
4. Location of Well (Report location clearly and in accordance with any State requirements. *) At surface At proposed prod. zone		11. Sec., T. R. M. or Blk. and Survey or Area
14. Distance in miles and direction from nearest town or post office*		12. County or Parish
		13. State
15. Distance from proposed* location to nearest property or lease line, ft. (Also to nearest drig. unit line, if any)	16. No of acres in lease	17. Spacing Unit dedicated to this well
18. Distance from proposed location* to nearest well, drilling, completed, applied for, on this lease, ft.	19. Proposed Depth	20. BLM/BIA Bond No. in file
21. Elevations (Show whether DF, KDB, RT, GL, etc.)	22. Approximate date work will start*	23. Estimated duration
24. Attachments		

The following, completed in accordance with the requirements of Onshore Oil and Gas Order No. 1, and the Hydraulic Fracturing rule per 43 CFR 3162.3-3 (as applicable)

- |                                                                                                                                                                                                                                                                                         |                                                                                                                                                                                                                                                                                     |
|-----------------------------------------------------------------------------------------------------------------------------------------------------------------------------------------------------------------------------------------------------------------------------------------|-------------------------------------------------------------------------------------------------------------------------------------------------------------------------------------------------------------------------------------------------------------------------------------|
| <ul style="list-style-type: none"> <li>1. Well plat certified by a registered surveyor.</li> <li>2. A Drilling Plan.</li> <li>3. A Surface Use Plan (if the location is on National Forest System Lands, the SUPO must be filed with the appropriate Forest Service Office).</li> </ul> | <ul style="list-style-type: none"> <li>4. Bond to cover the operations unless covered by an existing bond on file (see Item 20 above).</li> <li>5. Operator certification.</li> <li>6. Such other site specific information and/or plans as may be requested by the BLM.</li> </ul> |
|-----------------------------------------------------------------------------------------------------------------------------------------------------------------------------------------------------------------------------------------------------------------------------------------|-------------------------------------------------------------------------------------------------------------------------------------------------------------------------------------------------------------------------------------------------------------------------------------|

25. Signature	Name (Printed/Typed)	Date
Title		
Approved by (Signature)	Name (Printed/Typed)	Date
Title		Office

Application approval does not warrant or certify that the applicant holds legal or equitable title to those rights in the subject lease which would entitle the applicant to conduct operations thereon.  
Conditions of approval, if any, are attached.

Title 18 U.S.C. Section 1001 and Title 43 U.S.C. Section 1212, make it a crime for any person knowingly and willfully to make to any department or agency of the United States any false, fictitious or fraudulent statements or representations as to any matter within its jurisdiction.



(Continued on page 2)

\*(Instructions on page 2)

## INSTRUCTIONS

GENERAL: This form is designed for submitting proposals to perform certain well operations, as indicated on Federal and Indian lands and leases for action by appropriate Federal agencies, pursuant to applicable Federal laws and regulations. Any necessary special instructions concerning the use of this form and the number of copies to be submitted, particularly with regard to local, area, or regional procedures and practices, either are shown below or will be issued by, or may be obtained from local Federal offices.

ITEM I: If the proposal is to redrill to the same reservoir at a different subsurface location or to a new reservoir, use this form with appropriate notations. Consult applicable Federal regulations concerning subsequent work proposals or reports on the well.

ITEM 4: Locations on Federal or Indian land should be described in accordance with Federal requirements. Consult local Federal offices for specific instructions.

ITEM 14: Needed only when location of well cannot readily be found by road from the land or lease description. A plat, or plats, separate or on the reverse side, showing the roads to, and the surveyed location of, the well, and any other required information, should be furnished when required by Federal agency offices.

ITEMS 15 AND 18: If well is to be, or has been directionally drilled, give distances for subsurface location of hole in any present or objective productive zone.

ITEM 22: Consult applicable Federal regulations, or appropriate officials, concerning approval of the proposal before operations are started.

ITEM 24: If the proposal will involve hydraulic fracturing operations, you must comply with 43 CFR 3162.3-3, including providing information about the protection of usable water. Operators should provide the best available information about all formations containing water and their depths. This information could include data and interpretation of resistivity logs run on nearby wells. Information may also be obtained from state or tribal regulatory agencies and from local BLM offices.

## NOTICES

The Privacy Act of 1974 and regulation in 43 CFR 2.48( d) provide that you be furnished the following information in connection with information required by this application.

AUTHORITY: 30 U.S.C. 181 et seq., 25 U.S.C. 396; 43 CFR 3160

PRINCIPAL PURPOSES: The information will be used to: (1) process and evaluate your application for a permit to drill a new oil, gas, or service well or to reenter a plugged and abandoned well; and (2) document, for administrative use, information for the management, disposal and use of National Resource Lands and resources including (a) analyzing your proposal to discover and extract the Federal or Indian resources encountered; (b) reviewing procedures and equipment and the projected impact on the land involved; and (c) evaluating the effects of the proposed operation on the surface and subsurface water and other environmental impacts.

ROUTINE USE: Information from the record and/or the record will be transferred to appropriate Federal, State, and local or foreign agencies, when relevant to civil, criminal or regulatory investigations or prosecution, in connection with congressional inquiries and for regulatory responsibilities.

EFFECT OF NOT PROVIDING INFORMATION: Filing of this application and disclosure of the information is mandatory only if you elect to initiate a drilling or reentry operation on an oil and gas lease.

The Paperwork Reduction Act of 1995 requires us to inform you that:

The BLM connects this information to a new evaluation of the technical, safety, and environmental factors involved with drilling for oil and/or gas on Federal and Indian oil and gas leases. This information will be used to analyze and approve applications. Response to this request is mandatory only if the operator elects to initiate drilling or reentry operations on an oil and gas lease. The BLM would like you to know that you do not have to respond to this or any other Federal agency-sponsored information collection unless it displays a currently valid OMB control number.

**BURDEN HOURS STATEMENT:** Public reporting burden for this form is estimated to average 8 hours per response, including the time for reviewing instructions, gathering and maintaining data, and completing and reviewing the form. Direct comments regarding the burden estimate or any other aspect of this form to U.S. Department of the Interior, Bureau of Land Management (1004-0137), Bureau Information Connection Clearance Officer (WO-630), 1849 C Street, N.W., Mail Stop 401 LS, Washington, D.C. 20240.

## Additional Operator Remarks

### Location of Well

0. SHL: NWSE / 2515 FSL / 2220 FEL / TWSP: 23S / RANGE: 30E / SECTION: 16 / LAT: 32.3046988 / LONG: -103.8848272 ( TVD: 0 feet, MD: 0 feet )  
PPP: SWNE / 2647 FNL / 1432 FEL / TWSP: 23S / RANGE: 30E / SECTION: 4 / LAT: 32.3341571 / LONG: -103.8822427 ( TVD: 10036 feet, MD: 20900 feet )  
PPP: SWSE / 0 FSL / 1434 FEL / TWSP: 23S / RANGE: 30E / SECTION: 4 / LAT: 32.3268846 / LONG: -103.8822494 ( TVD: 10038 feet, MD: 18254 feet )  
PPP: SWSE / 0 FSL / 1433 FEL / TWSP: 23S / RANGE: 30E / SECTION: 9 / LAT: 32.3123337 / LONG: -103.8822628 ( TVD: 10042 feet, MD: 12961 feet )  
PPP: NWSE / 2545 FNL / 1430 FEL / TWSP: 23S / RANGE: 30E / SECTION: 16 / LAT: 32.3053387 / LONG: -103.8822692 ( TVD: 10044 feet, MD: 10416 feet )  
BHL: NWNE / 100 FNL / 1430 FEL / TWSP: 23S / RANGE: 30E / SECTION: 4 / LAT: 32.3411503 / LONG: -103.8822363 ( TVD: 10034 feet, MD: 23444 feet )

### BLM Point of Contact

Name: PAMELLA HERNANDEZ  
Title: LIE  
Phone: (575) 234-5954  
Email: PHERNANDEZ@BLM.GOV

CONFIDENTIAL

## PECOS DISTRICT DRILLING CONDITIONS OF APPROVAL

<b>OPERATOR'S NAME:</b> MEWBOURNE OIL COMPANY
<b>WELL NAME &amp; NO.:</b> FORTY NINER RIDGE UNIT COM 157H
<b>APD ID:</b> 10400107625
<b>LOCATION:</b> Section 16, T.23 S., R.30 E. NMP
<b>COUNTY:</b> <span style="border: 1px solid black; padding: 2px;">Eddy County, New Mexico ▼</span>

COA

H <sub>2</sub> S	<input type="radio"/> No		<input checked="" type="radio"/> Yes	
<b>Potash / WIPP</b>	<input type="radio"/> None	<input type="radio"/> Secretary	<input checked="" type="radio"/> R-111-Q	<input checked="" type="checkbox"/> Open Annulus <input type="checkbox"/> WIPP
	3-String Design: Open Production Casing Annulus			
<b>Cave / Karst</b>	<input type="radio"/> Low	<input type="radio"/> Medium	<input checked="" type="radio"/> High	<input type="radio"/> Critical
<b>Wellhead</b>	<input type="radio"/> Conventional	<input checked="" type="radio"/> Multibowl	<input type="radio"/> Both	<input type="radio"/> Diverter
<b>Cementing</b>	<input checked="" type="checkbox"/> Primary Squeeze	<input type="checkbox"/> Cont. Squeeze	<input type="checkbox"/> EchoMeter	<input type="checkbox"/> DV Tool
<b>Special Req</b>	<input type="checkbox"/> Capitan Reef	<input type="checkbox"/> Water Disposal	<input checked="" type="checkbox"/> COM	<input checked="" type="checkbox"/> Unit
<b>Waste Prev.</b>	<input type="radio"/> Self-Certification	<input checked="" type="radio"/> Waste Man. Plan	<input type="radio"/> APD Submitted prior to 06/10/2024	
<b>Additional Language</b>	<input checked="" type="checkbox"/> Flex Hose	<input type="checkbox"/> Casing Clearance	<input type="checkbox"/> Pilot Hole	<input checked="" type="checkbox"/> Break Testing
	<input type="checkbox"/> Four-String	<input checked="" type="checkbox"/> Offline Cementing	<input checked="" type="checkbox"/> Fluid-Filled	

### A. HYDROGEN SULFIDE

A Hydrogen Sulfide (H<sub>2</sub>S) Drilling Plan shall be activated **at spud**. As a result, the Hydrogen Sulfide area must meet all requirements from 43 CFR 3176, which includes equipment and personnel/public protection items. If Hydrogen Sulfide is encountered, please provide measured values and formations to the BLM.

*APD is within the R-111-Q defined boundary. Operator must follow all procedures and requirements listed within the Order No. R-111-Q.*

### B. CASING

#### Primary Casing Program (Design A)

1. The 13-3/8 inch surface casing shall be set at approximately **300 feet** (a minimum of 70 feet into the Rustler Anhydrite, above the salt, and below usable fresh water) and cemented to the surface. **If salt is encountered, set the casing at least 25 ft. above the salt.**
  - a. If cement does not circulate to the surface, the appropriate BLM office shall be notified and a temperature survey utilizing an electronic-type temperature survey with surface log readout will be used or a cement bond log shall be run to verify the top of the

- cement. Temperature survey will be run a minimum of six hours after pumping cement and ideally between 8-10 hours after completing the cement job.
- b. Wait on cement (WOC) time for a primary cement job will be a minimum of **8 hours** or **500 pounds compressive strength**, whichever is greater. (This is to include the lead cement)
  - c. Wait on cement (WOC) time for a remedial job will be a minimum of 4 hours after bringing cement to surface or 500 pounds compressive strength, whichever is greater.
  - d. If cement falls back, remedial cementing will be done prior to drilling out that string.
2. The **9-5/8 in.** intermediate casing shall be set in a competent bed at approximately **3,450 ft.** The minimum required fill of cement behind the **9-5/8** inch intermediate casing is:
- **Cement to surface.** If cement does not circulate see B.1.a, c-d above. Wait on cement (WOC) time for a primary cement job is to include the lead cement slurry due to **cave/karst, and potash.**

**Note:** The intermediate casing must be kept fluid-filled to meet minimum safety factor requirement against collapse.

3. Operator has proposed to set **7 inch** production casing at approximately **9,516 ft.** (9,471 ft. TVD). The minimum required fill of cement behind the **7** inch production casing is:
- Operator has proposed to cement the production casing in two stages by conventionally cementing the first stage and performing a bradenhead squeeze on the second stage within 180 days after well completion in accordance with the R-111-Q guidelines.
    - a. First stage: Operator will cement production casing with intent to bring cement to top of Brushy Canyon formation.
    - b. Second stage: Operator will perform bradenhead squeeze within 180 days after completion per R-111-Q requirements. Cement shall be tie-back **at least 500 ft. into the intermediate casing and below the Marker Bed 126.** If cement does not circulate, the appropriate BLM office shall be notified.
  - ❖ Operator has proposed an open annulus completion in R-111-Q. Operator shall provide a method of verification pre-completion top of cement. **Submit results to the BLM.**
  - ❖ **Operator must verify top of cement per R-111-Q requirements.** Submit results to the BLM. If cement does not circulate, contact the appropriate BLM office. If cement does not tie-back at least 500 ft. into the previous casing shoe, the appropriate BLM office shall be notified.
  - ❖ A monitored open annulus will be incorporated during completion by leaving the Intermediate Casing x Production Casing annulus un-cemented and monitored. Operator must follow **all** monitoring requirements listed within R-111-Q. Tieback shall be met within **180 days.**

- ❖ **In the event of a casing failure during completion**, the operator must contact the BLM engineer at (575-706-2779) and inspection staff (575-361-2822 Eddy County).
  - ❖ Pressure monitoring device and Pressure Safety Valves must be installed at surface on the open annulus for the life of the well.
4. The minimum required fill of cement behind the **4-1/2** inch production liner is:
- Cement should tie-back **100 feet** into the previous casing. Operator shall provide method of verification.

#### **Alternate Casing Program (Design B)**

1. The **13-3/8** inch surface casing shall be set at approximately **300 feet** (a minimum of 70 feet into the Rustler Anhydrite, above the salt, and below usable fresh water) and cemented to the surface. **If salt is encountered, set the casing at least 25 ft. above the salt.**
  - a. If cement does not circulate to the surface, the appropriate BLM office shall be notified and a temperature survey utilizing an electronic-type temperature survey with surface log readout will be used or a cement bond log shall be run to verify the top of the cement. Temperature survey will be run a minimum of six hours after pumping cement and ideally between 8-10 hours after completing the cement job.
  - b. Wait on cement (WOC) time for a primary cement job will be a minimum of **8 hours** or **500 pounds compressive strength**, whichever is greater. (This is to include the lead cement)
  - c. Wait on cement (WOC) time for a remedial job will be a minimum of 4 hours after bringing cement to surface or 500 pounds compressive strength, whichever is greater.
  - d. If cement falls back, remedial cementing will be done prior to drilling out that string.
2. The **9-5/8 in.** intermediate casing shall be set in a competent bed at approximately **3,450 ft.** The minimum required fill of cement behind the **9-5/8** inch intermediate casing is:
  - **Cement to surface.** If cement does not circulate see B.1.a, c-d above. Wait on cement (WOC) time for a primary cement job is to include the lead cement slurry due to **cave/karst, and potash.**

**Note:** The intermediate casing must be kept fluid-filled to meet minimum safety factor requirement against collapse.

3. Operator has proposed to set **7 inch** production casing at approximately **10,416 ft.** (10,044 ft. TVD). The minimum required fill of cement behind the **7 inch** production casing is:
  - Operator has proposed to cement the production casing in two stages by conventionally cementing the first stage and performing a bradenhead squeeze on the second stage within 180 days after well completion in accordance with the R-111-Q guidelines.

- a. First stage: Operator will cement production casing with intent to bring cement to top of Brushy Canyon formation.
  - b. Second stage: Operator will perform bradenhead squeeze within 180 days after completion per R-111-Q requirements. Cement shall be tie-back **at least 500 ft. into the intermediate casing and below the Marker Bed 126**. If cement does not circulate, the appropriate BLM office shall be notified.
- ❖ Operator has proposed an open annulus completion in R-111-Q. Operator shall provide a method of verification pre-completion top of cement. **Submit results to the BLM.**
  - ❖ **Operator must verify top of cement per R-111-Q requirements.** Submit results to the BLM. If cement does not circulate, contact the appropriate BLM office. If cement does not tie-back at least 500 ft. into the previous casing shoe, the appropriate BLM office shall be notified.
  - ❖ A monitored open annulus will be incorporated during completion by leaving the Intermediate Casing x Production Casing annulus un-cemented and monitored. Operator must follow **all** monitoring requirements listed within R-111-Q. Tieback shall be met within **180 days.**
  - ❖ **In the event of a casing failure during completion**, the operator must contact the BLM engineer at (575-706-2779) and inspection staff (575-361-2822 Eddy County).
  - ❖ Pressure monitoring device and Pressure Safety Valves must be installed at surface on the open annulus for the life of the well.
4. The minimum required fill of cement behind the 4-1/2 inch production liner is:
    - Cement should tie-back **100 feet** into the previous casing. Operator shall provide method of verification.

### Offline Cementing

Operator has been **(Approved)** to pump the proposed cement program offline in the **Surface and intermediate(s) intervals**. Offline cementing should commence within 24 hours of landing the casing for the interval. Notify the BLM 4hrs prior to the commencement of any offline cementing procedure at **Eddy County: 575-361-2822**.

### C. PRESSURE CONTROL

1. Variance approved to use flex line from BOP to choke manifold. Manufacturer's specification to be readily available. No external damage to flex line. Flex line to be installed as straight as possible (no hard bends).

2. Operator has proposed a multi-bowl wellhead assembly. Minimum working pressure of the blowout preventer (BOP) and related equipment (BOPE) required for drilling below the surface casing shoe shall be **5000 (5M) psi**. BOP and BOPE shall be tested in accordance with title **43 CFR 3172**.
  - i. Wellhead shall be installed by manufacturer's representatives, submit documentation with subsequent sundry.
  - ii. If the welding is performed by a third party, the manufacturer's representative shall monitor the temperature to verify that it does not exceed the maximum temperature of the seal.
  - iii. Manufacturer representative shall install the test plug for the initial BOP test.
  - iv. If the cement does not circulate and one-inch operations would have been possible with a standard wellhead, the well head shall be cut off, cementing operations performed and another wellhead installed.
  - v. Whenever any seal subject to test pressure is broken, all the tests in 43 CFR 3172 must be followed.

#### **BOPE Break Testing Variance (Utilizing a 10M BOPE system)**

- BOPE Break Testing is ONLY permitted for intervals utilizing a 5M BOPE or less. **(Annular preventer must be tested to a minimum of 70% of BOPE working pressure and shall be higher than the MASP.)**
- BOPE Break Testing is NOT permitted to drilling the production hole section.
- Variance only pertains to the intermediate hole-sections and no deeper than the Bone Springs formation.
- While in transfer between wells, the BOPE shall be secured by the hydraulic carrier or cradle.
- Any well control event while drilling require notification to the BLM Petroleum Engineer **(575-706-2779)** prior to the commencement of any BOPE Break Testing operations.
- A full BOPE test is required prior to drilling the first deep intermediate hole section. If any subsequent hole interval is deeper than the first, a full BOPE test will be required. (200' TVD tolerance between intermediate shoes is allowable).
- The BLM is to be contacted **(575-361-2822 Eddy County)** 4 hours prior to BOPE tests.
- As a minimum, a full BOPE test shall be performed at 21-day intervals.
- In the event any repairs or replacement of the BOPE is required, the BOPE shall test as per **43 CFR 3172**.
- If in the event break testing is not utilized, then a full BOPE test would be conducted.

#### **D. SPECIAL REQUIREMENT (S)**

##### **Unit Wells**

The well sign for a unit well shall include the unit number in addition to the surface and bottom hole lease numbers. This also applies to participating area numbers. If a participating area has not been established, the operator can use the general unit designation, but will replace the unit number with the participating area number when the sign is replaced.

### **Commercial Well Determination**

A commercial well determination shall be submitted after production has been established for at least six months. **(This is not necessary for secondary recovery unit wells)**

### **Communitization Agreement**

- The operator will submit a Communitization Agreement to the Santa Fe Office, 301 Dinosaur Trail Santa Fe, New Mexico 87508, at least 90 days before the anticipated date of first production from a well subject to a spacing order issued by the New Mexico Oil Conservation Division. The Communitization Agreement will include the signatures of all working interest owners in all Federal and Indian leases subject to the Communitization Agreement (i.e., operating rights owners and lessees of record), or certification that the operator has obtained the written signatures of all such owners and will make those signatures available to the BLM immediately upon request.
- The operator will submit an as-drilled survey well plat of the well completion, but are not limited to, those specified in 43 CFR 3171 and 3172.
- If the operator does not comply with this condition of approval, the BLM may take enforcement actions that include, but are not limited to, those specified in 43 CFR 3163.1.
- In addition, the well sign shall include the surface and bottom hole lease numbers. When the Communitization Agreement number is known, it shall also be on the sign.

## **GENERAL REQUIREMENTS**

The BLM is to be notified in advance for a representative to witness:

- a. Spudding well (minimum of 24 hours)
- b. Setting and/or Cementing of all casing strings (minimum of 4 hours)
- c. BOPE tests (minimum of 4 hours)

### **Contact Eddy County Petroleum Engineering Inspection Staff:**

Email or call the Carlsbad Field Office, 520 East Greene St., Carlsbad, NM 88220; [BLM\\_NM\\_CFO\\_DrillingNotifications@BLM.GOV](mailto:BLM_NM_CFO_DrillingNotifications@BLM.GOV); (575) 361-2822.

1. Unless the production casing has been run and cemented or the well has been properly plugged, the drilling rig shall not be removed from over the hole without prior approval.
  - a. In the event the operator has proposed to drill multiple wells utilizing a skid/walking rig. Operator shall secure the wellbore on the current well, after installing and testing the wellhead, by installing a blind flange of like pressure rating to the wellhead and a pressure gauge that can be monitored while drilling is performed on the other well(s).
  - b. When the operator proposes to set surface casing with Spudder Rig
    - i. Notify the BLM when moving in and removing the Spudder Rig.

- ii. Notify the BLM when moving in the 2<sup>nd</sup> Rig. Rig to be moved in within 90 days of notification that Spudder Rig has left the location.
  - iii. BOP/BOPE test to be conducted per **43 CFR 3172** as soon as 2<sup>nd</sup> Rig is rigged up on well.
2. Floor controls are required for 3M or Greater systems. These controls will be on the rig floor, unobstructed, readily accessible to the driller and will be operational at all times during drilling and/or completion activities. Rig floor is defined as the area immediately around the rotary table; the area immediately above the substructure on which the draw works are located, this does not include the doghouse or stairway area.
3. For intervals in which cement to surface is required, cement to surface should be verified with a visual check and density or pH check to differentiate cement from spacer and drilling mud. The results should be documented in the driller's log and daily reports.

#### A. CASING

1. Changes to the approved APD casing program need prior approval if the items substituted are of lesser grade or different casing size or are Non-API. The Operator can exchange the components of the proposal with that of superior strength (i.e. changing from J-55 to N-80, or from 36# to 40#). Changes to the approved cement program need prior approval if the altered cement plan has less volume or strength or if the changes are substantial (i.e. Multistage tool, ECP, etc.). The initial wellhead installed on the well will remain on the well with spools used as needed.
2. Wait on cement (WOC) for Potash Areas: After cementing but before commencing any tests, the casing string shall stand cemented under pressure until both of the following conditions have been met: 1) cement reaches a minimum compressive strength of 500 psi for all cement blends of both lead and tail cement, 2) until cement has been in place at least 8 hours. WOC time will be recorded in the driller's log. The casing integrity test can be done (prior to the cement setting up) immediately after bumping the plug.
3. Wait on cement (WOC) for Water Basin: After cementing but before commencing any tests, the casing string shall stand cemented under pressure until both of the following conditions have been met: 1) cement reaches a minimum compressive strength of 500 psi at the shoe, 2) until cement has been in place at least 8 hours. WOC time will be recorded in the driller's log. See individual casing strings for details regarding lead cement slurry requirements. The casing integrity test can be done (prior to the cement setting up) immediately after bumping the plug.
4. Provide compressive strengths including hours to reach required 500 pounds compressive strength prior to cementing each casing string. Have well specific cement details onsite prior to pumping the cement for each casing string.
5. No pea gravel permitted for remedial or fall back remedial without prior authorization from the BLM engineer.

6. On that portion of any well approved for a 5M BOPE system or greater, a pressure integrity test of each casing shoe shall be performed. Formation at the shoe shall be tested to a minimum of the mud weight equivalent anticipated to control the formation pressure to the next casing depth or at total depth of the well. This test shall be performed before drilling more than 20 feet of new hole.
7. If hardband drill pipe is rotated inside casing, returns will be monitored for metal. If metal is found in samples, drill pipe will be pulled and rubber protectors which have a larger diameter than the tool joints of the drill pipe will be installed prior to continuing drilling operations.
8. Whenever a casing string is cemented in the R-111-Q potash area, the NMOCD requirements shall be followed.

## **B. PRESSURE CONTROL**

1. All blowout preventer (BOP) and related equipment (BOPE) shall comply with well control requirements as described in **43 CFR 3172**.
2. If a variance is approved for a flexible hose to be installed from the BOP to the choke manifold, the following requirements apply: The flex line must meet the requirements of API 16C. Check condition of flexible line from BOP to choke manifold, replace if exterior is damaged or if line fails test. Line to be as straight as possible with no hard bends and is to be anchored according to Manufacturer's requirements. The flexible hose can be exchanged with a hose of equal size and equal or greater pressure rating. Anchor requirements, specification sheet and hydrostatic pressure test certification matching the hose in service, to be onsite for review. These documents shall be posted in the company man's trailer and on the rig floor.
3. 5M or higher system requires an HCR valve, remote kill line and annular to match. The remote kill line is to be installed prior to testing the system and tested to stack pressure.
4. If the operator has proposed a multi-bowl wellhead assembly in the APD. The following requirements must be met:
  - i. Wellhead shall be installed by manufacturer's representatives, submit documentation with subsequent sundry.
  - ii. If the welding is performed by a third party, the manufacturer's representative shall monitor the temperature to verify that it does not exceed the maximum temperature of the seal.
  - iii. Manufacturer representative shall install the test plug for the initial BOP test.
  - iv. Whenever any seal subject to test pressure is broken, all the tests in 43 CFR 3172.6(b)(9) must be followed.
  - v. If the cement does not circulate and one-inch operations would have been possible with a standard wellhead, the well head shall be cut off, cementing operations performed and another wellhead installed.

5. The appropriate BLM office shall be notified a minimum of 4 hours in advance for a representative to witness the tests.
  - i. In a water basin, for all casing strings utilizing slips, these are to be set as soon as the crew and rig are ready and any fallback cement remediation has been done. The casing cut-off and BOP installation can be initiated four hours after installing the slips, which will be approximately six hours after bumping the plug. For those casing strings not using slips, the minimum wait time before cut-off is eight hours after bumping the plug. BOP/BOPE testing can begin after cut-off or once cement reaches 500 psi compressive strength (including lead cement), whichever is greater. However, if the float does not hold, cut-off cannot be initiated until cement reaches 500 psi compressive strength (including lead when specified).
  - ii. In potash areas, for all casing strings utilizing slips, these are to be set as soon as the crew and rig are ready and any fallback cement remediation has been done. For all casing strings, casing cut-off and BOP installation can be initiated at twelve hours after bumping the cement plug. The BOPE test can be initiated after bumping the cement plug with the casing valve open. (Only applies to single stage cement jobs, prior to the cement setting up.)
  - iii. The tests shall be done by an independent service company utilizing a test plug not a cup or J-packer and can be initiated immediately with the casing valve open. The operator also has the option of utilizing an independent tester to test without a plug (i.e. against the casing) pursuant to **43 CFR 3172** with the pressure not to exceed 70% of the burst rating for the casing. Any test against the casing must meet the WOC time for 8 hours or 500 pounds compressive strength, whichever is greater, prior to initiating the test (see casing segment as lead cement may be critical item).
  - iv. The test shall be run on a 5000-psi chart for a 2-3M BOP/BOP, on a 10000 psi chart for a 5M BOP/BOPE and on a 15000 psi chart for a 10M BOP/BOPE. If a linear chart is used, it shall be a one-hour chart. A circular chart shall have a maximum 2-hour clock. If a twelve hour or twenty-four-hour chart is used, tester shall make a notation that it is run with a two hour clock.
  - v. The results of the test shall be reported to the appropriate BLM office.
  - vi. All tests are required to be recorded on a calibrated test chart. A copy of the BOP/BOPE test chart and a copy of independent service company test will be submitted to the appropriate BLM office.
  - vii. The BOP/BOPE test shall include a low-pressure test from 250 to 300 psi. The test will be held for a minimum of 10 minutes if test is done with a test plug and 30 minutes without a test plug. This test shall be performed prior to the test at full stack pressure.
  - viii. BOP/BOPE must be tested by an independent service company within 500 feet of the top of the Wolfcamp formation if the time between the setting of the

intermediate casing and reaching this depth exceeds 20 days. This test does not exclude the test prior to drilling out the casing shoe as per **43 CFR 3172**.

**C. DRILLING MUD**

Mud system monitoring equipment, with derrick floor indicators and visual and audio alarms, shall be operating before drilling into the Wolfcamp formation, and shall be used until production casing is run and cemented.

**D. WASTE MATERIAL AND FLUIDS**

All waste (i.e. drilling fluids, trash, salts, chemicals, sewage, gray water, etc.) created as a result of drilling operations and completion operations shall be safely contained and disposed of properly at a waste disposal facility. No waste material or fluid shall be disposed of on the well location or surrounding area. Porto-johns and trash containers will be on-location during fracturing operations or any other crew-intensive operations.

**SA 12/01/2025**



# Operator Certification Data Report

01/05/2026

U.S. Department of the Interior  
BUREAU OF LAND MANAGEMENT

## Operator

I hereby certify that I, or someone under my direct supervision, have inspected the drill site and access route proposed herein; that I am familiar with the conditions which currently exist; that I have full knowledge of state and Federal laws applicable to this operation; that the statements made in this APD package are, to the best of my knowledge, true and correct; and that the work associated with the operations proposed herein will be performed in conformity with this APD package and the terms and conditions under which it is approved. I also certify that I, or the company I represent, am responsible for the operations conducted under this application. These statements are subject to the provisions of 18 U.S.C. 1001 for the filing of false statements.

**NAME:** MELONY LEAL

**Signed on:** 10/30/2025

**Title:** Analyst

**Street Address:** 4801 BUSINESS PARK BLVD

**City:** HOBBS

**State:** NM

**Zip:** 88240

**Phone:** (575)393-5905

**Email address:** MLEAL@MEWBOURNE.COM

## Field

**Representative Name:**

**Street Address:**

**City:**

**State:**

**Zip:**

**Phone:**

**Email address:**



U.S. Department of the Interior  
BUREAU OF LAND MANAGEMENT

# Application Data

01/05/2026

APD ID: 10400107625

Submission Date: 10/30/2025

Highlighted data reflects the most recent changes  
[Show Final Text](#)

Operator Name: MEWBOURNE OIL COMPANY

Well Name: FORTY NINER RIDGE UNIT COM

Well Number: 157H

Well Type: OIL WELL

Well Work Type: Drill

## Section 1 - General

APD ID: 10400107625

Tie to previous NOS?

Submission Date: 10/30/2025

BLM Office: Carlsbad

User: MELONY LEAL

Title: Analyst

Federal/Indian APD: FED

Is the first lease penetrated for production Federal or Indian? FED

Lease number: NMNM104965

Lease Acres:

Surface access agreement in place?

Allotted?

Reservation:

Agreement in place? YES

Federal or Indian agreement: FEDERAL

Agreement number: NMNM106699368

Agreement name:

Keep application confidential? Y

Permitting Agent? NO

APD Operator: MEWBOURNE OIL COMPANY

Operator letter of

## Operator Info

Operator Organization Name: MEWBOURNE OIL COMPANY

Operator Address: P O BOX 5270

Zip: 88241

Operator PO Box:

Operator City: HOBBS

State: NM

Operator Phone: (575)393-5905

Operator Internet Address:

## Section 2 - Well Information

Well in Master Development Plan? NO

Master Development Plan name:

Well in Master SUPO? NO

Master SUPO name:

Well in Master Drilling Plan? NO

Master Drilling Plan name:

Well Name: FORTY NINER RIDGE UNIT COM

Well Number: 157H

Field/Pool or Exploratory? Field and Pool

Field Name: FORTY NINER

Pool Name: BONE SPRING

**Operator Name:** MEWBOURNE OIL COMPANY

**Well Name:** FORTY NINER RIDGE UNIT COM

**Well Number:** 157H

**Is the proposed well in an area containing other mineral resources?** USEABLE WATER,NATURAL GAS,OIL

**Is the proposed well in a Helium production area?** N    **Use Existing Well Pad?** N    **New surface disturbance?**

**Type of Well Pad:** MULTIPLE WELL

**Multiple Well Pad Name:**  
FORTY NINER RIDGE UNIT  
COM 154 155 156 157 158 159  
160

**Number:** 8

**Well Class:** HORIZONTAL

**Number of Legs:** 1

**Well Work Type:** Drill

**Well Type:** OIL WELL

**Describe Well Type:**

**Well sub-Type:** APPRAISAL

**Describe sub-type:**

**Distance to town:** 30 Miles

**Distance to nearest well:** 20 FT

**Distance to lease line:** 320 FT

**Reservoir well spacing assigned acres Measurement:** 1600.4 Acres

**Well plat:** FORTY\_NINER\_RIDGE\_UNIT\_COM\_157H\_C102\_20251002135049.pdf

**Well work start Date:** 12/02/2025

**Duration:** 60 DAYS

**Section 3 - Well Location Table**

**Survey Type:** RECTANGULAR

**Describe Survey Type:**

**Datum:** NAD83

**Vertical Datum:** NAVD88

**Survey number:**

**Reference Datum:** GROUND LEVEL

Wellbore	NS-Foot	NS Indicator	EW-Foot	EW Indicator	Twsp	Range	Section	Aliquot/Lot/Tract	Latitude	Longitude	County	State	Meridian	Lease Type	Lease Number	Elevation	MD	TVD	Will this well produce from this
SHL Leg #1	2515	FSL	2220	FEL	23S	30E	16	Aliquot NWSE	32.3046988	-103.8848272	EDD Y	NEW MEXI CO	NEW MEXI CO	S	STATE	3156			Y
KOP Leg #1	2180	FSL	1430	FEL	23S	30E	16	Aliquot NWSE	32.303764	-103.8822733	EDD Y	NEW MEXI CO	NEW MEXI CO	S	STATE	-6315	9516	9471	Y

Operator Name: MEWBOURNE OIL COMPANY

Well Name: FORTY NINER RIDGE UNIT COM

Well Number: 157H

Wellbore	NS-Foot	NS Indicator	EW-Foot	EW Indicator	Twsp	Range	Section	Aliquot/Lot/Tract	Latitude	Longitude	County	State	Meridian	Lease Type	Lease Number	Elevation	MD	TVD	Will this well produce from this
PPP Leg #1-1	2545	FNL	1430	FEL	23S	30E	16	Aliquot NWSE	32.3053387	-103.8822692	EDD Y	NEW MEXICO	NEW MEXICO	S	STATE	-6888	10416	10044	Y
PPP Leg #1-2	0	FSL	1433	FEL	23S	30E	9	Aliquot SWSE	32.3123337	-103.8822628	EDD Y	NEW MEXICO	NEW MEXICO	F	NMNM 104965	-6886	12961	10042	Y
PPP Leg #1-3	0	FSL	1434	FEL	23S	30E	4	Aliquot SWSE	32.3268846	-103.8822494	EDD Y	NEW MEXICO	NEW MEXICO	F	NMNM 0543280	-6882	18254	10038	Y
PPP Leg #1-4	2647	FNL	1432	FEL	23S	30E	4	Aliquot SWNE	32.3341571	-103.8822427	EDD Y	NEW MEXICO	NEW MEXICO	F	NMNM 135243	-6880	20900	10036	Y
EXIT Leg #1	100	FNL	1430	FEL	23S	30E	4	Aliquot NWNE	32.3411503	-103.8822363	EDD Y	NEW MEXICO	NEW MEXICO	F	NMNM 135243	-6878	23444	10034	Y
BHL Leg #1	100	FNL	1430	FEL	23S	30E	4	Aliquot NWNE	32.3411503	-103.8822363	EDD Y	NEW MEXICO	NEW MEXICO	F	NMNM 135243	-6878	23444	10034	Y

C-102  Submit Electronically Via OCD Permitting	State of New Mexico Energy, Minerals & Natural Resources Department <b>OIL CONSERVATION DIVISION</b>	Revised July 9, 2024
		Submittal Type: <input checked="" type="checkbox"/> Initial Submittal <input type="checkbox"/> Amended Report <input type="checkbox"/> As Drilled

WELL LOCATION INFORMATION

API Number <b>30-015-57871</b>	Pool Code <del>94720</del> <b>24720</b>	Pool Name <b>FORTY NINER RIDGE BONE SPRING</b>
Property Code <b>336611</b>	Property Name <b>FORTY NINER RIDGE UNIT COM</b>	Well Number <b>157H</b>
OGRID No. 14744	Operator Name <b>MEWBOURNE OIL COMPANY</b>	Ground Level Elevation <b>3156'</b>
Surface Owner: <input checked="" type="checkbox"/> State <input type="checkbox"/> Fee <input type="checkbox"/> Tribal <input type="checkbox"/> Federal		Mineral Owner: <input type="checkbox"/> State <input type="checkbox"/> Fee <input type="checkbox"/> Tribal <input checked="" type="checkbox"/> Federal

Surface Location

UL	Section	Township	Range	Lot	Ft. from N/S	Ft. from E/W	Latitude	Longitude	County
<b>J</b>	<b>16</b>	<b>23S</b>	<b>30E</b>		<b>2515 FSL</b>	<b>2220 FEL</b>	<b>32.3046988°N</b>	<b>103.8848272°W</b>	<b>EDDY</b>

Bottom Hole Location

UL	Section	Township	Range	Lot	Ft. from N/S	Ft. from E/W	Latitude	Longitude	County
<b>B</b>	<b>4</b>	<b>23S</b>	<b>30E</b>		<b>100 FNL</b>	<b>1430 FEL</b>	<b>32.3411503°N</b>	<b>103.8822363°W</b>	<b>EDDY</b>

Dedicated Acres <b>1600.4</b>	Infill or Defining Well <b>INFILL</b>	Defining Well API FORTY NINER RIDGE UNIT COM 155H	Overlapping Spacing Unit (Y/N) <b>Y</b>	Consolidation Code <b>C</b>
Order Numbers. R-23429			Well setbacks are under Common Ownership: <input type="checkbox"/> Yes <input checked="" type="checkbox"/> No	

Kick Off Point (KOP)

UL	Section	Township	Range	Lot	Ft. from N/S	Ft. from E/W	Latitude	Longitude	County
<b>J</b>	<b>16</b>	<b>23S</b>	<b>30E</b>		<b>2180 FSL</b>	<b>1430 FEL</b>	<b>32.3037640°N</b>	<b>103.8822733°W</b>	<b>EDDY</b>


First Take Point (FTP)

UL	Section	Township	Range	Lot	Ft. from N/S	Ft. from E/W	Latitude	Longitude	County
<b>G</b>	<b>16</b>	<b>23S</b>	<b>30E</b>		<b>2545 FNL</b>	<b>1430 FEL</b>	<b>32.3053387°N</b>	<b>103.8822692°W</b>	<b>EDDY</b>

Last Take Point (LTP)

UL	Section	Township	Range	Lot	Ft. from N/S	Ft. from E/W	Latitude	Longitude	County
<b>B</b>	<b>4</b>	<b>23S</b>	<b>30E</b>		<b>100 FNL</b>	<b>1430 FEL</b>	<b>32.3411503°N</b>	<b>103.8822363°W</b>	<b>EDDY</b>

Unitized Area or Area of Uniform Interest N/A	Spacing Unit Type <input checked="" type="checkbox"/> Horizontal <input type="checkbox"/> Vertical	Ground Floor Elevation: 3156'
--------------------------------------------------	----------------------------------------------------------------------------------------------------	----------------------------------

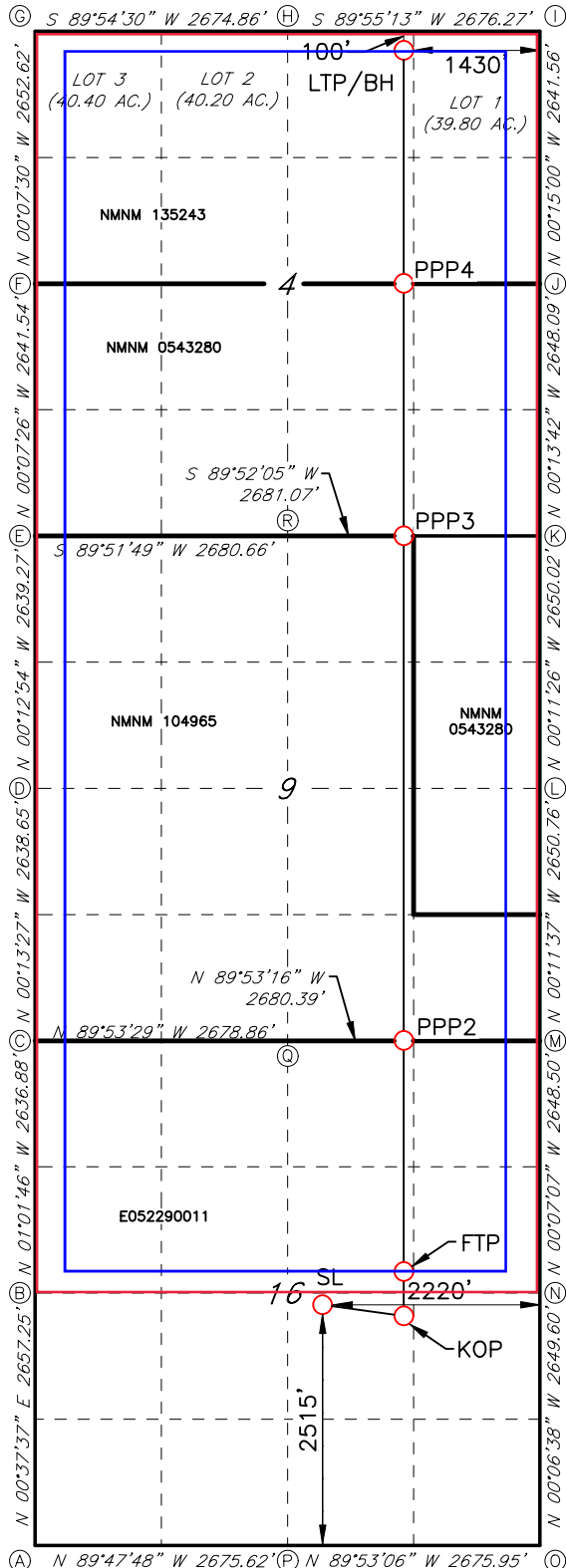
<p><b>OPERATOR CERTIFICATIONS</b></p> <p><i>I hereby certify that the information contained herein is true and complete to the best of my knowledge and belief, and, if the well is a vertical or directional well, that this organization either owns a working interest or unleased mineral interest in the land including the proposed bottom hole location or has a right to drill this well at this location pursuant to a contract with an owner of a working interest or unleased mineral interest, or to a voluntary pooling agreement or a compulsory pooling order heretofore entered by the division.</i></p> <p><i>If this well is a horizontal well, I further certify that this organization has received the consent of at least one lessee or owner of a working interest or unleased mineral interest in each tract (in the target pool or formation) in which any part of the well's completed interval will be located or obtained a compulsory pooling order from the division.</i></p> <p><i>Brett Miller</i>                      09/12/2025</p>	<p><b>SURVEYOR CERTIFICATIONS</b></p> <p><i>I hereby certify that the well location shown on this plat was plotted from field notes of actual surveys made by me under my supervision, and that the same is true and correct to the best of my belief.</i></p> <div style="text-align: center;">  </div>
Signature <b>Brett Miller</b>	Signature and Seal of Professional Surveyor <i>Robert M. Howett</i>
Date 09/12/2025	
Printed Name <b>brett.miller@mewbourne.com</b>	Certificate Number <b>19680</b>
Email Address	Date of Survey <b>06/21/2021</b>

Note: No allowable will be assigned to this completion until all interests have been consolidated or a non-standard unit has been approved by the division.

ACREAGE DEDICATION PLATS

This grid represents a standard section. You may superimpose a non-standard section, or larger area, over this grid. Operators must outline the dedicated acreage in a red box, clearly show the well surface location and bottom hole location, if it is a directionally drilled, with the dimensions from the section lines in the cardinal directions. If this is a horizontal wellbore show on this plat the location of the First Take Point and Last Take Point, and the point within the Completed interval (other than the First Take Point or Last Take Point) that is closest to any outer boundary of the tract.

Surveyors shall use the latest United States government survey or dependent resurvey. Well locations will be in reference to the New Mexico Principal Meridian. If the land is not surveyed, contact the OCD Engineering Bureau. Independent subdivision surveys will not be acceptable.



**FORTY NINER RIDGE UNIT COM #157H**

GEODETTIC DATA  
NAD 83 GRID - NM EAST

SURFACE LOCATION (SL)  
2515' FSL & 2220' FEL (SEC.16)  
N: 474871.7 - E: 679907.9

LAT: 32.3046988° N  
LONG: 103.8848272° W

KICK OFF POINT (KOP)  
2180 FSL & 1430' FEL (SEC.16)  
N: 474535.0 - E: 680698.4

LAT: 32.3037640° N  
LONG: 103.8822733° W

FIRST TAKE POINT (FTP)  
2545' FNL & 1430' FEL (SEC.16)  
N: 475107.9 - E: 680697.3

LAT: 32.3053387° N  
LONG: 103.8822692° W

PROPOSED PENETRATION POINT 2 (PPP2)  
0' FSL & 1433' FEL (SEC.9)  
N: 477652.6 - E: 680688.5

LAT: 32.3123337° N  
LONG: 103.8822628° W

PROPOSED PENETRATION POINT 3 (PPP3)  
0' FSL & 1434' FEL (SEC.4)  
N: 482946.1 - E: 680670.4

LAT: 32.3268846° N  
LONG: 103.8822494° W

PROPOSED PENETRATION POINT 4 (PPP4)  
2645' FNL & 1432' FEL (SEC.4)  
N: 485591.8 - E: 680661.3

LAT: 32.3341571° N  
LONG: 103.8822427° W

LAST TAKE POINT/BOTTOM HOLE (LTP/BH)  
100' FNL & 1430' FEL (SEC.4)  
N: 488135.9 - E: 680652.6

LAT: 32.3411503° N  
LONG: 103.8822363° W

CORNER DATA  
NAD 83 GRID - NM EAST

A: FOUND BRASS CAP "1942"  
N: 472367.7 - E: 676781.9

J: FOUND BRASS CAP "1916"  
N: 485596.9 - E: 682093.4

B: FOUND BRASS CAP "1942"  
N: 475024.2 - E: 676811.0

K: FOUND BRASS CAP "1942"  
N: 482949.4 - E: 682103.9

C: FOUND BRASS CAP "1942"  
N: 477660.1 - E: 676763.6

L: FOUND BRASS CAP "1942"  
N: 480299.9 - E: 682112.7

D: FOUND BRASS CAP "1942"  
N: 480298.2 - E: 676753.3

M: FOUND BRASS CAP "1942"  
N: 477649.8 - E: 682121.7

E: FOUND BRASS CAP "1942"  
N: 482936.8 - E: 676743.4

N: FOUND BRASS CAP "1942"  
N: 475001.9 - E: 682127.2

F: FOUND BRASS CAP "1942"  
N: 485577.8 - E: 676737.7

O: FOUND BRASS CAP "1942"  
N: 472352.8 - E: 682132.3

G: FOUND BRASS CAP "1916"  
N: 488229.8 - E: 676731.9

P: FOUND BRASS CAP "1942"  
N: 472358.2 - E: 679456.9

H: FOUND BRASS CAP "1916"  
N: 488234.1 - E: 679406.2

Q: FOUND BRASS CAP "1942"  
N: 477655.0 - E: 679441.9

I: FOUND BRASS CAP "1916"  
N: 488237.8 - E: 682081.8

R: FOUND BRASS CAP "1942"  
N: 482943.2 - E: 679423.4



U.S. Department of the Interior  
BUREAU OF LAND MANAGEMENT

# Drilling Plan Data Report

01/05/2026

APD ID: 10400107625

Submission Date: 10/30/2025

Highlighted data reflects the most recent changes

Operator Name: MEWBOURNE OIL COMPANY

Well Name: FORTY NINER RIDGE UNIT COM

Well Number: 157H

Well Type: OIL WELL

Well Work Type: Drill

Show Final Text

## Section 1 - Geologic Formations

Formation ID	Formation Name	Elevation	True Vertical	Measured Depth	Lithologies	Mineral Resources	Producing Formatio
17081748	UNKNOWN	3156	28	28	OTHER : Topsoil	NONE	N
17081760	TOP SALT	2781	375	375	SALT	NONE	N
17081756	LAMAR	-394	3550	3550	LIMESTONE	NATURAL GAS, OIL	N
17081752	BELL CANYON	-419	3575	3575	SANDSTONE	NATURAL GAS, OIL	N
17081753	CHERRY CANYON	-1344	4500	4500	SANDSTONE	NATURAL GAS, OIL	N
17081754	MANZANITA	-1469	4625	4625	LIMESTONE	NATURAL GAS, OIL	N
17081761	BRUSHY CANYON	-2619	5775	5775	SANDSTONE	NATURAL GAS, OIL	N
17081747	BONE SPRING	-4294	7450	7450	LIMESTONE, SHALE	NATURAL GAS, OIL	Y
17081750	BONE SPRING 1ST	-5294	8450	8450	SANDSTONE	NATURAL GAS, OIL	N
17081751	BONE SPRING 2ND	-5944	9100	9100	SANDSTONE	NATURAL GAS, OIL	Y
17081729	BONE SPRING 3RD	-7194	10350	10350	SANDSTONE	NATURAL GAS, OIL	N
17081764	WOLFCAMP	-7619	10775	10775	LIMESTONE, SANDSTONE, SHALE	NATURAL GAS, OIL	Y

## Section 2 - Blowout Prevention

Pressure Rating (PSI): 5M

Rating Depth: 23444

**Equipment:** Annular, Pipe Rams, Blind Rams, Other accessories to the BOP equipment will include a Kelly cock and floor safety valve (inside BOP) and choke lines and choke manifold. See attached schematics

**Requesting Variance?** YES

**Variance request:** A variance is requested for the use of a flexible choke line from the BOP to the choke manifold. See attached for hydrostatic test chart. Anchors are not required by manufacturer. Variance is requested to use a multi bowl wellhead. Variance is requested to perform break testing according to attached procedure. If a breaktesting variance is approved & incorporated, API Standard 53 will be incorporated and

**Operator Name:** MEWBOURNE OIL COMPANY

**Well Name:** FORTY NINER RIDGE UNIT COM

**Well Number:** 157H

testing annular BOP to 70% of RWP or 100% of MASP, whichever is greater, will be performed.

**Testing Procedure:** BOP/BOPE will be tested by an independent service company to 250 psi low and the high pressure indicated above per 43 CFR Part 3172 requirements. The System may be upgraded to a higher pressure but still tested to the working pressure listed in the table above. If the system is upgraded all the components installed will be functional and tested. Pipe rams will be operationally checked each 24 hour period. Blind rams will be operationally checked on each trip out of the hole. These checks will be noted on the daily tour sheets.

**Choke Diagram Attachment:**

5M\_BOPE\_Choke\_Diagram\_20251002135824.pdf

Flex\_Line\_Specs\_API\_16C\_20251002135832.pdf

**BOP Diagram Attachment:**

5M\_BOPE\_Schematic\_20251002135842.pdf

Multi\_Bowl\_WH\_20251106135000.pdf

**Section 3 - Casing**

Casing ID	String Type	Hole Size	Csg Size	Condition	Standard	Tapered String	Top Set MD	Bottom Set MD	Top Set TVD	Bottom Set TVD	Top Set MSL	Bottom Set MSL	Calculated casing length MD	Grade	Weight	Joint Type	Collapse SF	Burst SF	Joint SF Type	Joint SF	Body SF Type	Body SF
1	SURFACE	17.5	13.375	NEW	API	N	0	300	0	300	3156	2856	300	H-40	48	ST&C	5.74	12.9	DRY	22.36	DRY	37.57
2	INTERMEDIATE	12.25	9.625	NEW	API	N	0	3385	0	3385	3220	-229	3385	J-55	36	LT&C	1.13	1.96	DRY	3.64	DRY	4.53
3	INTERMEDIATE	12.25	9.625	NEW	API	N	3385	3450	3385	3450	-229	-294	65	J-55	40	LT&C	1.41	2.16	DRY	99.99	DRY	99.99
4	PRODUCTION	8.75	7.0	NEW	API	N	0	9516	0	9471	3220	-6315	9516	P-110	26	LT&C	1.31	2.08	DRY	2.82	DRY	3.37
5	LINER	6.125	4.5	NEW	API	N	9316	23444	9297	10034	-6141	-6878	14128	P-110	13.5	LT&C	1.78	2.07	DRY	1.77	DRY	2.21

**Casing Attachments**

**Operator Name:** MEWBOURNE OIL COMPANY

**Well Name:** FORTY NINER RIDGE UNIT COM

**Well Number:** 157H

**Casing Attachments**

---

**Casing ID:** 1                      **String**      SURFACE

**Inspection Document:**

**Spec Document:**

**Tapered String Spec:**

**Casing Design Assumptions and Worksheet(s):**

13.375in\_48\_\_H40\_STC\_Csg\_20251002140000.pdf

---

**Casing ID:** 2                      **String**      INTERMEDIATE

**Inspection Document:**

**Spec Document:**

**Tapered String Spec:**

**Casing Design Assumptions and Worksheet(s):**

9.625in\_36\_J55\_LTC\_Csg\_20251002140036.pdf

---

**Casing ID:** 3                      **String**      INTERMEDIATE

**Inspection Document:**

**Spec Document:**

**Tapered String Spec:**

**Casing Design Assumptions and Worksheet(s):**

9.625in\_40\_\_J55\_LTC\_Csg\_20251002140411.pdf

---

**Operator Name:** MEWBOURNE OIL COMPANY

**Well Name:** FORTY NINER RIDGE UNIT COM

**Well Number:** 157H

**Casing Attachments**

**Casing ID:** 4      **String**      PRODUCTION

**Inspection Document:**

**Spec Document:**

**Tapered String Spec:**

**Casing Design Assumptions and Worksheet(s):**

7in\_26\_P110\_LTC\_Csg\_20251002140132.pdf

**Casing ID:** 5      **String**      LINER

**Inspection Document:**

**Spec Document:**

**Tapered String Spec:**

**Casing Design Assumptions and Worksheet(s):**

13.375in\_48\_\_H40\_STC\_Csg\_20251002124030.pdf

**Section 4 - Cement**

String Type	Lead/Tail	Stage Tool Depth	Top MD	Bottom MD	Quantity(sx)	Yield	Density	Cu Ft	Excess%	Cement type	Additives
SURFACE	Lead		0	116	80	2.12	12.5	170	100	Class C	Salt, Gel, Extender, LCM
SURFACE	Tail		116	300	200	1.34	14.8	268	100	Class C	Retarder
INTERMEDIATE	Lead		0	2789	530	2.12	12.5	1130	25	Class C	Salt, Gel, Extender, LCM
INTERMEDIATE	Tail		2789	3450	200	1.34	14.8	268	25	Class C	Retarder
PRODUCTION	Lead		4450	6419	140	2.12	12.5	300	0	Class C	Gel, Retarder, Defoamer, Extender

**Operator Name:** MEWBOURNE OIL COMPANY

**Well Name:** FORTY NINER RIDGE UNIT COM

**Well Number:** 157H

String Type	Lead/Tail	Stage Tool Depth	Top MD	Bottom MD	Quantity(sx)	Yield	Density	Cu Ft	Excess%	Cement type	Additives
PRODUCTION	Tail		6419	9516	400	1.18	15.6	472	0	Class H	FLUID LOSS DEFOAMER RETARDER
LINER	Lead		9316	2344 4	910	1.85	13.5	690	25	Class H	Salt, Gel, Fluid Loss, Retarder, Dispersant, Defoamer, Anti-Settling Agent

### Section 5 - Circulating Medium

**Mud System Type:** Closed

**Will an air or gas system be Used?** NO

**Description of the equipment for the circulating system in accordance with 43 CFR 3172:**

**Diagram of the equipment for the circulating system in accordance with 43 CFR 3172:**

**Describe what will be on location to control well or mitigate other conditions:** Formation integrity test will be performed per 43 CFR Part 3172. On Exploratory wells or on that portion of any well approved for a 5M BOPE system or greater, a pressure integrity test of each casing shoe shall be performed. Will be tested in accordance with 43 CFR Part 3172.

**Describe the mud monitoring system utilized:** PVT/Visual Monitoring

### Circulating Medium Table

Top Depth	Bottom Depth	Mud Type	Min Weight (lbs/gal)	Max Weight (lbs/gal)	Density (lbs/cu ft)	Gel Strength (lbs/100 sqft)	PH	Viscosity (CP)	Salinity (ppm)	Filtration (cc)	Additional Characteristics
0	300	SPUD MUD	8.4	8.6							
300	3450	SALT SATURATED	10	10.2							
3450	9516	WATER-BASED MUD	8.6	9.7							
9516	2344 4	OIL-BASED MUD	10	11.5							

**Operator Name:** MEWBOURNE OIL COMPANY**Well Name:** FORTY NINER RIDGE UNIT COM**Well Number:** 157H

## Section 6 - Test, Logging, Coring

**List of production tests including testing procedures, equipment and safety measures:**

No logs are planned based on well control or offset log information. Offset Well: Forty Niner Ridge Unit Com #161H

**List of open and cased hole logs run in the well:**

DIRECTIONAL SURVEY, MEASUREMENT WHILE DRILLING, MUD LOG/GEOLOGIC LITHOLOGY LOG,

**Coring operation description for the well:**

None

## Section 7 - Pressure

**Anticipated Bottom Hole Pressure:** 6006**Anticipated Surface Pressure:** 3796**Anticipated Bottom Hole Temperature(F):** 140**Anticipated abnormal pressures, temperatures, or potential geologic hazards?** NO**Describe:****Contingency Plans geohazards description:****Contingency Plans geohazards****Hydrogen Sulfide drilling operations plan required?** YES**Hydrogen sulfide drilling operations**

H2S\_Plan\_20251002124941.pdf

## Section 8 - Other Information

**Proposed horizontal/directional/multi-lateral plan submission:**

FORTY\_NINER\_RIDGE\_UNIT\_COM\_157H\_Dir\_Plan\_20251002140727.pdf

FORTY\_NINER\_RIDGE\_UNIT\_COM\_157H\_Dir\_Plot\_20251002140735.pdf

**Other proposed operations facets description:****Other proposed operations facets attachment:**

Forty\_Niner\_Ridge\_Unit\_Com\_157H\_Drlg\_Program\_20251002140749.pdf

Binder1\_20251009101957.pdf

Forty\_Niner\_Ridge\_Unit\_Com\_157H\_R\_111Q\_Csg\_\_\_Cmt\_Assumptions\_20251106135108.pdf

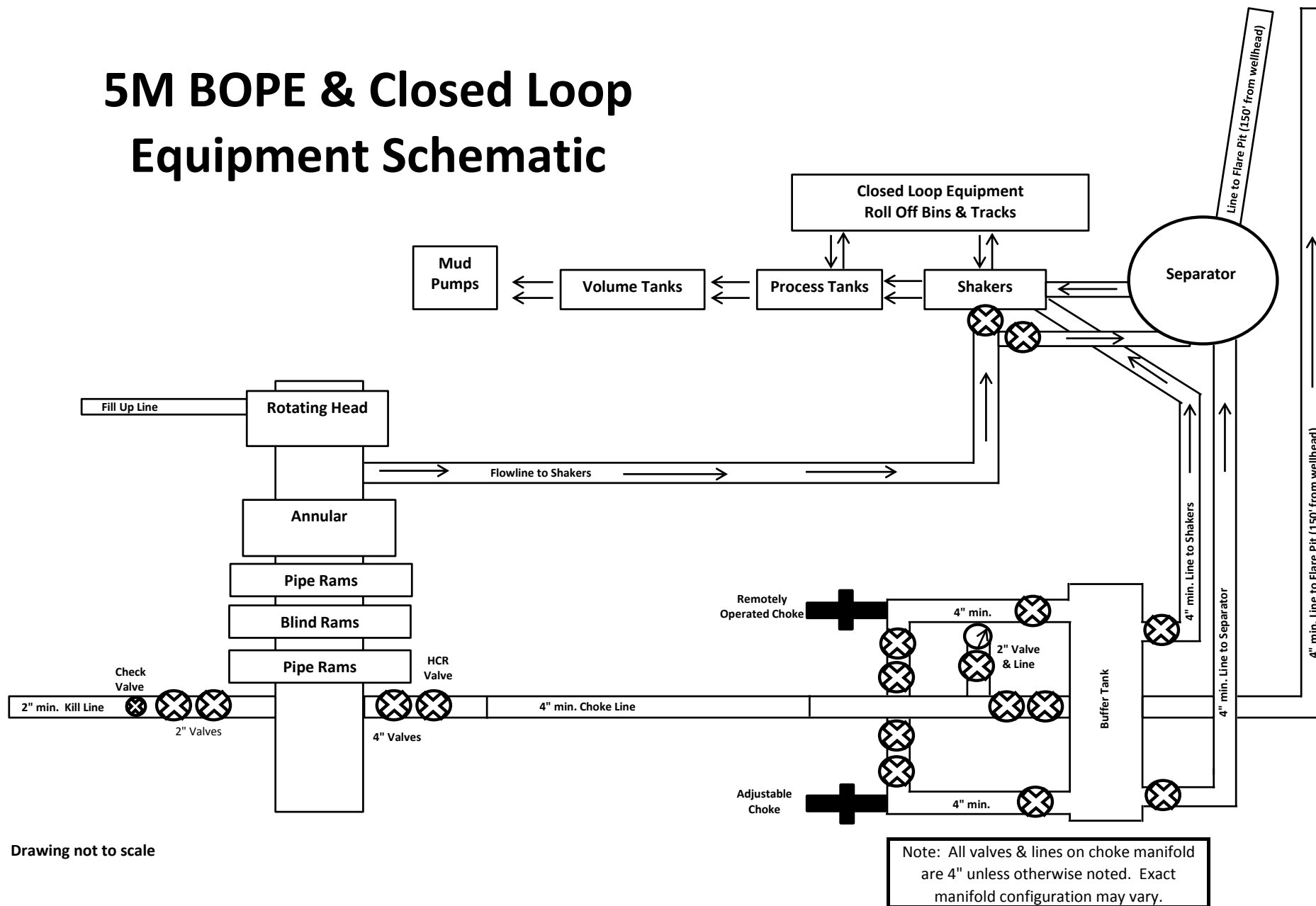
**Other Variance request(s)?:** Y**Other Variance attachment:**

MOC\_Break\_Testing\_Variance\_20251002125103.pdf

MOC\_Offline\_Cementing\_Variance\_20251002125059.pdf

CONFIDENTIAL

# 5M BOPE & Closed Loop Equipment Schematic



Drawing not to scale

**LUOHE LETONE HYDRAULICS TECHNOLOGY CO.,LTD**

**HYDROSTATIC TESTING REPORT**

**LTYY/QR-5.7.1-28**

No: 230826015

Product Name	Choke And Kill Hose	Standard	API Spec 16C 3 <sup>rd</sup> edition
Product Specification	3"×10000psi×60ft (18.29m)	Serial Number	7660144
Inspection Equipment	MTU-BS-1600-3200-E	Test medium	Water
Inspection Department	Q.C. Department	Inspection Date	2023.08.26

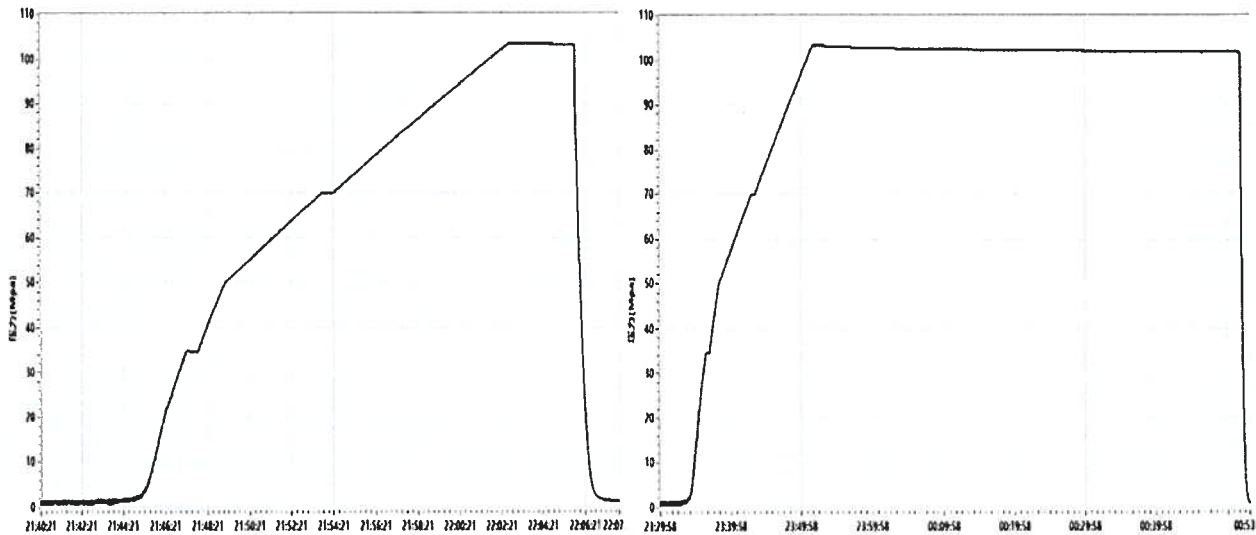
**Rate of length change**

Standard requirements	At working pressure ,the rate of length change should not more than $\pm 2\%$
Testing result	10000psi (69.0MPa) ,Rate of length change 0.7%

**Hydrostatic testing**

Standard requirements	At 1.5 times working pressure, the initial pressure-holding period of not less than three minutes, the second pressure-holding period of not less than one hour, no leaks.
Testing result	15000psi (103.5MPa), 3 min for the first time, 60 min for the second time, no leakage

Graph of pressure testing:



Conclusion	The inspected items meet standard requirements of API Spec 16C 3 <sup>rd</sup> edition		
Approver	Jiaolong Chen	Auditor	Huiling Dong
Inspector	Zhanheng Wang		

LUOHE LETONE HYDRAULICS TECHNOLOGY CO.,LTD

CERTIFICATE OF QUALITY

LTYQ/QR-5.7.1-19B

No: LT2023-126-002

Customer Name	Austin Hose		
Product Name	Choke And Kill Hose		
Product Specification	3"×10000psi×60ft (18.29m)	Quantity	2PCS
Serial Number	7660143~7660144	FSL	FSL3
Temperature Range	-29℃~+121℃	Standard	API Spec 16C 3 <sup>rd</sup> edition
Inspection Department	Q.C. Department	Inspection date	2023.08.26

Inspection Items	Inspection results				
Appearance Checking	In accordance with API Spec 16C 3 <sup>rd</sup> edition				
Size and Lengths	In accordance with API Spec 16C 3 <sup>rd</sup> edition				
Dimensions and Tolerances	In accordance with API Spec 16C 3 <sup>rd</sup> edition				
End Connections: 4-1/16"×10000psi Integral flange for sour gas service	In accordance with API Spec 6A 21 <sup>st</sup> edition				
End Connections: 4-1/16"×10000psi Integral flange for sour gas service	In accordance with API Spec 17D 3 <sup>rd</sup> edition				
Hydrostatic Testing	In accordance with API Spec 16C 3 <sup>rd</sup> edition				
product Marking	In accordance with API Spec 16C 3 <sup>rd</sup> edition				
Inspection conclusion	The inspected items meet standard requirements of API Spec 16C 3 <sup>rd</sup> edition				
Remarks					
Approver	Jiaolong Chen	Auditor	Huiling Dong	Inspector	Zhansheng Wang

**LUOHE LETONE HYDRAULICS TECHNOLOGY CO.,LTD**  
**CERTIFICATE OF CONFORMANCE**

**No:LT230826016**

Product Name: Choke And Kill Hose

Product Specification: 3"×10000psi×60ft (18.29m)

Serial Number: 7660143~7660144

End Connections: 4-1/16"×10000psi Integral flange for sour gas service

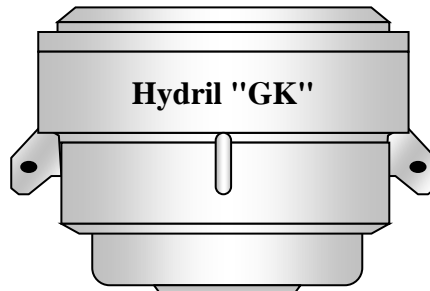
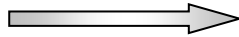
The Choke And Kill Hose assembly was produced by LUOHE LETONE HYDRAULICS TECHNOLOGY CO.,LTD . in Aug 2023, and inspected by LUOHE LETONE HYDRAULICS TECHNOLOGY CO.,LTD. according to API Spec 16C 3<sup>rd</sup> edition on Aug 26, 2023. The overall condition is good. This is to certify that the Choke And Kill Hose complies with all current standards and specifications for API Spec 16C 3<sup>rd</sup> edition .

QC Manager:

*Jianlong Chen*

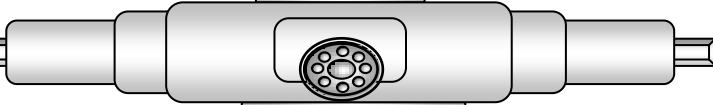
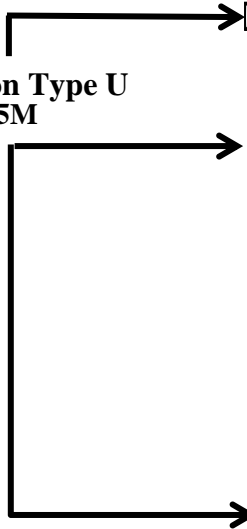
Date:Aug 26, 2023

Hydril "GK"  
13 5/8" 5M

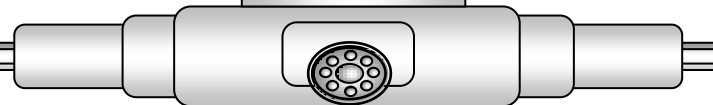


Hydril "GK"

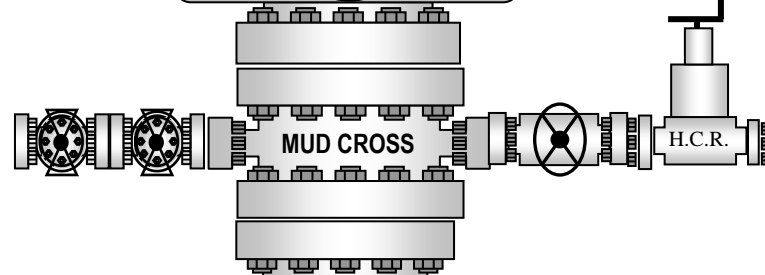
Cameron Type U  
13 5/8" 5M



4 1/2" x 5 7/8" VBR

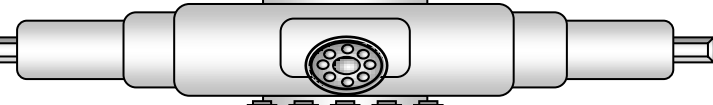


BLIND RAMS



MUD CROSS

H.C.R.

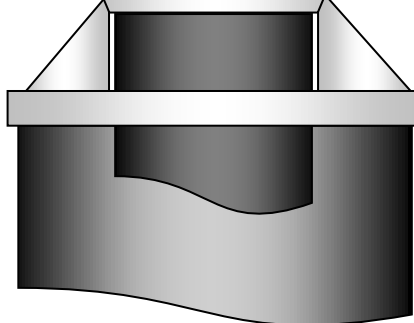


7" RAMS

13 5/8" 5M

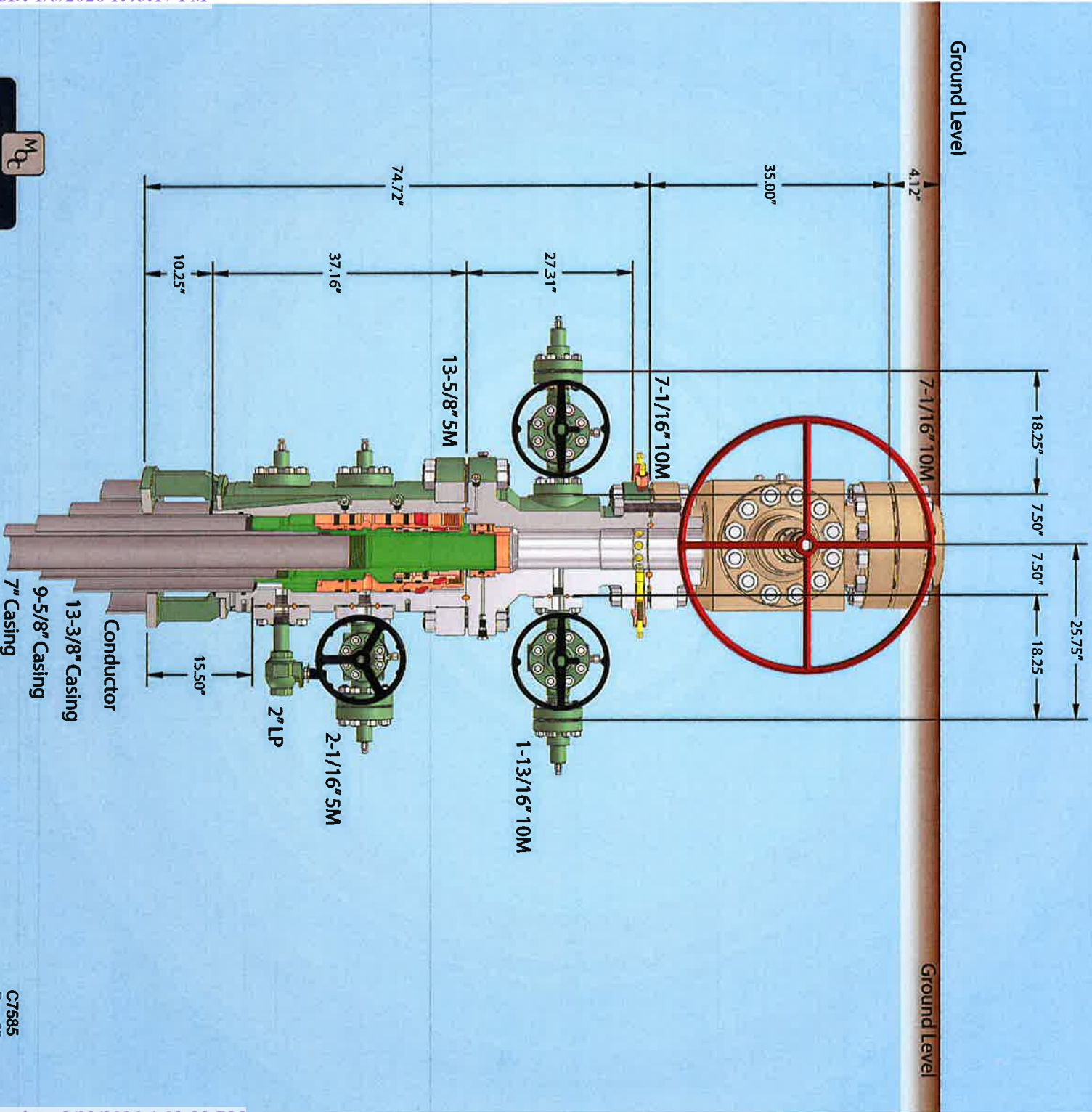
13 5/8" 5M

13 5/8" 5M





# 13-5/8" MN-DS Wellhead System



**MOC**  
MEMBOURNE  
OIL COMPANY

*Log Pressure Change 579' conductor cut-off 79*

NOTE: All dimensions on this drawing are estimated measurements and should be evaluated by engineering.

C7585  
Rev. 02



# API STC

Coupling	Pipe Body
Grade: H40	Grade: H40
Body: -	1st Band: Black
1st Band: Black	2nd Band: -
2nd Band: -	3rd Band: -
3rd Band: -	4th Band: -

Outside Diameter	13.375 in.	Wall Thickness	0.330 in.	Grade	H40
Min. Wall Thickness	87.50 %	Pipe Body Drift	API Standard	Type	Casing
Connection OD Option	Regular				

## Pipe Body Data

Geometry				Performance	
Nominal OD	13.375 in.	Drift	12.559 in.	SMYS	40,000 psi
Wall Thickness	0.330 in.	Plain End Weight	46.02 lb/ft	Min UTS	60,000 psi
Nominal Weight	48 lb/ft	OD Tolerance	API	Body Yield Strength	541 x1000 lb
Nominal ID	12.715 in.			Min. Internal Yield Pressure	1730 psi
				Collapse Pressure	740 psi
				Max. Allowed Bending	14 °/100 ft

## Connection Data

Geometry		Performance		Make-Up Torques	
Thread per In	8	Joint Strength	322 x1000 lb	Minimum Torque	2420 ft-lb
Connection OD	14.375 in.	Coupling Face Load	377 x1000 lb	Optimum Torque	3220 ft-lb
Hand Tight Stand Off	3.500 in.	Internal Pressure Capacity	1730 psi	Maximum Torque	4030 ft-lb

## Notes

For products according to API Standards 5CT & 5B; Performance calculated considering API Technical Report 5C3 (Sections 9 & 10) equations. For geometrical and steel grades combinations not considered in the API Standards 5CT and/or 5B; Performance calculations indirectly derived from API Technical Report 5C3 (Sections 9 & 10) equations. Couplings OD are shown according to current API 5CT 10th Edition.

Tenaris has issued this document for general information only, and the information in this document, including, without limitation, any pictures, drawings or designs ("Information") is not intended to constitute professional or any other type of advice or recommendation and is provided on an "as is" basis. No warranty is given. Tenaris has not independently verified any information—if any—provided by the user in connection with, or for the purpose of, the Information contained hereunder. The use of the Information is at user's own risk and Tenaris does not assume any responsibility or liability of any kind for any loss, damage or injury resulting from, or in connection with any Information contained hereunder or any use thereof. The Information in this document is subject to change or modification without notice. Tenaris's products and services are subject to Tenaris's standard terms and conditions or otherwise to the terms resulting from the respective contracts of sale or services, as the case may be, between petitioner and Tenaris. For more complete information please contact a Tenaris's representative or visit our website at [www.tenaris.com](http://www.tenaris.com). ©Tenaris 2024. All rights reserved.



# API STC

Coupling	Pipe Body
Grade: H40	Grade: H40
Body: -	1st Band: Black
1st Band: Black	2nd Band: -
2nd Band: -	3rd Band: -
3rd Band: -	4th Band: -

Outside Diameter	13.375 in.	Wall Thickness	0.330 in.	Grade	H40
Min. Wall Thickness	87.50 %	Pipe Body Drift	API Standard	Type	Casing
Connection OD Option	Regular				

## Pipe Body Data

Geometry				Performance	
Nominal OD	13.375 in.	Drift	12.559 in.	SMYS	40,000 psi
Wall Thickness	0.330 in.	Plain End Weight	46.02 lb/ft	Min UTS	60,000 psi
Nominal Weight	48 lb/ft	OD Tolerance	API	Body Yield Strength	541 x1000 lb
Nominal ID	12.715 in.			Min. Internal Yield Pressure	1730 psi
				Collapse Pressure	740 psi
				Max. Allowed Bending	14 °/100 ft

## Connection Data

Geometry		Performance		Make-Up Torques	
Thread per In	8	Joint Strength	322 x1000 lb	Minimum Torque	2420 ft-lb
Connection OD	14.375 in.	Coupling Face Load	377 x1000 lb	Optimum Torque	3220 ft-lb
Hand Tight Stand Off	3.500 in.	Internal Pressure Capacity	1730 psi	Maximum Torque	4030 ft-lb

## Notes

For products according to API Standards 5CT & 5B; Performance calculated considering API Technical Report 5C3 (Sections 9 & 10) equations. For geometrical and steel grades combinations not considered in the API Standards 5CT and/or 5B; Performance calculations indirectly derived from API Technical Report 5C3 (Sections 9 & 10) equations. Couplings OD are shown according to current API 5CT 10th Edition.

Tenaris has issued this document for general information only, and the information in this document, including, without limitation, any pictures, drawings or designs ("Information") is not intended to constitute professional or any other type of advice or recommendation and is provided on an "as is" basis. No warranty is given. Tenaris has not independently verified any information—if any—provided by the user in connection with, or for the purpose of, the Information contained hereunder. The use of the Information is at user's own risk and Tenaris does not assume any responsibility or liability of any kind for any loss, damage or injury resulting from, or in connection with any Information contained hereunder or any use thereof. The Information in this document is subject to change or modification without notice. Tenaris's products and services are subject to Tenaris's standard terms and conditions or otherwise to the terms resulting from the respective contracts of sale or services, as the case may be, between petitioner and Tenaris. For more complete information please contact a Tenaris's representative or visit our website at [www.tenaris.com](http://www.tenaris.com). ©Tenaris 2024. All rights reserved.



# API LTC

Coupling	Pipe Body
Grade: J55 (Casing)	Grade: J55 (Casing)
Body: Bright Green	1st Band: Bright Green
1st Band: White	2nd Band: -
2nd Band: -	3rd Band: -
3rd Band: -	4th Band: -

Outside Diameter	9.625 in.	Wall Thickness	0.352 in.	Grade	J55 (Casing)
Min. Wall Thickness	87.50 %	Pipe Body Drift	API Standard	Type	Casing
Connection OD Option	Regular				

## Pipe Body Data

Geometry		Performance	
Nominal OD	9.625 in.	Drift	8.765 in.
Wall Thickness	0.352 in.	Plain End Weight	34.89 lb/ft
Nominal Weight	36 lb/ft	OD Tolerance	API
Nominal ID	8.921 in.		
		SMYS	55,000 psi
		Min UTS	75,000 psi
		Body Yield Strength	564 x1000 lb
		Min. Internal Yield Pressure	3520 psi
		Collapse Pressure	2020 psi
		Max. Allowed Bending	26 °/100 ft

## Connection Data

Geometry		Performance		Make-Up Torques	
Thread per In	8	Joint Strength	453 x1000 lb	Minimum Torque	3400 ft-lb
Connection OD	10.625 in.	Coupling Face Load	433 x1000 lb	Optimum Torque	4530 ft-lb
Hand Tight Stand Off	3.500 in.	Internal Pressure Capacity	3520 psi	Maximum Torque	5660 ft-lb

## Notes

For products according to API Standards 5CT & 5B; Performance calculated considering API Technical Report 5C3 (Sections 9 & 10) equations. For geometrical and steel grades combinations not considered in the API Standards 5CT and/or 5B; Performance calculations indirectly derived from API Technical Report 5C3 (Sections 9 & 10) equations. Couplings OD are shown according to current API 5CT 10th Edition.

Tenaris has issued this document for general information only, and the information in this document, including, without limitation, any pictures, drawings or designs ("Information") is not intended to constitute professional or any other type of advice or recommendation and is provided on an "as is" basis. No warranty is given. Tenaris has not independently verified any information—if any—provided by the user in connection with, or for the purpose of, the Information contained hereunder. The use of the Information is at user's own risk and Tenaris does not assume any responsibility or liability of any kind for any loss, damage or injury resulting from, or in connection with any Information contained hereunder or any use thereof. The Information in this document is subject to change or modification without notice. Tenaris's products and services are subject to Tenaris's standard terms and conditions or otherwise to the terms resulting from the respective contracts of sale or services, as the case may be, between petitioner and Tenaris. For more complete information please contact a Tenaris's representative or visit our website at [www.tenaris.com](http://www.tenaris.com). ©Tenaris 2024. All rights reserved.



# API LTC

Coupling	Pipe Body
Grade: P110	Grade: P110
Body: White	1st Band: White
1st Band: -	2nd Band: -
2nd Band: -	3rd Band: -
3rd Band: -	4th Band: -

Outside Diameter	7.000 in.	Wall Thickness	0.362 in.	Grade	P110
Min. Wall Thickness	87.50 %	Pipe Body Drift	API Standard	Type	Casing
Connection OD Option	Regular				

## Pipe Body Data

Geometry		Performance	
Nominal OD	7.000 in.	Drift	6.151 in.
Wall Thickness	0.362 in.	Plain End Weight	25.69 lb/ft
Nominal Weight	26 lb/ft	OD Tolerance	API
Nominal ID	6.276 in.		
		SMYS	110,000 psi
		Min UTS	125,000 psi
		Body Yield Strength	830 x1000 lb
		Min. Internal Yield Pressure	9960 psi
		Collapse Pressure	6230 psi
		Max. Allowed Bending	72 °/100 ft

## Connection Data

Geometry		Performance		Make-Up Torques	
Thread per In	8	Joint Strength	693 x1000 lb	Minimum Torque	5200 ft-lb
Connection OD	7.875 in.	Coupling Face Load	799 x1000 lb	Optimum Torque	6930 ft-lb
Hand Tight Stand Off	3 in.	Internal Pressure Capacity	9960 psi	Maximum Torque	8660 ft-lb

## Notes

For products according to API Standards 5CT & 5B; Performance calculated considering API Technical Report 5C3 (Sections 9 & 10) equations. For geometrical and steel grades combinations not considered in the API Standards 5CT and/or 5B; Performance calculations indirectly derived from API Technical Report 5C3 (Sections 9 & 10) equations. Couplings OD are shown according to current API 5CT 10th Edition.

Tenaris has issued this document for general information only, and the information in this document, including, without limitation, any pictures, drawings or designs ("Information") is not intended to constitute professional or any other type of advice or recommendation and is provided on an "as is" basis. No warranty is given. Tenaris has not independently verified any information—if any—provided by the user in connection with, or for the purpose of, the Information contained hereunder. The use of the Information is at user's own risk and Tenaris does not assume any responsibility or liability of any kind for any loss, damage or injury resulting from, or in connection with any Information contained hereunder or any use thereof. The Information in this document is subject to change or modification without notice. Tenaris's products and services are subject to Tenaris's standard terms and conditions or otherwise to the terms resulting from the respective contracts of sale or services, as the case may be, between petitioner and Tenaris. For more complete information please contact a Tenaris's representative or visit our website at [www.tenaris.com](http://www.tenaris.com). ©Tenaris 2024. All rights reserved.



# API LTC

Coupling	Pipe Body
Grade: J55 (Casing)	Grade: J55 (Casing)
Body: Bright Green	1st Band: Bright Green
1st Band: White	2nd Band: -
2nd Band: -	3rd Band: -
3rd Band: -	4th Band: -

Outside Diameter	9.625 in.	Wall Thickness	0.395 in.	Grade	J55 (Casing)
Min. Wall Thickness	87.50 %	Pipe Body Drift	API Standard	Type	Casing
Connection OD Option	Regular				

## Pipe Body Data

Geometry		Performance	
Nominal OD	9.625 in.	Drift	8.679 in.
Wall Thickness	0.395 in.	Plain End Weight	38.97 lb/ft
Nominal Weight	40 lb/ft	OD Tolerance	API
Nominal ID	8.835 in.		
		SMYS	55,000 psi
		Min UTS	75,000 psi
		Body Yield Strength	630 x1000 lb
		Min. Internal Yield Pressure	3950 psi
		Collapse Pressure	2570 psi
		Max. Allowed Bending	26 °/100 ft

## Connection Data

Geometry		Performance		Make-Up Torques	
Thread per In	8	Joint Strength	520 x1000 lb	Minimum Torque	3900 ft-lb
Connection OD	10.625 in.	Coupling Face Load	433 x1000 lb	Optimum Torque	5200 ft-lb
Hand Tight Stand Off	3.500 in.	Internal Pressure Capacity	3950 psi	Maximum Torque	6500 ft-lb

## Notes

For products according to API Standards 5CT & 5B; Performance calculated considering API Technical Report 5C3 (Sections 9 & 10) equations. For geometrical and steel grades combinations not considered in the API Standards 5CT and/or 5B; Performance calculations indirectly derived from API Technical Report 5C3 (Sections 9 & 10) equations. Couplings OD are shown according to current API 5CT 10th Edition.

Tenaris has issued this document for general information only, and the information in this document, including, without limitation, any pictures, drawings or designs ("Information") is not intended to constitute professional or any other type of advice or recommendation and is provided on an "as is" basis. No warranty is given. Tenaris has not independently verified any information—if any—provided by the user in connection with, or for the purpose of, the Information contained hereunder. The use of the Information is at user's own risk and Tenaris does not assume any responsibility or liability of any kind for any loss, damage or injury resulting from, or in connection with any Information contained hereunder or any use thereof. The Information in this document is subject to change or modification without notice. Tenaris's products and services are subject to Tenaris's standard terms and conditions or otherwise to the terms resulting from the respective contracts of sale or services, as the case may be, between petitioner and Tenaris. For more complete information please contact a Tenaris's representative or visit our website at [www.tenaris.com](http://www.tenaris.com). ©Tenaris 2024. All rights reserved.

Hydrogen Sulfide Drilling Operations Plan  
**Mewbourne Oil Company**

**1. General Requirements**

Rule 118 does not apply to this well because MOC has researched this area and no high concentrations of H<sub>2</sub>S were found. MOC will have on location and working all H<sub>2</sub>S safety equipment before the Delaware formation for purposes of safety and insurance requirements.

**2. Hydrogen Sulfide Training**

All personnel, whether regularly assigned, contracted, or employed on an unscheduled basis, will have received training from a qualified instructor in the following areas prior to entering the drilling pad area of the well:

1. The hazards and characteristics of hydrogen sulfide gas.
2. The proper use of personal protective equipment and life support systems.
3. The proper use of hydrogen sulfide detectors, alarms, warning systems, briefing areas, evacuation procedures.
4. The proper techniques for first aid and rescue operations.

Additionally, supervisory personnel will be trained in the following areas:

- 1 The effects of hydrogen sulfide on metal components. If high tensile tubular systems are utilized, supervisory personnel will be trained in their special maintenance requirements.
- 2 Corrective action and shut in procedures, blowout prevention, and well control procedures while drilling a well.
- 3 The contents of the Hydrogen Sulfide Drilling Operations Plan.

There will be an initial training session prior to encountering a known hydrogen sulfide source. The initial training session shall include a review of the site specific Hydrogen Sulfide Drilling Operations Plan.

**3. Hydrogen Sulfide Safety Equipment and Systems**

All hydrogen sulfide safety equipment and systems will be installed, tested, and operational prior to drilling below the 9 5/8" intermediate casing.

1. Well Control Equipment
  - A. Choke manifold with minimum of one adjustable choke/remote choke.
  - B. Blowout preventers equipped with blind rams and pipe rams to accommodate all pipe sizes with properly sized closing unit
  - C. Auxiliary equipment including annular type blowout preventer.
2. Protective Equipment for Essential Personnel

Thirty minute self contained work unit located in the dog house and at briefing areas.

Additionally: If H<sub>2</sub>S is encountered in concentrations less than 10 ppm, fans will be placed in work areas to prevent the accumulation of hazardous amounts of poisonous gas. If higher concentrations of H<sub>2</sub>S are detected the well will be shut in and a rotating head, mud/gas separator, remote choke and flare line with igniter will be installed.

- 3. Hydrogen Sulfide Protection and Monitoring Equipment  
Two portable hydrogen sulfide monitors positioned on location for optimum coverage and detection. The units shall have audible sirens to notify personnel when hydrogen sulfide levels exceed 20 PPM.
- 4. Visual Warning Systems
  - A. Wind direction indicators as indicated on the wellsite diagram.
  - B. Caution signs shall be posted on roads providing access to location. Signs shall be painted a high visibility color with lettering of sufficient size to be readable at reasonable distances from potentially contaminated areas.

**4. Mud Program**

The mud program has been designed to minimize the amount of hydrogen sulfide entrained in the mud system. Proper mud weight, safe drilling practices, and the use of hydrogen sulfide scavengers will minimize hazards while drilling the well.

**5. Metallurgy**

All tubular systems, wellheads, blowout preventers, drilling spools, kill lines, choke manifolds, and valves shall be suitable for service in a hydrogen sulfide environment when chemically treated.

**6. Communications**

State & County Officials phone numbers are posted on rig floor and supervisors trailer. Communications in company vehicles and toolpushers are either two way radios or cellular phones.

**7. Well Testing**

Drill stem testing is not an anticipated requirement for evaluation of this well. If a drill stem test is required, it will be conducted with a minimum number of personnel in the immediate vicinity. The test will be conducted during daylight hours only.

**8. Emergency Phone Numbers**

<b>Eddy County Sheriff's Office</b>	<b>911 or 575-887-7551</b>
<b>Ambulance Service</b>	<b>911 or 575-885-2111</b>
<b>Carlsbad Fire Dept</b>	<b>911 or 575-885-2111</b>
<b>Loco Hills Volunteer Fire Dept.</b>	<b>911 or 575-677-3266</b>
<b>Closest Medical Facility - Columbia Medical Center of Carlsbad</b>	<b>575-492-5000</b>

<b>Mewbourne Oil Company</b>	<b>Hobbs District Office</b>	<b>575-393-5905</b>
	<b>Fax</b>	<b>575-397-6252</b>
	<b>2<sup>nd</sup> Fax</b>	<b>575-393-7259</b>

<b>District Manager</b>	<b>Robin Terrell</b>	<b>575-390-4816</b>
<b>Drilling Superintendent</b>	<b>Frosty Lathan</b>	<b>575-390-4103</b>
	<b>Bradley Bishop</b>	<b>575-390-6838</b>
<b>Drilling Foreman</b>	<b>Wesley Noseff</b>	<b>575-441-0729</b>

# **Mewbourne Oil Company**

**Eddy County, New Mexico NAD 83**

**Forty Niner Ridge Unit Com #157H**

**Sec 16, T23S, R30E**

**SHL: 2515' FSL & 2220' FEL (Sec 16)**

**BHL: 100' FNL & 1430' FEL (Sec 4)**

**Plan: Design #1**

## **Standard Planning Report**

**11 September, 2025**

Planning Report

<b>Database:</b>	Hobbs	<b>Local Co-ordinate Reference:</b>	Site Forty Niner Ridge Unit Com #157H
<b>Company:</b>	Mewbourne Oil Company	<b>TVD Reference:</b>	WELL @ 3184.0usft (Original Well Elev)
<b>Project:</b>	Eddy County, New Mexico NAD 83	<b>MD Reference:</b>	WELL @ 3184.0usft (Original Well Elev)
<b>Site:</b>	Forty Niner Ridge Unit Com #157H	<b>North Reference:</b>	Grid
<b>Well:</b>	Sec 16, T23S, R30E	<b>Survey Calculation Method:</b>	Minimum Curvature
<b>Wellbore:</b>	BHL: 100' FNL & 1430' FEL (Sec 4)		
<b>Design:</b>	Design #1		

<b>Project</b>	Eddy County, New Mexico NAD 83		
<b>Map System:</b>	US State Plane 1983	<b>System Datum:</b>	Ground Level
<b>Geo Datum:</b>	North American Datum 1983		
<b>Map Zone:</b>	New Mexico Eastern Zone		

<b>Site</b>	Forty Niner Ridge Unit Com #157H				
<b>Site Position:</b>		<b>Northing:</b>	474,871.70 usft	<b>Latitude:</b>	32.3046987
<b>From:</b>	Map	<b>Easting:</b>	679,907.90 usft	<b>Longitude:</b>	-103.8848272
<b>Position Uncertainty:</b>	0.0 usft	<b>Slot Radius:</b>	13-3/16 "		

<b>Well</b>	Sec 16, T23S, R30E					
<b>Well Position</b>	<b>+N-S</b>	0.0 usft	<b>Northing:</b>	474,871.70 usft	<b>Latitude:</b>	32.3046987
	<b>+E-W</b>	0.0 usft	<b>Easting:</b>	679,907.90 usft	<b>Longitude:</b>	-103.8848272
<b>Position Uncertainty</b>		0.0 usft	<b>Wellhead Elevation:</b>	3,184.0 usft	<b>Ground Level:</b>	3,156.0 usft
<b>Grid Convergence:</b>	0.24 °					

<b>Wellbore</b>	BHL: 100' FNL & 1430' FEL (Sec 4)				
<b>Magnetics</b>	<b>Model Name</b>	<b>Sample Date</b>	<b>Declination (°)</b>	<b>Dip Angle (°)</b>	<b>Field Strength (nT)</b>
	IGRF2010	12/31/2014	7.30	60.12	48,253.63900680

<b>Design</b>	Design #1			
<b>Audit Notes:</b>				
<b>Version:</b>	<b>Phase:</b>	PROTOTYPE	<b>Tie On Depth:</b>	0.0
<b>Vertical Section:</b>	<b>Depth From (TVD) (usft)</b>	<b>+N-S (usft)</b>	<b>+E-W (usft)</b>	<b>Direction (°)</b>
	0.0	0.0	0.0	3.21

<b>Plan Survey Tool Program</b>	<b>Date</b>	9/11/2025		
<b>Depth From (usft)</b>	<b>Depth To (usft)</b>	<b>Survey (Wellbore)</b>	<b>Tool Name</b>	<b>Remarks</b>
1	0.0	23,444.7	Design #1 (BHL: 100' FNL & 1430	

<b>Plan Sections</b>										
<b>Measured Depth (usft)</b>	<b>Inclination (°)</b>	<b>Azimuth (°)</b>	<b>Vertical Depth (usft)</b>	<b>+N-S (usft)</b>	<b>+E-W (usft)</b>	<b>Dogleg Rate (°/100usft)</b>	<b>Build Rate (°/100usft)</b>	<b>Turn Rate (°/100usft)</b>	<b>TFO (°)</b>	<b>Target</b>
0.0	0.00	0.00	0.0	0.0	0.0	0.00	0.00	0.00	0.00	
1,207.0	0.00	0.00	1,207.0	0.0	0.0	0.00	0.00	0.00	0.00	
1,515.2	6.16	113.07	1,514.6	-6.5	15.2	2.00	2.00	0.00	113.07	
9,208.5	6.16	113.07	9,163.4	-330.2	775.3	0.00	0.00	0.00	0.00	
9,516.7	0.00	0.00	9,471.0	-336.7	790.5	2.00	-2.00	0.00	180.00	KOP: 2180' FSL & 14:
10,417.2	90.04	359.81	10,044.0	236.7	788.6	10.00	10.00	0.00	-0.19	
23,444.7	90.04	359.81	10,034.0	13,264.2	744.7	0.00	0.00	0.00	0.00	BHL: 100' FNL & 1430

Planning Report

<b>Database:</b>	Hobbs	<b>Local Co-ordinate Reference:</b>	Site Forty Niner Ridge Unit Com #157H
<b>Company:</b>	Mewbourne Oil Company	<b>TVD Reference:</b>	WELL @ 3184.0usft (Original Well Elev)
<b>Project:</b>	Eddy County, New Mexico NAD 83	<b>MD Reference:</b>	WELL @ 3184.0usft (Original Well Elev)
<b>Site:</b>	Forty Niner Ridge Unit Com #157H	<b>North Reference:</b>	Grid
<b>Well:</b>	Sec 16, T23S, R30E	<b>Survey Calculation Method:</b>	Minimum Curvature
<b>Wellbore:</b>	BHL: 100' FNL & 1430' FEL (Sec 4)		
<b>Design:</b>	Design #1		

Planned Survey									
Measured Depth (usft)	Inclination (°)	Azimuth (°)	Vertical Depth (usft)	+N/-S (usft)	+E/-W (usft)	Vertical Section (usft)	Dogleg Rate (°/100usft)	Build Rate (°/100usft)	Turn Rate (°/100usft)
0.0	0.00	0.00	0.0	0.0	0.0	0.0	0.00	0.00	0.00
<b>SHL: 2515' FSL &amp; 2220' FEL (Sec 16)</b>									
50.0	0.00	0.00	50.0	0.0	0.0	0.0	0.00	0.00	0.00
100.0	0.00	0.00	100.0	0.0	0.0	0.0	0.00	0.00	0.00
150.0	0.00	0.00	150.0	0.0	0.0	0.0	0.00	0.00	0.00
200.0	0.00	0.00	200.0	0.0	0.0	0.0	0.00	0.00	0.00
250.0	0.00	0.00	250.0	0.0	0.0	0.0	0.00	0.00	0.00
300.0	0.00	0.00	300.0	0.0	0.0	0.0	0.00	0.00	0.00
350.0	0.00	0.00	350.0	0.0	0.0	0.0	0.00	0.00	0.00
400.0	0.00	0.00	400.0	0.0	0.0	0.0	0.00	0.00	0.00
450.0	0.00	0.00	450.0	0.0	0.0	0.0	0.00	0.00	0.00
500.0	0.00	0.00	500.0	0.0	0.0	0.0	0.00	0.00	0.00
550.0	0.00	0.00	550.0	0.0	0.0	0.0	0.00	0.00	0.00
600.0	0.00	0.00	600.0	0.0	0.0	0.0	0.00	0.00	0.00
650.0	0.00	0.00	650.0	0.0	0.0	0.0	0.00	0.00	0.00
700.0	0.00	0.00	700.0	0.0	0.0	0.0	0.00	0.00	0.00
750.0	0.00	0.00	750.0	0.0	0.0	0.0	0.00	0.00	0.00
800.0	0.00	0.00	800.0	0.0	0.0	0.0	0.00	0.00	0.00
850.0	0.00	0.00	850.0	0.0	0.0	0.0	0.00	0.00	0.00
900.0	0.00	0.00	900.0	0.0	0.0	0.0	0.00	0.00	0.00
950.0	0.00	0.00	950.0	0.0	0.0	0.0	0.00	0.00	0.00
1,000.0	0.00	0.00	1,000.0	0.0	0.0	0.0	0.00	0.00	0.00
1,050.0	0.00	0.00	1,050.0	0.0	0.0	0.0	0.00	0.00	0.00
1,100.0	0.00	0.00	1,100.0	0.0	0.0	0.0	0.00	0.00	0.00
1,150.0	0.00	0.00	1,150.0	0.0	0.0	0.0	0.00	0.00	0.00
1,200.0	0.00	0.00	1,200.0	0.0	0.0	0.0	0.00	0.00	0.00
1,207.0	0.00	0.00	1,207.0	0.0	0.0	0.0	0.00	0.00	0.00
1,250.0	0.86	113.07	1,250.0	-0.1	0.3	-0.1	2.00	2.00	0.00
1,300.0	1.86	113.07	1,300.0	-0.6	1.4	-0.5	2.00	2.00	0.00
1,350.0	2.86	113.07	1,349.9	-1.4	3.3	-1.2	2.00	2.00	0.00
1,400.0	3.86	113.07	1,399.9	-2.5	6.0	-2.2	2.00	2.00	0.00
1,450.0	4.86	113.07	1,449.7	-4.0	9.5	-3.5	2.00	2.00	0.00
1,500.0	5.86	113.07	1,499.5	-5.9	13.8	-5.1	2.00	2.00	0.00
1,515.2	6.16	113.07	1,514.6	-6.5	15.2	-5.6	2.00	2.00	0.00
1,550.0	6.16	113.07	1,549.2	-8.0	18.7	-6.9	0.00	0.00	0.00
1,600.0	6.16	113.07	1,598.9	-10.1	23.6	-8.7	0.00	0.00	0.00
1,650.0	6.16	113.07	1,648.6	-12.2	28.6	-10.5	0.00	0.00	0.00
1,700.0	6.16	113.07	1,698.3	-14.3	33.5	-12.4	0.00	0.00	0.00
1,750.0	6.16	113.07	1,748.0	-16.4	38.4	-14.2	0.00	0.00	0.00
1,800.0	6.16	113.07	1,797.8	-18.5	43.4	-16.0	0.00	0.00	0.00
1,850.0	6.16	113.07	1,847.5	-20.6	48.3	-17.8	0.00	0.00	0.00
1,900.0	6.16	113.07	1,897.2	-22.7	53.3	-19.7	0.00	0.00	0.00
1,950.0	6.16	113.07	1,946.9	-24.8	58.2	-21.5	0.00	0.00	0.00
2,000.0	6.16	113.07	1,996.6	-26.9	63.1	-23.3	0.00	0.00	0.00
2,050.0	6.16	113.07	2,046.3	-29.0	68.1	-25.1	0.00	0.00	0.00
2,100.0	6.16	113.07	2,096.0	-31.1	73.0	-27.0	0.00	0.00	0.00
2,150.0	6.16	113.07	2,145.7	-33.2	78.0	-28.8	0.00	0.00	0.00
2,200.0	6.16	113.07	2,195.4	-35.3	82.9	-30.6	0.00	0.00	0.00
2,250.0	6.16	113.07	2,245.2	-37.4	87.8	-32.4	0.00	0.00	0.00
2,300.0	6.16	113.07	2,294.9	-39.5	92.8	-34.3	0.00	0.00	0.00
2,350.0	6.16	113.07	2,344.6	-41.6	97.7	-36.1	0.00	0.00	0.00
2,400.0	6.16	113.07	2,394.3	-43.7	102.6	-37.9	0.00	0.00	0.00
2,450.0	6.16	113.07	2,444.0	-45.8	107.6	-39.7	0.00	0.00	0.00
2,500.0	6.16	113.07	2,493.7	-47.9	112.5	-41.5	0.00	0.00	0.00

Planning Report

<b>Database:</b>	Hobbs	<b>Local Co-ordinate Reference:</b>	Site Forty Niner Ridge Unit Com #157H
<b>Company:</b>	Mewbourne Oil Company	<b>TVD Reference:</b>	WELL @ 3184.0usft (Original Well Elev)
<b>Project:</b>	Eddy County, New Mexico NAD 83	<b>MD Reference:</b>	WELL @ 3184.0usft (Original Well Elev)
<b>Site:</b>	Forty Niner Ridge Unit Com #157H	<b>North Reference:</b>	Grid
<b>Well:</b>	Sec 16, T23S, R30E	<b>Survey Calculation Method:</b>	Minimum Curvature
<b>Wellbore:</b>	BHL: 100' FNL & 1430' FEL (Sec 4)		
<b>Design:</b>	Design #1		

Planned Survey									
Measured Depth (usft)	Inclination (°)	Azimuth (°)	Vertical Depth (usft)	+N/-S (usft)	+E/-W (usft)	Vertical Section (usft)	Dogleg Rate (°/100usft)	Build Rate (°/100usft)	Turn Rate (°/100usft)
2,550.0	6.16	113.07	2,543.4	-50.0	117.5	-43.4	0.00	0.00	0.00
2,600.0	6.16	113.07	2,593.1	-52.1	122.4	-45.2	0.00	0.00	0.00
2,650.0	6.16	113.07	2,642.8	-54.2	127.3	-47.0	0.00	0.00	0.00
2,700.0	6.16	113.07	2,692.6	-56.3	132.3	-48.8	0.00	0.00	0.00
2,750.0	6.16	113.07	2,742.3	-58.4	137.2	-50.7	0.00	0.00	0.00
2,800.0	6.16	113.07	2,792.0	-60.6	142.2	-52.5	0.00	0.00	0.00
2,850.0	6.16	113.07	2,841.7	-62.7	147.1	-54.3	0.00	0.00	0.00
2,900.0	6.16	113.07	2,891.4	-64.8	152.0	-56.1	0.00	0.00	0.00
2,950.0	6.16	113.07	2,941.1	-66.9	157.0	-58.0	0.00	0.00	0.00
3,000.0	6.16	113.07	2,990.8	-69.0	161.9	-59.8	0.00	0.00	0.00
3,050.0	6.16	113.07	3,040.5	-71.1	166.9	-61.6	0.00	0.00	0.00
3,100.0	6.16	113.07	3,090.2	-73.2	171.8	-63.4	0.00	0.00	0.00
3,150.0	6.16	113.07	3,140.0	-75.3	176.7	-65.3	0.00	0.00	0.00
3,200.0	6.16	113.07	3,189.7	-77.4	181.7	-67.1	0.00	0.00	0.00
3,250.0	6.16	113.07	3,239.4	-79.5	186.6	-68.9	0.00	0.00	0.00
3,300.0	6.16	113.07	3,289.1	-81.6	191.6	-70.7	0.00	0.00	0.00
3,350.0	6.16	113.07	3,338.8	-83.7	196.5	-72.5	0.00	0.00	0.00
3,400.0	6.16	113.07	3,388.5	-85.8	201.4	-74.4	0.00	0.00	0.00
3,450.0	6.16	113.07	3,438.2	-87.9	206.4	-76.2	0.00	0.00	0.00
3,500.0	6.16	113.07	3,487.9	-90.0	211.3	-78.0	0.00	0.00	0.00
3,550.0	6.16	113.07	3,537.6	-92.1	216.3	-79.8	0.00	0.00	0.00
3,600.0	6.16	113.07	3,587.4	-94.2	221.2	-81.7	0.00	0.00	0.00
3,650.0	6.16	113.07	3,637.1	-96.3	226.1	-83.5	0.00	0.00	0.00
3,700.0	6.16	113.07	3,686.8	-98.4	231.1	-85.3	0.00	0.00	0.00
3,750.0	6.16	113.07	3,736.5	-100.5	236.0	-87.1	0.00	0.00	0.00
3,800.0	6.16	113.07	3,786.2	-102.6	241.0	-89.0	0.00	0.00	0.00
3,850.0	6.16	113.07	3,835.9	-104.7	245.9	-90.8	0.00	0.00	0.00
3,900.0	6.16	113.07	3,885.6	-106.8	250.8	-92.6	0.00	0.00	0.00
3,950.0	6.16	113.07	3,935.3	-108.9	255.8	-94.4	0.00	0.00	0.00
4,000.0	6.16	113.07	3,985.0	-111.0	260.7	-96.3	0.00	0.00	0.00
4,050.0	6.16	113.07	4,034.8	-113.2	265.7	-98.1	0.00	0.00	0.00
4,100.0	6.16	113.07	4,084.5	-115.3	270.6	-99.9	0.00	0.00	0.00
4,150.0	6.16	113.07	4,134.2	-117.4	275.5	-101.7	0.00	0.00	0.00
4,200.0	6.16	113.07	4,183.9	-119.5	280.5	-103.6	0.00	0.00	0.00
4,250.0	6.16	113.07	4,233.6	-121.6	285.4	-105.4	0.00	0.00	0.00
4,300.0	6.16	113.07	4,283.3	-123.7	290.4	-107.2	0.00	0.00	0.00
4,350.0	6.16	113.07	4,333.0	-125.8	295.3	-109.0	0.00	0.00	0.00
4,400.0	6.16	113.07	4,382.7	-127.9	300.2	-110.8	0.00	0.00	0.00
4,450.0	6.16	113.07	4,432.4	-130.0	305.2	-112.7	0.00	0.00	0.00
4,500.0	6.16	113.07	4,482.1	-132.1	310.1	-114.5	0.00	0.00	0.00
4,550.0	6.16	113.07	4,531.9	-134.2	315.0	-116.3	0.00	0.00	0.00
4,600.0	6.16	113.07	4,581.6	-136.3	320.0	-118.1	0.00	0.00	0.00
4,650.0	6.16	113.07	4,631.3	-138.4	324.9	-120.0	0.00	0.00	0.00
4,700.0	6.16	113.07	4,681.0	-140.5	329.9	-121.8	0.00	0.00	0.00
4,750.0	6.16	113.07	4,730.7	-142.6	334.8	-123.6	0.00	0.00	0.00
4,800.0	6.16	113.07	4,780.4	-144.7	339.7	-125.4	0.00	0.00	0.00
4,850.0	6.16	113.07	4,830.1	-146.8	344.7	-127.3	0.00	0.00	0.00
4,900.0	6.16	113.07	4,879.8	-148.9	349.6	-129.1	0.00	0.00	0.00
4,950.0	6.16	113.07	4,929.5	-151.0	354.6	-130.9	0.00	0.00	0.00
5,000.0	6.16	113.07	4,979.3	-153.1	359.5	-132.7	0.00	0.00	0.00
5,050.0	6.16	113.07	5,029.0	-155.2	364.4	-134.6	0.00	0.00	0.00
5,100.0	6.16	113.07	5,078.7	-157.3	369.4	-136.4	0.00	0.00	0.00
5,150.0	6.16	113.07	5,128.4	-159.4	374.3	-138.2	0.00	0.00	0.00
5,200.0	6.16	113.07	5,178.1	-161.5	379.3	-140.0	0.00	0.00	0.00

Planning Report

<b>Database:</b>	Hobbs	<b>Local Co-ordinate Reference:</b>	Site Forty Niner Ridge Unit Com #157H
<b>Company:</b>	Mewbourne Oil Company	<b>TVD Reference:</b>	WELL @ 3184.0usft (Original Well Elev)
<b>Project:</b>	Eddy County, New Mexico NAD 83	<b>MD Reference:</b>	WELL @ 3184.0usft (Original Well Elev)
<b>Site:</b>	Forty Niner Ridge Unit Com #157H	<b>North Reference:</b>	Grid
<b>Well:</b>	Sec 16, T23S, R30E	<b>Survey Calculation Method:</b>	Minimum Curvature
<b>Wellbore:</b>	BHL: 100' FNL & 1430' FEL (Sec 4)		
<b>Design:</b>	Design #1		

Planned Survey										
Measured Depth (usft)	Inclination (°)	Azimuth (°)	Vertical Depth (usft)	+N/-S (usft)	+E/-W (usft)	Vertical Section (usft)	Dogleg Rate (°/100usft)	Build Rate (°/100usft)	Turn Rate (°/100usft)	
5,250.0	6.16	113.07	5,227.8	-163.6	384.2	-141.9	0.00	0.00	0.00	
5,300.0	6.16	113.07	5,277.5	-165.7	389.1	-143.7	0.00	0.00	0.00	
5,350.0	6.16	113.07	5,327.2	-167.9	394.1	-145.5	0.00	0.00	0.00	
5,400.0	6.16	113.07	5,376.9	-170.0	399.0	-147.3	0.00	0.00	0.00	
5,450.0	6.16	113.07	5,426.7	-172.1	404.0	-149.1	0.00	0.00	0.00	
5,500.0	6.16	113.07	5,476.4	-174.2	408.9	-151.0	0.00	0.00	0.00	
5,550.0	6.16	113.07	5,526.1	-176.3	413.8	-152.8	0.00	0.00	0.00	
5,600.0	6.16	113.07	5,575.8	-178.4	418.8	-154.6	0.00	0.00	0.00	
5,650.0	6.16	113.07	5,625.5	-180.5	423.7	-156.4	0.00	0.00	0.00	
5,700.0	6.16	113.07	5,675.2	-182.6	428.7	-158.3	0.00	0.00	0.00	
5,750.0	6.16	113.07	5,724.9	-184.7	433.6	-160.1	0.00	0.00	0.00	
5,800.0	6.16	113.07	5,774.6	-186.8	438.5	-161.9	0.00	0.00	0.00	
5,850.0	6.16	113.07	5,824.3	-188.9	443.5	-163.7	0.00	0.00	0.00	
5,900.0	6.16	113.07	5,874.1	-191.0	448.4	-165.6	0.00	0.00	0.00	
5,950.0	6.16	113.07	5,923.8	-193.1	453.4	-167.4	0.00	0.00	0.00	
6,000.0	6.16	113.07	5,973.5	-195.2	458.3	-169.2	0.00	0.00	0.00	
6,050.0	6.16	113.07	6,023.2	-197.3	463.2	-171.0	0.00	0.00	0.00	
6,100.0	6.16	113.07	6,072.9	-199.4	468.2	-172.9	0.00	0.00	0.00	
6,150.0	6.16	113.07	6,122.6	-201.5	473.1	-174.7	0.00	0.00	0.00	
6,200.0	6.16	113.07	6,172.3	-203.6	478.1	-176.5	0.00	0.00	0.00	
6,250.0	6.16	113.07	6,222.0	-205.7	483.0	-178.3	0.00	0.00	0.00	
6,300.0	6.16	113.07	6,271.7	-207.8	487.9	-180.1	0.00	0.00	0.00	
6,350.0	6.16	113.07	6,321.5	-209.9	492.9	-182.0	0.00	0.00	0.00	
6,400.0	6.16	113.07	6,371.2	-212.0	497.8	-183.8	0.00	0.00	0.00	
6,450.0	6.16	113.07	6,420.9	-214.1	502.8	-185.6	0.00	0.00	0.00	
6,500.0	6.16	113.07	6,470.6	-216.2	507.7	-187.4	0.00	0.00	0.00	
6,550.0	6.16	113.07	6,520.3	-218.3	512.6	-189.3	0.00	0.00	0.00	
6,600.0	6.16	113.07	6,570.0	-220.4	517.6	-191.1	0.00	0.00	0.00	
6,650.0	6.16	113.07	6,619.7	-222.6	522.5	-192.9	0.00	0.00	0.00	
6,700.0	6.16	113.07	6,669.4	-224.7	527.4	-194.7	0.00	0.00	0.00	
6,750.0	6.16	113.07	6,719.1	-226.8	532.4	-196.6	0.00	0.00	0.00	
6,800.0	6.16	113.07	6,768.8	-228.9	537.3	-198.4	0.00	0.00	0.00	
6,850.0	6.16	113.07	6,818.6	-231.0	542.3	-200.2	0.00	0.00	0.00	
6,900.0	6.16	113.07	6,868.3	-233.1	547.2	-202.0	0.00	0.00	0.00	
6,950.0	6.16	113.07	6,918.0	-235.2	552.1	-203.9	0.00	0.00	0.00	
7,000.0	6.16	113.07	6,967.7	-237.3	557.1	-205.7	0.00	0.00	0.00	
7,050.0	6.16	113.07	7,017.4	-239.4	562.0	-207.5	0.00	0.00	0.00	
7,100.0	6.16	113.07	7,067.1	-241.5	567.0	-209.3	0.00	0.00	0.00	
7,150.0	6.16	113.07	7,116.8	-243.6	571.9	-211.2	0.00	0.00	0.00	
7,200.0	6.16	113.07	7,166.5	-245.7	576.8	-213.0	0.00	0.00	0.00	
7,250.0	6.16	113.07	7,216.2	-247.8	581.8	-214.8	0.00	0.00	0.00	
7,300.0	6.16	113.07	7,266.0	-249.9	586.7	-216.6	0.00	0.00	0.00	
7,350.0	6.16	113.07	7,315.7	-252.0	591.7	-218.4	0.00	0.00	0.00	
7,400.0	6.16	113.07	7,365.4	-254.1	596.6	-220.3	0.00	0.00	0.00	
7,450.0	6.16	113.07	7,415.1	-256.2	601.5	-222.1	0.00	0.00	0.00	
7,500.0	6.16	113.07	7,464.8	-258.3	606.5	-223.9	0.00	0.00	0.00	
7,550.0	6.16	113.07	7,514.5	-260.4	611.4	-225.7	0.00	0.00	0.00	
7,600.0	6.16	113.07	7,564.2	-262.5	616.4	-227.6	0.00	0.00	0.00	
7,650.0	6.16	113.07	7,613.9	-264.6	621.3	-229.4	0.00	0.00	0.00	
7,700.0	6.16	113.07	7,663.6	-266.7	626.2	-231.2	0.00	0.00	0.00	
7,750.0	6.16	113.07	7,713.4	-268.8	631.2	-233.0	0.00	0.00	0.00	
7,800.0	6.16	113.07	7,763.1	-270.9	636.1	-234.9	0.00	0.00	0.00	
7,850.0	6.16	113.07	7,812.8	-273.0	641.1	-236.7	0.00	0.00	0.00	
7,900.0	6.16	113.07	7,862.5	-275.2	646.0	-238.5	0.00	0.00	0.00	

Planning Report

<b>Database:</b>	Hobbs	<b>Local Co-ordinate Reference:</b>	Site Forty Niner Ridge Unit Com #157H
<b>Company:</b>	Mewbourne Oil Company	<b>TVD Reference:</b>	WELL @ 3184.0usft (Original Well Elev)
<b>Project:</b>	Eddy County, New Mexico NAD 83	<b>MD Reference:</b>	WELL @ 3184.0usft (Original Well Elev)
<b>Site:</b>	Forty Niner Ridge Unit Com #157H	<b>North Reference:</b>	Grid
<b>Well:</b>	Sec 16, T23S, R30E	<b>Survey Calculation Method:</b>	Minimum Curvature
<b>Wellbore:</b>	BHL: 100' FNL & 1430' FEL (Sec 4)		
<b>Design:</b>	Design #1		

Planned Survey										
Measured Depth (usft)	Inclination (°)	Azimuth (°)	Vertical Depth (usft)	+N/-S (usft)	+E/-W (usft)	Vertical Section (usft)	Dogleg Rate (°/100usft)	Build Rate (°/100usft)	Turn Rate (°/100usft)	
7,950.0	6.16	113.07	7,912.2	-277.3	650.9	-240.3	0.00	0.00	0.00	
8,000.0	6.16	113.07	7,961.9	-279.4	655.9	-242.2	0.00	0.00	0.00	
8,050.0	6.16	113.07	8,011.6	-281.5	660.8	-244.0	0.00	0.00	0.00	
8,100.0	6.16	113.07	8,061.3	-283.6	665.8	-245.8	0.00	0.00	0.00	
8,150.0	6.16	113.07	8,111.0	-285.7	670.7	-247.6	0.00	0.00	0.00	
8,200.0	6.16	113.07	8,160.8	-287.8	675.6	-249.4	0.00	0.00	0.00	
8,250.0	6.16	113.07	8,210.5	-289.9	680.6	-251.3	0.00	0.00	0.00	
8,300.0	6.16	113.07	8,260.2	-292.0	685.5	-253.1	0.00	0.00	0.00	
8,350.0	6.16	113.07	8,309.9	-294.1	690.5	-254.9	0.00	0.00	0.00	
8,400.0	6.16	113.07	8,359.6	-296.2	695.4	-256.7	0.00	0.00	0.00	
8,450.0	6.16	113.07	8,409.3	-298.3	700.3	-258.6	0.00	0.00	0.00	
8,500.0	6.16	113.07	8,459.0	-300.4	705.3	-260.4	0.00	0.00	0.00	
8,550.0	6.16	113.07	8,508.7	-302.5	710.2	-262.2	0.00	0.00	0.00	
8,600.0	6.16	113.07	8,558.4	-304.6	715.2	-264.0	0.00	0.00	0.00	
8,650.0	6.16	113.07	8,608.2	-306.7	720.1	-265.9	0.00	0.00	0.00	
8,700.0	6.16	113.07	8,657.9	-308.8	725.0	-267.7	0.00	0.00	0.00	
8,750.0	6.16	113.07	8,707.6	-310.9	730.0	-269.5	0.00	0.00	0.00	
8,800.0	6.16	113.07	8,757.3	-313.0	734.9	-271.3	0.00	0.00	0.00	
8,850.0	6.16	113.07	8,807.0	-315.1	739.8	-273.2	0.00	0.00	0.00	
8,900.0	6.16	113.07	8,856.7	-317.2	744.8	-275.0	0.00	0.00	0.00	
8,950.0	6.16	113.07	8,906.4	-319.3	749.7	-276.8	0.00	0.00	0.00	
9,000.0	6.16	113.07	8,956.1	-321.4	754.7	-278.6	0.00	0.00	0.00	
9,050.0	6.16	113.07	9,005.8	-323.5	759.6	-280.5	0.00	0.00	0.00	
9,100.0	6.16	113.07	9,055.6	-325.6	764.5	-282.3	0.00	0.00	0.00	
9,150.0	6.16	113.07	9,105.3	-327.7	769.5	-284.1	0.00	0.00	0.00	
9,200.0	6.16	113.07	9,155.0	-329.9	774.4	-285.9	0.00	0.00	0.00	
9,208.5	6.16	113.07	9,163.4	-330.2	775.3	-286.2	0.00	0.00	0.00	
9,250.0	5.33	113.07	9,204.7	-331.8	779.1	-287.6	2.00	-2.00	0.00	
9,300.0	4.33	113.07	9,254.5	-333.5	783.0	-289.1	2.00	-2.00	0.00	
9,350.0	3.33	113.07	9,304.4	-334.8	786.0	-290.2	2.00	-2.00	0.00	
9,400.0	2.33	113.07	9,354.4	-335.8	788.3	-291.1	2.00	-2.00	0.00	
9,450.0	1.33	113.07	9,404.3	-336.4	789.8	-291.6	2.00	-2.00	0.00	
9,500.0	0.33	113.07	9,454.3	-336.7	790.5	-291.8	2.00	-2.00	0.00	
9,516.7	0.00	0.00	9,471.0	-336.7	790.5	-291.9	2.00	-2.00	0.00	
<b>KOP: 2180' FSL &amp; 1430' FEL (Sec 16)</b>										
9,550.0	3.33	359.81	9,504.3	-335.7	790.5	-290.9	10.00	10.00	0.00	
9,600.0	8.33	359.81	9,554.0	-330.7	790.5	-285.8	10.00	10.00	0.00	
9,650.0	13.33	359.81	9,603.1	-321.3	790.4	-276.4	10.00	10.00	0.00	
9,700.0	18.33	359.81	9,651.2	-307.6	790.4	-262.8	10.00	10.00	0.00	
9,750.0	23.33	359.81	9,697.9	-289.8	790.3	-245.1	10.00	10.00	0.00	
9,800.0	28.33	359.81	9,742.9	-268.1	790.3	-223.3	10.00	10.00	0.00	
9,850.0	33.33	359.81	9,785.8	-242.5	790.2	-197.8	10.00	10.00	0.00	
9,900.0	38.33	359.81	9,826.4	-213.2	790.1	-168.6	10.00	10.00	0.00	
9,950.0	43.33	359.81	9,864.2	-180.5	790.0	-135.9	10.00	10.00	0.00	
10,000.0	48.33	359.81	9,899.0	-144.7	789.9	-100.2	10.00	10.00	0.00	
10,050.0	53.33	359.81	9,930.6	-105.9	789.7	-61.5	10.00	10.00	0.00	
10,100.0	58.33	359.81	9,958.7	-64.6	789.6	-20.2	10.00	10.00	0.00	
10,150.0	63.33	359.81	9,983.0	-20.9	789.4	23.4	10.00	10.00	0.00	
10,200.0	68.33	359.81	10,003.5	24.7	789.3	68.9	10.00	10.00	0.00	
10,250.0	73.33	359.81	10,019.9	71.9	789.1	116.0	10.00	10.00	0.00	
10,300.0	78.33	359.81	10,032.1	120.4	789.0	164.4	10.00	10.00	0.00	
10,350.0	83.33	359.81	10,040.1	169.7	788.8	213.7	10.00	10.00	0.00	
10,400.0	88.33	359.81	10,043.8	219.6	788.6	263.4	10.00	10.00	0.00	
10,416.6	89.99	359.81	10,044.0	236.2	788.6	280.0	10.00	10.00	0.00	

Planning Report

<b>Database:</b>	Hobbs	<b>Local Co-ordinate Reference:</b>	Site Forty Niner Ridge Unit Com #157H
<b>Company:</b>	Mewbourne Oil Company	<b>TVD Reference:</b>	WELL @ 3184.0usft (Original Well Elev)
<b>Project:</b>	Eddy County, New Mexico NAD 83	<b>MD Reference:</b>	WELL @ 3184.0usft (Original Well Elev)
<b>Site:</b>	Forty Niner Ridge Unit Com #157H	<b>North Reference:</b>	Grid
<b>Well:</b>	Sec 16, T23S, R30E	<b>Survey Calculation Method:</b>	Minimum Curvature
<b>Wellbore:</b>	BHL: 100' FNL & 1430' FEL (Sec 4)		
<b>Design:</b>	Design #1		

Planned Survey										
Measured Depth (usft)	Inclination (°)	Azimuth (°)	Vertical Depth (usft)	+N/-S (usft)	+E/-W (usft)	Vertical Section (usft)	Dogleg Rate (°/100usft)	Build Rate (°/100usft)	Turn Rate (°/100usft)	
<b>FTP/LP: 2545' FNL &amp; 1430' FEL (Sec 16)</b>										
10,417.2	90.04	359.81	10,044.0	236.7	788.6	280.6	10.00	10.00	0.00	
10,450.0	90.04	359.81	10,044.0	269.6	788.5	313.3	0.00	0.00	0.00	
10,500.0	90.04	359.81	10,043.9	319.6	788.3	363.2	0.00	0.00	0.00	
10,550.0	90.04	359.81	10,043.9	369.6	788.1	413.2	0.00	0.00	0.00	
10,600.0	90.04	359.81	10,043.9	419.6	788.0	463.1	0.00	0.00	0.00	
10,650.0	90.04	359.81	10,043.8	469.6	787.8	513.0	0.00	0.00	0.00	
10,700.0	90.04	359.81	10,043.8	519.6	787.6	562.9	0.00	0.00	0.00	
10,750.0	90.04	359.81	10,043.7	569.6	787.4	612.8	0.00	0.00	0.00	
10,800.0	90.04	359.81	10,043.7	619.6	787.3	662.7	0.00	0.00	0.00	
10,850.0	90.04	359.81	10,043.7	669.6	787.1	712.6	0.00	0.00	0.00	
10,900.0	90.04	359.81	10,043.6	719.6	786.9	762.5	0.00	0.00	0.00	
10,950.0	90.04	359.81	10,043.6	769.6	786.8	812.5	0.00	0.00	0.00	
11,000.0	90.04	359.81	10,043.6	819.6	786.6	862.4	0.00	0.00	0.00	
11,050.0	90.04	359.81	10,043.5	869.6	786.4	912.3	0.00	0.00	0.00	
11,100.0	90.04	359.81	10,043.5	919.6	786.3	962.2	0.00	0.00	0.00	
11,150.0	90.04	359.81	10,043.4	969.6	786.1	1,012.1	0.00	0.00	0.00	
11,200.0	90.04	359.81	10,043.4	1,019.6	785.9	1,062.0	0.00	0.00	0.00	
11,250.0	90.04	359.81	10,043.4	1,069.6	785.8	1,111.9	0.00	0.00	0.00	
11,300.0	90.04	359.81	10,043.3	1,119.6	785.6	1,161.8	0.00	0.00	0.00	
11,350.0	90.04	359.81	10,043.3	1,169.6	785.4	1,211.7	0.00	0.00	0.00	
11,400.0	90.04	359.81	10,043.2	1,219.6	785.3	1,261.7	0.00	0.00	0.00	
11,450.0	90.04	359.81	10,043.2	1,269.6	785.1	1,311.6	0.00	0.00	0.00	
11,500.0	90.04	359.81	10,043.2	1,319.6	784.9	1,361.5	0.00	0.00	0.00	
11,550.0	90.04	359.81	10,043.1	1,369.6	784.8	1,411.4	0.00	0.00	0.00	
11,600.0	90.04	359.81	10,043.1	1,419.6	784.6	1,461.3	0.00	0.00	0.00	
11,650.0	90.04	359.81	10,043.1	1,469.6	784.4	1,511.2	0.00	0.00	0.00	
11,700.0	90.04	359.81	10,043.0	1,519.6	784.2	1,561.1	0.00	0.00	0.00	
11,750.0	90.04	359.81	10,043.0	1,569.6	784.1	1,611.0	0.00	0.00	0.00	
11,800.0	90.04	359.81	10,042.9	1,619.6	783.9	1,660.9	0.00	0.00	0.00	
11,850.0	90.04	359.81	10,042.9	1,669.6	783.7	1,710.9	0.00	0.00	0.00	
11,900.0	90.04	359.81	10,042.9	1,719.6	783.6	1,760.8	0.00	0.00	0.00	
11,950.0	90.04	359.81	10,042.8	1,769.6	783.4	1,810.7	0.00	0.00	0.00	
12,000.0	90.04	359.81	10,042.8	1,819.6	783.2	1,860.6	0.00	0.00	0.00	
12,050.0	90.04	359.81	10,042.7	1,869.6	783.1	1,910.5	0.00	0.00	0.00	
12,100.0	90.04	359.81	10,042.7	1,919.6	782.9	1,960.4	0.00	0.00	0.00	
12,150.0	90.04	359.81	10,042.7	1,969.6	782.7	2,010.3	0.00	0.00	0.00	
12,200.0	90.04	359.81	10,042.6	2,019.6	782.6	2,060.2	0.00	0.00	0.00	
12,250.0	90.04	359.81	10,042.6	2,069.5	782.4	2,110.2	0.00	0.00	0.00	
12,300.0	90.04	359.81	10,042.6	2,119.5	782.2	2,160.1	0.00	0.00	0.00	
12,350.0	90.04	359.81	10,042.5	2,169.5	782.1	2,210.0	0.00	0.00	0.00	
12,400.0	90.04	359.81	10,042.5	2,219.5	781.9	2,259.9	0.00	0.00	0.00	
12,450.0	90.04	359.81	10,042.4	2,269.5	781.7	2,309.8	0.00	0.00	0.00	
12,500.0	90.04	359.81	10,042.4	2,319.5	781.6	2,359.7	0.00	0.00	0.00	
12,550.0	90.04	359.81	10,042.4	2,369.5	781.4	2,409.6	0.00	0.00	0.00	
12,600.0	90.04	359.81	10,042.3	2,419.5	781.2	2,459.5	0.00	0.00	0.00	
12,650.0	90.04	359.81	10,042.3	2,469.5	781.1	2,509.4	0.00	0.00	0.00	
12,700.0	90.04	359.81	10,042.2	2,519.5	780.9	2,559.4	0.00	0.00	0.00	
12,750.0	90.04	359.81	10,042.2	2,569.5	780.7	2,609.3	0.00	0.00	0.00	
12,800.0	90.04	359.81	10,042.2	2,619.5	780.5	2,659.2	0.00	0.00	0.00	
12,850.0	90.04	359.81	10,042.1	2,669.5	780.4	2,709.1	0.00	0.00	0.00	
12,900.0	90.04	359.81	10,042.1	2,719.5	780.2	2,759.0	0.00	0.00	0.00	
12,950.0	90.04	359.81	10,042.1	2,769.5	780.0	2,808.9	0.00	0.00	0.00	

Planning Report

<b>Database:</b>	Hobbs	<b>Local Co-ordinate Reference:</b>	Site Forty Niner Ridge Unit Com #157H
<b>Company:</b>	Mewbourne Oil Company	<b>TVD Reference:</b>	WELL @ 3184.0usft (Original Well Elev)
<b>Project:</b>	Eddy County, New Mexico NAD 83	<b>MD Reference:</b>	WELL @ 3184.0usft (Original Well Elev)
<b>Site:</b>	Forty Niner Ridge Unit Com #157H	<b>North Reference:</b>	Grid
<b>Well:</b>	Sec 16, T23S, R30E	<b>Survey Calculation Method:</b>	Minimum Curvature
<b>Wellbore:</b>	BHL: 100' FNL & 1430' FEL (Sec 4)		
<b>Design:</b>	Design #1		

Planned Survey										
Measured Depth (usft)	Inclination (°)	Azimuth (°)	Vertical Depth (usft)	+N/-S (usft)	+E/-W (usft)	Vertical Section (usft)	Dogleg Rate (°/100usft)	Build Rate (°/100usft)	Turn Rate (°/100usft)	
12,961.4	90.04	359.81	10,042.0	2,780.9	780.0	2,820.3	0.00	0.00	0.00	
<b>PPP2: 0' FSL &amp; 1433' FEL (Sec 9)</b>										
13,000.0	90.04	359.81	10,042.0	2,819.5	779.9	2,858.8	0.00	0.00	0.00	
13,050.0	90.04	359.81	10,042.0	2,869.5	779.7	2,908.7	0.00	0.00	0.00	
13,100.0	90.04	359.81	10,041.9	2,919.5	779.5	2,958.7	0.00	0.00	0.00	
13,150.0	90.04	359.81	10,041.9	2,969.5	779.4	3,008.6	0.00	0.00	0.00	
13,200.0	90.04	359.81	10,041.9	3,019.5	779.2	3,058.5	0.00	0.00	0.00	
13,250.0	90.04	359.81	10,041.8	3,069.5	779.0	3,108.4	0.00	0.00	0.00	
13,300.0	90.04	359.81	10,041.8	3,119.5	778.9	3,158.3	0.00	0.00	0.00	
13,350.0	90.04	359.81	10,041.7	3,169.5	778.7	3,208.2	0.00	0.00	0.00	
13,400.0	90.04	359.81	10,041.7	3,219.5	778.5	3,258.1	0.00	0.00	0.00	
13,450.0	90.04	359.81	10,041.7	3,269.5	778.4	3,308.0	0.00	0.00	0.00	
13,500.0	90.04	359.81	10,041.6	3,319.5	778.2	3,357.9	0.00	0.00	0.00	
13,550.0	90.04	359.81	10,041.6	3,369.5	778.0	3,407.9	0.00	0.00	0.00	
13,600.0	90.04	359.81	10,041.6	3,419.5	777.9	3,457.8	0.00	0.00	0.00	
13,650.0	90.04	359.81	10,041.5	3,469.5	777.7	3,507.7	0.00	0.00	0.00	
13,700.0	90.04	359.81	10,041.5	3,519.5	777.5	3,557.6	0.00	0.00	0.00	
13,750.0	90.04	359.81	10,041.4	3,569.5	777.3	3,607.5	0.00	0.00	0.00	
13,800.0	90.04	359.81	10,041.4	3,619.5	777.2	3,657.4	0.00	0.00	0.00	
13,850.0	90.04	359.81	10,041.4	3,669.5	777.0	3,707.3	0.00	0.00	0.00	
13,900.0	90.04	359.81	10,041.3	3,719.5	776.8	3,757.2	0.00	0.00	0.00	
13,950.0	90.04	359.81	10,041.3	3,769.5	776.7	3,807.1	0.00	0.00	0.00	
14,000.0	90.04	359.81	10,041.2	3,819.5	776.5	3,857.1	0.00	0.00	0.00	
14,050.0	90.04	359.81	10,041.2	3,869.5	776.3	3,907.0	0.00	0.00	0.00	
14,100.0	90.04	359.81	10,041.2	3,919.5	776.2	3,956.9	0.00	0.00	0.00	
14,150.0	90.04	359.81	10,041.1	3,969.5	776.0	4,006.8	0.00	0.00	0.00	
14,200.0	90.04	359.81	10,041.1	4,019.5	775.8	4,056.7	0.00	0.00	0.00	
14,250.0	90.04	359.81	10,041.1	4,069.5	775.7	4,106.6	0.00	0.00	0.00	
14,300.0	90.04	359.81	10,041.0	4,119.5	775.5	4,156.5	0.00	0.00	0.00	
14,350.0	90.04	359.81	10,041.0	4,169.5	775.3	4,206.4	0.00	0.00	0.00	
14,400.0	90.04	359.81	10,040.9	4,219.5	775.2	4,256.4	0.00	0.00	0.00	
14,450.0	90.04	359.81	10,040.9	4,269.5	775.0	4,306.3	0.00	0.00	0.00	
14,500.0	90.04	359.81	10,040.9	4,319.5	774.8	4,356.2	0.00	0.00	0.00	
14,550.0	90.04	359.81	10,040.8	4,369.5	774.7	4,406.1	0.00	0.00	0.00	
14,600.0	90.04	359.81	10,040.8	4,419.5	774.5	4,456.0	0.00	0.00	0.00	
14,650.0	90.04	359.81	10,040.8	4,469.5	774.3	4,505.9	0.00	0.00	0.00	
14,700.0	90.04	359.81	10,040.7	4,519.5	774.1	4,555.8	0.00	0.00	0.00	
14,750.0	90.04	359.81	10,040.7	4,569.5	774.0	4,605.7	0.00	0.00	0.00	
14,800.0	90.04	359.81	10,040.6	4,619.5	773.8	4,655.6	0.00	0.00	0.00	
14,850.0	90.04	359.81	10,040.6	4,669.5	773.6	4,705.6	0.00	0.00	0.00	
14,900.0	90.04	359.81	10,040.6	4,719.5	773.5	4,755.5	0.00	0.00	0.00	
14,950.0	90.04	359.81	10,040.5	4,769.5	773.3	4,805.4	0.00	0.00	0.00	
15,000.0	90.04	359.81	10,040.5	4,819.5	773.1	4,855.3	0.00	0.00	0.00	
15,050.0	90.04	359.81	10,040.4	4,869.5	773.0	4,905.2	0.00	0.00	0.00	
15,100.0	90.04	359.81	10,040.4	4,919.5	772.8	4,955.1	0.00	0.00	0.00	
15,150.0	90.04	359.81	10,040.4	4,969.5	772.6	5,005.0	0.00	0.00	0.00	
15,200.0	90.04	359.81	10,040.3	5,019.5	772.5	5,054.9	0.00	0.00	0.00	
15,250.0	90.04	359.81	10,040.3	5,069.5	772.3	5,104.9	0.00	0.00	0.00	
15,300.0	90.04	359.81	10,040.3	5,119.5	772.1	5,154.8	0.00	0.00	0.00	
15,350.0	90.04	359.81	10,040.2	5,169.5	772.0	5,204.7	0.00	0.00	0.00	
15,400.0	90.04	359.81	10,040.2	5,219.5	771.8	5,254.6	0.00	0.00	0.00	
15,450.0	90.04	359.81	10,040.1	5,269.5	771.6	5,304.5	0.00	0.00	0.00	
15,500.0	90.04	359.81	10,040.1	5,319.5	771.5	5,354.4	0.00	0.00	0.00	
15,550.0	90.04	359.81	10,040.1	5,369.5	771.3	5,404.3	0.00	0.00	0.00	

Planning Report

<b>Database:</b>	Hobbs	<b>Local Co-ordinate Reference:</b>	Site Forty Niner Ridge Unit Com #157H
<b>Company:</b>	Mewbourne Oil Company	<b>TVD Reference:</b>	WELL @ 3184.0usft (Original Well Elev)
<b>Project:</b>	Eddy County, New Mexico NAD 83	<b>MD Reference:</b>	WELL @ 3184.0usft (Original Well Elev)
<b>Site:</b>	Forty Niner Ridge Unit Com #157H	<b>North Reference:</b>	Grid
<b>Well:</b>	Sec 16, T23S, R30E	<b>Survey Calculation Method:</b>	Minimum Curvature
<b>Wellbore:</b>	BHL: 100' FNL & 1430' FEL (Sec 4)		
<b>Design:</b>	Design #1		

Planned Survey									
Measured Depth (usft)	Inclination (°)	Azimuth (°)	Vertical Depth (usft)	+N/-S (usft)	+E/-W (usft)	Vertical Section (usft)	Dogleg Rate (°/100usft)	Build Rate (°/100usft)	Turn Rate (°/100usft)
15,600.0	90.04	359.81	10,040.0	5,419.5	771.1	5,454.2	0.00	0.00	0.00
15,650.0	90.04	359.81	10,040.0	5,469.5	770.9	5,504.1	0.00	0.00	0.00
15,700.0	90.04	359.81	10,039.9	5,519.5	770.8	5,554.1	0.00	0.00	0.00
15,750.0	90.04	359.81	10,039.9	5,569.5	770.6	5,604.0	0.00	0.00	0.00
15,800.0	90.04	359.81	10,039.9	5,619.5	770.4	5,653.9	0.00	0.00	0.00
15,850.0	90.04	359.81	10,039.8	5,669.5	770.3	5,703.8	0.00	0.00	0.00
15,900.0	90.04	359.81	10,039.8	5,719.5	770.1	5,753.7	0.00	0.00	0.00
15,950.0	90.04	359.81	10,039.8	5,769.5	769.9	5,803.6	0.00	0.00	0.00
16,000.0	90.04	359.81	10,039.7	5,819.5	769.8	5,853.5	0.00	0.00	0.00
16,050.0	90.04	359.81	10,039.7	5,869.5	769.6	5,903.4	0.00	0.00	0.00
16,100.0	90.04	359.81	10,039.6	5,919.5	769.4	5,953.4	0.00	0.00	0.00
16,150.0	90.04	359.81	10,039.6	5,969.5	769.3	6,003.3	0.00	0.00	0.00
16,200.0	90.04	359.81	10,039.6	6,019.5	769.1	6,053.2	0.00	0.00	0.00
16,250.0	90.04	359.81	10,039.5	6,069.5	768.9	6,103.1	0.00	0.00	0.00
16,300.0	90.04	359.81	10,039.5	6,119.5	768.8	6,153.0	0.00	0.00	0.00
16,350.0	90.04	359.81	10,039.4	6,169.5	768.6	6,202.9	0.00	0.00	0.00
16,400.0	90.04	359.81	10,039.4	6,219.5	768.4	6,252.8	0.00	0.00	0.00
16,450.0	90.04	359.81	10,039.4	6,269.5	768.3	6,302.7	0.00	0.00	0.00
16,500.0	90.04	359.81	10,039.3	6,319.5	768.1	6,352.6	0.00	0.00	0.00
16,550.0	90.04	359.81	10,039.3	6,369.5	767.9	6,402.6	0.00	0.00	0.00
16,600.0	90.04	359.81	10,039.3	6,419.5	767.7	6,452.5	0.00	0.00	0.00
16,650.0	90.04	359.81	10,039.2	6,469.5	767.6	6,502.4	0.00	0.00	0.00
16,700.0	90.04	359.81	10,039.2	6,519.5	767.4	6,552.3	0.00	0.00	0.00
16,750.0	90.04	359.81	10,039.1	6,569.5	767.2	6,602.2	0.00	0.00	0.00
16,800.0	90.04	359.81	10,039.1	6,619.5	767.1	6,652.1	0.00	0.00	0.00
16,850.0	90.04	359.81	10,039.1	6,669.5	766.9	6,702.0	0.00	0.00	0.00
16,900.0	90.04	359.81	10,039.0	6,719.5	766.7	6,751.9	0.00	0.00	0.00
16,950.0	90.04	359.81	10,039.0	6,769.5	766.6	6,801.8	0.00	0.00	0.00
17,000.0	90.04	359.81	10,038.9	6,819.5	766.4	6,851.8	0.00	0.00	0.00
17,050.0	90.04	359.81	10,038.9	6,869.5	766.2	6,901.7	0.00	0.00	0.00
17,100.0	90.04	359.81	10,038.9	6,919.5	766.1	6,951.6	0.00	0.00	0.00
17,150.0	90.04	359.81	10,038.8	6,969.5	765.9	7,001.5	0.00	0.00	0.00
17,200.0	90.04	359.81	10,038.8	7,019.5	765.7	7,051.4	0.00	0.00	0.00
17,250.0	90.04	359.81	10,038.8	7,069.5	765.6	7,101.3	0.00	0.00	0.00
17,300.0	90.04	359.81	10,038.7	7,119.5	765.4	7,151.2	0.00	0.00	0.00
17,350.0	90.04	359.81	10,038.7	7,169.5	765.2	7,201.1	0.00	0.00	0.00
17,400.0	90.04	359.81	10,038.6	7,219.5	765.1	7,251.1	0.00	0.00	0.00
17,450.0	90.04	359.81	10,038.6	7,269.5	764.9	7,301.0	0.00	0.00	0.00
17,500.0	90.04	359.81	10,038.6	7,319.5	764.7	7,350.9	0.00	0.00	0.00
17,550.0	90.04	359.81	10,038.5	7,369.5	764.5	7,400.8	0.00	0.00	0.00
17,600.0	90.04	359.81	10,038.5	7,419.5	764.4	7,450.7	0.00	0.00	0.00
17,650.0	90.04	359.81	10,038.4	7,469.5	764.2	7,500.6	0.00	0.00	0.00
17,700.0	90.04	359.81	10,038.4	7,519.5	764.0	7,550.5	0.00	0.00	0.00
17,750.0	90.04	359.81	10,038.4	7,569.5	763.9	7,600.4	0.00	0.00	0.00
17,800.0	90.04	359.81	10,038.3	7,619.5	763.7	7,650.3	0.00	0.00	0.00
17,850.0	90.04	359.81	10,038.3	7,669.5	763.5	7,700.3	0.00	0.00	0.00
17,900.0	90.04	359.81	10,038.3	7,719.5	763.4	7,750.2	0.00	0.00	0.00
17,950.0	90.04	359.81	10,038.2	7,769.5	763.2	7,800.1	0.00	0.00	0.00
18,000.0	90.04	359.81	10,038.2	7,819.5	763.0	7,850.0	0.00	0.00	0.00
18,050.0	90.04	359.81	10,038.1	7,869.5	762.9	7,899.9	0.00	0.00	0.00
18,100.0	90.04	359.81	10,038.1	7,919.5	762.7	7,949.8	0.00	0.00	0.00
18,150.0	90.04	359.81	10,038.1	7,969.5	762.5	7,999.7	0.00	0.00	0.00
18,200.0	90.04	359.81	10,038.0	8,019.5	762.4	8,049.6	0.00	0.00	0.00
18,250.0	90.04	359.81	10,038.0	8,069.5	762.2	8,099.6	0.00	0.00	0.00

Planning Report

<b>Database:</b>	Hobbs	<b>Local Co-ordinate Reference:</b>	Site Forty Niner Ridge Unit Com #157H
<b>Company:</b>	Mewbourne Oil Company	<b>TVD Reference:</b>	WELL @ 3184.0usft (Original Well Elev)
<b>Project:</b>	Eddy County, New Mexico NAD 83	<b>MD Reference:</b>	WELL @ 3184.0usft (Original Well Elev)
<b>Site:</b>	Forty Niner Ridge Unit Com #157H	<b>North Reference:</b>	Grid
<b>Well:</b>	Sec 16, T23S, R30E	<b>Survey Calculation Method:</b>	Minimum Curvature
<b>Wellbore:</b>	BHL: 100' FNL & 1430' FEL (Sec 4)		
<b>Design:</b>	Design #1		

Planned Survey										
Measured Depth (usft)	Inclination (°)	Azimuth (°)	Vertical Depth (usft)	+N/-S (usft)	+E/-W (usft)	Vertical Section (usft)	Dogleg Rate (°/100usft)	Build Rate (°/100usft)	Turn Rate (°/100usft)	
18,254.9	90.04	359.81	10,038.0	8,074.4	762.2	8,104.4	0.00	0.00	0.00	
<b>PPP3: 0' FSL &amp; 1434' FEL (Sec 4)</b>										
18,300.0	90.04	359.81	10,037.9	8,119.5	762.0	8,149.5	0.00	0.00	0.00	
18,350.0	90.04	359.81	10,037.9	8,169.5	761.9	8,199.4	0.00	0.00	0.00	
18,400.0	90.04	359.81	10,037.9	8,219.5	761.7	8,249.3	0.00	0.00	0.00	
18,450.0	90.04	359.81	10,037.8	8,269.5	761.5	8,299.2	0.00	0.00	0.00	
18,500.0	90.04	359.81	10,037.8	8,319.5	761.4	8,349.1	0.00	0.00	0.00	
18,550.0	90.04	359.81	10,037.8	8,369.5	761.2	8,399.0	0.00	0.00	0.00	
18,600.0	90.04	359.81	10,037.7	8,419.5	761.0	8,448.9	0.00	0.00	0.00	
18,650.0	90.04	359.81	10,037.7	8,469.5	760.8	8,498.8	0.00	0.00	0.00	
18,700.0	90.04	359.81	10,037.6	8,519.5	760.7	8,548.8	0.00	0.00	0.00	
18,750.0	90.04	359.81	10,037.6	8,569.5	760.5	8,598.7	0.00	0.00	0.00	
18,800.0	90.04	359.81	10,037.6	8,619.5	760.3	8,648.6	0.00	0.00	0.00	
18,850.0	90.04	359.81	10,037.5	8,669.5	760.2	8,698.5	0.00	0.00	0.00	
18,900.0	90.04	359.81	10,037.5	8,719.5	760.0	8,748.4	0.00	0.00	0.00	
18,950.0	90.04	359.81	10,037.5	8,769.5	759.8	8,798.3	0.00	0.00	0.00	
19,000.0	90.04	359.81	10,037.4	8,819.5	759.7	8,848.2	0.00	0.00	0.00	
19,050.0	90.04	359.81	10,037.4	8,869.5	759.5	8,898.1	0.00	0.00	0.00	
19,100.0	90.04	359.81	10,037.3	8,919.5	759.3	8,948.0	0.00	0.00	0.00	
19,150.0	90.04	359.81	10,037.3	8,969.5	759.2	8,998.0	0.00	0.00	0.00	
19,200.0	90.04	359.81	10,037.3	9,019.5	759.0	9,047.9	0.00	0.00	0.00	
19,250.0	90.04	359.81	10,037.2	9,069.5	758.8	9,097.8	0.00	0.00	0.00	
19,300.0	90.04	359.81	10,037.2	9,119.5	758.7	9,147.7	0.00	0.00	0.00	
19,350.0	90.04	359.81	10,037.1	9,169.5	758.5	9,197.6	0.00	0.00	0.00	
19,400.0	90.04	359.81	10,037.1	9,219.5	758.3	9,247.5	0.00	0.00	0.00	
19,450.0	90.04	359.81	10,037.1	9,269.5	758.2	9,297.4	0.00	0.00	0.00	
19,500.0	90.04	359.81	10,037.0	9,319.5	758.0	9,347.3	0.00	0.00	0.00	
19,550.0	90.04	359.81	10,037.0	9,369.5	757.8	9,397.3	0.00	0.00	0.00	
19,600.0	90.04	359.81	10,037.0	9,419.5	757.6	9,447.2	0.00	0.00	0.00	
19,650.0	90.04	359.81	10,036.9	9,469.5	757.5	9,497.1	0.00	0.00	0.00	
19,700.0	90.04	359.81	10,036.9	9,519.5	757.3	9,547.0	0.00	0.00	0.00	
19,750.0	90.04	359.81	10,036.8	9,569.5	757.1	9,596.9	0.00	0.00	0.00	
19,800.0	90.04	359.81	10,036.8	9,619.5	757.0	9,646.8	0.00	0.00	0.00	
19,850.0	90.04	359.81	10,036.8	9,669.5	756.8	9,696.7	0.00	0.00	0.00	
19,900.0	90.04	359.81	10,036.7	9,719.5	756.6	9,746.6	0.00	0.00	0.00	
19,950.0	90.04	359.81	10,036.7	9,769.5	756.5	9,796.5	0.00	0.00	0.00	
20,000.0	90.04	359.81	10,036.6	9,819.5	756.3	9,846.5	0.00	0.00	0.00	
20,050.0	90.04	359.81	10,036.6	9,869.5	756.1	9,896.4	0.00	0.00	0.00	
20,100.0	90.04	359.81	10,036.6	9,919.5	756.0	9,946.3	0.00	0.00	0.00	
20,150.0	90.04	359.81	10,036.5	9,969.5	755.8	9,996.2	0.00	0.00	0.00	
20,200.0	90.04	359.81	10,036.5	10,019.5	755.6	10,046.1	0.00	0.00	0.00	
20,250.0	90.04	359.81	10,036.5	10,069.5	755.5	10,096.0	0.00	0.00	0.00	
20,300.0	90.04	359.81	10,036.4	10,119.5	755.3	10,145.9	0.00	0.00	0.00	
20,350.0	90.04	359.81	10,036.4	10,169.5	755.1	10,195.8	0.00	0.00	0.00	
20,400.0	90.04	359.81	10,036.3	10,219.5	755.0	10,245.8	0.00	0.00	0.00	
20,450.0	90.04	359.81	10,036.3	10,269.5	754.8	10,295.7	0.00	0.00	0.00	
20,500.0	90.04	359.81	10,036.3	10,319.5	754.6	10,345.6	0.00	0.00	0.00	
20,550.0	90.04	359.81	10,036.2	10,369.5	754.4	10,395.5	0.00	0.00	0.00	
20,600.0	90.04	359.81	10,036.2	10,419.5	754.3	10,445.4	0.00	0.00	0.00	
20,650.0	90.04	359.81	10,036.1	10,469.5	754.1	10,495.3	0.00	0.00	0.00	
20,700.0	90.04	359.81	10,036.1	10,519.5	753.9	10,545.2	0.00	0.00	0.00	
20,750.0	90.04	359.81	10,036.1	10,569.5	753.8	10,595.1	0.00	0.00	0.00	
20,800.0	90.04	359.81	10,036.0	10,619.5	753.6	10,645.0	0.00	0.00	0.00	

Planning Report

<b>Database:</b>	Hobbs	<b>Local Co-ordinate Reference:</b>	Site Forty Niner Ridge Unit Com #157H
<b>Company:</b>	Mewbourne Oil Company	<b>TVD Reference:</b>	WELL @ 3184.0usft (Original Well Elev)
<b>Project:</b>	Eddy County, New Mexico NAD 83	<b>MD Reference:</b>	WELL @ 3184.0usft (Original Well Elev)
<b>Site:</b>	Forty Niner Ridge Unit Com #157H	<b>North Reference:</b>	Grid
<b>Well:</b>	Sec 16, T23S, R30E	<b>Survey Calculation Method:</b>	Minimum Curvature
<b>Wellbore:</b>	BHL: 100' FNL & 1430' FEL (Sec 4)		
<b>Design:</b>	Design #1		

Planned Survey										
Measured Depth (usft)	Inclination (°)	Azimuth (°)	Vertical Depth (usft)	+N/-S (usft)	+E/-W (usft)	Vertical Section (usft)	Dogleg Rate (°/100usft)	Build Rate (°/100usft)	Turn Rate (°/100usft)	
20,850.0	90.04	359.81	10,036.0	10,669.5	753.4	10,695.0	0.00	0.00	0.00	
20,900.0	90.04	359.81	10,036.0	10,719.5	753.3	10,744.9	0.00	0.00	0.00	
20,900.6	90.04	359.81	10,036.0	10,720.1	753.3	10,745.5	0.00	0.00	0.00	
<b>PPP4: 2645' FNL &amp; 1432' FEL (Sec 4)</b>										
20,950.0	90.04	359.81	10,035.9	10,769.5	753.1	10,794.8	0.00	0.00	0.00	
21,000.0	90.04	359.81	10,035.9	10,819.5	752.9	10,844.7	0.00	0.00	0.00	
21,050.0	90.04	359.81	10,035.8	10,869.5	752.8	10,894.6	0.00	0.00	0.00	
21,100.0	90.04	359.81	10,035.8	10,919.5	752.6	10,944.5	0.00	0.00	0.00	
21,150.0	90.04	359.81	10,035.8	10,969.5	752.4	10,994.4	0.00	0.00	0.00	
21,200.0	90.04	359.81	10,035.7	11,019.5	752.3	11,044.3	0.00	0.00	0.00	
21,250.0	90.04	359.81	10,035.7	11,069.5	752.1	11,094.2	0.00	0.00	0.00	
21,300.0	90.04	359.81	10,035.6	11,119.5	751.9	11,144.2	0.00	0.00	0.00	
21,350.0	90.04	359.81	10,035.6	11,169.5	751.8	11,194.1	0.00	0.00	0.00	
21,400.0	90.04	359.81	10,035.6	11,219.5	751.6	11,244.0	0.00	0.00	0.00	
21,450.0	90.04	359.81	10,035.5	11,269.5	751.4	11,293.9	0.00	0.00	0.00	
21,500.0	90.04	359.81	10,035.5	11,319.5	751.2	11,343.8	0.00	0.00	0.00	
21,550.0	90.04	359.81	10,035.5	11,369.5	751.1	11,393.7	0.00	0.00	0.00	
21,600.0	90.04	359.81	10,035.4	11,419.5	750.9	11,443.6	0.00	0.00	0.00	
21,650.0	90.04	359.81	10,035.4	11,469.5	750.7	11,493.5	0.00	0.00	0.00	
21,700.0	90.04	359.81	10,035.3	11,519.5	750.6	11,543.5	0.00	0.00	0.00	
21,750.0	90.04	359.81	10,035.3	11,569.5	750.4	11,593.4	0.00	0.00	0.00	
21,800.0	90.04	359.81	10,035.3	11,619.5	750.2	11,643.3	0.00	0.00	0.00	
21,850.0	90.04	359.81	10,035.2	11,669.5	750.1	11,693.2	0.00	0.00	0.00	
21,900.0	90.04	359.81	10,035.2	11,719.5	749.9	11,743.1	0.00	0.00	0.00	
21,950.0	90.04	359.81	10,035.1	11,769.5	749.7	11,793.0	0.00	0.00	0.00	
22,000.0	90.04	359.81	10,035.1	11,819.5	749.6	11,842.9	0.00	0.00	0.00	
22,050.0	90.04	359.81	10,035.1	11,869.5	749.4	11,892.8	0.00	0.00	0.00	
22,100.0	90.04	359.81	10,035.0	11,919.5	749.2	11,942.7	0.00	0.00	0.00	
22,150.0	90.04	359.81	10,035.0	11,969.5	749.1	11,992.7	0.00	0.00	0.00	
22,200.0	90.04	359.81	10,035.0	12,019.5	748.9	12,042.6	0.00	0.00	0.00	
22,250.0	90.04	359.81	10,034.9	12,069.5	748.7	12,092.5	0.00	0.00	0.00	
22,300.0	90.04	359.81	10,034.9	12,119.5	748.6	12,142.4	0.00	0.00	0.00	
22,350.0	90.04	359.81	10,034.8	12,169.5	748.4	12,192.3	0.00	0.00	0.00	
22,400.0	90.04	359.81	10,034.8	12,219.5	748.2	12,242.2	0.00	0.00	0.00	
22,450.0	90.04	359.81	10,034.8	12,269.5	748.0	12,292.1	0.00	0.00	0.00	
22,500.0	90.04	359.81	10,034.7	12,319.5	747.9	12,342.0	0.00	0.00	0.00	
22,550.0	90.04	359.81	10,034.7	12,369.5	747.7	12,392.0	0.00	0.00	0.00	
22,600.0	90.04	359.81	10,034.6	12,419.5	747.5	12,441.9	0.00	0.00	0.00	
22,650.0	90.04	359.81	10,034.6	12,469.5	747.4	12,491.8	0.00	0.00	0.00	
22,700.0	90.04	359.81	10,034.6	12,519.5	747.2	12,541.7	0.00	0.00	0.00	
22,750.0	90.04	359.81	10,034.5	12,569.5	747.0	12,591.6	0.00	0.00	0.00	
22,800.0	90.04	359.81	10,034.5	12,619.5	746.9	12,641.5	0.00	0.00	0.00	
22,850.0	90.04	359.81	10,034.5	12,669.5	746.7	12,691.4	0.00	0.00	0.00	
22,900.0	90.04	359.81	10,034.4	12,719.5	746.5	12,741.3	0.00	0.00	0.00	
22,950.0	90.04	359.81	10,034.4	12,769.5	746.4	12,791.2	0.00	0.00	0.00	
23,000.0	90.04	359.81	10,034.3	12,819.5	746.2	12,841.2	0.00	0.00	0.00	
23,050.0	90.04	359.81	10,034.3	12,869.5	746.0	12,891.1	0.00	0.00	0.00	
23,100.0	90.04	359.81	10,034.3	12,919.5	745.9	12,941.0	0.00	0.00	0.00	
23,150.0	90.04	359.81	10,034.2	12,969.5	745.7	12,990.9	0.00	0.00	0.00	
23,200.0	90.04	359.81	10,034.2	13,019.5	745.5	13,040.8	0.00	0.00	0.00	
23,250.0	90.04	359.81	10,034.1	13,069.5	745.4	13,090.7	0.00	0.00	0.00	
23,300.0	90.04	359.81	10,034.1	13,119.5	745.2	13,140.6	0.00	0.00	0.00	
23,350.0	90.04	359.81	10,034.1	13,169.5	745.0	13,190.5	0.00	0.00	0.00	
23,400.0	90.04	359.81	10,034.0	13,219.5	744.9	13,240.5	0.00	0.00	0.00	

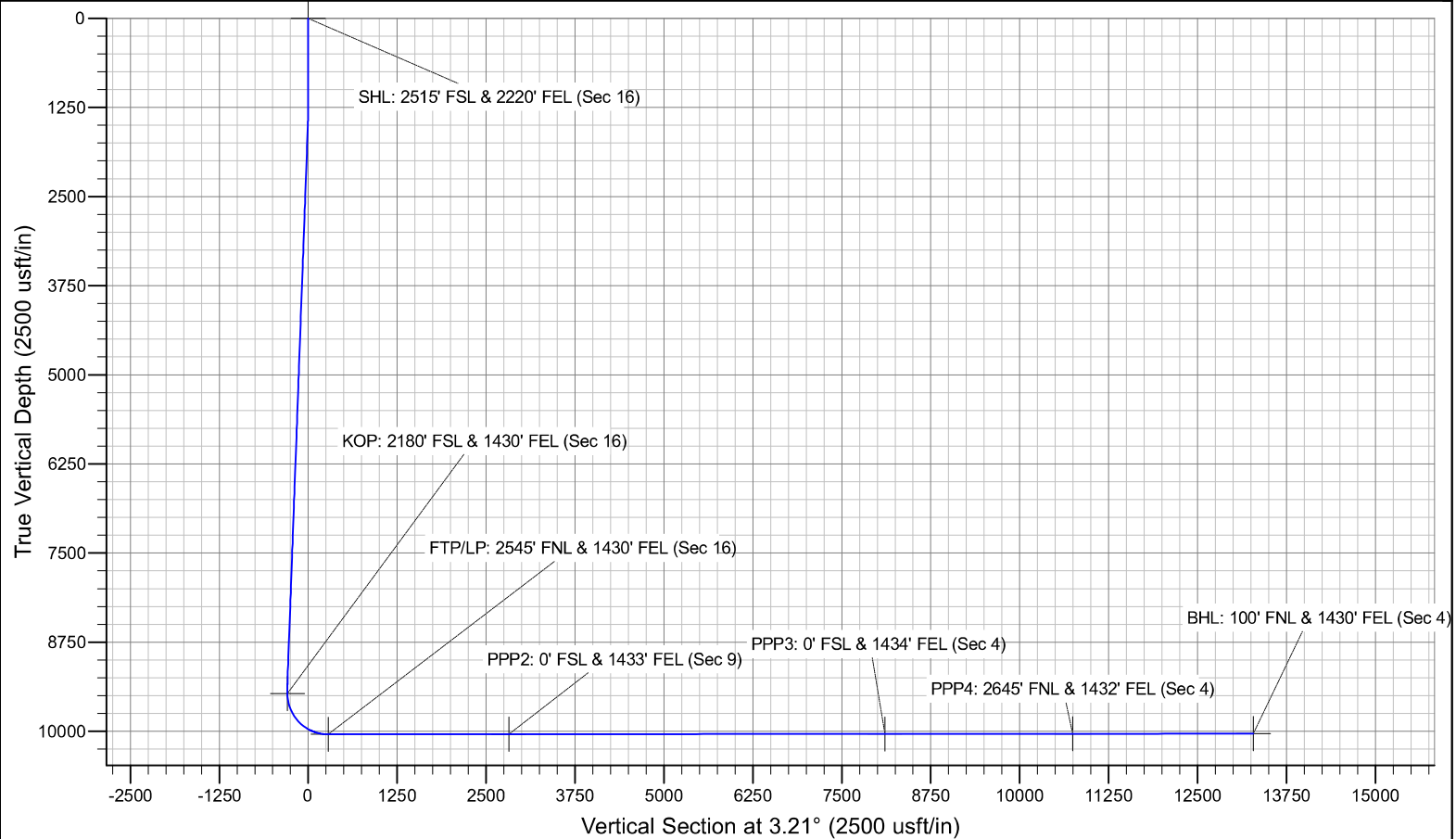
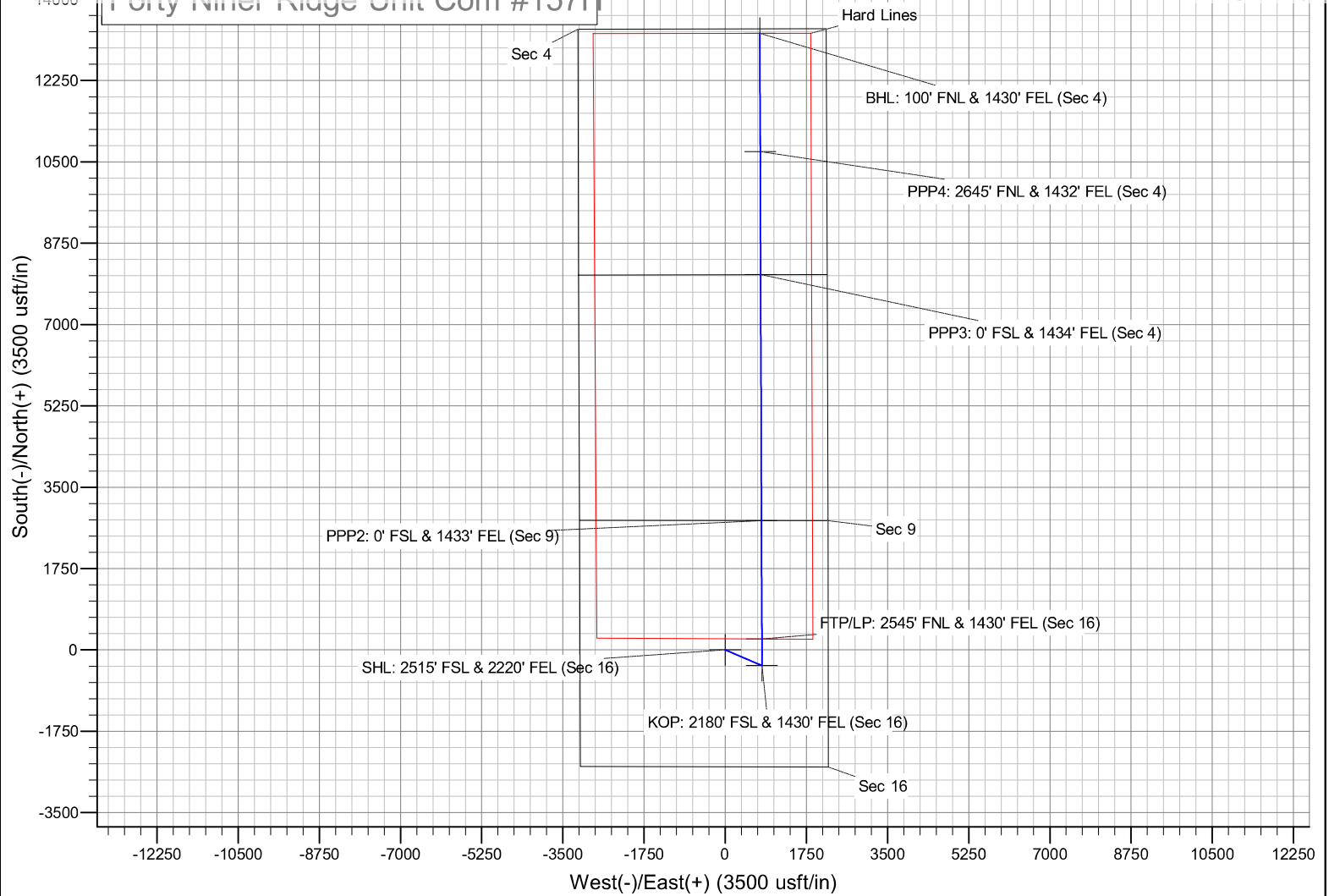
Planning Report

<b>Database:</b>	Hobbs	<b>Local Co-ordinate Reference:</b>	Site Forty Niner Ridge Unit Com #157H
<b>Company:</b>	Mewbourne Oil Company	<b>TVD Reference:</b>	WELL @ 3184.0usft (Original Well Elev)
<b>Project:</b>	Eddy County, New Mexico NAD 83	<b>MD Reference:</b>	WELL @ 3184.0usft (Original Well Elev)
<b>Site:</b>	Forty Niner Ridge Unit Com #157H	<b>North Reference:</b>	Grid
<b>Well:</b>	Sec 16, T23S, R30E	<b>Survey Calculation Method:</b>	Minimum Curvature
<b>Wellbore:</b>	BHL: 100' FNL & 1430' FEL (Sec 4)		
<b>Design:</b>	Design #1		

Planned Survey									
Measured Depth (usft)	Inclination (°)	Azimuth (°)	Vertical Depth (usft)	+N/-S (usft)	+E/-W (usft)	Vertical Section (usft)	Dogleg Rate (°/100usft)	Build Rate (°/100usft)	Turn Rate (°/100usft)
23,444.7	90.04	359.81	10,034.0	13,264.2	744.7	13,285.1	0.00	0.00	0.00
BHL: 100' FNL & 1430' FEL (Sec 4)									

Design Targets									
Target Name - hit/miss target - Shape	Dip Angle (°)	Dip Dir. (°)	TVD (usft)	+N/-S (usft)	+E/-W (usft)	Northing (usft)	Easting (usft)	Latitude	Longitude
SHL: 2515' FSL & 2220' - plan hits target center - Point	0.00	0.00	0.0	0.0	0.0	474,871.70	679,907.90	32.3046987	-103.8848272
KOP: 2180' FSL & 1430' - plan hits target center - Point	0.00	0.00	9,471.0	-336.7	790.5	474,535.00	680,698.40	32.3037641	-103.8822733
BHL: 100' FNL & 1430' F - plan hits target center - Point	0.00	0.00	10,034.0	13,264.2	744.7	488,135.90	680,652.60	32.3411505	-103.8822362
PPP4: 2645' FNL & 1430' FE - plan hits target center - Point	0.00	0.00	10,036.0	10,720.1	753.3	485,591.80	680,661.16	32.3341572	-103.8822432
PPP3: 0' FSL & 1434' FE - plan hits target center - Point	0.00	0.00	10,038.0	8,074.4	762.2	482,946.10	680,670.07	32.3268847	-103.8822504
PPP2: 0' FSL & 1433' FE - plan hits target center - Point	0.00	0.00	10,042.0	2,780.9	780.0	477,652.60	680,687.90	32.3123338	-103.8822648
FTP/LP: 2545' FNL & 1430' FE - plan hits target center - Point	0.00	0.00	10,044.0	236.2	788.6	475,107.90	680,696.47	32.3053389	-103.8822717

# Forty Niner Ridge Unit Com #157H



**Mewbourne Oil Company, Forty Niner Ridge Unit Com 157H  
Sec 16, T23S, R30E  
SHL: 2515' FSL 2220' FEL (Sec 16)  
BHL: 100' FNL 1430' FEL (Sec 4)**

**Well Location** **GL: 3156'**

Point	Calls	Leases	Aliquot	Section	Township	Range	County	Lat	Long	TVD	MD
SHL	SHL: 2515' FSL & 2220' FEL (Sec 16)	State	NWSE	16	23S	30E	Eddy	32.3046988	- 103.8848272	0'	0'
KOP	KOP: 2180' FSL & 1430' FEL (Sec 16)	State	NWSE	16	23S	30E	Eddy	32.3037640	- 103.8822733	9,471'	9,516'
FTP	FTP/LP: 2545' FNL & 1430' FEL (Sec 16)	State	NWSE	16	23S	30E	Eddy	32.3053387	- 103.8822692	10,044'	10,416'
PPP2	PPP2: 0' FSL & 1433' FEL (Sec 9)	NMNM104965	SWSE	9	23S	30E	Eddy	32.3123337	- 103.8822628	10,042'	12,961'
PPP3	PPP3: 0' FSL & 1434' FEL (Sec 4)	NMNM0543280	SWSE	4	23S	30E	Eddy	32.3268846	- 103.8822494	10,038'	18,254'
PPP4	PPP4: 2645' FNL & 1432' FEL (Sec 4)	NMNM135243	SWNE	4	23S	30E	Eddy	32.3341571	- 103.8822427	10,036'	20,900'
BHL	BHL: 100' FNL & 1430' FEL (Sec 4)	NMNM135243	NWNE	4	23S	30E	Eddy	32.3411503	- 103.8822363	10,034'	23,444'

**GEOLOGY**

Formation	Est. Top (TVD)	Lithology	Mineral Resources	Formation	Est. Top (TVD)	Lithology	Mineral Resources
Rustler				Delaware (Lamar)	3550'	Limestone	Oil/Natural Gas
Castile				Bell Canyon	3575'	Sandstone	Oil/Natural Gas
Salt Top	375'	Salt	None	Cherry Canyon	4500'	Sandstone	Oil/Natural Gas
Marker Bed 126	1207'	Salt	None	Manzanita Marker	4625'	Limestone	Oil/Natural Gas
Salt Base				Basal Brushy Canyon	5775'	Sandstone	Oil/Natural Gas
Yates				Bone Spring	7450'	Limestone/Shale	Oil/Natural Gas
Seven Rivers				1st Bone Spring Carbonate			
Queen				1st Bone Spring Sand	8450'	Sandstone	Oil/Natural Gas
Capitan				2nd Bone Spring Carbonate			
Grayburg				2nd Bone Spring Sand	9100'	Sandstone	Oil/Natural Gas
San Andres				3rd Bone Spring Carbonate			
Glorietta				3rd Bone Spring Sand	10350'	Sandstone	Oil/Natural Gas
Yeso				Wolfcamp	10775'	Shale/Sandstone/Limestone	Oil/Natural Gas

Casing Program Design A						BLM Minimum Safety Factors		1.125	1.0	1.6 Dry	1.6 Dry	
Casing String	Hole Diameter (in)	Top MD	Top TVD	Bottom MD	Bottom TVD	Casing Description	SF Collapse	SF Burst	SF Jt Tension	SF Body Tension	1.8 Wet	1.8 Wet
Surface	17.5"	0'	0'	300'	300'	13.375" 48# H40 STC	5.74	12.90	22.36	37.57		
Intermediate	12.25"	0'	0'	3385'	3385'	9.625" 36# J55 LTC	1.13	1.96	3.64	4.53		
Intermediate	12.25"	3385'	3385'	3450'	3450'	9.625" 40# J55 LTC	1.41	2.16	200.00	242.31		
Production	8.75"	0'	0'	9516'	9471'	7" 26# P110 LTC	1.30	2.08	2.80	3.35		
Liner	6.125"	9316'	9297'	23444'	10034'	4.5" 13.5# P110 LTC	1.78	2.07	1.77	2.21		

**All casing strings will be tested in accordance with 43 CFR Part 3172. Must have table for contingency casing.**

	Y or N
Is casing new? If used, attach certification as required in Onshore Order #1	<b>Y</b>
Is casing API approved? If no, attach casing specification sheet.	<b>Y</b>
Is premium or uncommon casing planned? If yes attach casing specification sheet.	<b>N</b>
Does the above casing design meet or exceed BLM's minimum standards? If not provide justification (loading assumptions, casing design criteria).	<b>Y</b>
Will the pipe be kept at a minimum 1/3 fluid filled to avoid approaching the collapse pressure rating of the casing?	<b>Y</b>
Is well located within Capitan Reef?	<b>N</b>
If yes, does production casing cement tie back a minimum of 50' above the Reef?	
Is well within the designated 4 string boundary.	<b>N</b>
Is well located in SOPA but not in R-111-Q?	<b>N</b>
If yes, are the first 2 strings cemented to surface and 3 <sup>rd</sup> string cement tied back 500' into previous casing?	
Is well located in R-111-Q and SOPA?	<b>Y</b>
If yes, are the first three strings cemented to surface?	<b>N</b>
Is 2 <sup>nd</sup> string set 100' to 600' below the base of salt?	<b>Y</b>
Is an open annulus used to satisfy R-111-Q? If yes, see cement design.	<b>Y</b>
Is an engineered weak point used to satisfy R-111-Q?	
If yes, at what depth is the weak point planned?	
Is well located in high Cave/Karst?	<b>N</b>
If yes, are there two strings cemented to surface?	
(For 2 string wells) If yes, is there a contingency casing if lost circulation occurs?	
Is well located in critical Cave/Karst?	<b>N</b>
If yes, are there three strings cemented to surface?	

**Mewbourne Oil Company, Forty Niner Ridge Unit Com 157H**  
**Sec 16, T23S, R30E**  
**SHL: 2515' FSL 2220' FEL (Sec 16)**  
**BHL: 100' FNL 1430' FEL (Sec 4)**

**Design A - Cement Program**

Casing	Cement Stage	# sx	Density (ppg)	Yield (ft <sup>3</sup> /sack)	Depth (MD)	Volume (ft <sup>3</sup> )	% Excess	Slurry Description
13.375 in	LEAD	80	12.5	2.12	0' - 116'	170	100%	Class C: Salt, Gel, Extender, LCM
	TAIL	200	14.8	1.34	116' - 300'	268		Class C: Retarder
9.625 in	LEAD	530	12.5	2.12	0' - 2789'	1130	25%	Class C: Salt, Gel, Extender, LCM
	TAIL	200	14.8	1.34	2789' - 3450'	268		Class C: Retarder
7 in	LEAD	140	12.5	2.12	4450' - 6419'	300	0%	Class C: Salt, Gel, Extender, LCM, Defoamer
	TAIL	400	15.6	1.18	6419' - 9516'	472		Class H: Retarder, Fluid Loss, Defoamer
4.5 in	LEAD	910	13.5	1.85	9316' - 23444'	1690	25%	Class H: Salt, Gel, Fluid Loss, Retarder, Dispersant, Defoamer, Anti-settling Agent

**Pressure Control Equipment**

BOP installed and tested before drilling hole (in):	Size (in)	System Rated WP	Type	Tested to:	Rating Depth	
12.25	13.375	5M	Annular	X	2500#/3500#	23,444'
		5M	Blind Ram	X	5000#	
			Pipe Ram	X		
			Double Ram			
			Other*			

\*Specify if additional ram is utilized.

**Equipment:** Annular, Pipe Rams, Blind Rams, Other accessories to the BOP equipment will include a Kelly cock and floor safety valve (inside BOP) and choke lines and choke manifold. See attached schematics.

**Variance Request:** A variance is requested for the use of a flexible choke line from the BOP to the choke manifold. See attached for hydrostatic test chart. Anchors are not required by manufacturer. Variance is requested to use a multi bowl wellhead. Variance is requested to perform break testing according to attached procedure. If a breaktesting variance is approved & incorporated, API Standard 53 will be incorporated and testing annular BOP to 70% of RWP or 100% of MASP, whichever is greater, will be performed.

**Testing Procedure:** BOP/BOPE will be tested by an independent service company to 250 psi low and the high pressure indicated above per 43 CFR Part 3172 requirements. The System may be upgraded to a higher pressure but still tested to the working pressure listed in the table above. If the system is upgraded all the components installed will be functional and tested. Pipe rams will be operationally checked each 24 hour period. Blind rams will be operationally checked on each trip out of the hole. These checks will be noted on the daily tour sheets.

<b>Y</b>	Formation integrity test will be performed per 43 CFR Part 3172. On Exploratory wells or on that portion of any well approved for a 5M BOPE system or greater, a pressure integrity test of each casing shoe shall be performed. Will be tested in accordance with 43 CFR Part 3172.
<b>N</b>	Mewbourne Oil Company request a variance to use a 5000 psi annular BOP with a 10,000 psi BOP stack.

**Mud Program**

Depth (MD)	Mud Wt (ppg)	Mud Type
0' - 300'	8.4 - 8.6	Fresh Water
300' - 3450'	10.0 - 10.2	Brine
3450' - 9516'	8.6 - 9.7	Cut-Brine
9516' - 23444'	10.0 - 11.5	OBM

Sufficient mud materials to maintain mud properties and meet minimum lost circulation and weight increase requirements will be kept on location at all times.

What will be used to monitor the loss or gain of fluid?	Pason/PVT/Visual Monitoring
---------------------------------------------------------	-----------------------------

**Mewbourne Oil Company, Forty Niner Ridge Unit Com 157H  
 Sec 16, T23S, R30E  
 SHL: 2515' FSL 2220' FEL (Sec 16)  
 BHL: 100' FNL 1430' FEL (Sec 4)**

**Logging and Testing Procedures**

Logging, Coring and Testing.	
N	Will run GR/CNL from KOP (9516') to surface (horizontal well – vertical portion of hole). Stated logs run will be in the Completion Report and submitted to the BLM.
Y	No logs are planned based on well control or offset log information. Offset Well: Forty Niner Ridge Unit Com #161H
N	Coring? If yes, explain:

**Open & Cased Hole Logs Run In the Well**

<input type="checkbox"/> Caliper	<input type="checkbox"/> Cement Bond Log	<input type="checkbox"/> CNL/FDC
<input type="checkbox"/> Compensated Densilog	<input type="checkbox"/> Compensated Neutron Log	<input type="checkbox"/> Computer Generated Log
<input type="checkbox"/> Dip Meter Log	<input checked="" type="checkbox"/> <b>Directional Survey</b>	<input type="checkbox"/> Dual Induction/Microresistivity
<input type="checkbox"/> Dual Lateral Log/Microspherically Focused	<input type="checkbox"/> Electric Log	<input type="checkbox"/> Formation Density Compensated Log
<input type="checkbox"/> Gamma Ray Log	<input checked="" type="checkbox"/> <b>Measurement While Drilling</b>	<input type="checkbox"/> Mud Log/Geological Lithology Log
<input type="checkbox"/> Other	<input type="checkbox"/> Porosity-Resistivity Log	<input type="checkbox"/> Sidewall Neutron Log
<input type="checkbox"/> Sonic Log	<input type="checkbox"/> Spontaneous Potential Log	<input type="checkbox"/> Temperature Log

**Drilling Conditions**

Condition	Specify what type and where?
BH Pressure at deepest TVD	6006 psi
BH Temperature	140
Abnormal Temp, Pressure, or Geologic Hazards	No

Mitigation measure for abnormal conditions. Describe. **Lost circulation material/sweeps/mud scavengers in surface hole. Weighted mud for possible over-pressure in Wolfcamp formation.**

Hydrogen Sulfide (H2S) monitors will be installed prior to drilling out the surface shoe. If H2S is detected in concentrations greater than 100 ppm, the operator will comply with the provisions of Onshore Oil and Gas Order #6. If Hydrogen Sulfide is encountered, measured values and formations will be provided to the BLM.

	H2S is present
X	H2S Plan attached

**Mewbourne Oil Company, Forty Niner Ridge Unit Com 157H  
 Sec 16, T23S, R30E  
 SHL: 2515' FSL 2220' FEL (Sec 16)  
 BHL: 100' FNL 1430' FEL (Sec 4)**

**Other facets of operation**

Mewbourne Oil Company requests approval to implement additional designs as described below &/or in other attachments. BLM will be notified of elected design. Mewbourne Oil Company will not introduce any additives that contain PFAS chemicals in the completion or recompletion of the well.

**Offline Cementing Variance:** Variance is requested to perform offline cementing according to the attached procedure. **R-111Q:** Mewbourne proposes performing Open Hole Cementing per R-111Q Guidelines if well is in Potash.

Casing Program Design B						BLM Minimum Safety Factors	1.125	1.0	1.6 Dry 1.8 Wet	1.6 Dry 1.8 Wet
Casing String	Hole Diameter (in)	Top MD	Top TVD	Bottom MD	Bottom TVD	Casing Description	SF Collapse	SF Burst	SF Jt Tension	SF Body Tension
Surface	17.5"	0'	0'	300'	300'	13.375" 48# H40 STC	5.74	12.90	22.36	37.57
Intermediate	12.25"	0'	0'	3385'	3385'	9.625" 36# J55 LTC	1.13	1.96	3.64	4.53
Intermediate	12.25"	3385'	3385'	3450'	3450'	9.625" 40# J55 LTC	1.41	2.16	200.00	242.31
Production	8.75"	0'	0'	10416'	10044'	7" 26# HCP110 LTC	1.54	1.96	2.56	3.06
Liner	6.125"	9516'	9471'	23444'	10034'	4.5" 13.5# P110 LTC	1.78	2.07	1.80	2.24

**All casing strings will be tested in accordance with 43 CFR Part 3172. Must have table for contingency casing.**

	Y or N
Is casing new? If used, attach certification as required in Onshore Order #1	Y
Is casing API approved? If no, attach casing specification sheet.	Y
Is premium or uncommon casing planned? If yes attach casing specification sheet.	N
Does the above casing design meet or exceed BLM's minimum standards? If not provide justification (loading assumptions, casing design criteria).	Y
Will the pipe be kept at a minimum 1/3 fluid filled to avoid approaching the collapse pressure rating of the casing?	Y
Is well located within Capitan Reef?	N
If yes, does production casing cement tie back a minimum of 50' above the Reef?	
Is well within the designated 4 string boundary.	N
Is well located in SOPA but not in R-111-Q?	N
If yes, are the first 2 strings cemented to surface and 3 <sup>rd</sup> string cement tied back 500' into previous casing?	
Is well located in R-111-Q and SOPA?	Y
If yes, are the first three strings cemented to surface?	N
Is 2 <sup>nd</sup> string set 100' to 600' below the base of salt?	Y
Is an open annulus used to satisfy R-111-Q? If yes, see cement design.	Y
Is an engineered weak point used to satisfy R-111-Q?	
If yes, at what depth is the weak point planned?	
Is well located in high Cave/Karst?	N
If yes, are there two strings cemented to surface?	
(For 2 string wells) If yes, is there a contingency casing if lost circulation occurs?	
Is well located in critical Cave/Karst?	N
If yes, are there three strings cemented to surface?	

**Design B - Cement Program**

Casing	Cement Stage	# sx	Density (ppg)	Yield (ft <sup>3</sup> /sack)	Depth (MD)	Volume (ft <sup>3</sup> )	% Excess	Slurry Description
13.375 in	LEAD	80	12.5	2.12	0' - 116'	170	100%	Class C: Salt, Gel, Extender, LCM
	TAIL	200	14.8	1.34	116' - 300'	268		Class C: Retarder
9.625 in	LEAD	530	12.5	2.12	0' - 2789'	1130	25%	Class C: Salt, Gel, Extender, LCM
	TAIL	200	14.8	1.34	2789' - 3450'	268		Class C: Retarder
7 in	LEAD	180	12.5	2.12	4450' - 6976'	390	0%	Class C: Salt, Gel, Extender, LCM, Defoamer
	TAIL	450	15.6	1.18	6976' - 10416'	531		Class H: Retarder, Fluid Loss, Defoamer
4.5 in	LEAD	900	13.5	1.85	9516' - 23444'	1670	25%	Class H: Salt, Gel, Fluid Loss, Retarder, Dispersant, Defoamer, Anti-settling Agent

State of New Mexico  
Energy, Minerals and Natural Resources Department

Submit Electronically  
Via E-permitting

Oil Conservation Division  
1220 South St. Francis Dr.  
Santa Fe, NM 87505

### NATURAL GAS MANAGEMENT PLAN

This Natural Gas Management Plan must be submitted with each Application for Permit to Drill (APD) for a new or recompleted well.

#### Section 1 – Plan Description

Effective May 25, 2021

**I. Operator:** Mewbourne Oil Co. **OGRID:** 14744 **Date:** 10/2/25

**II. Type:**  Original  Amendment due to  19.15.27.9.D(6)(a) NMAC  19.15.27.9.D(6)(b) NMAC  Other.

If Other, please describe: \_\_\_\_\_

**III. Well(s):** Provide the following information for each new or recompleted well or set of wells proposed to be drilled or proposed to be recompleted from a single well pad or connected to a central delivery point.

Well Name	API	ULSTR	Footages	Anticipated Oil BBL/D	Anticipated Gas MCF/D	Anticipated Produced Water BBL/D
FORTY NINER RIDGE UNIT COM 157H		J 16 23S 30E	2515' FSL x 2220' FEL	1500	3500	4000
				Y1-400 Y2-300 Y3-200	Y1-900 Y2-700 Y3-500	Y1-900 Y2-700 Y3-500

**IV. Central Delivery Point Name:** FORTY NINER RIDGE UNIT COM 157H [See 19.15.27.9(D)(1) NMAC]

**V. Anticipated Schedule:** Provide the following information for each new or recompleted well or set of wells proposed to be drilled or proposed to be recompleted from a single well pad or connected to a central delivery point.

Well Name	API	Spud Date	TD Reached Date	Completion Commencement Date	Initial Flow Back Date	First Production Date
FORTY NINER RIDGE UNIT COM 157H		11/2/25	11/2/25	12/2/25	12/17/25	12/22/25

**VI. Separation Equipment:**  Attach a complete description of how Operator will size separation equipment to optimize gas capture.

**VII. Operational Practices:**  Attach a complete description of the actions Operator will take to comply with the requirements of Subsection A through F of 19.15.27.8 NMAC.

**VIII. Best Management Practices:**  Attach a complete description of Operator's best management practices to minimize venting during active and planned maintenance.

**Section 2 – Enhanced Plan**  
**EFFECTIVE APRIL 1, 2022**

Beginning April 1, 2022, an operator that is not in compliance with its statewide natural gas capture requirement for the applicable reporting area must complete this section.

Operator certifies that it is not required to complete this section because Operator is in compliance with its statewide natural gas capture requirement for the applicable reporting area.

**IX. Anticipated Natural Gas Production:**

Well	API	Anticipated Average Natural Gas Rate MCF/D	Anticipated Volume of Natural Gas for the First Year MCF

**X. Natural Gas Gathering System (NGGS):**

Operator	System	ULSTR of Tie-in	Anticipated Gathering Start Date	Available Maximum Daily Capacity of System Segment Tie-in

**XI. Map.**  Attach an accurate and legible map depicting the location of the well(s), the anticipated pipeline route(s) connecting the production operations to the existing or planned interconnect of the natural gas gathering system(s), and the maximum daily capacity of the segment or portion of the natural gas gathering system(s) to which the well(s) will be connected.

**XII. Line Capacity.** The natural gas gathering system  will  will not have capacity to gather 100% of the anticipated natural gas production volume from the well prior to the date of first production.

**XIII. Line Pressure.** Operator  does  does not anticipate that its existing well(s) connected to the same segment, or portion, of the natural gas gathering system(s) described above will continue to meet anticipated increases in line pressure caused by the new well(s).

Attach Operator’s plan to manage production in response to the increased line pressure.

**XIV. Confidentiality:**  Operator asserts confidentiality pursuant to Section 71-2-8 NMSA 1978 for the information provided in Section 2 as provided in Paragraph (2) of Subsection D of 19.15.27.9 NMAC, and attaches a full description of the specific information for which confidentiality is asserted and the basis for such assertion.

### **Section 3 - Certifications**

**Effective May 25, 2021**

Operator certifies that, after reasonable inquiry and based on the available information at the time of submittal:

Operator will be able to connect the well(s) to a natural gas gathering system in the general area with sufficient capacity to transport one hundred percent of the anticipated volume of natural gas produced from the well(s) commencing on the date of first production, taking into account the current and anticipated volumes of produced natural gas from other wells connected to the pipeline gathering system; or

Operator will not be able to connect to a natural gas gathering system in the general area with sufficient capacity to transport one hundred percent of the anticipated volume of natural gas produced from the well(s) commencing on the date of first production, taking into account the current and anticipated volumes of produced natural gas from other wells connected to the pipeline gathering system.

***If Operator checks this box, Operator will select one of the following:***

**Well Shut-In.**  Operator will shut-in and not produce the well until it submits the certification required by Paragraph (4) of Subsection D of 19.15.27.9 NMAC; or

**Venting and Flaring Plan.**  Operator has attached a venting and flaring plan that evaluates and selects one or more of the potential alternative beneficial uses for the natural gas until a natural gas gathering system is available, including:

- (a) power generation on lease;
- (b) power generation for grid;
- (c) compression on lease;
- (d) liquids removal on lease;
- (e) reinjection for underground storage;
- (f) reinjection for temporary storage;
- (g) reinjection for enhanced oil recovery;
- (h) fuel cell production; and
- (i) other alternative beneficial uses approved by the division.

### **Section 4 - Notices**

1. If, at any time after Operator submits this Natural Gas Management Plan and before the well is spud:

(a) Operator becomes aware that the natural gas gathering system it planned to connect the well(s) to has become unavailable or will not have capacity to transport one hundred percent of the production from the well(s), no later than 20 days after becoming aware of such information, Operator shall submit for OCD's approval a new or revised venting and flaring plan containing the information specified in Paragraph (5) of Subsection D of 19.15.27.9 NMAC; or

(b) Operator becomes aware that it has, cumulatively for the year, become out of compliance with its baseline natural gas capture rate or natural gas capture requirement, no later than 20 days after becoming aware of such information, Operator shall submit for OCD's approval a new or revised Natural Gas Management Plan for each well it plans to spud during the next 90 days containing the information specified in Paragraph (2) of Subsection D of 19.15.27.9 NMAC, and shall file an update for each Natural Gas Management Plan until Operator is back in compliance with its baseline natural gas capture rate or natural gas capture requirement.

2. OCD may deny or conditionally approve an APD if Operator does not make a certification, fails to submit an adequate venting and flaring plan which includes alternative beneficial uses for the anticipated volume of natural gas produced, or if OCD determines that Operator will not have adequate natural gas takeaway capacity at the time a well will be spud.

Page 8

I certify that, after reasonable inquiry, the statements in and attached to this Natural Gas Management Plan are true and correct to the best of my knowledge and acknowledge that a false statement may be subject to civil and criminal penalties under the Oil and Gas Act.

Signature:	<i>Bradley Bishop</i>
Printed Name:	BRADLEY BISHOP
Title:	REGULATORY MANAGER
E-mail Address:	BBISHOP@MEWBOURNE.COM
Date:	10/2/25
Phone:	575-393-5905
<b>OIL CONSERVATION DIVISION</b> <b>(Only applicable when submitted as a standalone form)</b>	
Approved By:	
Title:	
Approval Date:	
Conditions of Approval:	

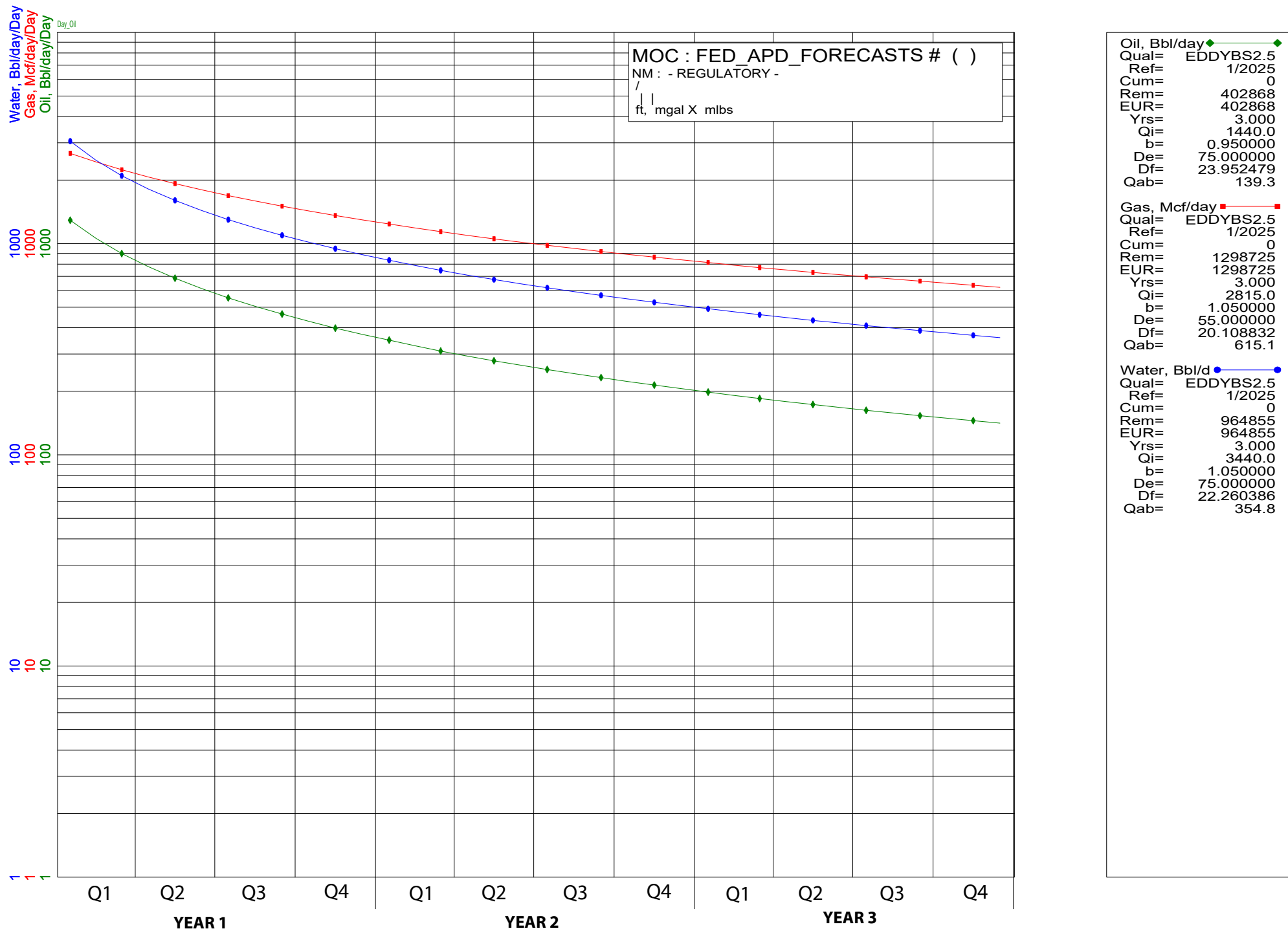
## Mewbourne Oil Company

## Natural Gas Management Plan – Attachment

- VI. Separation equipment will be sized by construction engineering staff based on stated manufacturer daily throughput capacities and anticipated daily production rates to ensure adequate capacity. Closed vent system piping, compression needs, and VRUs will be sized utilizing ProMax modelling software to ensure adequate capacity for anticipated production volumes and conditions.
- VII. Mewbourne Oil Company (MOC) will take following actions to comply with the regulations listed in 19.15.27.8 :
- A. MOC will maximize the recovery of natural gas by minimizing the waste, as defined by 19.15.2 NMAC, of natural gas through venting and flaring. MOC will ensure that well(s) will be connected to a natural gas gathering system with sufficient capacity to transport natural gas. If there is no adequate takeaway for the gas, well(s) will be shut in until the natural gas gathering system is available.
  - B. All drilling operations will be equipped with a rig flare located at least 100 ft from the nearest surface hole. Rig flare will be utilized to combust any natural gas that is brought to surface during normal drilling operations. In the case of emergency venting or flaring the volumes will be estimated and reported appropriately.
  - C. During completion operations any natural gas brought to surface will be flared. Immediately following the finish of completion operations, all well flow will be directed to permanent separation equipment. Produced natural gas from separation equipment will be sent to sales. It is not anticipated that gas will not meet pipeline standards. However, if natural gas does not meet gathering pipeline quality specifications, MOC will flare the natural gas for 60 days or until the natural gas meets the pipeline quality specifications, whichever is sooner. MOC will ensure that the flare is sized properly and is equipped with automatic igniter or continuous pilot. The gas sample will analyzed twice per week and the gas will be routed into a gathering system as soon as pipeline specifications are met.
  - D. Natural gas will not be flared with the exceptions and provisions listed in the 19.15.27.8 D.(1) through (4). If there is no adequate takeaway for the separator gas, well(s) will be shut in until the natural gas gathering system is available with exception of emergency or malfunction situations. Venting and/or flaring volumes will be estimated and reported appropriately.
  - E. MOC will comply with the performance standards requirements and provisions listed in 19.15.27.8 E.(1) through (8). All equipment will be designed and sized to handle maximum anticipated pressures and throughputs in order to minimize the waste. Production storage tanks constructed after May 25, 2021 will be equipped with automatic gauging system. Flares constructed after May 25, 2021 will be equipped with automatic igniter or continuous pilot. Flares will be located at least 100' from the well and storage tanks unless otherwise approved by the division. MOC will conduct AVO inspections as described in 19.15.27.8 E (5) (a) with frequencies specified in 19.15.27.8 E (5) (b) and (c). All emergencies will be resolved as quickly and safely as feasible to minimize waste.
  - F. The volume of natural gas that is vented or flared as the result of malfunction or emergency during drilling and completions operations will be estimated. The volume of natural gas that is vented, flared or beneficially used during production operations, will be measured or estimated. MOC will install equipment to measure

the volume of natural gas flared from existing process piping or a flowline piped from equipment such as high pressure separators, heater treaters, or vapor recovery units associated with a well or facility associated with a well authorized by an APD issued after May 25, 2021 that has an average daily production greater than 60 Mcf/day. If metering is not practicable due to circumstances such as low flow rate or low pressure venting and flaring, MOC will estimate the volume of vented or flared natural gas. Measuring equipment will conform to industry standards and will not be designed or equipped with a manifold that allows the diversion of natural gas around the metering element except for the sole purpose of inspecting and servicing the measurement equipment.

- VIII. For maintenance activities involving production equipment and compression, venting will be limited to the depressurization of the subject equipment to ensure safe working conditions. For maintenance of production and compression equipment the associated producing wells will be shut in to eliminate venting. For maintenance of VRUs all gas normally routed to the VRU will be routed to flare to eliminate venting.



## **Mewbourne Oil Company R-111Q Procedure**

Mewbourne Oil Company request permission to perform Open Hole Annulus procedure per R-111Q guidelines to be implemented as follows:

### **Production String**

a) The Production string shall consist new oil field casing in good condition that meets API specifications, rated for the loads expected over the lifecycle of the well.

b) For wells within the KPLA where a 2nd intermediate string will not be utilized resulting in a 3 String Design (Surface, Salt or Salt/Capitan Reef, Production), the following safeguard shall apply to safely divert flow of wellbore fluids away from the Salt Interval in the event of a catastrophic production casing failure. The Surface Equipment utilized during stimulation operations should be designed to relieve pressure from the production x intermediate casing annulus below the burst threshold of the casing string components.

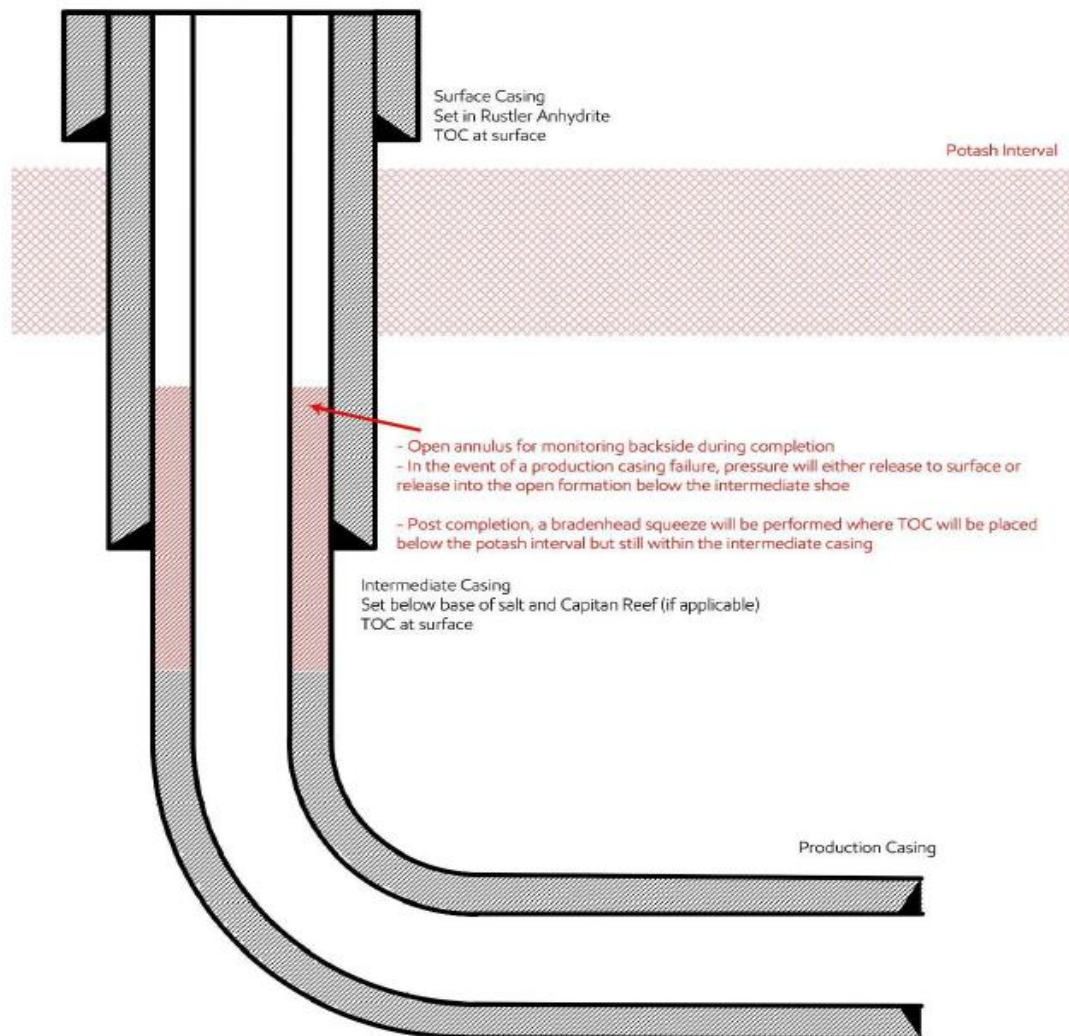
i. A monitored open annulus will be incorporated during completion by leaving the 1st Intermediate Casing x Production Casing annulus un-cemented and monitored inside the 1st Intermediate String. Reference wellbore diagram.

i. The top of cement in the Production Casing x 1st Intermediate Casing Annulus shall stand uncemented at least 500' below the 1st Intermediate Casing Shoe. Zero percent excess shall be pumped on the Production Cementing Slurry to ensure no tie-back into the 1st Intermediate Casing Shoe.

ii. After Stimulation Operations have been concluded and no longer than 180 days after the well is brought online, the operator will be responsible for Bradenheading cement to ensure at least a 500' tie back has been established inside the 1st Intermediate (Salt String / Capitan String) but not higher than Marker Bed No. 126 (base of the Potash mining interval).

iii. The top of cement may be estimated through pumped displacement volumes or with the use of a fluid shot tool prior to filling backside with fluid.

### 3-String Design – Open Production Casing Annulus



**Mewbourne Oil Company, Forty Niner Ridge Unit Com 157H**  
**Sec 16, T23S, R30E**  
**SHL: 2515' FSL 2220' FEL (Sec 16)**  
**BHL: 100' FNL 1430' FEL (Sec 4)**

Casing Program Design A						BLM Minimum Safety Factors	1.125	1.0	1.6 Dry	1.6 Dry
								1.8 Wet	1.8 Wet	
String	Hole Size	Top MD	Top TVD	Bot MD	Bot TVD	Csg. Size	SF Collapse	SF Burst	SF Jt Tension	SF Body Tension
Surface	17.5"	0'	0'	300'	300'	13.375" 48# H40 STC	5.74	12.90	22.36	37.57
Intermediate	12.25"	0'	0'	3385'	3385'	9.625" 36# J55 LTC	1.13	1.96	3.64	4.53
Intermediate	12.25"	3385'	3385'	3450'	3450'	9.625" 40# J55 LTC	1.41	2.16	200.00	242.31
Production	8.75"	0'	0'	9516'	9471'	7" 26# P110 LTC	1.30	2.08	2.80	3.35
Liner	6.125"	9316'	9297'	23444'	10034'	4.5" 13.5# P110 LTC	1.78	2.07	1.77	2.21

**Cement Program**

Casing		# Sacks	Wt. lb/gal	Yield ft <sup>3</sup> /sack	TOC/BOC	Volume ft <sup>3</sup>	% Excess	Slurry Description
13.375 in	LEAD	80	12.5	2.12	0' - 116'	170	100%	Class C: Salt, Gel, Extender, LCM
	TAIL	200	14.8	1.34	116' - 300'	268		Class C: Retarder
9.625 in	LEAD	530	12.5	2.12	0' - 2789'	1130	25%	Class C: Salt, Gel, Extender, LCM
	TAIL	200	14.8	1.34	2789' - 3450'	268		Class C: Retarder
7 in	LEAD	140	12.5	2.12	4450' - 6419'	300	0%	Class C: Salt, Gel, Extender, LCM, Defoamer
	TAIL	400	15.6	1.18	6419' - 9516'	472		Class H: Retarder, Fluid Loss, Defoamer
<b>7" TOC @ 4450', BHS TOC @ 2950'</b>								
Braden Head Sqz	LEAD	210	14.8	1.34	2950' - 4450'	290	25%	Class C
4.5 in	LEAD	900	13.5	1.85	9316' - 23444'	1670	25%	Class H: Salt, Gel, Fluid Loss, Retarder, Dispersant, Defoamer, Anti-settling Agent

Casing Program Design B						BLM Minimum Safety Factors	1.125	1.0	1.6 Dry	1.6 Dry
								1.8 Wet	1.8 Wet	
String	Hole Size	Top MD	Top TVD	Bot MD	Bot TVD	Csg. Size	SF Collapse	SF Burst	SF Jt Tension	SF Body Tension
Surface	17.5"	0'	0'	300'	300'	13.375" 48# H40 STC	5.74	12.90	22.36	37.57
Intermediate	12.25"	0'	0'	3385'	3385'	9.625" 36# J55 LTC	1.13	1.96	3.64	4.53
Intermediate	12.25"	3385'	3385'	3450'	3450'	9.625" 40# J55 LTC	1.41	2.16	200.00	242.31
Production	8.75"	0'	0'	10416'	10044'	7" 26# HCP110 LTC	1.54	1.96	2.56	3.06
Liner	6.125"	9516'	9471'	23444'	10034'	4.5" 13.5# P110 LTC	1.78	2.07	1.80	2.24

**Design B - Cement Program**

Casing		# Sacks	Wt. lb/gal	Yield ft <sup>3</sup> /sack	TOC/BOC	Volume ft <sup>3</sup>	% Excess	Slurry Description
13.375 in	LEAD	80	12.5	2.12	0' - 116'	170	100%	Class C: Salt, Gel, Extender, LCM
	TAIL	200	14.8	1.34	116' - 300'	268		Class C: Retarder
1st Stg 9.625 in	LEAD	510	12.5	2.12	0' - 2769'	1090	25%	Class C: Salt, Gel, Extender, LCM
	TAIL	200	14.8	1.34	2769' - 3450'	268		Class C: Retarder
7 in	LEAD	180	12.5	2.12	4450' - 6976'	390	0%	Class C: Salt, Gel, Extender, LCM, Defoamer
	TAIL	450	15.6	1.18	6976' - 10416'	531		Class H: Retarder, Fluid Loss, Defoamer
<b>7" TOC @ 4450', BHS TOC @ 2950'</b>								
Braden Head Sqz	LEAD	210	14.8	1.34	2950' - 4450'	290	25%	Class C
4.5 in	LEAD	880	13.5	1.85	9516' - 23444'	1630	25%	Class H: Salt, Gel, Fluid Loss, Retarder, Dispersant, Defoamer, Anti-settling Agent



## Mewbourne Oil Co.

### BOP Break Testing Variance

Mewbourne Oil Company requests a variance from the minimum standards for well control equipment testing of 43 CFR 3172 to allow a testing schedule of the blow out preventer (BOP) and blow out prevention equipment (BOPE) along with batch drilling & offline cementing operations. Modern rig upgrades which facilitate pad drilling allow the BOP stack to be moved between wells on a multi-well pad without breaking any BOP stack components apart. Widespread use of these technologies has led to break testing BOPE being endorsed as safe and reliable. American Petroleum Institute (API) best practices are frequently used by regulators to develop their regulations. API Standard 53, *Well Control Equipment Systems for Drilling Wells* (5<sup>th</sup> Ed., Dec. 2018) Section 5.3.7.1 states "A pressure test of the pressure containing component shall be performed following the disconnection or repair, limited to the affected component."

### Procedures

1. Full BOPE test at first installation on the pad.
  - Full BOPE test at least every 21 days.
  - Function test BOP elements per 43 CFR 3172.
  - Contact the BLM if a well control event occurs.
2. After the well section is secured and the well is confirmed to be static, the BOP will be disconnected from the wellhead and walked with the rig to another well on the pad. Two breaks on the BOPE will be made (Fig. 1).
  - Connection between the flex line and the HCR valve
  - Connection between the wellhead and the BOP quick connect (Fig. 5 & 6).
3. A capping flange will be installed after cementing per wellhead vendor procedure & casing pressure will be monitored via wellhead valve.
4. The BOP will be removed and carried by a hydraulic carrier (Fig. 3 & 4).
5. The rig will then walk to the next well.
6. Confirm that the well is static and remove the capping flange.
7. The connection between the flex line and HCR valve and the connection between the wellhead and the BOP quick connect will be reconnected.
8. Install a test plug into the wellhead.
9. A test will then be conducted against the upper pipe rams and choke, testing both breaks (Fig. 1 & 2).
10. The test will be held at 250 psi low and to the high value submitted in the APD, not to exceed 5000 psi.
11. The annular, blind rams and lower pipe rams will then be function tested.
12. If a pad consists of three or more wells, steps 4 through 11 will be repeated.



13. A break test will only be conducted if the intermediate section can be drilled and cased within 21 days of the last full BOPE test.

## **Barriers**

### **Before Nipple Down:**

- Floats in casing
- Kill weight fluid in casing
- Kill weight fluid in annulus
- Solid body mandrel and/or packoff

### **After Nipple Down:**

- Floats in casing
- Kill weight fluid in casing
- Kill weight fluid in annulus
- Solid body mandrel and/or packoff
- Offline cementing tool and/or cement head
- Capping flange after cementing

## **Summary**

A variance is requested to only test broken pressure seals on the BOPE when moving between wells on a multi-well pad if the following conditions are met:

- A full BOPE test is conducted on the first well on the pad. API Standard 53 requires testing annular BOP to 70% of RWP or 100% of MASP, whichever is greater.
- If the first well on the pad is not the well with the deepest intermediate section, a full BOPE test will also be performed when moving to a deeper well.
- The hole section being drilled has a MASP under 5000 psi.
- If a well control event occurs, Mewbourne will contact BLM for permission to continue break testing.
- If significant (>50%) losses occur, full BOPE testing will be required going forward.
- Full BOPE test will be required prior to drilling the production hole.

While walking the rig, the BOP stack will be secured via hydraulic winch or hydraulic carrier. A full BOPE test will be performed at least every 21 days.

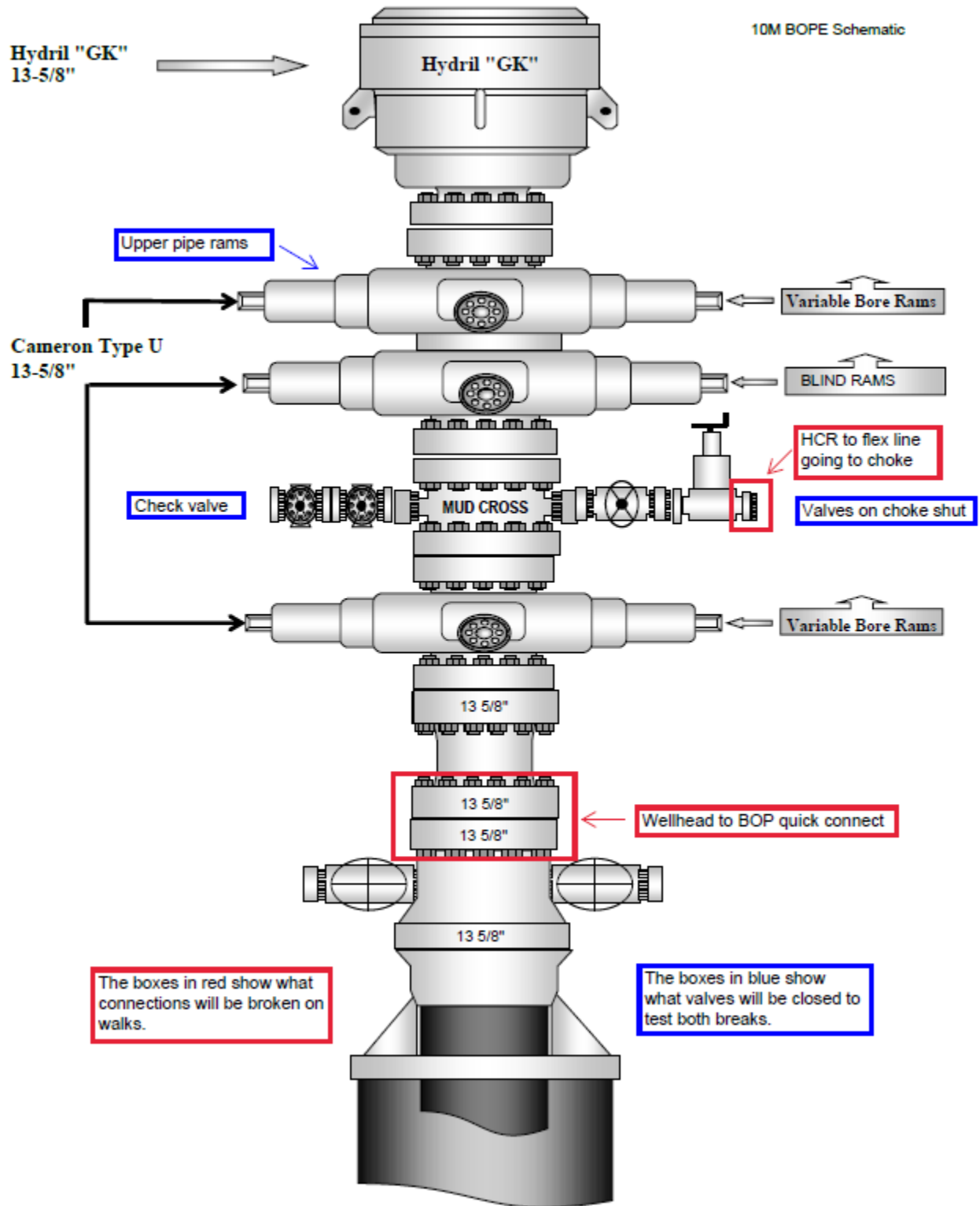
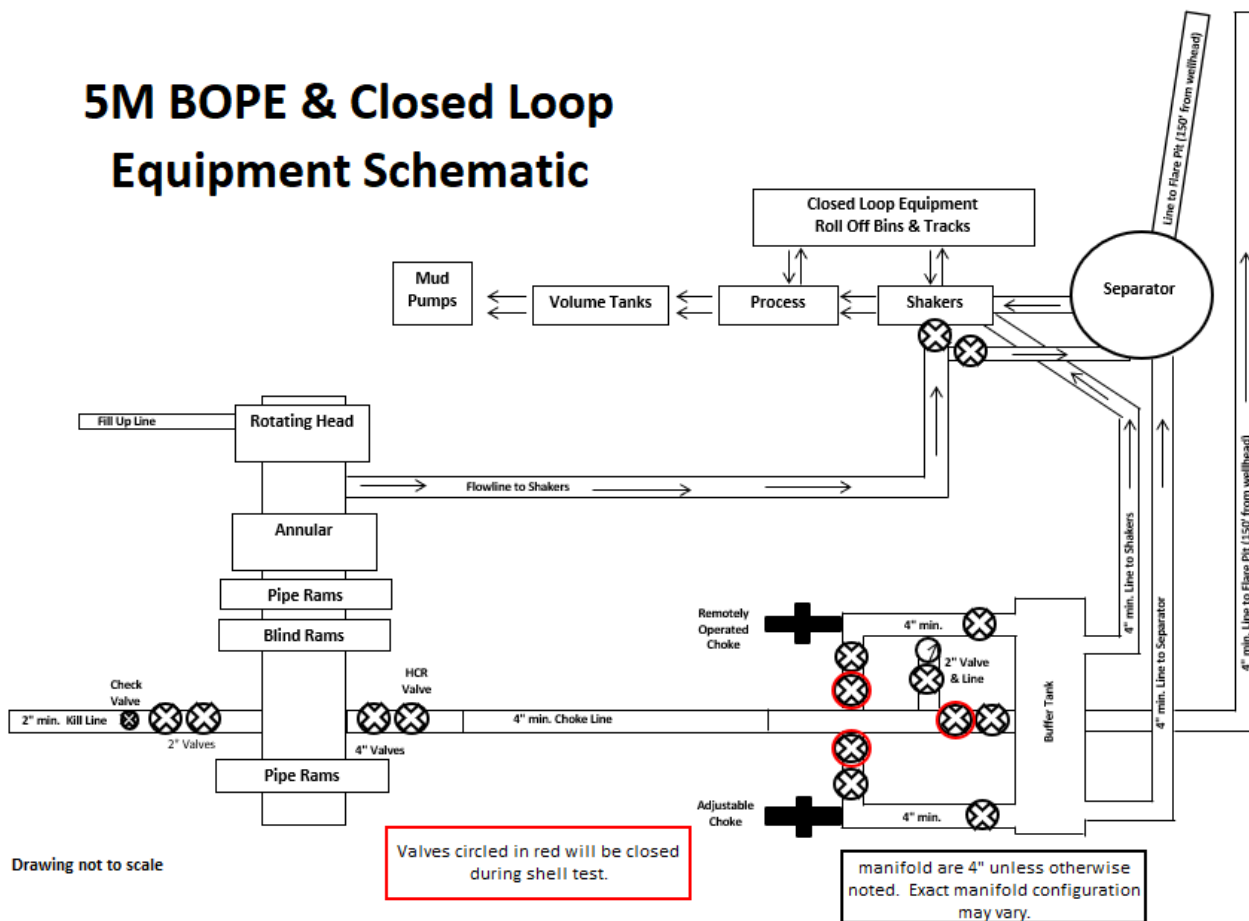


Figure 1. BOP diagram



# 5M BOPE & Closed Loop Equipment Schematic



Drawing not to scale

Valves circled in red will be closed during shell test.

manifold are 4" unless otherwise noted. Exact manifold configuration may vary.

Figure 2. BOPE diagram



Figure 3. BOP handling system



Figure 4. BOP handling system

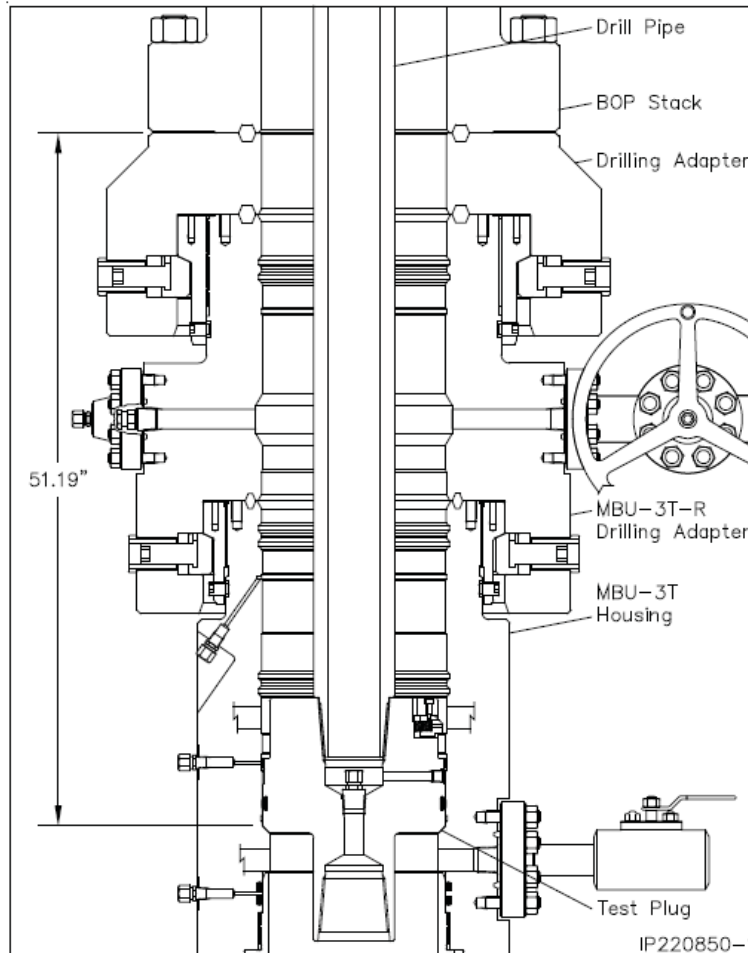


Figure 5. Cactus 5M wellhead with BOP quick connect

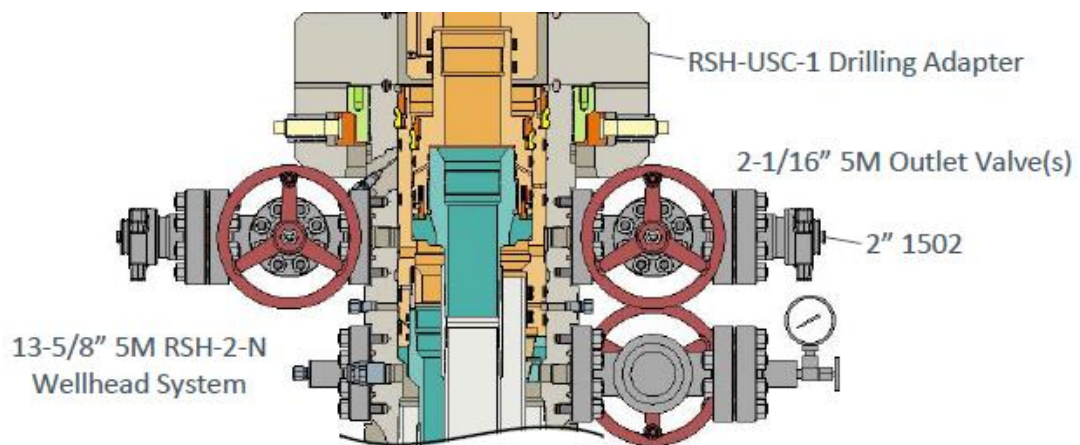


Figure 6. Vault 5M wellhead with BOP quick connect



## Mewbourne Oil Co.

### Surface & Intermediate Offline Cementing Variance

Mewbourne Oil Company requests a variance to perform offline cementing for surface and intermediate casing strings with the following conditions:

- Offline cementing will not be performed on production casing.
- Offline cementing will not be performed on a hole section with MASP > 5000 psi.
- Offline cementing will not be performed concurrently with offset drilling.

### Surface Casing Order of Operations:

1. Run 13 3/8" surface casing as per normal operations (TPGS and float collar).
2. Perform negative pressure test to confirm integrity of float equipment while running casing.
3. Confirm well is static.
4. Make up 13 5/8" wellhead or wellhead landing ring assembly and land on 20" conductor.
5. Fill pipe, circulate casing capacity and confirm float(s) are still holding.
6. Confirm well is static.
7. Back out landing joint and pull to rig floor. Lay down landing joint.
8. Walk rig to next well on pad with cement crew standing by to rig up.
9. Make up offline cement tool with forklift per wellhead manufacturer (Fig. 1 & 2).
10. Make up cement head on top of offline cement tool with forklift.
11. Commence cement operations.
12. If cement circulates, confirm well is static and proceed to step 16.
13. If cement does not circulate, notify the appropriate BLM office, wait a minimum of six hours, and run a temperature survey to determine the top of cement.
14. Use 1" pipe for remedial cement job until the surface casing is cemented to surface.
15. Confirm well is static.
16. Once cement job is complete, the cement head and offline cementing tool are removed. The wellhead technician returns to cellar to install wellhead/valves.
17. Install wellhead capping flange.

### Barriers

#### Before Walk:

- Float(s) in casing
- Kill weight fluid in casing
- Kill weight fluid in annulus



**After Walk:**

- Float(s) in casing
- Kill weight fluid in casing
- Kill weight fluid in annulus
- Offline cementing tool tested to 5000 psi and cement head
- Capping flange after cementing

**20" Surface Casing Order of Operations (4 string area):**

1. Run 20" surface casing as per normal operations (TPGS and float collar).
2. Perform negative pressure test to confirm integrity of float equipment while running casing.
3. Fill pipe, circulate casing capacity and confirm float(s) are still holding.
4. Confirm well is static.
5. Back out landing joint and pull to rig floor. Lay down landing joint.
6. Make up cement head.
7. Walk rig to next well on pad with cement crew standing by to rig up.
8. Commence cement operations.
9. If cement circulates, confirm well is static and proceed to step 13.
10. If cement does not circulate, notify the appropriate BLM office, wait a minimum of six hours, and run a temperature survey to determine the top of cement.
11. Use 1" pipe for remedial cement job until the surface casing is cemented to surface.
12. Confirm well is static.
13. Once cement job is complete, remove cement head and install cap.

**Barriers**

**Before Walk:**

- Float(s) in casing
- Kill weight fluid in casing
- Kill weight fluid in annulus
- Cement Head

**After Walk:**

- Float(s) in casing
- Kill weight fluid in casing
- Kill weight fluid in annulus
- Cement head
- Capping flange after cementing



### **Intermediate Casing Order of Operations:**

1. Run casing as per normal operations (float shoe and float collar).
2. Perform negative pressure test to confirm integrity of float equipment while running casing.
3. Confirm well is static (if running SBM).
4. Land casing.
5. Fill pipe, circulate casing capacity and confirm floats are still holding.
6. Confirm well is static.
7. Back out landing joint and pull to rig floor. Lay down landing joint. Install packoff & test.
8. Nipple down BOP.
9. Walk rig to next well on pad with cement crew standing by to rig up.
10. Make up offline cement tool using forklift per wellhead manufacturer (Fig. 3 - 8).
11. Make up cement head on top of offline cement tool.
12. Commence cement operations.
13. If cement circulates, confirm well is static and proceed to step 16.
14. If cement does not circulate (when required), notify the appropriate BLM office, wait a minimum of six hours, and run a temperature survey to determine the top of cement.
15. Pump remedial cement job if required.
16. Confirm well is static.
17. Remove cement head and offline cementing tool.
18. Install wellhead capping flange and test.

### **Barriers**

#### **Before Nipple Down:**

- Floats in casing
- Kill weight fluid in casing
- Kill weight fluid in annulus
- Solid body mandrel and/or packoff

#### **After Nipple Down:**

- Floats in casing
- Kill weight fluid in casing
- Kill weight fluid in annulus
- Solid body mandrel and/or packoff
- Offline cementing tool tested to 5000 psi and cement head
- Capping flange after cementing



**Risks:**

- Pressure build up in annulus before cementing
  - Contact BLM if a well control event occurs.
  - Rig up 3<sup>rd</sup> party pump or rig pumps to pump down casing and kill well.
  - Returns will be taken through the wellhead valves to a choke manifold (Fig 9 & 10).
  - Well could also be killed through the wellhead valves down the annulus.

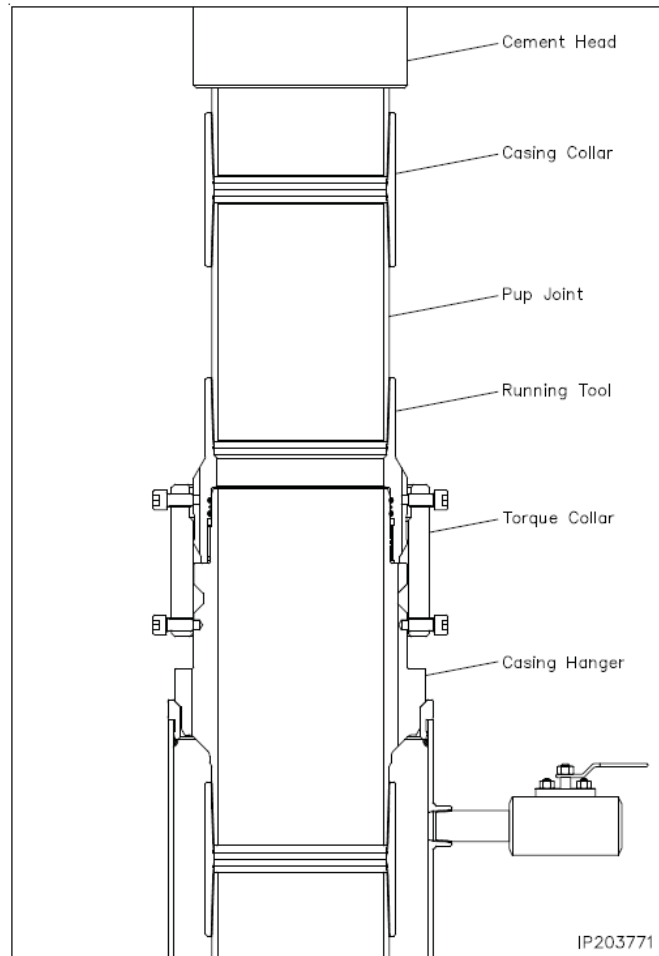


Figure 1. Cactus 13 3/8" 5M offline cementing tool. Pressure rating limited by the lesser of 5M tool rating or the 13 3/8" pup joint and casing.

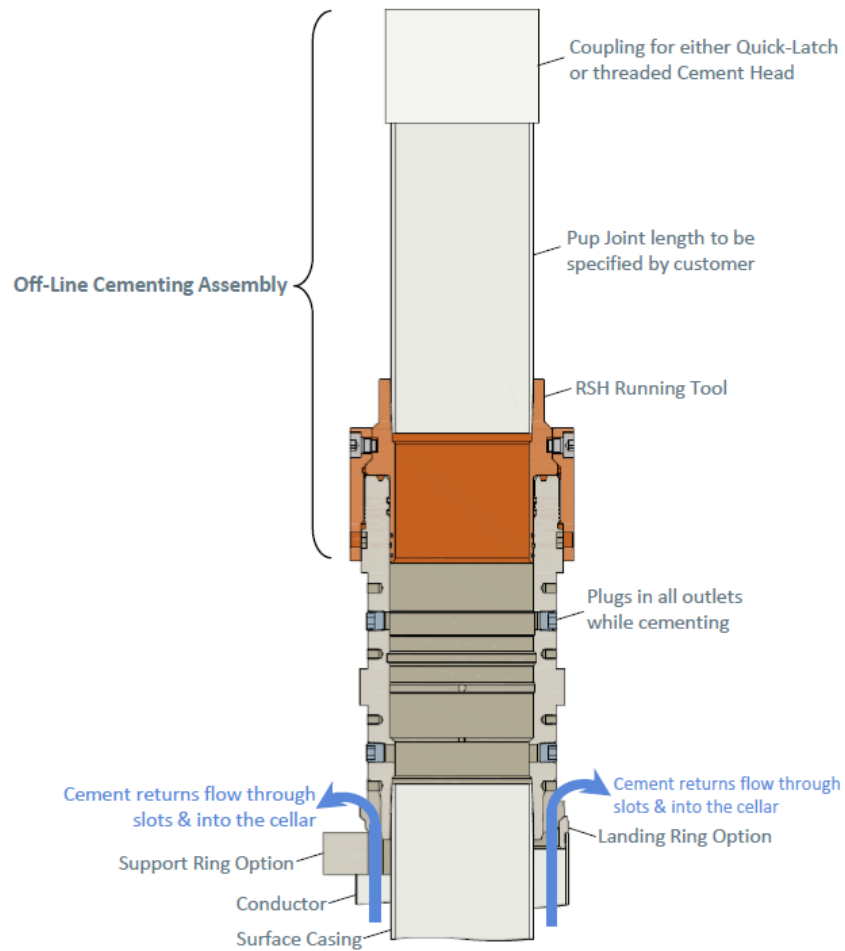


Figure 2. Vault 13 3/8" 5M offline cementing tool. Pressure rating limited by the lesser of 5M tool rating or the 13 3/8" pup joint and casing.

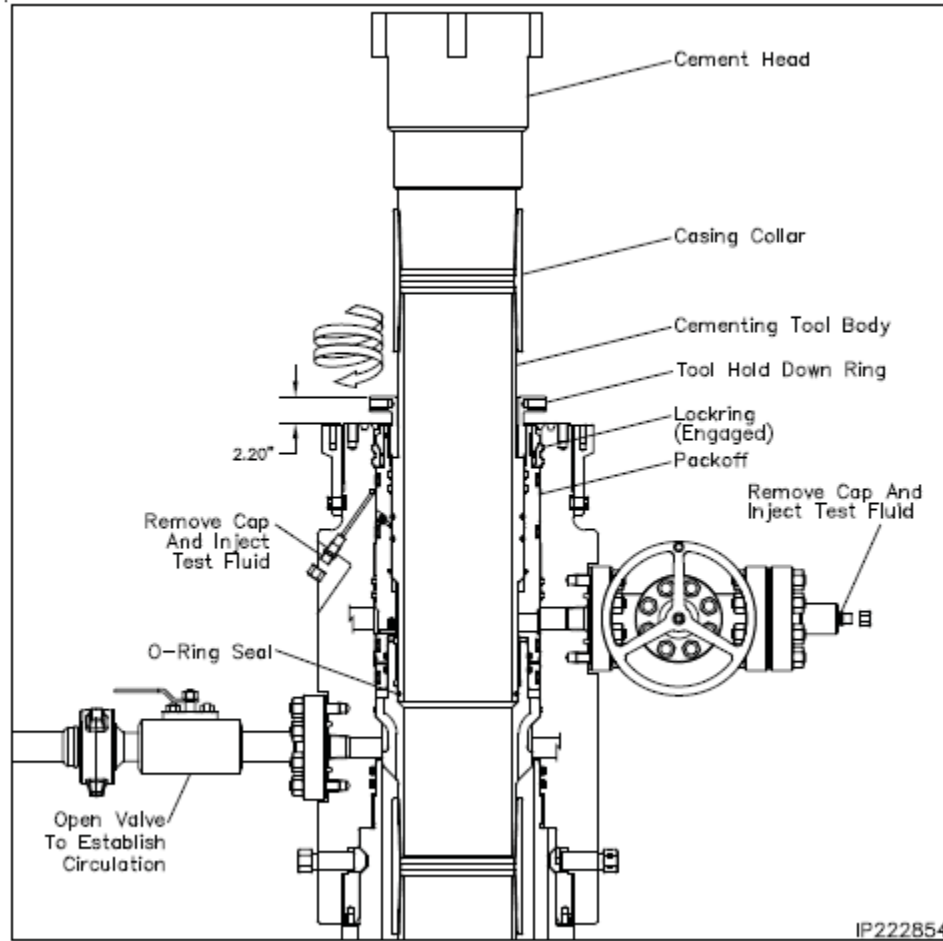


Figure 3. Cactus 9 5/8" 5M offline cementing tool. Pressure rating limited by the lesser of 5M tool rating or the 9 5/8" pup joint and casing.

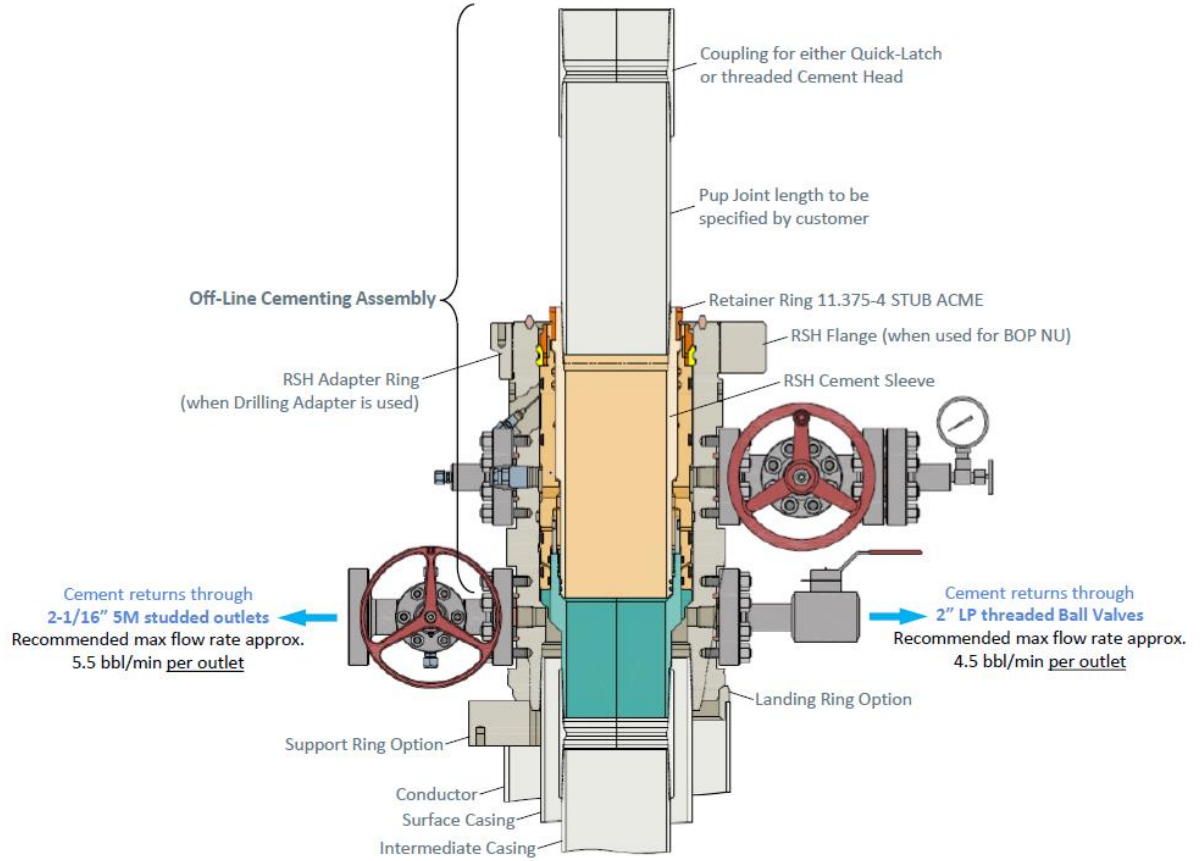


Figure 4. Vault 9 5/8" 5M offline cementing tool. Pressure rating limited by the lesser of 5M tool rating or the 9 5/8" pup joint and casing.

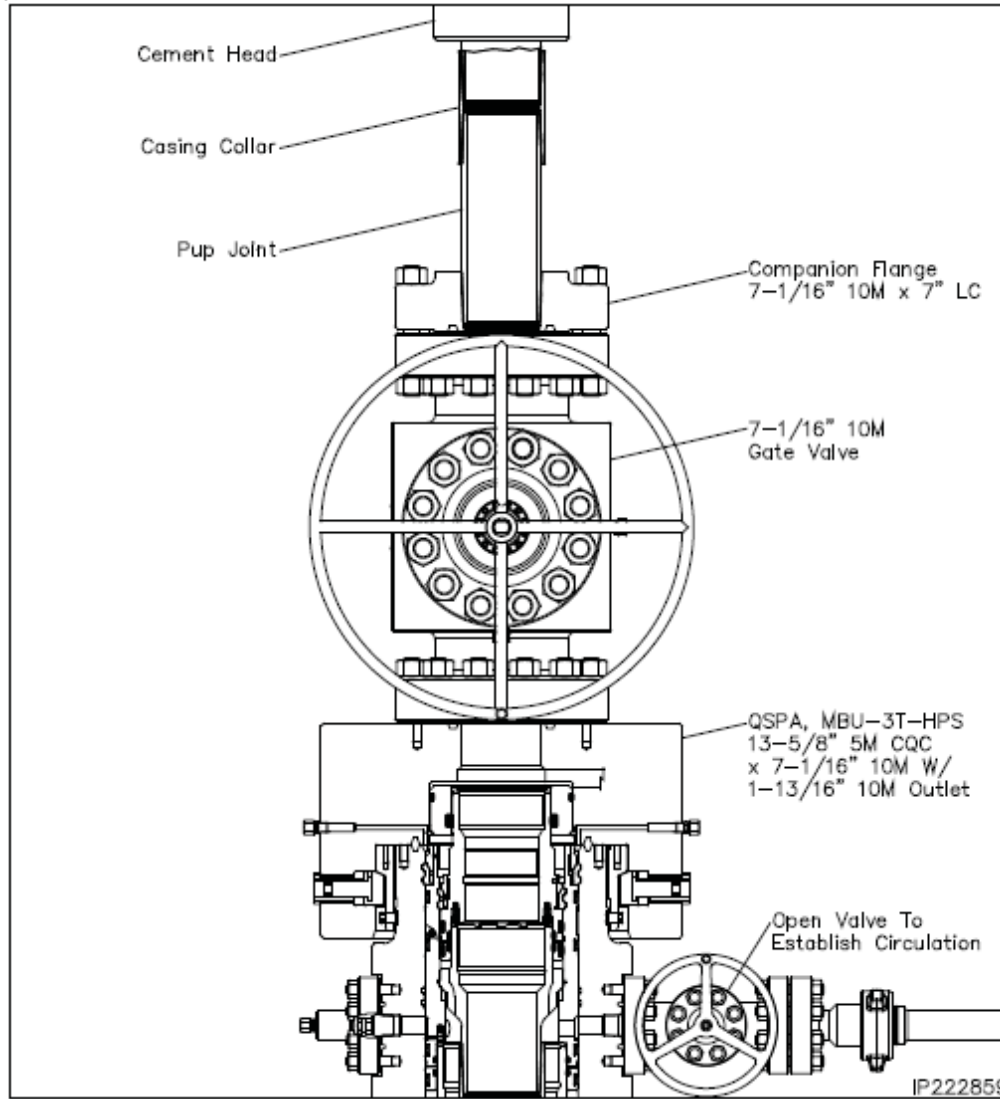


Figure 5. Cactus 7" 5M offline cementing tool. Pressure rating limited by the lesser of 5M tool rating or the 7" pup joint and casing.

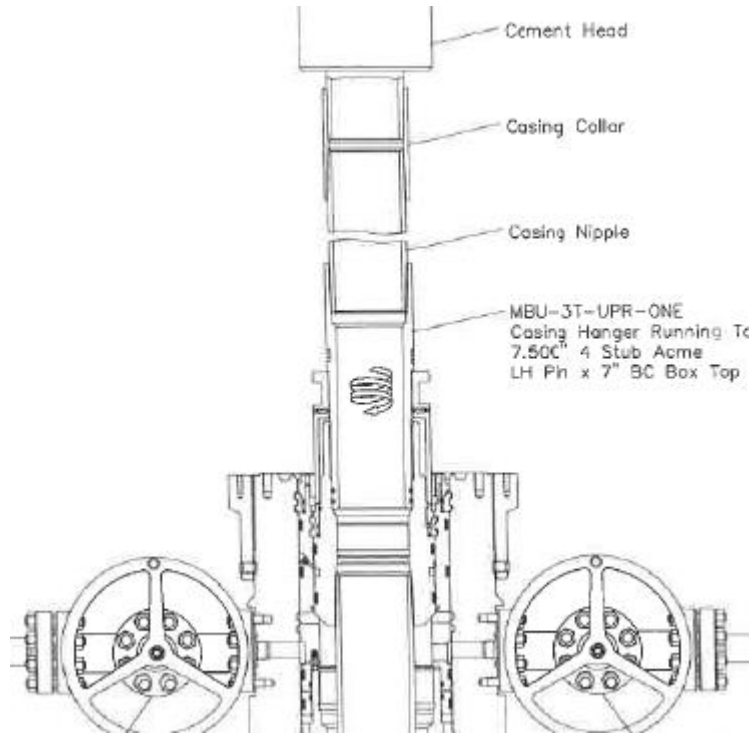


Figure 6. Cactus 7" 5M offline cementing tool. Pressure rating limited by the lesser of 5M tool rating or the 7" pup joint and casing.

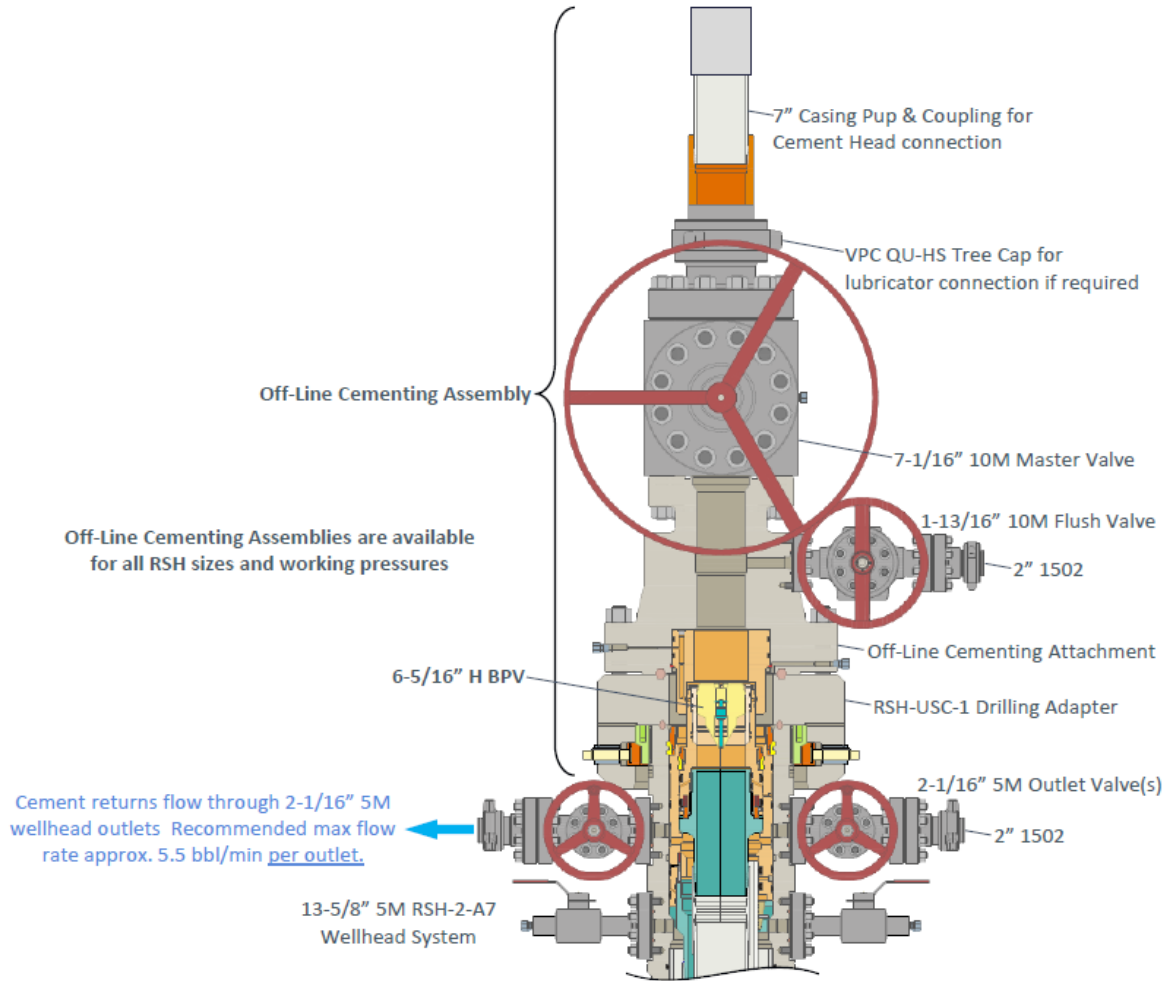


Figure 7. Vault 7" 5M offline cementing tool. Pressure rating limited by the lesser of 5M tool rating or the 7" pup joint and casing.

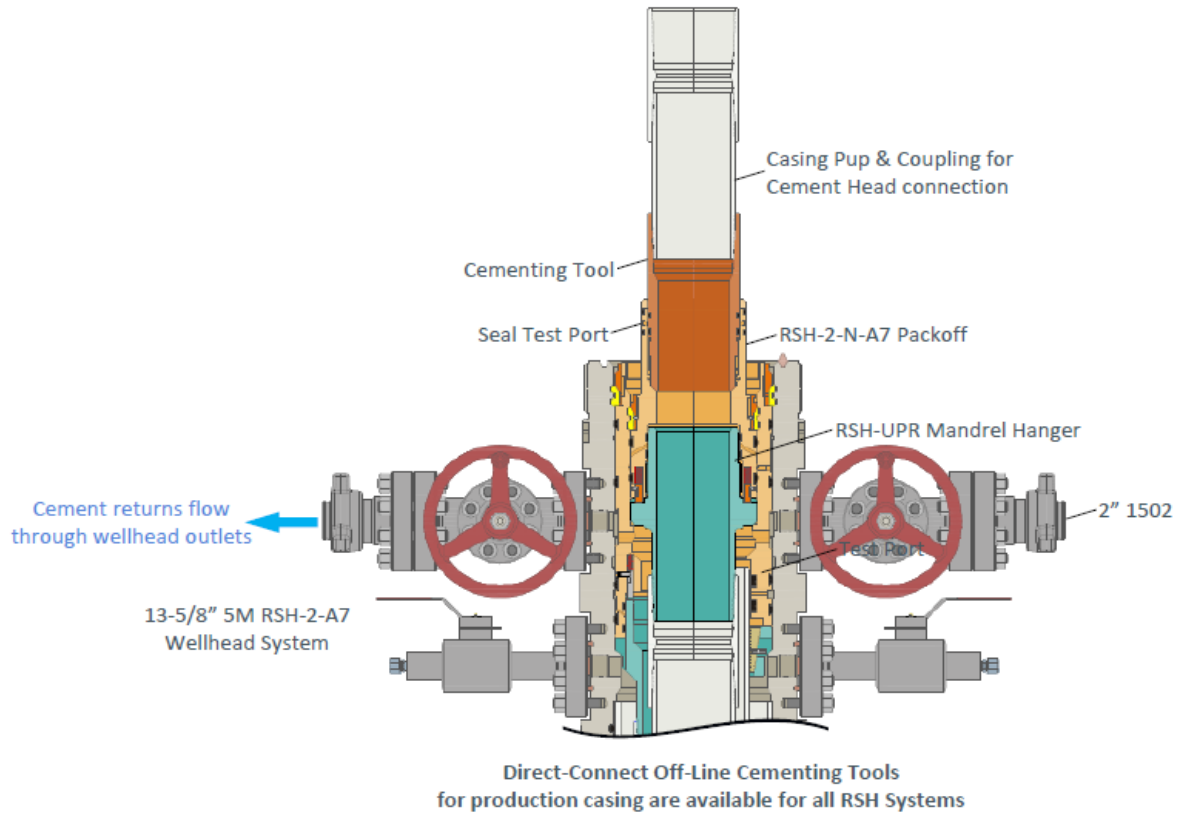


Figure 8. Vault 7" 5M offline cementing tool. Pressure rating limited by the lesser of 5M tool rating or the 7" pup joint and casing.

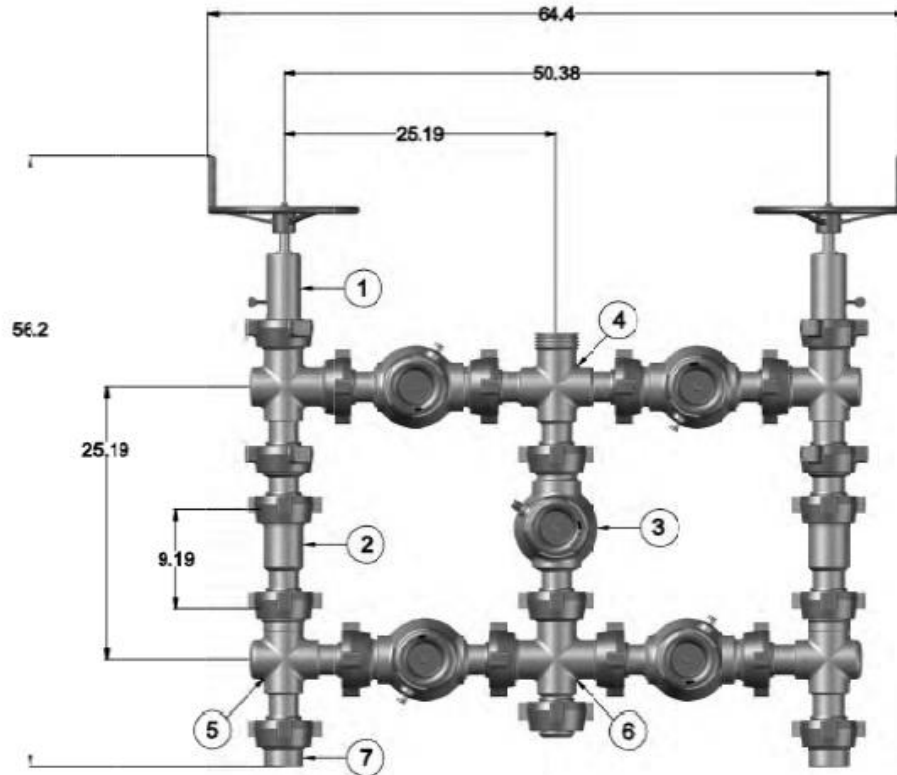


Figure 9. Five valve 15k choke manifold.

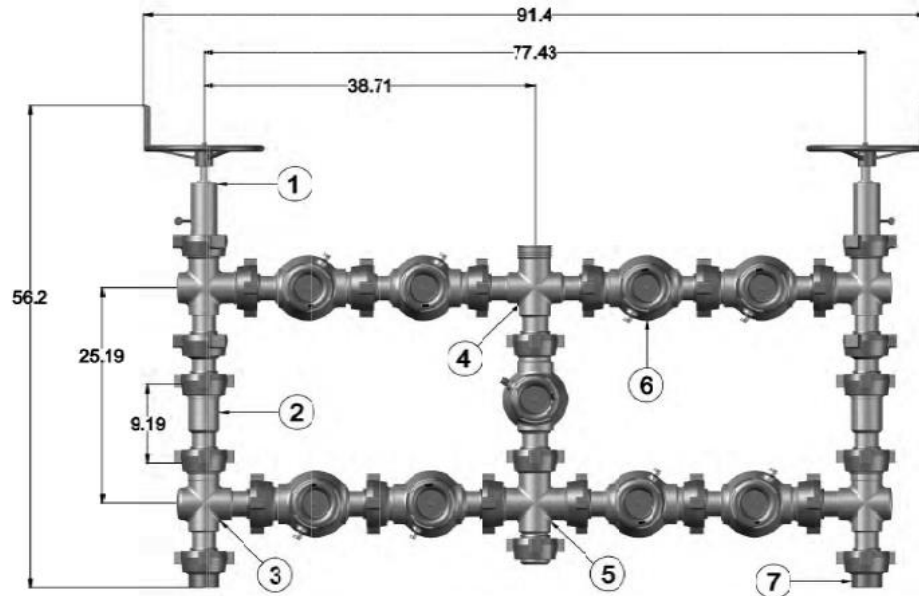


Figure 10. Nine valve 15k choke manifold.



U.S. Department of the Interior  
BUREAU OF LAND MANAGEMENT

# SUPO Data Report

01/05/2026

APD ID: 10400107625

Submission Date: 10/30/2025

Highlighted data reflects the most recent changes

Operator Name: MEWBOURNE OIL COMPANY

Well Name: FORTY NINER RIDGE UNIT COM

Well Number: 157H

[Show Final Text](#)

Well Type: OIL WELL

Well Work Type: Drill

## Section 1 - Existing Roads

Will existing roads be used? YES

Existing Road Map:

FORTY\_NINER\_RIDGE\_UNIT\_COM\_157H\_ExistingRoadMap\_20251002140811.pdf

Existing Road Purpose: ACCESS,FLUID TRANSPORT

Row(s) Exist? NO

**ROW ID(s)**

ID:

Do the existing roads need to be improved? NO

Existing Road Improvement Description:

Existing Road Improvement Attachment:

## Section 2 - New or Reconstructed Access Roads

Will new roads be needed? NO

Other Description:

**Operator Name:** MEWBOURNE OIL COMPANY

**Well Name:** FORTY NINER RIDGE UNIT COM

**Well Number:** 157H

### Section 3 - Location of Existing Wells

**Existing Wells Map?** YES

**Existing Well map Attachment:**

FORTY\_NINER\_RIDGE\_UNIT\_COM\_157H\_ExistingWellMap\_20251002140823.pdf

### Section 4 - Location of Existing and/or Proposed Production Facilities

**Submit or defer a Proposed Production Facilities plan?** SUBMIT

**Production Facilities description:** The battery is located in NESW of Sec. 16 in T23S R30E. These wells will flow to pre-existing infrastructure. We will use the existing 3-4in & 1-8in buried FlexSteel flowlines, with a working pressure of 250# (approx. 2200), 1-4.5in buried steel gas lift injection lines with a working pressure of 1200# (approx. 2700), 1-4in buried poly gas supply lines with working pressure of 150# (approx. 2000), & 1-2in buried poly air supply line with working pressure of 150# (approx. 2000). These lines are installed in one ditch following the attached route, going back to the Forty Niner Ridge Unit 16/4 Battery #1. An overhead electric line is also installed within 15 of the flowline route (approx. 3800 & up to 22900 volts)

**Production Facilities map:**

FORTY\_NINER\_RIDGE\_UNIT\_COM\_157H\_ProductionFacilityMap\_20251009101927.pdf

### Section 5 - Location and Types of Water Supply

#### Water Source Table

**Water source type:** RECYCLED

**Water source use type:** DUST CONTROL  
CAMP USE  
SURFACE CASING  
INTERMEDIATE/PRODUCTION CASING  
STIMULATION

**Source latitude:** 32.301162

**Source longitude:** -103.886793

**Source datum:** NAD83

**City:**

**Water source permit type:** WATER WELL  
OTHER

**Water source transport method:** PIPELINE

**Source land ownership:** STATE

**Operator Name:** MEWBOURNE OIL COMPANY

**Well Name:** FORTY NINER RIDGE UNIT COM

**Well Number:** 157H

**Source transportation land ownership:** FEDERAL

**Water source volume (barrels):** 1940

**Source volume (acre-feet):** 0.2500526

**Source volume (gal):** 81480

**Water source and transportation**

FORTY\_NINER\_RIDGE\_UNIT\_COM\_157H\_WaterSourceTransMap\_20251002140839.pdf

**Water source comments:**

**New water well?** N

**New Water Well Info**

**Well latitude:**

**Well Longitude:**

**Well datum:**

**Well target aquifer:**

**Est. depth to top of aquifer(ft):**

**Est thickness of aquifer:**

**Aquifer comments:**

**Aquifer documentation:**

**Well depth (ft):**

**Well casing type:**

**Well casing outside diameter (in.):**

**Well casing inside diameter (in.):**

**New water well casing?**

**Used casing source:**

**Drilling method:**

**Drill material:**

**Grout material:**

**Grout depth:**

**Casing length (ft.):**

**Casing top depth (ft.):**

**Well Production type:**

**Completion Method:**

**Water well additional information:**

**State appropriation permit:**

**Additional information attachment:**

**Section 6 - Construction Materials**

**Using any construction materials:** YES

**Construction Materials description:** LAT: 32.309023 LONG: -103.885834 SEC 16 23S 30E

**Construction Materials source location**

FORTY\_NINER\_RIDGE\_UNIT\_COM\_157H\_CalicheSourceTransMap\_20251002140851.pdf

**Operator Name:** MEWBOURNE OIL COMPANY

**Well Name:** FORTY NINER RIDGE UNIT COM

**Well Number:** 157H

**Section 7 - Methods for Handling**

**Waste type:** DRILLING

**Waste content description:** Drill cuttings

**Amount of waste:** 940 barrels

**Waste disposal frequency :** One Time Only

**Safe containment description:** Drill cuttings will be properly contained in steel tanks (20 yard roll off bins.)

**Safe containmant attachment:**

**Waste disposal type:** HAUL TO COMMERCIAL FACILITY      **Disposal location ownership:** PRIVATE

**Disposal type description:**

**Disposal location description:** NMOCD approved waste disposal locations are CRI or Lea Land, both facilities are located on HWY 62/180, Sec. 27 T20S R32E.

**Waste type:** GARBAGE

**Waste content description:** Garbage & trash

**Amount of waste:** 1500 pounds

**Waste disposal frequency :** One Time Only

**Safe containment description:** Enclosed trash trailer

**Safe containmant attachment:**

**Waste disposal type:** HAUL TO COMMERCIAL FACILITY      **Disposal location ownership:** PRIVATE

**Disposal type description:**

**Disposal location description:** Waste Management facility in Carlsbad.

**Waste type:** SEWAGE

**Waste content description:** Human waste & grey water

**Amount of waste:** 1500 gallons

**Waste disposal frequency :** Weekly

**Safe containment description:** 2,000 gallon plastic container

**Safe containmant attachment:**

**Waste disposal type:** HAUL TO COMMERCIAL FACILITY      **Disposal location ownership:** PRIVATE

**Disposal type description:**

**Disposal location description:** City of Carlsbad Water Treatment facility

**Reserve Pit**

**Reserve Pit being used?** NO

**Operator Name:** MEWBOURNE OIL COMPANY

**Well Name:** FORTY NINER RIDGE UNIT COM

**Well Number:** 157H

**Temporary disposal of produced water into reserve pit?** NO

**Reserve pit length (ft.)**

**Reserve pit width (ft.)**

**Reserve pit depth (ft.)**

**Reserve pit volume (cu. yd.)**

**Is at least 50% of the reserve pit in cut?**

**Reserve pit liner**

**Reserve pit liner specifications and installation description**

### Cuttings Area

**Cuttings Area being used?** NO

**Are you storing cuttings on location?** N

**Description of cuttings location**

**Cuttings area length (ft.)**

**Cuttings area width (ft.)**

**Cuttings area depth (ft.)**

**Cuttings area volume (cu. yd.)**

**Is at least 50% of the cuttings area in cut?**

**Cuttings area liner**

**Cuttings area liner specifications and installation description**

### Section 8 - Ancillary

**Are you requesting any Ancillary Facilities?:** N

**Ancillary Facilities**

**Comments:**

### Section 9 - Well Site

**Well Site Layout Diagram:**

FORTY\_NINER\_RIDGE\_UNIT\_COM\_157H\_WellSiteLayout\_20251002140906.pdf

**Comments:** NONE

**Operator Name:** MEWBOURNE OIL COMPANY

**Well Name:** FORTY NINER RIDGE UNIT COM

**Well Number:** 157H

### Section 10 - Plans for Surface

**Type of disturbance:** New Surface Disturbance

**Multiple Well Pad Name:** FORTY NINER RIDGE UNIT COM 154 155  
156 157 158 159 160

**Multiple Well Pad Number:** 8

#### Recontouring

FORTY\_NINER\_RIDGE\_UNIT\_COM\_157H\_InterimReclamationMap\_20251002140916.pdf

**Drainage/Erosion control construction:** None

**Drainage/Erosion control reclamation:** None

**Well pad proposed disturbance (acres):** 4.96

**Well pad interim reclamation (acres):** 0.74

**Well pad long term disturbance (acres):** 4.22

**Road proposed disturbance (acres):**

**Road interim reclamation (acres):** 0

**Road long term disturbance (acres):** 0

**Powerline proposed disturbance (acres):** 0

**Powerline interim reclamation (acres):** 0

**Powerline long term disturbance (acres):** 0

**Pipeline proposed disturbance (acres):** 1.18

**Pipeline interim reclamation (acres):** 0

**Pipeline long term disturbance (acres):** 0

**Other proposed disturbance (acres):** 0

**Other interim reclamation (acres):** 0

**Other long term disturbance (acres):** 0

**Total proposed disturbance:** 6.14

**Total interim reclamation:** 0.74

**Total long term disturbance:** 4.22

**Disturbance Comments:** In areas to be heavily disturbed, the top 6 inches of soil material, will be stripped and stockpiled on the perimeter of the well location to keep topsoil viable, and to make redistribution of topsoil more efficient during interim reclamation. Stockpiled topsoil should include vegetative material. Topsoil will be clearly segregated and stored separately from subsoils. Contaminated soil will not be stockpiled, but properly treated and handled prior to topsoil salvaging.

**Reconstruction method:** The areas planned for interim reclamation will then be recontoured to the original contour if feasible, or if not feasible, to an interim contour that blends with the surrounding topography as much as possible. Where applicable, the fill material of the well pad will be backfilled into the cut to bring the area back to the original contour. The interim cut and fill slopes prior to re-seeding will not be steeper than a 3:1 ratio, unless the adjacent native topography is steeper. Note: Constructed slopes may be much steeper during drilling, but will be recontoured to the above ratios during interim reclamation.

**Topsoil redistribution:** Topsoil will be evenly respread and aggressively revegetated over the entire disturbed area not needed for all-weather operations including cuts & fills. To seed the area, the proper BLM seed mixture, free of noxious weeds, will be used.

**Soil treatment:** NA

**Existing Vegetation at the well pad:** Various brush & grasses

**Existing Vegetation at the well pad**

**Existing Vegetation Community at the road:** Various brush & grasses

**Existing Vegetation Community at the road**

**Existing Vegetation Community at the pipeline:** NA

**Existing Vegetation Community at the pipeline**

**Operator Name:** MEWBOURNE OIL COMPANY

**Well Name:** FORTY NINER RIDGE UNIT COM

**Well Number:** 157H

**Existing Vegetation Community at other disturbances:** NA

**Existing Vegetation Community at other disturbances**

**Non native seed used?** N

**Non native seed description:**

**Seedling transplant description:**

**Will seedlings be transplanted for this project?** N

**Seedling transplant description attachment:**

**Will seed be harvested for use in site reclamation?** N

**Seed harvest description:**

**Seed harvest description attachment:**

**Seed**

**Seed Table**

<b>Seed Summary</b>	
<b>Seed Type</b>	<b>Pounds/Acre</b>

**Total pounds/Acre:**

**Seed reclamation**

**Operator Contact/Responsible Official**

**First Name:**

**Last Name:**

**Phone:**

**Email:**

**Seedbed prep:** Final seedbed preparation will consist of contour cultivating to a depth of 4 to 6 inches within 24 hours prior to seeding, dozer tracking, or other imprinting in order to break the soil crust and create seed germination micro-sites.

**Seed BMP:** To seed the area, the proper BLM seed mixture, free of noxious weeds, will be used.

**Seed method:** drilling or broadcasting seed over entire reclaimed area.

**Existing invasive species?** N

**Existing invasive species treatment description:**

**Existing invasive species treatment**

**Weed treatment plan description:** NA

**Weed treatment plan**

**Operator Name:** MEWBOURNE OIL COMPANY

**Well Name:** FORTY NINER RIDGE UNIT COM

**Well Number:** 157H

**Monitoring plan description:** vii. All reclaimed areas will be monitored periodically to ensure that revegetation occurs, that the area is not redisturbed, and that erosion and invasive/noxious weeds are controlled.

**Monitoring plan**

**Success standards:** regrowth within 1 full growing season of reclamation.

**Pit closure description:** NA

**Pit closure attachment:**

**Section 11 - Surface**

**Disturbance type:** WELL PAD

**Describe:**

**Surface Owner:** STATE GOVERNMENT

**Other surface owner description:**

**BIA Local Office:**

**BOR Local Office:**

**COE Local Office:**

**DOD Local Office:**

**NPS Local Office:**

**State Local Office:** ARTESIA

**Military Local Office:**

**USFWS Local Office:**

**Other Local Office:**

**USFS Region:**

**USFS Forest/Grassland:**

**USFS Ranger District:**

**Disturbance type:** PIPELINE

**Describe:**

**Surface Owner:** STATE GOVERNMENT

**Other surface owner description:**

**BIA Local Office:**

**BOR Local Office:**

**COE Local Office:**

**Operator Name:** MEWBOURNE OIL COMPANY

**Well Name:** FORTY NINER RIDGE UNIT COM

**Well Number:** 157H

**DOD Local Office:**

**NPS Local Office:**

**State Local Office:** ARTESIA

**Military Local Office:**

**USFWS Local Office:**

**Other Local Office:**

**USFS Region:**

**USFS Forest/Grassland:**

**USFS Ranger District:**

**Disturbance type:** OTHER

**Describe:** production facility

**Surface Owner:** STATE GOVERNMENT

**Other surface owner description:**

**BIA Local Office:**

**BOR Local Office:**

**COE Local Office:**

**DOD Local Office:**

**NPS Local Office:**

**State Local Office:** ARTESIA

**Military Local Office:**

**USFWS Local Office:**

**Other Local Office:**

**USFS Region:**

**USFS Forest/Grassland:**

**USFS Ranger District:**

**Operator Name:** MEWBOURNE OIL COMPANY

**Well Name:** FORTY NINER RIDGE UNIT COM

**Well Number:** 157H

**Disturbance type:** EXISTING ACCESS ROAD

**Describe:**

**Surface Owner:** STATE GOVERNMENT

**Other surface owner description:**

**BIA Local Office:**

**BOR Local Office:**

**COE Local Office:**

**DOD Local Office:**

**NPS Local Office:**

**State Local Office:** ARTESIA

**Military Local Office:**

**USFWS Local Office:**

**Other Local Office:**

**USFS Region:**

**USFS Forest/Grassland:**

**USFS Ranger District:**

**Section 12 - Other**

**Right of Way needed?** N

**Use APD as ROW?**

**ROW Type(s):**

**ROW**

**SUPO Additional Information:**

**Use a previously conducted onsite?** Y

**Previous Onsite information:** MAR 24 2023 Met w/RRC Surveying & staked location @ 420' FNL & 2330' FEL, Sec 18, T19S, R35E, Lea Co., NM. (Elevation @ 3883). Pad is built 460 x 440. Pad is 150' to W, 230 to E, 190 to S, 250' to N. Road enters on NE corner to lease road. A 460 x 200 battery is staked adjacent to the pad on S side. Location is fenced w/cattle guard. Will need to remove S side of fence to S of proposed battery. May require SUA w/landowner. Lat.: 32.66675124 N, Long.: -103.49565996 W NAD83. (BPS)

**Other SUPO**

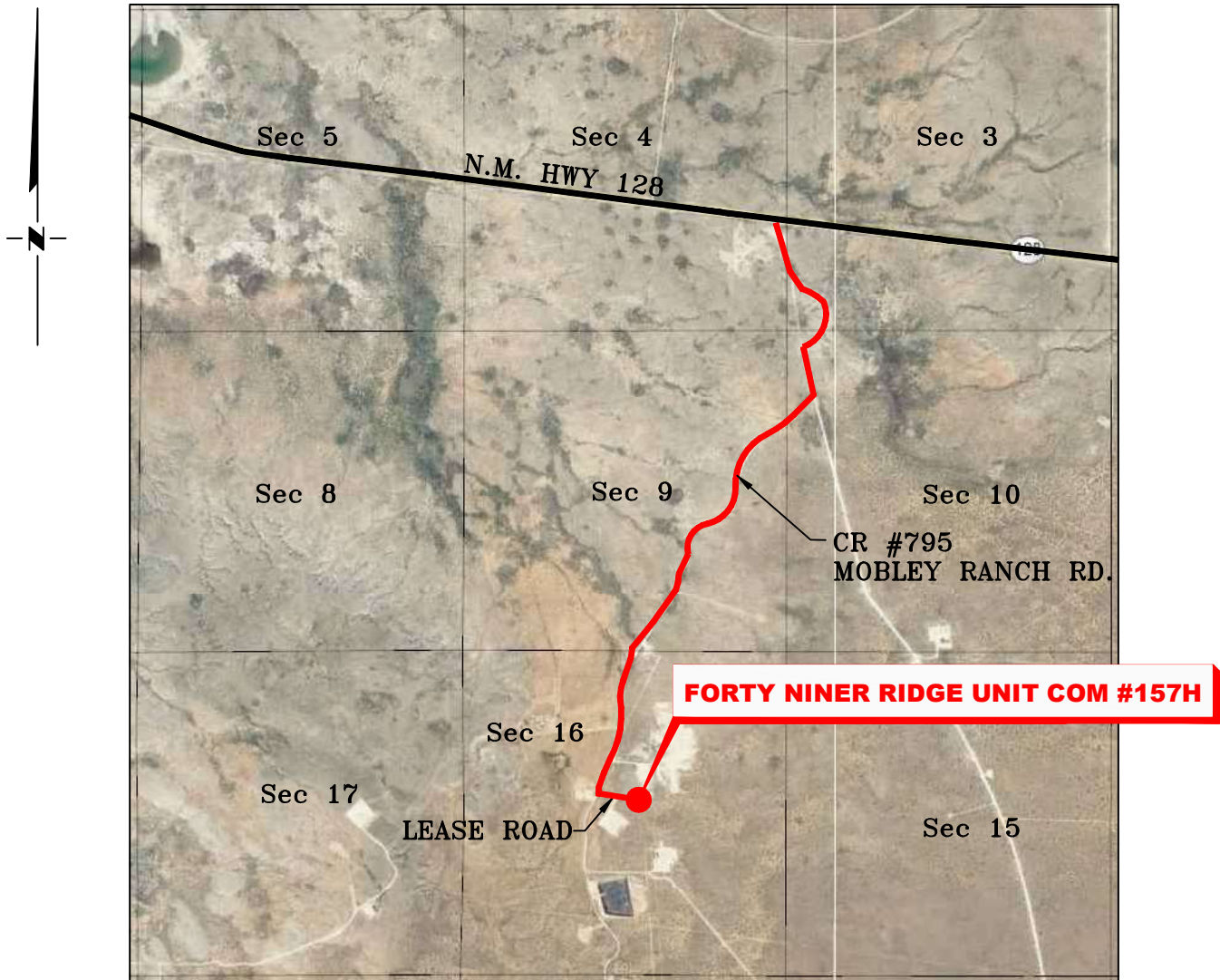
**Operator Name:** MEWBOURNE OIL COMPANY

**Well Name:** FORTY NINER RIDGE UNIT COM

**Well Number:** 157H

# VICINITY MAP

NOT TO SCALE



*SECTION 16, TWP. 23 SOUTH, RGE. 30 EAST,  
N. M. P. M., EDDY COUNTY, NEW MEXICO*

OPERATOR: Mewbourne Oil Company  
 LEASE: Forty Niner Ridge Unit Com  
 WELL NO.: 157H

LOCATION: 2515' FSL & 2220' FEL  
 ELEVATION: 3156'

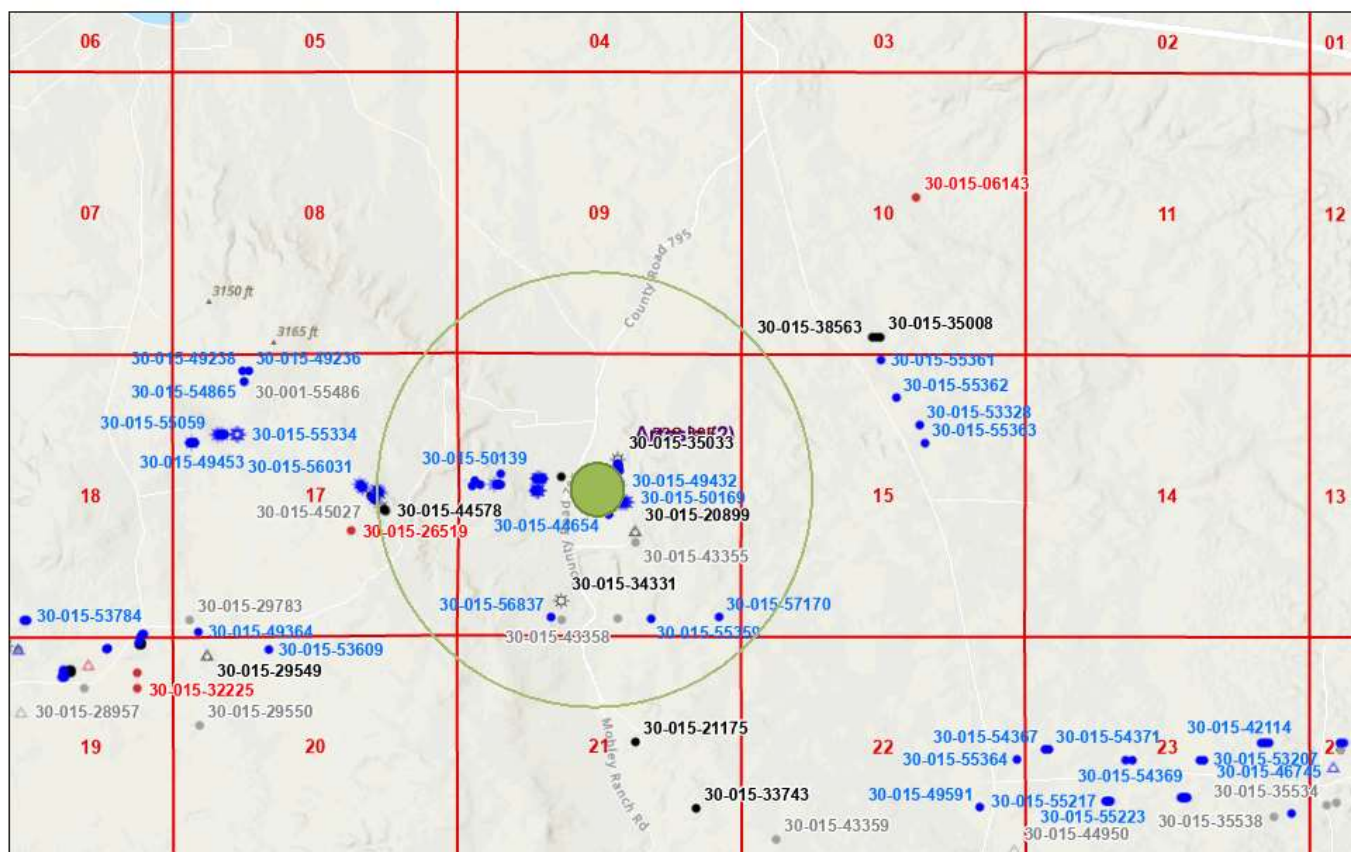
2	NAME CHANGE	8/28/25
NO.	REVISION	DATE
JOB NO.: LS21050460D2		
DWG. NO.: 21050460D2-3		



701 S. CECIL ST., HOBBS, NM 88240 (575) 964-8200

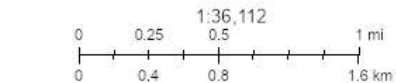
SCALE: N. T. S.
DATE: 06/18/2021
SURVEYED BY: ML/AG
DRAWN BY: RQ
APPROVED BY: RMH
SHEET: 1 OF 1

### OCD Well Locations



9/18/2025, 7:43:35 AM

- |              |                            |                  |                                   |                       |
|--------------|----------------------------|------------------|-----------------------------------|-----------------------|
| <b>Areas</b> | <b>Wells - Large Scale</b> | • Oil, Active    | △ Salt Water Injection, Active    | □ OCD Districts       |
| ■ Override 1 | ○ Gas, Active              | * Oil, Cancelled | △ Salt Water Injection, Cancelled | □ PLSS First Division |
| ■ Override 2 | ○ Gas, Cancelled           | • Oil, New       | △ Salt Water Injection, New       | □ PLSS Townships      |
|              | ○ Gas, New                 | • Oil, Plugged   | △ Salt Water Injection, Plugged   |                       |



Esri, NASA, NGA, USGS, FEMA, Sources: Esri, TomTom, Garmin, FAO, NOAA, USGS, © OpenStreetMap contributors, and the GIS User Community

New Mexico Oil Conservation Division

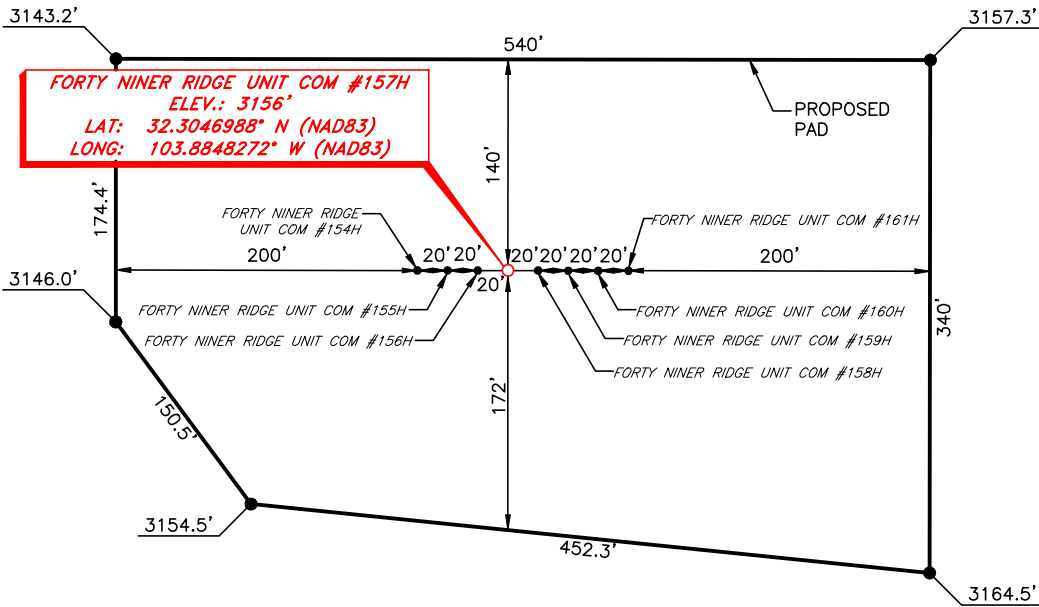
NM OCD Oil and Gas Map, <http://nm-emrtd.maps.arcgis.com/apps/webappviewer/index.html?id=4401723061640e29fd2b9f9350a75> New Mexico Oil Conservation Division







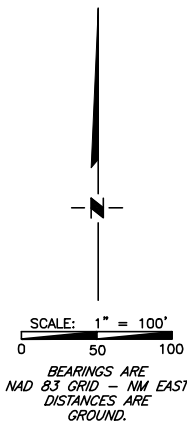
**MEWBOURNE OIL COMPANY  
 FORTY NINER RIDGE UNIT COM #157H  
 (2515' FSL & 2220' FEL)  
 SECTION 16, T23S, R30E  
 N. M. P. M., EDDY CO., NEW MEXICO**



**PAD TOTALS**  
 164,015 Sq. Ft.  
 3.765 Acres

DIRECTIONS TO LOCATION

From the intersection of N.M. Hwy.-128 & CR #795 (Mobley Ranch Rd.);  
 Go South on CR #795 approx. 0.6 miles to a "Y";  
 Keep right at "Y" and go Southwest for approx. 1.6 miles to lease road on left;  
 Turn left and go East approx. 0.2 miles to location on the right.



I, R. M. Howett, a N. M. Professional Surveyor, hereby certify that I prepared this unclassified survey of a well location from an actual survey made on the ground under my direct supervision, said survey and plat meet the Min. Stds. for Land Surveying in the State of N. M. and are true and correct to the best of my knowledge and belief.

*Robert M. Howett*  
 Robert M. Howett NM PS 19680



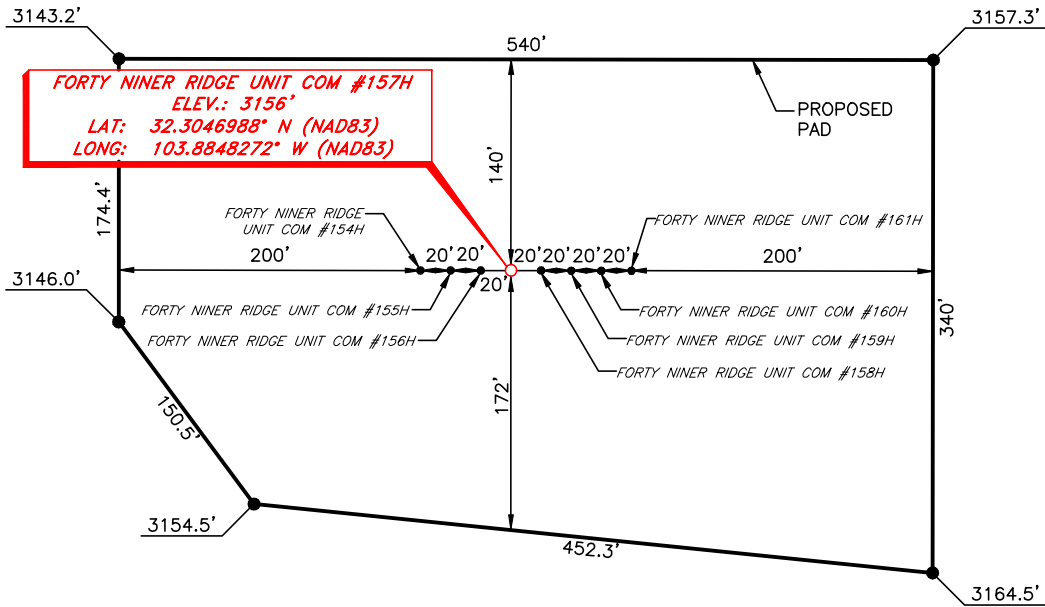
2	NAME CHANGE	8/28/25
NO.	REVISION	DATE
JOB NO.: LS21050460D2		
DWG. NO.: 21050460D2-4		



701 S. CECIL ST., HOBBS, NM 88240 (575) 964-8200

SCALE: 1" = 100'
DATE: 06/18/2021
SURVEYED BY: ML/AG
DRAWN BY: RQ
APPROVED BY: RMH
SHEET: 1 OF 1

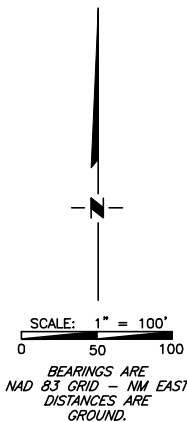
**MEWBOURNE OIL COMPANY  
 FORTY NINER RIDGE UNIT COM #157H  
 (2515' FSL & 2220' FEL)  
 SECTION 16, T23S, R30E  
 N. M. P. M., EDDY CO., NEW MEXICO**



**PAD TOTALS**  
 164,015 Sq. Ft.  
 3.765 Acres

DIRECTIONS TO LOCATION

*From the intersection of N.M. Hwy.-128 & CR #795 (Mobley Ranch Rd.);  
 Go South on CR #795 approx. 0.6 miles to a "Y";  
 Keep right at "Y" and go Southwest for approx. 1.6 miles to lease road on left;  
 Turn left and go East approx. 0.2 miles to location on the right.*



I, R. M. Howett, a N. M. Professional Surveyor, hereby certify that I prepared this unclassified survey of a well location from an actual survey made on the ground under my direct supervision, said survey and plat meet the Min. Stds. for Land Surveying in the State of N. M. and are true and correct to the best of my knowledge and belief.

*Robert M. Howett*  
 Robert M. Howett NM PS 19680



2	NAME CHANGE	8/28/25
NO.	REVISION	DATE
JOB NO.: LS21050460D2		
DWG. NO.: 21050460D2-4		



701 S. CECIL ST., HOBBS, NM 88240 (575) 964-8200

SCALE: 1" = 100'
DATE: 06/18/2021
SURVEYED BY: ML/AG
DRAWN BY: RQ
APPROVED BY: RMH
SHEET: 1 OF 1



U.S. Department of the Interior  
BUREAU OF LAND MANAGEMENT

# PWD Data Report

01/05/2026

**APD ID:** 10400107625

**Submission Date:** 10/30/2025

**Operator Name:** MEWBOURNE OIL COMPANY

**Well Name:** FORTY NINER RIDGE UNIT COM

**Well Number:** 157H

**Well Type:** OIL WELL

**Well Work Type:** Drill

## Section 1 - General

Would you like to address long-term produced water disposal? NO

## Section 2 - Lined

Would you like to utilize Lined Pit PWD options? N

**Produced Water Disposal (PWD) Location:**

**PWD surface owner:**

**PWD disturbance (acres):**

**Other PWD Surface Owner Description:**

**Lined pit PWD on or off channel:**

**Lined pit PWD discharge volume (bbl/day):**

**Lined pit**

**Pit liner description:**

**Pit liner manufacturers**

**Precipitated solids disposal:**

**Decribe precipitated solids disposal:**

**Precipitated solids disposal**

**Lined pit precipitated solids disposal schedule:**

**Lined pit precipitated solids disposal schedule**

**Lined pit reclamation description:**

**Lined pit reclamation**

**Leak detection system description:**

**Leak detection system**

**Operator Name:** MEWBOURNE OIL COMPANY

**Well Name:** FORTY NINER RIDGE UNIT COM

**Well Number:** 157H

**Lined pit Monitor description:**

**Lined pit Monitor**

**Lined pit: do you have a reclamation bond for the pit?**

**Is the reclamation bond a rider under the BLM bond?**

**Lined pit bond number:**

**Lined pit bond amount:**

**Additional bond information**

**Section 3 - Unlined**

**Would you like to utilize Unlined Pit PWD options?** N

**Produced Water Disposal (PWD) Location:**

**PWD disturbance (acres):**

**PWD surface owner:**

**Other PWD Surface Owner Description:**

**Unlined pit PWD on or off channel:**

**Unlined pit PWD discharge volume (bbl/day):**

**Unlined pit**

**Precipitated solids disposal:**

**Describe precipitated solids disposal:**

**Precipitated solids disposal**

**Unlined pit precipitated solids disposal schedule:**

**Unlined pit precipitated solids disposal schedule**

**Unlined pit reclamation description:**

**Unlined pit reclamation**

**Unlined pit Monitor description:**

**Unlined pit Monitor**

**Do you propose to put the produced water to beneficial use?**

**Beneficial use user**

**Estimated depth of the shallowest aquifer (feet):**

**Precipitated Solids Permit**

**Does the produced water have an annual average Total Dissolved Solids (TDS) concentration equal to or less than that of the existing water to be protected?**

**TDS lab results:**

**Geologic and hydrologic**

**Operator Name:** MEWBOURNE OIL COMPANY

**Well Name:** FORTY NINER RIDGE UNIT COM

**Well Number:** 157H

**State**

**Unlined Produced Water Pit Estimated**

**Unlined pit: do you have a reclamation bond for the pit?**

**Is the reclamation bond a rider under the BLM bond?**

**Unlined pit bond number:**

**Unlined pit bond amount:**

**Additional bond information**

**Section 4 -**

**Would you like to utilize Injection PWD options?** N

**Produced Water Disposal (PWD) Location:**

**PWD surface owner:**

**PWD disturbance (acres):**

**Other PWD Surface Owner Description:**

**Injection PWD discharge volume (bbl/day):**

**Injection well mineral owner:**

**Injection well type:**

**Injection well number:**

**Injection well name:**

**Assigned injection well API number?**

**Injection well API number:**

**Injection well new surface disturbance (acres):**

**Minerals protection information:**

**Mineral protection**

**Underground Injection Control (UIC) Permit?**

**UIC Permit**

**Section 5 - Surface**

**Would you like to utilize Surface Discharge PWD options?** N

**Produced Water Disposal (PWD) Location:**

**PWD surface owner:**

**PWD disturbance (acres):**

**Other PWD Surface Owner Description :**

**Surface discharge PWD discharge volume (bbl/day):**

**Surface Discharge NPDES Permit?**

**Surface Discharge NPDES Permit attachment:**

**Surface Discharge site facilities information:**

**Surface discharge site facilities map:**

**Operator Name:** MEWBOURNE OIL COMPANY

**Well Name:** FORTY NINER RIDGE UNIT COM

**Well Number:** 157H

**Section 6 -**

**Would you like to utilize Other PWD options?** N

**Produced Water Disposal (PWD) Location:**

**PWD surface owner:**

**PWD disturbance (acres):**

**PWD Surface Owner Description:**

**Other PWD discharge volume (bbl/day):**

**Other PWD type description:**

**Other PWD type**

**Have other regulatory requirements been met?**

**Other regulatory requirements**



U.S. Department of the Interior  
BUREAU OF LAND MANAGEMENT

# Bond Info Data

01/05/2026

**APD ID:** 10400107625

**Submission Date:** 10/30/2025

Highlighted data reflects the most recent changes  
[Show Final Text](#)

**Operator Name:** MEWBOURNE OIL COMPANY

**Well Name:** FORTY NINER RIDGE UNIT COM

**Well Number:** 157H

**Well Type:** OIL WELL

**Well Work Type:** Drill

## Bond

**Federal/Indian APD:** FED

**BLM Bond number:** NMB106714150

**BIA Bond number:**

**Do you have a reclamation bond?** NO

**Is the reclamation bond a rider under the BLM bond?**

**Is the reclamation bond BLM or Forest Service?**

**BLM reclamation bond number:**

**Forest Service reclamation bond number:**

**Forest Service reclamation bond attachment:**

**Reclamation bond amount:**

**Reclamation bond rider amount:**

**Additional reclamation bond information attachment:**

State of New Mexico  
Energy, Minerals and Natural Resources Department

Submit Electronically  
Via E-permitting

Oil Conservation Division  
1220 South St. Francis Dr.  
Santa Fe, NM 87505

**NATURAL GAS MANAGEMENT PLAN**

This Natural Gas Management Plan must be submitted with each Application for Permit to Drill (APD) for a new or recompleted well.

**Section 1 – Plan Description**  
**Effective May 25, 2021**

I. Operator: Mewbourne Oil Co. OGRID: 14744 Date: 7/7/21

II. Type:  Original  Amendment due to  19.15.27.9.D(6)(a) NMAC  19.15.27.9.D(6)(b) NMAC  Other.

If Other, please describe: \_\_\_\_\_

III. Well(s): Provide the following information for each new or recompleted well or set of wells proposed to be drilled or proposed to be recompleted from a single well pad or connected to a central delivery point.

Well Name	API	ULSTR	Footages	Anticipated Oil BBL/D	Anticipated Gas MCF/D	Anticipated Produced Water BBL/D
Forty Niner Ridge Unit #157H		J 16 23S 30E	2515' FSL x 2220' FEL	1200	3000	5000
				Y1-400 Y2-300 Y3-200	Y1-500 Y2-400 Y3- 300	Y1-600 Y2-400 Y3-200

IV. Central Delivery Point Name: Forty Niner Ridge Unit #157H [See 19.15.27.9(D)(1) NMAC]

V. Anticipated Schedule: Provide the following information for each new or recompleted well or set of wells proposed to be drilled or proposed to be recompleted from a single well pad or connected to a central delivery point.

Well Name	API	Spud Date	TD Reached Date	Completion Commencement Date	Initial Flow Back Date	First Production Date
Forty Niner Ridge Unit #157H		9/7/21	10/7/21	11/7/21	11/22/21	11/22/21

VI. Separation Equipment:  Attach a complete description of how Operator will size separation equipment to optimize gas capture.

VII. Operational Practices:  Attach a complete description of the actions Operator will take to comply with the requirements of Subsection A through F of 19.15.27.8 NMAC.

VIII. Best Management Practices:  Attach a complete description of Operator's best management practices to minimize venting during active and planned maintenance.

**Section 2 – Enhanced Plan**  
**EFFECTIVE APRIL 1, 2022**

Beginning April 1, 2022, an operator that is not in compliance with its statewide natural gas capture requirement for the applicable reporting area must complete this section.

Operator certifies that it is not required to complete this section because Operator is in compliance with its statewide natural gas capture requirement for the applicable reporting area.

**IX. Anticipated Natural Gas Production:**

Well	API	Anticipated Average Natural Gas Rate MCF/D	Anticipated Volume of Natural Gas for the First Year MCF

**X. Natural Gas Gathering System (NGGS):**

Operator	System	ULSTR of Tie-in	Anticipated Gathering Start Date	Available Maximum Daily Capacity of System Segment Tie-in

**XI. Map.**  Attach an accurate and legible map depicting the location of the well(s), the anticipated pipeline route(s) connecting the production operations to the existing or planned interconnect of the natural gas gathering system(s), and the maximum daily capacity of the segment or portion of the natural gas gathering system(s) to which the well(s) will be connected.

**XII. Line Capacity.** The natural gas gathering system  will  will not have capacity to gather 100% of the anticipated natural gas production volume from the well prior to the date of first production.

**XIII. Line Pressure.** Operator  does  does not anticipate that its existing well(s) connected to the same segment, or portion, of the natural gas gathering system(s) described above will continue to meet anticipated increases in line pressure caused by the new well(s).

Attach Operator’s plan to manage production in response to the increased line pressure.

**XIV. Confidentiality:**  Operator asserts confidentiality pursuant to Section 71-2-8 NMSA 1978 for the information provided in Section 2 as provided in Paragraph (2) of Subsection D of 19.15.27.9 NMAC, and attaches a full description of the specific information for which confidentiality is asserted and the basis for such assertion.

### **Section 3 - Certifications**

**Effective May 25, 2021**

Operator certifies that, after reasonable inquiry and based on the available information at the time of submittal:

Operator will be able to connect the well(s) to a natural gas gathering system in the general area with sufficient capacity to transport one hundred percent of the anticipated volume of natural gas produced from the well(s) commencing on the date of first production, taking into account the current and anticipated volumes of produced natural gas from other wells connected to the pipeline gathering system; or

Operator will not be able to connect to a natural gas gathering system in the general area with sufficient capacity to transport one hundred percent of the anticipated volume of natural gas produced from the well(s) commencing on the date of first production, taking into account the current and anticipated volumes of produced natural gas from other wells connected to the pipeline gathering system.

***If Operator checks this box, Operator will select one of the following:***

**Well Shut-In.**  Operator will shut-in and not produce the well until it submits the certification required by Paragraph (4) of Subsection D of 19.15.27.9 NMAC; or

**Venting and Flaring Plan.**  Operator has attached a venting and flaring plan that evaluates and selects one or more of the potential alternative beneficial uses for the natural gas until a natural gas gathering system is available, including:

- (a) power generation on lease;
- (b) power generation for grid;
- (c) compression on lease;
- (d) liquids removal on lease;
- (e) reinjection for underground storage;
- (f) reinjection for temporary storage;
- (g) reinjection for enhanced oil recovery;
- (h) fuel cell production; and
- (i) other alternative beneficial uses approved by the division.

### **Section 4 - Notices**

1. If, at any time after Operator submits this Natural Gas Management Plan and before the well is spud:

(a) Operator becomes aware that the natural gas gathering system it planned to connect the well(s) to has become unavailable or will not have capacity to transport one hundred percent of the production from the well(s), no later than 20 days after becoming aware of such information, Operator shall submit for OCD's approval a new or revised venting and flaring plan containing the information specified in Paragraph (5) of Subsection D of 19.15.27.9 NMAC; or

(b) Operator becomes aware that it has, cumulatively for the year, become out of compliance with its baseline natural gas capture rate or natural gas capture requirement, no later than 20 days after becoming aware of such information, Operator shall submit for OCD's approval a new or revised Natural Gas Management Plan for each well it plans to spud during the next 90 days containing the information specified in Paragraph (2) of Subsection D of 19.15.27.9 NMAC, and shall file an update for each Natural Gas Management Plan until Operator is back in compliance with its baseline natural gas capture rate or natural gas capture requirement.

2. OCD may deny or conditionally approve an APD if Operator does not make a certification, fails to submit an adequate venting and flaring plan which includes alternative beneficial uses for the anticipated volume of natural gas produced, or if OCD determines that Operator will not have adequate natural gas takeaway capacity at the time a well will be spud.

Page 8

I certify that, after reasonable inquiry, the statements in and attached to this Natural Gas Management Plan are true and correct to the best of my knowledge and acknowledge that a false statement may be subject to civil and criminal penalties under the Oil and Gas Act.

Signature:	<i>Bradley Bishop</i>
Printed Name:	BRADLEY BISHOP
Title:	REGULATORY MANAGER
E-mail Address:	BBISHOP@MEWBOURNE.COM
Date:	7/7/21
Phone:	575-393-5905
<b>OIL CONSERVATION DIVISION</b> <b>(Only applicable when submitted as a standalone form)</b>	
Approved By:	
Title:	
Approval Date:	
Conditions of Approval:	

## Mewbourne Oil Company

## Natural Gas Management Plan – Attachment

- VI. Separation equipment will be sized by construction engineering staff based on stated manufacturer daily throughput capacities and anticipated daily production rates to ensure adequate capacity. Closed vent system piping, compression needs, and VRUs will be sized utilizing ProMax modelling software to ensure adequate capacity for anticipated production volumes and conditions.
- VII. Mewbourne Oil Company (MOC) will take following actions to comply with the regulations listed in 19.15.27.8 :
- A. MOC will maximize the recovery of natural gas by minimizing the waste, as defined by 19.15.2 NMAC, of natural gas through venting and flaring. MOC will ensure that well(s) will be connected to a natural gas gathering system with sufficient capacity to transport natural gas. If there is no adequate takeaway for the gas, well(s) will be shut in until the natural gas gathering system is available.
  - B. All drilling operations will be equipped with a rig flare located at least 100 ft from the nearest surface hole. Rig flare will be utilized to combust any natural gas that is brought to surface during normal drilling operations. In the case of emergency venting or flaring the volumes will be estimated and reported appropriately.
  - C. During completion operations any natural gas brought to surface will be flared. Immediately following the finish of completion operations, all well flow will be directed to permanent separation equipment. Produced natural gas from separation equipment will be sent to sales. It is not anticipated that gas will not meet pipeline standards. However, if natural gas does not meet gathering pipeline quality specifications, MOC will flare the natural gas for 60 days or until the natural gas meets the pipeline quality specifications, whichever is sooner. MOC will ensure that the flare is sized properly and is equipped with automatic igniter or continuous pilot. The gas sample will analyzed twice per week and the gas will be routed into a gathering system as soon as pipeline specifications are met.
  - D. Natural gas will not be flared with the exceptions and provisions listed in the 19.15.27.8 D.(1) through (4). If there is no adequate takeaway for the separator gas, well(s) will be shut in until the natural gas gathering system is available with exception of emergency or malfunction situations. Venting and/or flaring volumes will be estimated and reported appropriately.
  - E. MOC will comply with the performance standards requirements and provisions listed in 19.15.27.8 E.(1) through (8). All equipment will be designed and sized to handle maximum anticipated pressures and throughputs in order to minimize the waste. Production storage tanks constructed after May 25, 2021 will be equipped with automatic gauging system. Flares constructed after May 25, 2021 will be equipped with automatic igniter or continuous pilot. Flares will be located at least 100' from the well and storage tanks unless otherwise approved by the division. MOC will conduct AVO inspections as described in 19.15.27.8 E (5) (a) with frequencies specified in 19.15.27.8 E (5) (b) and (c). All emergencies will be resolved as quickly and safely as feasible to minimize waste.
  - F. The volume of natural gas that is vented or flared as the result of malfunction or emergency during drilling and completions operations will be estimated. The volume of natural gas that is vented, flared or beneficially used during production operations, will be measured or estimated. MOC will install equipment to measure

the volume of natural gas flared from existing process piping or a flowline piped from equipment such as high pressure separators, heater treaters, or vapor recovery units associated with a well or facility associated with a well authorized by an APD issued after May 25, 2021 that has an average daily production greater than 60 Mcf/day. If metering is not practicable due to circumstances such as low flow rate or low pressure venting and flaring, MOC will estimate the volume of vented or flared natural gas. Measuring equipment will conform to industry standards and will not be designed or equipped with a manifold that allows the diversion of natural gas around the metering element except for the sole purpose of inspecting and servicing the measurement equipment.

- VIII. For maintenance activities involving production equipment and compression, venting will be limited to the depressurization of the subject equipment to ensure safe working conditions. For maintenance of production and compression equipment the associated producing wells will be shut in to eliminate venting. For maintenance of VRUs all gas normally routed to the VRU will be routed to flare to eliminate venting.

Sante Fe Main Office  
Phone: (505) 476-3441

General Information  
Phone: (505) 629-6116

Online Phone Directory  
<https://www.emnrd.nm.gov/ocd/contact-us>

**State of New Mexico**  
**Energy, Minerals and Natural Resources**  
**Oil Conservation Division**  
**1220 S. St Francis Dr.**  
**Santa Fe, NM 87505**

ACKNOWLEDGMENTS

Action 540162

**ACKNOWLEDGMENTS**

Operator: MEWBOURNE OIL CO P.O. Box 5270 Hobbs, NM 88241	OGRID: 14744
	Action Number: 540162
	Action Type: [C-101] BLM - Federal/Indian Land Lease (Form 3160-3)

**ACKNOWLEDGMENTS**

<input checked="" type="checkbox"/>	I hereby certify that no additives containing PFAS chemicals will be added to the completion or recompletion of this well.
-------------------------------------	----------------------------------------------------------------------------------------------------------------------------

Sante Fe Main Office  
Phone: (505) 476-3441

General Information  
Phone: (505) 629-6116

Online Phone Directory  
<https://www.emnrd.nm.gov/ocd/contact-us>

**State of New Mexico  
Energy, Minerals and Natural Resources  
Oil Conservation Division  
1220 S. St Francis Dr.  
Santa Fe, NM 87505**

CONDITIONS

Action 540162

**CONDITIONS**

Operator: MEWBOURNE OIL CO P.O. Box 5270 Hobbs, NM 88241	OGRID: 14744
	Action Number: 540162
	Action Type: [C-101] BLM - Federal/Indian Land Lease (Form 3160-3)

**CONDITIONS**

Created By	Condition	Condition Date
mleal	Cement is required to circulate on both surface and intermediate1 strings of casing.	1/5/2026
mleal	If cement does not circulate on any string, a Cement Bond Log (CBL) is required for that string of casing.	1/5/2026
ward.rikala	Notify the OCD 24 hours prior to casing & cement.	2/23/2026
ward.rikala	File As Drilled C-102 and a directional Survey with C-104 completion packet.	2/23/2026
ward.rikala	Once the well is spud, to prevent ground water contamination through whole or partial conduits from the surface, the operator shall drill without interruption through the fresh water zone or zones and shall immediately set in cement the water protection string.	2/23/2026
ward.rikala	Oil base muds are not to be used until fresh water zones are cased and cemented providing isolation from the oil or diesel. This includes synthetic oils. Oil based mud, drilling fluids and solids must be contained in a steel closed loop system.	2/23/2026
ward.rikala	Operator must comply with all of the R-111-Q requirements.	2/23/2026
ward.rikala	If the method of isolation was not by circulation, a CBL must be performed; if strata isolation is not achieved, then remediation will be required before further operations.	2/23/2026