

| Well Name       | Well Number | US Well Number | Lease Number | Case Number | Operator |
|-----------------|-------------|----------------|--------------|-------------|----------|
| Chincoteague 8- | 731H        | 3002552996     | NMLC061873B  | NMLC061873B | DEVON    |
| Chincoteague 8- | 831H        | 3002553000     | NMLC061873B  | NMLC061873B | DEVON    |
| Chincoteague 8- | 622H        | 3002552995     | NMLC061873B  | NMLC061873B | DEVON    |
| Chincoteague 8- | 822H        | 3002552998     | NMLC061873B  | NMLC061873B | DEVON    |
| CHINCOTEAGUE    | 332H        | 3002552976     | NMLC061873B  | NMLC061873B | DEVON    |
| CHINCOTEAGUE    | 711H        | 3002552972     | NMLC061873B  | NMLC061873B | DEVON    |
| CHINCOTEAGUE    | 821H        | 3002552979     | NMLC061873B  | NMLC061873B | DEVON    |
| CHINCOTEAGUE    | 621H        | 3002552969     | NMLC061873B  | NMLC061873B | DEVON    |
| CHINCOTEAGUE    | 331H        | 3002552997     | NMLC061873B  | NMLC061873B | DEVON    |
| CHINCOTEAGUE    | 333H        | 3002552980     | NMLC061873B  | NMLC061873B | DEVON    |
| CHINCOTEAGUE    | 712H        | 3002552973     | NMLC061873B  | NMLC061873B | DEVON    |
| CHINCOTEAGUE    | 334H        | 3002552970     | NMLC061873B  | NMLC061873B | DEVON    |
| CHINCOTEAGUE    | 732H        | 3002552977     | NMLC061873B  | NMLC061873B | DEVON    |
| Chincoteague 8- | 300H        | 3002552994     | NMLC061873B  | NMLC061873B | DEVON    |

**Notice of Intent**

**Sundry ID:** 2892140

**Type of Submission:** Notice of Intent

**Type of Action:** Other

**Date Sundry Submitted:** 01/21/2026

**Time Sundry Submitted:** 10:40

**Date proposed operation will begin:** 01/21/2026

**Procedure Description:** Sundry submittal at request of CFO. Devon Energy Production Co., L.P. (Devon) respectfully requests approval for a gas lift system regarding the subject wells. Gas will go into a pipeline system designed for gas injection for gas lift systems installed on wells from various reservoirs and leases. Each well within the system will be equipped with an individual injection meter, enabling tracking of injection volumes separate from the gas production of each well. The projected injection volumes are approximately 1,140 MCF per day for each well. Devon acknowledges that this gas is not royalty-free and the concept of beneficial use does not apply in this context. Please see attached supporting documentation.

**Surface Disturbance**

Is any additional surface disturbance proposed?: No

**NOI Attachments**

**Procedure Description**

MUSTANG\_CHINCOTEAGUE\_MESH\_GL\_PFD\_20260121103915.pdf

**Operator**

*I certify that the foregoing is true and correct. Title 18 U.S.C. Section 1001 and Title 43 U.S.C. Section 1212, make it a crime for any person knowingly and willfully to make to any department or agency of the United States any false, fictitious or fraudulent statements or representations as to any matter within its jurisdiction. Electronic submission of Sundry Notices through this system satisfies regulations requiring a*

**Operator Electronic Signature:** AMY BROWN

**Signed on:** JAN 21, 2026 10:39 AM

**Name:** DEVON ENERGY PRODUCTION COMPANY LP

**Title:** Regulatory Professional

**Street Address:** 333 WEST SHERIDAN AVENUE

**City:** OKLAHOMA CITY **State:** OK

**Phone:** (405) 552-6137

**Email address:** AMY.BROWN@DVN.COM

**Field**

**Representative Name:**

**Street Address:**

**City:** **State:** **Zip:**

**Phone:**

**Email address:**

**BLM Point of Contact**

**BLM POC Name:** JONATHON W SHEPARD

**BLM POC Title:** Petroleum Engineer

**BLM POC Phone:** 5752345972

**BLM POC Email Address:** jshepard@blm.gov

**Disposition:** Approved

**Disposition Date:** 02/26/2026

**Signature:** Jonathon Shepard

Form 3160-5  
(October 2024)

UNITED STATES  
DEPARTMENT OF THE INTERIOR  
BUREAU OF LAND MANAGEMENT

FORM APPROVED  
OMB No. 1004-0220  
Expires: October 31, 2027

**SUNDRY NOTICES AND REPORTS ON WELLS**  
**Do not use this form for proposals to drill or to re-enter an abandoned well. Use Form 3160-3 (APD) for such proposals.**

|   |                                   |   |
|---|-----------------------------------|---|
| <b>SUBMIT IN TRIPLICATE - Other instructions on page 2</b>  |                                   | 5. Lease Serial No.                         |
| 1. Type of Well<br><input type="checkbox"/> Oil Well <input type="checkbox"/> Gas Well <input type="checkbox"/> Other |                                   | 6. If Indian, Allottee or Tribe Name        |
| 2. Name of Operator   |                                   | 7. If Unit of CA/Agreement, Name and/or No. |
| 3a. Address   | 3b. Phone No. (include area code) | 8. Well Name and No.                        |
| 4. Location of Well (Footage, Sec., T.,R.,M., or Survey Description)  |                                   | 9. API Well No.                             |
|   |                                   | 10. Field and Pool or Exploratory Area      |
|   |                                   | 11. Country or Parish, State                |

12. CHECK THE APPROPRIATE BOX(ES) TO INDICATE NATURE OF NOTICE, REPORT OR OTHER DATA

| TYPE OF SUBMISSION                                | TYPE OF ACTION                                |   |  |   |
|---|---|---|--|---|
| <input type="checkbox"/> Notice of Intent         | <input type="checkbox"/> Acidize              | <input type="checkbox"/> Deepen               | <input type="checkbox"/> Production (Start/Resume) | <input type="checkbox"/> Water Shut-Off |
| <input type="checkbox"/> Subsequent Report        | <input type="checkbox"/> Alter Casing         | <input type="checkbox"/> Hydraulic Fracturing | <input type="checkbox"/> Reclamation               | <input type="checkbox"/> Well Integrity |
| <input type="checkbox"/> Final Abandonment Notice | <input type="checkbox"/> Casing Repair        | <input type="checkbox"/> New Construction     | <input type="checkbox"/> Recomplete                | <input type="checkbox"/> Other          |
|   | <input type="checkbox"/> Change Plans         | <input type="checkbox"/> Plug and Abandon     | <input type="checkbox"/> Temporarily Abandon       |   |
|   | <input type="checkbox"/> Convert to Injection | <input type="checkbox"/> Plug Back            | <input type="checkbox"/> Water Disposal            |   |

13. Describe Proposed or Completed Operation: Clearly state all pertinent details, including estimated starting date of any proposed work and approximate duration thereof. If the proposal is to deepen directionally or recomplete horizontally, give subsurface locations and measured and true vertical depths of all pertinent markers and zones. Attach the Bond under which the work will be performed or provide the Bond No. on file with BLM/BIA. Required subsequent reports must be filed within 30 days following completion of the involved operations. If the operation results in a multiple completion or recompletion in a new interval, a Form 3160-4 must be filed once testing has been completed. Final Abandonment Notices must be filed only after all requirements, including reclamation, have been completed and the operator has determined that the site is ready for final inspection.)

|   |       |  |
|---|-------|--|
| 14. I hereby certify that the foregoing is true and correct. Name (Printed/Typed) |       |  |
|   | Title |  |
| Signature   | Date  |  |

**THE SPACE FOR FEDERAL OR STATE OFFICE USE**

|   |        |      |
|---|--------|------|
| Approved by   |        |      |
|   | Title  | Date |
| Conditions of approval, if any, are attached. Approval of this notice does not warrant or certify that the applicant holds legal or equitable title to those rights in the subject lease which would entitle the applicant to conduct operations thereon. | Office |      |

Title 18 U.S.C Section 1001 and Title 43 U.S.C Section 1212, make it a crime for any person knowingly and willfully to make to any department or agency of the United States any false, fictitious or fraudulent statements or representations as to any matter within its jurisdiction.

(Instructions on page 2)

## GENERAL INSTRUCTIONS

This form is designed for submitting proposals to perform certain well operations and reports of such operations when completed as indicated on Federal and Indian lands pursuant to applicable Federal law and regulations. Any necessary special instructions concerning the use of this form and the number of copies to be submitted, particularly with regard to local area or regional procedures and practices, are either shown below, will be issued by or may be obtained from the local Federal office.

## SPECIFIC INSTRUCTIONS

*Item 4* - Locations on Federal or Indian land should be described in accordance with Federal requirements. Consult the local Federal office for specific instructions.

*Item 13*: Proposals to abandon a well and subsequent reports of abandonment should include such special information as is required by the local Federal office. In addition, such proposals and reports should include reasons for the abandonment; data on any former or present productive zones or other zones with present significant fluid contents not sealed off by cement or otherwise; depths (top and bottom) and method of placement of cement plugs; mud or other material placed below, between and above plugs; amount, size, method of parting of any casing, liner or tubing pulled and the depth to the top of any tubing left in the hole; method of closing top of well and date well site conditioned for final inspection looking for approval of the abandonment. If the proposal will involve **hydraulic fracturing operations**, you must comply with 43 CFR 3162.3-3, including providing information about the protection of usable water. Operators should provide the best available information about all formations containing water and their depths. This information could include data and interpretation of resistivity logs run on nearby wells. Information may also be obtained from state or tribal regulatory agencies and from local BLM offices.

## NOTICES

The privacy Act of 1974 and the regulation in 43 CFR 2.48(d) provide that you be furnished the following information in connection with information required by this application.

AUTHORITY: 30 U.S.C. 181 et seq., 351 et seq., 25 U.S.C. 396; 43 CFR 3160.

PRINCIPAL PURPOSE: The information is used to: (1) Evaluate, when appropriate, approve applications, and report completion of subsequent well operations, on a Federal or Indian lease; and (2) document for administrative use, information for the management, disposal and use of National Resource lands and resources, such as: (a) evaluating the equipment and procedures to be used during a proposed subsequent well operation and reviewing the completed well operations for compliance with the approved plan; (b) requesting and granting approval to perform those actions covered by 43 CFR 3162.3-2, 3162.3-3, and 3162.3-4; (c) reporting the beginning or resumption of production, as required by 43 CFR 3162.4-1(c) and (d) analyzing future applications to drill or modify operations in light of data obtained and methods used.

ROUTINE USES: Information from the record and/or the record will be transferred to appropriate Federal, State, local or foreign agencies, when relevant to civil, criminal or regulatory investigations or prosecutions in connection with congressional inquiries or to consumer reporting agencies to facilitate collection of debts owed the Government.

EFFECT OF NOT PROVIDING THE INFORMATION: Filing of this notice and report and disclosure of the information is mandatory for those subsequent well operations specified in 43 CFR 3162.3-2, 3162.3-3, 3162.3-4.

The Paperwork Reduction Act of 1995 requires us to inform you that:

The BLM collects this information to evaluate proposed and/or completed subsequent well operations on Federal or Indian oil and gas leases.

Response to this request is mandatory.

The BLM would like you to know that you do not have to respond to this or any other Federal agency-sponsored information collection unless it displays a currently valid OMB control number.

**BURDEN HOURS STATEMENT:** Public reporting burden for this form is estimated to average 8 hours per response, including the time for reviewing instructions, gathering and maintaining data, and completing and reviewing the form. Direct comments regarding the burden estimate or any other aspect of this form to U.S. Department of the Interior, Bureau of Land Management (1004-0137), Bureau Information Collection Clearance Officer (WO-630), 1849 C St., N.W., Mail Stop 401 LS, Washington, D.C. 20240

## Additional Information

### Batch Well Data

CHINCOTEAGUE 8-32 FED STATE COM 711H, US Well Number: 3002552972, Case Number: NMLC061873B, Lease Number: NMLC061873B,  
Operator:DEVON ENERGY PRODUCTION COMPANY LP

CHINCOTEAGUE 8-32 FED STATE COM 712H, US Well Number: 3002552973, Case Number: NMLC061873B, Lease Number: NMLC061873B,  
Operator:DEVON ENERGY PRODUCTION COMPANY LP

CHINCOTEAGUE 8-32 FED STATE COM 821H, US Well Number: 3002552979, Case Number: NMLC061873B, Lease Number: NMLC061873B,  
Operator:DEVON ENERGY PRODUCTION COMPANY LP

CHINCOTEAGUE 8-32 FED STATE COM 332H, US Well Number: 3002552976, Case Number: NMLC061873B, Lease Number: NMLC061873B,  
Operator:DEVON ENERGY PRODUCTION COMPANY LP

CHINCOTEAGUE 8-32 FED STATE COM 621H, US Well Number: 3002552969, Case Number: NMLC061873B, Lease Number: NMLC061873B,  
Operator:DEVON ENERGY PRODUCTION COMPANY LP

CHINCOTEAGUE 8-32 FED STATE COM 333H, US Well Number: 3002552980, Case Number: NMLC061873B, Lease Number: NMLC061873B,  
Operator:DEVON ENERGY PRODUCTION COMPANY LP

CHINCOTEAGUE 8-32 FED STATE COM 334H, US Well Number: 3002552970, Case Number: NMLC061873B, Lease Number: NMLC061873B,  
Operator:DEVON ENERGY PRODUCTION COMPANY LP

CHINCOTEAGUE 8-32 FED STATE COM 732H, US Well Number: 3002552977, Case Number: NMLC061873B, Lease Number: NMLC061873B,  
Operator:DEVON ENERGY PRODUCTION COMPANY LP

Chincoteague 8-32 Fed Com 300H, US Well Number: 3002552994, Case Number: NMLC061873B, Lease Number: NMLC061873B,  
Operator:DEVON ENERGY PRODUCTION COMPANY LP

CHINCOTEAGUE 8-32 FED STATE COM 331H, US Well Number: 3002552997, Case Number: NMLC061873B, Lease Number: NMLC061873B,  
Operator:DEVON ENERGY PRODUCTION COMPANY LP

Chincoteague 8-32 Fed State Com 731H, US Well Number: 3002552996, Case Number: NMLC061873B, Lease Number: NMLC061873B,  
Operator:DEVON ENERGY PRODUCTION COMPANY LP

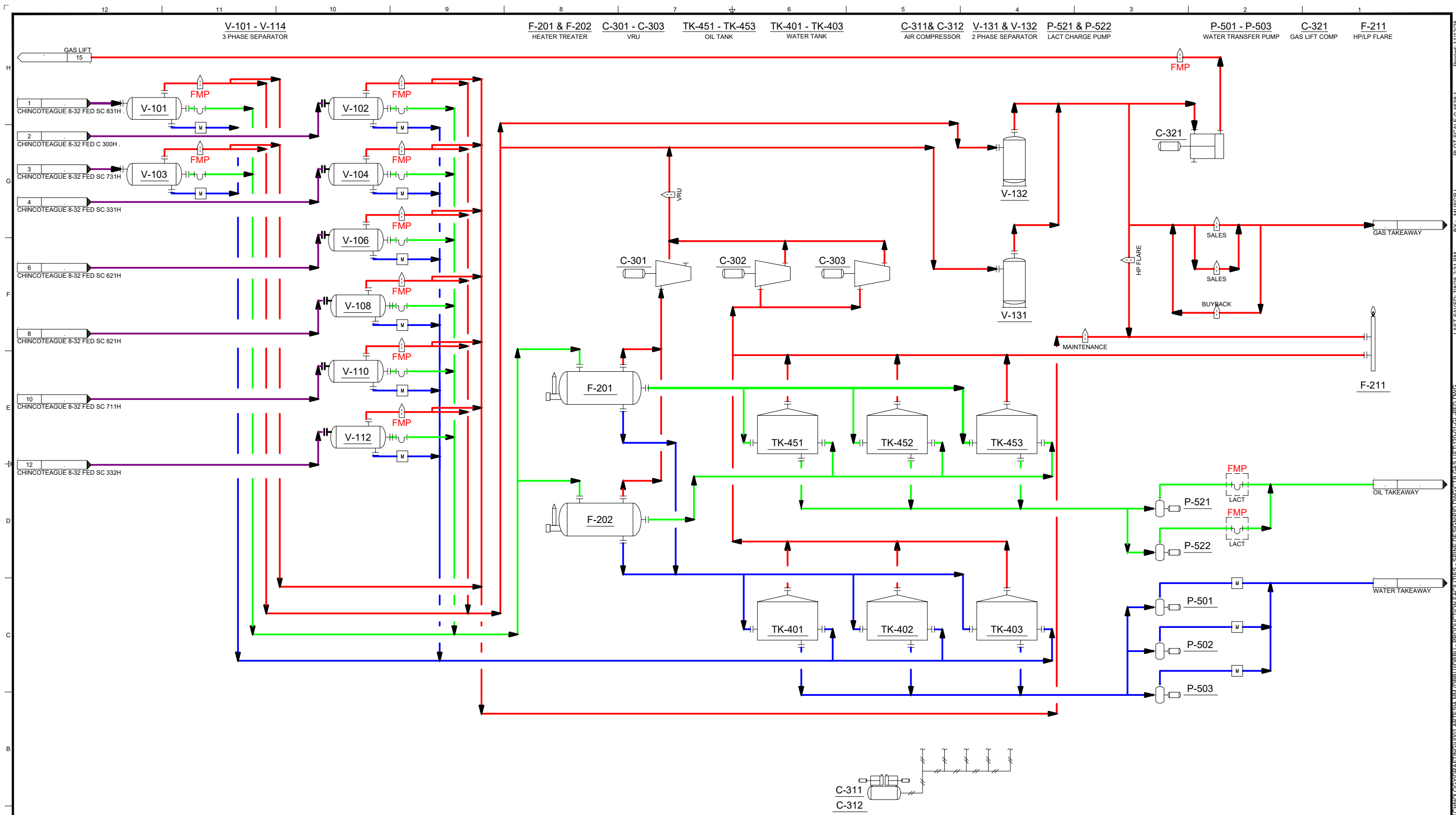
Chincoteague 8-32 Fed State Com 831H, US Well Number: 3002553000, Case Number: NMLC061873B, Lease Number: NMLC061873B,  
Operator:DEVON ENERGY PRODUCTION COMPANY LP

Chincoteague 8-32 Fed State Com 622H, US Well Number: 3002552995, Case Number: NMLC061873B, Lease Number: NMLC061873B,  
Operator:DEVON ENERGY PRODUCTION COMPANY LP

Chincoteague 8-32 Fed State Com 822H, US Well Number: 3002552998, Case Number: NMLC061873B, Lease Number: NMLC061873B,

Operator:DEVON ENERGY PRODUCTION COMPANY LP

CONFIDENTIAL



- NOTES:**
- ORIFICE METER
  - CORIOLIS METER
  - MAGNETIC METER
  - GAS
  - OIL
  - WATER
  - FULL WELL STREAM
  - INSTRUMENT AIR
  - FEDERAL MEASUREMENT POINT

| REV | DESCRIPTION     | DATE | DRAWN | APPVD |
|-----|-----------------|------|-------|-------|
| A   | INITIAL RELEASE |      | KR    | PM    |

|                             |  |               |
|-----------------------------|--|---------------|
| LAT. / LONG. COORDINATES    |  | DATE:         |
| GPS: N. _____ -W. _____     |  | 11/1/25       |
| DRAWN BY: KR                |  | DATE: 11/1/25 |
| ENGINEERED BY: PM           |  |               |
| WBS PROJECT No.: 120        |  |               |
| DRAWING No.: 120-02-PFD.dwg |  |               |

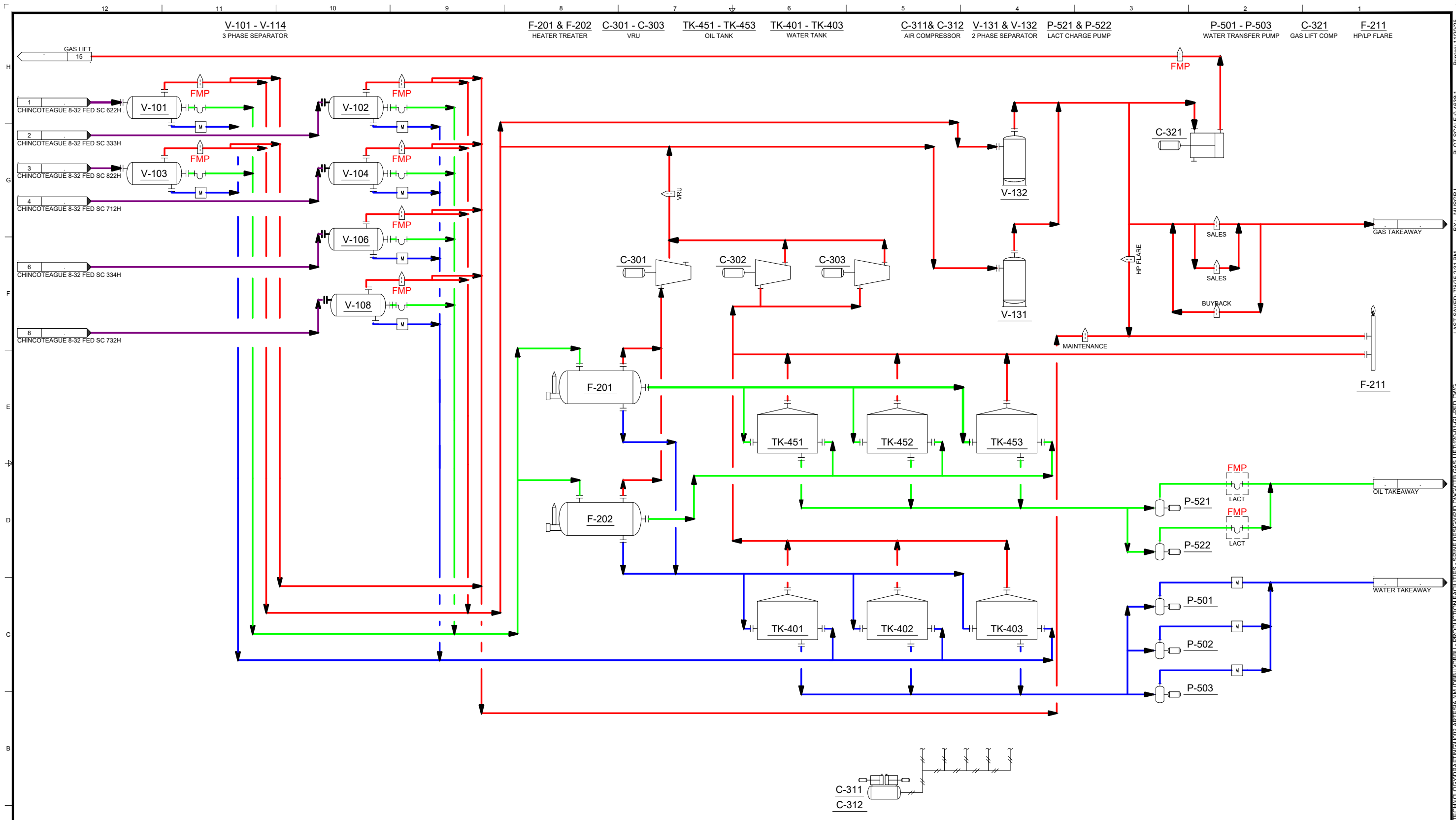


Devon Energy Corporation  
 333 West Sheridan Avenue, Oklahoma City, OK 73102-5015

DBBU - SPINE DESIGN - REV 3.1  
 PROCESS FLOW DIAGRAM  
 MUSTANG 8 CTB 1

FILE NAME: 120-02-PFD  
 DWG REV: A

PLOT SCALE: 0.4638:1  
 BY: MUSGRJ  
 LAST SAVED: 7/8/25 2:31 PM  
 W:\USACORPORATE\ENGINEERING\TECHNOLOGY\DRAWING\002 ARTESIA\NM\08BU\DBBU - PRODUCTION FACILITIES - SPINE DESIGN\120-02-PFD.dwg



- NOTES:**
- ORIFICE METER
  - CORIOLIS METER
  - MAGNETIC METER
  - GAS
  - OIL
  - WATER
  - FULL WELL STREAM
  - INSTRUMENT AIR
  - FEDERAL MEASUREMENT POINT

| REV | DESCRIPTION     | DATE | DRAWN | APPROV |
|-----|-----------------|------|-------|--------|
| A   | INITIAL RELEASE |      | KR    | PM     |

|                             |  |               |
|-----------------------------|--|---------------|
| LAT. / LONG. COORDINATES    |  | DATE:         |
| GPS: N. _____ -W. _____     |  | 11/1/25       |
| DRAWN BY: KR                |  | DATE: 11/1/25 |
| ENGINEERED BY: PM           |  |               |
| WBS PROJECT No.: 120        |  |               |
| DRAWING No.: 120-02-PFD.dwg |  |               |



Devon Energy Corporation  
 333 West Sheridan Avenue, Oklahoma City, OK 73102-5015

DBBU - SPINE DESIGN - REV 3.1  
 PROCESS FLOW DIAGRAM  
 MUSTANG 8 CTB 2

FILE NAME: 120-02-PFD  
 DWG REV: A

PLOT SCALE: 0.4638:1  
 BY: MUSGRJ  
 LAST SAVED: 7/8/25 2:31 PM  
 W:\USACORPORATE\ENGINEERING\TECHNOLOGY\DRAWING\002 ARTESIA\NY\08BU\DBBU - PRODUCTION FACILITIES - SPINE DESIGN\120-02-PFD.DWG



Sante Fe Main Office  
Phone: (505) 476-3441

General Information  
Phone: (505) 629-6116

Online Phone Directory  
<https://www.emnrd.nm.gov/oecd/contact-us>

**State of New Mexico**  
**Energy, Minerals and Natural Resources**  
**Oil Conservation Division**  
**1220 S. St Francis Dr.**  
**Santa Fe, NM 87505**

CONDITIONS

Action 559350

**CONDITIONS**

|   |   |
|---|---|
| Operator:<br>DEVON ENERGY PRODUCTION COMPANY, LP<br>333 West Sheridan Ave.<br>Oklahoma City, OK 73102 | OGRID:<br>6137                                      |
|   | Action Number:<br>559350                            |
|   | Action Type:<br>[C-103] NOI General Sundry (C-103X) |

**CONDITIONS**

| Created By | Condition   | Condition Date |
|------------|---|----------------|
| dmcclure   | ACCEPTED FOR RECORD ONLY. No later than 30 days after the initial installation of artificial lift in a well or altering the type of artificial lift in a well thereafter, the operator shall submit a subsequent report to the Division detailing that work in accordance with 19.15.7.14 NMAC. The subsequent report shall be submitted as a [C-103] Sub. Workover (C-103R). | 3/13/2026      |