

U.S. Department of the Interior  
BUREAU OF LAND MANAGEMENT

**Well Name:** GETTY 24 FEDERAL

**Well Location:** T22S / R31E / SEC 24 /  
NWSE / 32.3746903 / -103.7282686

**County or Parish/State:** EDDY /  
NM

**Well Number:** 16

**Type of Well:** OIL WELL

**Allottee or Tribe Name:**

**Lease Number:** NMNM25876

**Unit or CA Name:**

**Unit or CA Number:**

**US Well Number:** 3001532644

**Operator:** CHEVRON USA  
INCORPORATED

### Notice of Intent

**Sundry ID:** 2893393

**Type of Submission:** Notice of Intent

**Type of Action:** Plug and Abandonment

**Date Sundry Submitted:** 01/29/2026

**Time Sundry Submitted:** 01:33

**Date proposed operation will begin:** 02/09/2026

**Procedure Description:** Permit Procedure attached Current WBD attached Proposed WBD attached

### Surface Disturbance

**Is any additional surface disturbance proposed?:** No

### NOI Attachments

**Procedure Description**

BLM\_NOI\_P\_A\_Packet\_20260129013209.pdf

Well Name: GETTY 24 FEDERAL

Well Location: T22S / R31E / SEC 24 / NWSE / 32.3746903 / -103.7282686

County or Parish/State: EDDY / NM

Well Number: 16

Type of Well: OIL WELL

Allottee or Tribe Name:

Lease Number: NMNM25876

Unit or CA Name:

Unit or CA Number:

US Well Number: 3001532644

Operator: CHEVRON USA INCORPORATED

**Operator**

I certify that the foregoing is true and correct. Title 18 U.S.C. Section 1001 and Title 43 U.S.C. Section 1212, make it a crime for any person knowingly and willfully to make to any department or agency of the United States any false, fictitious or fraudulent statements or representations as to any matter within its jurisdiction. Electronic submission of Sundry Notices through this system satisfies regulations requiring a

Operator Electronic Signature: SAHDY YOUSEF

Signed on: JAN 29, 2026 01:32 AM

Name: CHEVRON USA INCORPORATED

Title: Engineer

Street Address: 6301 DEAUVILLE BLVD

City: MIDLAND State: TX

Phone: (325) 242-5652

Email address: TJZG@CHEVRON.COM

**Field**

Representative Name:

Street Address:

City: State: Zip:

Phone:

Email address:

**BLM Point of Contact**

BLM POC Name: KEITH P IMMATTY

BLM POC Title: ENGINEER

BLM POC Phone: 5759884722

BLM POC Email Address: KIMMATTY@BLM.GOV

Disposition: Approved

Disposition Date: 03/18/2026

Signature: KEITH IMMATTY

Form 3160-5  
(October 2024)

UNITED STATES  
DEPARTMENT OF THE INTERIOR  
BUREAU OF LAND MANAGEMENT

FORM APPROVED  
OMB No. 1004-0220  
Expires: October 31, 2027

**SUNDRY NOTICES AND REPORTS ON WELLS**  
**Do not use this form for proposals to drill or to re-enter an abandoned well. Use Form 3160-3 (APD) for such proposals.**

5. Lease Serial No.

6. If Indian, Allottee or Tribe Name

**SUBMIT IN TRIPLICATE - Other instructions on page 2**

7. If Unit of CA/Agreement, Name and/or No.

1. Type of Well

Oil Well     Gas Well     Other

8. Well Name and No.

2. Name of Operator

9. API Well No.

3a. Address

3b. Phone No. (include area code)

10. Field and Pool or Exploratory Area

4. Location of Well (Footage, Sec., T.,R.,M., or Survey Description)

11. Country or Parish, State

**12. CHECK THE APPROPRIATE BOX(ES) TO INDICATE NATURE OF NOTICE, REPORT OR OTHER DATA**

TYPE OF SUBMISSION	TYPE OF ACTION			
<input type="checkbox"/> Notice of Intent	<input type="checkbox"/> Acidize	<input type="checkbox"/> Deepen	<input type="checkbox"/> Production (Start/Resume)	<input type="checkbox"/> Water Shut-Off
<input type="checkbox"/> Subsequent Report	<input type="checkbox"/> Alter Casing	<input type="checkbox"/> Hydraulic Fracturing	<input type="checkbox"/> Reclamation	<input type="checkbox"/> Well Integrity
<input type="checkbox"/> Final Abandonment Notice	<input type="checkbox"/> Casing Repair	<input type="checkbox"/> New Construction	<input type="checkbox"/> Recomplete	<input type="checkbox"/> Other
	<input type="checkbox"/> Change Plans	<input type="checkbox"/> Plug and Abandon	<input type="checkbox"/> Temporarily Abandon	
	<input type="checkbox"/> Convert to Injection	<input type="checkbox"/> Plug Back	<input type="checkbox"/> Water Disposal	

13. Describe Proposed or Completed Operation: Clearly state all pertinent details, including estimated starting date of any proposed work and approximate duration thereof. If the proposal is to deepen directionally or recomplete horizontally, give subsurface locations and measured and true vertical depths of all pertinent markers and zones. Attach the Bond under which the work will be performed or provide the Bond No. on file with BLM/BIA. Required subsequent reports must be filed within 30 days following completion of the involved operations. If the operation results in a multiple completion or recompletion in a new interval, a Form 3160-4 must be filed once testing has been completed. Final Abandonment Notices must be filed only after all requirements, including reclamation, have been completed and the operator has determined that the site is ready for final inspection.)

14. I hereby certify that the foregoing is true and correct. Name (Printed/Typed)

Title

Signature

Date

**THE SPACE FOR FEDERAL OR STATE OFFICE USE**

Approved by

Title

Date

Conditions of approval, if any, are attached. Approval of this notice does not warrant or certify that the applicant holds legal or equitable title to those rights in the subject lease which would entitle the applicant to conduct operations thereon.

Office

Title 18 U.S.C Section 1001 and Title 43 U.S.C Section 1212, make it a crime for any person knowingly and willfully to make to any department or agency of the United States any false, fictitious or fraudulent statements or representations as to any matter within its jurisdiction.

(Instructions on page 2)

## GENERAL INSTRUCTIONS

This form is designed for submitting proposals to perform certain well operations and reports of such operations when completed as indicated on Federal and Indian lands pursuant to applicable Federal law and regulations. Any necessary special instructions concerning the use of this form and the number of copies to be submitted, particularly with regard to local area or regional procedures and practices, are either shown below, will be issued by or may be obtained from the local Federal office.

## SPECIFIC INSTRUCTIONS

*Item 4* - Locations on Federal or Indian land should be described in accordance with Federal requirements. Consult the local Federal office for specific instructions.

*Item 13*: Proposals to abandon a well and subsequent reports of abandonment should include such special information as is required by the local Federal office. In addition, such proposals and reports should include reasons for the abandonment; data on any former or present productive zones or other zones with present significant fluid contents not sealed off by cement or otherwise; depths (top and bottom) and method of placement of cement plugs; mud or other material placed below, between and above plugs; amount, size, method of parting of any casing, liner or tubing pulled and the depth to the top of any tubing left in the hole; method of closing top of well and date well site conditioned for final inspection looking for approval of the abandonment. If the proposal will involve **hydraulic fracturing operations**, you must comply with 43 CFR 3162.3-3, including providing information about the protection of usable water. Operators should provide the best available information about all formations containing water and their depths. This information could include data and interpretation of resistivity logs run on nearby wells. Information may also be obtained from state or tribal regulatory agencies and from local BLM offices.

## NOTICES

The privacy Act of 1974 and the regulation in 43 CFR 2.48(d) provide that you be furnished the following information in connection with information required by this application.

AUTHORITY: 30 U.S.C. 181 et seq., 351 et seq., 25 U.S.C. 396; 43 CFR 3160.

PRINCIPAL PURPOSE: The information is used to: (1) Evaluate, when appropriate, approve applications, and report completion of subsequent well operations, on a Federal or Indian lease; and (2) document for administrative use, information for the management, disposal and use of National Resource lands and resources, such as: (a) evaluating the equipment and procedures to be used during a proposed subsequent well operation and reviewing the completed well operations for compliance with the approved plan; (b) requesting and granting approval to perform those actions covered by 43 CFR 3162.3-2, 3162.3-3, and 3162.3-4; (c) reporting the beginning or resumption of production, as required by 43 CFR 3162.4-1(c) and (d) analyzing future applications to drill or modify operations in light of data obtained and methods used.

ROUTINE USES: Information from the record and/or the record will be transferred to appropriate Federal, State, local or foreign agencies, when relevant to civil, criminal or regulatory investigations or prosecutions in connection with congressional inquiries or to consumer reporting agencies to facilitate collection of debts owed the Government.

EFFECT OF NOT PROVIDING THE INFORMATION: Filing of this notice and report and disclosure of the information is mandatory for those subsequent well operations specified in 43 CFR 3162.3-2, 3162.3-3, 3162.3-4.

The Paperwork Reduction Act of 1995 requires us to inform you that:

The BLM collects this information to evaluate proposed and/or completed subsequent well operations on Federal or Indian oil and gas leases.

Response to this request is mandatory.

The BLM would like you to know that you do not have to respond to this or any other Federal agency-sponsored information collection unless it displays a currently valid OMB control number.

**BURDEN HOURS STATEMENT:** Public reporting burden for this form is estimated to average 8 hours per response, including the time for reviewing instructions, gathering and maintaining data, and completing and reviewing the form. Direct comments regarding the burden estimate or any other aspect of this form to U.S. Department of the Interior, Bureau of Land Management (1004-0137), Bureau Information Collection Clearance Officer (WO-630), 1849 C St., N.W., Mail Stop 401 LS, Washington, D.C. 20240

## Additional Information

### Location of Well

0. SHL: NWSE / 1800 FSL / 1650 FEL / TWSP: 22S / RANGE: 31E / SECTION: 24 / LAT: 32.3746903 / LONG: -103.7282686 ( TVD: 0 feet, MD: 0 feet )

BHL: NWSE / 1800 FSL / 1650 FEL / TWSP: 22S / SECTION: / LAT: 0.0 / LONG: 0.0 ( TVD: 0 feet, MD: 0 feet )

**LESSER PRAIRIE CHICKEN  
R111Q POTASH**

**Permit Procedure: Getty 24 Fed 16 API: 30-015-32644**

1. MIRU pulling unit. Spot surface equipment
2. Test tubing 500 psi. Unseat pump and LD rods. NUBOP. Release TAC. POH w/ tubing.
3. RIH w/ tubing open ended and spot 20sx cl H f/ 8511-8357 Bone spring limestone
  - a. WOC Tag Plug **25SKS MINIMUM**
4. MIRU WL. Test lubricator 1000# 5 min. Run gauge ring first. Set CIBP +/-6546.
  - a. Pressure Test CIBP to 500psi for 30 minutes. Verify no leakage
5. Perform CBL on Production casing and report back to engineer and BLM for review.
6. RIH w/ tubing and lightly tag CIBP.
7. If CIBP test passed spot and upgrade 30sx class H f/ 6546-6271 (perfs & Brushy Canyon)
  - a. Spot & Go
8. Isolate Cherry Canyon/DV Tool spot 95sx class C f/ 6150-5200
  - a. WOC/Tag Plug
9. Isolate Int Shot/Bell Canyon/Base Salt/Lamar and DV Tool spot 195sx class C f/ 4550-2600
  - a. WOC/Tag Plug
10. Upgrade Potash Plug spot 188sx class c 2600-700
  - a. WOC/Tag Plug
11. Upgrade Potash Plug/Surface plug spot 70sx f/ 700-0
  - a. Confirm cement at surface
12. Rig down and prep to cut off wellhead.

**25SKS MINIMUM FOR SPOTTED PLUGS. OK AS PROPOSED**

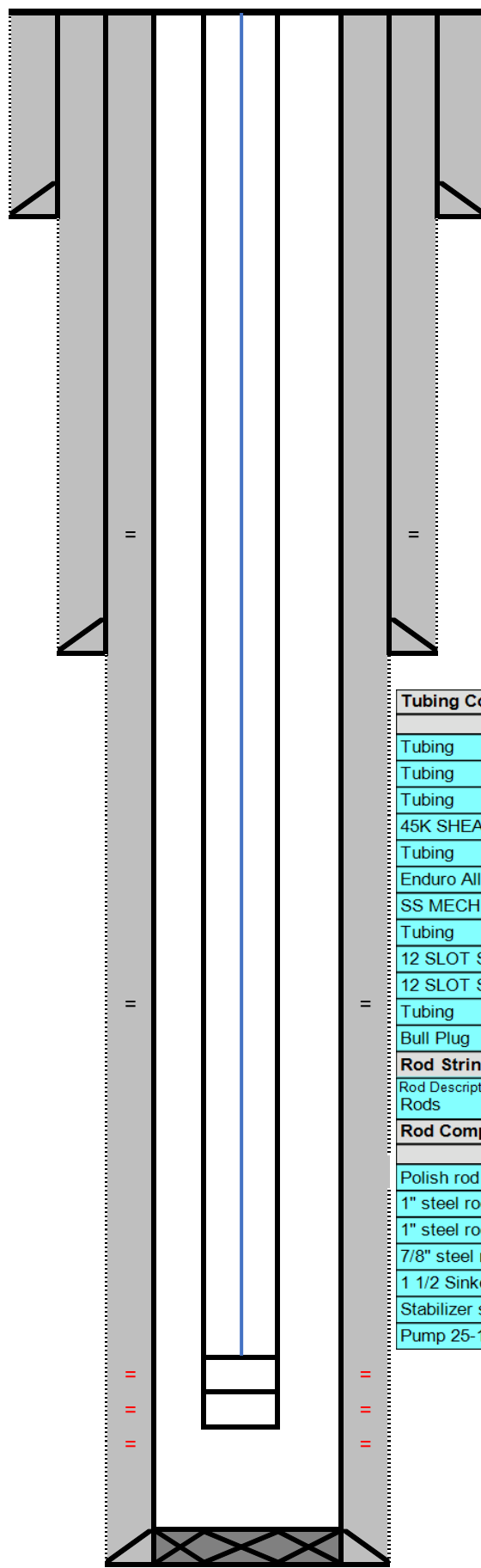
**APPROVED**

**By Keith Immatty at 10:33 am, Mar 18, 2026**

Field: Livingston Ridge Delaware  
 Lease: Getty 24 FED 16  
 Location: J-24-22S-31E 1800 FSL 1650 FEL  
 County: Eddy St: NM

API: 30-015-32644 Spud Date: 4/23/2003  
 Refno: HK2994 TD Date: 5/10/2003  
 Prod Formation: Brushy Canyon Completed Date: 6/5/2003  
 Status: Oil Producer - SI GL: 3585'  
 R111P: Yes KB:  
 Fresh Water 100

Current WBD



**Surface Csg.**  
 Size: 13 3/8"  
 Wt.: 48# H-40  
 Set @: 807'  
 Sxs cmt: 950 sx  
 Circ: Yes (250sx)  
 TOC: 0'  
 Hole Size: 17 1/2"

**Intermediate Csg.**  
 Size: 8 5/8"  
 Wt.: 32# K-55  
 Set @: 4462'  
 Sxs Cmt: 1300 sx  
 Circ: Yes (250sx)  
 TOC: 0'  
 Hole Size: 11"

**Production Csg.**  
 Size: 5 1/2"  
 Wt.: 17# J-55  
 Set @: 8600'  
 Sxs Cmt: 1350 sx  
 DV Tool Set Depth: 3687'  
 DV Tool Set Depth: 6094'  
 Circ: Yes (83sx)  
 TOC: 0'  
 Hole Size: 7 7/8"

Formation Name	Formation Top
Rustler	767
Salado	1120
Castille	3033
Base of Salt	4439
Lamar	4439
Bell Canyon	4499
Cherry Canyon	5343
Brushy Canyon	6602
Bone Spring Limestone	8328
Avalon Upper	8381
Top Perfs	6596
Bottom Perfs	8357
PBTD	8552
TD	8600

Tubing Components							
Item Des	Jts	OD (in)	ID (in)	Wt (lb/ft)	Grade	Len (ft)	Btm (ftOTH)
Tubing	205	2 7/8	2.441	6.50	L-80	6,422.19	6,454.9
Tubing	1	2 7/8	2.441	6.50	L-80	4.00	6,458.9
Tubing	2	2 7/8	2.441	6.50	L-80	63.62	6,522.5
45K SHEAR TAC	1	2 7/8				3.50	6,526.0
Tubing	56	2 7/8	2.441	6.50	L-80	1,775.34	8,301.4
Enduro Alloy Jt	2	2 7/8	2.441	6.50	L-80	64.65	8,366.0
SS MECH SN	1	2 7/8				1.00	8,367.0
Tubing	1	2 7/8	2.441	6.50	L-80	4.00	8,371.0
12 SLOT SAND SCREEN	1	2 7/8				24.10	8,395.1
12 SLOT SAND SCREEN	1	2 7/8				25.60	8,420.7
Tubing	3	2 7/8	2.441	6.50	L-80	96.75	8,517.5
Bull Plug	1	2 7/8				0.50	8,518.0

Rod Strings: Rods, Run Date: 5/24/2021				
Rod Description	Run Date	Set Depth (ftO)	Full Date	Len (ft)
Rods	5/24/2021	8,378.0		8,324.00

Rod Components					
Item Des	OD (in)	Wt (lb/ft)	Grade	Len (ft)	Btm (ftOTH)
Polish rod				26.00	80.0
1" steel rod subs, 4', 6', 8'			HD	18.00	98.0
1" steel rods			n-97	2,900.00	2,998.0
7/8" steel rods			N-97	5,000.00	7,998.0
1 1/2 Sinker bars			K	350.00	8,348.0
Stabilizer sub			N-97	4.00	8,352.0
Pump 25-175-RHBM-26-6				26.00	8,378.0

Field: Livingston Ridge Delaware  
 Lease: Getty 24 FED 16  
 Location: J-24-22S-31E 1800 FSL 1650 FEL  
 County: Eddy St: NM

API: 30-015-32644 Spud Date: 4/23/2003  
 Refno: HK2994 TD Date: 5/10/2003  
 Prod Formation: Brushy Canyon Completed Date: 6/5/2003  
 Status: Oil Producer - SI GL: 3585'  
 R111P: Yes KB:  
 Fresh Water 100

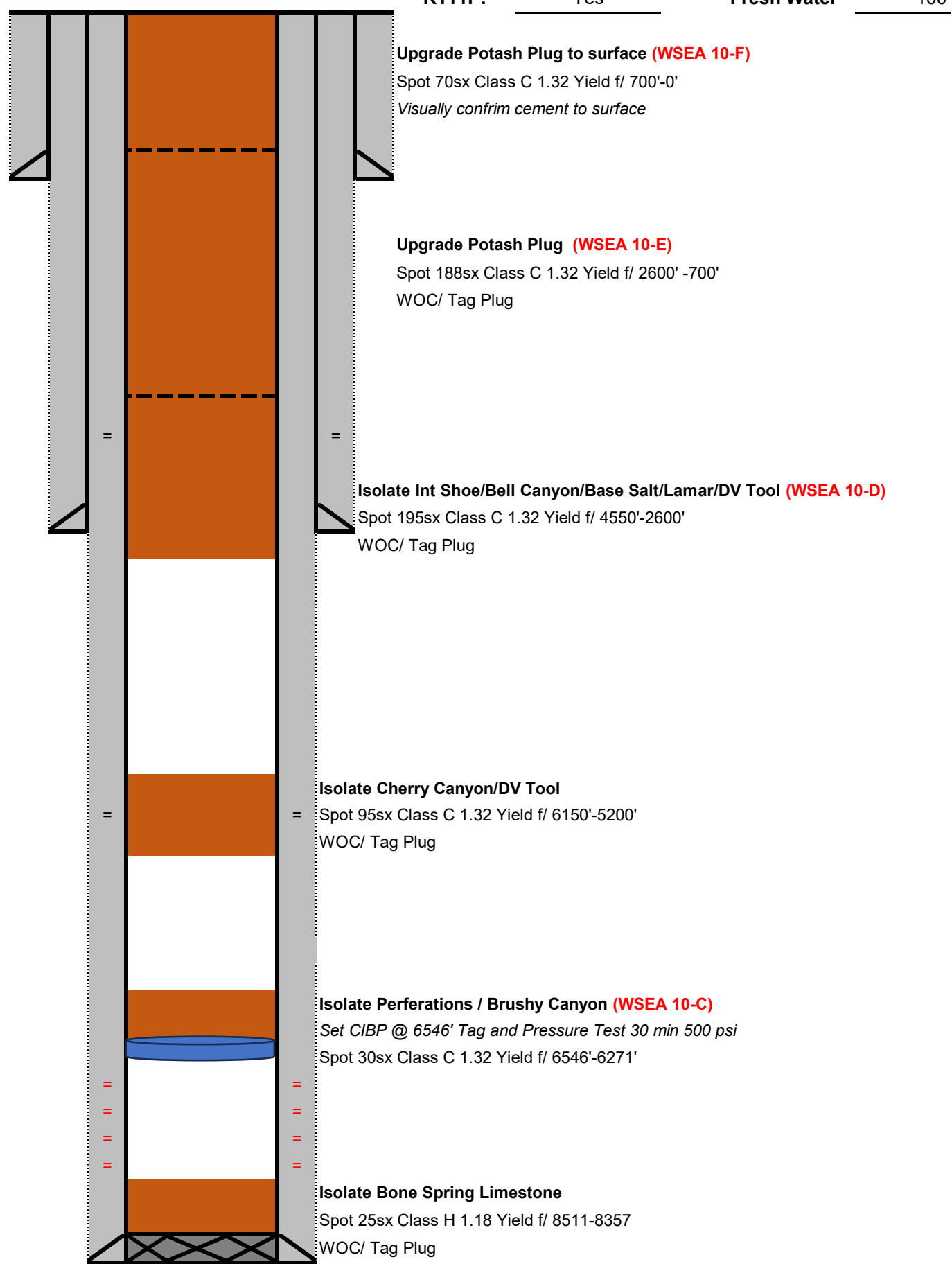
Proposed WBD

**Surface Csg.**  
 Size: 13 3/8"  
 Wt.: 48# H-40  
 Set @: 807'  
 Sxs cmt: 950 sx  
 Circ: Yes (250sx)  
 TOC: 0'  
 Hole Size: 17 1/2"

**Intermediate Csg.**  
 Size: 8 5/8"  
 Wt.: 32# K-55  
 Set @: 4462'  
 Sxs Cmt: 1300 sx  
 Circ: Yes (250sx)  
 TOC: 0'  
 Hole Size: 11"

**Production Csg.**  
 Size: 5 1/2"  
 Wt.: 17# J-55  
 Set @: 8600'  
 Sxs Cmt: 1350 sx  
 DV Tool Set Depth: 3687'  
 DV Tool Set Depth: 6094'  
 Circ: Yes (83sx)  
 TOC: 0'  
 Hole Size: 7 7/8"

Formation Name	Formation Top
Rustler	767
Salado	1120
Castille	3033
Base of Salt	4439
Lamar	4439
Bell Canyon	4499
Cherry Canyon	5343
Brushy Canyon	6602
Bone Spring Limestone	8328
Avalon Upper	8381
Top Perfs	6596
Bottom Perfs	8357
PBTD	8511
TD	8600



**BUREAU OF LAND MANAGEMENT  
Carlsbad Field Office  
620 East Greene Street  
Carlsbad, New Mexico 88220  
575-234-5972**

**Permanent Abandonment of Federal Wells  
Conditions of Approval**

Failure to comply with the following Conditions of Approval may result in a Notice of Incidents of Noncompliance (INC) in accordance with 43 CFR 3163.1.

Plugging operations shall commence within **ninety (90)** days from the approval date of this Notice of Intent to Abandon.

**If you are unable to plug the well by the 90<sup>th</sup> day provide this office, prior to the 90<sup>th</sup> day, with the reason for not meeting the deadline and a date when we can expect the well to be plugged. Failure to do so will result in enforcement action.**

**The rig used for the plugging procedure cannot be released and moved off without the prior approval of the authorized officer. Failure to do so may result in enforcement action.**

**Notification: Contact the appropriate BLM office at least 24 hours prior to the commencing of any plugging operations. For wells in Chaves and Roosevelt County, call 575-627-0272; Lea County, call 575-689-5981. Eddy County, please email notifications to: [BLM\\_NM\\_CFO\\_PluggingNotifications@BLM.GOV](mailto:BLM_NM_CFO_PluggingNotifications@BLM.GOV). The Eddy County inspector on call phone, 575-361-2822, will remain active as a secondary contact.**

**Blowout Preventers:** A blowout preventer (BOP), as appropriate, shall be installed before commencing any plugging operation. The BOP must be installed and maintained as per API and manufacturer recommendations. The minimum BOP requirement is a 2M system for a well not deeper than 9,090 feet; a 3M system for a well not deeper than 13,636 feet; and a 5M system for a well not deeper than 22,727 feet.

**Mud Requirement:** Mud shall be placed between all plugs. Minimum consistency of plugging mud shall be obtained by mixing at the rate of 25 sacks (50 pounds each) of gel per 100 barrels of water. Minimum nine (9) pounds per gallon.

**Cement Requirement:** Sufficient cement shall be used to bring any required plug to the specified depth and length. Any given cement volumes on the proposed plugging procedure are merely estimates and are not final. Unless specific approval is received, no plug except the surface plug shall be less than 25 sacks of cement. Any plug that requires a tag will have a minimum WOC time of 4 hours for Class C or accelerated cement (calcium chloride) and 6 hours for Class H. Tagging the plug means running in the hole with a string of tubing or drill pipe and placing sufficient weight on the plug to ensure its integrity. Other methods of tagging the plug may be approved by the BLM authorized officer or BLM field representative.

In lieu of a cement plug across perforations in a cased hole (not for any other plugs), a bridge plug set within 50 feet to 100 feet above the perforations shall be capped with 25 sacks of cement. If a bailer is used to cap this plug, 35 feet of cement shall be sufficient. **Before pumping or bailing cement on top of CIBP, tag will be required to verify depth. Based on depth, a tag of the cement may be deemed necessary.**

Unless otherwise specified in the approved procedure, the cement plug shall consist of either Neat Class "C", for up to 7,500 feet of depth or Neat Class "H", for deeper than 7,500 feet plugs.

Fluid used to mix the cement in R111Q shall be saturated with the salts common to the section penetrated, and in suitable proportions but not less than 1% and not more than 3% calcium chloride by weight of cement will be considered the desired mixture whenever possible.

Above Ground Level Marker: If outside of Lesser Prairie-Chicken Habitat an above ground level marker shall be utilized. All casing shall be cut-off at the base of the cellar or 3 feet below final restored ground level (whichever is deeper). **The BLM is to be notified *BY PHONE* (numbers listed in 2. Notifications) a minimum of 4 hours prior to the wellhead being cut off to verify that cement is to surface in the casing and all annuluses. Wellhead cut off shall commence within fourteen (14) calendar days of the well being plugged. If the cut off cannot be done by the 14<sup>th</sup> day, the BLM is to be contacted with justification to receive an extension for completing the cut off.**

The well bore shall then be capped with a 4-inch pipe, 10-feet in length, 4 feet above ground and embedded in cement, unless otherwise noted in COA (requirements will be attached). The following information shall be permanently inscribed on the dry hole marker: well name and number, name of the operator, lease serial number, surveyed location (quarter-quarter section, section, township and range or other authorized survey designation acceptable to the authorized officer such as metes and bounds). A weep hole shall be left if a metal plate is welded in place.

Below Ground Level Marker: If within Lesser Prairie-Chicken Habitat a below ground level marker shall be utilized. All casing shall be cutoff at the base of the cellar or 3 feet below final restored ground level (whichever is deeper). **The BLM is to be notified *BY PHONE* (numbers listed in 2. Notifications) a minimum of 4 hours prior to the wellhead being cut off to verify that cement is to surface in the casing and all annuluses. Wellhead cut off shall commence within fourteen (14) calendar days of the well being plugged. If the cut off cannot be done by the 14<sup>th</sup> day, the BLM is to be contacted with justification to receive an extension for completing the cut off.**

Upon the plugging and subsequent abandonment of wells that are located in lesser prairie-chicken habitat, the casings shall be cut-off at the base of the cellar or 3 feet below final restored ground level (whichever is deeper). The well bore shall then be covered with a metal plate at least ¼ inch thick and welded in place. A weep hole shall be left in the plate and/or casing. The following information shall be permanently inscribed on the plate: well name and number, name of operator, lease serial number, surveyed location (quarter-quarter section, section, township and range or other authorized survey designation acceptable to the authorized officer such as metes and bounds).

NMOCD also requires the operator to notify NMOCD when this type of dry hole marker is used. This can be done on the subsequent report of abandonment which is submitted to the BLM after the well is plugged. State that a below ground cap was installed as required in the COA's from the BLM.

Operator to verify the ground marker type with the BLM before setting dry hole Marker.

Subsequent Plugging Reporting: Within 30 days after plugging work is completed, Subsequent Report of Abandonment should be filed via AFMSS reporting system. Please include the following information:

- The report should give in detail the manner in which the plugging work was carried out, the extent (by depths) of cement plugs placed, and the size and location (by depths) of casing left in the well.
- The final copy of CBL
- Any email correspondence regarding changes to originally approved procedure
- Show date well was plugged.

Trash: All trash, junk and other waste material shall be contained in trash cages or bins to prevent scattering and will be removed and deposited in an approved sanitary landfill. Burial on site is not permitted.

Following the submission and approval of the Subsequent Report of Abandonment, surface restoration will be required. See attached reclamation objectives.

**Timing Limitation Stipulation/ Condition of Approval for Lesser Prairie-Chicken:**

From March 1<sup>st</sup> through June 15<sup>th</sup> annually, abandonment activities will be allowed except between the hours from 3:00 am and 9:00 am. Normal vehicle use on existing roads will not be restricted.



# United States Department of the Interior

## BUREAU OF LAND MANAGEMENT

Carlsbad Field Office  
620 E. Greene St.  
Carlsbad, New Mexico 88220-6292  
www.blm.gov/nm



In Reply Refer To: 1310

### Reclamation Objectives and Procedures

**Reclamation Objective:** Oil and gas development is one of many uses of the public lands and resources. While development may have a short- or long-term effect on the land, successful reclamation can ensure the effect is not permanent. During the life of the development, all disturbed areas not needed for active support of production operations should undergo “interim” reclamation in order to minimize the environmental impacts of development on other resources and uses. At final abandonment, well locations, production facilities, and access roads must undergo “final” reclamation so that the character and productivity of the land and water are restored.

The long-term objective of final reclamation is to set the course for eventual ecosystem restoration, including the restoration of the natural vegetation community, hydrology, and wildlife habitats. In most cases this means returning the land to a condition approximating or equal to that which existed prior to the disturbance. The final goal of reclamation is to restore the character of the land and water to its pre-disturbance condition. The operator is generally not responsible for achieving full ecological restoration of the site. Instead, the operator must achieve the short-term stability, visual, hydrological, and productivity objectives of the surface management agency and take steps necessary to ensure that long-term objectives will be reached through natural processes.

To achieve these objectives, remove any/all contaminants, scrap/trash, equipment, pipelines and powerlines **(Contact service companies, allowing plenty of time to have the risers and power lines and poles removed prior to reclamation, don't wait till the last day and try to get them to remove infrastructure)**. Strip and remove caliche, contour the location to blend with the surrounding landscape, re-distribute the native soils, provide erosion control as needed, rip (across the slope and seed as specified in the original APD COA. **This will apply to well pads, facilities, and access roads.** Barricade access road at the starting point. If reserve pits have not reclaimed due to salts or other contaminants, submit a plan for approval, as to how you propose to provide adequate restoration of the pit area.

The Application for Permit to Drill or Reenter (APD, Form 3160-3), Surface Use Plan of Operations must include adequate measures for stabilization and reclamation of disturbed lands. Oil and Gas operators must plan for reclamation, both interim and final, up front in the APD process as per Onshore Oil and Gas Order No. 1.

For wells and/or access roads not having an approved plan, or an inadequate plan for surface reclamation (either interim or final reclamation), the operator must submit a proposal describing the procedures for reclamation. For interim reclamation, the appropriate time for submittal would be when filing the Well Completion or Recompletion Report and Log (Form 3160-4). For final reclamation, the appropriate time for submittal would be when filing the Notice of Intent, or the Subsequent Report of Abandonment, Sundry Notices and Reports on Wells (Form 3160-5). Interim reclamation is to be completed within 6 months of well completion, and final reclamation is to be completed within 6 months of well abandonment.

The operator must file a Subsequent Report Plug and Abandonment (Form 3160-5) following the plugging of a well.

Previous instruction had you waiting for a BLM specialist to inspect the location and provide you with reclamation requirements. If you have an approved Surface Use Plan of Operation and/or an approved Sundry Notice, you are free to proceed with reclamation as per approved APD. If you have issues or concerns, contact a BLM specialist to assist you. It would be in your interest to have a BLM specialist look at the location and access road prior to the removal of reclamation equipment to ensure that it meets BLM objectives. Upon

conclusion submit a Form 3160-5, Subsequent Report of Reclamation. This will prompt a specialist to inspect the location to verify work was completed as per approved plans.

The approved Subsequent Report of Reclamation will be your notice that the native soils, contour and seedbed have been reestablished. If the BLM objectives have not been met the operator will be notified and corrective actions may be required.

It is the responsibility of the operator to monitor these locations and/or access roads until such time as the operator feels that the BLM objective has been met. If after two growing seasons the location and/or access roads are not showing the potential for successful revegetation, additional actions may be needed. When you feel the BLM objectives have been met submit a Final Abandonment Notice (FAN), Form 3160-5, stating that all reclamation requirements have been achieved and the location and/or access road is ready for a final abandonment inspection.

At this time the BLM specialist will inspect the location and/or access road. If the native soils and contour have been restored, and the revegetation is successful, the FAN will be approved, releasing the operator of any further liability of the location and/or access road. If the location and/or access road have not achieved the objective, you will be notified as to additional work needed or additional time being needed to achieve the objective.

If there are any questions, please feel free to contact any of the following specialists:

Jim Amos  
Supervisory Petroleum Engineering Tech/Environmental Protection Specialist  
575-234-5909 (Office), 575-361-2648 (Cell)

Arthur Arias  
Environmental Protection Specialist  
575-234-6230

Crisha Morgan  
Environmental Protection Specialist  
575-234-5987

Jose Martinez-Colon  
Environmental Protection Specialist  
575-234-5951

Angela Mohle  
Environmental Protection Specialist  
575-234-9226

Robert Duenas  
Environmental Protection Specialist  
575-234-2229

Terry Gregston  
Environmental Protection/HAZMAT Specialist  
575-234-5958

Sante Fe Main Office  
Phone: (505) 476-3441

General Information  
Phone: (505) 629-6116

Online Phone Directory  
<https://www.emnrd.nm.gov/ocd/contact-us>

**State of New Mexico**  
**Energy, Minerals and Natural Resources**  
**Oil Conservation Division**  
**1220 S. St Francis Dr.**  
**Santa Fe, NM 87505**

CONDITIONS

Action 564482

**CONDITIONS**

Operator: CHEVRON U S A INC 6301 Deauville Blvd Midland, TX 79706	OGRID: 4323
	Action Number: 564482
	Action Type: [C-103] NOI Plug & Abandon (C-103F)

**CONDITIONS**

Created By	Condition	Condition Date
gcordero	Run CBL with zero psi, keep hole loaded, log to surface.	4/2/2026
gcordero	A Cement Bond Log (CBL) is required to be submitted to electronic permitting.	4/2/2026
gcordero	Submit Cement Bond Logs (CBL) prior to submittal of C-103P.	4/2/2026
gcordero	Adhere to current Plug & Abandon (P&A) Conditions Of Approvals (COA).	4/2/2026