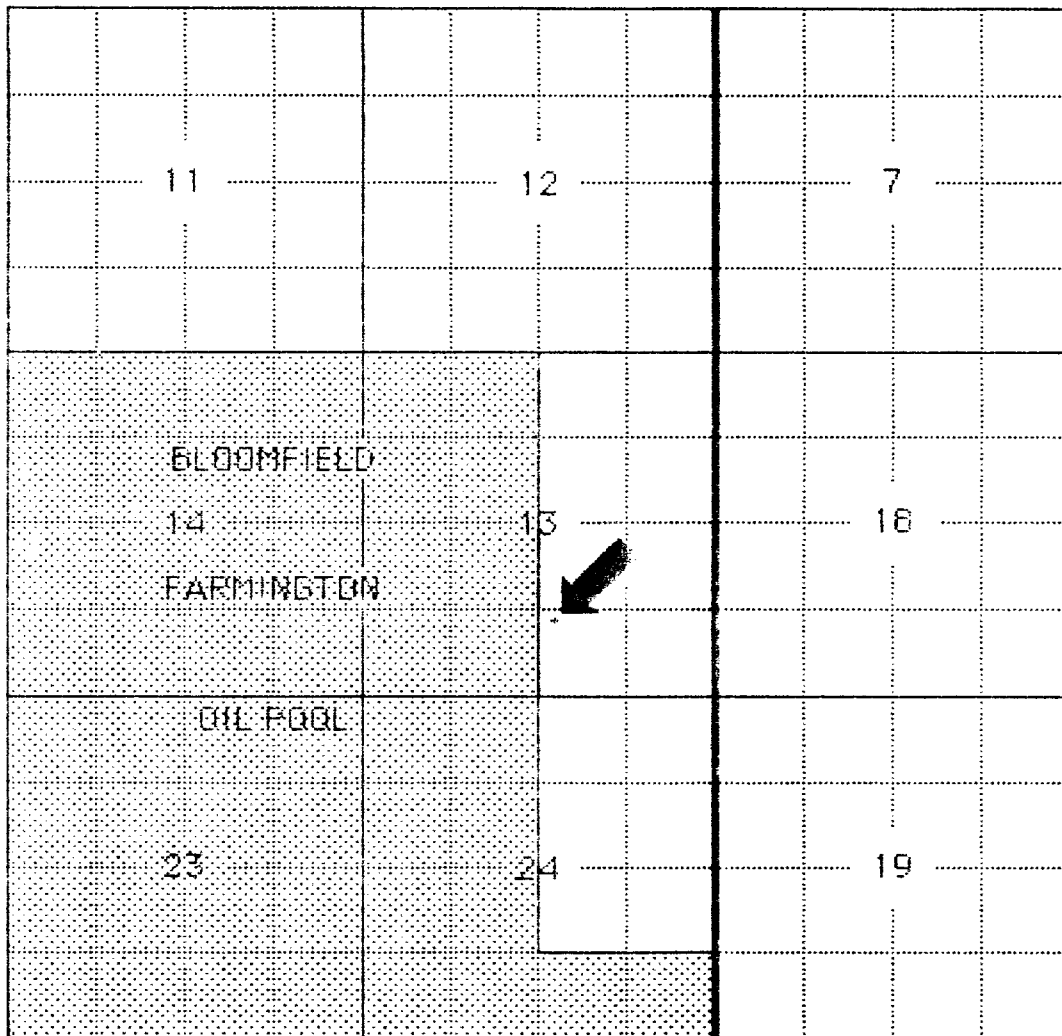


# BLOOMFIELD FARMINGTON OIL POOL



BEFORE EDWARD STOGNER  
DE. COMMISSIONER  
\_\_\_\_\_ COUNTY NO. 7  
CASE NO. \_\_\_\_\_