

NEW MEXICO OIL CONSERVATION COMMISSION
WELL LOCATION AND ACREAGE DEDICATION PLAT

Form C-102
Supersedes C-128
Effective 1-1-65

All distances must be from the outer boundaries of the Section.

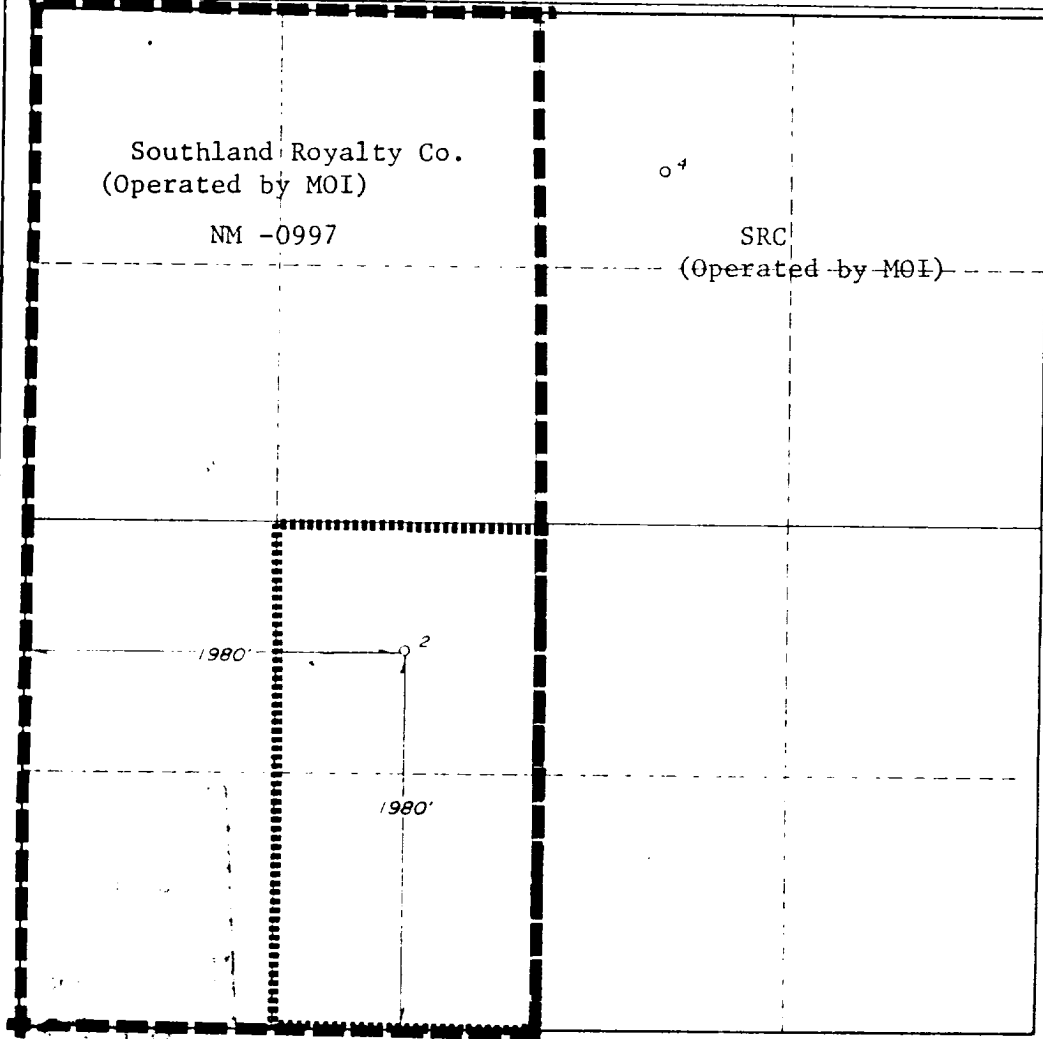
Operator MERIDIAN OIL, INC.			Lease FEDERAL "21"		Well No. 2
Unit Letter K	Section 21	Township 18-SOUTH	Range 33-EAST	County LEA	
Actual Footage Location of Well:					
1980 feet from the SOUTH line and		1980 feet from the WEST line			
Ground Level Elev. 3821'	Producing Formation Wolfcamp	Pool South Corbin	Dedicated Acreage: 80 Acres		

1. Outline the acreage dedicated to the subject well by colored pencil or hachure marks on the plat below
2. If more than one lease is dedicated to the well, outline each and identify the ownership thereof (both as to working interest and royalty).
3. If more than one lease of different ownership is dedicated to the well, have the interests of all owners been consolidated by communitization, unitization, force-pooling, etc?

Yes No If answer is "yes," type of consolidation _____

If answer is "no," list the owners and tract descriptions which have actually been consolidated. (Use reverse side of this form if necessary.) _____

No allowable will be assigned to the well until all interests have been consolidated (by communitization, unitization, forced-pooling, or otherwise) or until a non-standard unit, eliminating such interests, has been approved by the Commission.



CERTIFICATION

I hereby certify that the information contained herein is true and complete to the best of my knowledge and belief.

Connie Monahan

Name
Connie Monahan

Position
Operations Tech III

Company
Southland Royalty Company

Date
2-20-89

I hereby certify that the well location shown on this plat was plotted from field notes of actual surveys made by me or under my supervision, and that the same is true and correct to the best of my knowledge and belief.

Date Signed
BEZNER

Registered Professional Engineer and/or Land Surveyor
NO. 7920

V. Lynn Bezner

Certificate No.
7920

BLOWOUT PREVENTION EQUIPMENT
 10" 900s ALL FLANGED EQUIPMENT
 5,000# WORKING PRESSURE - 10,000# TEST

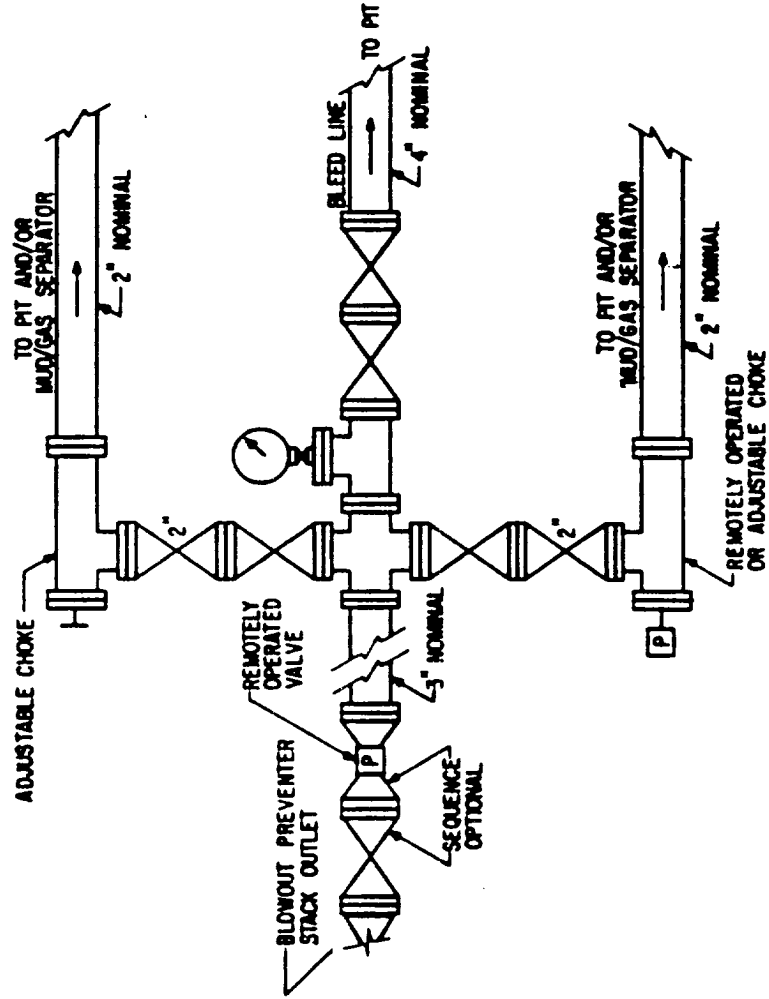
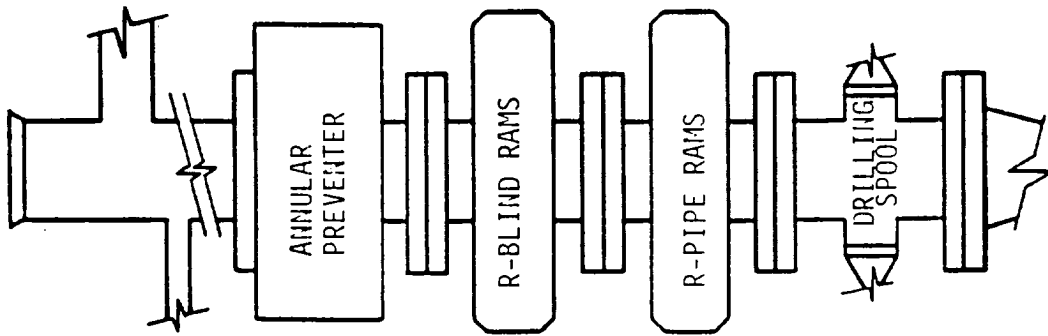


FIG. 3.A.2
 TYPICAL CHOKE MANIFOLD ASSEMBLY FOR 6M
 RATED WORKING PRESSURE SERVICE -
 SURFACE INSTALLATION

68/11/5 p224

173

RECEIVED

MAR 14 1989

OCD
HOBBS OFFICE