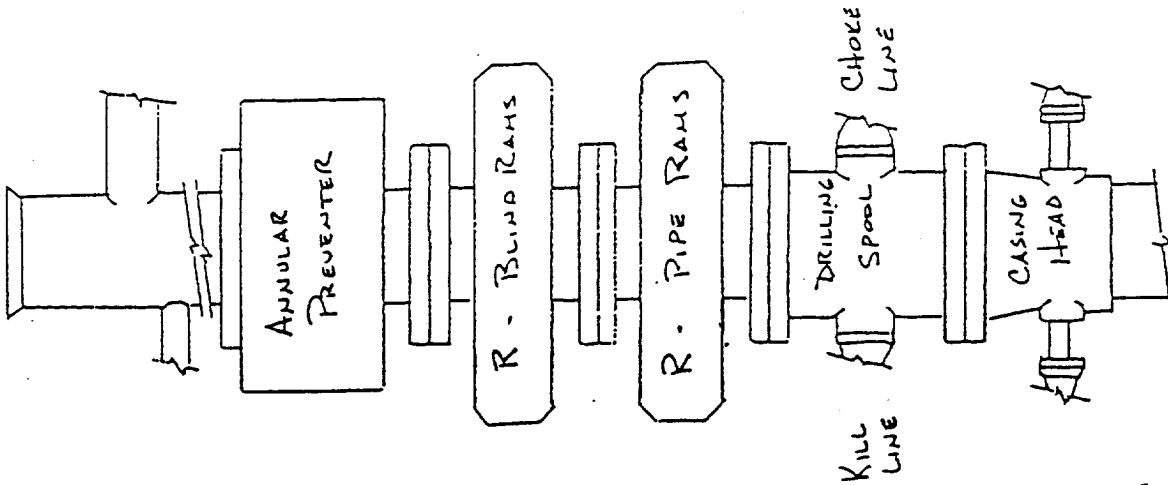
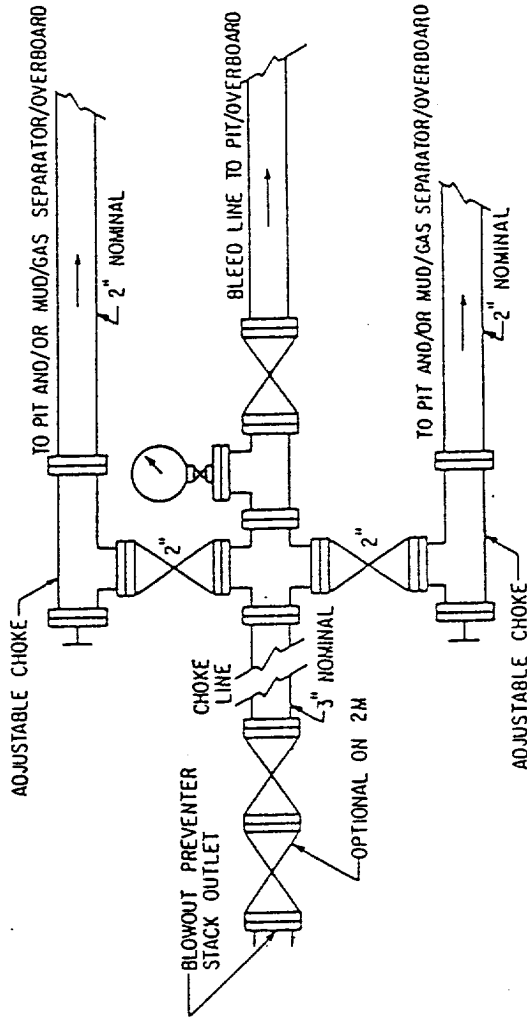


Blowout Preventer
 Matador Operating Company
 Laughlin #3
 430' FSL; 1650' FEL
 Sec 4, T20S, R37E
 Lea County, New Mexico



3000 PSI
 WORKING PRESSURE



ABOVE DATE DOES NOT
INDICATE WHEN
CONFIDENTIAL LOGS
WILL BE RELEASED

ELF 5/15/61