

District I  
1625 N. French Dr., Hobbs, NM 88240  
District II  
1301 W. Grand Avenue, Artesia, NM 88210  
District III  
1000 Rio Brazos Rd., Aztec, NM 87410  
District IV  
1220 S. St. Francis Dr., Santa Fe, NM 87505

Oil Conservation Division  
1220 S. St. Francis Dr.  
Santa Fe, NM 87505

Submit to appropriate District Office

AMENDED REPORT

**APPLICATION FOR PERMIT TO DRILL, RE-ENTER, DEEPEN, PLUGBACK, OR ADD A ZONE**

<sup>1</sup> Operator Name and Address Marathon Oil Company P.O. Box 3487 Houston, TX 77253-3487		<sup>2</sup> OGRID Number 14021 ✓
		<sup>3</sup> API Number 30- 25-22217
<sup>4</sup> Property Code 006442 ✓	<sup>5</sup> Property Name J.L. Muncy	<sup>6</sup> Well No. 4 ✓
<sup>9</sup> Proposed Pool 1 Tubb 86440 ✓		<sup>10</sup> Proposed Pool 2

<sup>7</sup> Surface Location

UL or lot no.	Section	Township	Range	Lot Idn	Feet from the	North/South Line	Feet from the	East/West line	County
H	24	22-S	37-E		1980	North	660	East	Lea

<sup>8</sup> Proposed Bottom Hole Location If Different From Surface

UL or lot no.	Section	Township	Range	Lot Idn	Feet from the	North/South Line	Feet from the	East/West line	County

Additional Well Location

<sup>11</sup> Work Type Code A	<sup>12</sup> Well Type Code G	<sup>13</sup> Cable/Rotary	<sup>14</sup> Lease Type Code P	<sup>15</sup> Ground Level Elevation 3325'
<sup>16</sup> Multiple Yes	<sup>17</sup> Proposed Depth	<sup>18</sup> Formation Tubb	<sup>19</sup> Contractor	<sup>20</sup> Spud Date
Depth to ground water		Distance from nearest fresh water well		Distance from nearest surface water
Pit: Liner: Synthetic <input type="checkbox"/> _____ mils thick Clay <input type="checkbox"/> Pit Volume _____ bbls Drilling Method: Closed-Loop System <input type="checkbox"/> Fresh Water <input type="checkbox"/> Brine <input type="checkbox"/> Diesel/Oil-based <input type="checkbox"/>				

<sup>21</sup> Proposed Casing and Cement Program

Hole Size	Casing Size	Casing weight/foot	Setting Depth	Sacks of Cement	Estimated TOC
12 1/4"	9 5/8"	36 & 40 #	1399'	520	
8 3/4"	7"	23#	7117'	1706	1300' f/ surface
Permit Expires 1 Year From Approval Date Unless Drilling Underway Adding					

<sup>22</sup> Describe the proposed program. If this application is to DEEPEN or PLUG BACK, give the data on the present productive zone and proposed new productive zone. Describe the blowout prevention program, if any. Use additional sheets if necessary.

Marathon Oil Company is proposing to add the Tubb formation in the J.L. Muncy No 4 well. This well is currently downhole commingled in the Blinebry and Brunson Drinkard Abo South pools under permit number DHC#314. This application for the Tubb addition was first made and approved in 2006. That original permit has expired and had listed a pool in error. An application for a permit to DHC the well in the Tubb, Blinebry, and Brunson Drinkard Abo South pools has been filed with the NMOCD in Santa Fe at this time. The Tubb completion is already approved for simultaneous dedication of acreage under SD # 200614. ✓

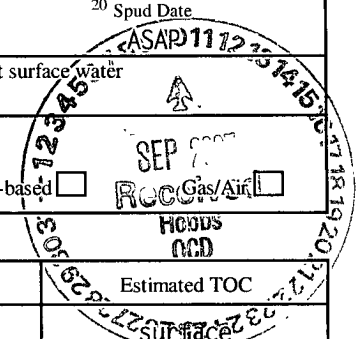
<sup>23</sup> I hereby certify that the information given above is true and complete to the best of my knowledge and belief. I further certify that the drilling pit will be constructed according to NMOCD guidelines  a general permit , or an (attached) alternative OCD-approved plan .  
Signature: *Charles E. Kendrix*

Printed name: Charles E. Kendrix  
Title: Regulatory Compliance Representative  
E-mail Address: cekendrix@marathonoil.com  
Date: 08/28/2007 Phone: 713-296-2096

OIL CONSERVATION DIVISION

Approved by: *Chris Williams*  
Title: **OCD DISTRICT SUPERVISOR/GENERAL MANAGER**  
Approval Date: **SEP 11 2007** Expiration Date:

Conditions of Approval: Approval to recomplete & test new zone, but cannot produce Downhole commingle until DHC is approved in Hobbs District office according to R-11363.





District I  
1625 N. French Dr., Hobbs, NM 88240  
District II  
1301 W. Grand Avenue, Artesia, NM 88210  
District III  
1000 Rio Brazos Rd., Aztec, NM 87410  
District IV  
1220 S. St. Francis Dr., Santa Fe, NM 87505

State of New Mexico  
Energy, Minerals & Natural Resources

Form C-102  
Revised October 12, 2005

OIL CONSERVATION DIVISION  
1220 South St. Francis Dr.  
Santa Fe, NM 87505

Submit to Appropriate District Office  
State Lease - 4 Copies  
Fee Lease - 3 Copies

AMENDED REPORT

WELL LOCATION AND ACREAGE DEDICATION PLAT

<sup>1</sup> API Number 30-025-22217		<sup>2</sup> Pool Code 88640		<sup>3</sup> Pool Name Tubb	
<sup>4</sup> Property Code 006442		<sup>5</sup> Property Name J.L. Muncy			<sup>6</sup> Well Number 4
<sup>7</sup> OGRID No. 14021		<sup>8</sup> Operator Name Marathon Oil Company.			<sup>9</sup> Elevation 3325'

<sup>10</sup> Surface Location

UL or lot no.	Section	Township	Range	Lot. Idn	Feet from the	North/South line	Feet from the	East/West line	County
H	24	22-S	37-E		1980	North	660	East	Lea

<sup>11</sup> Bottom Hole Location If Different From Surface

UL or lot no.	Section	Township	Range	Lot. Idn	Feet from the	North/South line	Feet from the	East/West line	County
<sup>12</sup> Dedicated Acres 80		<sup>13</sup> Joint or Infill Y		<sup>14</sup> Consolidation Code		<sup>15</sup> Order No.			

NO ALLOWABLE WILL BE ASSIGNED TO THIS COMPLETION UNTIL ALL INTERESTS HAVE BEEN CONSOLIDATED OR A NON-STANDARD UNIT HAS BEEN APPROVED BY THE DIVISION

<div data-bbox="40 997 1039 2026"> </div>	<p><sup>16</sup></p>	<p><sup>17</sup> OPERATOR CERTIFICATION I hereby certify that the information contained herein is true and complete to the best of my knowledge and belief, and that this organization either owns a working interest or unleased mineral interest in the land including the proposed bottom hole location or has a right to drill this well at this location pursuant to a contract with an owner of such a mineral or working interest, or to a voluntary pooling agreement or a compulsory pooling order heretofore entered by the division.</p> <p>Signature: <u>Charles E. Kendrix</u> Date: <u>08/28/2007</u> Printed Name: Charles E. Kendrix Regulatory Compliance Rep</p>
		<p><sup>18</sup> SURVEYOR CERTIFICATION I hereby certify that the well location shown on this plat was plotted from field notes of actual surveys made by me or under my supervision, and that the same is true and correct to the best of my belief.</p>
		<p>Date of Survey Signature and Seal of Professional Surveyor.</p>
		<p>Certificate Number</p>

District I  
1625 N. French Dr., Hobbs, NM 88240  
District II  
1301 W. Grand Avenue, Artesia, NM 88210  
District III  
1000 Rio Brazos Rd., Aztec, NM 87410  
District IV  
1220 S. St. Francis Dr., Santa Fe, NM 87505

State of New Mexico  
Energy, Minerals & Natural Resources

Form C-102  
Revised October 12, 2005

OIL CONSERVATION DIVISION  
1220 South St. Francis Dr.  
Santa Fe, NM 87505

Submit to Appropriate District Office  
State Lease - 4 Copies  
Fee Lease - 3 Copies

AMENDED REPORT

WELL LOCATION AND ACREAGE DEDICATION PLAT

<sup>1</sup> API Number 30-025-22217	<sup>2</sup> Pool Code 88640	<sup>3</sup> Pool Name Tubb
<sup>4</sup> Property Code 006442	<sup>5</sup> Property Name J.L. Muncy	
<sup>7</sup> OGRID No. 14021	<sup>8</sup> Operator Name Marathon Oil Company	<sup>6</sup> Well Number 4
		<sup>9</sup> Elevation 3325'

<sup>10</sup> Surface Location

UL or lot no.	Section	Township	Range	Lot. Idn	Feet from the	North/South line	Feet from the	East/West line	County
H	24	22-S	37-E		1980	North	660	East	Lea

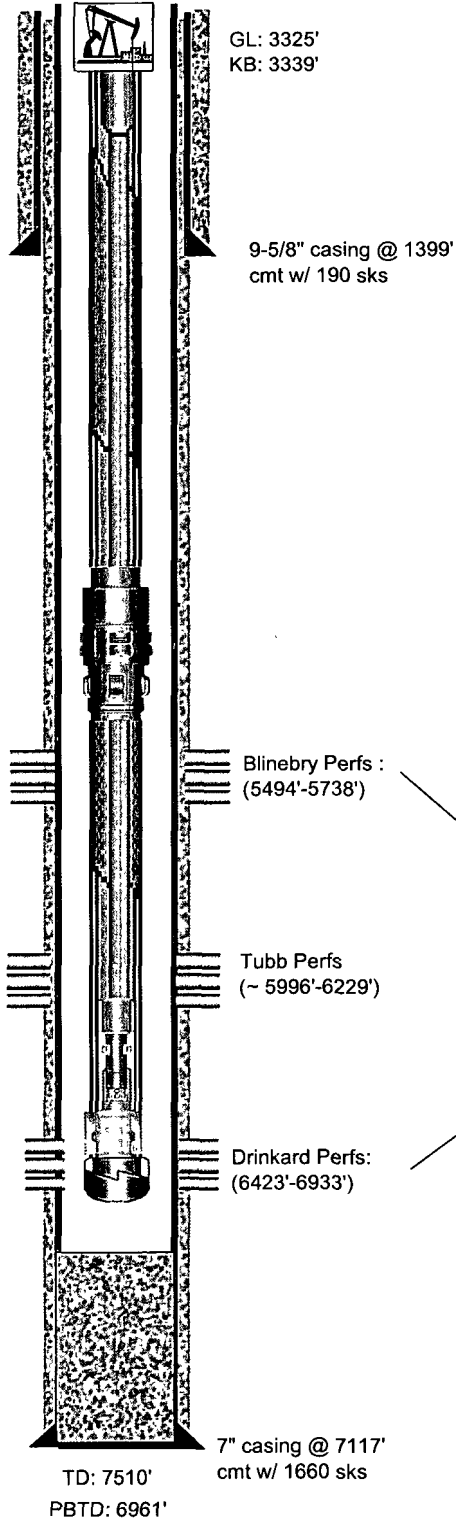
<sup>11</sup> Bottom Hole Location If Different From Surface

UL or lot no.	Section	Township	Range	Lot. Idn	Feet from the	North/South line	Feet from the	East/West line	County

<sup>12</sup> Dedicated Acres 80	<sup>13</sup> Joint or Infill Y	<sup>14</sup> Consolidation Code	<sup>15</sup> Order No.
-------------------------------------	------------------------------------	----------------------------------	-------------------------

NO ALLOWABLE WILL BE ASSIGNED TO THIS COMPLETION UNTIL ALL INTERESTS HAVE BEEN CONSOLIDATED OR A NON-STANDARD UNIT HAS BEEN APPROVED BY THE DIVISION

16		<sup>17</sup> OPERATOR CERTIFICATION <i>I hereby certify that the information contained herein is true and complete to the best of my knowledge and belief, and that this organization either owns a working interest or unleased mineral interest in the land including the proposed bottom hole location or has a right to drill this well at this location pursuant to a contract with an owner of such a mineral or working interest, or to a voluntary pooling agreement or a compulsory pooling order heretofore entered by the division.</i>
		<sup>18</sup> SURVEYOR CERTIFICATION <i>I hereby certify that the well location shown on this plat was plotted from field notes of actual surveys made by me or under my supervision, and that the same is true and correct to the best of my belief</i>
		Certificate Number



**J.L. Muncy #4**  
 County: Lea  
 State: New Mexico  
 Location: 1980' FNL, 660' FEL  
 Section 24, T-22-S, R-37-E  
 API #: 30-025-22217  
 Spud Date: 8/21/67  
 TD: 9/28/67  
 Diagram Date: 8/28/2007

J.L. Muncy w/ proposed Tubb completion.

Blinebry & Drinkard Perfs are commingled  
 DHC # 314