

# BLOW OUT PREVENTOR SCHEMATIC

## CHESAPEAKE OPERATING INC

**WELL** : Alice 13-1

**FIELD** :

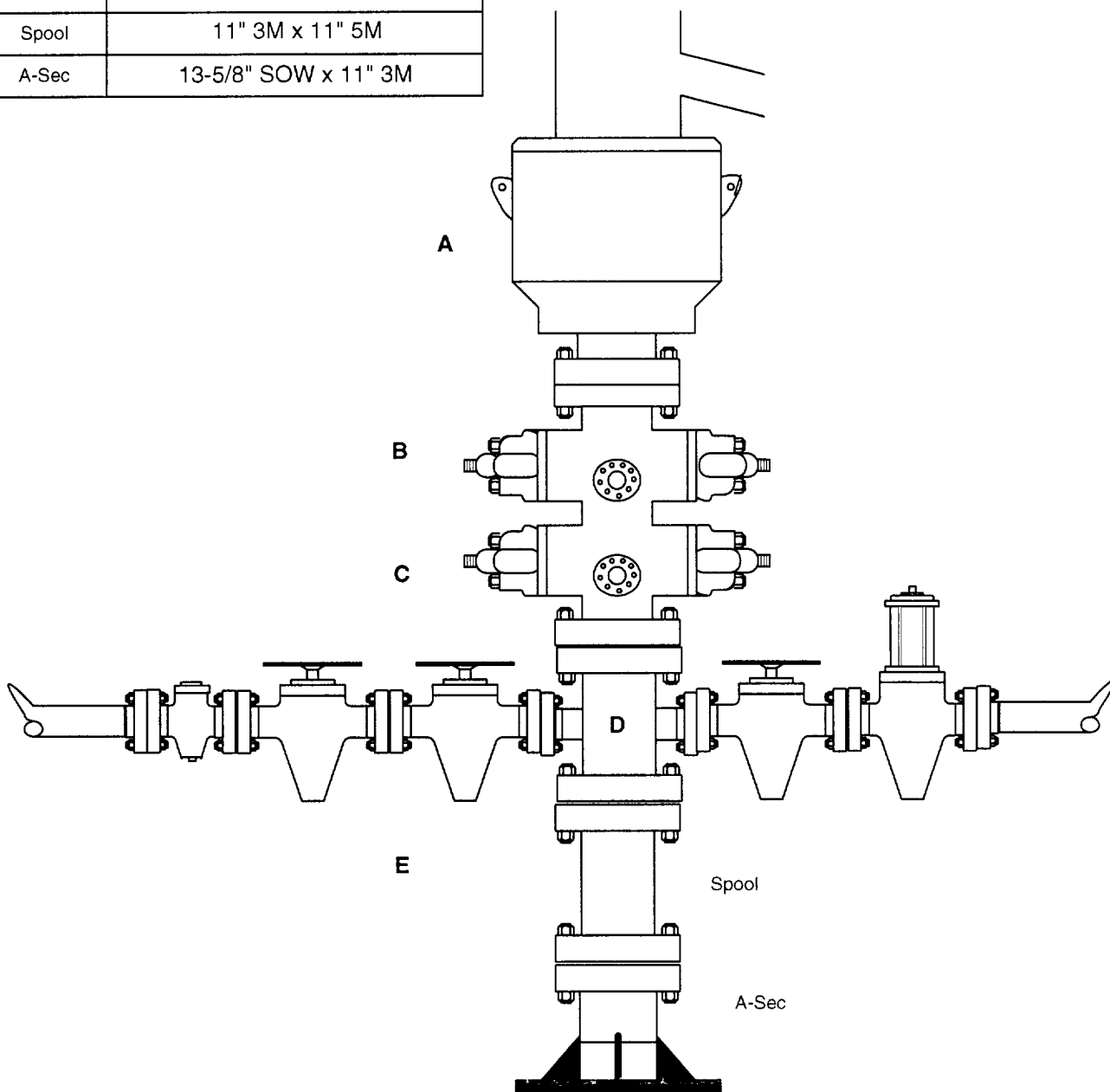
**RIG** : Tmbr/Shrp 24

**COUNTY** : Lea

**STATE:** New Mexico

**OPERATION:** Drill out below 13-5/8" Casing

SIZE	PRESSURE	DESCRIPTION	
A	11"	5,000#	Annular
B	11"	5,000#	Pipe Rams
C	11"	5,000#	Blind Rams
D	11"	5,000#	Mud Cross
Spool	11" 3M x 11" 5M		
A-Sec	13-5/8" SOW x 11" 3M		



### Kill Line

SIZE	PRESSURE	DESCRIPTION
2"	5,000#	Check Valve
2"	5,000#	Gate Valve
2"	5,000#	Gate Valve

### Choke Line

SIZE	PRESSURE	DESCRIPTION
4"	5,000#	Gate Valve
4"	5,000#	HCR Valve

