

Step Rate Injection Test Report

for

Chevron / Texaco

CVGSAU #133

0

Sec.1 - T18S - R34E

03-07-02

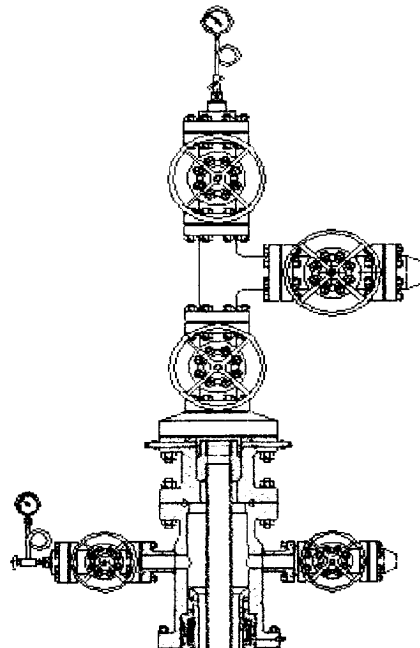
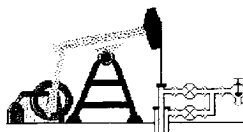


TABLE OF CONTENTS

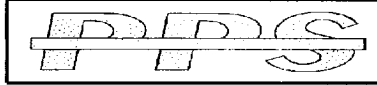
SECTION I	CONTENTS
SECTION II	SEQUENCE OF EVENTS
SECTION III	DATA REPORT
SECTION IV	CHART



COMPANY: Chevron / Texaco
WELL: CVGSAU #133
COMPANY REP: Britton McQuien
PERFORATIONS: N/A

SERVICE DATES : 03-07-02
TEST TYPE : Step Rate
PPS TECHNICIANS : Joe Brown

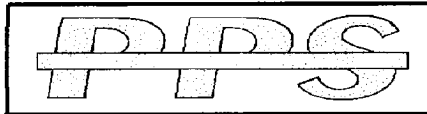
DATE	TIME	REMARKS
3/7/02	14:50	Open up well with 965# at surface. Start pumping at 776 Bbls/day.
03/07/02	16:00	Rate #1.
03/07/02	16:05	
03/07/02	16:10	
03/07/02	16:15	Rate #2.
03/07/02	16:20	
03/07/02	16:25	
03/07/02	16:30	Rate #3.
03/07/02	16:35	
03/07/02	16:40	
03/07/02	16:45	Rate #4.
03/07/02	16:50	
03/07/02	16:55	
03/07/02	17:00	Rate #5.
03/07/02	17:05	
03/07/02	17:10	
03/07/02	17:15	Rate #6.
03/07/02	17:20	
03/07/02	17:25	
03/07/02	17:30	Rate #7.
03/07/02	17:35	
03/07/02	17:40	
03/07/02	17:45	Rate #8.
03/07/02	17:50	
03/07/02	17:55	
03/07/02	18:00	Rate #9.
03/07/02	18:05	
03/07/02	18:10	
03/07/02	18:15	Rate #10.
03/07/02	18:20	
03/07/02	18:25	
03/07/02	18:30	Rate #11.
03/07/02	18:35	
03/07/02	18:40	
03/07/02	18:45	Rate #12.
03/07/02	18:50	



COMPANY : Chevron / Texaco
WELL: CVGSAU #133
COMPANY REP: Britton McQuien
PERFORATIONS: N/A

SERVICE DATES : 03-07-02
TEST TYPE : Step Rate
PPS TECHNICIANS : Joe Brown

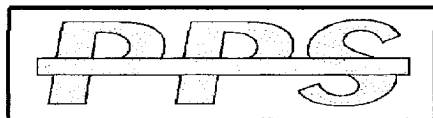
DATE	TIME	REMARKS
3/7/02	14:50	Open up well with 965# at surface. Start pumping at 775 Bbls/day.
03/07/02	16:00	Rate #1.
03/07/02	18:55	
03/07/02	19:00	Rate #13.
03/07/02	19:05	
03/07/02	19:10	
03/07/02	19:15	Rate #14.
03/07/02	19:20	
03/07/02	19:25	
03/07/02	19:30	Rate #15.
03/07/02	19:35	
03/07/02	19:40	
03/07/02	19:45	Start Fall off.
03/07/02	19:46	
03/07/02	19:47	
03/07/02	19:48	
03/07/02	19:49	
03/07/02	19:50	
03/07/02	19:55	
03/07/02	20:00	End Test.



COMPANY : Chevron / Texaco
 WELL: CVGSAU #133
 COMPANY REP: Britton McQuien
 PERFORATIONS: N/A

SERVICE DATES : 03-07-02
 TEST TYPE : Step Rate
 PPS TECHNICIANS : Joe Brown

STEP NO.	TIME	SURFACE TUBING PRESS. (psig)	CUMULATIVE VOL INJECTED (bbls)	INJECTION RATE (bbls/day)	INJECTION RATE (gpm) (3)/34.2857	MEASURED BHP (psi)
	16:00	1188.5				
	16:05	1182.3	2.7	766.7	22.36	
	16:10	1204.6	5.3	761.3	22.20	
1	16:15	1282.3	8.0	765.1	22.31	
	16:20	1311.9	11.5	1028.0	29.98	
	16:25	1312.4	15.5	1139.3	33.23	
2	16:30	1372.6	19.4	1140.1	33.25	
	16:35	1362.6	24.6	1497.3	43.67	
	16:40	1384.8	29.7	1463.0	42.67	
3	16:45	1379.8	34.8	1463.9	42.70	
	16:50	1427.1	41.5	1918.9	55.97	
	16:55	1459.1	48.2	1945.6	56.75	
4	17:00	1433.8	55.0	1946.9	56.79	
	17:05	1477.5	63.1	2346.3	68.43	
	17:10	1472.1	71.2	2334.8	68.10	
5	17:15	1505.9	79.4	2336.1	68.13	
	17:20	1529.1	89.1	2794.8	81.51	
	17:25	1539.4	99.3	2946.0	85.92	
6	17:30	1546.2	109.5	2932.7	85.54	
	17:35	1561.5	120.5	3175.1	92.61	
	17:40	1566.4	131.5	3169.6	92.45	
7	17:45	1583.2	142.5	3167.1	92.37	
	17:50	1600.0	154.9	3575.9	104.30	
	17:55	1624.8	167.4	3598.3	104.95	
8	18:00	1640.6	179.8	3578.9	104.38	
	18:05	1669.7	193.7	4005.5	116.83	
	18:10	1672.2	207.7	4012.1	117.02	
9	18:15	1695.0	221.6	4013.9	117.07	
	18:20	1723.6	237.1	4457.8	130.02	
	18:25	1732.8	252.6	4457.6	130.01	
10	18:30	1732.7	267.6	4322.3	126.07	
	18:35	1725.8	283.1	4474.7	130.51	
	18:40	1751.4	298.6	4474.9	130.52	



COMPANY : Chevron / Texaco
 WELL: CVGSAU #133
 COMPANY REP: Britton McQuien
 PERFORATIONS: N/A

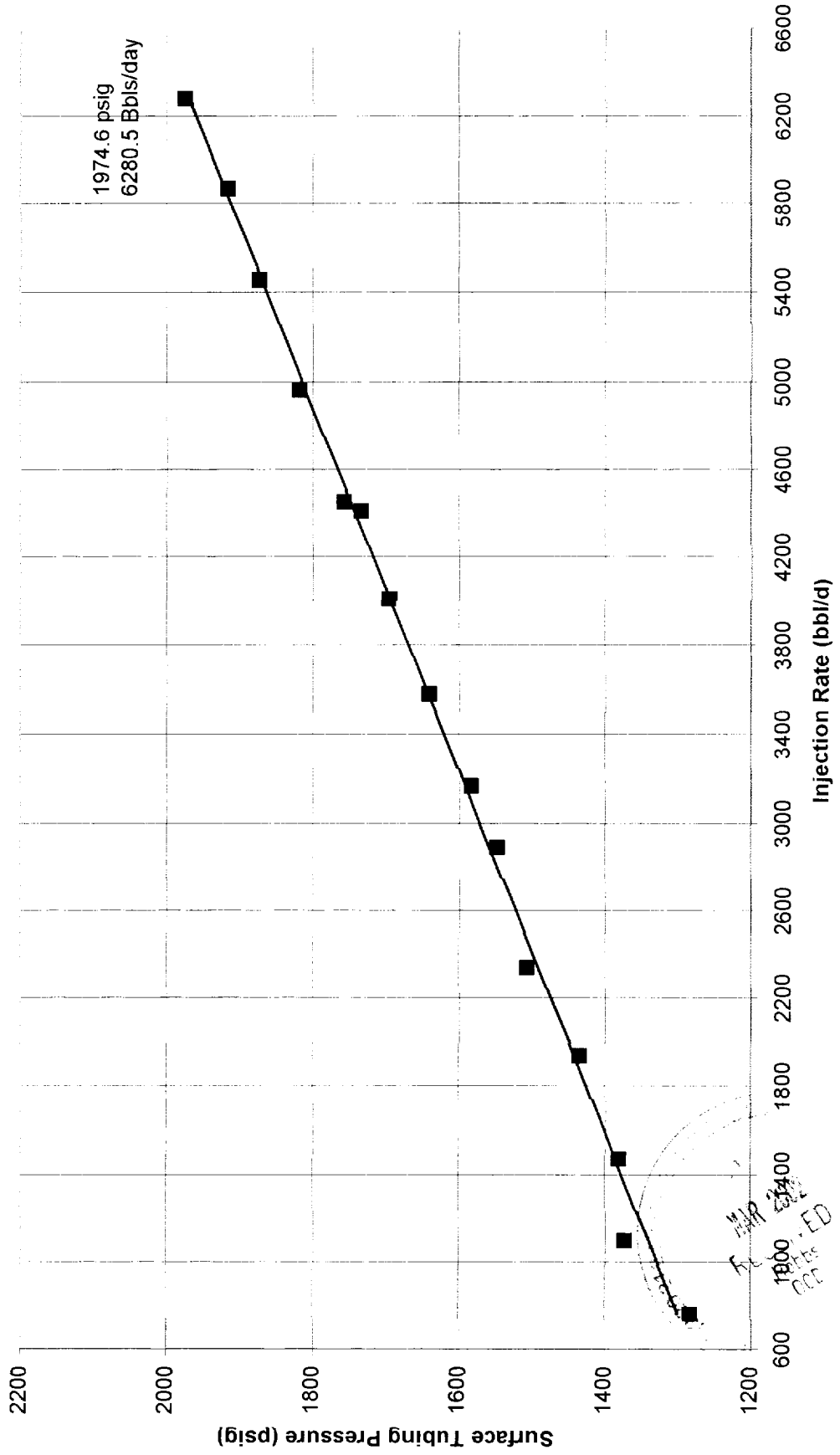
SERVICE DATES : 03-07-02
 TEST TYPE : Step Rate
 PPS TECHNICIANS : Joe Brown

STEP NO.	TIME	SURFACE TUBING PRESS. (psig)	CUMULATIVE VOL INJECTED (bbls)	INJECTION RATE (bbls/day)	INJECTION RATE (gpm) (@)54.2857	MEASURED BHP (psf)
11	18:45	1756.5	314.0	4413.7	128.73	
	18:50	1823.9	330.8	4858.6	141.71	
	18:55	1813.4	348.3	5038.0	146.94	
12	19:00	1817.8	365.7	5006.5	146.02	
	19:05	1861.9	384.4	5383.9	157.03	
	19:10	1871.5	403.3	5445.0	158.81	
13	19:15	1873.0	422.5	5534.9	161.44	
	19:20	1917.6	443.0	5885.9	171.67	
	19:25	1917.4	463.3	5844.9	170.48	
14	19:30	1915.5	483.7	5873.9	171.32	
	19:35	1977.3	505.4	6255.1	182.44	
	19:40	1975.4	527.2	6285.7	183.33	
Falloff	19:45	1974.6	549.1	6300.7	183.77	
	19:46	1533.3				
	19:47	1529.4				
	19:48	1526.4				
	19:49	1522.5				
	19:50	1519.3				
	19:55	1505.7				
	20:00	1493.3				

MAR 8 2002
 RECEIVED
 PPS

Pacific Process Systems, Inc.

Step Rate Injection Test



3406 Lovington Hwy.
Hobbs, NM 88240

Phone: (505) 392-8813
Fax: (505) 392-6612

APR 2002
ED