

BLOWOUT PREVENTION EQUIPMENT
 10" 900s ALL FLANGED EQUIPMENT
 5,000# WORKING PRESSURE - 10,000# TEST

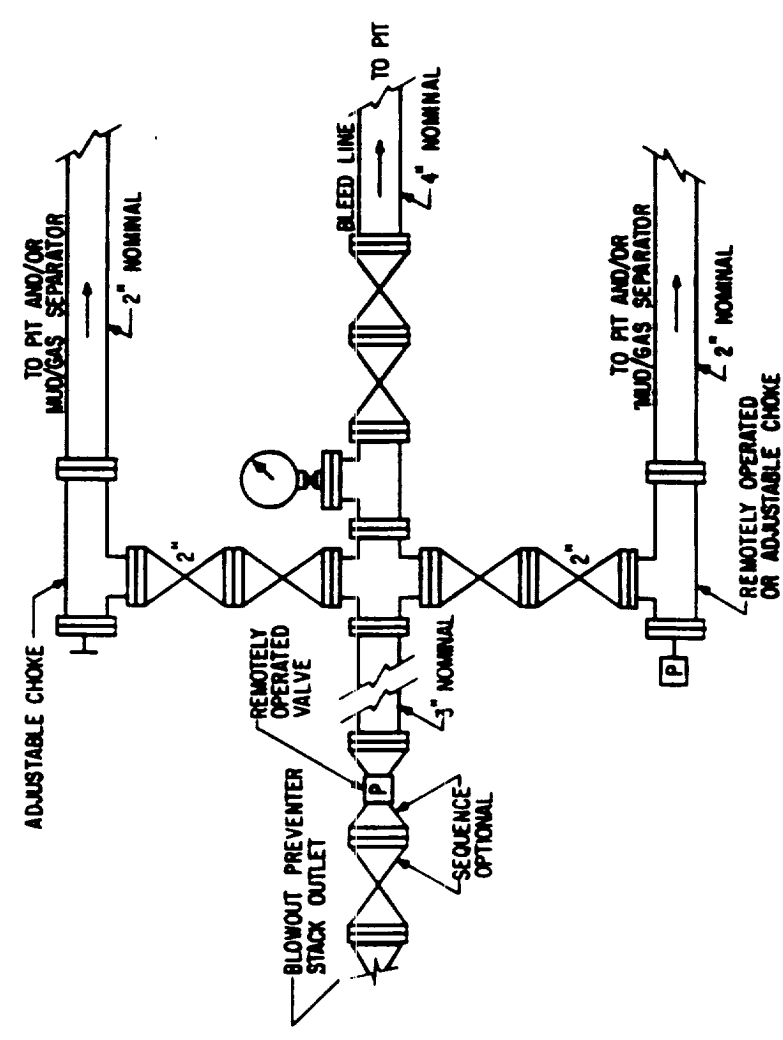
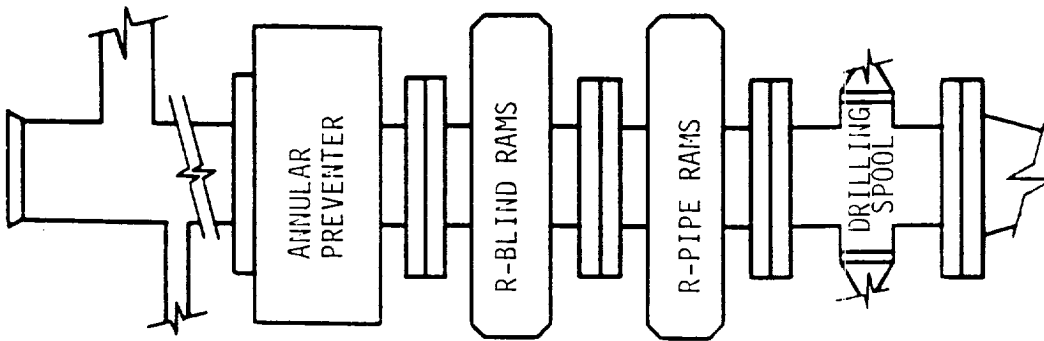


FIG. 3.A.2
 TYPICAL CHOKE MANIFOLD ASSEMBLY FOR 5M
 RATED WORKING PRESSURE SERVICE --
 SURFACE INSTALLATION

MSR 6-3-28

111

MSR 6-3-28