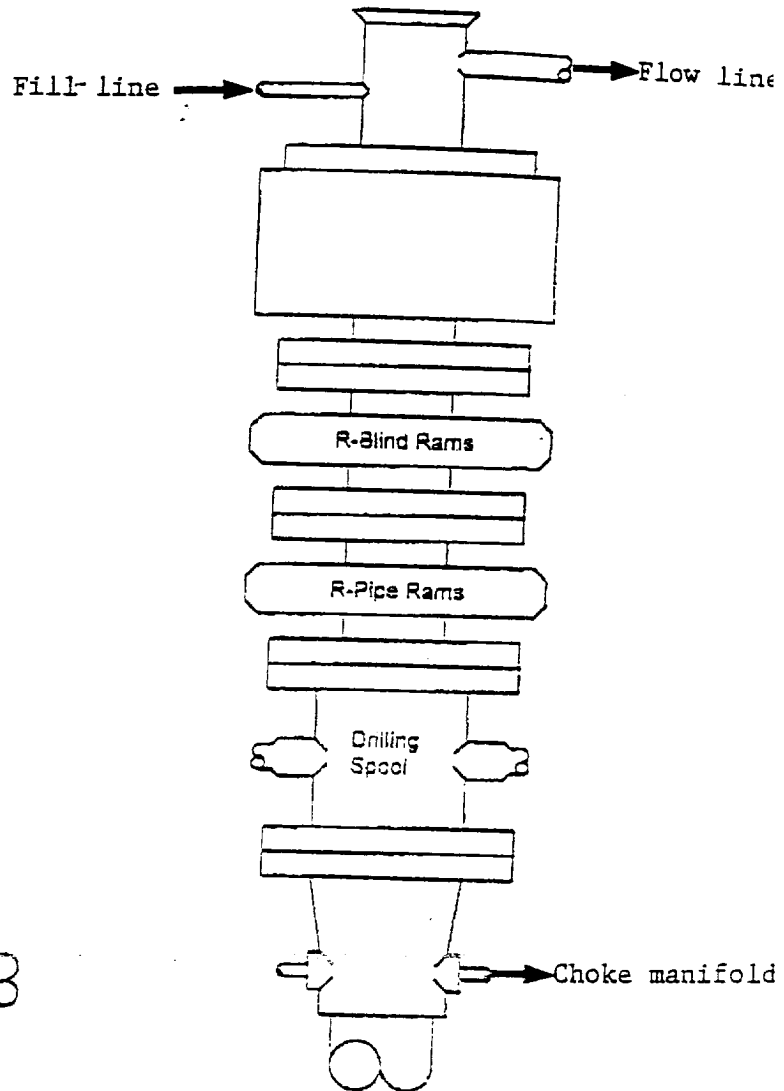
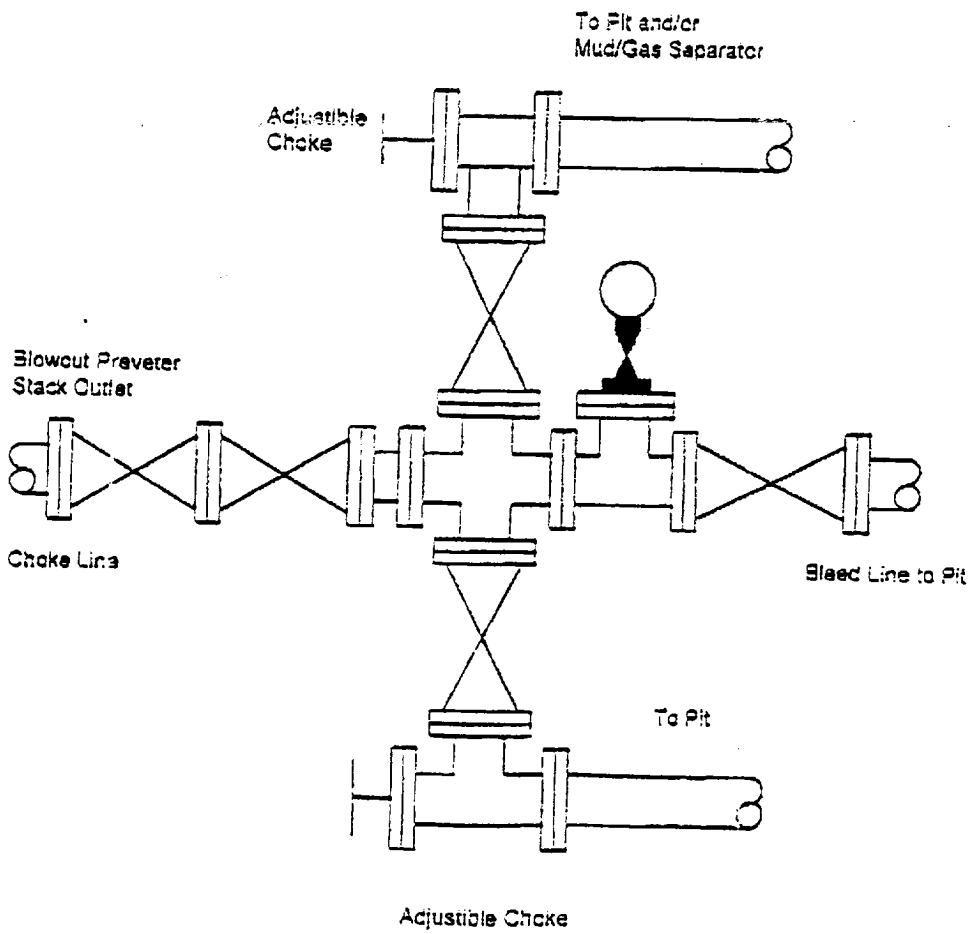


# BLOWOUT PREVENTER SYSTEM



Type 900 Series  
3000 psi WP

## Choke Manifold Assembly for 3M WP System



WILL BE RELEASED  
CONFIDENTIAL LOGS  
INDICATE WHEN  
ABOVE DATE DOES NOT

ELF \_\_\_\_\_  
3/7/2000  
12/6/00