

District I  
P.O. Box 1980, Hobbs, NM 88241-1980  
District II  
811 South First, Artesia, NM 88210  
District III  
1000 Rio Brazos Rd., Aztec, NM 87410  
District IV  
2040 South Pacheco, Santa Fe, NM 87505

State of New Mexico  
Energy, Minerals & Natural Resources Department

OIL CONSERVATION DIVISION  
2040 South Pacheco  
Santa Fe, NM 87505

Form C-101  
Revised October 18, 1994  
Instructions on back  
Submit to Appropriate District Office  
State Lease - 6 Copies  
Fee Lease - 5 Copies  
 AMENDED REPORT

APPLICATION FOR PERMIT TO DRILL, RE-ENTER, DEEPEN, PLUGBACK, OR ADD A ZONE

1 Operator Name and Address Apache Corporation attn: Dennis Bickford; 3rd floor 2000 Post Oak Blvd. Ste. 100 Houston, Texas 77056-4400		2 OGRID Number 873
		3 API Number 30-025-34782
4 Property Code 16833	5 Property Name New Mexico BZ State NCT-8	6 Well No. 16

7 Surface Location

UL or lot no.	Section	Township	Range	Lot Idn	Feet from the	North/South Line	Feet from the	East/West Line	County
O	16	23-S	37-E		330'	South	1980'	East	Lea

8 Proposed Bottom Hole Location If Different From Surface

UL or lot no.	Section	Township	Range	Lot Idn	Feet from the	North/South Line	Feet from the	East/West Line	County
9 Proposed Pool 1 Teague; Paddock-Blinebry					10 Proposed Pool 2				

11 Work Type Code N	12 Well Type Code O	13 Cable/Rotary R	14 Lease Type Code S	15 Ground Level Elevation 3304' KB
16 Multiple	17 Proposed Depth 6300'	18 formation Blinebry	19 Contractor	20 Spud Date 01/01/2000

21 Proposed Casing and Cement Program

Hole Size	Casing Size	Casing weight/foot	Setting Depth	Sacks of Cement	Estimated TOC
12 1/4"	8 5/8"	24# K55 STC	1100' (50' into Anhydrite)	450 sxs	Circulate to Surf
7 7/8"	5 1/2"	17# J55 LTC	6000'	1,025 sx	Circulate to Surf

22 Describe the proposed program. If this application is to DEEPEN or PLUG BACK give the data on the present productive zone and proposed new productive zone. Describe the blowout prevention program, if any. Use additional sheets if necessary.

Propose to drill 12 1/4" hole to 1100' or 50' into Anhydrite Formation, run & set 1100' of 8 5/8" and cement,  
**Lead:** Class "C" + 2% calcium chloride + 0.25 lb/sx cello flake + 0.005% gps FP-6L + 6% bentonite.  
**Tail:** Class "C" + 2% calcium chloride + 0.005 gps FP-6L.  
 Drill 7 7/8" hole to 6000', run & set 6000' of 5 1/2" and cement. **Lead:** 35:65 POZ: Class "C" + 5% sodium chloride + 0.25 lb/sx cello flake + 0.005 gps FP-6L + 8% bentonite. **Tail:** 50:50 POZ: Class "H" + 5% sodium + .25 lb/sx cello flake + 1% FL-25 + 0.005 gps FP-6L + bentonite.

Permit Expires 1 Year From Approval Date Unless Drilling Underway

**Blow Out Prevention:** See attached copy

23 I hereby certify that the information given above is true and complete to the best of my knowledge and belief.		OIL CONSERVATION DIVISION	
Signature: <i>Everett Ouzts</i> 12/8/99		Approved by: <i>Chris Williams</i> SUPERVISOR	
Printed Name: Everett Ouzts		Title:	
Title: Engineering Technician		Approval <b>DEC</b> 8 1999	Expiration Date:
Date: 11/29/99	Phone: 915-631-3733	Conditions on Approval:	

1000

*Williams*

DISTRICT I  
P.O. Box 1980, Hobbs, NM 88241-1980

State of New Mexico  
Energy, Minerals and Natural Resources Department

Form C-102  
Revised February 10, 1994  
Submit to Appropriate District Office  
State Lease - 4 Copies  
Fee Lease - 3 Copies

DISTRICT II  
P.O. Drawer DD, Artesia, NM 86211-0719

DISTRICT III  
1000 Rio Brazos Rd., Aztec, NM 87410

OIL CONSERVATION DIVISION  
P.O. Box 2088  
Santa Fe, New Mexico 87504-2088

DISTRICT IV  
P.O. BOX 2088, SANTA FE, N.M. 87504-2088

AMENDED REPORT

WELL LOCATION AND ACREAGE DEDICATION PLAT

API Number 30-025-34782	Pool Code 58300	Pool Name Teague; Paddock-Blinebry
Property Code 16833	Property Name New Mexico BZ State NCT-8	Well Number 16
OGRID No. 873	Operator Name APACHE CORPORATION	Elevation 3304

Surface Location

UL or lot No.	Section	Township	Range	Lot Idn	Feet from the	North/South line	Feet from the	East/West line	County
0	16	23 S	37 E		330	SOUTH	1980	EAST	LEA

Bottom Hole Location if Different From Surface

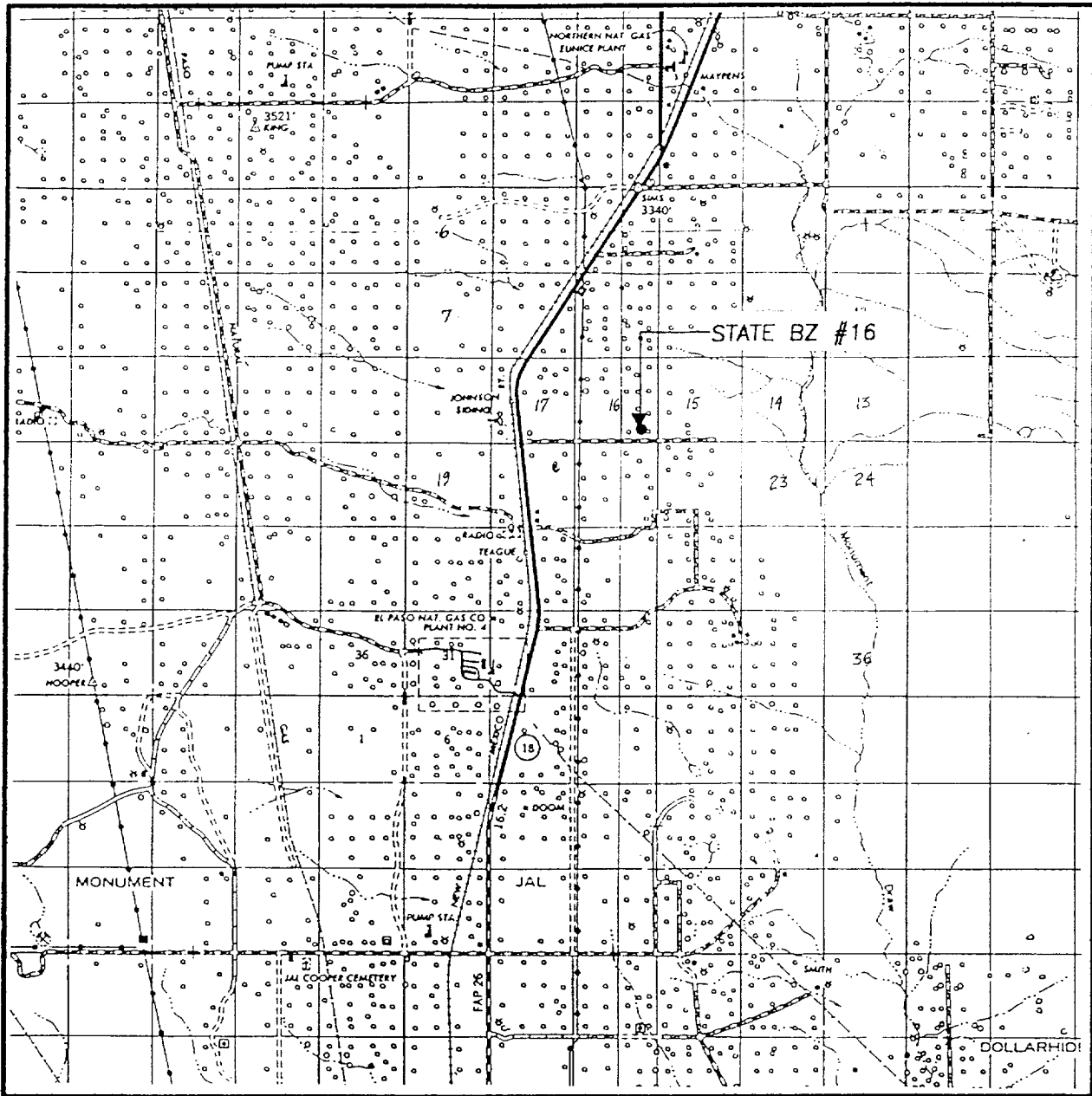
UL or lot No.	Section	Township	Range	Lot Idn	Feet from the	North/South line	Feet from the	East/West line	County

Dedicated Acres	Joint or Infill	Consolidation Code	Order No.
40			

NO ALLOWABLE WILL BE ASSIGNED TO THIS COMPLETION UNTIL ALL INTERESTS HAVE BEEN CONSOLIDATED OR A NON-STANDARD UNIT HAS BEEN APPROVED BY THE DIVISION

	<p><b>OPERATOR CERTIFICATION</b></p> <p><i>I hereby certify that the information contained herein is true and complete to the best of my knowledge and belief.</i></p> <p><u>Everett Ouzts</u> Signature</p> <p>Everett Ouzts Printed Name</p> <p>Eng. Tech. Title</p> <p>11/29/99 Date</p>
	<p><b>SURVEYOR CERTIFICATION</b></p> <p><i>I hereby certify that the well location shown on this plat was plotted from field notes of actual surveys made by me or under my supervision, and that the same is true and correct to the best of my belief.</i></p> <p>NOVEMBER 19, 1999</p> <p>Date Surveyed LMP</p> <p>Signature &amp; Seal of Professional Surveyor</p> <p><u>Ronald J. Edson 11-23-99</u> 99-11-0989</p>
	<p>Certificate No. RONALD J. EDSON 3239 GARY EIDSON 12641 MACON McDONALD 12185</p>

# VICINITY MAP

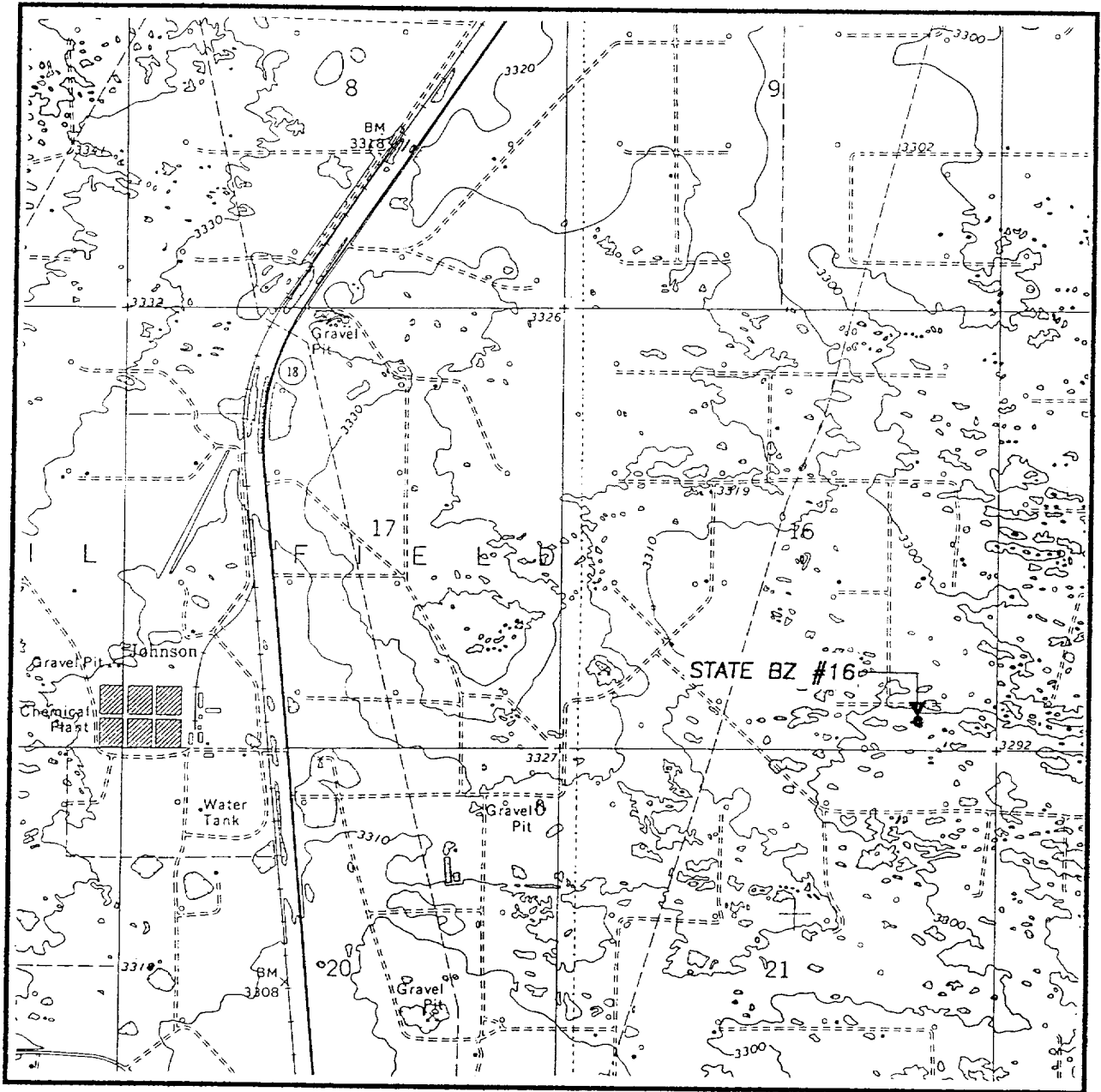


SCALE: 1" = 2 MILES

SEC. 16 TWP. 23-S RGE. 37-E  
 SURVEY N.M.P.M.  
 COUNTY LEA  
 DESCRIPTION 330' FSL & 1980' FEL  
 ELEVATION 3304  
 OPERATOR APACHE CORPORATION  
 LEASE STATE BZ #16

**JOHN WEST SURVEYING**  
**HOBBS, NEW MEXICO**  
**(505) 393-3117**

# LOCATION VERIFICATION MAP



SCALE: 1" = 2000'

CONTOUR INTERVAL:  
RATTLESNAKE CANYON - 10'

SEC. 16 TWP. 23-S RGE. 37-E

SURVEY N.M.P.M.

COUNTY LEA

DESCRIPTION 330' FSL & 1980' FEL

ELEVATION 3304

OPERATOR APACHE CORPORATION

LEASE STATE BZ #16

U.S.G.S. TOPOGRAPHIC MAP  
RATTLESNAKE CANYON, N.M.

**JOHN WEST SURVEYING**  
**HOBBS, NEW MEXICO**  
**(505) 393-3117**

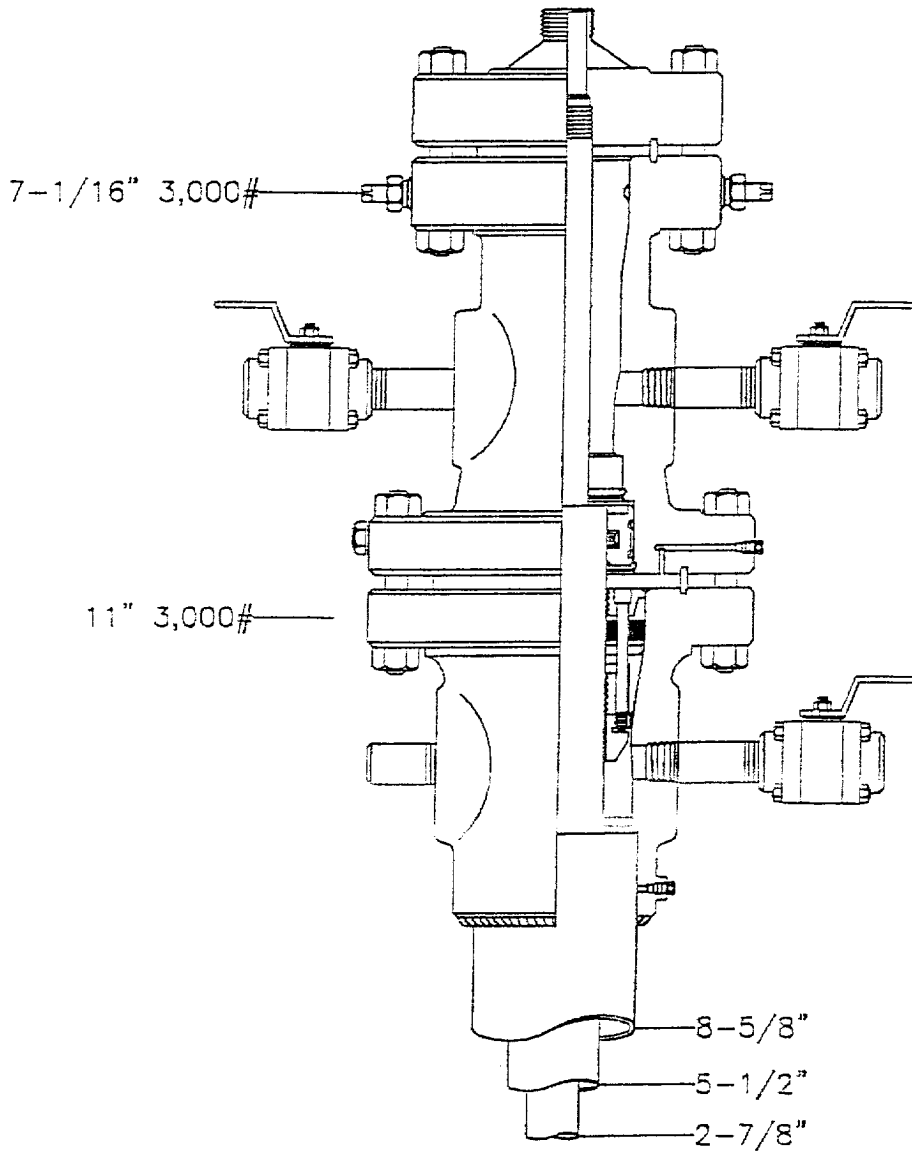
# Apache Corporation

WESTERN REGION

State BZ

Teague; Paddock, Blinebry  
LEA COUNTY, NEW MEXICO

SCALE:	DESIGN BY: Caswell Glend	DATE: 4/22/98
FILE: MECH/PEL/DRG	CHECKED BY:	LAST REVISION:



ABOVE DATE DOES NOT  
INDICATE WHEN  
CONFIDENTIAL LOGS  
WILL BE RELEASED

ELF

*2/1/79*