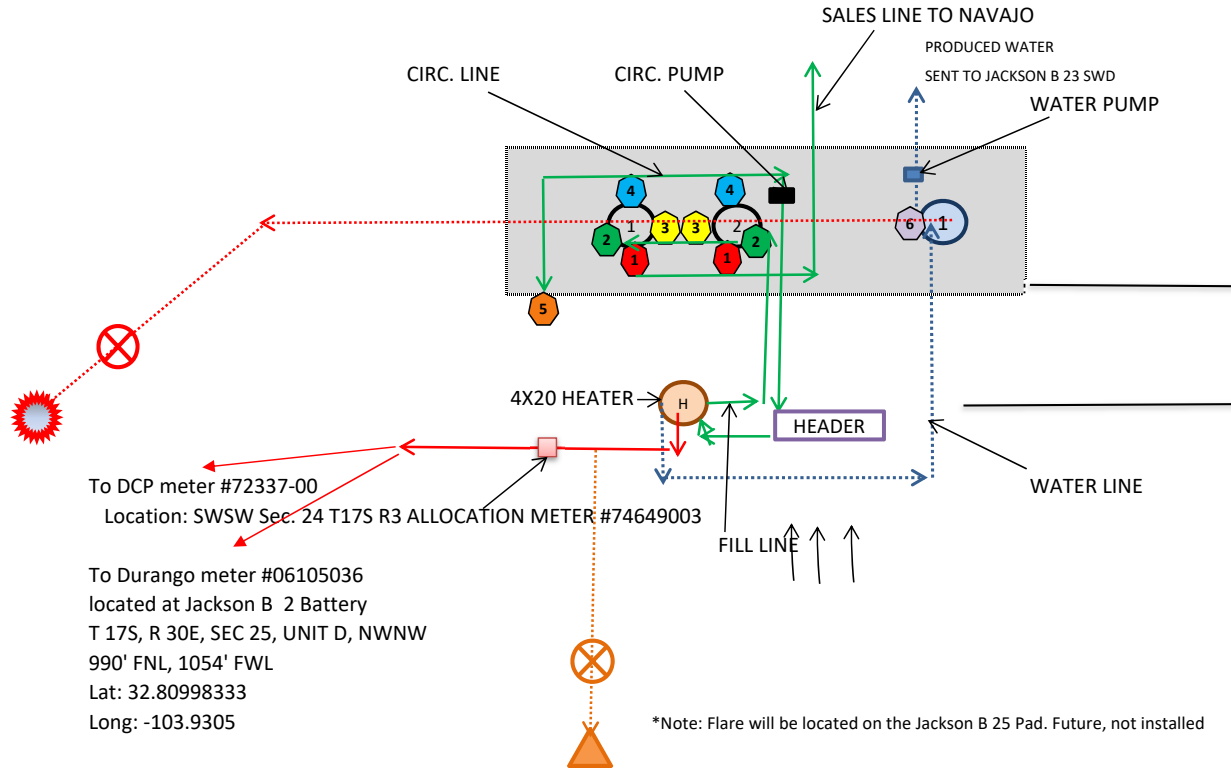


BURNETT OIL CO., INC.
JACKSON B 4 BATTERY
T 17S, R 30E, SEC 24, UNIT I, NESE
APPROX: 1355' FSL, 831' FEL
LEASE: NMNM-2747
API# 30-015-10123
Jackson B 25
Lat: 32.816357
Long: -103.9196

UPDATED: 8/18/2021



Note: Well tests conducted utilizing mobile testing unit.

FMP Meters on battery

*Note: Flare will be located on the Jackson B 25 Pad. Future, not installed

- SITE LEGEND**
- 1 400 BBL STEEL OIL SALES TANK # 35032
 - 2 400 BBL STEEL OIL SALES TANK # 35768

- 1 300 BBL FIBERGLASS WATER TANK

- H HEATER TREATER
- WATER LINE
- OIL LINE
- GAS LINE
- FENCED FIREWALL

VALVE LEGEND

- 1 LOAD LINE VALVE
- 2 FILL LINE VALVE
- 3 EQUALIZER LINE VALVE
- 4 CIRC LINE VALVE
- 5 BS&W LOAD LINE VALVE
- 6 WATER LINE VALVE
- COMBUSTOR GAS METER Meter # FMS 200F-341113
- EMERGENCY FLARE *Future
- COMBUSTOR
- COMBUSTOR LINE
- FLARE GAS METER
- FLARE LINE



District I
 1625 N. French Dr., Hobbs, NM 88240
 Phone:(575) 393-6161 Fax:(575) 393-0720
District II
 811 S. First St., Artesia, NM 88210
 Phone:(575) 748-1283 Fax:(575) 748-9720
District III
 1000 Rio Brazos Rd., Aztec, NM 87410
 Phone:(505) 334-6178 Fax:(505) 334-6170
District IV
 1220 S. St Francis Dr., Santa Fe, NM 87505
 Phone:(505) 476-3470 Fax:(505) 476-3462

State of New Mexico
Energy, Minerals and Natural Resources
Oil Conservation Division
1220 S. St Francis Dr.
Santa Fe, NM 87505

QUESTIONS

Action 74430

QUESTIONS

Operator: BURNETT OIL CO INC 801 Cherry Street Unit #9 Fort Worth, TX 76102	OGRID: 3080
	Action Number: 74430
	Action Type: [UF-FAC] TB Registration (TB-REG)

QUESTIONS

Facility Details	
<i>Please answer all of the questions in this group.</i>	
Name of the facility	Jackson B 4 Tank Battery
Date the facility was opened	08/01/1944
Depth to ground water, if known	Not answered.

Verification	
Does the operator have other facilities with a matching name	No
Are there other facilities located within approximately 50 feet	No

District I
 1625 N. French Dr., Hobbs, NM 88240
 Phone:(575) 393-6161 Fax:(575) 393-0720

District II
 811 S. First St., Artesia, NM 88210
 Phone:(575) 748-1283 Fax:(575) 748-9720

District III
 1000 Rio Brazos Rd., Aztec, NM 87410
 Phone:(505) 334-6178 Fax:(505) 334-6170

District IV
 1220 S. St Francis Dr., Santa Fe, NM 87505
 Phone:(505) 476-3470 Fax:(505) 476-3462

State of New Mexico
Energy, Minerals and Natural Resources
Oil Conservation Division
1220 S. St Francis Dr.
Santa Fe, NM 87505

ACKNOWLEDGMENTS

Action 74430

ACKNOWLEDGMENTS

Operator: BURNETT OIL CO INC 801 Cherry Street Unit #9 Fort Worth, TX 76102	OGRID: 3080
	Action Number: 74430
	Action Type: [UF-FAC] TB Registration (TB-REG)

ACKNOWLEDGMENTS

<input checked="" type="checkbox"/>	I certify that I am authorized to register a facility on behalf of the responsible operator.
<input checked="" type="checkbox"/>	I certify that I will notify OCD of any changes of ownership for this facility.
<input checked="" type="checkbox"/>	I certify that I will notify OCD when this facility is closed.