

**District I**  
1625 N. French Dr., Hobbs, NM 88240  
Phone:(575) 393-6161 Fax:(575) 393-0720

**District II**  
811 S. First St., Artesia, NM 88210  
Phone:(575) 748-1283 Fax:(575) 748-9720

**District III**  
1000 Rio Brazos Rd., Aztec, NM 87410  
Phone:(505) 334-6178 Fax:(505) 334-6170

**District IV**  
1220 S. St Francis Dr., Santa Fe, NM 87505  
Phone:(505) 476-3470 Fax:(505) 476-3462

**State of New Mexico**  
**Energy, Minerals and Natural Resources**  
**Oil Conservation Division**  
**1220 S. St Francis Dr.**  
**Santa Fe, NM 87505**

Form C-101  
August 1, 2011  
Permit 366076

**APPLICATION FOR PERMIT TO DRILL, RE-ENTER, DEEPEN, PLUGBACK, OR ADD A ZONE**

1. Operator Name and Address EOG RESOURCES INC 5509 Champions Drive Midland, TX 79706		2. OGRID Number 7377
		3. API Number 30-015-55105
4. Property Code 325165	5. Property Name QUAIL 2 STATE COM	6. Well No. 753H

**7. Surface Location**

UL - Lot A	Section 2	Township 26S	Range 30E	Lot Idn	Feet From 252	N/S Line N	Feet From 930	E/W Line E	County Eddy
---------------	--------------	-----------------	--------------	---------	------------------	---------------	------------------	---------------	----------------

**8. Proposed Bottom Hole Location**

UL - Lot P	Section 2	Township 26S	Range 30E	Lot Idn P	Feet From 230	N/S Line S	Feet From 640	E/W Line E	County Eddy
---------------	--------------	-----------------	--------------	--------------	------------------	---------------	------------------	---------------	----------------

**9. Pool Information**

PURPLE SAGE;WOLFCAMP (GAS)	98220
----------------------------	-------

**Additional Well Information**

11. Work Type New Well	12. Well Type GAS	13. Cable/Rotary	14. Lease Type State	15. Ground Level Elevation 3237
16. Multiple N	17. Proposed Depth 16676	18. Formation Wolfcamp	19. Contractor	20. Spud Date 6/18/2024
Depth to Ground water		Distance from nearest fresh water well		Distance to nearest surface water

We will be using a closed-loop system in lieu of lined pits

**21. Proposed Casing and Cement Program**

Type	Hole Size	Casing Size	Casing Weight/ft	Setting Depth	Sacks of Cement	Estimated TOC
Surf	12.25	9.625	36	1180	410	0
Int1	8.75	7.625	29.7	10021	1500	0
Prod	6.75	5.5	17	16676	640	9510

**Casing/Cement Program: Additional Comments**

EOG respectfully requests the option to use the casing and cement program described in Design A of the drill plan. We plan to do a Bradenhead squeeze on both plans. The NMOCD will be notified of EOG's election at spud.

**22. Proposed Blowout Prevention Program**

Type	Working Pressure	Test Pressure	Manufacturer
Double Ram	5000	3000	

23. I hereby certify that the information given above is true and complete to the best of my knowledge and belief. <b>I further certify I have complied with 19.15.14.9 (A) NMAC <input checked="" type="checkbox"/> and/or 19.15.14.9 (B) NMAC <input checked="" type="checkbox"/> if applicable.</b>	<b>OIL CONSERVATION DIVISION</b>
Signature:	
Printed Name: Electronically filed by Kay Maddox	Approved By: Ward Rikala
Title: Senior Regulatory Specialist	Title:
Email Address: kay_maddox@eogresources.com	Approved Date: 6/3/2024
Date: 5/22/2024	Phone: 432-638-8475
	Expiration Date: 6/3/2026
	Conditions of Approval Attached

DISTRICT I  
1625 N. French Dr., Hobbs, NM 88240  
Phone: (575) 393-6161 Fax: (575) 393-0720  
DISTRICT II  
811 S. First St., Artesia, NM 88210  
Phone: (575) 748-1283 Fax: (575) 748-9720  
DISTRICT III  
1000 Rio Brazos Rd., Aztec, NM 87410  
Phone: (505) 334-6178 Fax: (505) 334-6170  
DISTRICT IV  
1220 S. St. Francis Dr., Santa Fe, NM 87505  
Phone: (505) 476-3460 Fax: (505) 476-3462

State of New Mexico  
Energy, Minerals & Natural Resources Department  
OIL CONSERVATION DIVISION  
1220 South St. Francis Dr.  
Santa Fe, New Mexico 87505

Form C-102  
Revised August 1, 2011  
Submit one copy to appropriate  
District Office  
 AMENDED REPORT

WELL LOCATION AND ACREAGE DEDICATION PLAT

API Number <del>30-025</del> 30-015-55105	Pool Code 98220	Pool Name Purple Sage; Wolfcamp (Gas)
Property Code 325165	Property Name QUAIL 2 STATE COM	Well Number 753H
OGRID No. 7377	Operator Name EOG RESOURCES, INC.	Elevation 3237'

Surface Location

UL or lot no.	Section	Township	Range	Lot Idn	Feet from the	North/South line	Feet from the	East/West line	County
A	2	26-S	30-E	-	252'	NORTH	930'	EAST	EDDY

Bottom Hole Location If Different From Surface

UL or lot no.	Section	Township	Range	Lot Idn	Feet from the	North/South line	Feet from the	East/West line	County
P	2	26-S	30-E	-	230'	SOUTH	640'	EAST	EDDY

Dedicated Acres 640.00	Joint or Infill	Consolidated Code	Order No. COM AGREEMENT #204124
---------------------------	-----------------	-------------------	------------------------------------

No allowable will be assigned to this completion until all interests have been consolidated or a non-standard unit has been approved by the division.

<p><b>SURFACE LOCATION (SHL)</b> NEW MEXICO EAST NAD 1983 X=692168 Y=392652 LAT.: N 32.0785451 LONG.: W 103.8463501 NAD 1927 X=650983 Y=392595 LAT.: N 32.0784205 LONG.: W 103.8458714 252' FNL 930' FEL</p> <p><b>KICK OFF POINT (KOP)</b> NEW MEXICO EAST NAD 1983 X=692457 Y=392856 LAT.: N 32.0791018 LONG.: W 103.8454161 NAD 1927 X=651271 Y=392798 LAT.: N 32.0789772 LONG.: W 103.8449373 50' FNL 640' FEL</p> <p><b>UPPER MOST PERF. (UMP)</b> NEW MEXICO EAST NAD 1983 X=692458 Y=392576 LAT.: N 32.0783321 LONG.: W 103.8454148 NAD 1927 X=651273 Y=392518 LAT.: N 32.0782075 LONG.: W 103.8449361 330' FNL 640' FEL</p>		<p><b>LOWER MOST PERF. (LMP)</b> NEW MEXICO EAST NAD 1983 X=692486 Y=387913 LAT.: N 32.0655138 LONG.: W 103.8453935 NAD 1927 X=651300 Y=387856 LAT.: N 32.0653890 LONG.: W 103.8449153 330' FSL 640' FEL</p> <p><b>BOTTOM HOLE LOCATION (BHL)</b> NEW MEXICO EAST NAD 1983 X=692487 Y=387813 LAT.: N 32.0652389 LONG.: W 103.8453930 NAD 1927 X=651301 Y=387756 LAT.: N 32.0651141 LONG.: W 103.8449149 230' FSL 640' FEL</p>
<p><b>OPERATOR CERTIFICATION</b> I hereby certify that the information contained herein is true and complete to the best of my knowledge and belief, and that this organization either owns a working interest or unleased mineral interest in the land including the proposed bottom hole location or has a right to drill this well at this location pursuant to a contract with an owner of such a mineral or working interest, or to voluntary pooling agreement or a compulsory pooling order heretofore entered by the division.</p> <p><u>Star L Harrell</u> 5/22/24 Signature Date</p> <p>Star L Harrell Print Name</p> <p>star_harrell@eogresources.com E-mail Address</p>		<p><b>SURVEYORS CERTIFICATION</b> I hereby certify that the well location shown on this plat was plotted from field notes of actual surveys made by me or under my supervision, and that the same is true and correct to the best of my belief. 05/07/2024 Date of Survey Signature and Seal of Professional Surveyor:</p> <p></p> <p>5/17/2024 9:58:03 AM</p>

**District I**  
1625 N. French Dr., Hobbs, NM 88240  
Phone:(575) 393-6161 Fax:(575) 393-0720

**District II**  
811 S. First St., Artesia, NM 88210  
Phone:(575) 748-1283 Fax:(575) 748-9720

**District III**  
1000 Rio Brazos Rd., Aztec, NM 87410  
Phone:(505) 334-6178 Fax:(505) 334-6170

**District IV**  
1220 S. St Francis Dr., Santa Fe, NM 87505  
Phone:(505) 476-3470 Fax:(505) 476-3462

**State of New Mexico**  
**Energy, Minerals and Natural Resources**  
**Oil Conservation Division**  
**1220 S. St Francis Dr.**  
**Santa Fe, NM 87505**

**GAS CAPTURE PLAN**

Date: 6/3/2024

Original Operator & OGRID No.: [7377] EOG RESOURCES INC

Amended - Reason for Amendment: \_\_\_\_\_

This Gas Capture Plan outlines actions to be taken by the Operator to reduce well/production facility flaring/venting for new completion (new drill, recomplete to new zone, re-frac) activity.

*Note: Form C-129 must be submitted and approved prior to exceeding 60 days allowed by Rule (Subsection A of 19.15.18.12 NMAC).*

**Well(s)/Production Facility – Name of facility**

The well(s) that will be located at the production facility are shown in the table below.

Well Name	API	Well Location (ULSTR)	Footages	Expected MCF/D	Flared or Vented	Comments
QUAIL 2 STATE COM #753H	30-015-55105	A-2-26S-30E	0252N 0930E	12	None	CTB already exist to EOG low pressure gathering system. MMCF/D is +/- . EOG Resources, Inc. to Ross Draw Compressor Station

**Gathering System and Pipeline Notification**

Well(s) will be connected to a production facility after flowback operations are complete, if gas transporter system is in place. The gas produced from production facility is dedicated to EOG RESOURCES INC and will be connected to EOG RESOURCES INC Low Pressure gathering system located in Lea County, New Mexico. It will require 0' of pipeline to connect the facility to Low Pressure gathering system. EOG RESOURCES INC provides (periodically) to EOG RESOURCES INC a drilling, completion and estimated first production date for wells that are scheduled to be drilled in the foreseeable future. In addition, EOG RESOURCES INC and EOG RESOURCES INC have periodic conference calls to discuss changes to drilling and completion schedules. Gas from these wells will be processed at EOG RESOURCES INC Processing Plant located in Sec. 13, Twn. 24S, Rng. 33E, Lea County, New Mexico. The actual flow of the gas will be based on compression operating parameters and gathering system pressures.

**Flowback Strategy**

After the fracture treatment/completion operations, well(s) will be produced to temporary production tanks and gas will be flared or vented. During flowback, the fluids and sand content will be monitored. When the produced fluids contain minimal sand, the wells will be turned to production facilities. Gas sales should start as soon as the wells start flowing through the production facilities, unless there are operational issues on EOG RESOURCES INC system at that time. Based on current information, it is EOG RESOURCES INC's belief the system can take this gas upon completion of the well(s).

Safety requirements during cleanout operations from the use of underbalanced air cleanout systems may necessitate that sand and non-pipeline quality gas be vented and/or flared rather than sold on a temporary basis.

**Alternatives to Reduce Flaring**

Below are alternatives considered from a conceptual standpoint to reduce the amount of gas flared.

- Power Generation – On lease
  - Only a portion of gas is consumed operating the generator, remainder of gas will be flared
- Compressed Natural Gas – On lease
  - Gas flared would be minimal, but might be uneconomical to operate when gas volume declines
- NGL Removal – On lease
  - Plants are expensive, residue gas is still flared, and uneconomical to operate when gas volume declines

**District I**  
 1625 N. French Dr., Hobbs, NM 88240  
 Phone:(575) 393-6161 Fax:(575) 393-0720  
**District II**  
 811 S. First St., Artesia, NM 88210  
 Phone:(575) 748-1283 Fax:(575) 748-9720  
**District III**  
 1000 Rio Brazos Rd., Aztec, NM 87410  
 Phone:(505) 334-6178 Fax:(505) 334-6170  
**District IV**  
 1220 S. St Francis Dr., Santa Fe, NM 87505  
 Phone:(505) 476-3470 Fax:(505) 476-3462

**State of New Mexico**  
**Energy, Minerals and Natural Resources**  
**Oil Conservation Division**  
**1220 S. St Francis Dr.**  
**Santa Fe, NM 87505**

Form APD Conditions  
 Permit 366076

**PERMIT CONDITIONS OF APPROVAL**

Operator Name and Address: EOG RESOURCES INC [7377] 5509 Champions Drive Midland, TX 79706	API Number: 30-015-55105
	Well: QUAIL 2 STATE COM #753H

OCD Reviewer	Condition
ward.rikala	Notify OCD 24 hours prior to casing & cement
ward.rikala	Will require a File As Drilled C-102 and a Directional Survey with the C-104
ward.rikala	Once the well is spud, to prevent ground water contamination through whole or partial conduits from the surface, the operator shall drill without interruption through the fresh water zone or zones and shall immediately set in cement the water protection string
ward.rikala	Cement is required to circulate on both surface and intermediate1 strings of casing
ward.rikala	If cement does not circulate on any string, a CBL is required for that string of casing
ward.rikala	Oil base muds are not to be used until fresh water zones are cased and cemented providing isolation from the oil or diesel. This includes synthetic oils. Oil based mud, drilling fluids and solids must be contained in a steel closed loop system
ward.rikala	The Operator is to notify NMOCD by sundry (Form C-103) within ten (10) days of the well being spud



**EOG Batch Casing**

**Pad Name:** Quail 2 State Com DEEP

SHL: Section 2, Township 26-S, Range 30-E, Eddy County, NM

Well Name	API #	Surface		Intermediate		Production	
		MD	TVD	MD	TVD	MD	TVD
Quail 2 State Com #741H	30-025-*****	1,180	1,180	10,060	10,007	16,600	11,710
Quail 2 State Com #751H	30-025-*****	1,180	1,180	10,374	10,007	16,962	11,823
Quail 2 State Com #753H	30-025-*****	1,180	1,180	10,021	10,007	16,676	11,823
Quail 2 State Com #761H	30-025-*****	1,180	1,180	10,169	10,007	17,086	12,101



## EOG Batch Casing

### Variations

EOG requests the additional variance(s) in the attached document(s):

- EOG BLM Variance 3a\_b - BOP Break-test and Offline Intermediate Cement
- EOG BLM Variance 2a - Intermediate Bradenhead Cement



## EOG Batch Casing

**GEOLOGIC NAME OF SURFACE FORMATION:**

Permian

**ESTIMATED TOPS OF IMPORTANT GEOLOGICAL MARKERS:**

Rustler	1,065'
Tamarisk Anhydrite	1,150'
Top of Salt	1,434'
Base of Salt	3,678'
Lamar	3,835'
Bell Canyon	3,889'
Cherry Canyon	4,773'
Brushy Canyon	6,054'
Bone Spring Lime	7,720'
Leonard (Avalon) Shale	7,810'
1st Bone Spring Sand	8,668'
2nd Bone Spring Shale	9,004'
2nd Bone Spring Sand	9,290'
3rd Bone Spring Carb	9,907'
3rd Bone Spring Sand	10,576'
Wolfcamp	10,995'

**ESTIMATED DEPTHS OF ANTICIPATED FRESH WATER, OIL OR GAS:**

Upper Permian Sands	0- 400'	Fresh Water
Bell Canyon	3,889'	Oil
Cherry Canyon	4,773'	Oil
Brushy Canyon	6,054'	Oil
Leonard (Avalon) Shale	7,810'	Oil
1st Bone Spring Sand	8,668'	Oil
2nd Bone Spring Shale	9,004'	Oil
2nd Bone Spring Sand	9,290'	Oil

NO OTHER FORMATIONS ARE EXPECTED TO GIVE UP OIL, GAS OR FRESH WATER IN MEASURABLE QUANTITIES. SURFACE FRESH WATER SANDS WILL BE PROTECTED BY SETTING SURFACE CASING AT 1,180' AND CIRCULATING CEMENT BACK TO SURFACE.

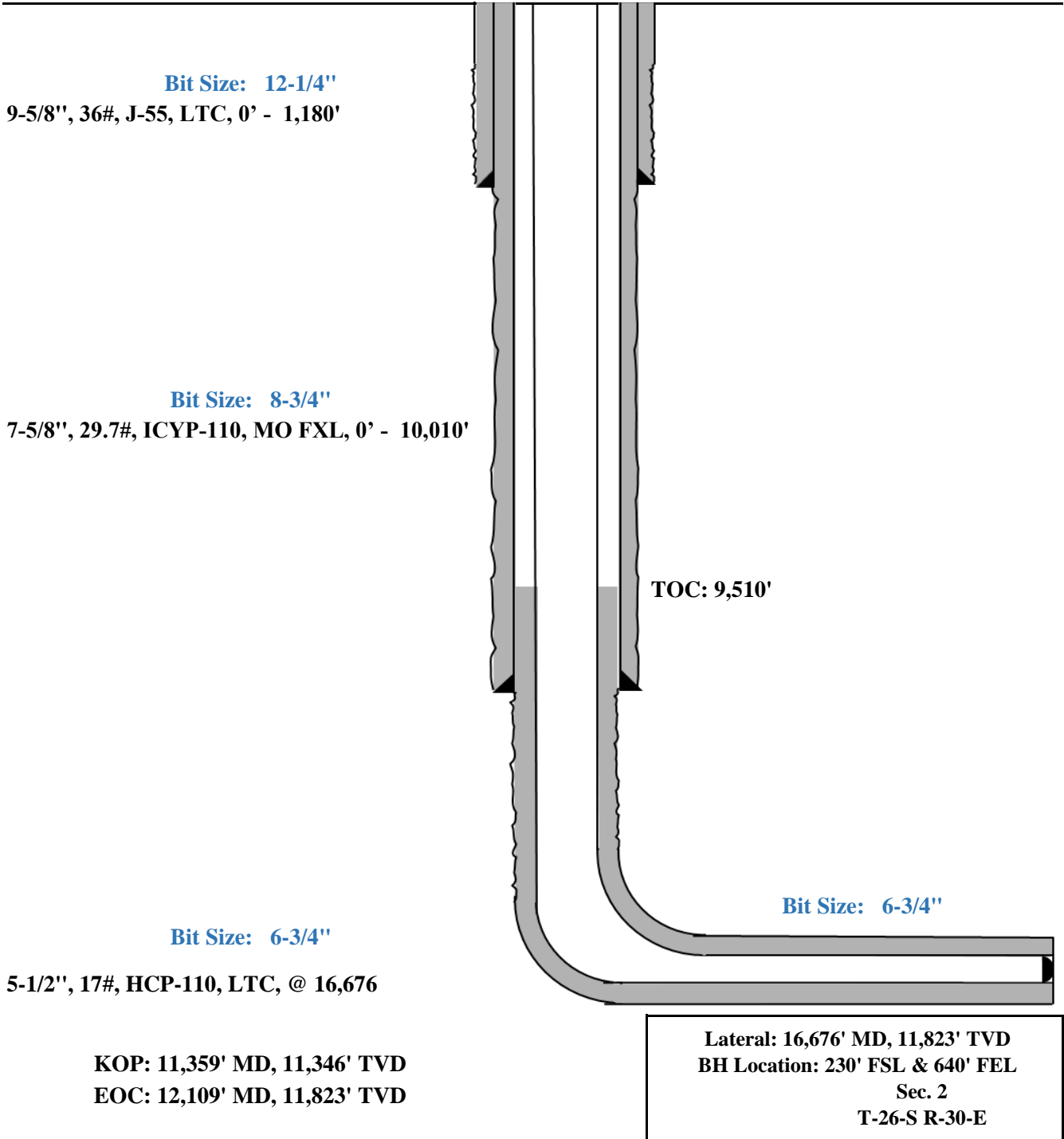


Quail 2 State Com #753H  
Eddy County, New Mexico  
Proposed Wellbore  
Design A

KB: 3262'  
GL: 3237'

252' FNL  
930' FEL  
Section 2  
T-26-S, R-30-E

API: 30-025-\*\*\*\*\*







Quail 2 State Com #753H  
Eddy County, New Mexico  
Proposed Wellbore  
Design B

KB: 3262'  
GL: 3237'

252' FNL  
930' FEL  
Section 2  
T-26-S, R-30-E

API: 30-025-\*\*\*\*\*

Bit Size: 13"  
10-3/4", 40.5#, J-55, STC,  
0' - 1,180'

Bit Size: 9-7/8"  
7-5/8", 29.7#, ICYP-110, MO FXL  
@ 0' - 10,010'

Bit Size: 7-7/8"  
6", 24.5#, P110-EC, VAM Sprint-SF,  
@ 0' - 16,676'

TOC: 9,510'

Bit Size: 7-7/8"

KOP: 11,359' MD, 11,346' TVD  
EOC: 12,109' MD, 11,823' TVD

Lateral: 16,676' MD, 11,823' TVD  
BH Location: 230' FSL & 640' FEL  
Sec. 2  
T-26-S R-30-E



## Quail 2 State Com #753H

### Permit Information:

Well Name: Quail 2 State Com #753H

### Location:

SHL: 252' FNL & 930' FEL, Section 2, T-26-S, R-30-E, Eddy Co., N.M.

BHL: 230' FSL & 640' FEL, Section 2, T-26-S, R-30-E, Eddy Co., N.M.

### Design A

### Casing Program:

Hole Size	Interval MD		Interval TVD		Csg OD	Weight	Grade	Conn
	From (ft)	To (ft)	From (ft)	To (ft)				
12-1/4"	0	1,180	0	1,180	9-5/8"	36#	J-55	LTC
8-3/4"	0	10,021	0	10,007	7-5/8"	29.7#	ICYP-110	MO FXL
6-3/4"	0	16,676	0	11,823	5-1/2"	17#	HCP-110	LTC

### Cement Program:

Depth	No. Sacks	Wt. ppg	Yld Ft3/sk	Slurry Description
1,180'	330	13.5	1.73	Class C + 4.0% Bentonite + 0.6% CD-32 + 0.5% CaCl <sub>2</sub> + 0.25 lb/sk Cello-Flake (TOC @ Surface)
	80	14.8	1.34	Class C + 0.6% FL-62 + 0.25 lb/sk Cello-Flake + 0.2% Sodium Metasilicate
10,010'	490	14.2	1.11	1st Stage (Tail): Class C + 5% Salt (TOC @ 5,854')
	1010	14.8	1.5	2nd Stage (Bradenhead squeeze): Class C + 3% Salt + 1% PreMag-M + 6% Bentonite Gel (TOC @ surface)
16,676'	640	13.2	1.31	Class H + 0.1% C-20 + 0.05% CSA-1000 + 0.20% C-49 + 0.40% C-17 (TOC @ 9,510')

### Mud Program:

Depth	Type	Weight (ppg)	Viscosity	Water Loss
0 – 1,180'	Fresh - Gel	8.6-8.8	28-34	N/c
1,180' – 10,010'	Brine	10.0-10.2	28-34	N/c
10,010' – 11,359'	Oil Base	8.7-9.4	58-68	N/c - 6
11,359' – 16,676' Lateral	Oil Base	10.0-14.0	58-68	4 - 6



## Quail 2 State Com #753H

**Design B****CASING PROGRAM**

Hole Size	Interval MD		Interval TVD		Csg OD	Weight	Grade	Conn
	From (ft)	To (ft)	From (ft)	To (ft)				
13"	0	1,180	0	1,180	10-3/4"	40.5#	J-55	STC
9-7/8"	0	10,021	0	10,007	8-3/4"	38.5#	P110-EC	SLIJ II NA
7-7/8"	0	16,676	0	11,823	6"	24.5#	P110-EC	VAM Sprint-SF

**Cementing Program:**

Depth	No. Sacks	Wt. ppg	Yld Ft3/sk	Slurry Description
1,180' 10-3/4"	300	13.5	1.73	Lead: Class C + 4.0% Bentonite Gel + 0.5% CaCl <sub>2</sub> + 0.25 lb/sk Cello-Flake (TOC @ Surface)
	70	14.8	1.34	Tail: Class C + 0.6% FL-62 + 0.25 lb/sk Cello-Flake + 0.2% Sodium Metasilicate (TOC @ 980')
10,007' 8-3/4"	550	14.2	1.11	1st Stage (Tail): Class C + 0.6% Halad-9 + 0.45% HR-601 + 3% Microbond (TOC @ 5,850')
	1140	14.8	1.5	2nd Stage (Bradenhead squeeze): Class C + 3% Salt + 1% PreMag-M + 6% Bentonite Gel (TOC @ surface)
16,676' 6"	1020	13.2	1.31	Lead: Class H + 0.4% Halad-344 + 0.35% HR-601 + 3% Microbond (TOC @ 9,507')

EOG requests variance from minimum standards to pump a two stage cement job on the 8-3/4" intermediate casing string with the first stage being pumped conventionally with the calculated top of cement at the Brushy Canyon (6,054') and the second stage performed as a 1000 sack bradenhead squeeze with planned cement from the Brushy Canyon to surface. If necessary, a top out consisting of 140 sacks of Class C cement + 3% Salt + 1% PreMag-M + 6% Bentonite Gel (2.30 yld, 12.91 ppg) will be executed as a contingency.

**Mud Program:**

Depth	Type	Weight (ppg)	Viscosity	Water Loss
0 – 1,180'	Fresh - Gel	8.6-8.8	28-34	N/c
1,180' – 3,780'	Brine	10.0-10.2	28-34	N/c
3,780' – 10,010'	Oil Base	8.7-9.4	58-68	N/c - 6
10,010' – 16,676' Lateral	Oil Base	10.0-14.0	58-68	4 - 6



## Quail 2 State Com 753H

### TUBING REQUIREMENTS

EOG respectfully requests an exception to the following NMOCD rule:

- 19.15.16.10 Casing AND TUBING REQUIREMENTS:  
J (3): “The operator shall set tubing as near the bottom as practical and tubing perforations shall not be more than 250 feet above top of pay zone.”

With horizontal flowing and gas lifted wells an end of tubing depth placed at or slightly above KOP is a conservative way to ensure the tubing stays clean from debris, plugging, and allows for fewer well interventions post offset completion. The deeper the tubulars are run into the curve, the higher the probability is that the tubing will become stuck in sand and or well debris as the well produces over time. An additional consideration for EOT placement during artificial lift installations is avoiding the high dog leg severity and inclinations found in the curve section of the wellbore to help improve reliability and performance. Dog leg severity and inclinations tend not to hamper gas lifted or flowing wells, but they do effect other forms of artificial lift like rod pump or ESP (electric submersible pump). Keeping the EOT above KOP is an industry best practice for those respective forms of artificial lift.



## Quail 2 State Com #753H

### Hydrogen Sulfide Plan Summary

A. All personnel shall receive proper H<sub>2</sub>S training in accordance with Onshore Order III.C.3.a.

B. Briefing Area: two perpendicular areas will be designated by signs and readily accessible.

C. Required Emergency Equipment:

■ Well control equipment

- a. Flare line 150' from wellhead to be ignited by flare gun.
- b. Choke manifold with a remotely operated choke.
- c. Mud/gas separator

■ Protective equipment for essential personnel.

Breathing apparatus:

- a. Rescue Packs (SCBA) — 1 unit shall be placed at each breathing area, 2 shall be stored in the safety trailer.
- b. Work/Escapes packs — 4 packs shall be stored on the rig floor with sufficient air hose not to restrict work activity.
- c. Emergency Escape Packs — 4 packs shall be stored in the doghouse for emergency evacuation.

Auxiliary Rescue Equipment:

- a. Stretcher
- b. Two OSHA full body harness
- c. 100 ft 5/8 inch OSHA approved rope
- d. 1-20# class ABC fire extinguisher

■ H<sub>2</sub>S detection and monitoring equipment:

The stationary detector with three sensors will be placed in the upper dog house if equipped, set to visually alarm @ 10 ppm and audible @ 14 ppm. Calibrate a minimum of every 30 days or as needed. The sensors will be placed in the following places: Rig floor / Bell nipple / End of flow line or where well bore fluid is being discharged.

(Gas sample tubes will be stored in the safety trailer)

■ Visual warning systems.

- a. One color code condition sign will be placed at the entrance to the site reflecting the possible conditions at the site.
- b. A colored condition flag will be on display, reflecting the current condition at the site at the time.
- c. Two wind socks will be placed in strategic locations, visible from all angles.



## Quail 2 State Com #753H

- **Mud program:**

The mud program has been designed to minimize the volume of H<sub>2</sub>S circulated to surface. The operator will have the necessary mud products to minimize hazards while drilling in H<sub>2</sub>S bearing zones.
  
- **Metallurgy:**

All drill strings, casings, tubing, wellhead, blowout preventer, drilling spool, kill lines, choke manifold and lines, and valves shall be suitable for H<sub>2</sub>S service.
  
- **Communication:**

Communication will be via cell phones and land lines where available.



**Quail 2 State Com #753H**  
**Emergency Assistance Telephone List**

**PUBLIC SAFETY:** **911 or**

Lea County Sheriff's Department		(575) 396-3611
Rod Coffman		
Fire Department:		
Carlsbad		(575) 885-3125
Artesia		(575) 746-5050
Hospitals:		
Carlsbad		(575) 887-4121
Artesia		(575) 748-3333
Hobbs		(575) 392-1979
Dept. of Public Safety/Carlsbad		(575) 748-9718
Highway Department		(575) 885-3281
New Mexico Oil Conservation		(575) 476-3440
NMOCD Inspection Group - South		(575) 626-0830
U.S. Dept. of Labor		(575) 887-1174

**EOG Resources, Inc.**

EOG / Midland	Office	(432) 686-3600
---------------	--------	----------------

**Company Drilling Consultants:**

David Dominique	Cell	(985) 518-5839
Mike Vann	Cell	(817) 980-5507

**Drilling Engineer**

Stephen Davis	Cell	(432) 235-9789
Matt Day	Cell	(432) 296-4456

**Drilling Manager**

Branden Keener	Office	(432) 686-3752
	Cell	(210) 294-3729

**Drilling Superintendent**

Ryan Reynolds	Cell	(432) 215-5978
Steve Kelly	Cell	(210) 416-7894

**H&P Drilling**

H&P Drilling	Office	(432) 563-5757
H&P 651 Drilling Rig	Rig	(903) 509-7131

**Tool Pusher:**

Johnathan Craig	Cell	(817) 760-6374
Brad Garrett		

**Safety:**

Brian Chandler (HSE Manager)	Office	(432) 686-3695
	Cell	(817) 239-0251



## **Midland**

**Eddy County, NM (NAD 83 NME)**

**Quail 2 State Com**

**#753H**

**OH**

**Plan: Plan #0.1 RT**

## **Standard Planning Report**

**22 May, 2024**





Planning Report

<b>Database:</b>	PEDMB	<b>Local Co-ordinate Reference:</b>	Well #753H
<b>Company:</b>	Midland	<b>TVD Reference:</b>	kb = 26' @ 3263.0usft
<b>Project:</b>	Eddy County, NM (NAD 83 NME)	<b>MD Reference:</b>	kb = 26' @ 3263.0usft
<b>Site:</b>	Quail 2 State Com	<b>North Reference:</b>	Grid
<b>Well:</b>	#753H	<b>Survey Calculation Method:</b>	Minimum Curvature
<b>Wellbore:</b>	OH		
<b>Design:</b>	Plan #0.1 RT		

<b>Project</b>	Eddy County, NM (NAD 83 NME)		
<b>Map System:</b>	US State Plane 1983	<b>System Datum:</b>	Mean Sea Level
<b>Geo Datum:</b>	North American Datum 1983		
<b>Map Zone:</b>	New Mexico Eastern Zone		Using geodetic scale factor

<b>Site</b>	Quail 2 State Com				
<b>Site Position:</b>		<b>Northing:</b>	392,709.00 usft	<b>Latitude:</b>	32° 4' 43.295 N
<b>From:</b>	Map	<b>Easting:</b>	692,792.00 usft	<b>Longitude:</b>	103° 50' 39.610 W
<b>Position Uncertainty:</b>	0.0 usft	<b>Slot Radius:</b>	13-3/16 "		

<b>Well</b>	#753H					
<b>Well Position</b>	<b>+N/-S</b>	0.0 usft	<b>Northing:</b>	392,652.00 usft	<b>Latitude:</b>	32° 4' 42.759 N
	<b>+E/-W</b>	0.0 usft	<b>Easting:</b>	692,168.00 usft	<b>Longitude:</b>	103° 50' 46.866 W
<b>Position Uncertainty</b>		0.0 usft	<b>Wellhead Elevation:</b>	usft	<b>Ground Level:</b>	3,237.0 usft
<b>Grid Convergence:</b>		0.26 °				

<b>Wellbore</b>	OH				
<b>Magnetics</b>	<b>Model Name</b>	<b>Sample Date</b>	<b>Declination (°)</b>	<b>Dip Angle (°)</b>	<b>Field Strength (nT)</b>
	IGRF2020	5/22/2024	6.32	59.63	47,075.91173772

<b>Design</b>	Plan #0.1 RT			
<b>Audit Notes:</b>				
<b>Version:</b>	<b>Phase:</b>	PLAN	<b>Tie On Depth:</b>	0.0
<b>Vertical Section:</b>	<b>Depth From (TVD) (usft)</b>	<b>+N/-S (usft)</b>	<b>+E/-W (usft)</b>	<b>Direction (°)</b>
	0.0	0.0	0.0	176.23

<b>Plan Survey Tool Program</b>	<b>Date</b>	5/22/2024		
<b>Depth From (usft)</b>	<b>Depth To (usft)</b>	<b>Survey (Wellbore)</b>	<b>Tool Name</b>	<b>Remarks</b>
1	0.0	16,675.7 Plan #0.1 RT (OH)	EOG MWD+IFR1 MWD + IFR1	



Planning Report

<b>Database:</b>	PEDMB	<b>Local Co-ordinate Reference:</b>	Well #753H
<b>Company:</b>	Midland	<b>TVD Reference:</b>	kb = 26' @ 3263.0usft
<b>Project:</b>	Eddy County, NM (NAD 83 NME)	<b>MD Reference:</b>	kb = 26' @ 3263.0usft
<b>Site:</b>	Quail 2 State Com	<b>North Reference:</b>	Grid
<b>Well:</b>	#753H	<b>Survey Calculation Method:</b>	Minimum Curvature
<b>Wellbore:</b>	OH		
<b>Design:</b>	Plan #0.1 RT		

Plan Sections										
Measured Depth (usft)	Inclination (°)	Azimuth (°)	Vertical Depth (usft)	+N/-S (usft)	+E/-W (usft)	Dogleg Rate (°/100usft)	Build Rate (°/100usft)	Turn Rate (°/100usft)	TFO (°)	Target
0.0	0.00	0.00	0.0	0.0	0.0	0.00	0.00	0.00	0.00	
1,300.0	0.00	0.00	1,300.0	0.0	0.0	0.00	0.00	0.00	0.00	
1,523.3	4.47	54.78	1,523.1	5.0	7.1	2.00	2.00	0.00	54.78	
5,844.3	4.47	54.78	5,830.9	199.0	282.0	0.00	0.00	0.00	0.00	
6,067.6	0.00	0.00	6,054.0	204.1	289.1	2.00	-2.00	0.00	180.00	
11,359.1	0.00	0.00	11,345.5	204.1	289.1	0.00	0.00	0.00	0.00	KOP(Quail 2 State Cc
11,905.5	65.59	179.80	11,780.2	-76.0	290.1	12.00	12.00	32.90	179.80	FTP(Quail 2 State Co
12,109.0	90.00	179.65	11,822.9	-273.3	291.1	12.00	12.00	-0.07	-0.36	
16,675.7	90.00	179.65	11,823.0	-4,840.0	319.1	0.00	0.00	0.00	0.00	PBHL(Quail 2 State C



Planning Report

<b>Database:</b>	PEDMB	<b>Local Co-ordinate Reference:</b>	Well #753H
<b>Company:</b>	Midland	<b>TVD Reference:</b>	kb = 26' @ 3263.0usft
<b>Project:</b>	Eddy County, NM (NAD 83 NME)	<b>MD Reference:</b>	kb = 26' @ 3263.0usft
<b>Site:</b>	Quail 2 State Com	<b>North Reference:</b>	Grid
<b>Well:</b>	#753H	<b>Survey Calculation Method:</b>	Minimum Curvature
<b>Wellbore:</b>	OH		
<b>Design:</b>	Plan #0.1 RT		

Planned Survey									
Measured Depth (usft)	Inclination (°)	Azimuth (°)	Vertical Depth (usft)	+N/-S (usft)	+E/-W (usft)	Vertical Section (usft)	Dogleg Rate (°/100usft)	Build Rate (°/100usft)	Turn Rate (°/100usft)
0.0	0.00	0.00	0.0	0.0	0.0	0.0	0.00	0.00	0.00
100.0	0.00	0.00	100.0	0.0	0.0	0.0	0.00	0.00	0.00
200.0	0.00	0.00	200.0	0.0	0.0	0.0	0.00	0.00	0.00
300.0	0.00	0.00	300.0	0.0	0.0	0.0	0.00	0.00	0.00
400.0	0.00	0.00	400.0	0.0	0.0	0.0	0.00	0.00	0.00
500.0	0.00	0.00	500.0	0.0	0.0	0.0	0.00	0.00	0.00
600.0	0.00	0.00	600.0	0.0	0.0	0.0	0.00	0.00	0.00
700.0	0.00	0.00	700.0	0.0	0.0	0.0	0.00	0.00	0.00
800.0	0.00	0.00	800.0	0.0	0.0	0.0	0.00	0.00	0.00
900.0	0.00	0.00	900.0	0.0	0.0	0.0	0.00	0.00	0.00
1,000.0	0.00	0.00	1,000.0	0.0	0.0	0.0	0.00	0.00	0.00
1,100.0	0.00	0.00	1,100.0	0.0	0.0	0.0	0.00	0.00	0.00
1,200.0	0.00	0.00	1,200.0	0.0	0.0	0.0	0.00	0.00	0.00
1,300.0	0.00	0.00	1,300.0	0.0	0.0	0.0	0.00	0.00	0.00
1,400.0	2.00	54.78	1,400.0	1.0	1.4	-0.9	2.00	2.00	0.00
1,500.0	4.00	54.78	1,499.8	4.0	5.7	-3.6	2.00	2.00	0.00
1,523.3	4.47	54.78	1,523.1	5.0	7.1	-4.5	2.00	2.00	0.00
1,600.0	4.47	54.78	1,599.5	8.5	12.0	-7.7	0.00	0.00	0.00
1,700.0	4.47	54.78	1,699.2	13.0	18.3	-11.7	0.00	0.00	0.00
1,800.0	4.47	54.78	1,798.9	17.4	24.7	-15.8	0.00	0.00	0.00
1,900.0	4.47	54.78	1,898.6	21.9	31.1	-19.8	0.00	0.00	0.00
2,000.0	4.47	54.78	1,998.3	26.4	37.4	-23.9	0.00	0.00	0.00
2,100.0	4.47	54.78	2,098.0	30.9	43.8	-28.0	0.00	0.00	0.00
2,200.0	4.47	54.78	2,197.7	35.4	50.2	-32.0	0.00	0.00	0.00
2,300.0	4.47	54.78	2,297.4	39.9	56.5	-36.1	0.00	0.00	0.00
2,400.0	4.47	54.78	2,397.1	44.4	62.9	-40.2	0.00	0.00	0.00
2,500.0	4.47	54.78	2,496.8	48.9	69.2	-44.2	0.00	0.00	0.00
2,600.0	4.47	54.78	2,596.5	53.4	75.6	-48.3	0.00	0.00	0.00
2,700.0	4.47	54.78	2,696.2	57.9	82.0	-52.3	0.00	0.00	0.00
2,800.0	4.47	54.78	2,795.9	62.3	88.3	-56.4	0.00	0.00	0.00
2,900.0	4.47	54.78	2,895.6	66.8	94.7	-60.5	0.00	0.00	0.00
3,000.0	4.47	54.78	2,995.3	71.3	101.0	-64.5	0.00	0.00	0.00
3,100.0	4.47	54.78	3,095.0	75.8	107.4	-68.6	0.00	0.00	0.00
3,200.0	4.47	54.78	3,194.7	80.3	113.8	-72.6	0.00	0.00	0.00
3,300.0	4.47	54.78	3,294.4	84.8	120.1	-76.7	0.00	0.00	0.00
3,400.0	4.47	54.78	3,394.1	89.3	126.5	-80.8	0.00	0.00	0.00
3,500.0	4.47	54.78	3,493.8	93.8	132.9	-84.8	0.00	0.00	0.00
3,600.0	4.47	54.78	3,593.5	98.3	139.2	-88.9	0.00	0.00	0.00
3,700.0	4.47	54.78	3,693.2	102.8	145.6	-93.0	0.00	0.00	0.00
3,800.0	4.47	54.78	3,792.9	107.2	151.9	-97.0	0.00	0.00	0.00
3,900.0	4.47	54.78	3,892.6	111.7	158.3	-101.1	0.00	0.00	0.00
4,000.0	4.47	54.78	3,992.3	116.2	164.7	-105.1	0.00	0.00	0.00
4,100.0	4.47	54.78	4,092.0	120.7	171.0	-109.2	0.00	0.00	0.00
4,200.0	4.47	54.78	4,191.6	125.2	177.4	-113.3	0.00	0.00	0.00
4,300.0	4.47	54.78	4,291.3	129.7	183.7	-117.3	0.00	0.00	0.00
4,400.0	4.47	54.78	4,391.0	134.2	190.1	-121.4	0.00	0.00	0.00
4,500.0	4.47	54.78	4,490.7	138.7	196.5	-125.5	0.00	0.00	0.00
4,600.0	4.47	54.78	4,590.4	143.2	202.8	-129.5	0.00	0.00	0.00
4,700.0	4.47	54.78	4,690.1	147.7	209.2	-133.6	0.00	0.00	0.00
4,800.0	4.47	54.78	4,789.8	152.2	215.5	-137.6	0.00	0.00	0.00
4,900.0	4.47	54.78	4,889.5	156.6	221.9	-141.7	0.00	0.00	0.00
5,000.0	4.47	54.78	4,989.2	161.1	228.3	-145.8	0.00	0.00	0.00
5,100.0	4.47	54.78	5,088.9	165.6	234.6	-149.8	0.00	0.00	0.00
5,200.0	4.47	54.78	5,188.6	170.1	241.0	-153.9	0.00	0.00	0.00



Planning Report

<b>Database:</b>	PEDMB	<b>Local Co-ordinate Reference:</b>	Well #753H
<b>Company:</b>	Midland	<b>TVD Reference:</b>	kb = 26' @ 3263.0usft
<b>Project:</b>	Eddy County, NM (NAD 83 NME)	<b>MD Reference:</b>	kb = 26' @ 3263.0usft
<b>Site:</b>	Quail 2 State Com	<b>North Reference:</b>	Grid
<b>Well:</b>	#753H	<b>Survey Calculation Method:</b>	Minimum Curvature
<b>Wellbore:</b>	OH		
<b>Design:</b>	Plan #0.1 RT		

Planned Survey										
Measured Depth (usft)	Inclination (°)	Azimuth (°)	Vertical Depth (usft)	+N/-S (usft)	+E/-W (usft)	Vertical Section (usft)	Dogleg Rate (°/100usft)	Build Rate (°/100usft)	Turn Rate (°/100usft)	
5,300.0	4.47	54.78	5,288.3	174.6	247.4	-158.0	0.00	0.00	0.00	
5,400.0	4.47	54.78	5,388.0	179.1	253.7	-162.0	0.00	0.00	0.00	
5,500.0	4.47	54.78	5,487.7	183.6	260.1	-166.1	0.00	0.00	0.00	
5,600.0	4.47	54.78	5,587.4	188.1	266.4	-170.1	0.00	0.00	0.00	
5,700.0	4.47	54.78	5,687.1	192.6	272.8	-174.2	0.00	0.00	0.00	
5,800.0	4.47	54.78	5,786.8	197.1	279.2	-178.3	0.00	0.00	0.00	
5,844.3	4.47	54.78	5,830.9	199.0	282.0	-180.1	0.00	0.00	0.00	
5,900.0	3.35	54.78	5,886.5	201.2	285.1	-182.0	2.00	-2.00	0.00	
6,000.0	1.35	54.78	5,986.4	203.6	288.4	-184.2	2.00	-2.00	0.00	
6,067.6	0.00	0.00	6,054.0	204.1	289.1	-184.6	2.00	-2.00	0.00	
6,100.0	0.00	0.00	6,086.4	204.1	289.1	-184.6	0.00	0.00	0.00	
6,200.0	0.00	0.00	6,186.4	204.1	289.1	-184.6	0.00	0.00	0.00	
6,300.0	0.00	0.00	6,286.4	204.1	289.1	-184.6	0.00	0.00	0.00	
6,400.0	0.00	0.00	6,386.4	204.1	289.1	-184.6	0.00	0.00	0.00	
6,500.0	0.00	0.00	6,486.4	204.1	289.1	-184.6	0.00	0.00	0.00	
6,600.0	0.00	0.00	6,586.4	204.1	289.1	-184.6	0.00	0.00	0.00	
6,700.0	0.00	0.00	6,686.4	204.1	289.1	-184.6	0.00	0.00	0.00	
6,800.0	0.00	0.00	6,786.4	204.1	289.1	-184.6	0.00	0.00	0.00	
6,900.0	0.00	0.00	6,886.4	204.1	289.1	-184.6	0.00	0.00	0.00	
7,000.0	0.00	0.00	6,986.4	204.1	289.1	-184.6	0.00	0.00	0.00	
7,100.0	0.00	0.00	7,086.4	204.1	289.1	-184.6	0.00	0.00	0.00	
7,200.0	0.00	0.00	7,186.4	204.1	289.1	-184.6	0.00	0.00	0.00	
7,300.0	0.00	0.00	7,286.4	204.1	289.1	-184.6	0.00	0.00	0.00	
7,400.0	0.00	0.00	7,386.4	204.1	289.1	-184.6	0.00	0.00	0.00	
7,500.0	0.00	0.00	7,486.4	204.1	289.1	-184.6	0.00	0.00	0.00	
7,600.0	0.00	0.00	7,586.4	204.1	289.1	-184.6	0.00	0.00	0.00	
7,700.0	0.00	0.00	7,686.4	204.1	289.1	-184.6	0.00	0.00	0.00	
7,800.0	0.00	0.00	7,786.4	204.1	289.1	-184.6	0.00	0.00	0.00	
7,900.0	0.00	0.00	7,886.4	204.1	289.1	-184.6	0.00	0.00	0.00	
8,000.0	0.00	0.00	7,986.4	204.1	289.1	-184.6	0.00	0.00	0.00	
8,100.0	0.00	0.00	8,086.4	204.1	289.1	-184.6	0.00	0.00	0.00	
8,200.0	0.00	0.00	8,186.4	204.1	289.1	-184.6	0.00	0.00	0.00	
8,300.0	0.00	0.00	8,286.4	204.1	289.1	-184.6	0.00	0.00	0.00	
8,400.0	0.00	0.00	8,386.4	204.1	289.1	-184.6	0.00	0.00	0.00	
8,500.0	0.00	0.00	8,486.4	204.1	289.1	-184.6	0.00	0.00	0.00	
8,600.0	0.00	0.00	8,586.4	204.1	289.1	-184.6	0.00	0.00	0.00	
8,700.0	0.00	0.00	8,686.4	204.1	289.1	-184.6	0.00	0.00	0.00	
8,800.0	0.00	0.00	8,786.4	204.1	289.1	-184.6	0.00	0.00	0.00	
8,900.0	0.00	0.00	8,886.4	204.1	289.1	-184.6	0.00	0.00	0.00	
9,000.0	0.00	0.00	8,986.4	204.1	289.1	-184.6	0.00	0.00	0.00	
9,100.0	0.00	0.00	9,086.4	204.1	289.1	-184.6	0.00	0.00	0.00	
9,200.0	0.00	0.00	9,186.4	204.1	289.1	-184.6	0.00	0.00	0.00	
9,300.0	0.00	0.00	9,286.4	204.1	289.1	-184.6	0.00	0.00	0.00	
9,400.0	0.00	0.00	9,386.4	204.1	289.1	-184.6	0.00	0.00	0.00	
9,500.0	0.00	0.00	9,486.4	204.1	289.1	-184.6	0.00	0.00	0.00	
9,600.0	0.00	0.00	9,586.4	204.1	289.1	-184.6	0.00	0.00	0.00	
9,700.0	0.00	0.00	9,686.4	204.1	289.1	-184.6	0.00	0.00	0.00	
9,800.0	0.00	0.00	9,786.4	204.1	289.1	-184.6	0.00	0.00	0.00	
9,900.0	0.00	0.00	9,886.4	204.1	289.1	-184.6	0.00	0.00	0.00	
10,000.0	0.00	0.00	9,986.4	204.1	289.1	-184.6	0.00	0.00	0.00	
10,100.0	0.00	0.00	10,086.4	204.1	289.1	-184.6	0.00	0.00	0.00	
10,200.0	0.00	0.00	10,186.4	204.1	289.1	-184.6	0.00	0.00	0.00	
10,300.0	0.00	0.00	10,286.4	204.1	289.1	-184.6	0.00	0.00	0.00	
10,400.0	0.00	0.00	10,386.4	204.1	289.1	-184.6	0.00	0.00	0.00	



Planning Report

<b>Database:</b>	PEDMB	<b>Local Co-ordinate Reference:</b>	Well #753H
<b>Company:</b>	Midland	<b>TVD Reference:</b>	kb = 26' @ 3263.0usft
<b>Project:</b>	Eddy County, NM (NAD 83 NME)	<b>MD Reference:</b>	kb = 26' @ 3263.0usft
<b>Site:</b>	Quail 2 State Com	<b>North Reference:</b>	Grid
<b>Well:</b>	#753H	<b>Survey Calculation Method:</b>	Minimum Curvature
<b>Wellbore:</b>	OH		
<b>Design:</b>	Plan #0.1 RT		

Planned Survey									
Measured Depth (usft)	Inclination (°)	Azimuth (°)	Vertical Depth (usft)	+N/-S (usft)	+E/-W (usft)	Vertical Section (usft)	Dogleg Rate (°/100usft)	Build Rate (°/100usft)	Turn Rate (°/100usft)
10,500.0	0.00	0.00	10,486.4	204.1	289.1	-184.6	0.00	0.00	0.00
10,600.0	0.00	0.00	10,586.4	204.1	289.1	-184.6	0.00	0.00	0.00
10,700.0	0.00	0.00	10,686.4	204.1	289.1	-184.6	0.00	0.00	0.00
10,800.0	0.00	0.00	10,786.4	204.1	289.1	-184.6	0.00	0.00	0.00
10,900.0	0.00	0.00	10,886.4	204.1	289.1	-184.6	0.00	0.00	0.00
11,000.0	0.00	0.00	10,986.4	204.1	289.1	-184.6	0.00	0.00	0.00
11,100.0	0.00	0.00	11,086.4	204.1	289.1	-184.6	0.00	0.00	0.00
11,200.0	0.00	0.00	11,186.4	204.1	289.1	-184.6	0.00	0.00	0.00
11,300.0	0.00	0.00	11,286.4	204.1	289.1	-184.6	0.00	0.00	0.00
11,359.1	0.00	0.00	11,345.5	204.1	289.1	-184.6	0.00	0.00	0.00
11,375.0	1.91	179.80	11,361.4	203.8	289.1	-184.3	12.00	12.00	0.00
11,400.0	4.91	179.80	11,386.4	202.3	289.1	-182.9	12.00	12.00	0.00
11,425.0	7.91	179.80	11,411.2	199.5	289.1	-180.1	12.00	12.00	0.00
11,450.0	10.91	179.80	11,435.9	195.4	289.1	-176.0	12.00	12.00	0.00
11,475.0	13.91	179.80	11,460.3	190.1	289.1	-170.6	12.00	12.00	0.00
11,500.0	16.91	179.80	11,484.4	183.4	289.2	-164.0	12.00	12.00	0.00
11,525.0	19.92	179.80	11,508.1	175.5	289.2	-156.1	12.00	12.00	0.00
11,550.0	22.92	179.80	11,531.4	166.4	289.2	-147.0	12.00	12.00	0.00
11,575.0	25.92	179.80	11,554.1	156.1	289.3	-136.7	12.00	12.00	0.00
11,600.0	28.92	179.80	11,576.3	144.5	289.3	-125.2	12.00	12.00	0.00
11,625.0	31.92	179.80	11,597.9	131.9	289.3	-112.6	12.00	12.00	0.00
11,650.0	34.92	179.80	11,618.8	118.1	289.4	-98.8	12.00	12.00	0.00
11,675.0	37.92	179.80	11,638.9	103.3	289.4	-84.0	12.00	12.00	0.00
11,700.0	40.92	179.80	11,658.2	87.4	289.5	-68.2	12.00	12.00	0.00
11,725.0	43.92	179.80	11,676.6	70.5	289.6	-51.3	12.00	12.00	0.00
11,750.0	46.92	179.80	11,694.2	52.7	289.6	-33.6	12.00	12.00	0.00
11,775.0	49.92	179.80	11,710.8	34.0	289.7	-14.9	12.00	12.00	0.00
11,800.0	52.92	179.80	11,726.4	14.5	289.8	4.6	12.00	12.00	0.00
11,825.0	55.92	179.80	11,740.9	-5.8	289.8	24.9	12.00	12.00	0.00
11,850.0	58.92	179.80	11,754.4	-26.9	289.9	45.9	12.00	12.00	0.00
11,875.0	61.92	179.80	11,766.7	-48.6	290.0	67.6	12.00	12.00	0.00
11,900.0	64.92	179.80	11,777.9	-71.0	290.1	89.9	12.00	12.00	0.00
11,905.5	65.59	179.80	11,780.2	-76.0	290.1	94.9	12.00	12.00	0.00
11,925.0	67.92	179.78	11,787.9	-93.9	290.1	112.8	12.00	12.00	-0.08
11,950.0	70.92	179.76	11,796.7	-117.3	290.2	136.1	12.00	12.00	-0.08
11,975.0	73.92	179.74	11,804.2	-141.1	290.3	159.9	12.00	12.00	-0.07
12,000.0	76.92	179.72	11,810.5	-165.3	290.5	184.1	12.00	12.00	-0.07
12,025.0	79.92	179.71	11,815.5	-189.8	290.6	208.5	12.00	12.00	-0.07
12,050.0	82.92	179.69	11,819.2	-214.5	290.7	233.2	12.00	12.00	-0.07
12,075.0	85.92	179.67	11,821.7	-239.4	290.9	258.0	12.00	12.00	-0.07
12,100.0	88.92	179.65	11,822.8	-264.4	291.0	282.9	12.00	12.00	-0.07
12,109.0	90.00	179.65	11,822.9	-273.3	291.1	291.9	12.00	12.00	-0.07
12,200.0	90.00	179.65	11,822.9	-364.4	291.6	382.8	0.00	0.00	0.00
12,300.0	90.00	179.65	11,822.9	-464.4	292.2	482.6	0.00	0.00	0.00
12,400.0	90.00	179.65	11,822.9	-564.4	292.8	582.4	0.00	0.00	0.00
12,500.0	90.00	179.65	11,822.9	-664.4	293.5	682.2	0.00	0.00	0.00
12,600.0	90.00	179.65	11,822.9	-764.4	294.1	782.1	0.00	0.00	0.00
12,700.0	90.00	179.65	11,822.9	-864.4	294.7	881.9	0.00	0.00	0.00
12,800.0	90.00	179.65	11,822.9	-964.4	295.3	981.7	0.00	0.00	0.00
12,900.0	90.00	179.65	11,822.9	-1,064.4	295.9	1,081.5	0.00	0.00	0.00
13,000.0	90.00	179.65	11,822.9	-1,164.4	296.5	1,181.3	0.00	0.00	0.00
13,100.0	90.00	179.65	11,822.9	-1,264.4	297.1	1,281.2	0.00	0.00	0.00
13,200.0	90.00	179.65	11,822.9	-1,364.4	297.7	1,381.0	0.00	0.00	0.00
13,300.0	90.00	179.65	11,822.9	-1,464.4	298.4	1,480.8	0.00	0.00	0.00



Planning Report

<b>Database:</b>	PEDMB	<b>Local Co-ordinate Reference:</b>	Well #753H
<b>Company:</b>	Midland	<b>TVD Reference:</b>	kb = 26' @ 3263.0usft
<b>Project:</b>	Eddy County, NM (NAD 83 NME)	<b>MD Reference:</b>	kb = 26' @ 3263.0usft
<b>Site:</b>	Quail 2 State Com	<b>North Reference:</b>	Grid
<b>Well:</b>	#753H	<b>Survey Calculation Method:</b>	Minimum Curvature
<b>Wellbore:</b>	OH		
<b>Design:</b>	Plan #0.1 RT		

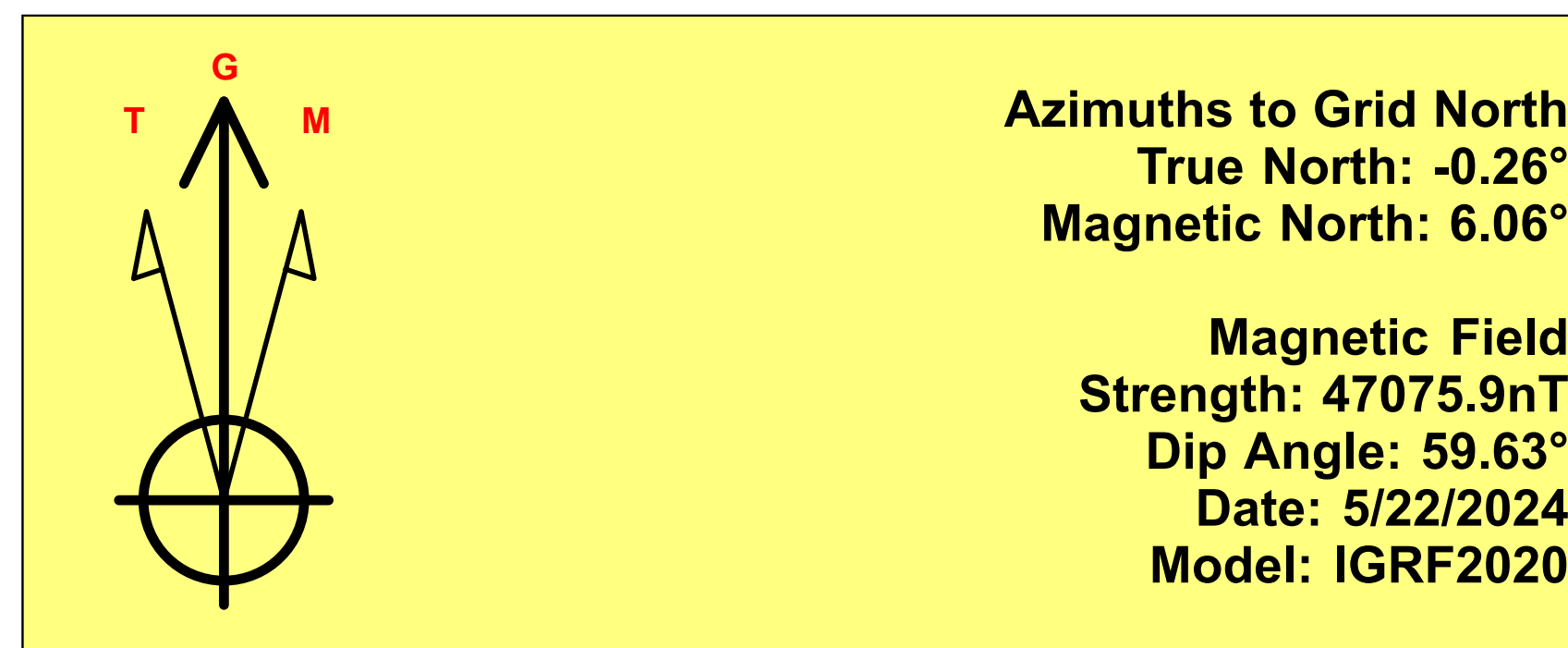
Planned Survey										
Measured Depth (usft)	Inclination (°)	Azimuth (°)	Vertical Depth (usft)	+N/-S (usft)	+E/-W (usft)	Vertical Section (usft)	Dogleg Rate (°/100usft)	Build Rate (°/100usft)	Turn Rate (°/100usft)	
13,400.0	90.00	179.65	11,822.9	-1,564.4	299.0	1,580.6	0.00	0.00	0.00	
13,500.0	90.00	179.65	11,822.9	-1,664.4	299.6	1,680.5	0.00	0.00	0.00	
13,600.0	90.00	179.65	11,822.9	-1,764.3	300.2	1,780.3	0.00	0.00	0.00	
13,700.0	90.00	179.65	11,822.9	-1,864.3	300.8	1,880.1	0.00	0.00	0.00	
13,800.0	90.00	179.65	11,822.9	-1,964.3	301.4	1,979.9	0.00	0.00	0.00	
13,900.0	90.00	179.65	11,822.9	-2,064.3	302.0	2,079.7	0.00	0.00	0.00	
14,000.0	90.00	179.65	11,822.9	-2,164.3	302.7	2,179.6	0.00	0.00	0.00	
14,100.0	90.00	179.65	11,822.9	-2,264.3	303.3	2,279.4	0.00	0.00	0.00	
14,200.0	90.00	179.65	11,822.9	-2,364.3	303.9	2,379.2	0.00	0.00	0.00	
14,300.0	90.00	179.65	11,822.9	-2,464.3	304.5	2,479.0	0.00	0.00	0.00	
14,400.0	90.00	179.65	11,822.9	-2,564.3	305.1	2,578.9	0.00	0.00	0.00	
14,500.0	90.00	179.65	11,822.9	-2,664.3	305.7	2,678.7	0.00	0.00	0.00	
14,600.0	90.00	179.65	11,822.9	-2,764.3	306.3	2,778.5	0.00	0.00	0.00	
14,700.0	90.00	179.65	11,823.0	-2,864.3	306.9	2,878.3	0.00	0.00	0.00	
14,800.0	90.00	179.65	11,823.0	-2,964.3	307.6	2,978.1	0.00	0.00	0.00	
14,900.0	90.00	179.65	11,823.0	-3,064.3	308.2	3,078.0	0.00	0.00	0.00	
15,000.0	90.00	179.65	11,823.0	-3,164.3	308.8	3,177.8	0.00	0.00	0.00	
15,100.0	90.00	179.65	11,823.0	-3,264.3	309.4	3,277.6	0.00	0.00	0.00	
15,200.0	90.00	179.65	11,823.0	-3,364.3	310.0	3,377.4	0.00	0.00	0.00	
15,300.0	90.00	179.65	11,823.0	-3,464.3	310.6	3,477.2	0.00	0.00	0.00	
15,400.0	90.00	179.65	11,823.0	-3,564.3	311.2	3,577.1	0.00	0.00	0.00	
15,500.0	90.00	179.65	11,823.0	-3,664.3	311.9	3,676.9	0.00	0.00	0.00	
15,600.0	90.00	179.65	11,823.0	-3,764.3	312.5	3,776.7	0.00	0.00	0.00	
15,700.0	90.00	179.65	11,823.0	-3,864.3	313.1	3,876.5	0.00	0.00	0.00	
15,800.0	90.00	179.65	11,823.0	-3,964.3	313.7	3,976.4	0.00	0.00	0.00	
15,900.0	90.00	179.65	11,823.0	-4,064.3	314.3	4,076.2	0.00	0.00	0.00	
16,000.0	90.00	179.65	11,823.0	-4,164.3	314.9	4,176.0	0.00	0.00	0.00	
16,100.0	90.00	179.65	11,823.0	-4,264.3	315.5	4,275.8	0.00	0.00	0.00	
16,200.0	90.00	179.65	11,823.0	-4,364.3	316.1	4,375.6	0.00	0.00	0.00	
16,300.0	90.00	179.65	11,823.0	-4,464.3	316.8	4,475.5	0.00	0.00	0.00	
16,400.0	90.00	179.65	11,823.0	-4,564.3	317.4	4,575.3	0.00	0.00	0.00	
16,500.0	90.00	179.65	11,823.0	-4,664.3	318.0	4,675.1	0.00	0.00	0.00	
16,600.0	90.00	179.65	11,823.0	-4,764.3	318.6	4,774.9	0.00	0.00	0.00	
16,675.7	90.00	179.65	11,823.0	-4,840.0	319.1	4,850.5	0.00	0.00	0.00	

Design Targets										
Target Name	Dip Angle (°)	Dip Dir. (°)	TVD (usft)	+N/-S (usft)	+E/-W (usft)	Northing (usft)	Easting (usft)	Latitude	Longitude	
KOP(Quail 2 State Com - plan hits target center - Point	0.00	0.00	11,345.5	204.1	289.1	392,856.00	692,457.00	32° 4' 44.765 N	103° 50' 43.496 W	
FTP(Quail 2 State Com ; - plan hits target center - Point	0.00	0.00	11,780.2	-76.0	290.1	392,576.00	692,458.00	32° 4' 41.994 N	103° 50' 43.499 W	
PBHL(Quail 2 State Con - plan hits target center - Point	0.00	0.00	11,823.0	-4,840.0	319.1	387,813.00	692,487.00	32° 3' 54.858 N	103° 50' 43.412 W	

Eddy County, NM (NAD 83 NME)

Quail 2 State Com #753H

Plan #0.1 RT



Azimuths to Grid North  
True North: -0.26°  
Magnetic North: 6.06°

Magnetic Field  
Strength: 47075.9nT  
Dip Angle: 59.63°  
Date: 5/22/2024  
Model: IGRF2020

To convert a Magnetic Direction to a Grid Direction, Add 6.06°  
To convert a True Direction to a Grid Direction, Add 6.32° East  
To convert a True Direction to a Grid Direction, Subtract 0.26°

PROJECT DETAILS: Eddy County, NM (NAD 83 NME)

Geodetic System: US State Plane 1983  
Datum: North American Datum 1983  
Ellipsoid: GRS 1980  
Zone: New Mexico Eastern Zone  
System Datum: Mean Sea Level

WELL DETAILS: #753H

3237.0  
kb = 26' @ 3263.0usft  
Northing 392652.00 Easting 692168.00 Latitude 32° 4' 42.759 N Longitude 103° 50' 46.866 W

SECTION DETAILS

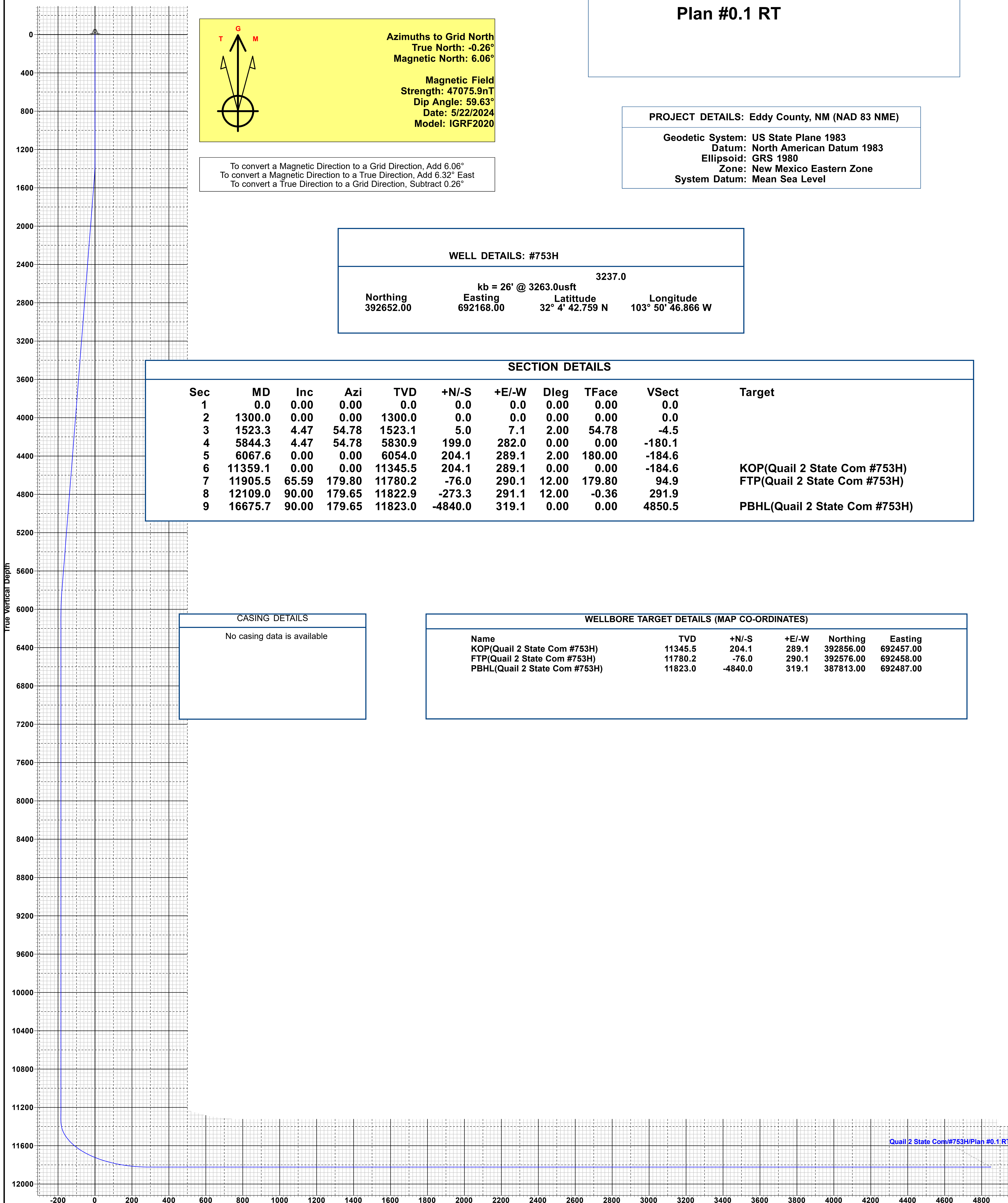
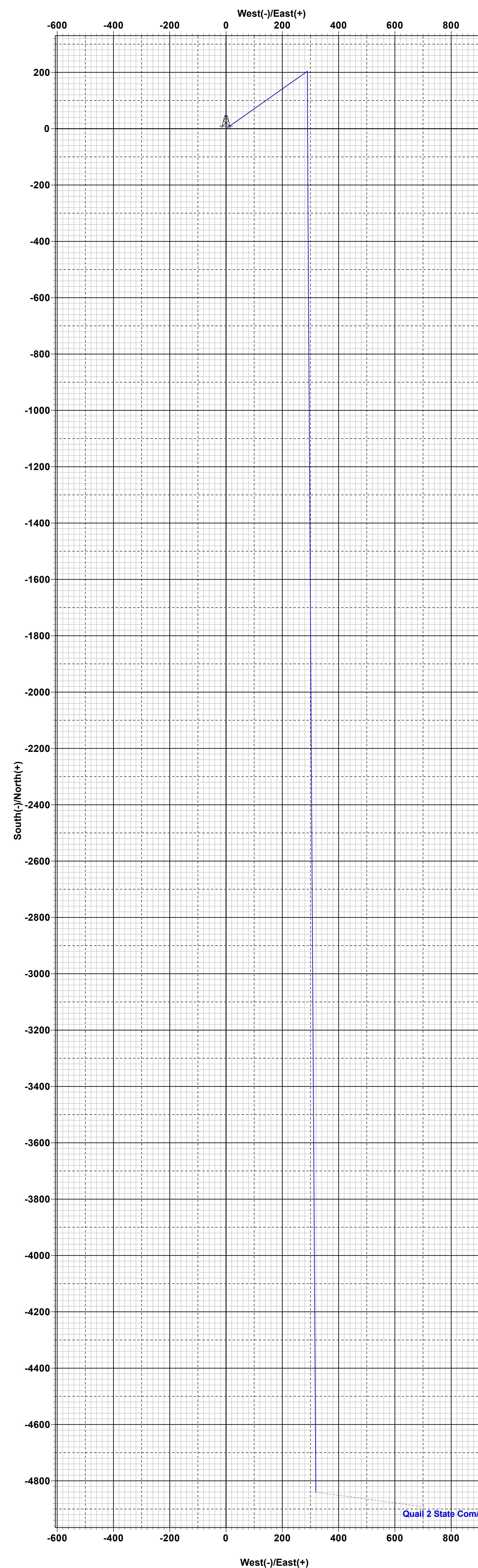
Sec	MD	Inc	Azi	TVD	+N/-S	+E/-W	Dleg	TFace	VSect	Target
1	0.0	0.00	0.00	0.0	0.0	0.0	0.00	0.00	0.0	
2	1300.0	0.00	0.00	1300.0	0.0	0.0	0.00	0.00	0.0	
3	1523.3	4.47	54.78	1523.1	5.0	7.1	2.00	54.78	-4.5	
4	5844.3	4.47	54.78	5830.9	199.0	282.0	0.00	0.00	-180.1	
5	6067.6	0.00	0.00	6054.0	204.1	289.1	2.00	180.00	-184.6	
6	11359.1	0.00	0.00	11345.5	204.1	289.1	0.00	0.00	-184.6	KOP(Quail 2 State Com #753H)
7	11905.5	65.59	179.80	11780.2	-76.0	291.1	12.00	179.80	94.9	FTP(Quail 2 State Com #753H)
8	12109.0	90.00	179.65	11822.9	-273.3	291.1	12.00	-0.36	291.9	
9	16675.7	90.00	179.65	11823.0	-4840.0	319.1	0.00	0.00	4850.5	PBHL(Quail 2 State Com #753H)

CASING DETAILS

No casing data is available

WELLBORE TARGET DETAILS (MAP CO-ORDINATES)

Name	TVD	+N/-S	+E/-W	Northing	Easting
KOP(Quail 2 State Com #753H)	11345.5	204.1	289.1	392856.00	692457.00
FTP(Quail 2 State Com #753H)	11780.2	-76.0	291.1	392576.00	692458.00
PBHL(Quail 2 State Com #753H)	11823.0	-4840.0	319.1	387813.00	692487.00



Vertical Section at 176.23°

Quail 2 State Com/#753H/Plan #0.1 RT

State of New Mexico  
 Energy, Minerals and Natural Resources Department

Submit Electronically  
 Via E-permitting

Oil Conservation Division  
 1220 South St. Francis Dr.  
 Santa Fe, NM 87505

## NATURAL GAS MANAGEMENT PLAN

This Natural Gas Management Plan must be submitted with each Application for Permit to Drill (APD) for a new or recompleted well.

### Section 1 – Plan Description Effective May 25, 2021

**I. Operator:** EOG Resources, Inc. **OGRID:** 7377 **Date:** 5/22/2024

**II. Type:**  Original  Amendment due to  19.15.27.9.D(6)(a) NMAC  19.15.27.9.D(6)(b) NMAC  Other.

If Other, please describe: \_\_\_\_\_

**III. Well(s):** Provide the following information for each new or recompleted well or set of wells proposed to be drilled or proposed to be recompleted from a single well pad or connected to a central delivery point.

Well Name	API	ULSTR	Footages	Anticipated Oil BBL/D	Anticipated Gas MCF/D	Anticipated Produced Water BBL/D
QUAIL 2 STATE COM 753H		A-2-26S-30E	252' FNL & 930' FEL	+/- 1000	+/- 3500	+/- 3000

**IV. Central Delivery Point Name:** Quail 2 State Com CTB [See 19.15.27.9(D)(1) NMAC]

**V. Anticipated Schedule:** Provide the following information for each new or recompleted well or set of wells proposed to be drilled or proposed to be recompleted from a single well pad or connected to a central delivery point.

Well Name	API	Spud Date	TD Reached Date	Completion Commencement Date	Initial Flow Back Date	First Production Date
QUAIL 2 STATE COM 753H		06/18/24	07/2/24	10/01/24	11/01/24	12/01/24

**VI. Separation Equipment:**  Attach a complete description of how Operator will size separation equipment to optimize gas capture.

**VII. Operational Practices:**  Attach a complete description of the actions Operator will take to comply with the requirements of Subsection A through F of 19.15.27.8 NMAC.

**VIII. Best Management Practices:**  Attach a complete description of Operator's best management practices to minimize venting during active and planned maintenance.



**Section 2 – Enhanced Plan**  
**EFFECTIVE APRIL 1, 2022**

Beginning April 1, 2022, an operator that is not in compliance with its statewide natural gas capture requirement for the applicable reporting area must complete this section.

Operator certifies that it is not required to complete this section because Operator is in compliance with its statewide natural gas capture requirement for the applicable reporting area.

**IX. Anticipated Natural Gas Production:**

Well	API	Anticipated Average Natural Gas Rate MCF/D	Anticipated Volume of Natural Gas for the First Year MCF

**X. Natural Gas Gathering System (NGGS):**

Operator	System	ULSTR of Tie-in	Anticipated Gathering Start Date	Available Maximum Daily Capacity of System Segment Tie-in

**XI. Map.**  Attach an accurate and legible map depicting the location of the well(s), the anticipated pipeline route(s) connecting the production operations to the existing or planned interconnect of the natural gas gathering system(s), and the maximum daily capacity of the segment or portion of the natural gas gathering system(s) to which the well(s) will be connected.

**XII. Line Capacity.** The natural gas gathering system  will  will not have capacity to gather 100% of the anticipated natural gas production volume from the well prior to the date of first production.

**XIII. Line Pressure.** Operator  does  does not anticipate that its existing well(s) connected to the same segment, or portion, of the natural gas gathering system(s) described above will continue to meet anticipated increases in line pressure caused by the new well(s).

Attach Operator’s plan to manage production in response to the increased line pressure.

**XIV. Confidentiality:**  Operator asserts confidentiality pursuant to Section 71-2-8 NMSA 1978 for the information provided in Section 2 as provided in Paragraph (2) of Subsection D of 19.15.27.9 NMAC, and attaches a full description of the specific information for which confidentiality is asserted and the basis for such assertion.

### **Section 3 - Certifications**

**Effective May 25, 2021**

Operator certifies that, after reasonable inquiry and based on the available information at the time of submittal:

Operator will be able to connect the well(s) to a natural gas gathering system in the general area with sufficient capacity to transport one hundred percent of the anticipated volume of natural gas produced from the well(s) commencing on the date of first production, taking into account the current and anticipated volumes of produced natural gas from other wells connected to the pipeline gathering system; or

Operator will not be able to connect to a natural gas gathering system in the general area with sufficient capacity to transport one hundred percent of the anticipated volume of natural gas produced from the well(s) commencing on the date of first production, taking into account the current and anticipated volumes of produced natural gas from other wells connected to the pipeline gathering system.

***If Operator checks this box, Operator will select one of the following:***

**Well Shut-In.**  Operator will shut-in and not produce the well until it submits the certification required by Paragraph (4) of Subsection D of 19.15.27.9 NMAC; or

**Venting and Flaring Plan.**  Operator has attached a venting and flaring plan that evaluates and selects one or more of the potential alternative beneficial uses for the natural gas until a natural gas gathering system is available, including:

- (a) power generation on lease;
- (b) power generation for grid;
- (c) compression on lease;
- (d) liquids removal on lease;
- (e) reinjection for underground storage;
- (f) reinjection for temporary storage;
- (g) reinjection for enhanced oil recovery;
- (h) fuel cell production; and
- (i) other alternative beneficial uses approved by the division.

### **Section 4 - Notices**

1. If, at any time after Operator submits this Natural Gas Management Plan and before the well is spud:

(a) Operator becomes aware that the natural gas gathering system it planned to connect the well(s) to has become unavailable or will not have capacity to transport one hundred percent of the production from the well(s), no later than 20 days after becoming aware of such information, Operator shall submit for OCD's approval a new or revised venting and flaring plan containing the information specified in Paragraph (5) of Subsection D of 19.15.27.9 NMAC; or

(b) Operator becomes aware that it has, cumulatively for the year, become out of compliance with its baseline natural gas capture rate or natural gas capture requirement, no later than 20 days after becoming aware of such information, Operator shall submit for OCD's approval a new or revised Natural Gas Management Plan for each well it plans to spud during the next 90 days containing the information specified in Paragraph (2) of Subsection D of 19.15.27.9 NMAC, and shall file an update for each Natural Gas Management Plan until Operator is back in compliance with its baseline natural gas capture rate or natural gas capture requirement.

2. OCD may deny or conditionally approve an APD if Operator does not make a certification, fails to submit an adequate venting and flaring plan which includes alternative beneficial uses for the anticipated volume of natural gas produced, or if OCD determines that Operator will not have adequate natural gas takeaway capacity at the time a well will be spud.

I certify that, after reasonable inquiry, the statements in and attached to this Natural Gas Management Plan are true and correct to the best of my knowledge and acknowledge that a false statement may be subject to civil and criminal penalties under the Oil and Gas Act.

Signature: <i>Star L Harrell</i>
Printed Name: Star L Harrell
Title: Sr Regulatory Specialist
E-mail Address: Star_Harrell@eogresources.com
Date: 5/22/2024
Phone: (432) 848-9161
<b>OIL CONSERVATION DIVISION</b> <b>(Only applicable when submitted as a standalone form)</b>
Approved By:
Title:
Approval Date:
Conditions of Approval:

**Natural Gas Management Plan****Items VI-VIII****VI. Separation Equipment: Attach a complete description of how Operator will size separation equipment to optimize gas capture.**

- Separation equipment will be sized to provide adequate separation for anticipated rates.
- Adequate separation relates to retention time for Liquid – Liquid separation and velocity for Gas-Liquid separation.
- Collection systems are appropriately sized to handle facility production rates on all (3) phases.
- Ancillary equipment and metering is selected to be serviced without flow interruptions or the need to release gas from the well.

**VII. Operational Practices: Attach a complete description of the actions Operator will take to comply with the requirements of Subsection A through F 19.15.27.8 NMAC.****Drilling Operations**

- All flare stacks will be properly sized. The flare stacks will be located at a minimum 100' from the nearest surface hole location on the pad.
- All natural gas produced during drilling operations will be flared, unless there is an equipment malfunction and/or to avoid risk of an immediate and substantial adverse impact on safety and the environment, at which point the gas will be vented.

**Completions/Recompletions Operations**

- New wells will not be flowed back until they are connected to a properly sized gathering system.
- The facility will be built/sized for maximum anticipated flowrates and pressures to minimize waste.
- For flowback operations, multiple stages of separation will be used as well as excess VRU and blowers to make sure waste is minimized off the storage tanks and facility.
- During initial flowback, the well stream will be routed to separation equipment.
- At an existing facility, when necessary, post separation natural gas will be flared until it meets pipeline specifications, at which point it will be turned into a collection system.
- At a new facility, post separation natural gas will be vented until storage tanks can safely function, at which point it will be flared until it meets pipeline spec.

**Production Operations**

- Weekly AVOs will be performed on all facilities.
- All flares will be equipped with auto-ignition systems and continuous pilot operations.
- After a well is stabilized from liquid unloading, the well will be turned back into the collection system.
- All plunger lift systems will be optimized to limit the amount of waste.
- All tanks will have automatic gauging equipment installed.
- Leaking thief hatches found during AVOs will be cleaned and properly re-sealed.

**Performance Standards**

- Production equipment will be designed to handle maximum anticipated rates and pressure.
- All flared gas will be combusted in a flare stack that is properly sized and designed to ensure proper combustion.
- Weekly AVOs will be performed on all wells and facilities that produce more than 60 Mcfd.

**Measurement & Estimation**

- All volume that is flared and vented that is not measured will be estimated.
- All measurement equipment for flared volumes will conform to API 14.10.
- No meter bypasses will be installed.

- When metering is not practical due to low pressure/low rate, the vented or flared volume will be estimated.

**VIII. Best Management Practices: Attach a complete description of Operator's best management practices to minimize venting during active and planned maintenance.**

- During downhole well maintenance, EOG will use best management practices to vent as minimally as possible.
- Prior to the commencement of any maintenance, the tank or vessel will be isolated from the rest of the facilities.
- All valves upstream of the equipment will be closed and isolated.
- After equipment has been isolated, the equipment will be blown down to as low a pressure as possible into the collection system.
- If the equipment being maintained cannot be relieved into the collection system, it shall be released to a tank where the vapor can either be captured or combusted if possible.
- After downhole well maintenance, natural gas will be flared until it reaches pipeline specification.



**Intermediate Bradenhead Cement:**

EOG requests variance from minimum standards to pump a two stage cement job on the intermediate casing string with the first stage being pumped conventionally with the calculated top of cement at the Brushy Canyon and the second stage performed as 1000 sack bradenhead squeeze with planned cement from the Brushy Canyon to surface. If necessary, a top out consisting of Class C cement + 3% Salt + 1% PreMag-M + 6% Bentonite Gel (2.30 yld, 12.91 ppg) will be executed as a contingency. Top of cement will be verified by Echo-meter.

EOG will include the Echo-meter verified fluid top and the volume of displacement fluid above the cement slurry in the annulus in all post-drill sundries on wells utilizing this cement program.

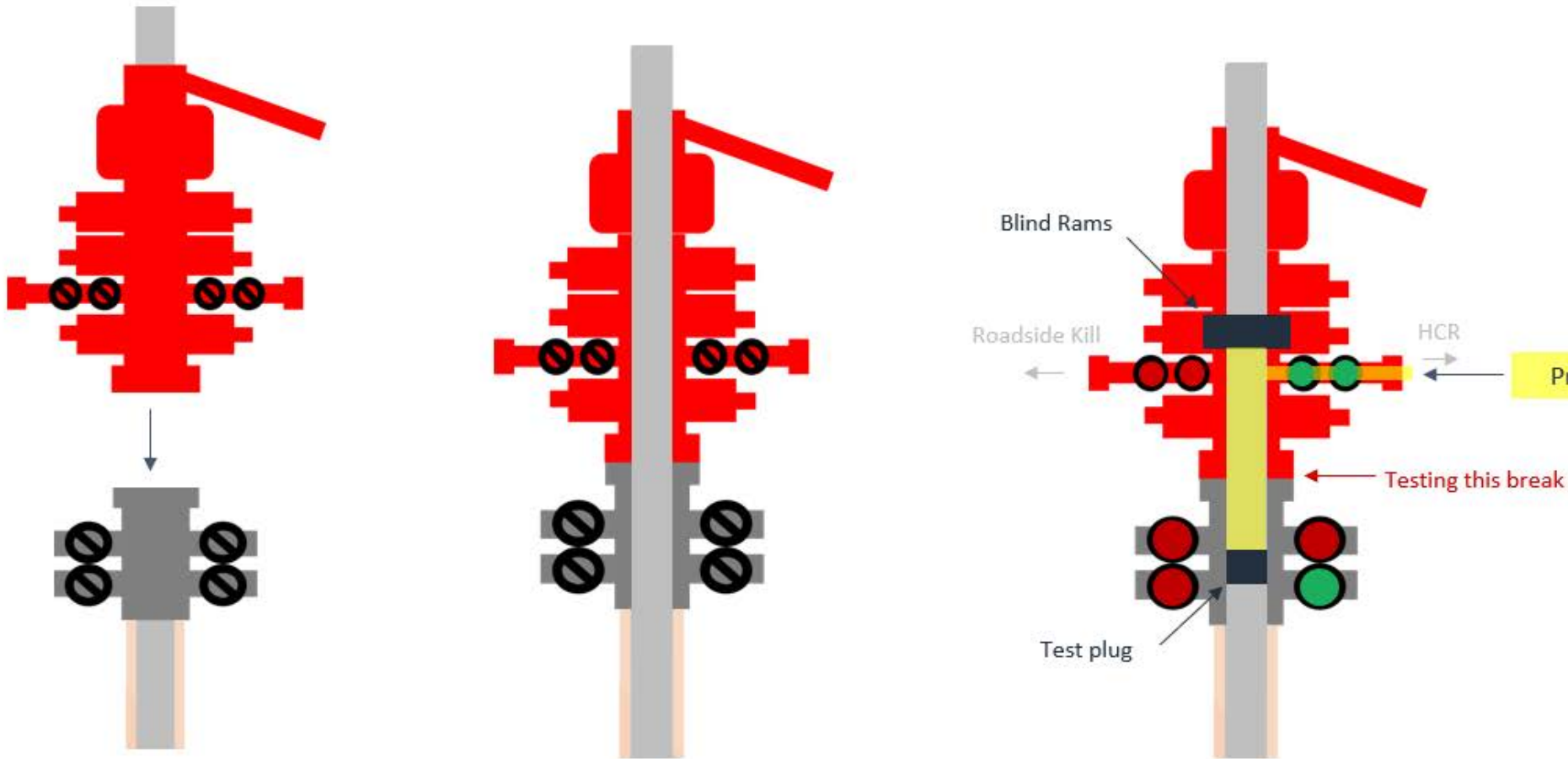
EOG will report to the BLM the volume of fluid (limited to 5 bbls) used to flush intermediate casing valves following backside cementing procedures.

**Break-test BOP & Offline Cementing:**

EOG Resources Inc. (EOG) respectfully requests a variance from the minimum standards for well control equipment testing of ECFR Title 43 Part 3172.6(b)(9)(iv) to allow a testing schedule of the blow out preventer (BOP) and blow out prevention equipment (BOPE) along with Batch Drilling & Offline cement operations to include the following:

- Full BOPE test at first installation on the pad.
- Full BOPE test every 21 days.
- This test will be conducted for 5M rated hole intervals only.
- Each rig requesting the break-test variance is capable of picking up the BOP without damaging components using winches, following API Standard 53, Well Control Equipment Systems for Drilling Wells (Fifth edition, December 2018, Annex C. Table C.4) which recognizes break testing as an acceptable practice.
- Function tests will be performed on the following BOP elements:
  - Annular ã during each full BOPE test
  - Upper Pipe Rams ã On trip ins where FIT required
  - Blind Rams ã Every trip
  - Lower Pipe Rams ã during each full BOPE test
- Break testing BOP and BOPE coupled with batch drilling operations and option to offline cement and/or remediate (if needed) any surface or intermediate sections, according to attached offline cementing support documentation.
- After the well section is secured, the BOP will be disconnected from the wellhead and walked with the rig to another well on the pad.
- TA cap will also be installed per Wellhead vendor procedure and pressure inside the casing will be monitored via the valve on the TA cap as per standard batch drilling ops.

# Break Test Diagram (HCR valve)

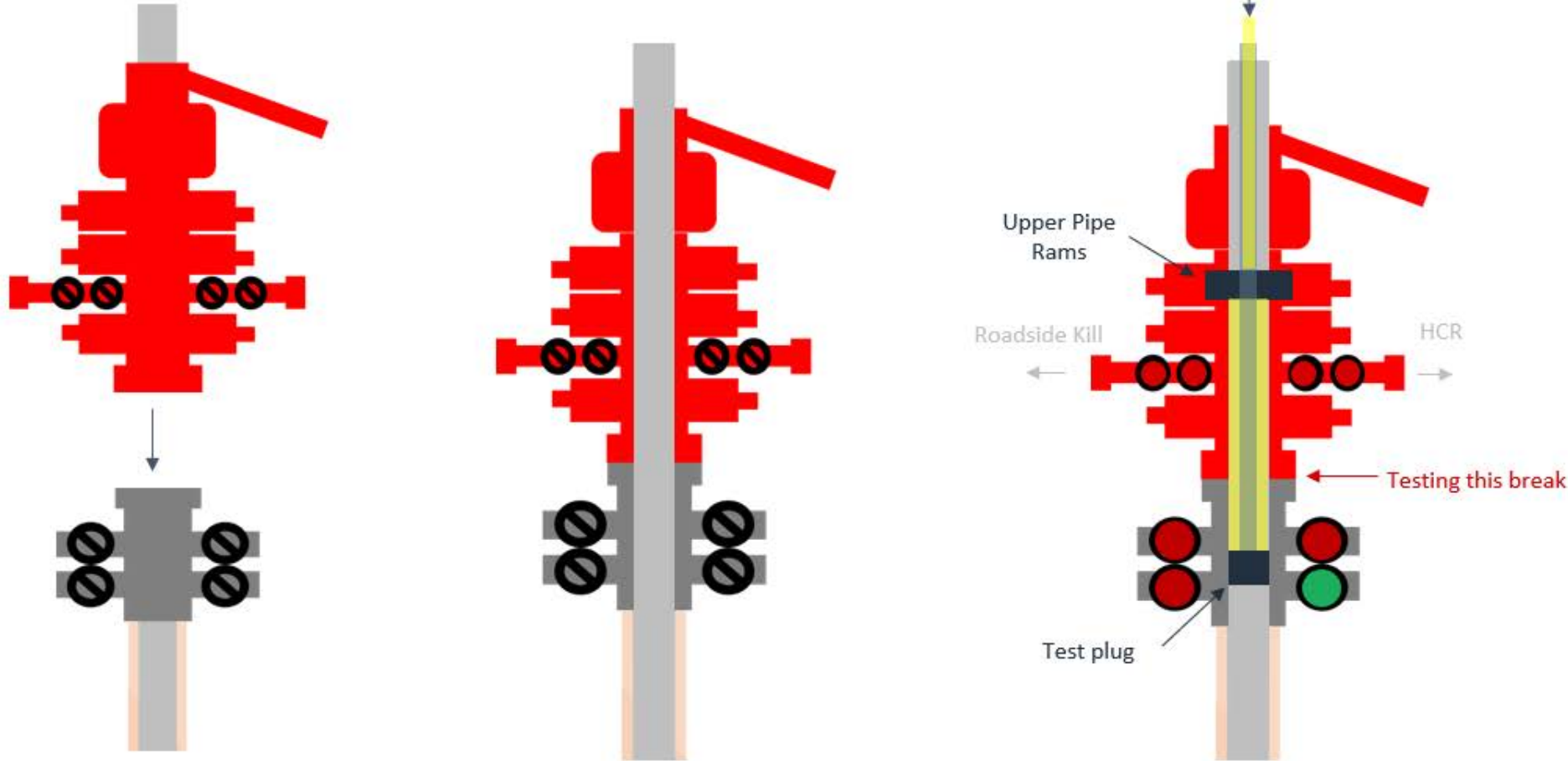


## Steps

1. Set plug in wellhead (lower barrier)
2. Close Blind Rams (upper barrier)
3. Close roadside kill
4. Open HCR (pressure application)
5. Open wellhead valves below test plug to ensure if leak past test plug, pressure won't be applied to wellbore
6. Tie BOP testers high pressure line to main choke manifold crown valve
7. Pressure up to test break
8. Bleed test pressure from BOP testing unit



# Break Test Diagram (Test Joint)



## Steps

1. Set plug in with test joint wellhead (lower barrier)
2. Close Upper Pipe Rams (upper barrier)
3. Close roadside kill
4. Close HCR
5. Open wellhead valves below test plug to ensure if leak past test plug, pressure won't be applied to wellbore
6. Tie BOP testers high pressure line to top of test joint
7. Pressure up to test break
8. Bleed test pressure from BOP testing unit



## Offline Intermediate Cementing Procedure

2/24/2022

**Cement Program**

1. No changes to the cement program will take place for offline cementing.

**Summarized Operational Procedure for Intermediate Casing**

1. Run casing as per normal operations. While running casing, conduct negative pressure test and confirm integrity of the float equipment back pressure valves.
  - a. Float equipment is equipped with two back pressure valves rated to a minimum of 5,000 psi.
2. Land production casing on mandrel hanger through BOP.
  - a. If casing is unable to be landed with a mandrel hanger, then the **casing will be cemented online.**
3. Break circulation and confirm no restrictions.
  - a. Ensure no blockage of float equipment and appropriate annular returns.
  - b. Perform flow check to confirm well is static.
4. Set pack-off
  - a. If utilizing a fluted/ported mandrel hanger, ensure well is static on the annulus and inside the casing by filling the pipe with kill weight fluid, remove landing joint, and set annular packoff through BOP. Pressure test to 5,000 psi for 10 min.
  - b. If utilizing a solid mandrel hanger, ensure well is static on the annulus and inside the casing by filling the pipe with kill weight fluid. Pressure test seals to 5,000 psi for 10 min. Remove landing joint through BOP.
5. After confirmation of both annular barriers and the two casing barriers, install TA plug and pressure test to 5,000 psi for 10 min. Notify the BLM with intent to proceed with nipple down and offline cementing.
  - a. Minimum 4 hrs notice.
6. With the well secured and BLM notified, nipple down BOP and secure on hydraulic carrier or cradle.
  - a. **Note, if any of the barriers fail to test, the BOP stack will not be nipped down until after the cement job has concluded and both lead and tail slurry have reached 500 psi.**
7. Skid/Walk rig off current well.
8. Confirm well is static before removing TA Plug.
  - a. Cementing operations will not proceed until well is under control. (If well is not static, notify BLM and proceed to kill)
  - b. Casing outlet valves will provide access to both the casing ID and annulus. Rig or third party pump truck will kill well prior to cementing.
  - c. Well control plan can be seen in Section B, Well Control Procedures.
  - d. If need be, rig can be moved back over well and BOP nipped back up for any further remediation.



Offline Intermediate Cementing Procedure

2/24/2022

- e. Diagram for rig positioning relative to offline cementing can be seen in Figure 4.
9. Rig up return lines to take returns from wellhead to pits and rig choke.
  - a. Test all connections and lines from wellhead to choke manifold to 5,000 psi high for 10 min.
  - b. If either test fails, perform corrections and retest before proceeding.
  - c. Return line schematics can be seen in Figure 3.
10. Remove TA Plug from the casing.
11. Install offline cement tool.
  - a. Current offline cement tool schematics can be seen in Figure 1 (Cameron) and Figure 2 (Cactus).
12. Rig up cement head and cementing lines.
  - a. Pressure test cement lines against cement head to 80% of casing burst for 10 min.
13. Break circulation on well to confirm no restrictions.
  - a. If gas is present on circulation, well will be shut in and returns rerouted through gas buster.
  - b. Max anticipated time before circulating with cement truck is 6 hrs.
14. Pump cement job as per plan.
  - a. At plug bump, test casing to 0.22 psi/ft or 1500 psi, whichever is greater.
  - b. If plug does not bump on calculated, shut down and wait 8 hrs or 500 psi compressive strength, whichever is greater before testing casing.
15. Confirm well is static and floats are holding after cement job.
  - a. With floats holding and backside static:
    - i. Remove cement head.
  - b. If floats are leaking:
    - i. Shut-in well and WOC (Wait on Cement) until tail slurry reaches 500 psi compressive strength and the casing is static prior to removing cement head.
  - c. If there is flow on the backside:
    - i. Shut in well and WOC until tail slurry reaches 500 psi compressive strength. Ensure that the casing is static prior to removing cement head.
16. Remove offline cement tool.
17. Install night cap with pressure gauge for monitoring.
18. Test night cap to 5,000 psi for 10 min.



Offline Intermediate Cementing Procedure

2/24/2022

### Example Well Control Plan Content

#### A. Well Control Component Table

The table below, which covers the cementing of the **5M MASP (Maximum Allowable Surface Pressure) portion of the well**, outlines the well control component rating in use. This table, combined with the mud program, documents that two barriers to flow can be maintained at all times, independent of the BOP nipped up to the wellhead.

Intermediate hole section, 5M requirement

Component	RWP
Pack-off	10M
Casing Wellhead Valves	10M
Annular Wellhead Valves	5M
TA Plug	10M
Float Valves	5M
2" 1502 Lo-Torque Valves	15M

#### B. Well Control Procedures

Well control procedures are specific to the rig equipment and the operation at the time the kick occurs. Below are the minimal high-level tasks prescribed to assure a proper shut-in while circulating and cementing through the Offline Cement Adapter.

##### General Procedure While Circulating

1. Sound alarm (alert crew).
2. Shut down pumps.
3. Shut-in Well (close valves to rig pits and open valve to rig choke line. Rig choke will already be in the closed position).
4. Confirm shut-in.
5. Notify tool pusher/company representative.

Page | 3



Offline Intermediate Cementing Procedure

2/24/2022

6. Read and record the following:
  - a. SICP (Shut in Casing Pressure) and AP (Annular Pressure)
  - b. Pit gain
  - c. Time
  - d. Regroup and identify forward plan to continue circulating out kick via rig choke and mud/gas separator. Circulate and adjust mud density as needed to control well.

General Procedure While Cementing

1. Sound alarm (alert crew).
2. Shut down pumps.
3. Shut-in Well (close valves to rig pits and open valve to rig choke line. Rig choke will already be in the closed position).
4. Confirm shut-in.
5. Notify tool pusher/company representative.
6. Open rig choke and begin pumping again taking returns through choke manifold and mud/gas separator.
7. Continue to place cement until plug bumps.
8. At plug bump close rig choke and cement head.
9. Read and record the following
  - a. SICP and AP
  - b. Pit gain
  - c. Time
  - d. Shut-in annulus valves on wellhead

General Procedure After Cementing

1. Sound alarm (alert crew).
2. Shut-in Well (close valves to rig pits and open valve to rig choke line. Rig choke will already be in the closed position).
3. Confirm shut-in.
4. Notify tool pusher/company representative.
5. Read and record the following:
  - a. SICP and AP
  - b. Pit gain
  - c. Time
  - d. Shut-in annulus valves on wellhead



Figure 1: Cameron TA Plug and Offline Adapter Schematic

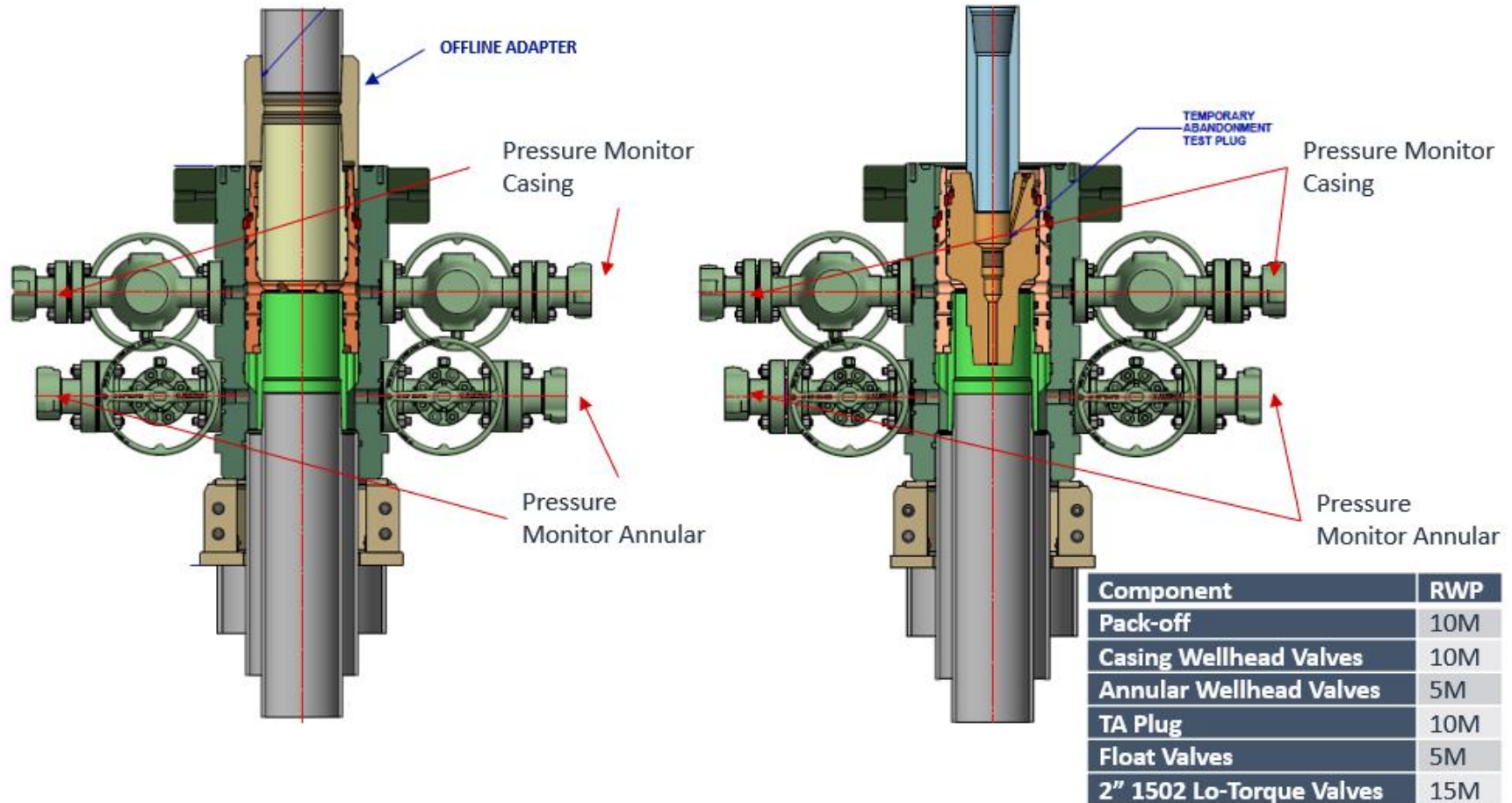
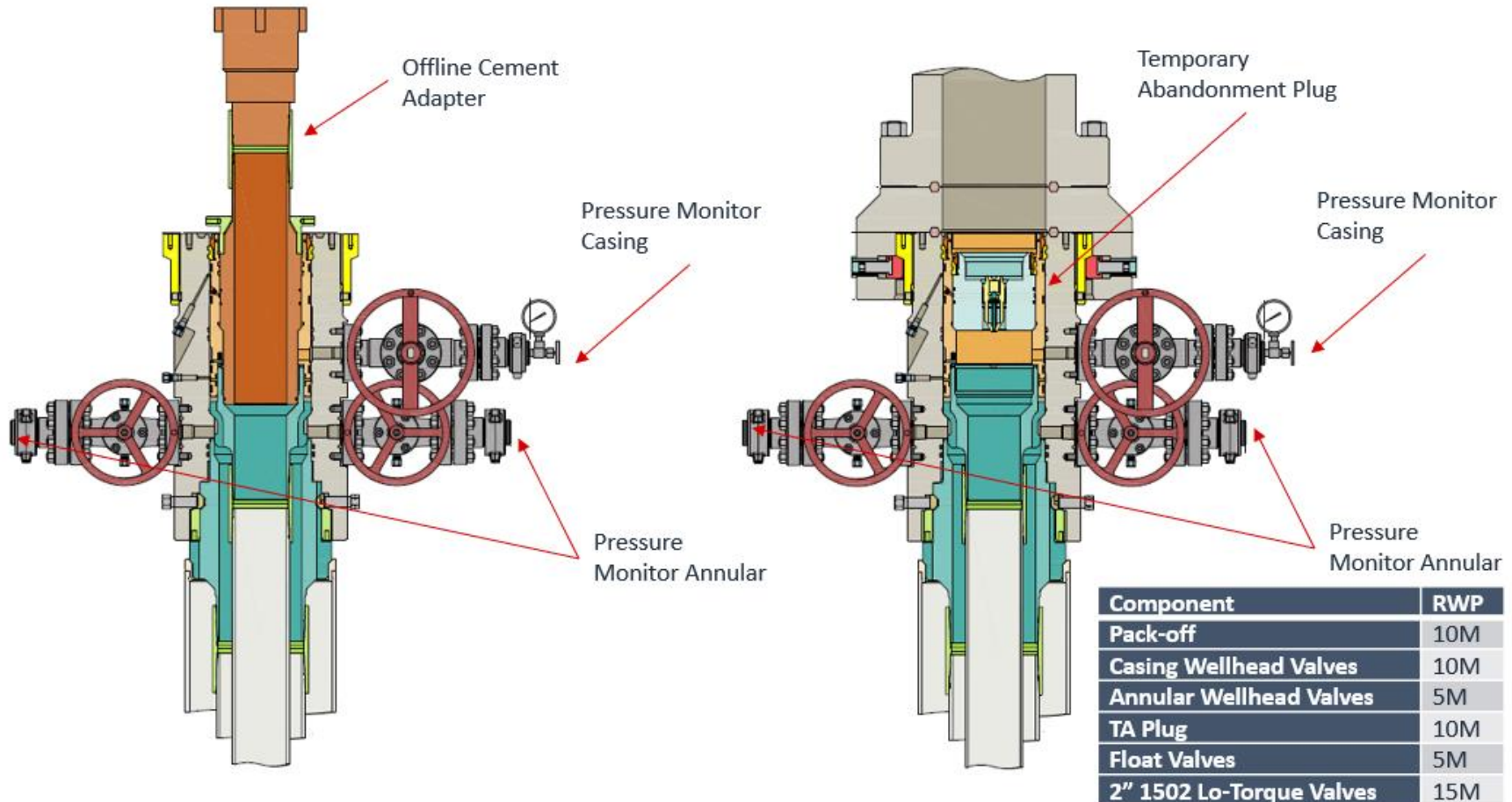




Figure 2: Cactus TA Plug and Offline Adapter Schematic

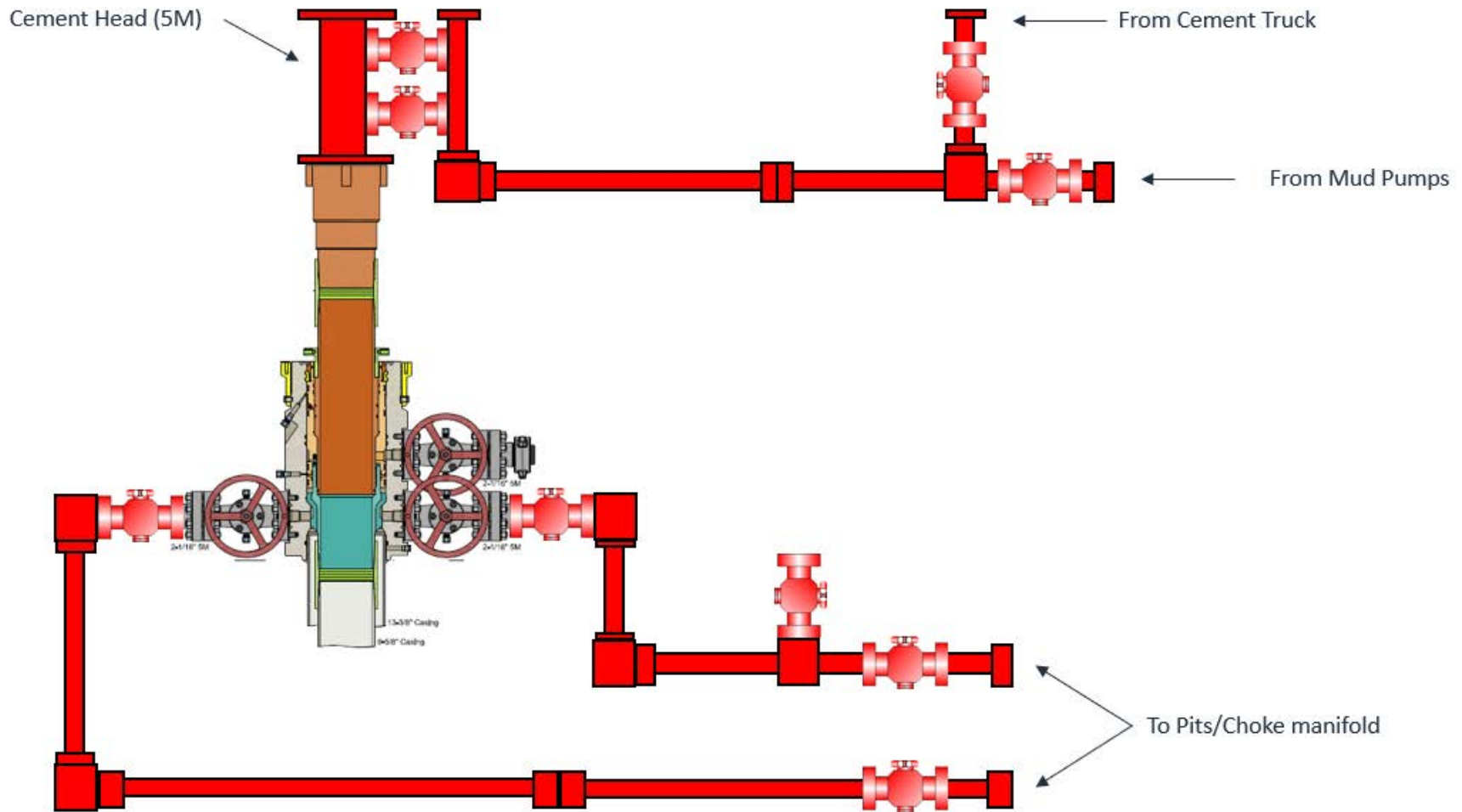




Offline Intermediate Cementing Procedure

2/24/2022

Figure 3: Back Yard Rig Up



\*\*\* All Lines 10M rated working pressure

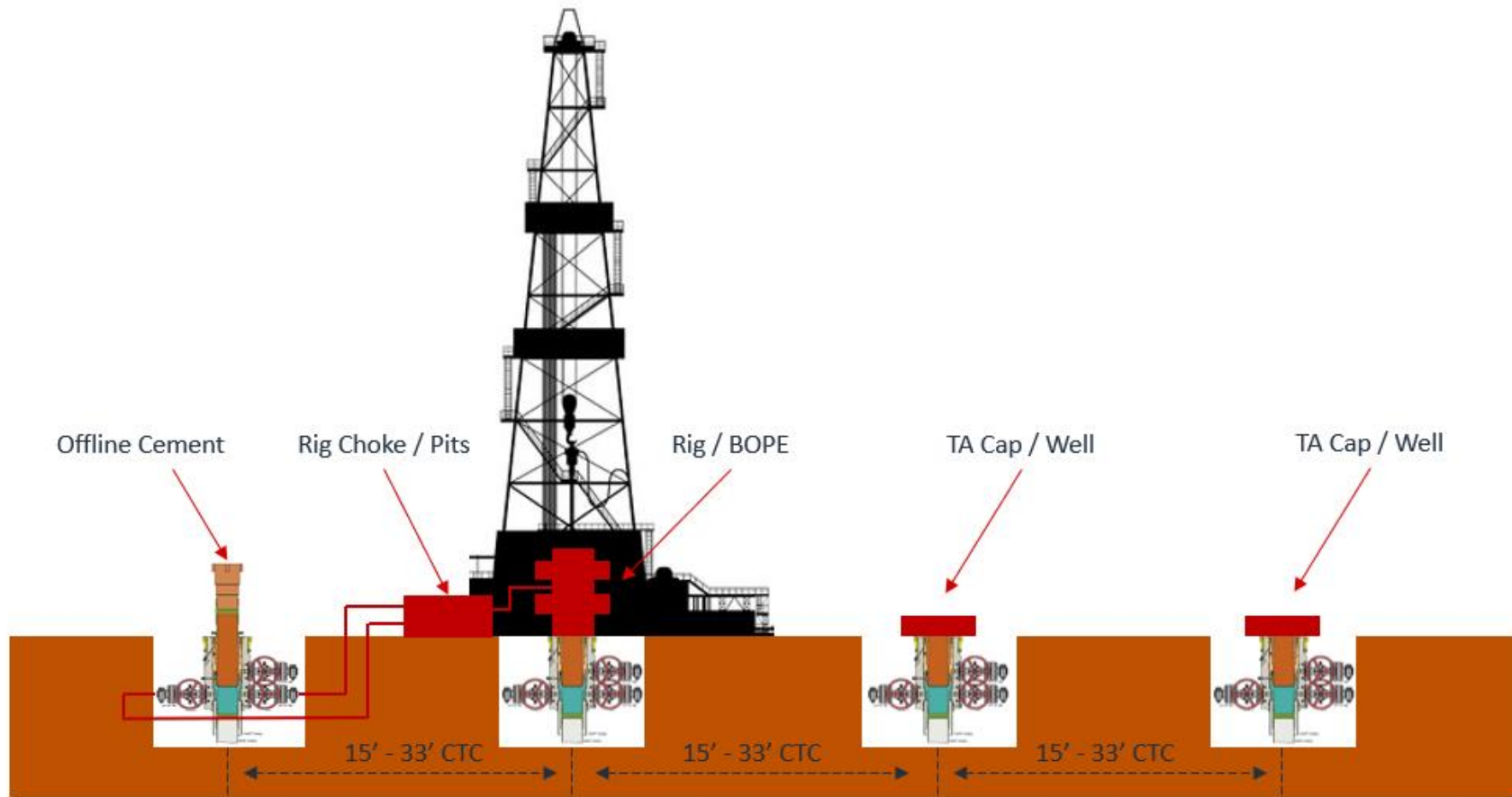




Offline Intermediate Cementing Procedure

2/24/2022

Figure 4: Rig Placement Diagram





# Salt Section Annular Clearance Variance Request

---

---

Daniel Moose

# Current Design (Salt Strings)

## 0.422" Annular clearance requirement

- Casing collars shall have a minimum clearance of 0.422 inches on all sides in the hole/casing annulus, with recognition that variances can be granted for justified exceptions.

- 12.25" Hole x 9.625" 40# J55/HCK55 LTC Casing
  - 1.3125" Clearance to casing OD
  - 0.8125" Clearance to coupling OD
- 9.875" Hole x 8.75" 38.5# P110 Sprint-SF Casing
  - 0.5625" Clearance to casing OD
  - 0.433" Clearance to coupling OD

# Annular Clearance Variance Request

**EOG request permission to allow deviation from the 0.422” annulus clearance requirement for the intermediate (salt) section from Onshore Order #2 under the following conditions:**

- The variance is not applicable within the Potash Boundaries or Capitan Reef areas.
- Operator takes responsibility to get casing to set point in the event that the clearance causes stuck pipe issues

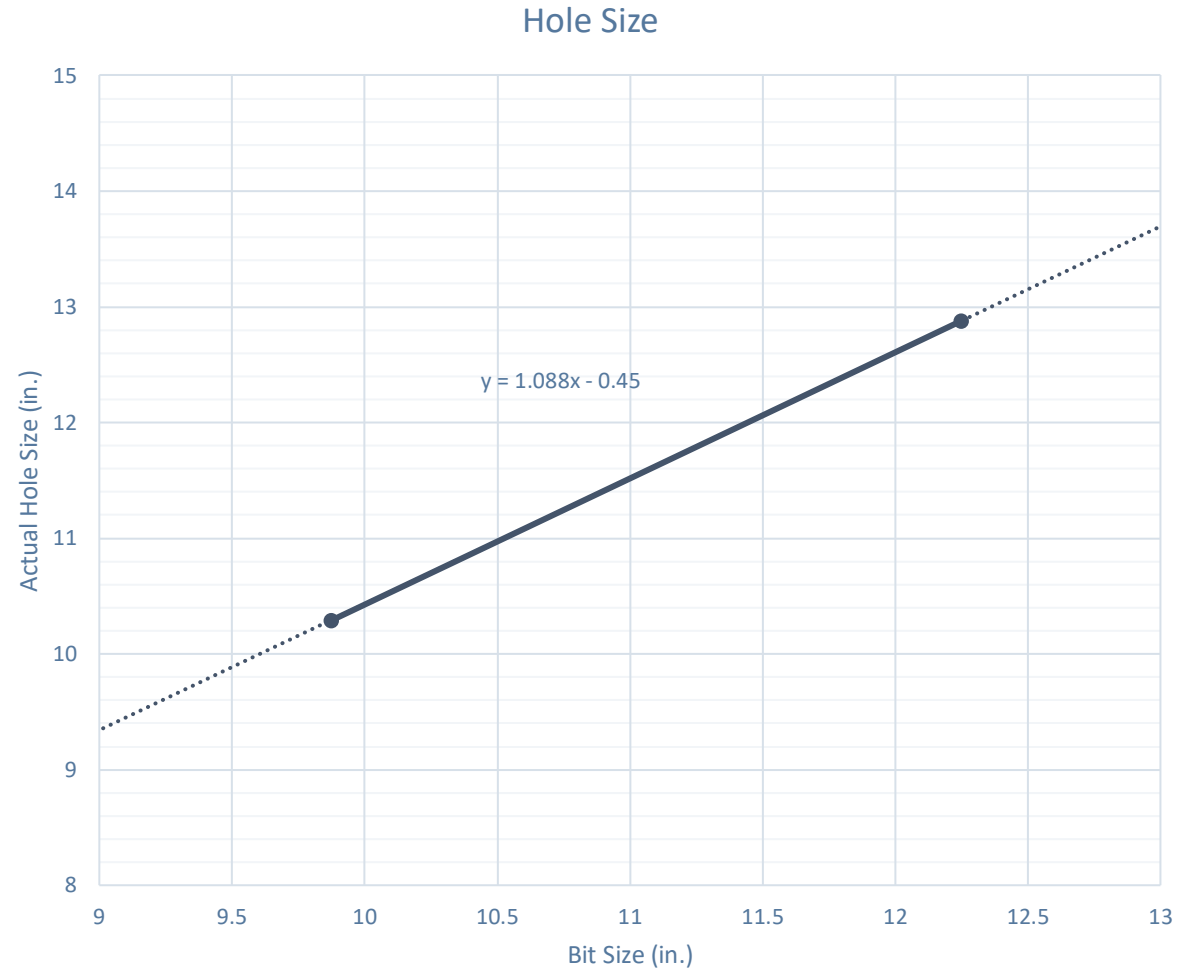
# Volumetric Hole Size Calculation

## Hole Size Calculations Off Cement Volumes

- Known volume of cement pumped
- Known volume of cement returned to surface
- Must not have had any losses
- Must have bumped plug

## Average Hole Size

- 12.25" Hole
  - 12.88" Hole
    - 5.13% diameter increase
    - 10.52% area increase
  - 0.63" Average enlargement
  - 0.58" Median enlargement
  - 179 Well Count
- 9.875" Hole
  - 10.30" Hole
    - 4.24% diameter increase
    - 9.64% area increase
  - 0.42" Average enlargement
  - 0.46" Median enlargement
  - 11 Well Count

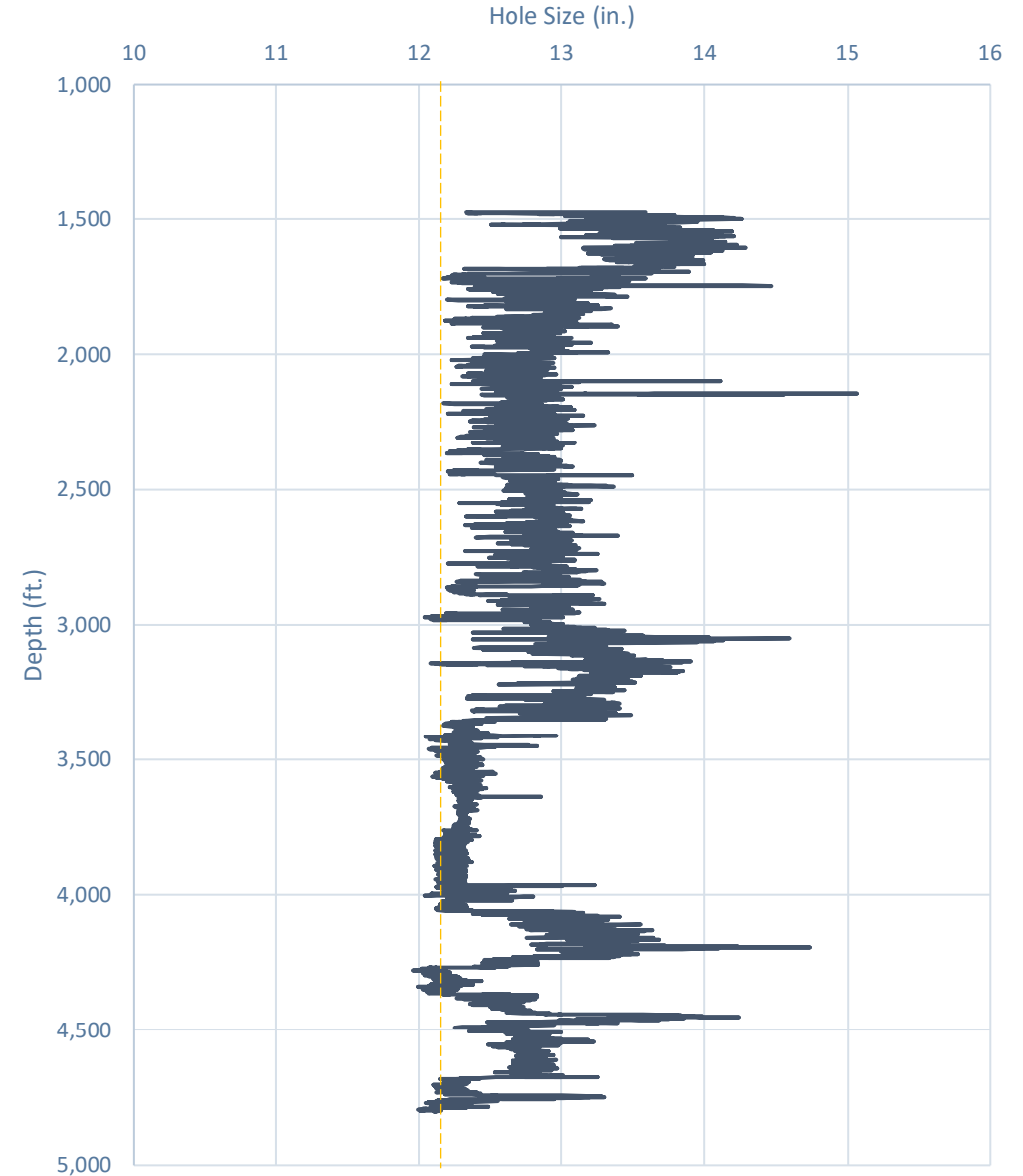


# Caliper Hole Size (12.25")

## Average Hole Size

- 12.25" Bit
  - 12.76" Hole
    - 4.14% diameter increase
    - 8.44% area increase
  - 0.51" Average enlargement
  - 0.52" Median enlargement
  - Brine

Modelo 10 Fed Com #501H

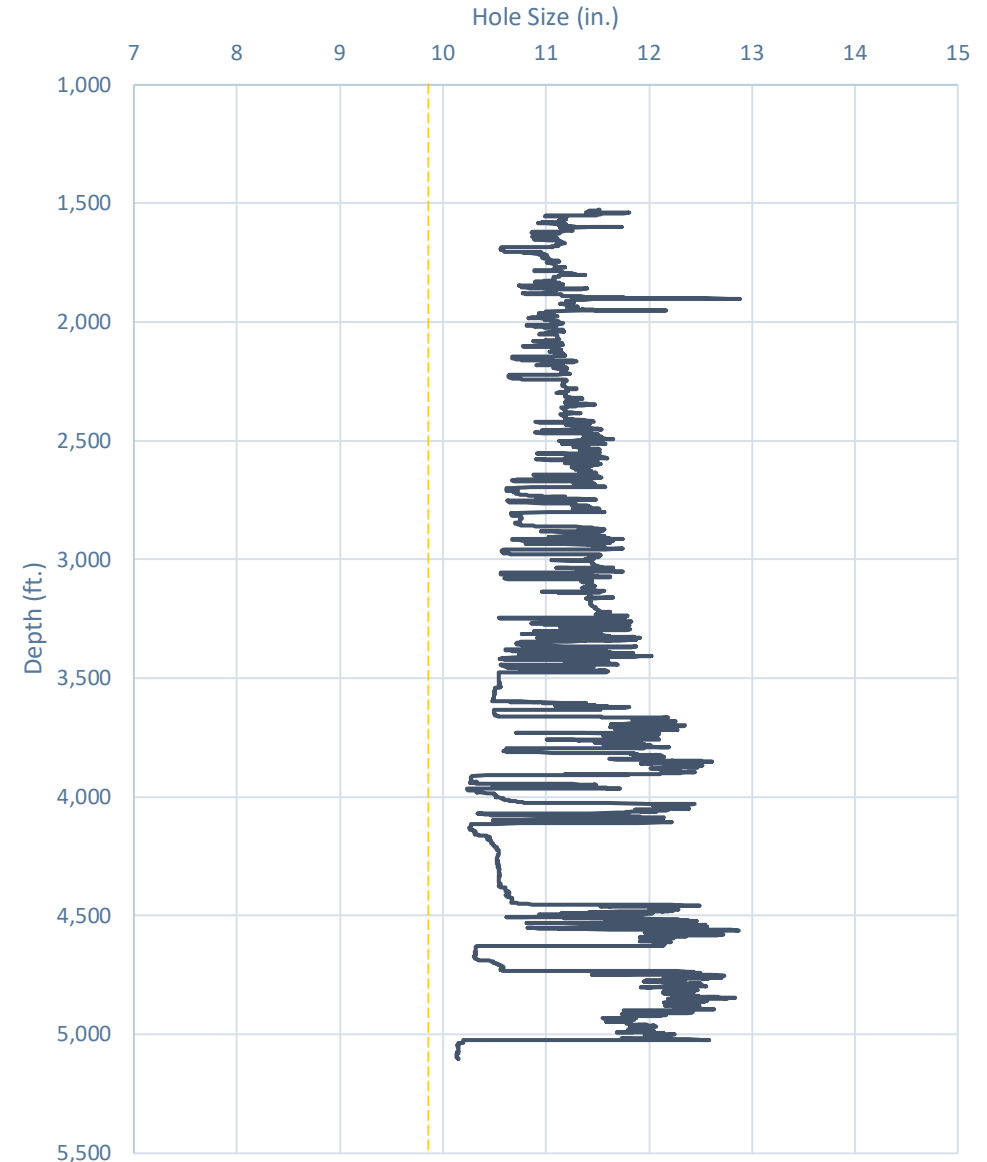


# Caliper Hole Size (9.875")

## Average Hole Size

- 9.875" Hole
  - 11.21" Hole
    - 13.54% diameter increase
    - 28.92% area increase
  - 1.33" Average enlargement
  - 1.30" Median enlargement
  - EnerLite

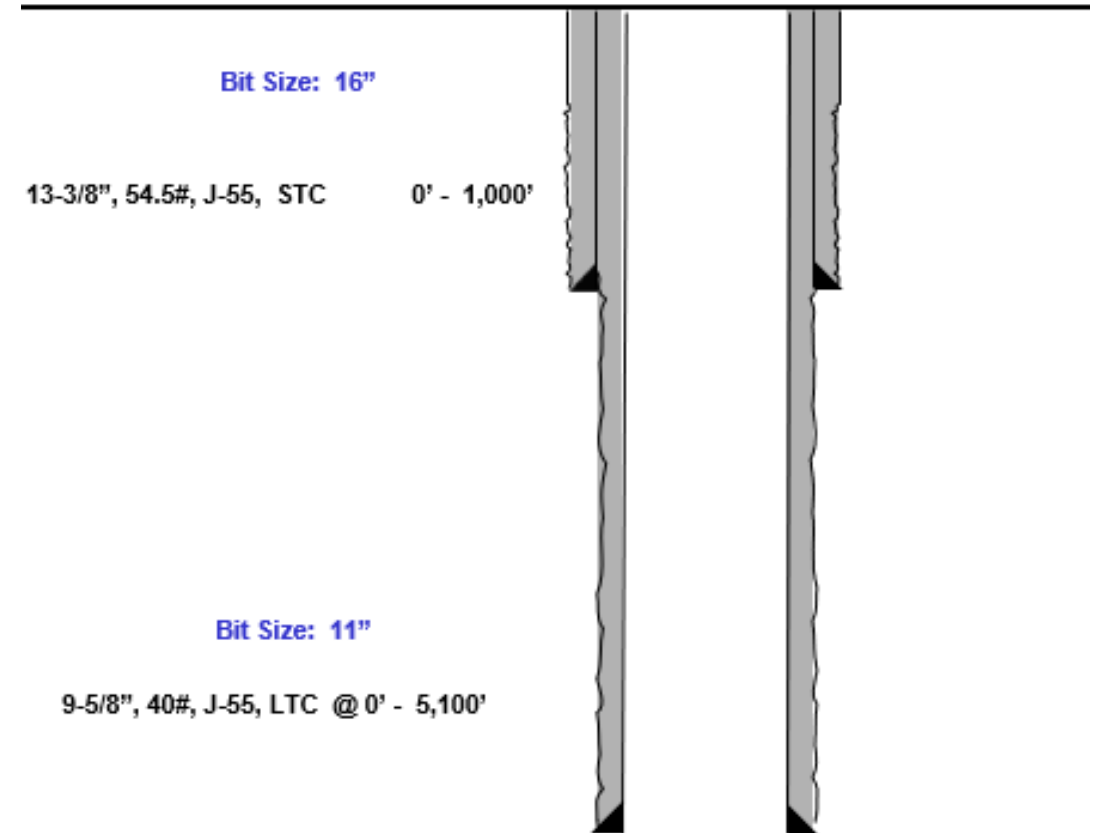
Whirling Wind 11 Fed Com #744H



# Design A

## Proposed 11" Hole with 9.625" 40# J55/HCK55 LTC Casing

- 11" Bit + 0.52" Average hole enlargement = 11.52" Hole Size
  - 0.9475" Clearance to casing OD
 
$$= \frac{11.52 - 9.625}{2}$$
  - 0.4475" Clearance to coupling OD
 
$$= \frac{11.52 - 10.625}{2}$$
- Previous Shoe – 13.375" 54.5# J55 STC
  - 0.995" Clearance to coupling OD (~1,200' overlap)
 
$$= \frac{12.615 - 10.625}{2}$$

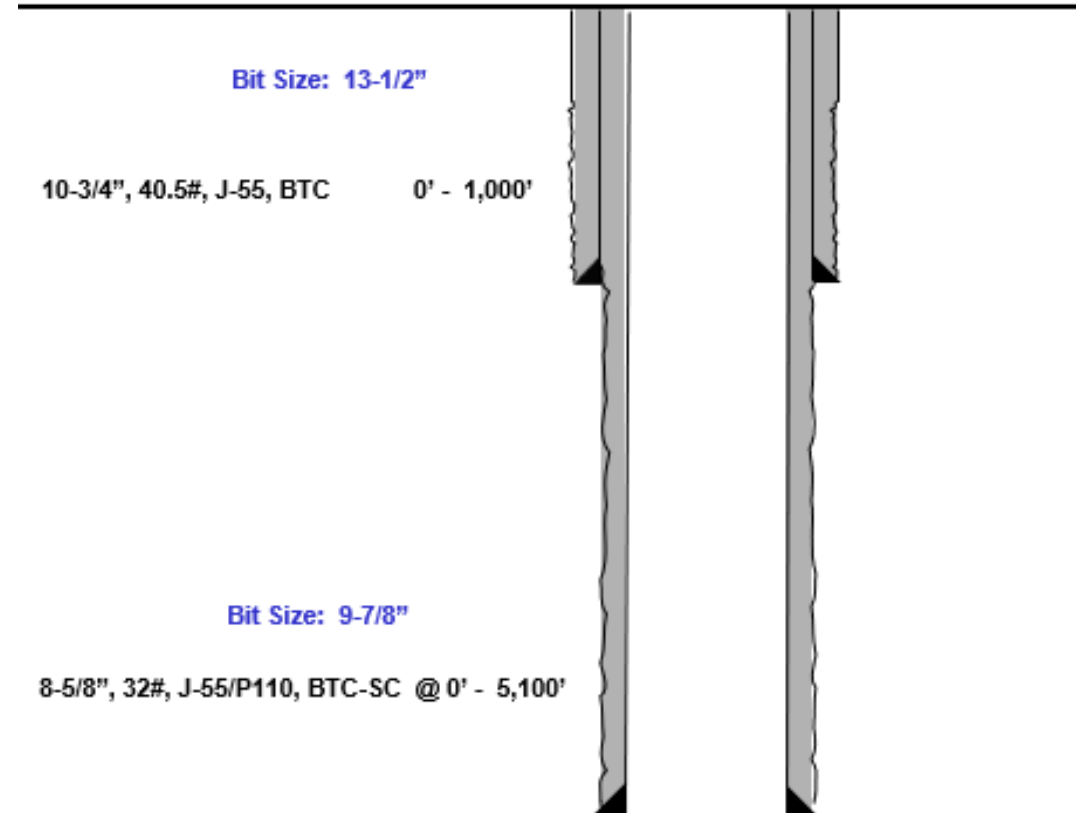




# Design B

## Proposed 9.875" Hole with 8.625" 32# J55/P110 BTC-SC Casing

- 9.875" Bit + 0.42" Average hole enlargement = 10.295" Hole Size
  - 0.835" Clearance to casing OD
 
$$= \frac{10.295 - 8.625}{2}$$
  - 0.585" Clearance to coupling OD
 
$$= \frac{10.295 - 9.125}{2}$$
- Previous Shoe – 10.75" 40.5# J55 STC
  - 0.4625" Clearance to coupling OD (~1,200' overlap)
 
$$= \frac{10.05 - 9.125}{2}$$





# Index



# Casing Spec Sheets

## PERFORMANCE DATA

API LTC                                      9.625 in                      40.00 lbs/ft                      K55 HC  
 Technical Data Sheet

### Tubular Parameters

Size	9.625	in	Minimum Yield	55	ksi
Nominal Weight	40.00	lbs/ft	Minimum Tensile	95	ksi
Grade	K55 HC		Yield Load	629	kips
PE Weight	38.94	lbs/ft	Tensile Load	1088	kips
Wall Thickness	0.395	in	Min. Internal Yield Pressure	3,950	psi
Nominal ID	8.835	in	Collapse Pressure	3600	psi
Drift Diameter	8.750	in			
Nom. Pipe Body Area	11.454	in <sup>2</sup>			

### Connection Parameters

Connection OD	10.625	in
Coupling Length	10.500	in
Threads Per Inch	8	tpi
Standoff Thread Turns	3.50	turns
Make-Up Loss	4.750	in
Min. Internal Yield Pressure	3,950	psi

## Pipe Body and API Connections Performance Data

13.375 54.50/0.380 J55

PDF

New Search »

« Back to Previous List

USC  Metric

6/8/2015 10:04:37 AM

Mechanical Properties	Pipe	BTC	LTC	STC	
Minimum Yield Strength	55,000	--	--	--	psi
Maximum Yield Strength	80,000	--	--	--	psi
Minimum Tensile Strength	75,000	--	--	--	psi
Dimensions	Pipe	BTC	LTC	STC	
Outside Diameter	13.375	14.375	--	14.375	in.
Wall Thickness	0.380	--	--	--	in.
Inside Diameter	12.615	12.615	--	12.615	in.
Standard Drift	12.459	12.459	--	12.459	in.
Alternate Drift	--	--	--	--	in.
Nominal Linear Weight, T&C	54.50	--	--	--	lbs/ft
Plain End Weight	52.79	--	--	--	lbs/ft
Performance	Pipe	BTC	LTC	STC	
Minimum Collapse Pressure	1,130	1,130	--	1,130	psi
Minimum Internal Yield Pressure	2,740	2,740	--	2,740	psi
Minimum Pipe Body Yield Strength	853.00	--	--	--	1000 lbs
Joint Strength	--	909	--	514	1000 lbs
Reference Length	--	11,125	--	6,290	ft
Make-Up Data	Pipe	BTC	LTC	STC	
Make-Up Loss	--	4.81	--	3.50	in.
Minimum Make-Up Torque	--	--	--	3,860	ft-lbs
Maximum Make-Up Torque	--	--	--	6,430	ft-lbs

# Casing Spec Sheets

## Pipe Body and API Connections Performance Data

10.750 40.50/0.350 J55

PDF

New Search »

« Back to Previous List

USC  Metric

6/8/2015 10:14:05 AM

Mechanical Properties	Pipe	BTC	LTC	STC	
Minimum Yield Strength	55,000	--	--	--	psi
Maximum Yield Strength	80,000	--	--	--	psi
Minimum Tensile Strength	75,000	--	--	--	psi
Dimensions	Pipe	BTC	LTC	STC	
Outside Diameter	10.750	11.750	--	11.750	in.
Wall Thickness	0.350	--	--	--	in.
Inside Diameter	10.050	10.050	--	10.050	in.
Standard Drift	9.894	9.894	--	9.894	in.
Alternate Drift	--	--	--	--	in.
Nominal Linear Weight, T&C	40.50	--	--	--	lbs/ft
Plain End Weight	38.91	--	--	--	lbs/ft
Performance	Pipe	BTC	LTC	STC	
Minimum Collapse Pressure	1,580	1,580	--	1,580	psi
Minimum Internal Yield Pressure	3,130	3,130	--	3,130	psi
Minimum Pipe Body Yield Strength	629.00	--	--	--	1000 lbs
Joint Strength	--	700	--	420	1000 lbs
Reference Length	--	11,522	--	6,915	ft
Make-Up Data	Pipe	BTC	LTC	STC	
Make-Up Loss	--	4.81	--	3.50	in.
Minimum Make-Up Torque	--	--	--	3,150	ft-lbs
Maximum Make-Up Torque	--	--	--	5,250	ft-lbs



### API 5CT, 10th Ed. Connection Data Sheet

O.D. (in)	WEIGHT (lb/ft)	WALL (in)	GRADE	*API DRIFT (in)	RBW %
8.625	Nominal: 32.00 Plain End: 31.13	0.352	J55	7.796	87.5

#### Material Properties (PE)

##### Pipe

Minimum Yield Strength:	55 ksi
Maximum Yield Strength:	80 ksi
Minimum Tensile Strength:	75 ksi

##### Coupling

Minimum Yield Strength:	55 ksi
Maximum Yield Strength:	80 ksi
Minimum Tensile Strength:	75 ksi

#### Pipe Body Data (PE)

##### Geometry

Nominal ID:	7.92 inch
Nominal Area:	9.149 in <sup>2</sup>
*Special/Alt. Drift:	7.875 inch

##### Performance

Pipe Body Yield Strength:	503 kips
Collapse Resistance:	2,530 psi
Internal Yield Pressure: (API Historical)	3,930 psi

#### API Connection Data

Coupling OD: 9.625"

##### STC Performance

STC Internal Pressure:	3,930 psi
STC Joint Strength:	372 kips

##### LTC Performance

LTC Internal Pressure:	3,930 psi
LTC Joint Strength:	417 kips

##### SC-BTC Performance - Cplg OD = 9.125"

BTC Internal Pressure:	3,930 psi
BTC Joint Strength:	503 kips

#### API Connection Torque

##### STC Torque (ft-lbs)

Min:	2,793	Opti:	3,724	Max:	4,655
------	-------	-------	-------	------	-------

##### LTC Torque (ft-lbs)

Min:	3,130	Opti:	4,174	Max:	5,217
------	-------	-------	-------	------	-------

##### BTC Torque (ft-lbs)

follow API guidelines regarding positional make up

\*Alt. Drift will be used unless API Drift is specified on order.

\*\*If above API connections do not suit your needs, VAM® premium connections are available up to 100% of pipe body ratings.

ALL INFORMATION IS PROVIDED BY VALLOUREC OR ITS AFFILIATES AT USER'S SOLE RISK, WITHOUT LIABILITY FOR LOSS, DAMAGE OR INJURY RESULTING FROM THE USE THEREOF, AND ON AN "AS IS" BASIS WITHOUT WARRANTY OR REPRESENTATION OF ANY KIND, WHETHER EXPRESS OR IMPLIED, INCLUDING WITHOUT LIMITATION ANY WARRANTY OF MERCHANTABILITY, FITNESS FOR PURPOSE, ACCURACY OR COMPLETENESS. THE INFORMATION CONTAINED IN THIS DOCUMENT IS PROVIDED FOR INFORMATIONAL PURPOSES ONLY AND IS BASED ON ESTIMATES THAT HAVE NOT BEEN VERIFIED OR TESTED. IN NO EVENT SHALL VALLOUREC OR ITS AFFILIATES BE RESPONSIBLE FOR ANY INDIRECT, SPECIAL, INCIDENTAL, PUNITIVE, EXEMPLARY OR CONSEQUENTIAL LOSS OR DAMAGE (INCLUDING WITHOUT LIMITATION, LOSS OF USE, LOSS OF BARGAIN, LOSS OF REVENUE, PROFIT OR ANTICIPATED PROFIT) HOWEVER CAUSED OR ARISING, AND WHETHER SUCH LOSSES OR DAMAGES WERE FORESEEABLE OR VALLOUREC OR ITS AFFILIATES WERE ADVISED OF THE POSSIBILITY OF SUCH DAMAGES.

Rev 3, 7/30/2021

10/21/2022 15:24