

U.S. Department of the Interior  
BUREAU OF LAND MANAGEMENT

Well Name	Well Number	US Well Number	Lease Number	Case Number	Operator
MR POTATO	831H	3001546419	NMNM088134	NMNM088134	DEVON
MR POTATO	332H	3001546703	NMNM96222	NMNM143623	DEVON
MR POTATO	232H	3001548491	NMNM88134	NMNM88134	DEVON
FULLY LOADED	332H	3001547576	NMNM105213	NMNM143415	DEVON
FULLY LOADED	832H	3001555037	NMNM105213	NMNM143418	DEVON
MR POTATO	621H	3001546424	NMNM88134	NMNM88134	DEVON
MR POTATO	711H	3001546422	NMNM88134	NMNM88134	DEVON
MR POTATO	624H	3001546702	NMNM88134	NMNM88134	DEVON
MR POTATO	825H	3001555061	NMNM88134	NMNM143625	DEVON
FULLY LOADED	331H	3001547551	NMNM105213	NMNM143417	DEVON
MR POTATO	824H	3001555060	NMNM88134	NMNM143625	DEVON
MR POTATO	623H	3001546722	NMNM88134	NMNM143625	DEVON
MR POTATO	712H	3001546720	NMNM88134	NMNM88134	DEVON
MR POTATO	713H	3001547270	NMNM88134	NMNM88134	DEVON
MR POTATO	235H	3001548150	NMNM88134	NMNM88134	DEVON
MR POTATO	233H	3001548147	NMNM88134	NMNM88134	DEVON
MR POTATO	236H	3001553340	NMNM88134	NMNM88134	DEVON
MR POTATO	833H	3001549977	NMNM88134	NMNM88134	DEVON
FULLY LOADED	831H	3001555038	NMNM105213	NMNM143418	DEVON
MR POTATO	331H	3001546425	NMNM96222	NMNM143622	DEVON
FULLY LOADED	621H	3001547548	NMNM105213	NMNM143418	DEVON
FULLY LOADED	821H	3001555039	NMNM105213	NMNM143418	DEVON
MR POTATO	822H	3001546423	NMNM088134	NMNM088134	DEVON
MR POTATO	333H	3001546704	NMNM88134	NMNM143624	DEVON
FULLY LOADED	622H	3001547549	NMNM105213	NMNM143418	DEVON
MR POTATO	234H	3001548148	NMNM88134	NMNM88134	DEVON
FULLY LOADED	621H	3001547577	NMNM105213	NMNM143416	DEVON
FULLY LOADED	622H	3001547578	NMNM105213	NMNM143416	DEVON
MR POTATO	834H	3001549979	NMNM88134	NMNM88134	DEVON
FULLY LOADED	833H	3001555036	NMNM105213	NMNM143418	DEVON

**Notice of Intent**

**Sundry ID:** 2815193

**Type of Submission:** Notice of Intent

**Type of Action:** Other

**Date Sundry Submitted:** 10/03/2024

**Time Sundry Submitted:** 11:43

**Date proposed operation will begin:** 12/01/2024

**Procedure Description:** Sundry submittal at request of CFO. Devon Energy Production Co., L.P. (Devon) respectfully requests approval for a gas lift system regarding the subject wells. Gas will go into a pipeline system designed for gas injection for gas lift systems installed on wells from various reservoirs and leases. Each well within the system will be equipped with an individual injection meter, enabling tracking of injection volumes separate from the gas production of each well. The projected injection volumes are approximately 1,500 MCF per day for each well. Devon acknowledges that this gas is not royalty-free and the concept of beneficial use does not apply in this context. Please see attached supporting documentation.

**Surface Disturbance**

**Is any additional surface disturbance proposed?:** No

**NOI Attachments**

**Procedure Description**

MR\_PH\_AND\_FULLLYL\_MESH\_Gas\_Lift\_PFDv2\_\_1\_\_20241003105535.pdf

**Operator**

I certify that the foregoing is true and correct. Title 18 U.S.C. Section 1001 and Title 43 U.S.C. Section 1212, make it a crime for any person knowingly and willfully to make to any department or agency of the United States any false, fictitious or fraudulent statements or representations as to any matter within its jurisdiction. Electronic submission of Sundry Notices through this system satisfies regulations requiring a

**Operator Electronic Signature:** CHELSEY GREEN

**Signed on:** NOV 07, 2024 01:58 PM

**Name:** DEVON ENERGY PRODUCTION COMPANY LP

**Title:** Regulatory Compliance Professional

**Street Address:** 333 WEST SHERIDAN AVENUE

**City:** OKLAHOMA CITY **State:** OK

**Phone:** (405) 228-8595

**Email address:** CHELSEY.GREEN@DVN.COM

**Field**

**Representative Name:**

**Street Address:**

**City:** **State:** **Zip:**

**Phone:**

**Email address:**

**BLM Point of Contact**

**BLM POC Name:** JONATHON W SHEPARD

**BLM POC Title:** Petroleum Engineer

**BLM POC Phone:** 5752345972

**BLM POC Email Address:** jshepard@blm.gov

**Disposition:** Approved

**Disposition Date:** 12/06/2024

**Signature:** Jonathon Shepard

Form 3160-5  
(June 2019)

UNITED STATES  
DEPARTMENT OF THE INTERIOR  
BUREAU OF LAND MANAGEMENT

FORM APPROVED  
OMB No. 1004-0137  
Expires: October 31, 2021

**SUNDRY NOTICES AND REPORTS ON WELLS**  
**Do not use this form for proposals to drill or to re-enter an abandoned well. Use Form 3160-3 (APD) for such proposals.**

5. Lease Serial No.

6. If Indian, Allottee or Tribe Name

**SUBMIT IN TRIPLICATE - Other instructions on page 2**

7. If Unit of CA/Agreement, Name and/or No.

1. Type of Well

Oil Well     Gas Well     Other

8. Well Name and No.

2. Name of Operator

9. API Well No.

3a. Address

3b. Phone No. (include area code)

10. Field and Pool or Exploratory Area

4. Location of Well (Footage, Sec., T.,R.,M., or Survey Description)

11. Country or Parish, State

**12. CHECK THE APPROPRIATE BOX(ES) TO INDICATE NATURE OF NOTICE, REPORT OR OTHER DATA**

TYPE OF SUBMISSION	TYPE OF ACTION			
<input type="checkbox"/> Notice of Intent	<input type="checkbox"/> Acidize	<input type="checkbox"/> Deepen	<input type="checkbox"/> Production (Start/Resume)	<input type="checkbox"/> Water Shut-Off
<input type="checkbox"/> Subsequent Report	<input type="checkbox"/> Alter Casing	<input type="checkbox"/> Hydraulic Fracturing	<input type="checkbox"/> Reclamation	<input type="checkbox"/> Well Integrity
<input type="checkbox"/> Final Abandonment Notice	<input type="checkbox"/> Casing Repair	<input type="checkbox"/> New Construction	<input type="checkbox"/> Recomplete	<input type="checkbox"/> Other
	<input type="checkbox"/> Change Plans	<input type="checkbox"/> Plug and Abandon	<input type="checkbox"/> Temporarily Abandon	
	<input type="checkbox"/> Convert to Injection	<input type="checkbox"/> Plug Back	<input type="checkbox"/> Water Disposal	

13. Describe Proposed or Completed Operation: Clearly state all pertinent details, including estimated starting date of any proposed work and approximate duration thereof. If the proposal is to deepen directionally or recomplete horizontally, give subsurface locations and measured and true vertical depths of all pertinent markers and zones. Attach the Bond under which the work will be performed or provide the Bond No. on file with BLM/BIA. Required subsequent reports must be filed within 30 days following completion of the involved operations. If the operation results in a multiple completion or recompletion in a new interval, a Form 3160-4 must be filed once testing has been completed. Final Abandonment Notices must be filed only after all requirements, including reclamation, have been completed and the operator has determined that the site is ready for final inspection.)

14. I hereby certify that the foregoing is true and correct. Name (Printed/Typed)

Title

Signature

Date

**THE SPACE FOR FEDERAL OR STATE OFFICE USE**

Approved by

Title

Date

Conditions of approval, if any, are attached. Approval of this notice does not warrant or certify that the applicant holds legal or equitable title to those rights in the subject lease which would entitle the applicant to conduct operations thereon.

Office

Title 18 U.S.C Section 1001 and Title 43 U.S.C Section 1212, make it a crime for any person knowingly and willfully to make to any department or agency of the United States any false, fictitious or fraudulent statements or representations as to any matter within its jurisdiction.

(Instructions on page 2)

## GENERAL INSTRUCTIONS

This form is designed for submitting proposals to perform certain well operations and reports of such operations when completed as indicated on Federal and Indian lands pursuant to applicable Federal law and regulations. Any necessary special instructions concerning the use of this form and the number of copies to be submitted, particularly with regard to local area or regional procedures and practices, are either shown below, will be issued by or may be obtained from the local Federal office.

## SPECIFIC INSTRUCTIONS

*Item 4* - Locations on Federal or Indian land should be described in accordance with Federal requirements. Consult the local Federal office for specific instructions.

*Item 13*: Proposals to abandon a well and subsequent reports of abandonment should include such special information as is required by the local Federal office. In addition, such proposals and reports should include reasons for the abandonment; data on any former or present productive zones or other zones with present significant fluid contents not sealed off by cement or otherwise; depths (top and bottom) and method of placement of cement plugs; mud or other material placed below, between and above plugs; amount, size, method of parting of any casing, liner or tubing pulled and the depth to the top of any tubing left in the hole; method of closing top of well and date well site conditioned for final inspection looking for approval of the abandonment. If the proposal will involve **hydraulic fracturing operations**, you must comply with 43 CFR 3162.3-3, including providing information about the protection of usable water. Operators should provide the best available information about all formations containing water and their depths. This information could include data and interpretation of resistivity logs run on nearby wells. Information may also be obtained from state or tribal regulatory agencies and from local BLM offices.

## NOTICES

The privacy Act of 1974 and the regulation in 43 CFR 2.48(d) provide that you be furnished the following information in connection with information required by this application.

AUTHORITY: 30 U.S.C. 181 et seq., 351 et seq., 25 U.S.C. 396; 43 CFR 3160.

PRINCIPAL PURPOSE: The information is used to: (1) Evaluate, when appropriate, approve applications, and report completion of subsequent well operations, on a Federal or Indian lease; and (2) document for administrative use, information for the management, disposal and use of National Resource lands and resources, such as: (a) evaluating the equipment and procedures to be used during a proposed subsequent well operation and reviewing the completed well operations for compliance with the approved plan; (b) requesting and granting approval to perform those actions covered by 43 CFR 3162.3-2, 3162.3-3, and 3162.3-4; (c) reporting the beginning or resumption of production, as required by 43 CFR 3162.4-1(c) and (d) analyzing future applications to drill or modify operations in light of data obtained and methods used.

ROUTINE USES: Information from the record and/or the record will be transferred to appropriate Federal, State, local or foreign agencies, when relevant to civil, criminal or regulatory investigations or prosecutions in connection with congressional inquiries or to consumer reporting agencies to facilitate collection of debts owed the Government.

EFFECT OF NOT PROVIDING THE INFORMATION: Filing of this notice and report and disclosure of the information is mandatory for those subsequent well operations specified in 43 CFR 3162.3-2, 3162.3-3, 3162.3-4.

The Paperwork Reduction Act of 1995 requires us to inform you that:

The BLM collects this information to evaluate proposed and/or completed subsequent well operations on Federal or Indian oil and gas leases.

Response to this request is mandatory.

The BLM would like you to know that you do not have to respond to this or any other Federal agency-sponsored information collection unless it displays a currently valid OMB control number.

**BURDEN HOURS STATEMENT:** Public reporting burden for this form is estimated to average 8 hours per response, including the time for reviewing instructions, gathering and maintaining data, and completing and reviewing the form. Direct comments regarding the burden estimate or any other aspect of this form to U.S. Department of the Interior, Bureau of Land Management (1004-0137), Bureau Information Collection Clearance Officer (WO-630), 1849 C St., N.W., Mail Stop 401 LS, Washington, D.C. 20240

## Additional Information

### Batch Well Data

MR POTATO HEAD 11-14 FED COM 331H, US Well Number: 3001546425, Case Number: NMNM143622, Lease Number: NMNM96222,  
Operator:DEVON ENERGY PRODUCTION COMPANY LP

MR POTATO HEAD 11-14 FED COM 621H, US Well Number: 3001546424, Case Number: NMNM88134, Lease Number: NMNM88134,  
Operator:DEVON ENERGY PRODUCTION COMPANY LP

MR POTATO HEAD 11-14 FED COM 711H, US Well Number: 3001546422, Case Number: NMNM88134, Lease Number: NMNM88134,  
Operator:DEVON ENERGY PRODUCTION COMPANY LP

MR POTATO HEAD 11-14 FED COM 822H, US Well Number: 3001546423, Case Number: NMNM088134, Lease Number: NMNM088134,  
Operator:DEVON ENERGY PRODUCTION COMPANY LP

MR POTATO HEAD 11-14 FED COM 831H, US Well Number: 3001546419, Case Number: NMNM088134, Lease Number: NMNM088134,  
Operator:DEVON ENERGY PRODUCTION COMPANY LP

MR POTATO HEAD 11-14 FED COM 624H, US Well Number: 3001546702, Case Number: NMNM88134, Lease Number: NMNM88134,  
Operator:DEVON ENERGY PRODUCTION COMPANY LP

MR POTATO HEAD 11-14 FED COM 333H, US Well Number: 3001546704, Case Number: NMNM143624, Lease Number: NMNM88134,  
Operator:DEVON ENERGY PRODUCTION COMPANY LP

MR POTATO HEAD 11-14 FED COM 623H, US Well Number: 3001546722, Case Number: NMNM143625, Lease Number: NMNM88134,  
Operator:DEVON ENERGY PRODUCTION COMPANY LP

MR POTATO HEAD 11-14 FED COM 332H, US Well Number: 3001546703, Case Number: NMNM143623, Lease Number: NMNM96222,  
Operator:DEVON ENERGY PRODUCTION COMPANY LP

MR POTATO HEAD 11-14 FED COM 712H, US Well Number: 3001546720, Case Number: NMNM88134, Lease Number: NMNM88134,  
Operator:DEVON ENERGY PRODUCTION COMPANY LP

MR POTATO HEAD 11-14 FED COM 713H, US Well Number: 3001547270, Case Number: NMNM88134, Lease Number: NMNM88134,  
Operator:DEVON ENERGY PRODUCTION COMPANY LP

FULLY LOADED 12-13 FED COM 331H, US Well Number: 3001547551, Case Number: NMNM143417, Lease Number: NMNM105213,  
Operator:DEVON ENERGY PRODUCTION COMPANY LP

FULLY LOADED 12-13 FED COM 621H, US Well Number: 3001547548, Case Number: NMNM143418, Lease Number: NMNM105213,  
Operator:DEVON ENERGY PRODUCTION COMPANY LP

FULLY LOADED 12-13 FED COM 622H, US Well Number: 3001547549, Case Number: NMNM143418, Lease Number: NMNM105213,

Operator:DEVON ENERGY PRODUCTION COMPANY LP

MR POTATO HEAD 11-14 FED COM 232H, US Well Number: 3001548491, Case Number: NMNM88134, Lease Number: NMNM88134,  
Operator:DEVON ENERGY PRODUCTION COMPANY LP

MR POTATO HEAD 11-14 FED COM 233H, US Well Number: 3001548147, Case Number: NMNM88134, Lease Number: NMNM88134,  
Operator:DEVON ENERGY PRODUCTION COMPANY LP

MR POTATO HEAD 11-14 FED COM 234H, US Well Number: 3001548148, Case Number: NMNM88134, Lease Number: NMNM88134,  
Operator:DEVON ENERGY PRODUCTION COMPANY LP

MR POTATO HEAD 11-14 FED COM 235H, US Well Number: 3001548150, Case Number: NMNM88134, Lease Number: NMNM88134,  
Operator:DEVON ENERGY PRODUCTION COMPANY LP

MR POTATO HEAD 11-14 FED COM 236H, US Well Number: 3001553340, Case Number: NMNM88134, Lease Number: NMNM88134,  
Operator:DEVON ENERGY PRODUCTION COMPANY LP

FULLY LOADED 12-1 FED COM 621H, US Well Number: 3001547577, Case Number: NMNM143416, Lease Number: NMNM105213,  
Operator:DEVON ENERGY PRODUCTION COMPANY LP

FULLY LOADED 12-1 FED COM 332H, US Well Number: 3001547576, Case Number: NMNM143415, Lease Number: NMNM105213,  
Operator:DEVON ENERGY PRODUCTION COMPANY LP

FULLY LOADED 12-1 FED COM 622H, US Well Number: 3001547578, Case Number: NMNM143416, Lease Number: NMNM105213,  
Operator:DEVON ENERGY PRODUCTION COMPANY LP

MR POTATO HEAD 11-14 FED COM 834H, US Well Number: 3001549979, Case Number: NMNM88134, Lease Number: NMNM88134,  
Operator:DEVON ENERGY PRODUCTION COMPANY LP

MR POTATO HEAD 11-14 FED COM 833H, US Well Number: 3001549977, Case Number: NMNM88134, Lease Number: NMNM88134,  
Operator:DEVON ENERGY PRODUCTION COMPANY LP

MR POTATO HEAD 11-14 FED COM 824H, US Well Number: 3001555060, Case Number: NMNM143625, Lease Number: NMNM88134,  
Operator:DEVON ENERGY PRODUCTION COMPANY LP

MR POTATO HEAD 11-14 FED COM 825H, US Well Number: 3001555061, Case Number: NMNM143625, Lease Number: NMNM88134,  
Operator:DEVON ENERGY PRODUCTION COMPANY LP

FULLY LOADED 12-13 FED COM 831H, US Well Number: 3001555038, Case Number: NMNM143418, Lease Number: NMNM105213,  
Operator:DEVON ENERGY PRODUCTION COMPANY LP

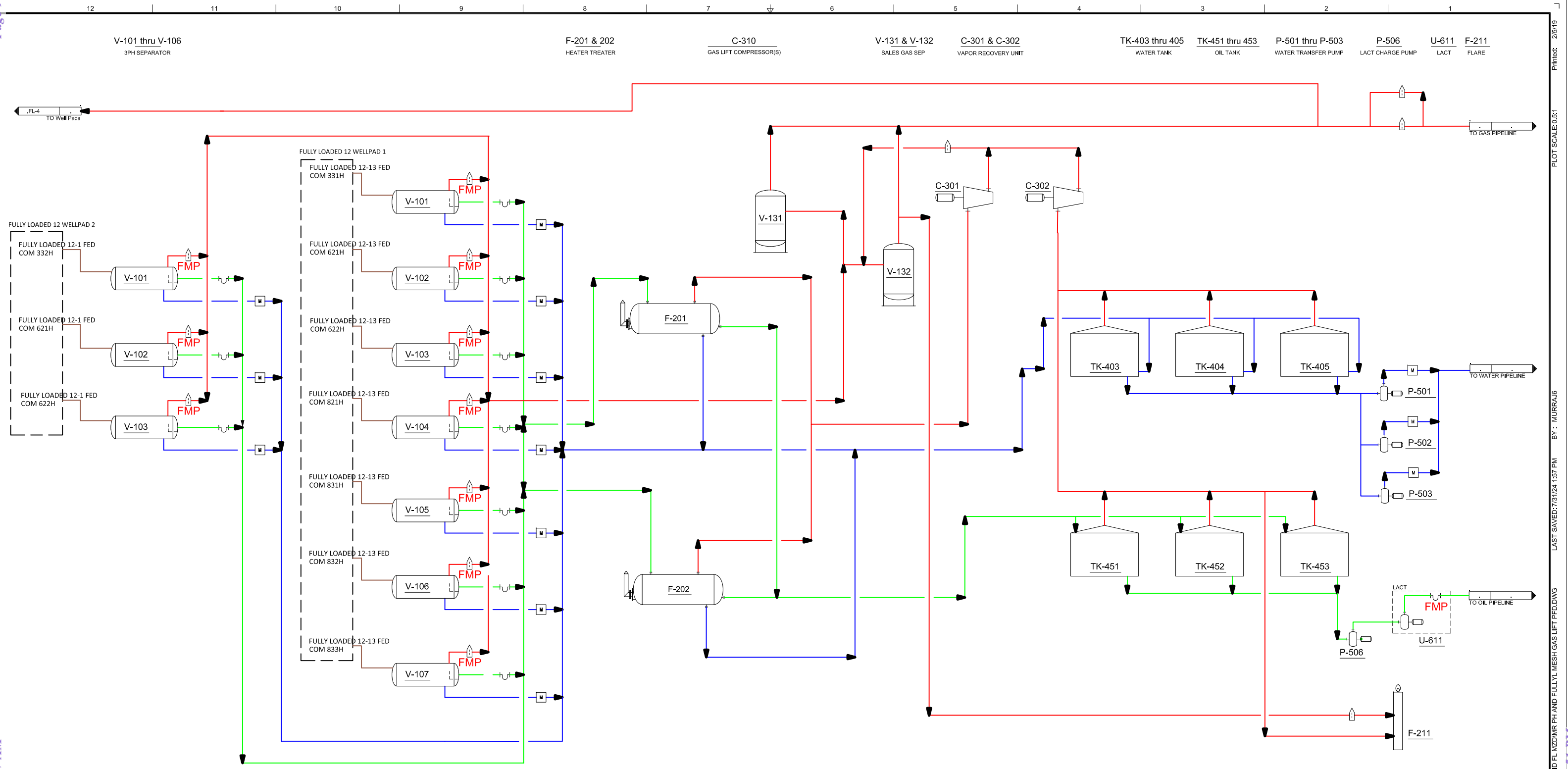
FULLY LOADED 12-13 FED COM 821H, US Well Number: 3001555039, Case Number: NMNM143418, Lease Number: NMNM105213,  
Operator:DEVON ENERGY PRODUCTION COMPANY LP

FULLY LOADED 12-13 FED COM 832H, US Well Number: 3001555037, Case Number: NMNM143418, Lease Number: NMNM105213,  
Operator:DEVON ENERGY PRODUCTION COMPANY LP

FULLY LOADED 12-13 FED COM 833H, US Well Number: 3001555036, Case Number: NMNM143418, Lease Number: NMNM105213,  
Operator:DEVON ENERGY PRODUCTION COMPANY LP

CONFIDENTIAL





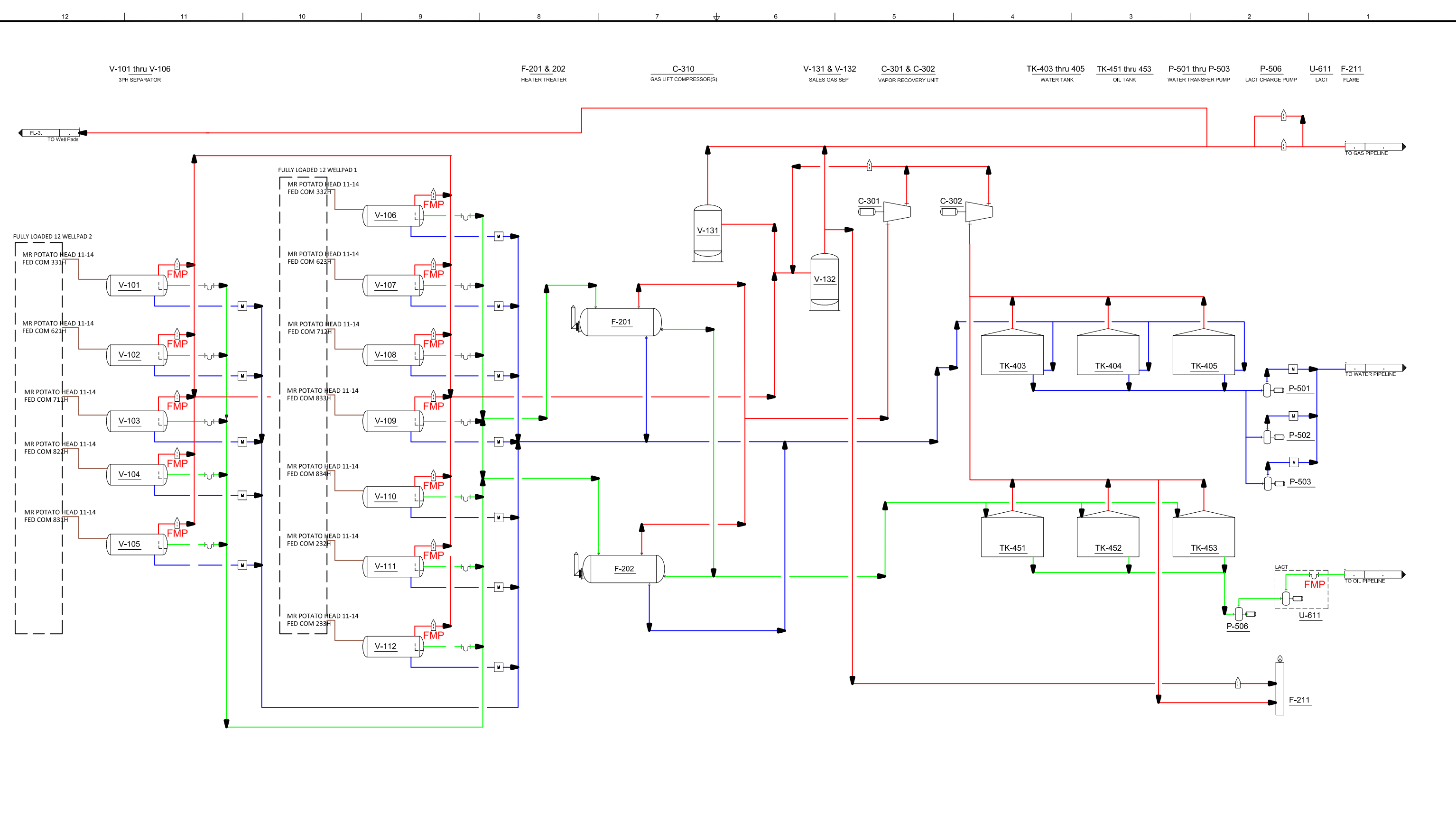
FULLY LOADED 12 CTB 2

LEGEND	
	ORIFICE METER
	CORIOLIS METER
	MAGNETIC METER
	OIL
	GAS
	WATER

DRAWING STATUS			DRAWN BY	DATE
ISSUED FOR	DATE	BY	ENGINEERED BY	DATE
PHA				
BID			APPROVED BY	DATE
CONSTRUCTION				
AS-BUILT				
<b>CONFIDENTIAL</b>			PROJECT No.:	000
This drawing is the property of Devon Energy. Any reproduction, copying or unauthorized use of this drawing, or any part thereof, without the express written consent of Devon Energy is prohibited.			DRAWING No.:	110-01



<b>Devon Energy Corporation</b> 333 West Sheridan Avenue, Oklahoma City, OK 73102-5015	
<b>DBBU STANDARD P&amp;ID'S</b> <b>SYMBOLS &amp; ABBREVIATIONS</b>	
FILE NAME	REV
MR PH AND FULLY L MESH Gas Lift PFD	C



V-101 thru V-106  
 3PH SEPARATOR

F-201 & 202  
 HEATER TREATER

C-310  
 GAS LIFT COMPRESSOR(S)

V-131 & V-132  
 SALES GAS SEP

C-301 & C-302  
 VAPOR RECOVERY UNIT

TK-403 thru 405  
 WATER TANK

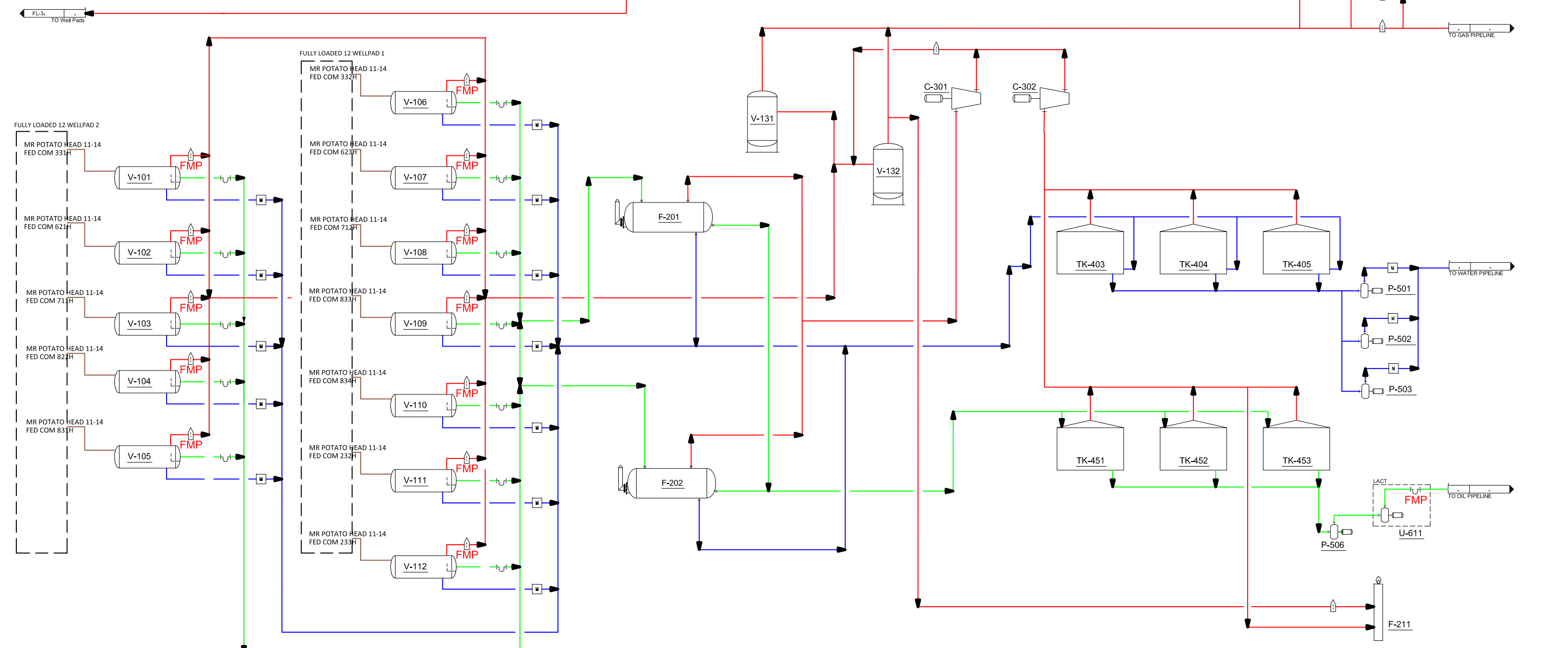
TK-451 thru 453  
 OIL TANK

P-501 thru P-503  
 WATER TRANSFER PUMP

P-506  
 LACT CHARGE PUMP

U-611  
 LACT

F-211  
 FLARE



MR POTATO HEAD 11 CTB 3

LEGEND

	ORIFICE METER		OIL
	CORIOLIS METER		GAS
	MAGNETIC METER		WATER

DRAWING STATUS			DRAWN BY	DATE
ISSUED FOR	DATE	BY	ENGINEERED BY	DATE
PHA			APPROVED BY	DATE
BID				
CONSTRUCTION				
AS-BUILT				
<b>CONFIDENTIAL</b>			PROJECT No.:	000
This drawing is the property of Devon Energy. Any reproduction, copying or unauthorized use of this drawing, or any part thereof, without the express written consent of Devon Energy is prohibited.			DRAWING No.:	110-01

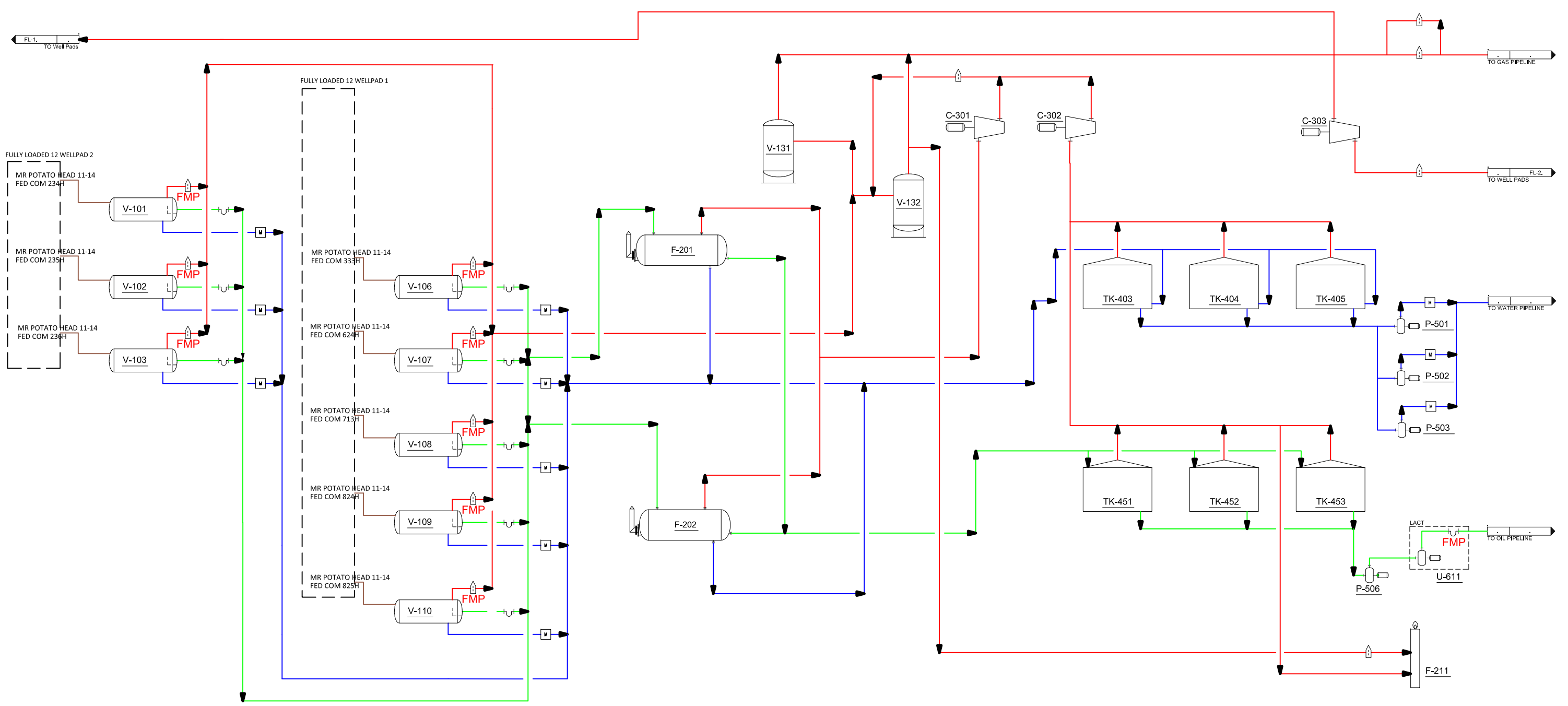


**Devon Energy Corporation**  
 333 West Sheridan Avenue, Oklahoma City, OK 73102-5015  
**DBBU STANDARD P&ID'S  
 SYMBOLS & ABBREVIATIONS**

FILE NAME	MR PH AND FULLYL MESH Gas Lift PFD	REV	C
-----------	------------------------------------	-----	---

Received by OGD: 12/9/2024 10:35:57 AM  
 Page 11 of 13  
 L:\CENTRAL\COMMON\MURRAY\CGI\_PROJECT\MESH\GILMR PH AND FL MZDMR PH AND FULLYL MESH GAS LIFT PFD.DWG  
 LAST SAVED: 7/31/24 1:57 PM  
 BY: MURRAY6  
 PLOT SCALE: 0.51  
 2/6/19

V-101 thru V-106 3PH SEPARATOR  
 F-201 & 202 HEATER TREATER  
 C-310 GAS LIFT COMPRESSOR(S)  
 V-131 & V-132 SALES GAS SEP  
 C-301 - C-303 VAPOR RECOVERY UNIT  
 TK-403 thru 405 WATER TANK  
 TK-451 thru 453 OIL TANK  
 P-501 thru P-503 WATER TRANSFER PUMP  
 P-506 LACT CHARGE PUMP  
 U-611 LACT  
 F-211 FLARE



MR POTATO HEAD 11 CTB 4

LEGEND

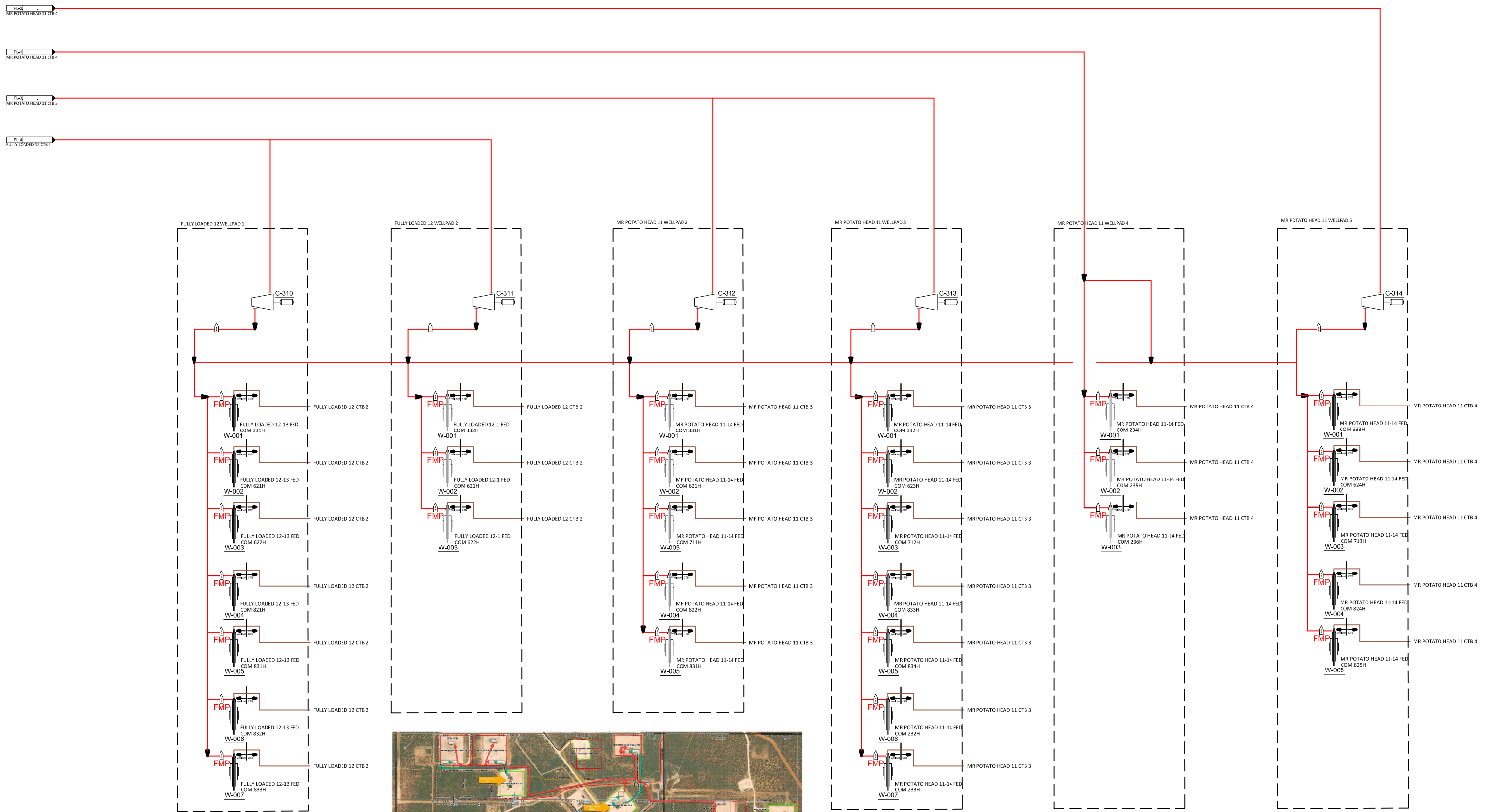
	ORIFICE METER		OIL
	CORIOLIS METER		GAS
	MAGNETIC METER		WATER

DRAWING STATUS			DRAWN BY	DATE
ISSUED FOR	DATE	BY	ENGINEERED BY	DATE
PHA				
BID			APPROVED BY	DATE
CONSTRUCTION				
AS-BUILT				
<b>CONFIDENTIAL</b>			PROJECT No.:	000
This drawing is the property of Devon Energy. Any reproduction, copying or unauthorized use of this drawing, or any part thereof, without the express written consent of Devon Energy is prohibited.			DRAWING No.:	110-01



<b>Devon Energy Corporation</b> 333 West Sheridan Avenue, Oklahoma City, OK 73102-5015	
<b>DBBU STANDARD P&amp;ID'S</b> <b>SYMBOLS &amp; ABBREVIATIONS</b>	
FILE NAME	REV
MR PH AND FULLYL MESH Gas Lift PFD	C

Received by OGD: 12/9/2024 10:35:57 AM  
 Page 12 of 13  
 L:\CENTRAL\COMMON\MURRAY\CGI\_PROJECT\MESH\GAS LIFT PH AND FULLY L MZD\MR PH AND FULLY L MESH GAS LIFT PFD.DWG  
 LAST SAVED: 7/31/24 1:57 PM  
 BY: MURRAYB  
 PLOT SCALE: 0.51  
 2/8/19



DRAWING STATUS			DRAWN BY	DATE
ISSUED FOR	DATE	BY	ENGINEERED BY	DATE
PHA			APPROVED BY	DATE
BID			PROJECT No.:	000
CONSTRUCTION			DRAWING No.:	110-01
AS-BUILT				



**Devon Energy Corporation**  
 333 West Sheridan Avenue, Oklahoma City, OK 73102-5015  
**DBBU STANDARD P&ID'S**  
**SYMBOLS & ABBREVIATIONS**  
 FILE NAME: MR PH AND FULLY L MESH Gas Lift PFD  
 REV: C

**CONFIDENTIAL**  
 This drawing is the property of Devon Energy. Any reproduction, copying or unauthorized use of this drawing, or any part thereof, without the express written consent of Devon Energy is prohibited.

Sante Fe Main Office  
Phone: (505) 476-3441

General Information  
Phone: (505) 629-6116

Online Phone Directory  
<https://www.emnrd.nm.gov/oecd/contact-us>

**State of New Mexico**  
**Energy, Minerals and Natural Resources**  
**Oil Conservation Division**  
**1220 S. St Francis Dr.**  
**Santa Fe, NM 87505**

CONDITIONS

Action 409862

**CONDITIONS**

Operator: DEVON ENERGY PRODUCTION COMPANY, LP 333 West Sheridan Ave. Oklahoma City, OK 73102	OGRID: 6137
	Action Number: 409862
	Action Type: [C-103] NOI General Sundry (C-103X)

**CONDITIONS**

Created By	Condition	Condition Date
dmcclure	ACCEPTED FOR RECORD ONLY. No later than 30 days after the initial installation of artificial lift in a well or altering the type of artificial lift in a well thereafter, the operator shall submit a subsequent report to the Division detailing that work in accordance with 19.15.7.14 NMAC. The subsequent report shall be submitted as a [C-103] Sub. Workover (C-103R).	2/28/2025