

Submit 1 Copy To Appropriate District Office
District I - (575) 393-6161
1625 N. French Dr., Hobbs, NM 88240
District II - (575) 748-1283
811 S. First St., Artesia, NM 88210
District III - (505) 334-6178
1000 Rio Brazos Rd., Aztec, NM 87410
District IV - (505) 476-3460
1220 S. St. Francis Dr., Santa Fe, NM 87505

State of New Mexico
Energy, Minerals and Natural Resources

Form C-103
Revised July 18, 2013

OIL CONSERVATION DIVISION
1220 South St. Francis Dr.
Santa Fe, NM 87505

WELL API NO. 30-025-44148
5. Indicate Type of Lease STATE [X] FEE [ ]
6. State Oil & Gas Lease No. VB-2837 VB-2060
7. Lease Name or Unit Agreement Name TOQUE STATE COM
8. Well Number 501H
9. OGRID Number 228937
10. Pool name or Wildcat WC-025 G-08 S213304D; Bone Spring
11. Elevation (Show whether DR, RKB, RT, GR, etc.) 3795'

SUNDRY NOTICES AND REPORTS ON WELLS
(DO NOT USE THIS FORM FOR PROPOSALS TO DRILL OR TO DEEPEN OR PLUG BACK TO A DIFFERENT RESERVOIR. USE "APPLICATION FOR PERMIT" (FORM C-101) FOR SUCH PROPOSALS.)
1. Type of Well: Oil Well [X] Gas Well [ ] Other [ ]
2. Name of Operator MATADOR PRODUCTION COMPANY
3. Address of Operator One Lincoln Center 5400 LBJ Freeway Suite 1500 Dallas, Texas 75240
4. Well Location Unit Letter K 2514 feet from the SOUTH line and 1760 feet from the WEST line Section 6 Township 21-S Range 33-E NMPM Lea County
11. Elevation (Show whether DR, RKB, RT, GR, etc.) 3795'

12. Check Appropriate Box to Indicate Nature of Notice, Report or Other Data

NOTICE OF INTENTION TO:
PERFORM REMEDIAL WORK [ ] PLUG AND ABANDON [ ]
TEMPORARILY ABANDON [ ] CHANGE PLANS [ ]
PULL OR ALTER CASING [ ] MULTIPLE COMPL [ ]
DOWNHOLE COMMINGLE [ ]
CLOSED-LOOP SYSTEM [ ]
OTHER: [X]
SUBSEQUENT REPORT OF:
REMEDIAL WORK [ ] ALTERING CASING [ ]
COMMENCE DRILLING OPNS. [ ] P AND A [ ]
CASING/CEMENT JOB [ ]
OTHER: [ ]

13. Describe proposed or completed operations. (Clearly state all pertinent details, and give pertinent dates, including estimated date of starting any proposed work). SEE RULE 19.15.7.14 NMAC. For Multiple Completions: Attach wellbore diagram of proposed completion or recompletion.

Attached please find an updated PFD regarding the previously-approved commingling authority under NMOCD Order PLC-677.

Spud Date: [ n/a ]

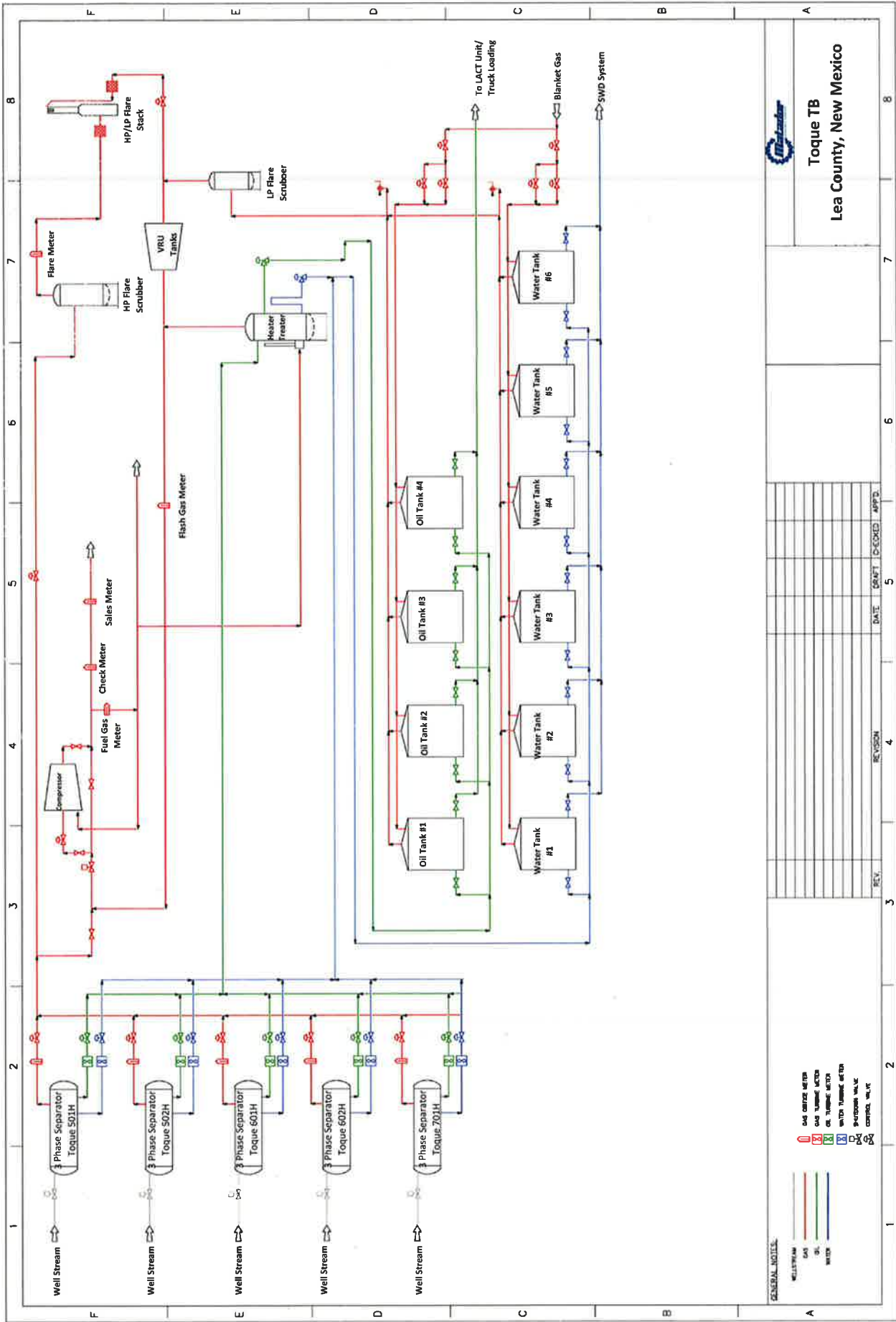
Rig Release Date: [ n/a ]

I hereby certify that the information above is true and complete to the best of my knowledge and belief.

SIGNATURE [ Kyle Perkins ] TITLE VP & Assistant General Counsel DATE 3/1/22

Type or print name Kyle Perkins E-mail address: kperkins@matadorresources.com PHONE: (972) 371-5202
For State Use Only

APPROVED BY: \_\_\_\_\_ TITLE \_\_\_\_\_ DATE \_\_\_\_\_
Conditions of Approval (if any): \_\_\_\_\_



Sante Fe Main Office  
Phone: (505) 476-3441

General Information  
Phone: (505) 629-6116

Online Phone Directory  
<https://www.emnrd.nm.gov/ocd/contact-us>

**State of New Mexico**  
**Energy, Minerals and Natural Resources**  
**Oil Conservation Division**  
**1220 S. St Francis Dr.**  
**Santa Fe, NM 87505**

CONDITIONS

Action 85142

**CONDITIONS**

Operator: MATADOR PRODUCTION COMPANY One Lincoln Centre Dallas, TX 75240	OGRID: 228937
	Action Number: 85142
	Action Type: [C-103] Sub. General Sundry (C-103Z)

**CONDITIONS**

Created By	Condition	Condition Date
sarah.clelland	ACCEPTED FOR RECORD ONLY; any revisions or the addition of wells to the commingling project shall be reported in accordance with the Commingling Order.	4/3/2025