

Form 3160-3
(October 2024)

FORM APPROVED
OMB No. 1004-0137
Expires: October 31, 2027

UNITED STATES
DEPARTMENT OF THE INTERIOR
BUREAU OF LAND MANAGEMENT
APPLICATION FOR PERMIT TO DRILL OR REENTER

| | | |
|---|---------------------------------------|---|
| 1a. Type of work: <input type="checkbox"/> DRILL <input type="checkbox"/> REENTER | | 5. Lease Serial No. |
| 1b. Type of Well: <input type="checkbox"/> Oil Well <input type="checkbox"/> Gas Well <input type="checkbox"/> Other | | 6. If Indian, Allottee or Tribe Name |
| 1c. Type of Completion: <input type="checkbox"/> Hydraulic Fracturing <input type="checkbox"/> Single Zone <input type="checkbox"/> Multiple Zone | | 7. If Unit or CA Agreement, Name and No. |
| 2. Name of Operator | | 8. Lease Name and Well No. |
| 3a. Address | | 9. API Well No. 30-025-56036 |
| 3b. Phone No. (include area code) | | 10. Field and Pool, or Exploratory |
| 4. Location of Well (Report location clearly and in accordance with any State requirements. *) At surface At proposed prod. zone | | 11. Sec., T. R. M. or Blk. and Survey or Area |
| 14. Distance in miles and direction from nearest town or post office* | | 12. County or Parish |
| | | 13. State |
| 15. Distance from proposed* location to nearest property or lease line, ft. (Also to nearest drig. unit line, if any) | 16. No of acres in lease | 17. Spacing Unit dedicated to this well |
| 18. Distance from proposed location* to nearest well, drilling, completed, applied for, on this lease, ft. | 19. Proposed Depth | 20. BLM/BIA Bond No. in file |
| 21. Elevations (Show whether DF, KDB, RT, GL, etc.) | 22. Approximate date work will start* | 23. Estimated duration |
| 24. Attachments | | |

The following, completed in accordance with the requirements of Onshore Oil and Gas Order No. 1, and the Hydraulic Fracturing rule per 43 CFR 3162.3-3 (as applicable)

- | | |
|--|---|
| 1. Well plat certified by a registered surveyor. | 4. Bond to cover the operations unless covered by an existing bond on file (see Item 20 above). |
| 2. A Drilling Plan. | 5. Operator certification. |
| 3. A Surface Use Plan (if the location is on National Forest System Lands, the SUPO must be filed with the appropriate Forest Service Office). | 6. Such other site specific information and/or plans as may be requested by the BLM. |

| | | |
|-------------------------|----------------------|------|
| 25. Signature | Name (Printed/Typed) | Date |
| Title | | |
| Approved by (Signature) | Name (Printed/Typed) | Date |
| Title | Office | |

Application approval does not warrant or certify that the applicant holds legal or equitable title to those rights in the subject lease which would entitle the applicant to conduct operations thereon.
Conditions of approval, if any, are attached.

Title 18 U.S.C. Section 1001 and Title 43 U.S.C. Section 1212, make it a crime for any person knowingly and willfully to make to any department or agency of the United States any false, fictitious or fraudulent statements or representations as to any matter within its jurisdiction.



(Continued on page 2)

*(Instructions on page 2)

| | | |
|---|--|--|
| C-102 Submit Electronically Via OCD Permitting | of New Mexico Energy, Minerals & Natural Resources Department OIL CONSERVATION DIVISION | Revised July, 2024 Submittal Type: <input checked="" type="checkbox"/> Initial Submittal <input type="checkbox"/> Amended Report <input type="checkbox"/> As Drilled |
|---|--|--|

WELL LOCATION INFORMATION

| | | |
|--|---|--|
| API Number 30-025-56036 | Pool Code 72863 72860 | Pool Name BRADLEY;WOLFCAMP (GAS) |
| Property Code 338916 | Property Name GREEN WAVE 17-32 FEDERAL COM | Well Number 843H |
| OGRID No. 6137 | Operator Name DEVON ENERGY PRODUCTION COMPANY, L.P. | Ground Level Elevation 3337.6' |
| Surface Owner: <input type="checkbox"/> State <input type="checkbox"/> Fee <input type="checkbox"/> Tribal <input checked="" type="checkbox"/> Federal | | Mineral Owner: <input type="checkbox"/> State <input type="checkbox"/> Fee <input type="checkbox"/> Tribal <input checked="" type="checkbox"/> Federal |

Surface Location

| UL | Section | Township | Range | Lot | Ft. from N/S | Ft. from E/W | Latitude | Longitude | County |
|----|---------|----------|-------|-----|--------------|--------------|-----------|------------|--------|
| B | 17 | 26-S | 34-E | | 779' N | 1330' E | 32.048555 | 103.487666 | LEA |

Bottom Hole Location

| UL | Section | Township | Range | Lot | Ft. from N/S | Ft. from E/W | Latitude | Longitude | County |
|----|---------|----------|-------|-----|--------------|--------------|-----------|------------|--------|
| | 32 | 26-S | 34-E | 1 | 20' S | 1071' E | 32.000326 | 103.486787 | LEA |

| | | | | |
|-----------------------------------|--|---------------------------------|---|--------------------------------|
| Dedicated Acres 2224.64 | Infill or Defining Well INFILL | Defining Well API N/A | Overlapping Spacing Unit (Y/N) Y | Consolidation Code C |
| Order Numbers N/A | | | Well setbacks are under Common Ownership: <input type="checkbox"/> Yes <input checked="" type="checkbox"/> No | |

Kick Off Point (KOP)

| UL | Section | Township | Range | Lot | Ft. from N/S | Ft. from E/W | Latitude | Longitude | County |
|----|---------|----------|-------|-----|--------------|--------------|-----------|------------|--------|
| A | 17 | 26-S | 34-E | | 50' N | 1071' E | 32.050559 | 103.486830 | LEA |

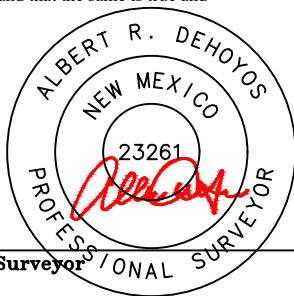
First Take Point (FTP)

| UL | Section | Township | Range | Lot | Ft. from N/S | Ft. from E/W | Latitude | Longitude | County |
|----|---------|----------|-------|-----|--------------|--------------|-----------|------------|--------|
| A | 17 | 26-S | 34-E | | 100' N | 1071' E | 32.050421 | 103.486830 | LEA |

Last Take Point (LTP)

| UL | Section | Township | Range | Lot | Ft. from N/S | Ft. from E/W | Latitude | Longitude | County |
|----|---------|----------|-------|-----|--------------|--------------|-----------|------------|--------|
| | 32 | 26-S | 34-E | 1 | 100' S | 1071' E | 32.000546 | 103.486787 | LEA |

| | |
|--------------------------------|---------------------------------------|
| Spacing Unit Type HZ | Ground Floor Elevation: N/A |
|--------------------------------|---------------------------------------|

| | |
|---|--|
| <p>OPERATOR CERTIFICATIONS</p> <p>I hereby certify that the information contained herein is true and complete to the best of my knowledge and belief, and, if the well is a vertical or directional well, that this organization either owns a working interest or unleased mineral interest in the land including the proposed bottom hole location or has a right to drill this well at this location pursuant to a contract with an owner of a working interest or unleased mineral interest, or to a voluntary pooling agreement or a compulsory pooling order heretofore entered by the division.</p> <p>If this well is a horizontal well, I further certify that this organization has received the consent of at least one lessee or owner of a working interest or unleased mineral interest in each tract (in the target pool or formation) in which any part of the well's completed interval will be located or obtained a compulsory pooling order from the division.</p> | <p>SURVEYOR CERTIFICATIONS</p> <p>I hereby certify that the well location shown on this plat was plotted from field notes of actual surveys made by me or under supervision, and that the same is true and correct to the best of my belief.</p> <div style="text-align: center;">  </div> |
| Signature <i>Rebecca Deal</i> | Signature and Seal of Professional Surveyor |
| Date 7/2/2025 | |
| Printed Name Rebecca Deal, Regulatory Analyst | Certificate Number 23261 |
| Email Address rebecca.deal@dvn.com | Date of Survey 05/21/2025 |

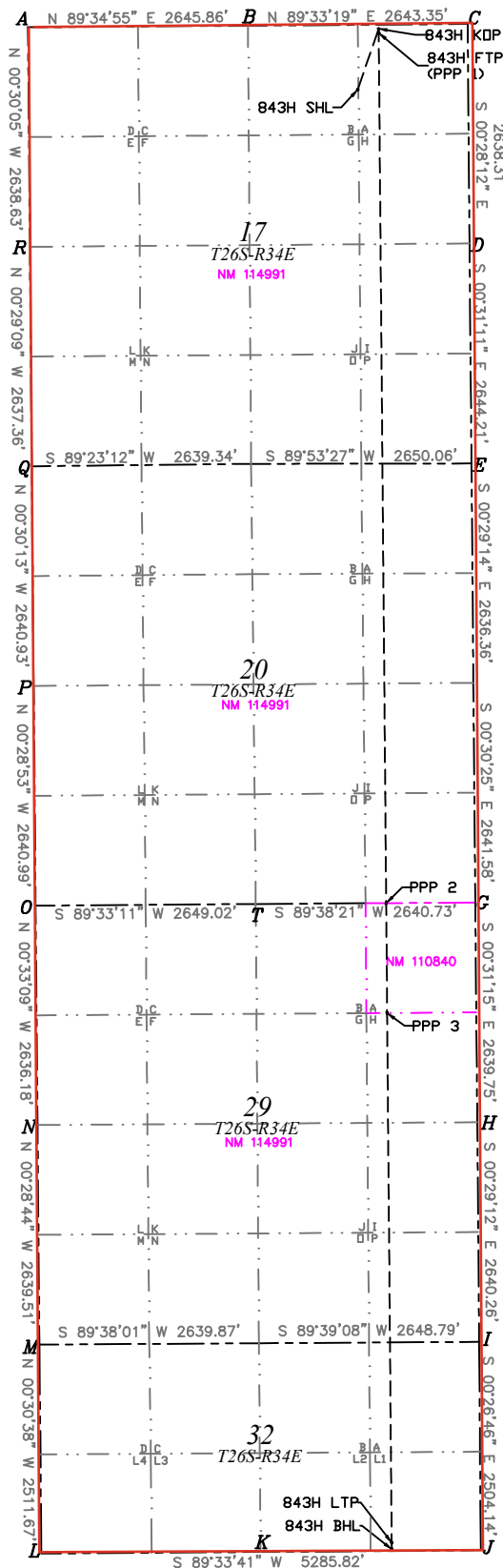
ACREAGE DEDICATION PLATS

This grid represents a standard section. You may superimpose a non-standard section, or larger area, over this grid. Operators must outline the dedicated acreage in a red box, clearly show the well surface location and bottom hole location, if it is directionally drilled, with the dimensions from the section lines in the cardinal directions. If this is a horizontal wellbore show on this plat the location of the First Take Point and Last Take Point, and the point within the Completed interval (other than the First Take Point or Last Take Point) that is closest to any outer boundary of the tract.

Surveyors shall use the latest United States government survey or dependent resurvey. Well locations will be in reference to the New Mexico Principal Meridian. If the land is not surveyed contact the OCD Engineering Bureau. Independent subdivision surveys will not be acceptable.

| |
|---|
| <p>SURFACE HOLE LOCATION GEODETIC COORDINATES NAD 83 NMSP EAST SURFACE LOCATION 779' FNL 1330' FEL SECTION 17 EL: 3337.6' N:392428.34/E:803350.39 LAT:32.048555/LDN:103.487666</p> |
| <p>KICK OFF POINT 50' FNL 1071' FEL SECTION 17 N:383159.34/E:803603.39 LAT:32.050559/LDN:103.486830</p> |
| <p>FIRST TAKE POINT (PPP 1) 100' FNL 1071' FEL SECTION 17 N:383109.34/E:803603.80 LAT:32.050421/LDN:103.486830</p> |
| <p>LAST TAKE POINT 100' FSL 1071' FEL SECTION 32 N:364965.52/E:803759.54 LAT:32.000546/LDN:103.486787</p> |
| <p>BOTTOM HOLE LOCATION 20' FSL 1071' FEL SECTION 32 N:364885.52/E:803760.16 LAT:32.000326/LDN:103.486787</p> |
| <p>PPP 2 0' FNL 1072' FEL SECTION 29 N:372650.85/E:803693.57 LAT:32.021672/LDN:103.486805</p> |
| <p>PPP 3 1320' FNL 1072' FEL SECTION 29 N:371330.58/E:803704.91 LAT:32.018043/LDN:103.486802</p> |

| |
|---------------------------|
| A=N:383177.83/E:799384.88 |
| B=N:383197.13/E:802030.67 |
| C=N:383217.65/E:804673.95 |
| D=N:380579.43/E:804695.59 |
| E=N:377935.33/E:804719.58 |
| F=N:375299.07/E:804742.00 |
| G=N:372657.59/E:804765.37 |
| H=N:370017.95/E:804789.36 |
| I=N:367377.78/E:804811.79 |
| J=N:364873.71/E:804831.28 |
| K=N:364853.44/E:802182.24 |
| L=N:364833.25/E:799545.61 |
| M=N:367344.82/E:799523.23 |
| N=N:369984.24/E:799501.17 |
| O=N:372620.30/E:799475.74 |
| P=N:375261.20/E:799453.55 |
| Q=N:377902.03/E:799430.34 |
| R=N:380539.29/E:799407.97 |
| S=N:377930.28/E:802069.52 |
| T=N:372640.97/E:802124.69 |
| U=N:367361.71/E:802163.04 |



State of New Mexico
 Energy, Minerals and Natural Resources Department

Submit Electronically
 Via E-permitting

Oil Conservation Division
 1220 South St. Francis Dr.
 Santa Fe, NM 87505

NATURAL GAS MANAGEMENT PLAN

This Natural Gas Management Plan must be submitted with each Application for Permit to Drill (APD) for a new or recompleted well.

Section 1 – Plan Description Effective May 25, 2021

I. Operator: Devon Energy Production Company, L.P. **OGRID:** 6137 **Date:** 06 / 12 / 2025

II. Type: Original Amendment due to 19.15.27.9.D(6)(a) NMAC 19.15.27.9.D(6)(b) NMAC Other.

If Other, please describe: _____

III. Well(s): Provide the following information for each new or recompleted well or set of wells proposed to be drilled or proposed to be recompleted from a single well pad or connected to a central delivery point.

| Well Name | API | ULSTR | Footages | Anticipated Oil BBL/D | Anticipated Gas MCF/D | Anticipated Produced Water BBL/D |
|--------------|-----|-------|----------|-----------------------|-----------------------|----------------------------------|
| See Attached | | | | | | |
| | | | | | | |

IV. Central Delivery Point Name: GREEN WAVE 17 CTB 1 & GREEN WAVE 17 CTB 2 [See 19.15.27.9(D)(1) NMAC]

V. Anticipated Schedule: Provide the following information for each new or recompleted well or set of wells proposed to be drilled or proposed to be recompleted from a single well pad or connected to a central delivery point.

| Well Name | API | Spud Date | TD Reached Date | Completion Commencement Date | Initial Flow Back Date | First Production Date |
|--------------|-----|-----------|-----------------|------------------------------|------------------------|-----------------------|
| See Attached | | | | | | |
| | | | | | | |

VI. Separation Equipment: Attach a complete description of how Operator will size separation equipment to optimize gas capture.

VII. Operational Practices: Attach a complete description of the actions Operator will take to comply with the requirements of Subsection A through F of 19.15.27.8 NMAC.

VIII. Best Management Practices: Attach a complete description of Operator's best management practices to minimize venting during active and planned maintenance.

Section 2 – Enhanced Plan

EFFECTIVE APRIL 1, 2022

Beginning April 1, 2022, an operator that is not in compliance with its statewide natural gas capture requirement for the applicable reporting area must complete this section.

Operator certifies that it is not required to complete this section because Operator is in compliance with its statewide natural gas capture requirement for the applicable reporting area.

IX. Anticipated Natural Gas Production:

| Well | API | Anticipated Average Natural Gas Rate MCF/D | Anticipated Volume of Natural Gas for the First Year MCF |
|------|-----|--|--|
| | | | |
| | | | |

X. Natural Gas Gathering System (NGGS):

| Operator | System | ULSTR of Tie-in | Anticipated Gathering Start Date | Available Maximum Daily Capacity of System Segment Tie-in |
|----------|--------|-----------------|----------------------------------|---|
| | | | | |
| | | | | |

XI. Map. Attach an accurate and legible map depicting the location of the well(s), the anticipated pipeline route(s) connecting the production operations to the existing or planned interconnect of the natural gas gathering system(s), and the maximum daily capacity of the segment or portion of the natural gas gathering system(s) to which the well(s) will be connected.

XII. Line Capacity. The natural gas gathering system will will not have capacity to gather 100% of the anticipated natural gas production volume from the well prior to the date of first production.

XIII. Line Pressure. Operator does does not anticipate that its existing well(s) connected to the same segment, or portion, of the natural gas gathering system(s) described above will continue to meet anticipated increases in line pressure caused by the new well(s).

Attach Operator’s plan to manage production in response to the increased line pressure.

XIV. Confidentiality: Operator asserts confidentiality pursuant to Section 71-2-8 NMSA 1978 for the information provided in Section 2 as provided in Paragraph (2) of Subsection D of 19.15.27.9 NMAC, and attaches a full description of the specific information for which confidentiality is asserted and the basis for such assertion.

Section 3 - Certifications

Effective May 25, 2021

Operator certifies that, after reasonable inquiry and based on the available information at the time of submittal:

Operator will be able to connect the well(s) to a natural gas gathering system in the general area with sufficient capacity to transport one hundred percent of the anticipated volume of natural gas produced from the well(s) commencing on the date of first production, taking into account the current and anticipated volumes of produced natural gas from other wells connected to the pipeline gathering system; or

Operator will not be able to connect to a natural gas gathering system in the general area with sufficient capacity to transport one hundred percent of the anticipated volume of natural gas produced from the well(s) commencing on the date of first production, taking into account the current and anticipated volumes of produced natural gas from other wells connected to the pipeline gathering system.

If Operator checks this box, Operator will select one of the following:

Well Shut-In. Operator will shut-in and not produce the well until it submits the certification required by Paragraph (4) of Subsection D of 19.15.27.9 NMAC; or

Venting and Flaring Plan. Operator has attached a venting and flaring plan that evaluates and selects one or more of the potential alternative beneficial uses for the natural gas until a natural gas gathering system is available, including:

- (a) power generation on lease;
- (b) power generation for grid;
- (c) compression on lease;
- (d) liquids removal on lease;
- (e) reinjection for underground storage;
- (f) reinjection for temporary storage;
- (g) reinjection for enhanced oil recovery;
- (h) fuel cell production; and
- (i) other alternative beneficial uses approved by the division.

Section 4 - Notices


1. If, at any time after Operator submits this Natural Gas Management Plan and before the well is spud:

(a) Operator becomes aware that the natural gas gathering system it planned to connect the well(s) to has become unavailable or will not have capacity to transport one hundred percent of the production from the well(s), no later than 20 days after becoming aware of such information, Operator shall submit for OCD's approval a new or revised venting and flaring plan containing the information specified in Paragraph (5) of Subsection D of 19.15.27.9 NMAC; or

(b) Operator becomes aware that it has, cumulatively for the year, become out of compliance with its baseline natural gas capture rate or natural gas capture requirement, no later than 20 days after becoming aware of such information, Operator shall submit for OCD's approval a new or revised Natural Gas Management Plan for each well it plans to spud during the next 90 days containing the information specified in Paragraph (2) of Subsection D of 19.15.27.9 NMAC, and shall file an update for each Natural Gas Management Plan until Operator is back in compliance with its baseline natural gas capture rate or natural gas capture requirement.

2. OCD may deny or conditionally approve an APD if Operator does not make a certification, fails to submit an adequate venting and flaring plan which includes alternative beneficial uses for the anticipated volume of natural gas produced, or if OCD determines that Operator will not have adequate natural gas takeaway capacity at the time a well will be spud.

I certify that, after reasonable inquiry, the statements in and attached to this Natural Gas Management Plan are true and correct to the best of my knowledge and acknowledge that a false statement may be subject to civil and criminal penalties under the Oil and Gas Act.

| |
|--|
| Signature:  |
| Printed Name: Jeff Walla |
| Title: Surface Land and Regulatory Manager |
| E-mail Address: Jeff.Walla@dvn.com |
| Date: 7/1/2025 |
| Phone: (405)552-8154 |
| OIL CONSERVATION DIVISION (Only applicable when submitted as a standalone form) |
| Approved By: |
| Title: |
| Approval Date: |
| Conditions of Approval: |

GREEN WAVE 17 CTB 1

| Well Name | API | ULSTR - Footage Calls | Anticipated Gas MCF/D/Oil BBL/D/Produced Water BBL/D |
|-----------------------------------|-----|--------------------------------|--|
| GREEN WAVE 17-32 FEDERAL COM 800H | | 17-26S-34E, 805 FNL & 435 FWL | (+/-)2063mcfd/(+/-)850bopd/(+/-)4110bwpd |
| GREEN WAVE 17-32 FEDERAL COM 801H | | 17-26S-34E, 805 FNL & 525 FWL | (+/-)2063mcfd/(+/-)850bopd/(+/-)4110bwpd |
| GREEN WAVE 17-32 FEDERAL COM 820H | | 17-26S-34E, 805 FNL & 495 FWL | (+/-)2063mcfd/(+/-)850bopd/(+/-)4110bwpd |
| GREEN WAVE 17-32 FEDERAL COM 821H | | 17-26S-34E, 964 FNL & 2236 FWL | (+/-)2063mcfd/(+/-)850bopd/(+/-)4110bwpd |
| GREEN WAVE 17-32 FEDERAL COM 824H | | 17-26S-34E, 964 FNL & 2236 FWL | (+/-)2063mcfd/(+/-)850bopd/(+/-)4110bwpd |
| GREEN WAVE 17-32 FEDERAL COM 840H | | 17-26S-34E, 805 FNL & 465 FWL | (+/-)2063mcfd/(+/-)850bopd/(+/-)4110bwpd |
| GREEN WAVE 17-32 FEDERAL COM 841H | | 17-26S-34E, 964 FNL & 2206 FWL | (+/-)2063mcfd/(+/-)850bopd/(+/-)4110bwpd |

| Well Name | API | Spud Date | TD Reached Date | Completion Commencement Date | Initial Flow Back Date | First Production Date |
|-----------------------------------|-----|-----------|-----------------|------------------------------|------------------------|-----------------------|
| GREEN WAVE 17-32 FEDERAL COM 800H | | 11/19/26 | | 12/19/2026 | 4/18/2027 | 4/18/2027 |
| GREEN WAVE 17-32 FEDERAL COM 801H | | 01/19/27 | | 2/18/2027 | 6/18/2027 | 6/18/2027 |
| GREEN WAVE 17-32 FEDERAL COM 820H | | 10/20/26 | | 11/19/2026 | 3/19/2027 | 3/19/2027 |
| GREEN WAVE 17-32 FEDERAL COM 821H | | 01/24/27 | | 2/23/2027 | 6/23/2027 | 6/23/2027 |
| GREEN WAVE 17-32 FEDERAL COM 824H | | 12/15/26 | | 1/14/2027 | 5/14/2027 | 5/14/2027 |
| GREEN WAVE 17-32 FEDERAL COM 840H | | 12/20/26 | | 1/19/2027 | 5/19/2027 | 5/19/2027 |
| GREEN WAVE 17-32 FEDERAL COM 841H | | 02/23/27 | | 3/25/2027 | 7/23/2027 | 7/23/2027 |

*Dates are approximate and subject to change

GREEN WAVE 17 CTB 2

| Well Name | API | ULSTR - Footage Calls | Anticipated Gas MCF/D/Oil BBL/D/Produced Water BBL/D |
|-----------------------------------|-----|--------------------------------|--|
| GREEN WAVE 17-32 FEDERAL COM 802H | | 17-26S-34E, 964 FNL & 2266 FWL | (+/-)2063mcfd/(+/-)850bopd/(+/-)4110bwpd |
| GREEN WAVE 17-32 FEDERAL COM 803H | | 17-26S-34E, 779 FNL & 1360 FEL | (+/-)2063mcfd/(+/-)850bopd/(+/-)4110bwpd |
| GREEN WAVE 17-32 FEDERAL COM 822H | | 17-26S-34E, 779 FNL & 1390 FEL | (+/-)2063mcfd/(+/-)850bopd/(+/-)4110bwpd |
| GREEN WAVE 17-32 FEDERAL COM 823H | | 17-26S-34E, 779 FNL & 1300 FEL | (+/-)2063mcfd/(+/-)850bopd/(+/-)4110bwpd |
| GREEN WAVE 17-32 FEDERAL COM 842H | | 17-26S-34E, 964 FNL & 2296 FWL | (+/-)2063mcfd/(+/-)850bopd/(+/-)4110bwpd |
| GREEN WAVE 17-32 FEDERAL COM 843H | | 17-26S-34E, 779 FNL & 1330 FEL | (+/-)2063mcfd/(+/-)850bopd/(+/-)4110bwpd |
| GREEN WAVE 17-32 FEDERAL COM 844H | | 17-26S-34E, 864 FNL & 2296 FWL | (+/-)2063mcfd/(+/-)850bopd/(+/-)4110bwpd |

| Well Name | API | Spud Date | TD Reached Date | Completion Commencement Date | Initial Flow Back Date | First Production Date |
|-----------------------------------|-----|------------|-----------------|------------------------------|------------------------|-----------------------|
| GREEN WAVE 17-32 FEDERAL COM 802H | | 12/24/26 | | 1/23/2027 | 5/23/2027 | 5/23/2027 |
| GREEN WAVE 17-32 FEDERAL COM 803H | | 02/03/27 | | 3/5/2027 | 7/3/2027 | 7/3/2027 |
| GREEN WAVE 17-32 FEDERAL COM 822H | | 03/06/27 | | 4/5/2027 | 8/3/2027 | 8/3/2027 |
| GREEN WAVE 17-32 FEDERAL COM 823H | | 12/05/26 | | 1/4/2027 | 5/4/2027 | 5/4/2027 |
| GREEN WAVE 17-32 FEDERAL COM 842H | | 11/24/26 | | 12/24/2026 | 4/23/2027 | 4/23/2027 |
| GREEN WAVE 17-32 FEDERAL COM 843H | | 01/04/27 | | 2/3/2027 | 6/3/2027 | 6/3/2027 |
| GREEN WAVE 17-32 FEDERAL COM 844H | | 11/30/2026 | | 12/30/2026 | 4/29/2027 | 4/29/2027 |

*Dates are approximate and subject to change



VI. Separation Equipment

Devon Energy Production Company, L.P. utilizes a "stage separation" process in which oil and gas separation is carried out through a series of separators operating at successively reduced pressures. Hydrocarbon liquids are produced into a high-pressure inlet separator, then carried through one or more lower pressure separation vessels before entering the storage tanks. The purpose of this separation process is to attain maximum recovery of liquid hydrocarbons from the fluids and allow maximum capture of produced gas into the sales pipeline. Devon utilizes a series of Low-Pressure Compression units to capture gas off the staged separation and send it to the sales pipeline. This process minimizes the amount of flash gas that enters the end-stage storage tanks that is subsequently vented or flared.



VII. Operational Practices

Devon Energy Production Company, L. P. will employ best management practices and control technologies to maximize the recovery and minimize waste of natural gas through venting and flaring.

- During drilling operations, Devon will utilize flares and/or combustors to capture and control natural gas, where technically feasible. If flaring is deemed technically in-feasible, Devon will employ best management practices to minimize or reduce venting to the extent possible.
- During completions operations, Devon will utilize Green Completion methods to capture gas produced during well completions that is otherwise vented or flared. If capture is technically in-feasible, flares and/or combustors will be used to capture and control flow back fluids entering into frac tanks during initial flowback. Upon indication of first measurable hydrocarbon volumes, Devon will turn operations to onsite separation vessels and flow to the gathering pipeline.
- During production operations, Devon will take every practical effort to minimize waste of natural gas through venting and flaring by:
 - Designing and constructing facilities in a manner consistent to achieve maximum capture and control of hydrocarbon liquids & produced gas
 - Utilizing a closed-loop capture system to collect and route produced gas to sales line via low pressure compression, or to a flare/combustor
 - Flaring in lieu of venting, where technically feasible
 - Utilizing auto-ignitors or continuous pilots, with thermocouples connected to Scada, to quickly detect and resolve issues related to malfunctioning flares/combustors
 - Employ the use of automatic tank gauging to minimize storage tank venting during loading events
 - Installing air-driven or electric-driven pneumatics & combustion engines, where technically feasible to minimize venting to the atmosphere
 - Confirm equipment is properly maintained and repaired through a preventative maintenance and repair program to ensure equipment meets all manufacturer specifications
 - Conduct and document AVO inspections on the frequency set forth in Part 27 to detect and repair any onsite leaks as quickly and efficiently as is feasible



VIII. Best Management Practices during Maintenance

Devon Energy Production Company, L.P. will utilize best management practices to minimize venting during active and planned maintenance activities. Devon is operating under guidance that production facilities permitted under NOI permits have no provisions to allow high pressure flaring and high pressure flaring is only allowed in disruption scenarios so long as the duration is less than eight hours. When technically feasible, flaring during maintenance activities will be utilized in lieu of venting to the atmosphere. Devon will work with third-party operators during scheduled maintenance of downstream pipeline or processing plants to address those events ahead of time to minimize venting. Actions considered include identifying alternative capture approaches or planning to temporarily reduce production or shut in the well to address these circumstances.



Devon Energy Production Company, L.P.
 333 W. Sheridan Avenue
 Oklahoma City, Oklahoma
 73102
 Phone: (405) 228-4800

WASTE MINIMIZATION PLAN

Per 89 FR 25378 - Waste Prevention, Production Subject to Royalties, and Resource Conservation, requirements:

- (1) initial oil production estimates and decline,
- (2) initial gas production estimates and decline,
- (3) certification that the operator has an executed gas sales contract to sell 100 percent of the produced oil-well gas, and
- (4) any other information demonstrating the operator's plans to avoid the waste of gas.

(1), (2) 3 year Oil and Gas decline curves: Bone Spring and Wolfcamp formation decline curves below supply Year 1, 2, 3 cumulative values for oil and gas, in range format; based on peak IP rates for oil and gas based on Devon Energy Production Company, L.P. operated wells ID post 1/2019, 10K LL norm, P90-10 ranges, annualized rates. Please refer to NGMP for table of initial oil and gas volumes.

Bone Spring

| Formation | BONE SPRING | | |
|--------------------|------------------------------------|--|--|
| Row Labels | Average of Oil Lease Volumes [bbl] | Average of Raw Gas Lease Volumes [McF] | |
| 1 | 19,395 | 42,532 | |
| 2 | 25,235 | 96,620 | |
| 3 | 27,075 | 67,525 | |
| 4 | 21,078 | 57,655 | |
| 5 | 18,900 | 51,655 | |
| 6 | 15,820 | 46,275 | |
| 7 | 13,959 | 42,295 | |
| 8 | 12,424 | 38,696 | |
| 9 | 11,573 | 37,367 | |
| 10 | 10,659 | 35,824 | |
| 11 | 9,741 | 33,980 | |
| 12 | 9,337 | 33,094 | |
| 13 | 8,588 | 30,966 | |
| 14 | 8,233 | 30,638 | |
| 15 | 7,655 | 29,293 | |
| 16 | 7,196 | 27,837 | |
| 17 | 6,769 | 25,691 | |
| 18 | 6,391 | 24,902 | |
| 19 | 6,288 | 24,863 | |
| 20 | 6,089 | 23,769 | |
| 21 | 5,776 | 23,100 | |
| 22 | 5,411 | 22,178 | |
| 23 | 5,101 | 21,196 | |
| 24 | 5,029 | 20,988 | |
| 25 | 4,740 | 20,122 | |
| 26 | 4,529 | 19,322 | |
| 27 | 4,478 | 18,623 | |
| 28 | 4,424 | 18,634 | |
| 29 | 4,241 | 18,585 | |
| 30 | 4,194 | 18,114 | |
| 31 | 4,105 | 17,870 | |
| 32 | 3,526 | 17,440 | |
| 33 | 3,782 | 16,732 | |
| 34 | 3,649 | 16,145 | |
| 35 | 3,576 | 15,571 | |
| 36 | 3,596 | 15,727 | |
| Grand Total | 9,261 | 30,347 | |



Wolfcamp

| Formation | WOLF CAMP | | |
|--------------------|------------------------------------|--|--|
| Row Labels | Average of Oil Lease Volumes [bbl] | Average of Raw Gas Lease Volumes [McF] | |
| 1 | 20,900 | 68,190 | |
| 2 | 28,696 | 125,577 | |
| 3 | 29,291 | 97,071 | |
| 4 | 23,540 | 81,026 | |
| 5 | 19,277 | 67,504 | |
| 6 | 16,103 | 57,289 | |
| 7 | 14,454 | 51,967 | |
| 8 | 13,083 | 47,226 | |
| 9 | 11,979 | 43,012 | |
| 10 | 10,994 | 40,270 | |
| 11 | 10,469 | 40,336 | |
| 12 | 9,779 | 37,823 | |
| 13 | 9,240 | 36,371 | |
| 14 | 8,824 | 34,874 | |
| 15 | 7,883 | 31,771 | |
| 16 | 7,462 | 29,739 | |
| 17 | 7,007 | 29,445 | |
| 18 | 6,847 | 27,480 | |
| 19 | 6,696 | 27,791 | |
| 20 | 6,399 | 26,302 | |
| 21 | 6,154 | 26,419 | |
| 22 | 5,996 | 25,044 | |
| 23 | 5,670 | 24,154 | |
| 24 | 5,393 | 23,334 | |
| 25 | 5,160 | 22,102 | |
| 26 | 5,074 | 22,069 | |
| 27 | 4,986 | 21,678 | |
| 28 | 4,824 | 21,024 | |
| 29 | 4,637 | 19,807 | |
| 30 | 4,480 | 19,172 | |
| 31 | 4,273 | 18,370 | |
| 32 | 4,218 | 18,642 | |
| 33 | 4,201 | 18,901 | |
| 34 | 3,995 | 17,966 | |
| 35 | 3,830 | 17,586 | |
| 36 | 3,815 | 16,957 | |
| Grand Total | 9,895 | 37,606 | |



(3) Certification (NGMP Section 3 – Certification): Operator (Devon Energy Production Company, L.P.) will be able to connect the well(s) to a natural gas gathering system in the general area with sufficient capacity to transport one hundred percent of the anticipated volume of natural gas produced from the well(s) commencing on the date of first production, taking into account the current and anticipated volumes of produced natural gas from other wells connected to the pipeline gathering system;

(4) Addl waste avoidance information: Refer to NGMP Sec. VII. Operational Practices & VIII. Best Management Practices during Maintenance

Casing Assumptions and Load Cases

Surface

All casing design assumptions were ran in Stress Check to determine safety factor which meet or exceed both Devon Energy and BLM minimum requirements. All casing strings will be filled while running in hole in order to not exceed collapse rating of the pipe.

| Surface Casing Burst Design | | |
|------------------------------------|--------------------------|---|
| Load Case | External Pressure | Internal Pressure |
| Pressure Test | Formation Pore Pressure | Max mud weight of next hole-section plus Test psi |
| Drill Ahead | Formation Pore Pressure | Max mud weight of next hole section |
| Displace to Gas | Formation Pore Pressure | Dry gas from next casing point |

| Surface Casing Collapse Design | | |
|---------------------------------------|---|--------------------------|
| Load Case | External Pressure | Internal Pressure |
| Full Evacuation | Water gradient in cement, mud above TOC | None |
| Cementing | Wet cement weight | Water (8.33ppg) |

| Surface Casing Tension Design | |
|--------------------------------------|--------------------|
| Load Case | Assumptions |
| Overpull | 100kips |
| Runing in hole | 3 ft/s |
| Service Loads | N/A |

GREEN WAVE 17-32 FED STATE COM 843H

2. Casing Program (Primary Design)

| Hole Size | Csg. Size | Wt (PPF) | Grade | Conn | Casing Interval | | Casing Interval | |
|-----------|-----------|----------|-------|-------------|-----------------|---------|-----------------|----------|
| | | | | | From (MD) | To (MD) | From (TVD) | To (TVD) |
| 14 3/4 | 10 3/4 | 40 1/2 | H40 | BTC | 0 | 751 | 0 | 751 |
| 9 7/8 | 8 5/8 | 32 | P110 | Sprint FJ | 0 | 12992 | 0 | 12992 |
| 7 7/8 | 5 1/2 | 17 | P110 | DWC / C-IS+ | 0 | 31694 | 0 | 13600 |

•All casing strings will be tested in accordance with 43 CFR 3172. Must have table for contingency casing.

3. Cementing Program (Primary Design)

| Casing | # Sks | TOC | Wt. ppg | Yld (ft3/sack) | Slurry Description |
|----------------------------|-------|-------|---------|----------------|--|
| Surface | 459 | Surf | 13.2 | 1.44 | Lead: Class C Cement + additives |
| Int 1 | 399 | Surf | 9 | 3.27 | Lead: Class C Cement + additives |
| | 573 | 8050 | 13.2 | 1.44 | Tail: Class H / C + additives |
| Int 1 Intermediate Squeeze | 907 | Surf | 13.2 | 1.44 | Squeeze Lead: Class C Cement + additives |
| | 399 | Surf | 9 | 3.27 | Lead: Class C Cement + additives |
| | 573 | 8050 | 13.2 | 1.44 | Tail: Class H / C + additives |
| Production | 117 | 11092 | 9 | 3.27 | Lead: Class H / C + additives |
| | 2462 | 13092 | 13.2 | 1.44 | Tail: Class H / C + additives |

| Casing String | % Excess |
|----------------------------|----------|
| Surface | 50% |
| Intermediate 1 | 30% |
| Intermediate 1 (Two Stage) | 25% |
| Prod | 10% |

4. Pressure Control Equipment (Three String Design)

| BOP installed and tested before drilling which hole? | Size? | Min. Required WP | Type | ✓ | Tested to: |
|--|--|------------------|--------------|---|--------------------------------|
| Int 1 | 13-5/8" | 10M | Annular | X | 50% of rated working pressure |
| | | | Blind Ram | X | 10M |
| | | | Pipe Ram | | |
| | | | Double Ram | X | |
| | | | Other* | | |
| Production | 13-5/8" | 10M | Annular (5M) | X | 100% of rated working pressure |
| | | | Blind Ram | X | 10M |
| | | | Pipe Ram | | |
| | | | Double Ram | X | |
| | | | Other* | | |
| | | | Annular (5M) | | |
| | | | Blind Ram | | |
| | | | Pipe Ram | | |
| | | | Double Ram | | |
| | | | Other* | | |
| N | A variance is requested for the use of a diverter on the surface casing. See attached for schematic. | | | | |
| Y | A variance is requested to run a 5 M annular on a 10M system | | | | |

GREEN WAVE 17-32 FED STATE COM 843H

5. Mud Program (Three String Design)

| Section | Type | Weight (ppg) |
|--------------|-----------------|--------------|
| Surface | FW Gel | 8.5-9 |
| Intermediate | DBE / Cut Brine | 10-10.5 |
| Production | OBM | 10-10.5 |

Sufficient mud materials to maintain mud properties and meet minimum lost circulation and weight increase requirements will be kept on location at all times.

| | |
|---|-----------------------------|
| What will be used to monitor the loss or gain of fluid? | PVT/Pason/Visual Monitoring |
|---|-----------------------------|

6. Logging and Testing Procedures

| Logging, Coring and Testing | |
|-----------------------------|---|
| X | Will run GR/CNL from TD to surface (horizontal well - vertical portion of hole). Stated logs run will be in the Completion Report and submitted to the BLM. |
| | No logs are planned based on well control or offset log information. |
| | Drill stem test? If yes, explain. |
| | Coring? If yes, explain. |

| Additional logs planned | Interval |
|-------------------------|-------------|
| | Resistivity |
| | Density |
| X | CBL |
| | Mud log |
| | PEX |

7. Drilling Conditions

| Condition | Specify what type and where? |
|----------------------------|------------------------------|
| BH pressure at deepest TVD | 7426 |
| Abnormal temperature | No |

Mitigation measure for abnormal conditions. Describe. Lost circulation material/sweeps/mud scavengers.

Hydrogen Sulfide (H2S) monitors will be installed prior to drilling out the surface shoe. If H2S is detected in concentrations greater than 100 ppm, the operator will comply with the provisions of 43 CFR 3176. If Hydrogen Sulfide is encountered measured values and formations will be provided to the BLM.

| | |
|---|--------------------|
| N | H2S is present |
| Y | H2S plan attached. |

8. Other facets of operation

Is this a walking operation? Potentially

- 1 If operator elects, drilling rig will batch drill the surface holes and run/cement surface casing; walking the rig to next wells on the pad.
- 2 The drilling rig will then batch drill the intermediate sections and run/cement intermediate casing; the wellbore will be isolated with a blind flange and pressure gauge installed for monitoring the well before walking to the next well.
- 3 The drilling rig will then batch drill the production hole sections on the wells with OBM, run/cement production casing, and install TA caps or tubing heads for completions.

NOTE: During batch operations the drilling rig will be moved from well to well however, it will not be removed from the pad until all wells have production casing run/cemented.

Will be pre-setting casing? Potentially

- 1 Spudder rig will move in and batch drill surface hole.
 - a. Rig will utilize fresh water based mud to drill surface hole to TD. Solids control will be handled entirely on a closed loop basis.,
- 2 After drilling the surface hole section, the spudder rig will run casing and cement following all of the applicable rules and regulations (43 CFR 3172, all COAs and NMOCD regulations).
- 3 The wellhead will be installed and tested once the surface casing is cut off and the WOC time has been reached.
- 4 A blind flange with the same pressure rating as the wellhead will be installed to seal the wellbore. Pressure will be monitored with a pressure gauge installed on the wellhead.
- 5 Spudder rig operations is expected to take 4-5 days per well on a multi-well pa.
- 6 The NMOCD will be contacted and notified 24 hours prior to commencing spudder rig operations.
- 7 Drilling operations will be performed with drilling rig. A that time an approved BOP stack will be nipped up and tested on the wellhead before drilling operations commences on each well.
 - a. The NMOCD will be contacted / notified 24 hours before the drilling rig moves back on to the pad with the pre-set surface casing.

Attachments

- Directional Plan
- Other, describe



Drilling Plan Data Report

U.S. Department of the Interior
BUREAU OF LAND MANAGEMENT

12/09/2025

APD ID: 10400105792

Submission Date: 07/03/2025

Highlighted data reflects the most recent changes

Operator Name: DEVON ENERGY PRODUCTION COMPANY LP

Well Name: GREEN WAVE 17 32 FEDERAL COM

Well Number: 843H

Well Type: OIL WELL

Well Work Type: Drill

Show Final Text

Section 1 - Geologic Formations

| Formation ID | Formation Name | Elevation | True Vertical | Measured Depth | Lithologies | Mineral Resources | Producing Formatio |
|--------------|-----------------|-----------|---------------|----------------|-----------------|-------------------|--------------------|
| 16950727 | --- | 3368 | 0 | 0 | OTHER : Surface | NONE | N |
| 16950728 | RUSTLER | 2687 | 681 | 681 | SANDSTONE | NONE | N |
| 16950729 | TOP SALT | 2323 | 1045 | 1045 | SALT | NONE | N |
| 16950737 | BASE OF SALT | -1967 | 5335 | 5335 | ANHYDRITE | NONE | N |
| 16950740 | CHERRY CANYON | -3051 | 6419 | 6419 | SANDSTONE | NATURAL GAS, OIL | N |
| 16950741 | BRUSHY CANYON | -4597 | 7965 | 7965 | SANDSTONE | NATURAL GAS, OIL | N |
| 16950726 | BONE SPRING 1ST | -6253 | 9621 | 9621 | LIMESTONE | NATURAL GAS, OIL | N |
| 16950742 | BONE SPRING 1ST | -7232 | 10600 | 10600 | SANDSTONE | NATURAL GAS, OIL | N |
| 16950746 | BONE SPRING 2ND | -7432 | 10800 | 10800 | LIMESTONE | NATURAL GAS, OIL | N |
| 16950735 | BONE SPRING 2ND | -7762 | 11130 | 11130 | SANDSTONE | NATURAL GAS, OIL | N |
| 16950733 | BONE SPRING 3RD | -8222 | 11590 | 11590 | LIMESTONE | NATURAL GAS, OIL | N |
| 16950743 | BONE SPRING 3RD | -8832 | 12200 | 12200 | SANDSTONE | NATURAL GAS, OIL | N |
| 16950736 | WOLFCAMP | -9257 | 12625 | 12625 | SHALE | NATURAL GAS, OIL | Y |
| 16950744 | STRAWN | -11882 | 15250 | 15250 | SHALE | NATURAL GAS, OIL | N |

Section 2 - Blowout Prevention



Commitment Runs Deep



Design Plan
Operation and Maintenance Plan
Closure Plan

SENM - Closed Loop Systems
June 2010

I. Design Plan

Devon uses MI SWACO closed loop system (CLS). The MI SWACO CLS is designed to maintain drill solids at or below 5%. The equipment is arranged to progressively remove solids from the largest to the smallest size. Drilling fluids can thus be reused and savings is realized on mud and disposal costs. Dewatering may be required with the centrifuges to insure removal of ultra fine solids.

The drilling location is constructed to allow storm water to flow to a central sump normally the cellar. This insures no contamination leaves the drilling pad in the event of a spill. Storm water is reused in the mud system or stored in a reserve fluid tank farm until it can be reused. All lubricants, oils, or chemicals are removed immediately from the ground to prevent the contamination of storm water. An oil trap is normally installed on the sump if an oil spill occurs during a storm.

A tank farm is utilized to store drilling fluids including fresh water and brine fluids. The tank farm is constructed on a 20 ml plastic lined, bermed pad to prevent the contamination of the drilling site during a spill. Fluids from other sites may be stored in these tanks for processing by the solids control equipment and reused in the mud system. At the end of the well the fluids are transported from the tank farm to an adjoining well or to the next well for the rig.

Prior to installing a closed-loop system on site, the topsoil, if present, will be stripped and stockpiled for use as the final cover or fill at the time of closure.

Signs will be posted on the fence surrounding the closed-loop system unless the closed-loop system is located on a site where there is an existing well, that is operated by Devon.

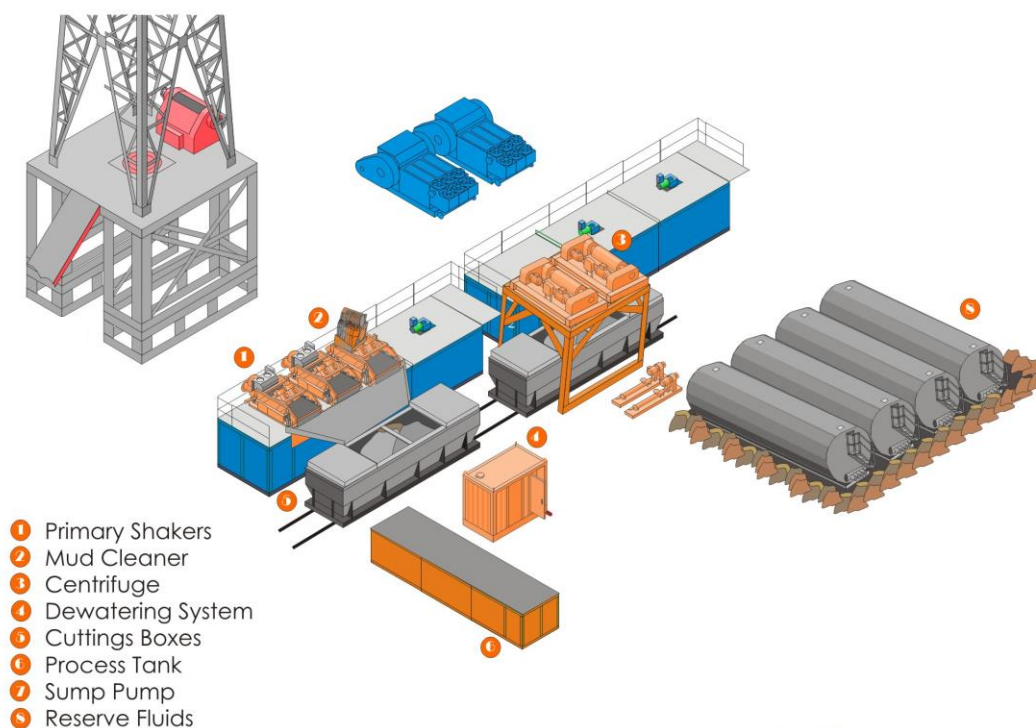
II. Operations and Maintenance Plan

Primary Shakers: The primary shakers make the first removal of drill solids from the drilling mud as it leaves the well bore. The shakers are sized to handle maximum drilling rate at optimal screen size. The shakers normally remove solids down to 74 microns.

Mud Cleaner: The Mud Cleaner cleans the fluid after it leaves the shakers. A set of hydrocyclones are sized to handle 1.25 to 1.5 times the maximum circulating rate. This ensures all the fluid is being processed to an average cut point of 25 microns. The wet discharged is dewatered on a shaker equipped with ultra fine mesh screens and generally cut at 40 microns.



Closed Loop Schematic



Centrifuges: The centrifuges can be one or two in number depending on the well geometry or depth of well. The centrifuges are sized to maintain low gravity solids at 5% or below. They may or may not need a dewatering system to enhance the removal rates. The centrifuges can make a cut point of 8-10 microns depending on bowl speed, feed rate, solids loading and other factors.

The centrifuge system is designed to work on the active system and be flexible to process incoming fluids from other locations. This set-up is also dependant on well factors.

Dewatering System: The dewatering system is a chemical mixing and dosing system designed to enhance the solids removal of the centrifuge. Not commonly used in shallow wells. It may contain pH adjustment, coagulant mixing and dosing, and polymer mixing and dosing. Chemical flocculation binds ultra fine solids into a mass that is within the centrifuge operating design. The

dewatering system improves the centrifuge cut point to infinity or allows for the return of clear water or brine fluid. This ability allows for the ultimate control of low gravity solids.

Cuttings Boxes: Cuttings boxes are utilized to capture drill solids that are discarded from the solids control equipment. These boxes are set upon a rail system that allows for the removal and replacement of a full box of cuttings with an empty one. They are equipped with a cover that insures no product is spilled into the environment during the transportation phase.

Process Tank: (Optional) The process tank allows for the holding and process of fluids that are being transferred into the mud system. Additionally, during times of lost circulation the process tank may hold active fluids that are removed for additional treatment. It can further be used as a mixing tank during well control conditions.

Sump and Sump Pump: The sump is used to collect storm water and the pump is used to transfer this fluid to the active system or to the tank for to hold in reserve. It can also be used to collect fluids that may escape during spills. The location contains drainage ditches that allow the location fluids to drain to the sump.

Reserve Fluids (Tank Farm): A series of frac tanks are used to replace the reserve pit. These are steel tanks that are equipped with a manifold system and a transfer pump. These tanks can contain any number of fluids used during the drilling process. These can include fresh water, cut brine, and saturated salt fluid. The fluid can be from the active well or reclaimed fluid from other locations. A 20 ml liner and berm system is employed to ensure the fluids do not migrate to the environment during a spill.

If a leak develops, the appropriate division district office will be notified within 48 hours of the discovery and the leak will be addressed. Spill prevention is accomplished by maintaining pump packing, hoses, and pipe fittings to insure no leaks are occurring. During an upset condition the source of the spill is isolated and repaired as soon as it is discovered. Free liquid is removed by a diaphragm pump and returned to the mud system. Loose topsoil may be used to stabilize the spill and the contaminated soil is excavated and placed in the cuttings boxes. After the well is finished and the rig has moved, the entire location is scrapped and testing will be performed to determine if a release has occurred.

All trash is kept in a wire mesh enclosure and removed to an approved landfill when full. All spent motor oils are kept in separate containers and they are removed and sent to an approved recycling center. Any spilled lubricants, pipe

dope, or regulated chemicals are removed from soil and sent to landfills approved for these products.

These operations are monitored by Mi Swaco service technicians. Daily logs are maintained to ensure optimal equipment operation and maintenance. Screen and chemical use is logged to maintain inventory control. Fluid properties are monitored and recorded and drilling mud volumes are accounted for in the mud storage farm. This data is kept for end of well review to insure performance goals are met. Lessons learned are logged and used to help with continuous improvement.

A MI SWACO field supervisor manages from 3-5 wells. They are responsible for training personnel, supervising installations, and inspecting sites for compliance of MI SWACO safety and operational policy.

III. Closure Plan

A maximum 340' X 340' caliche pad is built per well. All of the trucks and steel tanks fit on this pad. All fluid cuttings go to the steel tanks to be hauled by various trucking companies to an agency approved disposal.

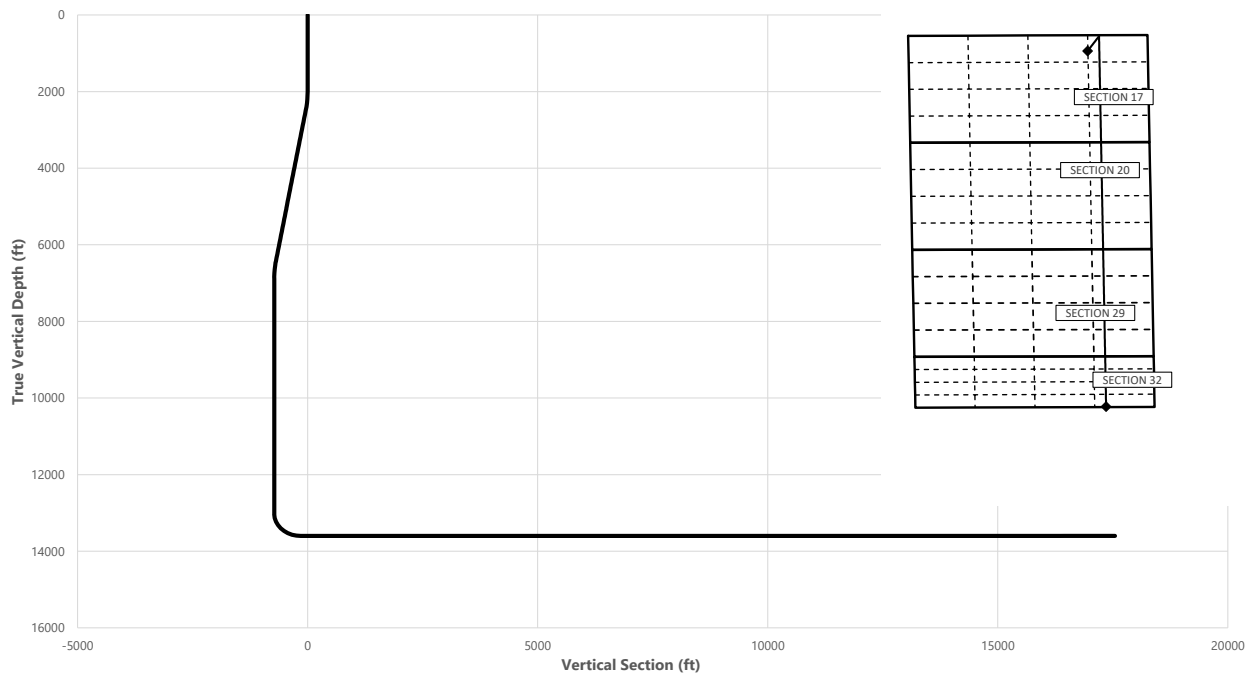
| SORT ORDER | DEPTH (TVD) | ALT FORMATION NAME (AFMSS) |
|------------|-------------|----------------------------|
| | 681 | Rustler |
| | 1045 | Salado |
| | 5335 | Delaware |
| | 6419 | Cherry Canyon |
| | 7965 | Brushy Canyon |
| | 9621 | 1BSLM |
| | 10600 | 1BSSS |
| | 10800 | 2BSLM |
| | 11130 | 2BSSS |
| | 11590 | 3BSLM |
| | 12200 | 3BSSS |
| | 12625 | WFMP |
| | 15250 | Strawn |



Well: GREEN WAVE 17-32 FEDERAL COM 843H
 County: Lea
 Wellbore: Permit Plan
 Design: Permit Plan #1

Geodetic System: US State Plane 1983
 Datum: North American Datum 1927
 Ellipsoid: Clarke 1866
 Zone: 3001 - NM East (NAD83)

| MD (ft) | INC (°) | AZI (°) | TVD (ft) | NS (ft) | EW (ft) | VS (ft) | DLS (°/100ft) | Comment |
|------------|------------|------------|-------------|------------|------------|------------|------------------|------------------|
| 0.00 | 0.00 | 0.00 | 0.00 | 0.00 | 0.00 | 0.00 | 0.00 | SHL |
| 2000.00 | 0.00 | 19.13 | 2000.00 | 0.00 | 0.00 | 0.00 | 0.00 | Start Tangent |
| 2500.00 | 10.00 | 19.13 | 2497.47 | 41.12 | 14.26 | -40.77 | 2.00 | Hold Tangent |
| 6453.36 | 10.00 | 19.13 | 6390.76 | 689.70 | 239.24 | -683.93 | 0.00 | Drop to Vertical |
| 6953.36 | 0.00 | 19.13 | 6888.23 | 730.82 | 253.50 | -724.70 | 2.00 | Hold Vertical |
| 13092.17 | 0.00 | 179.51 | 13027.04 | 730.82 | 253.50 | -724.70 | 0.00 | KOP |
| 13992.17 | 90.00 | 179.51 | 13600.00 | 157.88 | 258.40 | -151.81 | 10.00 | Landing Point |
| 31693.52 | 90.00 | 179.51 | 13600.00 | -17542.82 | 409.78 | 17547.61 | 0.00 | BHL |



| Key Depths | MD (ft) | TVD (ft) |
|---------------------------------|------------|-------------|
| Rustler | 710.00 | 710.00 |
| Salt | 1100.00 | 1100.00 |
| Base of Salt | 5089.88 | 5048.00 |
| Delaware | 5376.23 | 5330.00 |
| Cherry Canyon | 6528.57 | 6465.00 |
| Brushy Canyon | 8050.13 | 7985.00 |
| 1st Bone Spring Lime | 9689.13 | 9624.00 |
| Bone Spring 1st | 10645.13 | 10580.00 |
| Bone Spring 2nd | 11181.13 | 11116.00 |
| 3rd Bone Spring Lime | 11665.13 | 11600.00 |
| Bone Spring 3rd | 12275.13 | 12210.00 |
| Wolfcamp / Point of Penetration | 12685.13 | 12620.00 |
| exit | 31613.52 | 13600.02 |

| | MD (ft) | TVD (ft) | Lat (°) | Long (°) | Section Footages |
|----------------------|------------|-------------|------------|-------------|---|
| SHL | 0.00 | 0.00 | 32.0485 | -103.4877 | 779' FNL, 1330' FEL of Sec 17 in T26S, R34E |
| KOP | 13092.17 | 13027.04 | 32.0505 | -103.4868 | 50' FNL, 1071' FEL of Sec 17 in T26S, R34E |
| Point of Penetration | 12685.13 | 12620.00 | 32.0504 | -103.4868 | 100' FNL, 1071' FEL of Sec 17 in T26S, R34E |
| Exit | 31613.52 | 13600.02 | 32.0005 | -103.4868 | 100' FSL, 1071' FEL of Sec 32 in T26S, R34E |
| BHL | 31693.52 | 13600.00 | 32.0002 | -103.4869 | 20' FSL, 1071' FEL of Sec 32 in T26S, R34E |

| | Y | X | MD |
|-----|--------|--------|----------|
| KOP | 383159 | 803604 | 13092.17 |



Well: GREEN WAVE 17-32 FEDERAL COM 843H
County: Lea
Wellbore: Permit Plan
Design: Permit Plan #1

Geodetic System: US State Plane 1983
Datum: North American Datum 1927
Ellipsoid: Clarke 1866
Zone: 3001 - NM East (NAD83)

| MD (ft) | INC (°) | AZI (°) | TVD (ft) | NS (ft) | EW (ft) | VS (ft) | DLS (°/100ft) | Comment |
|------------|------------|------------|-------------|------------|------------|------------|------------------|------------------|
| 0.00 | 0.00 | 0.00 | 0.00 | 0.00 | 0.00 | 0.00 | 0.00 | SHL |
| 100.00 | 0.00 | 19.13 | 100.00 | 0.00 | 0.00 | 0.00 | 0.00 | |
| 200.00 | 0.00 | 19.13 | 200.00 | 0.00 | 0.00 | 0.00 | 0.00 | |
| 300.00 | 0.00 | 19.13 | 300.00 | 0.00 | 0.00 | 0.00 | 0.00 | |
| 400.00 | 0.00 | 19.13 | 400.00 | 0.00 | 0.00 | 0.00 | 0.00 | |
| 500.00 | 0.00 | 19.13 | 500.00 | 0.00 | 0.00 | 0.00 | 0.00 | |
| 600.00 | 0.00 | 19.13 | 600.00 | 0.00 | 0.00 | 0.00 | 0.00 | |
| 700.00 | 0.00 | 19.13 | 700.00 | 0.00 | 0.00 | 0.00 | 0.00 | |
| 710.00 | 0.00 | 19.13 | 710.00 | 0.00 | 0.00 | 0.00 | 0.00 | Rustler |
| 800.00 | 0.00 | 19.13 | 800.00 | 0.00 | 0.00 | 0.00 | 0.00 | |
| 900.00 | 0.00 | 19.13 | 900.00 | 0.00 | 0.00 | 0.00 | 0.00 | |
| 1000.00 | 0.00 | 19.13 | 1000.00 | 0.00 | 0.00 | 0.00 | 0.00 | |
| 1100.00 | 0.00 | 19.13 | 1100.00 | 0.00 | 0.00 | 0.00 | 0.00 | Salt, |
| 1200.00 | 0.00 | 19.13 | 1200.00 | 0.00 | 0.00 | 0.00 | 0.00 | |
| 1300.00 | 0.00 | 19.13 | 1300.00 | 0.00 | 0.00 | 0.00 | 0.00 | |
| 1400.00 | 0.00 | 19.13 | 1400.00 | 0.00 | 0.00 | 0.00 | 0.00 | |
| 1500.00 | 0.00 | 19.13 | 1500.00 | 0.00 | 0.00 | 0.00 | 0.00 | |
| 1600.00 | 0.00 | 19.13 | 1600.00 | 0.00 | 0.00 | 0.00 | 0.00 | |
| 1700.00 | 0.00 | 19.13 | 1700.00 | 0.00 | 0.00 | 0.00 | 0.00 | |
| 1800.00 | 0.00 | 19.13 | 1800.00 | 0.00 | 0.00 | 0.00 | 0.00 | |
| 1900.00 | 0.00 | 19.13 | 1900.00 | 0.00 | 0.00 | 0.00 | 0.00 | |
| 2000.00 | 0.00 | 19.13 | 2000.00 | 0.00 | 0.00 | 0.00 | 0.00 | Start Tangent |
| 2100.00 | 2.00 | 19.13 | 2099.98 | 1.65 | 0.57 | -1.63 | 2.00 | |
| 2200.00 | 4.00 | 19.13 | 2199.84 | 6.59 | 2.29 | -6.54 | 2.00 | |
| 2300.00 | 6.00 | 19.13 | 2299.45 | 14.83 | 5.14 | -14.70 | 2.00 | |
| 2400.00 | 8.00 | 19.13 | 2398.70 | 26.34 | 9.14 | -26.12 | 2.00 | |
| 2500.00 | 10.00 | 19.13 | 2497.47 | 41.12 | 14.26 | -40.77 | 2.00 | Hold Tangent |
| 2600.00 | 10.00 | 19.13 | 2595.95 | 57.53 | 19.95 | -57.04 | 0.00 | |
| 2700.00 | 10.00 | 19.13 | 2694.43 | 73.93 | 25.64 | -73.31 | 0.00 | |
| 2800.00 | 10.00 | 19.13 | 2792.91 | 90.34 | 31.33 | -89.58 | 0.00 | |
| 2900.00 | 10.00 | 19.13 | 2891.39 | 106.74 | 37.03 | -105.85 | 0.00 | |
| 3000.00 | 10.00 | 19.13 | 2989.87 | 123.15 | 42.72 | -122.12 | 0.00 | |
| 3100.00 | 10.00 | 19.13 | 3088.35 | 139.55 | 48.41 | -138.39 | 0.00 | |
| 3200.00 | 10.00 | 19.13 | 3186.83 | 155.96 | 54.10 | -154.65 | 0.00 | |
| 3300.00 | 10.00 | 19.13 | 3285.31 | 172.37 | 59.79 | -170.92 | 0.00 | |
| 3400.00 | 10.00 | 19.13 | 3383.79 | 188.77 | 65.48 | -187.19 | 0.00 | |
| 3500.00 | 10.00 | 19.13 | 3482.27 | 205.18 | 71.17 | -203.46 | 0.00 | |
| 3600.00 | 10.00 | 19.13 | 3580.75 | 221.58 | 76.86 | -219.73 | 0.00 | |
| 3700.00 | 10.00 | 19.13 | 3679.23 | 237.99 | 82.55 | -236.00 | 0.00 | |
| 3800.00 | 10.00 | 19.13 | 3777.72 | 254.40 | 88.24 | -252.27 | 0.00 | |
| 3900.00 | 10.00 | 19.13 | 3876.20 | 270.80 | 93.93 | -268.53 | 0.00 | |
| 4000.00 | 10.00 | 19.13 | 3974.68 | 287.21 | 99.62 | -284.80 | 0.00 | |
| 4100.00 | 10.00 | 19.13 | 4073.16 | 303.61 | 105.31 | -301.07 | 0.00 | |
| 4200.00 | 10.00 | 19.13 | 4171.64 | 320.02 | 111.00 | -317.34 | 0.00 | |
| 4300.00 | 10.00 | 19.13 | 4270.12 | 336.42 | 116.69 | -333.61 | 0.00 | |
| 4400.00 | 10.00 | 19.13 | 4368.60 | 352.83 | 122.39 | -349.88 | 0.00 | |
| 4500.00 | 10.00 | 19.13 | 4467.08 | 369.24 | 128.08 | -366.14 | 0.00 | |
| 4600.00 | 10.00 | 19.13 | 4565.56 | 385.64 | 133.77 | -382.41 | 0.00 | |
| 4700.00 | 10.00 | 19.13 | 4664.04 | 402.05 | 139.46 | -398.68 | 0.00 | |
| 4800.00 | 10.00 | 19.13 | 4762.52 | 418.45 | 145.15 | -414.95 | 0.00 | |
| 4900.00 | 10.00 | 19.13 | 4861.00 | 434.86 | 150.84 | -431.22 | 0.00 | |
| 5000.00 | 10.00 | 19.13 | 4959.48 | 451.27 | 156.53 | -447.49 | 0.00 | |
| 5089.88 | 10.00 | 19.13 | 5048.00 | 466.01 | 161.64 | -462.11 | 0.00 | Base of Salt |
| 5100.00 | 10.00 | 19.13 | 5057.97 | 467.67 | 162.22 | -463.76 | 0.00 | |
| 5200.00 | 10.00 | 19.13 | 5156.45 | 484.08 | 167.91 | -480.02 | 0.00 | |
| 5300.00 | 10.00 | 19.13 | 5254.93 | 500.48 | 173.60 | -496.29 | 0.00 | |
| 5376.23 | 10.00 | 19.13 | 5330.00 | 512.99 | 177.94 | -508.69 | 0.00 | Delaware |
| 5400.00 | 10.00 | 19.13 | 5353.41 | 516.89 | 179.29 | -512.56 | 0.00 | |
| 5500.00 | 10.00 | 19.13 | 5451.89 | 533.30 | 184.98 | -528.83 | 0.00 | |
| 5600.00 | 10.00 | 19.13 | 5550.37 | 549.70 | 190.67 | -545.10 | 0.00 | |
| 5700.00 | 10.00 | 19.13 | 5648.85 | 566.11 | 196.36 | -561.37 | 0.00 | |
| 5800.00 | 10.00 | 19.13 | 5747.33 | 582.51 | 202.05 | -577.64 | 0.00 | |
| 5900.00 | 10.00 | 19.13 | 5845.81 | 598.92 | 207.75 | -593.90 | 0.00 | |
| 6000.00 | 10.00 | 19.13 | 5944.29 | 615.32 | 213.44 | -610.17 | 0.00 | |
| 6100.00 | 10.00 | 19.13 | 6042.77 | 631.73 | 219.13 | -626.44 | 0.00 | |
| 6200.00 | 10.00 | 19.13 | 6141.25 | 648.14 | 224.82 | -642.71 | 0.00 | |
| 6300.00 | 10.00 | 19.13 | 6239.73 | 664.54 | 230.51 | -658.98 | 0.00 | |
| 6400.00 | 10.00 | 19.13 | 6338.22 | 680.95 | 236.20 | -675.25 | 0.00 | |
| 6453.36 | 10.00 | 19.13 | 6390.76 | 689.70 | 239.24 | -683.93 | 0.00 | Drop to Vertical |
| 6500.00 | 9.07 | 19.13 | 6436.76 | 697.00 | 241.77 | -691.16 | 2.00 | |



Well: GREEN WAVE 17-32 FEDERAL COM 843H
County: Lea
Wellbore: Permit Plan
Design: Permit Plan #1

Geodetic System: US State Plane 1983
Datum: North American Datum 1927
Ellipsoid: Clarke 1866
Zone: 3001 - NM East (NAD83)

| MD (ft) | INC (°) | AZI (°) | TVD (ft) | NS (ft) | EW (ft) | VS (ft) | DLS (°/100ft) | Comment |
|------------|------------|------------|-------------|------------|------------|------------|------------------|---------------------------------|
| 6528.57 | 8.50 | 19.13 | 6465.00 | 701.12 | 243.20 | -695.25 | 2.00 | Cherry Canyon |
| 6600.00 | 7.07 | 19.13 | 6535.77 | 710.26 | 246.37 | -704.31 | 2.00 | |
| 6700.00 | 5.07 | 19.13 | 6635.20 | 720.24 | 249.83 | -714.21 | 2.00 | |
| 6800.00 | 3.07 | 19.13 | 6734.94 | 726.94 | 252.15 | -720.86 | 2.00 | |
| 6900.00 | 1.07 | 19.13 | 6834.87 | 730.35 | 253.34 | -724.24 | 2.00 | |
| 6953.36 | 0.00 | 19.13 | 6888.23 | 730.82 | 253.50 | -724.70 | 2.00 | Hold Vertical |
| 7000.00 | 0.00 | 179.51 | 6934.87 | 730.82 | 253.50 | -724.70 | 0.00 | |
| 7100.00 | 0.00 | 179.51 | 7034.87 | 730.82 | 253.50 | -724.70 | 0.00 | |
| 7200.00 | 0.00 | 179.51 | 7134.87 | 730.82 | 253.50 | -724.70 | 0.00 | |
| 7300.00 | 0.00 | 179.51 | 7234.87 | 730.82 | 253.50 | -724.70 | 0.00 | |
| 7400.00 | 0.00 | 179.51 | 7334.87 | 730.82 | 253.50 | -724.70 | 0.00 | |
| 7500.00 | 0.00 | 179.51 | 7434.87 | 730.82 | 253.50 | -724.70 | 0.00 | |
| 7600.00 | 0.00 | 179.51 | 7534.87 | 730.82 | 253.50 | -724.70 | 0.00 | |
| 7700.00 | 0.00 | 179.51 | 7634.87 | 730.82 | 253.50 | -724.70 | 0.00 | |
| 7800.00 | 0.00 | 179.51 | 7734.87 | 730.82 | 253.50 | -724.70 | 0.00 | |
| 7900.00 | 0.00 | 179.51 | 7834.87 | 730.82 | 253.50 | -724.70 | 0.00 | |
| 8000.00 | 0.00 | 179.51 | 7934.87 | 730.82 | 253.50 | -724.70 | 0.00 | |
| 8050.13 | 0.00 | 179.51 | 7985.00 | 730.82 | 253.50 | -724.70 | 0.00 | Brushy Canyon |
| 8100.00 | 0.00 | 179.51 | 8034.87 | 730.82 | 253.50 | -724.70 | 0.00 | |
| 8200.00 | 0.00 | 179.51 | 8134.87 | 730.82 | 253.50 | -724.70 | 0.00 | |
| 8300.00 | 0.00 | 179.51 | 8234.87 | 730.82 | 253.50 | -724.70 | 0.00 | |
| 8400.00 | 0.00 | 179.51 | 8334.87 | 730.82 | 253.50 | -724.70 | 0.00 | |
| 8500.00 | 0.00 | 179.51 | 8434.87 | 730.82 | 253.50 | -724.70 | 0.00 | |
| 8600.00 | 0.00 | 179.51 | 8534.87 | 730.82 | 253.50 | -724.70 | 0.00 | |
| 8700.00 | 0.00 | 179.51 | 8634.87 | 730.82 | 253.50 | -724.70 | 0.00 | |
| 8800.00 | 0.00 | 179.51 | 8734.87 | 730.82 | 253.50 | -724.70 | 0.00 | |
| 8900.00 | 0.00 | 179.51 | 8834.87 | 730.82 | 253.50 | -724.70 | 0.00 | |
| 9000.00 | 0.00 | 179.51 | 8934.87 | 730.82 | 253.50 | -724.70 | 0.00 | |
| 9100.00 | 0.00 | 179.51 | 9034.87 | 730.82 | 253.50 | -724.70 | 0.00 | |
| 9200.00 | 0.00 | 179.51 | 9134.87 | 730.82 | 253.50 | -724.70 | 0.00 | |
| 9300.00 | 0.00 | 179.51 | 9234.87 | 730.82 | 253.50 | -724.70 | 0.00 | |
| 9400.00 | 0.00 | 179.51 | 9334.87 | 730.82 | 253.50 | -724.70 | 0.00 | |
| 9500.00 | 0.00 | 179.51 | 9434.87 | 730.82 | 253.50 | -724.70 | 0.00 | |
| 9600.00 | 0.00 | 179.51 | 9534.87 | 730.82 | 253.50 | -724.70 | 0.00 | |
| 9689.13 | 0.00 | 179.51 | 9624.00 | 730.82 | 253.50 | -724.70 | 0.00 | 1st Bone Spring Lime |
| 9700.00 | 0.00 | 179.51 | 9634.87 | 730.82 | 253.50 | -724.70 | 0.00 | |
| 9800.00 | 0.00 | 179.51 | 9734.87 | 730.82 | 253.50 | -724.70 | 0.00 | |
| 9900.00 | 0.00 | 179.51 | 9834.87 | 730.82 | 253.50 | -724.70 | 0.00 | |
| 10000.00 | 0.00 | 179.51 | 9934.87 | 730.82 | 253.50 | -724.70 | 0.00 | |
| 10100.00 | 0.00 | 179.51 | 10034.87 | 730.82 | 253.50 | -724.70 | 0.00 | |
| 10200.00 | 0.00 | 179.51 | 10134.87 | 730.82 | 253.50 | -724.70 | 0.00 | |
| 10300.00 | 0.00 | 179.51 | 10234.87 | 730.82 | 253.50 | -724.70 | 0.00 | |
| 10400.00 | 0.00 | 179.51 | 10334.87 | 730.82 | 253.50 | -724.70 | 0.00 | |
| 10500.00 | 0.00 | 179.51 | 10434.87 | 730.82 | 253.50 | -724.70 | 0.00 | |
| 10600.00 | 0.00 | 179.51 | 10534.87 | 730.82 | 253.50 | -724.70 | 0.00 | |
| 10645.13 | 0.00 | 179.51 | 10580.00 | 730.82 | 253.50 | -724.70 | 0.00 | Bone Spring 1st |
| 10700.00 | 0.00 | 179.51 | 10634.87 | 730.82 | 253.50 | -724.70 | 0.00 | |
| 10800.00 | 0.00 | 179.51 | 10734.87 | 730.82 | 253.50 | -724.70 | 0.00 | |
| 10900.00 | 0.00 | 179.51 | 10834.87 | 730.82 | 253.50 | -724.70 | 0.00 | |
| 11000.00 | 0.00 | 179.51 | 10934.87 | 730.82 | 253.50 | -724.70 | 0.00 | |
| 11100.00 | 0.00 | 179.51 | 11034.87 | 730.82 | 253.50 | -724.70 | 0.00 | |
| 11181.13 | 0.00 | 179.51 | 11116.00 | 730.82 | 253.50 | -724.70 | 0.00 | Bone Spring 2nd |
| 11200.00 | 0.00 | 179.51 | 11134.87 | 730.82 | 253.50 | -724.70 | 0.00 | |
| 11300.00 | 0.00 | 179.51 | 11234.87 | 730.82 | 253.50 | -724.70 | 0.00 | |
| 11400.00 | 0.00 | 179.51 | 11334.87 | 730.82 | 253.50 | -724.70 | 0.00 | |
| 11500.00 | 0.00 | 179.51 | 11434.87 | 730.82 | 253.50 | -724.70 | 0.00 | |
| 11600.00 | 0.00 | 179.51 | 11534.87 | 730.82 | 253.50 | -724.70 | 0.00 | |
| 11665.13 | 0.00 | 179.51 | 11600.00 | 730.82 | 253.50 | -724.70 | 0.00 | 3rd Bone Spring Lime |
| 11700.00 | 0.00 | 179.51 | 11634.87 | 730.82 | 253.50 | -724.70 | 0.00 | |
| 11800.00 | 0.00 | 179.51 | 11734.87 | 730.82 | 253.50 | -724.70 | 0.00 | |
| 11900.00 | 0.00 | 179.51 | 11834.87 | 730.82 | 253.50 | -724.70 | 0.00 | |
| 12000.00 | 0.00 | 179.51 | 11934.87 | 730.82 | 253.50 | -724.70 | 0.00 | |
| 12100.00 | 0.00 | 179.51 | 12034.87 | 730.82 | 253.50 | -724.70 | 0.00 | |
| 12200.00 | 0.00 | 179.51 | 12134.87 | 730.82 | 253.50 | -724.70 | 0.00 | |
| 12275.13 | 0.00 | 179.51 | 12210.00 | 730.82 | 253.50 | -724.70 | 0.00 | Bone Spring 3rd |
| 12300.00 | 0.00 | 179.51 | 12234.87 | 730.82 | 253.50 | -724.70 | 0.00 | |
| 12400.00 | 0.00 | 179.51 | 12334.87 | 730.82 | 253.50 | -724.70 | 0.00 | |
| 12500.00 | 0.00 | 179.51 | 12434.87 | 730.82 | 253.50 | -724.70 | 0.00 | |
| 12600.00 | 0.00 | 179.51 | 12534.87 | 730.82 | 253.50 | -724.70 | 0.00 | |
| 12685.13 | 0.00 | 179.51 | 12620.00 | 730.82 | 253.50 | -724.70 | 0.00 | Wolfcamp / Point of Penetration |



Well: GREEN WAVE 17-32 FEDERAL COM 843H
County: Lea
Wellbore: Permit Plan
Design: Permit Plan #1

Geodetic System: US State Plane 1983
Datum: North American Datum 1927
Ellipsoid: Clarke 1866
Zone: 3001 - NM East (NAD83)

| MD (ft) | INC (°) | AZI (°) | TVD (ft) | NS (ft) | EW (ft) | VS (ft) | DLS (°/100ft) | Comment |
|------------|------------|------------|-------------|------------|------------|------------|------------------|---------------|
| 12700.00 | 0.00 | 179.51 | 12634.87 | 730.82 | 253.50 | -724.70 | 0.00 | |
| 12800.00 | 0.00 | 179.51 | 12734.87 | 730.82 | 253.50 | -724.70 | 0.00 | |
| 12900.00 | 0.00 | 179.51 | 12834.87 | 730.82 | 253.50 | -724.70 | 0.00 | |
| 13000.00 | 0.00 | 179.51 | 12934.87 | 730.82 | 253.50 | -724.70 | 0.00 | |
| 13092.17 | 0.00 | 179.51 | 13027.04 | 730.82 | 253.50 | -724.70 | 0.00 | KOP |
| 13100.00 | 0.78 | 179.51 | 13034.87 | 730.77 | 253.50 | -724.65 | 10.00 | |
| 13200.00 | 10.78 | 179.51 | 13134.24 | 720.71 | 253.58 | -714.59 | 10.00 | |
| 13300.00 | 20.78 | 179.51 | 13230.34 | 693.54 | 253.82 | -687.42 | 10.00 | |
| 13400.00 | 30.78 | 179.51 | 13320.27 | 650.10 | 254.19 | -643.99 | 10.00 | |
| 13500.00 | 40.78 | 179.51 | 13401.29 | 591.71 | 254.69 | -585.60 | 10.00 | |
| 13600.00 | 50.78 | 179.51 | 13470.94 | 520.13 | 255.30 | -514.03 | 10.00 | |
| 13700.00 | 60.78 | 179.51 | 13527.11 | 437.55 | 256.01 | -431.45 | 10.00 | |
| 13800.00 | 70.78 | 179.51 | 13568.07 | 346.47 | 256.79 | -340.38 | 10.00 | |
| 13900.00 | 80.78 | 179.51 | 13592.60 | 249.66 | 257.61 | -243.57 | 10.00 | |
| 13992.17 | 90.00 | 179.51 | 13600.00 | 157.88 | 258.40 | -151.81 | 10.00 | Landing Point |
| 14000.00 | 90.00 | 179.51 | 13600.00 | 150.06 | 258.47 | -143.98 | 0.00 | |
| 14100.00 | 90.00 | 179.51 | 13600.00 | 50.06 | 259.32 | -43.99 | 0.00 | |
| 14200.00 | 90.00 | 179.51 | 13600.00 | -49.94 | 260.18 | 56.00 | 0.00 | |
| 14300.00 | 90.00 | 179.51 | 13600.00 | -149.93 | 261.03 | 155.99 | 0.00 | |
| 14400.00 | 90.00 | 179.51 | 13600.00 | -249.93 | 261.89 | 255.98 | 0.00 | |
| 14500.00 | 90.00 | 179.51 | 13600.00 | -349.93 | 262.74 | 355.97 | 0.00 | |
| 14600.00 | 90.00 | 179.51 | 13600.00 | -449.92 | 263.60 | 455.96 | 0.00 | |
| 14700.00 | 90.00 | 179.51 | 13600.00 | -549.92 | 264.45 | 555.94 | 0.00 | |
| 14800.00 | 90.00 | 179.51 | 13600.00 | -649.91 | 265.31 | 655.93 | 0.00 | |
| 14900.00 | 90.00 | 179.51 | 13600.00 | -749.91 | 266.16 | 755.92 | 0.00 | |
| 15000.00 | 90.00 | 179.51 | 13600.00 | -849.91 | 267.02 | 855.91 | 0.00 | |
| 15100.00 | 90.00 | 179.51 | 13600.00 | -949.90 | 267.88 | 955.90 | 0.00 | |
| 15200.00 | 90.00 | 179.51 | 13600.00 | -1049.90 | 268.73 | 1055.89 | 0.00 | |
| 15300.00 | 90.00 | 179.51 | 13600.00 | -1149.90 | 269.59 | 1155.88 | 0.00 | |
| 15400.00 | 90.00 | 179.51 | 13600.00 | -1249.89 | 270.44 | 1255.87 | 0.00 | |
| 15500.00 | 90.00 | 179.51 | 13600.00 | -1349.89 | 271.30 | 1355.86 | 0.00 | |
| 15600.00 | 90.00 | 179.51 | 13600.00 | -1449.89 | 272.15 | 1455.85 | 0.00 | |
| 15700.00 | 90.00 | 179.51 | 13600.00 | -1549.88 | 273.01 | 1555.83 | 0.00 | |
| 15800.00 | 90.00 | 179.51 | 13600.00 | -1649.88 | 273.86 | 1655.82 | 0.00 | |
| 15900.00 | 90.00 | 179.51 | 13600.00 | -1749.87 | 274.72 | 1755.81 | 0.00 | |
| 16000.00 | 90.00 | 179.51 | 13600.00 | -1849.87 | 275.57 | 1855.80 | 0.00 | |
| 16100.00 | 90.00 | 179.51 | 13600.00 | -1949.87 | 276.43 | 1955.79 | 0.00 | |
| 16200.00 | 90.00 | 179.51 | 13600.00 | -2049.86 | 277.29 | 2055.78 | 0.00 | |
| 16300.00 | 90.00 | 179.51 | 13600.00 | -2149.86 | 278.14 | 2155.77 | 0.00 | |
| 16400.00 | 90.00 | 179.51 | 13600.00 | -2249.86 | 279.00 | 2255.76 | 0.00 | |
| 16500.00 | 90.00 | 179.51 | 13600.00 | -2349.85 | 279.85 | 2355.75 | 0.00 | |
| 16600.00 | 90.00 | 179.51 | 13600.00 | -2449.85 | 280.71 | 2455.74 | 0.00 | |
| 16700.00 | 90.00 | 179.51 | 13600.00 | -2549.85 | 281.56 | 2555.73 | 0.00 | |
| 16800.00 | 90.00 | 179.51 | 13600.00 | -2649.84 | 282.42 | 2655.71 | 0.00 | |
| 16900.00 | 90.00 | 179.51 | 13600.00 | -2749.84 | 283.27 | 2755.70 | 0.00 | |
| 17000.00 | 90.00 | 179.51 | 13600.00 | -2849.83 | 284.13 | 2855.69 | 0.00 | |
| 17100.00 | 90.00 | 179.51 | 13600.00 | -2949.83 | 284.98 | 2955.68 | 0.00 | |
| 17200.00 | 90.00 | 179.51 | 13600.00 | -3049.83 | 285.84 | 3055.67 | 0.00 | |
| 17300.00 | 90.00 | 179.51 | 13600.00 | -3149.82 | 286.70 | 3155.66 | 0.00 | |
| 17400.00 | 90.00 | 179.51 | 13600.00 | -3249.82 | 287.55 | 3255.65 | 0.00 | |
| 17500.00 | 90.00 | 179.51 | 13600.00 | -3349.82 | 288.41 | 3355.64 | 0.00 | |
| 17600.00 | 90.00 | 179.51 | 13600.00 | -3449.81 | 289.26 | 3455.63 | 0.00 | |
| 17700.00 | 90.00 | 179.51 | 13600.00 | -3549.81 | 290.12 | 3555.62 | 0.00 | |
| 17800.00 | 90.00 | 179.51 | 13600.01 | -3649.80 | 290.97 | 3655.60 | 0.00 | |
| 17900.00 | 90.00 | 179.51 | 13600.01 | -3749.80 | 291.83 | 3755.59 | 0.00 | |
| 18000.00 | 90.00 | 179.51 | 13600.01 | -3849.80 | 292.68 | 3855.58 | 0.00 | |
| 18100.00 | 90.00 | 179.51 | 13600.01 | -3949.79 | 293.54 | 3955.57 | 0.00 | |
| 18200.00 | 90.00 | 179.51 | 13600.01 | -4049.79 | 294.39 | 4055.56 | 0.00 | |
| 18300.00 | 90.00 | 179.51 | 13600.01 | -4149.79 | 295.25 | 4155.55 | 0.00 | |
| 18400.00 | 90.00 | 179.51 | 13600.01 | -4249.78 | 296.11 | 4255.54 | 0.00 | |
| 18500.00 | 90.00 | 179.51 | 13600.01 | -4349.78 | 296.96 | 4355.53 | 0.00 | |
| 18600.00 | 90.00 | 179.51 | 13600.01 | -4449.78 | 297.82 | 4455.52 | 0.00 | |
| 18700.00 | 90.00 | 179.51 | 13600.01 | -4549.77 | 298.67 | 4555.51 | 0.00 | |
| 18800.00 | 90.00 | 179.51 | 13600.01 | -4649.77 | 299.53 | 4655.50 | 0.00 | |
| 18900.00 | 90.00 | 179.51 | 13600.01 | -4749.76 | 300.38 | 4755.48 | 0.00 | |
| 19000.00 | 90.00 | 179.51 | 13600.01 | -4849.76 | 301.24 | 4855.47 | 0.00 | |
| 19100.00 | 90.00 | 179.51 | 13600.01 | -4949.76 | 302.09 | 4955.46 | 0.00 | |
| 19200.00 | 90.00 | 179.51 | 13600.01 | -5049.75 | 302.95 | 5055.45 | 0.00 | |
| 19300.00 | 90.00 | 179.51 | 13600.01 | -5149.75 | 303.80 | 5155.44 | 0.00 | |
| 19400.00 | 90.00 | 179.51 | 13600.01 | -5249.75 | 304.66 | 5255.43 | 0.00 | |



Well: GREEN WAVE 17-32 FEDERAL COM 843H
 County: Lea
 Wellbore: Permit Plan
 Design: Permit Plan #1

Geodetic System: US State Plane 1983
 Datum: North American Datum 1927
 Ellipsoid: Clarke 1866
 Zone: 3001 - NM East (NAD83)

| MD (ft) | INC (°) | AZI (°) | TVD (ft) | NS (ft) | EW (ft) | VS (ft) | DLS (°/100ft) | Comment |
|------------|------------|------------|-------------|------------|------------|------------|------------------|---------|
| 19500.00 | 90.00 | 179.51 | 13600.01 | -5349.74 | 305.52 | 5355.42 | 0.00 | |
| 19600.00 | 90.00 | 179.51 | 13600.01 | -5449.74 | 306.37 | 5455.41 | 0.00 | |
| 19700.00 | 90.00 | 179.51 | 13600.01 | -5549.74 | 307.23 | 5555.40 | 0.00 | |
| 19800.00 | 90.00 | 179.51 | 13600.01 | -5649.73 | 308.08 | 5655.39 | 0.00 | |
| 19900.00 | 90.00 | 179.51 | 13600.01 | -5749.73 | 308.94 | 5755.37 | 0.00 | |
| 20000.00 | 90.00 | 179.51 | 13600.01 | -5849.72 | 309.79 | 5855.36 | 0.00 | |
| 20100.00 | 90.00 | 179.51 | 13600.01 | -5949.72 | 310.65 | 5955.35 | 0.00 | |
| 20200.00 | 90.00 | 179.51 | 13600.01 | -6049.72 | 311.50 | 6055.34 | 0.00 | |
| 20300.00 | 90.00 | 179.51 | 13600.01 | -6149.71 | 312.36 | 6155.33 | 0.00 | |
| 20400.00 | 90.00 | 179.51 | 13600.01 | -6249.71 | 313.21 | 6255.32 | 0.00 | |
| 20500.00 | 90.00 | 179.51 | 13600.01 | -6349.71 | 314.07 | 6355.31 | 0.00 | |
| 20600.00 | 90.00 | 179.51 | 13600.01 | -6449.70 | 314.93 | 6455.30 | 0.00 | |
| 20700.00 | 90.00 | 179.51 | 13600.01 | -6549.70 | 315.78 | 6555.29 | 0.00 | |
| 20800.00 | 90.00 | 179.51 | 13600.01 | -6649.70 | 316.64 | 6655.28 | 0.00 | |
| 20900.00 | 90.00 | 179.51 | 13600.01 | -6749.69 | 317.49 | 6755.27 | 0.00 | |
| 21000.00 | 90.00 | 179.51 | 13600.01 | -6849.69 | 318.35 | 6855.25 | 0.00 | |
| 21100.00 | 90.00 | 179.51 | 13600.01 | -6949.68 | 319.20 | 6955.24 | 0.00 | |
| 21200.00 | 90.00 | 179.51 | 13600.01 | -7049.68 | 320.06 | 7055.23 | 0.00 | |
| 21300.00 | 90.00 | 179.51 | 13600.01 | -7149.68 | 320.91 | 7155.22 | 0.00 | |
| 21400.00 | 90.00 | 179.51 | 13600.01 | -7249.67 | 321.77 | 7255.21 | 0.00 | |
| 21500.00 | 90.00 | 179.51 | 13600.01 | -7349.67 | 322.63 | 7355.20 | 0.00 | |
| 21600.00 | 90.00 | 179.51 | 13600.01 | -7449.67 | 323.48 | 7455.19 | 0.00 | |
| 21700.00 | 90.00 | 179.51 | 13600.01 | -7549.66 | 324.34 | 7555.18 | 0.00 | |
| 21800.00 | 90.00 | 179.51 | 13600.01 | -7649.66 | 325.19 | 7655.17 | 0.00 | |
| 21900.00 | 90.00 | 179.51 | 13600.01 | -7749.65 | 326.05 | 7755.16 | 0.00 | |
| 22000.00 | 90.00 | 179.51 | 13600.01 | -7849.65 | 326.90 | 7855.14 | 0.00 | |
| 22100.00 | 90.00 | 179.51 | 13600.01 | -7949.65 | 327.76 | 7955.13 | 0.00 | |
| 22200.00 | 90.00 | 179.51 | 13600.01 | -8049.64 | 328.61 | 8055.12 | 0.00 | |
| 22300.00 | 90.00 | 179.51 | 13600.01 | -8149.64 | 329.47 | 8155.11 | 0.00 | |
| 22400.00 | 90.00 | 179.51 | 13600.01 | -8249.64 | 330.32 | 8255.10 | 0.00 | |
| 22500.00 | 90.00 | 179.51 | 13600.01 | -8349.63 | 331.18 | 8355.09 | 0.00 | |
| 22600.00 | 90.00 | 179.51 | 13600.01 | -8449.63 | 332.04 | 8455.08 | 0.00 | |
| 22700.00 | 90.00 | 179.51 | 13600.01 | -8549.63 | 332.89 | 8555.07 | 0.00 | |
| 22800.00 | 90.00 | 179.51 | 13600.01 | -8649.62 | 333.75 | 8655.06 | 0.00 | |
| 22900.00 | 90.00 | 179.51 | 13600.01 | -8749.62 | 334.60 | 8755.05 | 0.00 | |
| 23000.00 | 90.00 | 179.51 | 13600.01 | -8849.61 | 335.46 | 8855.04 | 0.00 | |
| 23100.00 | 90.00 | 179.51 | 13600.01 | -8949.61 | 336.31 | 8955.02 | 0.00 | |
| 23200.00 | 90.00 | 179.51 | 13600.01 | -9049.61 | 337.17 | 9055.01 | 0.00 | |
| 23300.00 | 90.00 | 179.51 | 13600.01 | -9149.60 | 338.02 | 9155.00 | 0.00 | |
| 23400.00 | 90.00 | 179.51 | 13600.01 | -9249.60 | 338.88 | 9254.99 | 0.00 | |
| 23500.00 | 90.00 | 179.51 | 13600.01 | -9349.60 | 339.73 | 9354.98 | 0.00 | |
| 23600.00 | 90.00 | 179.51 | 13600.01 | -9449.59 | 340.59 | 9454.97 | 0.00 | |
| 23700.00 | 90.00 | 179.51 | 13600.01 | -9549.59 | 341.45 | 9554.96 | 0.00 | |
| 23800.00 | 90.00 | 179.51 | 13600.01 | -9649.59 | 342.30 | 9654.95 | 0.00 | |
| 23900.00 | 90.00 | 179.51 | 13600.01 | -9749.58 | 343.16 | 9754.94 | 0.00 | |
| 24000.00 | 90.00 | 179.51 | 13600.01 | -9849.58 | 344.01 | 9854.93 | 0.00 | |
| 24100.00 | 90.00 | 179.51 | 13600.01 | -9949.57 | 344.87 | 9954.91 | 0.00 | |
| 24200.00 | 90.00 | 179.51 | 13600.01 | -10049.57 | 345.72 | 10054.90 | 0.00 | |
| 24300.00 | 90.00 | 179.51 | 13600.01 | -10149.57 | 346.58 | 10154.89 | 0.00 | |
| 24400.00 | 90.00 | 179.51 | 13600.01 | -10249.56 | 347.43 | 10254.88 | 0.00 | |
| 24500.00 | 90.00 | 179.51 | 13600.01 | -10349.56 | 348.29 | 10354.87 | 0.00 | |
| 24600.00 | 90.00 | 179.51 | 13600.01 | -10449.56 | 349.14 | 10454.86 | 0.00 | |
| 24700.00 | 90.00 | 179.51 | 13600.01 | -10549.55 | 350.00 | 10554.85 | 0.00 | |
| 24800.00 | 90.00 | 179.51 | 13600.01 | -10649.55 | 350.86 | 10654.84 | 0.00 | |
| 24900.00 | 90.00 | 179.51 | 13600.01 | -10749.55 | 351.71 | 10754.83 | 0.00 | |
| 25000.00 | 90.00 | 179.51 | 13600.01 | -10849.54 | 352.57 | 10854.82 | 0.00 | |
| 25100.00 | 90.00 | 179.51 | 13600.01 | -10949.54 | 353.42 | 10954.81 | 0.00 | |
| 25200.00 | 90.00 | 179.51 | 13600.01 | -11049.53 | 354.28 | 11054.79 | 0.00 | |
| 25300.00 | 90.00 | 179.51 | 13600.02 | -11149.53 | 355.13 | 11154.78 | 0.00 | |
| 25400.00 | 90.00 | 179.51 | 13600.02 | -11249.53 | 355.99 | 11254.77 | 0.00 | |
| 25500.00 | 90.00 | 179.51 | 13600.02 | -11349.52 | 356.84 | 11354.76 | 0.00 | |
| 25600.00 | 90.00 | 179.51 | 13600.02 | -11449.52 | 357.70 | 11454.75 | 0.00 | |
| 25700.00 | 90.00 | 179.51 | 13600.02 | -11549.52 | 358.55 | 11554.74 | 0.00 | |
| 25800.00 | 90.00 | 179.51 | 13600.02 | -11649.51 | 359.41 | 11654.73 | 0.00 | |
| 25900.00 | 90.00 | 179.51 | 13600.02 | -11749.51 | 360.27 | 11754.72 | 0.00 | |
| 26000.00 | 90.00 | 179.51 | 13600.02 | -11849.50 | 361.12 | 11854.71 | 0.00 | |
| 26100.00 | 90.00 | 179.51 | 13600.02 | -11949.50 | 361.98 | 11954.70 | 0.00 | |
| 26200.00 | 90.00 | 179.51 | 13600.02 | -12049.50 | 362.83 | 12054.68 | 0.00 | |
| 26300.00 | 90.00 | 179.51 | 13600.02 | -12149.49 | 363.69 | 12154.67 | 0.00 | |
| 26400.00 | 90.00 | 179.51 | 13600.02 | -12249.49 | 364.54 | 12254.66 | 0.00 | |

Well: GREEN WAVE 17-32 FEDERAL COM 843H
County: Lea
Wellbore: Permit Plan
Design: Permit Plan #1

Geodetic System: US State Plane 1983
Datum: North American Datum 1927
Ellipsoid: Clarke 1866
Zone: 3001 - NM East (NAD83)

| MD (ft) | INC (°) | AZI (°) | TVD (ft) | NS (ft) | EW (ft) | VS (ft) | DLS (°/100ft) | Comment |
|------------|------------|------------|-------------|------------|------------|------------|------------------|---------|
| 26500.00 | 90.00 | 179.51 | 13600.02 | -12349.49 | 365.40 | 12354.65 | 0.00 | |
| 26600.00 | 90.00 | 179.51 | 13600.02 | -12449.48 | 366.25 | 12454.64 | 0.00 | |
| 26700.00 | 90.00 | 179.51 | 13600.02 | -12549.48 | 367.11 | 12554.63 | 0.00 | |
| 26800.00 | 90.00 | 179.51 | 13600.02 | -12649.48 | 367.96 | 12654.62 | 0.00 | |
| 26900.00 | 90.00 | 179.51 | 13600.02 | -12749.47 | 368.82 | 12754.61 | 0.00 | |
| 27000.00 | 90.00 | 179.51 | 13600.02 | -12849.47 | 369.68 | 12854.60 | 0.00 | |
| 27100.00 | 90.00 | 179.51 | 13600.02 | -12949.46 | 370.53 | 12954.59 | 0.00 | |
| 27200.00 | 90.00 | 179.51 | 13600.02 | -13049.46 | 371.39 | 13054.58 | 0.00 | |
| 27300.00 | 90.00 | 179.51 | 13600.02 | -13149.46 | 372.24 | 13154.56 | 0.00 | |
| 27400.00 | 90.00 | 179.51 | 13600.02 | -13249.45 | 373.10 | 13254.55 | 0.00 | |
| 27500.00 | 90.00 | 179.51 | 13600.02 | -13349.45 | 373.95 | 13354.54 | 0.00 | |
| 27600.00 | 90.00 | 179.51 | 13600.02 | -13449.45 | 374.81 | 13454.53 | 0.00 | |
| 27700.00 | 90.00 | 179.51 | 13600.02 | -13549.44 | 375.66 | 13554.52 | 0.00 | |
| 27800.00 | 90.00 | 179.51 | 13600.02 | -13649.44 | 376.52 | 13654.51 | 0.00 | |
| 27900.00 | 90.00 | 179.51 | 13600.02 | -13749.44 | 377.37 | 13754.50 | 0.00 | |
| 28000.00 | 90.00 | 179.51 | 13600.02 | -13849.43 | 378.23 | 13854.49 | 0.00 | |
| 28100.00 | 90.00 | 179.51 | 13600.02 | -13949.43 | 379.09 | 13954.48 | 0.00 | |
| 28200.00 | 90.00 | 179.51 | 13600.02 | -14049.42 | 379.94 | 14054.47 | 0.00 | |
| 28300.00 | 90.00 | 179.51 | 13600.02 | -14149.42 | 380.80 | 14154.45 | 0.00 | |
| 28400.00 | 90.00 | 179.51 | 13600.02 | -14249.42 | 381.65 | 14254.44 | 0.00 | |
| 28500.00 | 90.00 | 179.51 | 13600.02 | -14349.41 | 382.51 | 14354.43 | 0.00 | |
| 28600.00 | 90.00 | 179.51 | 13600.02 | -14449.41 | 383.36 | 14454.42 | 0.00 | |
| 28700.00 | 90.00 | 179.51 | 13600.02 | -14549.41 | 384.22 | 14554.41 | 0.00 | |
| 28800.00 | 90.00 | 179.51 | 13600.02 | -14649.40 | 385.07 | 14654.40 | 0.00 | |
| 28900.00 | 90.00 | 179.51 | 13600.02 | -14749.40 | 385.93 | 14754.39 | 0.00 | |
| 29000.00 | 90.00 | 179.51 | 13600.02 | -14849.39 | 386.78 | 14854.38 | 0.00 | |
| 29100.00 | 90.00 | 179.51 | 13600.02 | -14949.39 | 387.64 | 14954.37 | 0.00 | |
| 29200.00 | 90.00 | 179.51 | 13600.02 | -15049.39 | 388.50 | 15054.36 | 0.00 | |
| 29300.00 | 90.00 | 179.51 | 13600.02 | -15149.38 | 389.35 | 15154.35 | 0.00 | |
| 29400.00 | 90.00 | 179.51 | 13600.02 | -15249.38 | 390.21 | 15254.33 | 0.00 | |
| 29500.00 | 90.00 | 179.51 | 13600.02 | -15349.38 | 391.06 | 15354.32 | 0.00 | |
| 29600.00 | 90.00 | 179.51 | 13600.02 | -15449.37 | 391.92 | 15454.31 | 0.00 | |
| 29700.00 | 90.00 | 179.51 | 13600.02 | -15549.37 | 392.77 | 15554.30 | 0.00 | |
| 29800.00 | 90.00 | 179.51 | 13600.02 | -15649.37 | 393.63 | 15654.29 | 0.00 | |
| 29900.00 | 90.00 | 179.51 | 13600.02 | -15749.36 | 394.48 | 15754.28 | 0.00 | |
| 30000.00 | 90.00 | 179.51 | 13600.02 | -15849.36 | 395.34 | 15854.27 | 0.00 | |
| 30100.00 | 90.00 | 179.51 | 13600.02 | -15949.35 | 396.20 | 15954.26 | 0.00 | |
| 30200.00 | 90.00 | 179.51 | 13600.02 | -16049.35 | 397.05 | 16054.25 | 0.00 | |
| 30300.00 | 90.00 | 179.51 | 13600.02 | -16149.35 | 397.91 | 16154.24 | 0.00 | |
| 30400.00 | 90.00 | 179.51 | 13600.02 | -16249.34 | 398.76 | 16254.22 | 0.00 | |
| 30500.00 | 90.00 | 179.51 | 13600.02 | -16349.34 | 399.62 | 16354.21 | 0.00 | |
| 30600.00 | 90.00 | 179.51 | 13600.02 | -16449.34 | 400.47 | 16454.20 | 0.00 | |
| 30700.00 | 90.00 | 179.51 | 13600.02 | -16549.33 | 401.33 | 16554.19 | 0.00 | |
| 30800.00 | 90.00 | 179.51 | 13600.02 | -16649.33 | 402.18 | 16654.18 | 0.00 | |
| 30900.00 | 90.00 | 179.51 | 13600.02 | -16749.33 | 403.04 | 16754.17 | 0.00 | |
| 31000.00 | 90.00 | 179.51 | 13600.02 | -16849.32 | 403.89 | 16854.16 | 0.00 | |
| 31100.00 | 90.00 | 179.51 | 13600.02 | -16949.32 | 404.75 | 16954.15 | 0.00 | |
| 31200.00 | 90.00 | 179.51 | 13600.02 | -17049.31 | 405.61 | 17054.14 | 0.00 | |
| 31300.00 | 90.00 | 179.51 | 13600.02 | -17149.31 | 406.46 | 17154.13 | 0.00 | |
| 31400.00 | 90.00 | 179.51 | 13600.02 | -17249.31 | 407.32 | 17254.12 | 0.00 | |
| 31500.00 | 90.00 | 179.51 | 13600.02 | -17349.30 | 408.17 | 17354.10 | 0.00 | |
| 31600.00 | 90.00 | 179.51 | 13600.02 | -17449.30 | 409.03 | 17454.09 | 0.00 | |
| 31613.52 | 90.00 | 179.51 | 13600.02 | -17462.82 | 409.14 | 17467.61 | 0.00 | exit |
| 31693.52 | 90.00 | 179.51 | 13600.00 | -17542.82 | 409.78 | 17547.61 | 0.00 | BHL |

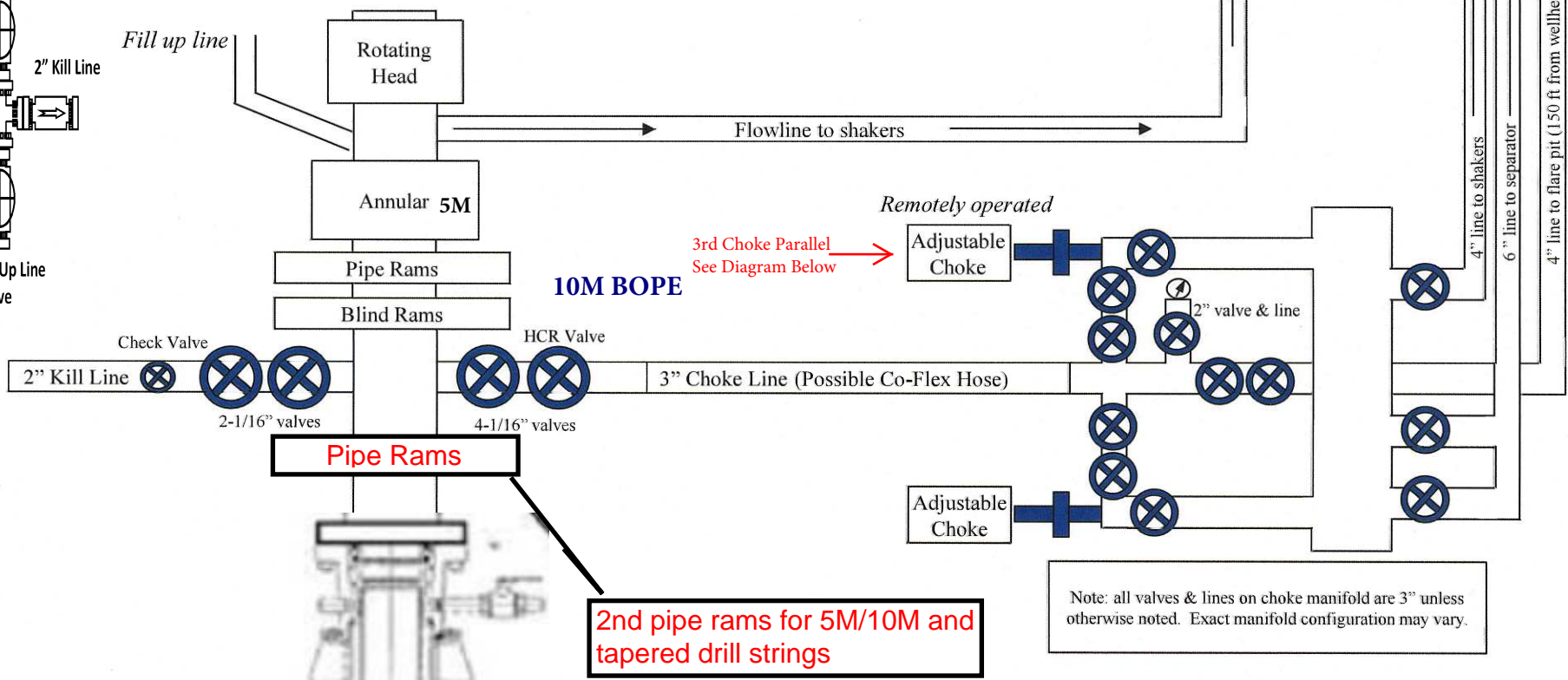
13-5/8" 7.5M BOPE & Closed Loop Equipment Schematic

10M Remote Kill Line Schematic

Outside Remote Kill Line Valve



Fill Up Line Valve



Fill up line

Rotating Head

Annular 5M

Pipe Rams

Blind Rams

10M BOPE

Check Valve

HCR Valve

2-1/16" valves

4-1/16" valves

Pipe Rams

3rd Choke Parallel See Diagram Below

Remotely operated

Adjustable Choke

2" valve & line

Adjustable Choke

Note: all valves & lines on choke manifold are 3" unless otherwise noted. Exact manifold configuration may vary.

2nd pipe rams for 5M/10M and tapered drill strings

Flowline to shakers

Closed Loop Equip Roll Off Bins & Tracks

Mud Pumps

Volume Tanks

Process Tanks

Shakers

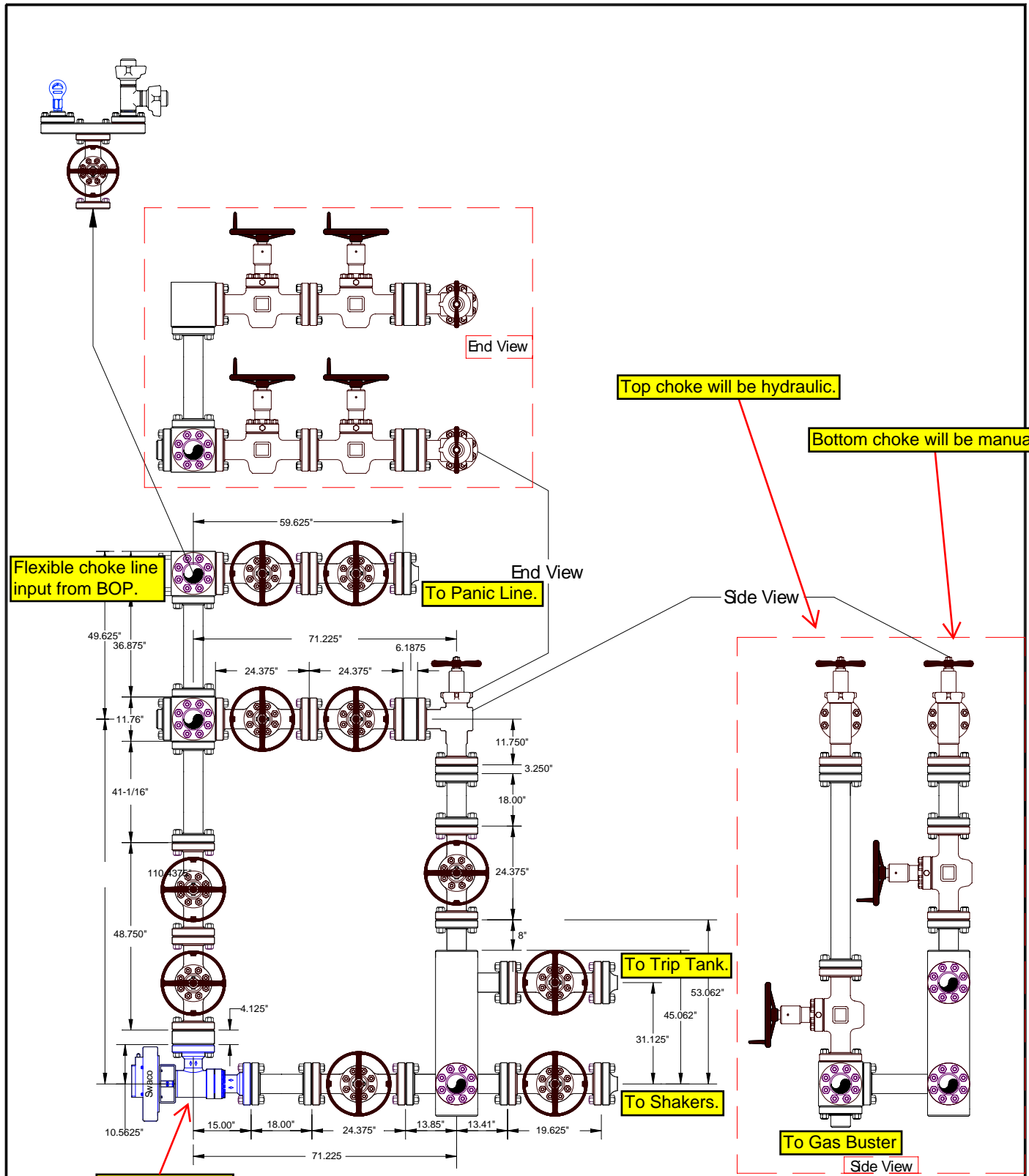
Separator

8" line to flare pit (150 ft from wellhead)

4" line to shakers

6" line to separator

4" line to flare pit (150 ft from wellhead)



Top choke will be hydraulic.

Bottom choke will be manual.

Flexible choke line input from BOP.

To Panic Line.

Side View

To Trip Tank.

To Shakers.

To Gas Buster

Hydraulic choke.

Helmerich & Payne
Flex 3 Rig w/ 3 Chokes



| | | | |
|------------------|-----------------|-----------------------|----------|
| Name: Mike Potts | Date: 6-23-2010 | Working Pressure: 10M | J-5132-E |
|------------------|-----------------|-----------------------|----------|

Devon Energy Annular Preventer Summary

General Procedure While Tripping

1. Sound alarm (alert crew)
2. Stab full opening safety valve and close
3. Space out drill string
4. Shut-in (uppermost applicable BOP, typically annular preventer first. HCR and choke will already be in the closed position.)
5. Confirm shut-in
6. Notify toolpusher/company representative
7. Read and record the following:
 - a. SIDPP and SICP
 - b. Pit gain
 - c. Time
8. Regroup and identify forward plan
9. If pressure has built or is anticipated during the kill to reach the RWP of the annular preventer, confirm spacing and swap to the upper pipe ram.

General Procedure While Running Casing

1. Sound alarm (alert crew)
2. Stab crossover and full opening safety valve and close
3. Space out string
4. Shut-in (uppermost applicable BOP, typically annular preventer first. HCR and choke will already be in the closed position.)
5. Confirm shut-in
6. Notify toolpusher/company representative
7. Read and record the following:
 - a. SIDPP and SICP
 - b. Pit gain
 - c. Time
8. Regroup and identify forward plan
9. If pressure has built or is anticipated during the kill to reach the RWP of the annular preventer, confirm spacing and swap to compatible pipe ram.

General Procedure With No Pipe In Hole (Open Hole)

1. Sound alarm (alert crew)
2. Shut-in with blind rams or BSR. (HCR and choke will already be in the closed position.)
3. Confirm shut-in
4. Notify toolpusher/company representative
5. Read and record the following:
 - a. SICP
 - b. Pit gain
 - c. Time
6. Regroup and identify forward plan

Devon Energy Annular Preventer Summary

General Procedures While Pulling BHA thru Stack

1. PRIOR to pulling last joint of drillpipe thru the stack.
 - a. Perform flowcheck, if flowing:
 - b. Sound alarm (alert crew)
 - c. Stab full opening safety valve and close
 - d. Space out drill string with tool joint just beneath the upper pipe ram.
 - e. Shut-in using upper pipe ram. (HCR and choke will already be in the closed position.)
 - f. Confirm shut-in
 - g. Notify toolpusher/company representative
 - h. Read and record the following:
 - i. SIDPP and SICP
 - ii. Pit gain
 - iii. Time
 - i. Regroup and identify forward plan

2. With BHA in the stack and compatible ram preventer and pipe combo immediately available.
 - a. Sound alarm (alert crew)
 - b. Stab crossover and full opening safety valve and close
 - c. Space out drill string with upset just beneath the compatible pipe ram.
 - d. Shut-in using compatible pipe ram. (HCR and choke will already be in the closed position.)
 - e. Confirm shut-in
 - f. Notify toolpusher/company representative
 - g. Read and record the following:
 - i. SIDPP and SICP
 - ii. Pit gain
 - iii. Time
 - h. Regroup and identify forward plan

3. With BHA in the stack and NO compatible ram preventer and pipe combo immediately available.
 - a. Sound alarm (alert crew)
 - b. If possible to pick up high enough, pull string clear of the stack and follow "Open Hole" scenario.
 - c. If impossible to pick up high enough to pull the string clear of the stack:
 - d. Stab crossover, make up one joint/stand of drillpipe, and full opening safety valve and close
 - e. Space out drill string with tooljoint just beneath the upper pipe ram.
 - f. Shut-in using upper pipe ram. (HCR and choke will already be in the closed position.)
 - g. Confirm shut-in
 - h. Notify toolpusher/company representative
 - i. Read and record the following:
 - i. SIDPP and SICP
 - ii. Pit gain
 - iii. Time
 - j. Regroup and identify forward plan

A multibowl wellhead may be used. The BOP will be tested per 43 CFR 3172 after installation on the surface casing which will cover testing requirements for a maximum of 30 days. If any seal subject to test pressure is broken the system must be tested.

Devon proposes using a multi-bowl wellhead assembly. Minimum working pressure of the blowout preventer (BOP) and related equipment (BOPE) required for drilling below the surface casing shoe shall be 10,000 (10M) psi.

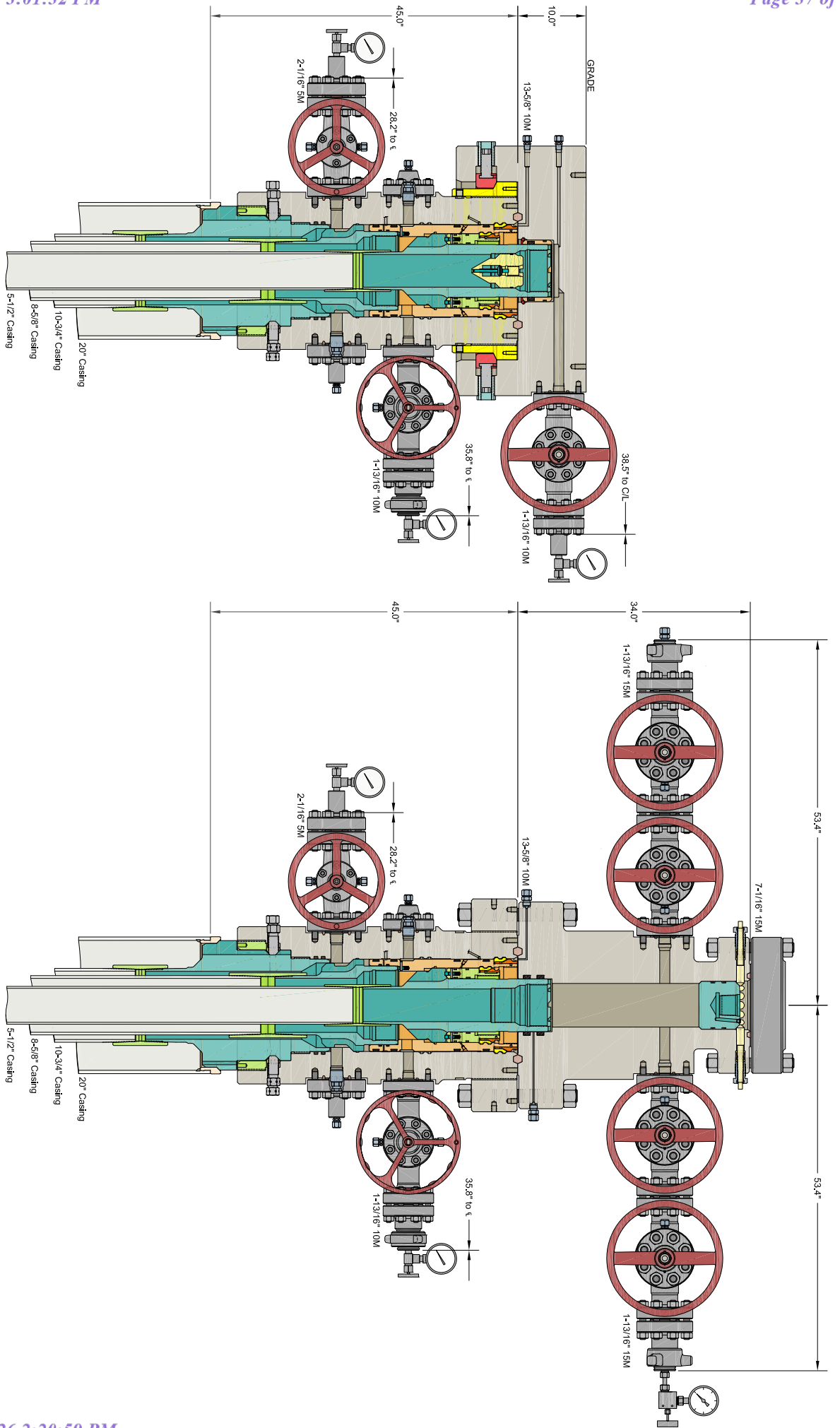
- Wellhead will be installed by wellhead representatives.
- If the welding is performed by a third party, the wellhead representative will monitor the temperature to verify that it does not exceed the maximum temperature of the seal.
- Wellhead representative will install the test plug for the initial BOP test.
- Wellhead company will install a solid steel body pack-off to completely isolate the lower head after cementing intermediate casing. After installation of the pack-off, the pack-off and the lower flange will be tested to 10M, as shown on the attached schematic. Everything above the pack-off will not have been altered whatsoever from the initial nipple up. Therefore the BOP components will not be retested at that time.
- If the cement does not circulate and one inch operations would have been possible with a standard wellhead, the well head will be cut and top out operations will be conducted.
- Devon will pressure test all seals above and below the mandrel (but still above the casing) to full working pressure rating.
- Devon will test the casing to 0.22 psi/ft or 1500 psi, whichever is greater, as per 43 CFR 3172.

After running the surface casing, a 13-5/8" BOP/BOPE system with a minimum rating of 10M will be installed on the wellhead system and will undergo a 250 psi low pressure test followed by a 10,000 psi high pressure test. The 10,000 psi high and 250 psi low test will cover testing requirements a maximum of 30 days, as per 43 CFR 3172. If the well is not complete within 30 days of this BOP test, another full BOP test will be conducted, as per 43 CFR 3172.

After running the intermediate casing with a mandrel hanger, the 13-5/8" BOP/BOPE system with a minimum rating of 10M will be installed and tested, with 5M annular being tested to 100% of rated working pressure.

The pipe rams will be operated and checked each 24 hour period and each time the drill pipe is out of the hole. These tests will be logged in the daily driller's log. A 2" kill line and 3" choke line will be incorporated into the drilling spool below the ram BOP. In addition to the rams and annular preventer, additional BOP accessories include a kelly cock, floor safety valve, choke lines, and choke manifold rated at 10,000 psi WP.

Devon's proposed wellhead manufactures will be FMC Technologies, Cactus Wellhead, or Cameron.



INFORMATION CONTAINED HEREIN IS THE PROPERTY OF CACTUS WELLHEAD, LLC. REPRODUCTION, DISCLOSURE, OR USE THEREOF IS PERMISSIBLE ONLY AS PROVIDED BY CONTRACT OR AS EXPRESSLY AUTHORIZED BY CACTUS WELLHEAD, LLC.

ALL DIMENSIONS APPROXIMATE

CACTUS WELLHEAD LLC

DEVON ENERGY CORPORATION
DELAWARE BASIN

10-3/4" x 8-5/8" x 5-1/2" 10M MBU-3T-CFL-R-DBLO Wellhead Sys.
With 8-5/8" And 5-1/2" Mandrel Casing Hangers
And 13-5/8" 10M x 7-1/16" 15M CTH-DBLHPS Tubing Head

| | | |
|-------------|------------|---------|
| DRAWN | DLE | 16SEP21 |
| APPRV | | |
| DRAWING NO. | HBE0000595 | |

PECOS DISTRICT DRILLING CONDITIONS OF APPROVAL

| | |
|-------------------------|------------------------------------|
| OPERATOR'S NAME: | Devon Energy Production Company LP |
| LOCATION: | Section 17, T.24 S., R.32 E., NMPM |
| COUNTY: | Eddy County, New Mexico |

| | |
|-----------------------------|-----------------------------------|
| WELL NAME & NO.: | Green Wave 17 32 Federal Com 800H |
| ATS/API ID: | ATS-25-1930 |
| APD ID: | 10400105662 |
| Sundry ID: | N/a |

| | |
|-----------------------------|-----------------------------------|
| WELL NAME & NO.: | Green Wave 17 32 Federal Com 801H |
| ATS/API ID: | ATS-25-1931 |
| APD ID: | 10400105668 |
| Sundry ID: | N/a |

| | |
|-----------------------------|-----------------------------------|
| WELL NAME & NO.: | Green Wave 17 32 Federal Com 802H |
| ATS/API ID: | ATS-25-1932 |
| APD ID: | 10400105764 |
| Sundry ID: | N/a |

| | |
|-----------------------------|-----------------------------------|
| WELL NAME & NO.: | Green Wave 17 32 Federal Com 803H |
| ATS/API ID: | ATS-25-1933 |
| APD ID: | 10400105769 |
| Sundry ID: | N/a |

| | |
|-----------------------------|-----------------------------------|
| WELL NAME & NO.: | Green Wave 17 32 Federal Com 820H |
| ATS/API ID: | ATS-25-1934 |
| APD ID: | 10400105669 |
| Sundry ID: | N/a |

| | |
|-----------------------------|-----------------------------------|
| WELL NAME & NO.: | Green Wave 17 32 Federal Com 821H |
| ATS/API ID: | ATS-25-1935 |
| APD ID: | 10400105762 |
| Sundry ID: | N/a |

| | |
|-----------------------------|-----------------------------------|
| WELL NAME & NO.: | Green Wave 17 32 Federal Com 822H |
| ATS/API ID: | ATS-25-1936 |
| APD ID: | 10400105779 |
| Sundry ID: | N/a |

| | |
|--|--|
| WELL NAME & NO.: ATS/API ID: APD ID: Sundry ID: | Green Wave 17 32 Federal Com 823H ATS-25-1937 10400105791 N/a |
| WELL NAME & NO.: ATS/API ID: APD ID: Sundry ID: | Green Wave 17 32 Federal Com 824H ATS-25-1938 10400105672 N/a |
| WELL NAME & NO.: ATS/API ID: APD ID: Sundry ID: | Green Wave 17 32 Federal Com 840H ATS-25-1939 10400105754 N/a |
| WELL NAME & NO.: ATS/API ID: APD ID: Sundry ID: | Green Wave 17 32 Federal Com 841H ATS-25-1940 10400105763 N/a |
| WELL NAME & NO.: ATS/API ID: APD ID: Sundry ID: | Green Wave 17 32 Federal Com 842H ATS-25-1941 10400105765 N/a |
| WELL NAME & NO.: ATS/API ID: APD ID: Sundry ID: | Green Wave 17 32 Federal Com 843H ATS-25-1942 10400105792 N/a |
| WELL NAME & NO.: ATS/API ID: APD ID: Sundry ID: | Green Wave 17 32 Federal Com 844H ATS-25-1943 10400105793 N/a |

COA

| | | | |
|-------------------------------|--|---|---|
| H2S | No | | |
| Potash | None | None | |
| Cave/Karst Potential | Low | | |
| Cave/Karst Potential | <input type="checkbox"/> Critical | | |
| Variance | <input checked="" type="checkbox"/> None | <input checked="" type="checkbox"/> Flex Hose | <input checked="" type="checkbox"/> Other |
| Wellhead | Conventional and Multibowl | | |
| Other | <input type="checkbox"/> 4 String <input type="checkbox"/> 5 String | Capitan Reef None | <input type="checkbox"/> WIPP |
| Other | Pilot Hole None | <input type="checkbox"/> Open Annulus | |
| Cementing | Contingency Squeeze Int 1 | Echo-Meter None | Primary Cement Squeeze None |
| Special Requirements | <input type="checkbox"/> Water Disposal/Injection | <input checked="" type="checkbox"/> COM | <input type="checkbox"/> Unit |
| Special Requirements | <input type="checkbox"/> Batch Sundry | Waste Prevention None | |
| Special Requirements Variance | <input type="checkbox"/> BOPE Break Testing <input type="checkbox"/> Offline BOPE Testing | <input type="checkbox"/> Offline Cementing | <input type="checkbox"/> Casing Clearance |

A. HYDROGEN SULFIDE

Hydrogen Sulfide (H₂S) monitors shall be installed prior to drilling out the surface shoe. If H₂S is detected in concentrations greater than 100 ppm, the Hydrogen Sulfide area shall meet **43 CFR part 3170 Subpart 3176**, which includes equipment and personnel/public protection items. If Hydrogen Sulfide is encountered, provide measured values and formations to the BLM.

B. CASING

1. The **10-3/4** inch surface casing shall be set at approximately **735 feet** (a minimum of 70 feet into the Rustler Anhydrite and above the salt when present, and below usable fresh water) and cemented to the surface. The surface hole shall be **14 3/4** inch in diameter.
 - a. If cement does not circulate to the surface, the appropriate BLM office shall be notified and a temperature survey utilizing an electronic type temperature survey with surface log readout will be used or a cement bond log shall be run to verify the top of the cement. Temperature survey will be run a minimum of six hours after pumping cement and ideally between 8-10 hours after completing the cement job.
 - b. Wait on cement (WOC) time for a primary cement job will be a minimum of **8 hours** or 500 pounds compressive strength, whichever is greater. (This is to include the lead cement)
 - c. Wait on cement (WOC) time for a remedial job will be a minimum of 4 hours after bringing cement to surface or 500 pounds compressive strength, whichever is greater.
 - d. If cement falls back, remedial cementing will be done prior to drilling out that string.

Intermediate casing must be kept fluid filled to meet BLM minimum collapse requirement.

2. The minimum required fill of cement behind the **8-5/8** inch intermediate casing is:
 - Cement to surface. If cement does not circulate see B.1.a, c-d above.

Operator has proposed to pump down **10-3/4" X 8-5/8"** annulus after primary cementing stage. Operator must run a CBL from TD of the 8-5/8" casing to surface. Submit results to the BLM. Operator may conduct a negative and positive pressure test during completion to remediate sustained casing pressure.

If cement does not tie-back into the previous casing shoe, a third stage remediation BH may be performed. The appropriate BLM office shall be notified.

Production casing must be kept fluid filled to meet BLM minimum collapse requirement.

3. The minimum required fill of cement behind the 5-1/2 inch production casing is:
 - Cement should tie-back at least **200 feet** into previous casing string. Operator shall provide method of verification.
Wait on cement (WOC) time for a primary cement job is to include the lead cement slurry due to cave/karst or potash. Cement excess is less than 25%, more cement is required if washout occurs. Adjust cement volume and excess based on a fluid caliper or similar method that reflects the as-drilled size of the wellbore.

C. PRESSURE CONTROL

1. Variance approved to use flex line from BOP to choke manifold. Manufacturer's specification to be readily available. No external damage to flex line. Flex line to be installed as straight as possible (no hard bends).'
- 2.

Option 1:

- a. Minimum working pressure of the blowout preventer (BOP) and related equipment (BOPE) required for drilling below the surface casing shoe shall be **10,000 (10M) psi. Variance is approved to use a 5000 (5M) Annular which shall be tested to 5000 (5M) psi.**
- b. Minimum working pressure of the blowout preventer (BOP) and related equipment (BOPE) required for drilling below the **8-5/8** inch intermediate casing shoe shall be **10,000 (10M) psi. Variance is approved to use a 5000 (5M) Annular which shall be tested to 5000 (5M) psi.**

Option 2:

Operator has proposed a multi-bowl wellhead assembly. This assembly will only be tested when installed on the **10-3/4** inch surface casing. Minimum working pressure of the blowout preventer (BOP) and related equipment (BOPE) required for drilling below the surface casing shoe shall be **10,000 (10M) psi. Variance is approved to use a 5000 (5M) Annular which shall be tested to 5000 (5M) psi.**

- a. Wellhead shall be installed by manufacturer's representatives, submit documentation with subsequent sundry.
- b. If the welding is performed by a third party, the manufacturer's representative shall monitor the temperature to verify that it does not exceed the maximum temperature of the seal.

- c. Manufacturer representative shall install the test plug for the initial BOP test.
- d. If the cement does not circulate and one inch operations would have been possible with a standard wellhead, the well head shall be cut off, cementing operations performed and another wellhead installed.
- e. Whenever any seal subject to test pressure is broken, all the tests in 43 CFR 3172.6(b)(9) must be followed.

D. SPECIAL REQUIREMENT (S)

Communitization Agreement

- The operator will submit a Communitization Agreement to the Santa Fe Office, 301 Dinosaur Trail Santa Fe, New Mexico 87508, at least 90 days before the anticipated date of first production from a well subject to a spacing order issued by the New Mexico Oil Conservation Division. The Communitization Agreement will include the signatures of all working interest owners in all Federal and Indian leases subject to the Communitization Agreement (i.e., operating rights owners and lessees of record), or certification that the operator has obtained the written signatures of all such owners and will make those signatures available to the BLM immediately upon request.
- The operator will submit an as-drilled survey well plat of the well completion, but are not limited to, those specified in **43 CFR part 3170 Subpart 3171**
- If the operator does not comply with this condition of approval, the BLM may take enforcement actions that include, but are not limited to, those specified in 43 CFR 3163.1.
- In addition, the well sign shall include the surface and bottom hole lease numbers. When the Communitization Agreement number is known, it shall also be on the sign.

GENERAL REQUIREMENTS

The BLM is to be notified in advance for a representative to witness:

- a. Spudding well (minimum of 24 hours)
- b. Setting and/or Cementing of all casing strings (minimum of 4 hours)
- c. BOPE tests (minimum of 4 hours)

Eddy County

EMAIL or call the Carlsbad Field Office, 620 East Greene St., Carlsbad, NM 88220,

BLM_NM_CFO_DrillingNotifications@BLM.GOV

(575) 361-2822

1. Unless the production casing has been run and cemented or the well has been properly plugged, the drilling rig shall not be removed from over the hole without prior approval.
 - a. In the event the operator has proposed to drill multiple wells utilizing a skid/walking rig. Operator shall secure the wellbore on the current well, after installing and testing the wellhead, by installing a blind flange of like pressure rating to the wellhead and a pressure gauge that can be monitored while drilling is performed on the other well(s).
 - b. When the operator proposes to set surface casing with Spudder Rig
 - Notify the BLM when moving in and removing the Spudder Rig.
 - Notify the BLM when moving in the 2nd Rig. Rig to be moved in within 90 days of notification that Spudder Rig has left the location.
 - BOP/BOPE test to be conducted per **43 CFR part 3170 Subpart 3172** as soon as 2nd Rig is rigged up on well.
2. Floor controls are required for 3M or Greater systems. These controls will be on the rig floor, unobstructed, readily accessible to the driller and will be operational at all times during drilling and/or completion activities. Rig floor is defined as the area immediately around the rotary table; the area immediately above the substructure on which the draw works are located, this does not include the dog house or stairway area.

A. CASING

1. Changes to the approved APD casing program need prior approval if the items substituted are of lesser grade or different casing size or are Non-API. The Operator can exchange the components of the proposal with that of superior strength (i.e. changing from J-55 to N-80, or from 36# to 40#). Changes to the approved cement program need prior approval if the altered cement plan has less volume or strength or

if the changes are substantial (i.e. Multistage tool, ECP, etc.). The initial wellhead installed on the well will remain on the well with spools used as needed.

2. Wait on cement (WOC) for Potash Areas: After cementing but before commencing any tests, the casing string shall stand cemented under pressure until both of the following conditions have been met: 1) cement reaches a minimum compressive strength of 500 psi for all cement blends of both lead and tail cement, 2) until cement has been in place at least 8 hours. WOC time will be recorded in the driller's log. The casing integrity test can be done (prior to the cement setting up) immediately after bumping the plug.
3. Wait on cement (WOC) for Water Basin: After cementing but before commencing any tests, the casing string shall stand cemented under pressure until both of the following conditions have been met: 1) cement reaches a minimum compressive strength of 500 psi at the shoe, 2) until cement has been in place at least 8 hours. WOC time will be recorded in the driller's log. See individual casing strings for details regarding lead cement slurry requirements. The casing integrity test can be done (prior to the cement setting up) immediately after bumping the plug.
4. Provide compressive strengths including hours to reach required 500 pounds compressive strength prior to cementing each casing string. Have well specific cement details onsite prior to pumping the cement for each casing string.
5. No pea gravel permitted for remedial or fall back remedial without prior authorization from the BLM engineer.
6. On that portion of any well approved for a 5M BOPE system or greater, a pressure integrity test of each casing shoe shall be performed. Formation at the shoe shall be tested to a minimum of the mud weight equivalent anticipated to control the formation pressure to the next casing depth or at total depth of the well. This test shall be performed before drilling more than 20 feet of new hole.
7. If hardband drill pipe is rotated inside casing, returns will be monitored for metal. If metal is found in samples, drill pipe will be pulled and rubber protectors which have a larger diameter than the tool joints of the drill pipe will be installed prior to continuing drilling operations.
8. Whenever a casing string is cemented in the R-111-P potash area, the NMOCD requirements shall be followed.

B. PRESSURE CONTROL

1. All blowout preventer (BOP) and related equipment (BOPE) shall comply with well control requirements as described in **43 CFR part 3170 Subpart 3172 and API STD 53 Sec. 5.3**.

2. If a variance is approved for a flexible hose to be installed from the BOP to the choke manifold, the following requirements apply: The flex line must meet the requirements of API 16C. Check condition of flexible line from BOP to choke manifold, replace if exterior is damaged or if line fails test. Line to be as straight as possible with no hard bends and is to be anchored according to Manufacturer's requirements. The flexible hose can be exchanged with a hose of equal size and equal or greater pressure rating. Anchor requirements, specification sheet and hydrostatic pressure test certification matching the hose in service, to be onsite for review. These documents shall be posted in the company man's trailer and on the rig floor.
3. 5M or higher system requires an HCR valve, remote kill line and annular to match. The remote kill line is to be installed prior to testing the system and tested to stack pressure.
4. If the operator has proposed a multi-bowl wellhead assembly in the APD. The following requirements must be met:
 - a. Wellhead shall be installed by manufacturer's representatives, submit documentation with subsequent sundry.
 - b. If the welding is performed by a third party, the manufacturer's representative shall monitor the temperature to verify that it does not exceed the maximum temperature of the seal.
 - c. Manufacturer representative shall install the test plug for the initial BOP test.
 - d. Whenever any seal subject to test pressure is broken, all the tests in 43 CFR 3172.6(b)(9) must be followed.
 - e. If the cement does not circulate and one inch operations would have been possible with a standard wellhead, the well head shall be cut off, cementing operations performed and another wellhead installed.
5. The appropriate BLM office shall be notified a minimum of 4 hours in advance for a representative to witness the tests.
 - a. In a water basin, for all casing strings utilizing slips, these are to be set as soon as the crew and rig are ready and any fallback cement remediation has been done. The casing cut-off and BOP installation can be initiated four hours after installing the slips, which will be approximately six hours after bumping the plug. For those casing strings not using slips, the minimum wait time before cut-off is eight hours after bumping the plug. BOP/BOPE testing can begin after cut-off or once cement reaches 500 psi compressive strength (including lead cement), whichever is greater. However, if the float does not hold, cut-off cannot be initiated until cement reaches 500 psi compressive strength (including lead when specified).
 - b. In potash areas, for all casing strings utilizing slips, these are to be set as soon as the crew and rig are ready and any fallback cement remediation has been

done. For all casing strings, casing cut-off and BOP installation can be initiated at twelve hours after bumping the cement plug. The BOPE test can be initiated after bumping the cement plug with the casing valve open. (only applies to single stage cement jobs, prior to the cement setting up.)

- c. The tests shall be done by an independent service company utilizing a test plug not a cup or J-packer and can be initiated immediately with the casing valve open. The operator also has the option of utilizing an independent tester to test without a plug (i.e. against the casing) pursuant to **43 CFR part 3170 Subpart 3172** with the pressure not to exceed 70% of the burst rating for the casing. Any test against the casing must meet the WOC time for 8 hours or 500 pounds compressive strength, whichever is greater, prior to initiating the test (see casing segment as lead cement may be critical item).
- d. The test shall be run on a 5000 psi chart for a 2-3M BOP/BOP, on a 10000 psi chart for a 5M BOP/BOPE and on a 15000 psi chart for a 10M BOP/BOPE. If a linear chart is used, it shall be a one hour chart. A circular chart shall have a maximum 2 hour clock. If a twelve hour or twenty-four hour chart is used, tester shall make a notation that it is run with a two hour clock.
- e. The results of the test shall be reported to the appropriate BLM office.
- f. All tests are required to be recorded on a calibrated test chart. A copy of the BOP/BOPE test chart and a copy of independent service company test will be submitted to the appropriate BLM office.
- g. The BOP/BOPE test shall include a low pressure test from 250 to 300 psi. The test will be held for a minimum of 10 minutes if test is done with a test plug and 30 minutes without a test plug. This test shall be performed prior to the test at full stack pressure.
- h. BOP/BOPE must be tested by an independent service company within 500 feet of the top of the Wolfcamp formation if the time between the setting of the intermediate casing and reaching this depth exceeds 20 days. This test does not exclude the test prior to drilling out the casing shoe as per **43 CFR part 3170 Subpart 3172**.

C. DRILLING MUD

Mud system monitoring equipment, with derrick floor indicators and visual and audio alarms, shall be operating before drilling into the Wolfcamp formation, and shall be used until production casing is run and cemented.

D. WASTE MATERIAL AND FLUIDS

All waste (i.e. drilling fluids, trash, salts, chemicals, sewage, gray water, etc.) created as a result of drilling operations and completion operations shall be safely contained and disposed of properly at a waste disposal facility. No waste material or fluid shall be disposed of on the well location or surrounding area.

Porto-johns and trash containers will be on-location during fracturing operations or any other crew-intensive operations.

Long Vo (LVO) 9/23/2025



Devon Energy
333 West Sheridan Avenue
Oklahoma City, Oklahoma 73102-5015

**Hydrogen Sulfide (H₂S)
Contingency Plan**

For

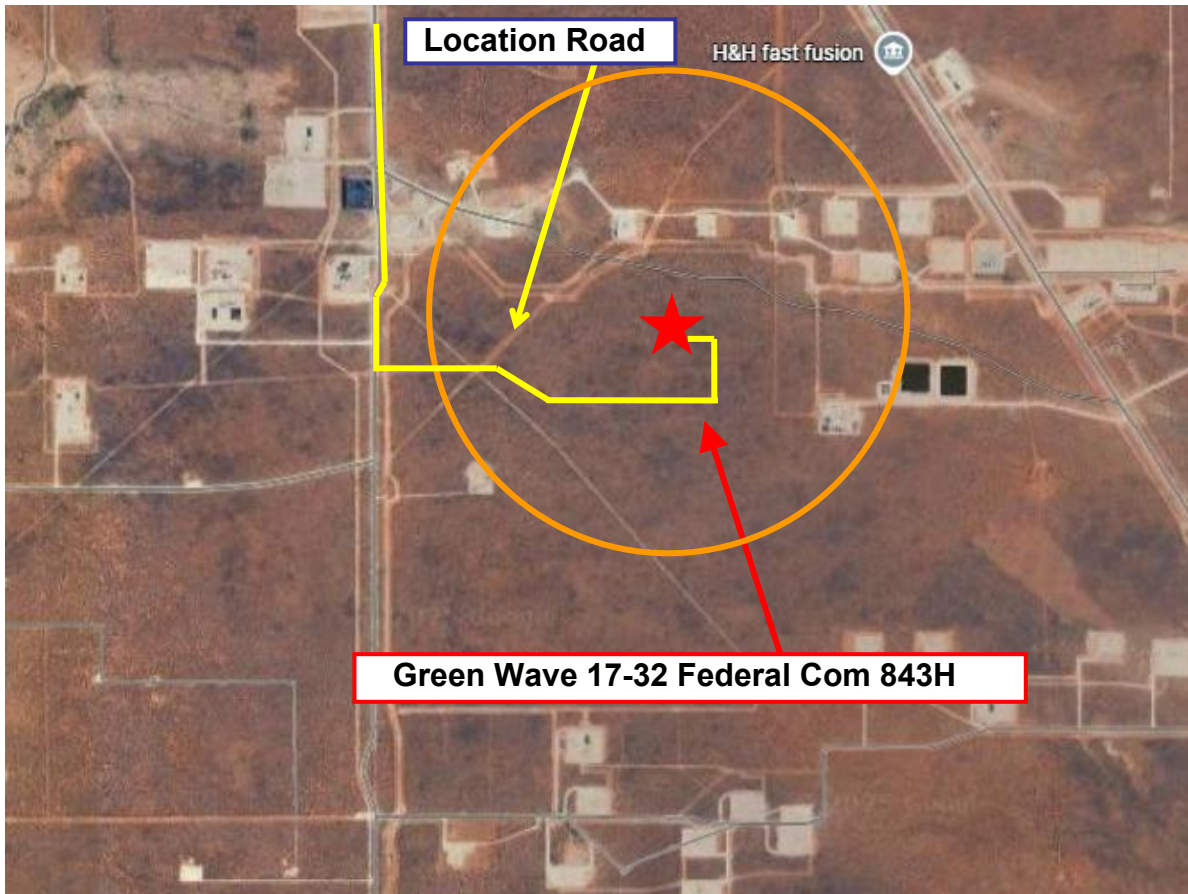
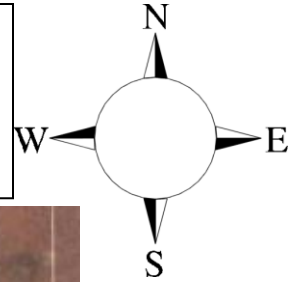
Green Wave 17-32 Federal Com 843H

**Sec-17, T-26S, R-34E
779' FNL & 1330' FEL
LAT. = 32.048555° N (NAD83)
LONG = 103.487666° W**

Lea County, NM

Green Wave 17-32 Federal Com 843H

This is an open drilling site. H₂S monitoring equipment and emergency response equipment will be used within 500' of zones known to contain H₂S, including warning signs, wind indicators and H₂S monitors.



Assumed 100 ppm ROE = 3000' (Radius of Exposure)
100 ppm H₂S concentration shall trigger activation of this plan.

Escape

Crews shall escape upwind of escaping gas in the event of an emergency release of gas. Escape can be facilitated from the location entrance road. Crews should then block the entrance to the location from the lease road so as not to allow anyone traversing into a hazardous area. The blockade should be at a safe distance outside of the ROE. There are no homes or buildings in or near the ROE.

Assumed 100 ppm ROE = 3000'

100 ppm H₂S concentration shall trigger activation of this plan.

Emergency Procedures

In the event of a release of gas containing H₂S, the first responder(s) must

- Isolate the area and prevent entry by other persons into the 100 ppm ROE.
- Evacuate any public places encompassed by the 100 ppm ROE.
- Be equipped with H₂S monitors and air packs in order to control the release.
- Use the “buddy system” to ensure no injuries occur during the response
- Take precautions to avoid personal injury during this operation.
- Contact operator and/or local officials to aid in operation. See list of phone numbers attached.
- Have received training in the
 - Detection of H₂S, and
 - Measures for protection against the gas, and
 - Equipment used for protection and emergency response.

Ignition of Gas Source

Should control of the well be considered lost and ignition considered, take care to protect against exposure to Sulfur Dioxide (SO₂). Intentional ignition must be coordinated with the NMOCD and local officials. Additionally the NM State Highway Police may become involved. NM State Police shall be the Incident Command on scene of any major release. Take care to protect downwind whenever there is an ignition of the gas

Characteristics of H₂S and SO₂

| Common Name | Chemical Formula | Specific Gravity | Threshold Limit | Hazardous Limit | Lethal Concentration |
|------------------|------------------|------------------|-----------------|-----------------|----------------------|
| Hydrogen Sulfide | H ₂ S | 1.189 Air = 1 | 10 ppm | 100 ppm/hr | 600 ppm |
| Sulfur Dioxide | SO ₂ | 2.21 Air = 1 | 2 ppm | N/A | 1000 ppm |

Contacting Authorities

Devon Energy Corp. personnel must liaison with local and state agencies to ensure a proper response to a major release. Additionally, the OCD must be notified of the release as soon as possible but no later than 4 hours. Agencies will ask for information such as type and volume of release, wind direction, location of release, etc. Be prepared with all information available. The following call list of essential and potential responders has been prepared for use during a release. Devon Energy Corp. Company response must be in coordination with the State of New Mexico's 'Hazardous Materials Emergency Response Plan' (HMER)

Hydrogen Sulfide Drilling Operation Plan

I. HYDROGEN SULFIDE (H₂S) TRAINING

All personnel, whether regularly assigned, contracted, or employed on an unscheduled basis, will receive training from a qualified instructor in the following areas prior to commencing drilling operations on this well:

1. The hazards and characteristics of hydrogen sulfide (H₂S)
2. The proper use and maintenance of personal protective equipment and life support systems.
3. The proper use of H₂S detectors, alarms, warning systems, briefing areas, evacuation procedures, and prevailing winds.
4. The proper techniques for first aid and rescue procedures.

In addition, supervisory personnel will be trained in the following areas:

1. The effects of H₂S metal components. If high tensile tubulars are to be used, personnel will be trained in their special maintenance requirements.
2. Corrective action and shut-in procedures when drilling or reworking a well and blowout prevention and well control procedures.
3. The contents and requirements of the H₂S Drilling Operations Plan.

There will be weekly H₂S and well control drills for all personnel in each crew.

II. HYDROGEN SULFIDE TRAINING

Note: All H₂S safety equipment and systems will be installed, tested, and operational when drilling reaches a depth of 500 feet above, or three days prior to penetrating the first zone containing or reasonably expected to contain H₂S.

1. Well Control Equipment

- A. Flare line
- B. Choke manifold – Remotely Operated
- C. Blind rams and pipe rams to accommodate all pipe sizes with properly sized closing unit
- D. Auxiliary equipment may include if applicable: annular preventer and rotating head.

E. Mud/Gas Separator

2. Protective equipment for essential personnel:

30-minute SCBA units located at briefing areas, as indicated on well site diagram, with escape units available in the top doghouse. As it may be difficult to communicate audibly while wearing these units, hand signals shall be utilized.

Fire extinguishers are located at various locations around the rig. First Aid supplies are located in the top doghouse and the rig manager's office.

3. H₂S detection and monitoring equipment:

Portable H₂S monitors positioned on location for best coverage and response. These units have warning lights which activate when H₂S levels reach 10 ppm and audible sirens which activate at 10 ppm.

Sensor locations:

- Bell nipple
- Possum Belly/Shale shaker
- Rig floor
- Choke manifold
- Cellar

Visual warning systems:

- A. Wind direction indicators as shown on well site diagram
- B. Caution/ Danger signs shall be posted on roads providing direct access to locations. Signs will be painted a high visibility yellow with black lettering of sufficient size to be reasonable distance from the immediate location. Bilingual signs will be used when appropriate.

4. Mud program:

The mud program has been designed to minimize the volume of H₂S circulated to surface. Proper mud weight, safe drilling practices and the use of H₂S scavengers will minimize hazards when penetrating H₂S bearing zones.

5. Metallurgy:

- A. All drill strings, casings, tubing, wellhead, blowout preventer, drilling spool, kill lines, choke manifold lines, and valves shall be H₂S trim.
- B. All elastomers used for packing and seals shall be H₂S trim.

6. Communication:

- A. Company personnel have/use cellular telephones in the field.
- B. Land line (telephone) communications at Office

7. Well testing:

- A. Drill stem testing will be performed with a minimum number of personnel in the immediate vicinity, which are necessary to safety and adequately conduct the test. The drill stem testing will be conducted during daylight hours and formation fluids will not be flowed to the surface. All drill-stem-testing operations conducted in an H₂S environment will use the closed chamber method of testing.
- B. There will be no drill stem testing.

| <u>Devon Energy Corp. Company Call List</u> | | | |
|--|------------------|---------------------|---------------------------|
| Employee/Company Contact Representative | Position | Phone Number | After Hours Number |
| Jonathan Fisher (North) | Drilling Manager | 832-967-7912 | |
| Jason Hildebrand (South) | Drilling Manager | 405-552-6514 | |
| Rich Downey | Drilling VP | 405-228-2415 | |
| Josh Harvey | EHS Manager | 405-228-2440 | 918-500-5536 |
| Laura Wright | EHS Supervisor | 405-552-5334 | 832-969-8145 |
| Robert Glover | EHS Professional | 575-703-5712 | 575-703-5712 |
| Lane Frank | Lead EHS | 580-579-7052 | 580-579-7052 |
| Rickey Porter | Lead EHS | 903-720-8315 | 903-720-8315 |
| Ronnie Handy | Lead EHS | 918-839-2046 | 918-839-2046 |
| Brock Vise | Lead EHS | 918-413-3291 | 918-413-3291 |

| Agency Call List | | |
|--|---|-------------------------------|
| <u>Lea County</u> <u>(575)</u> | Hobbs | |
| | Lea County Communication Authority | 397-9265 |
| | State Police | 885-3138 |
| | City Police | 397-9265 |
| | Sheriff's Office | 396-3611 |
| | Ambulance | 911 |
| | Fire Department | 397-9308 |
| | LEPC (Local Emergency Planning Committee) | 393-2870 |
| | NMOCD | 393-6161 |
| | US Bureau of Land Management (Closed) | 393-0002 |
| <u>Eddy County</u> <u>(575)</u> | Carlsbad | |
| | State Police | 885-3137 |
| | City Police | 885-2111 |
| | Sheriff's Office | 887-7551 |
| | Ambulance | 911 |
| | Fire Department | 885-3125 |
| | LEPC (Local Emergency Planning Committee) | 887-3798 |
| | US Bureau of Land Management | 234-5972 |
| | NM Emergency Response Commission (Santa Fe) | (505) 476-9600 |
| | 24 HR | (505) 827-9126 |
| | National Emergency Response Center | (800) 424-8802 |
| | National Pollution Control Center: Direct | (703) 872-6000 |
| | For Oil Spills | (800) 280-7118 |
| | Emergency Services | |
| | Wild Well Control | (281) 784-4700 |
| | Cudd Pressure Control | (915) 699-0139 (915) 563-3356 |
| | Halliburton | (575) 746-2757 |
| | B. J. Services | (575) 746-3569 |
| <u>Give GPS position:</u> | Native Air – Emergency Helicopter – Hobbs | (575) 347-9836 |
| | For Air Ambulance - Eddy County Dispatch | (575)-616-7155 |
| | For Air Ambulance - Lea County (LCCA) | (575)-397-9265 |
| | Poison Control (24/7) | (800) 222-1222 |
| | Oil & Gas Pipeline 24 Hour Service | (800) 364-4366 |
| | NOAA – Website - www.nhc.noaa.gov | |
| | National Pollution Control Center | 202-795-6958 |
| | NPCC – Oil Spills | 800-280-7118 |
| | | |

Sante Fe Main Office
Phone: (505) 476-3441

General Information
Phone: (505) 629-6116

Online Phone Directory
<https://www.emnrd.nm.gov/ocd/contact-us>

State of New Mexico
Energy, Minerals and Natural Resources
Oil Conservation Division
1220 S. St Francis Dr.
Santa Fe, NM 87505

ACKNOWLEDGMENTS

Action 535523

ACKNOWLEDGMENTS

| | |
|---|---|
| Operator: DEVON ENERGY PRODUCTION COMPANY, LP 333 West Sheridan Ave. Oklahoma City, OK 73102 | OGRID: 6137 |
| | Action Number: 535523 |
| | Action Type: [C-101] BLM - Federal/Indian Land Lease (Form 3160-3) |

ACKNOWLEDGMENTS

| | |
|-------------------------------------|--|
| <input checked="" type="checkbox"/> | I hereby certify that no additives containing PFAS chemicals will be added to the completion or recompletion of this well. |
|-------------------------------------|--|

Sante Fe Main Office
Phone: (505) 476-3441

General Information
Phone: (505) 629-6116

Online Phone Directory
<https://www.emnrd.nm.gov/ocd/contact-us>

State of New Mexico
Energy, Minerals and Natural Resources
Oil Conservation Division
1220 S. St Francis Dr.
Santa Fe, NM 87505

CONDITIONS

Action 535523

CONDITIONS

| | |
|---|---|
| Operator: DEVON ENERGY PRODUCTION COMPANY, LP 333 West Sheridan Ave. Oklahoma City, OK 73102 | OGRID: 6137 |
| | Action Number: 535523 |
| | Action Type: [C-101] BLM - Federal/Indian Land Lease (Form 3160-3) |

CONDITIONS

| Created By | Condition | Condition Date |
|------------------|---|----------------|
| wsalter | Cement is required to circulate on both surface and intermediate1 strings of casing. | 12/16/2025 |
| jeffrey.harrison | If the method of isolation was not by circulation, a CBL must be performed; if strata isolation is not achieved, then remediation will be required before further operations. | 3/11/2026 |
| jeffrey.harrison | Administrative order required for non-standard location prior to production. | 3/11/2026 |
| jeffrey.harrison | NSP required if not included in an existing order or not an infill to an appropriate defining well in the same pool and spacing unit. | 3/11/2026 |
| jeffrey.harrison | File As Drilled C-102 and a directional Survey with C-104 completion packet. | 3/11/2026 |
| jeffrey.harrison | Notify the OCD 24 hours prior to casing & cement. | 3/11/2026 |
| jeffrey.harrison | Once the well is spud, to prevent ground water contamination through whole or partial conduits from the surface, the operator shall drill without interruption through the fresh water zone or zones and shall immediately set in cement the water protection string. | 3/11/2026 |
| jeffrey.harrison | Oil base muds are not to be used until fresh water zones are cased and cemented providing isolation from the oil or diesel. This includes synthetic oils. Oil based mud, drilling fluids and solids must be contained in a steel closed loop system. | 3/11/2026 |