

Form 3160-3
(October 2024)

FORM APPROVED
OMB No. 1004-0220
Expires: October 31, 2027

UNITED STATES
DEPARTMENT OF THE INTERIOR
BUREAU OF LAND MANAGEMENT
APPLICATION FOR PERMIT TO DRILL OR REENTER

1a. Type of work: <input type="checkbox"/> DRILL <input type="checkbox"/> REENTER 1b. Type of Well: <input type="checkbox"/> Oil Well <input type="checkbox"/> Gas Well <input type="checkbox"/> Other 1c. Type of Completion: <input type="checkbox"/> Hydraulic Fracturing <input type="checkbox"/> Single Zone <input type="checkbox"/> Multiple Zone		5. Lease Serial No. 6. If Indian, Allottee or Tribe Name 7. If Unit or CA Agreement, Name and No. 8. Lease Name and Well No.
2. Name of Operator		9. API Well No. 30-025-56068
3a. Address	3b. Phone No. (include area code)	10. Field and Pool, or Exploratory
4. Location of Well (Report location clearly and in accordance with any State requirements. *) At surface At proposed prod. zone		11. Sec., T. R. M. or Blk. and Survey or Area
14. Distance in miles and direction from nearest town or post office*		12. County or Parish 13. State
15. Distance from proposed* location to nearest property or lease line, ft. (Also to nearest drig. unit line, if any)	16. No of acres in lease	17. Spacing Unit dedicated to this well
18. Distance from proposed location* to nearest well, drilling, completed, applied for, on this lease, ft.	19. Proposed Depth	20. BLM/BIA Bond No. in file
21. Elevations (Show whether DF, KDB, RT, GL, etc.)	22. Approximate date work will start*	23. Estimated duration

24. Attachments

The following, completed in accordance with the requirements of Onshore Oil and Gas Order No. 1, and the Hydraulic Fracturing rule per 43 CFR 3162.3-3 (as applicable)

- | | |
|---|---|
| 1. Well plat certified by a registered surveyor.
2. A Drilling Plan.
3. A Surface Use Plan (if the location is on National Forest System Lands, the SUPO must be filed with the appropriate Forest Service Office). | 4. Bond to cover the operations unless covered by an existing bond on file (see Item 20 above).
5. Operator certification.
6. Such other site specific information and/or plans as may be requested by the BLM. |
|---|---|

25. Signature	Name (Printed/Typed)	Date
Title		
Approved by (Signature)		
Name (Printed/Typed)		Date
Title		Office

Application approval does not warrant or certify that the applicant holds legal or equitable title to those rights in the subject lease which would entitle the applicant to conduct operations thereon.
 Conditions of approval, if any, are attached.

Title 18 U.S.C. Section 1001 and Title 43 U.S.C. Section 1212, make it a crime for any person knowingly and willfully to make to any department or agency of the United States any false, fictitious or fraudulent statements or representations as to any matter within its jurisdiction.



(Continued on page 2)

*(Instructions on page 2)

C-102 Submit Electronically Via OCD Permitting	State of New Mexico Energy, Minerals & Natural Resources Department OIL CONSERVATION DIVISION	Revised July 9, 2024	
	Submittal Type:	<input checked="" type="checkbox"/> Initial Submittal	
		<input type="checkbox"/> Amended Report	
		<input type="checkbox"/> As Drilled	

WELL LOCATION AND ACREAGE DEDICATION PLAT

API Number 30-025- 56068	Pool Code 24250	Pool Name FEATHERSTONE; BONE SPRING
Property Code 326210	Property Name UNCLE CHES 2116 FED COM	Well Number 113H
OGRID No. 228937	Operator Name MATADOR PRODUCTION COMPANY	Ground Level Elevation 3703'
Surface Owner: <input type="checkbox"/> State <input checked="" type="checkbox"/> Fee <input type="checkbox"/> Tribal <input type="checkbox"/> Federal		Mineral Owner: <input checked="" type="checkbox"/> State <input type="checkbox"/> Fee <input type="checkbox"/> Tribal <input checked="" type="checkbox"/> Federal

Surface Location

UL or lot no.	Section	Township	Range	Lot Idn	Feet from the N/S	Feet from the E/W	Latitude	Longitude	County
P	21	20-S	35-E	-	352' S	352' E	N 32.5523770	W 103.4548647	LEA

Bottom Hole Location

UL or lot no.	Section	Township	Range	Lot Idn	Feet from the N/S	Feet from the E/W	Latitude	Longitude	County
B	16	20-S	35-E	-	110' N	1980' E	N 32.5801604	W 103.4601603	LEA

Dedicated Acres 320	Infill or Defining Well Infill	Defining Well API 30-025-47340	Overlapping Spacing Unit (Y/N) N	Consolidated Code C
Order Numbers R-21279			Well Setbacks are under Common Ownership: <input checked="" type="checkbox"/> Yes <input type="checkbox"/> No	

Kick Off Point (KOP)

UL or lot no.	Section	Township	Range	Lot Idn	Feet from the N/S	Feet from the E/W	Latitude	Longitude	County
O	21	20-S	35-E	-	50' S	1980' E	N 32.5515375	W 103.4601471	LEA

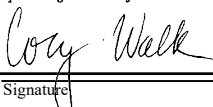
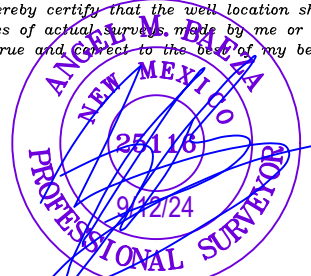
First Take Point (FTP)

UL or lot no.	Section	Township	Range	Lot Idn	Feet from the N/S	Feet from the E/W	Latitude	Longitude	County
O	21	20-S	35-E	-	100' S	1980' E	N 32.5516749	W 103.4601470	LEA

Last Take Point (LTP)

UL or lot no.	Section	Township	Range	Lot Idn	Feet from the N/S	Feet from the E/W	Latitude	Longitude	County
B	16	20-S	35-E	-	110' N	1980' E	N 32.5801604	W 103.4601603	LEA

Unitized Area or Area of Uniform Intrest W2E2 of Sec. 16 & 21, 20S-35E	Spacing Unity Type <input checked="" type="checkbox"/> Horizontal <input type="checkbox"/> Vertical	Ground Floor Elevation 3731'
--	--	--

<p>OPERATOR CERTIFICATION</p> <p><i>I hereby certify that the information contained herein is true and complete to the best of my knowledge and belief; and, if the well is a vertical or directional well, that this organization either owns a working interest or unleased mineral interest in the land including the proposed bottom hole location or has a right to drill this well at this location pursuant to a contract with an owner of a working interest or unleased mineral interest, or to a voluntary pooling agreement or a compulsory pooling order heretofore entered by the division.</i></p> <p><i>If this well is a horizontal well, I further certify that this organization has received The consent of at least one lessee or owner of a working interest or unleased mineral interest in each tract (in the target pool or formation) in which any part of the well's completed interval will be located or obtained a compulsory pooling order from the division.</i></p> <p style="text-align: right;">  10-28-2024 </p>	<p>SURVEYORS CERTIFICATION</p> <p><i>I hereby certify that the well location shown on this plat was plotted from field notes of actual surveys, made by me or under my supervision, and that the same is true and correct to the best of my belief.</i></p> <div style="text-align: center;">  </div> <p style="text-align: right;">9/12/24</p>
Signature Cory Walk	Signature and Seal of Professional Surveyor
Date 10-28-2024	Date 9/12/24
Print Name cory@permitswest.com	Certificate Number 25116
E-mail Address	Date of Survey 05/23/2024

S:\SURV\MATADOR_RESOURCE\UNCL_CHE_31205-5616\NA_PRODUCT\OCD\UNCL_CHE_3116_FED_COM\113H_REV1.dwg ADARIELLO.WTZ 04/15/24

<p>C-102</p> <p>Submit Electronically Via OCD Permitting</p>	<p>State of New Mexico Energy, Minerals & Natural Resources Department OIL CONSERVATION DIVISION</p>	<p>Revised July 9, 2024</p>		
		<table border="1" style="width:100%; border-collapse: collapse;"> <tr> <td style="width:15%; vertical-align: top;">Submittal Type:</td> <td> <input checked="" type="checkbox"/> Initial Submittal <input type="checkbox"/> Amended Report <input type="checkbox"/> As Drilled </td> </tr> </table>	Submittal Type:	<input checked="" type="checkbox"/> Initial Submittal <input type="checkbox"/> Amended Report <input type="checkbox"/> As Drilled
Submittal Type:	<input checked="" type="checkbox"/> Initial Submittal <input type="checkbox"/> Amended Report <input type="checkbox"/> As Drilled			
<p>Property Name and Well Number</p> <p style="text-align: center; font-weight: bold; font-size: 1.2em;">UNCLE CHES 2116 FED COM 113H</p>				

SURFACE LOCATION (SHL)
 NEW MEXICO EAST
 NAD 1983
 X=812012 Y=565802
 LAT.: N 32.5523770
 LONG.: W 103.4548647
NAD 1927
 X=770830 Y=565740
 LAT.: N 32.5522533
 LONG.: W 103.4543794
 352' FSL 352' FEL

KICK OFF POINT (KOP)
 NEW MEXICO EAST
 NAD 1983
 X=810386 Y=565483
 LAT.: N 32.5515375
 LONG.: W 103.4601471
NAD 1927
 X=769205 Y=565421
 LAT.: N 32.5514137
 LONG.: W 103.4596616
 50' FSL 1980' FEL

FIRST PERF. POINT (FPP)
 NEW MEXICO EAST
 NAD 1983
 X=810386 Y=565533
 LAT.: N 32.5516749
 LONG.: W 103.4601470
NAD 1927
 X=769204 Y=565471
 LAT.: N 32.5515512
 LONG.: W 103.4596615
 100' FSL 1980' FEL

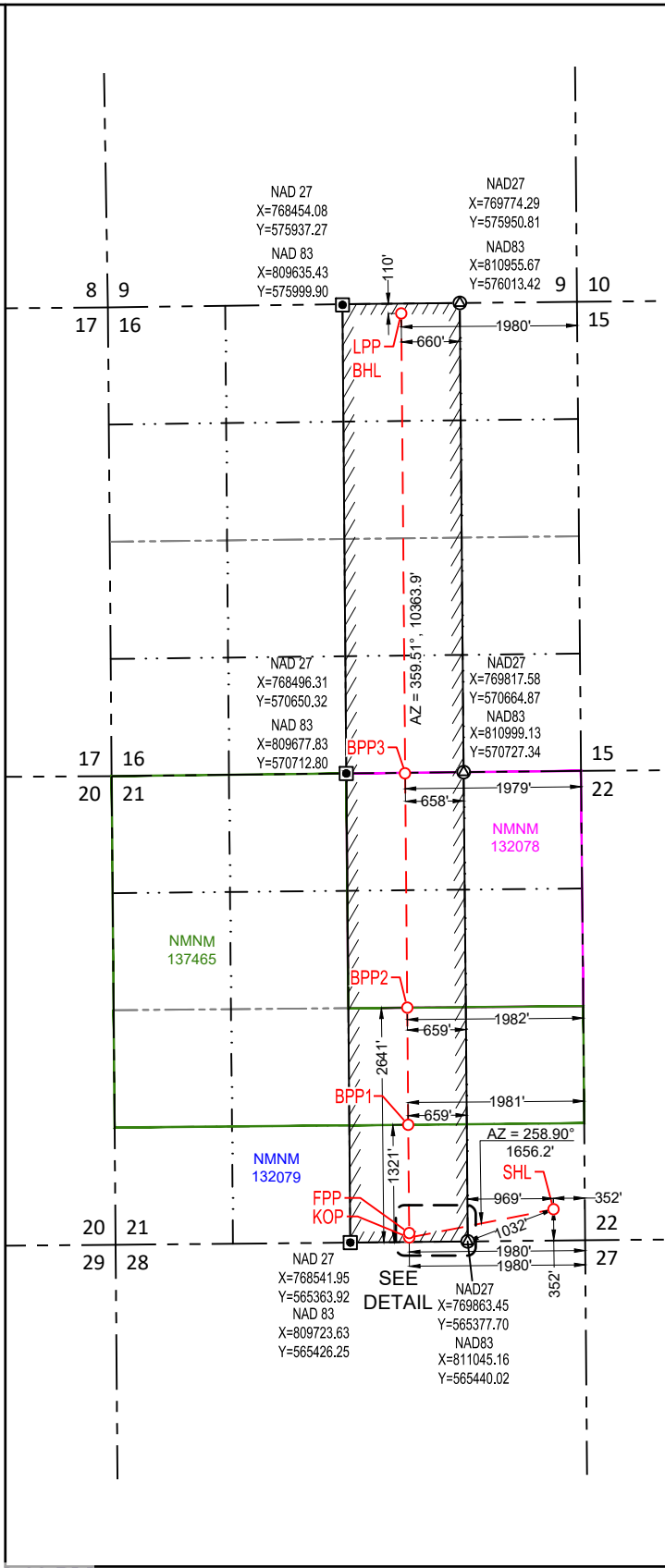
BLM PERF. POINT (BPP1)
 NEW MEXICO EAST
 NAD 1983
 X=810376 Y=566754
 LAT.: N 32.550296
 LONG.: W 103.4601486
NAD 1927
 X=769194 Y=566691
 LAT.: N 32.5549058
 LONG.: W 103.4596629
 1321' FSL 1981' FEL

BLM PERF. POINT (BPP2)
 NEW MEXICO EAST
 NAD 1983
 X=810364 Y=568074
 LAT.: N 32.5586591
 LONG.: W 103.4601503
NAD 1927
 X=769183 Y=568012
 LAT.: N 32.5585354
 LONG.: W 103.4596644
 2641' FSL 1982' FEL

BLM PERF. POINT (BPP3)
 NEW MEXICO EAST
 NAD 1983
 X=810341 Y=570720
 LAT.: N 32.5659319
 LONG.: W 103.4601537
NAD 1927
 X=769160 Y=570658
 LAT.: N 32.5658083
 LONG.: W 103.4596676
 0' FSL 1979' FEL

LAST PERF. POINT (LPP)
BOTTOM HOLE LOCATION (BHL)
 NEW MEXICO EAST
 NAD 1983
 X=810297 Y=575897
 LAT.: N 32.5801604
 LONG.: W 103.4601603
NAD 1927
 X=769116 Y=575834
 LAT.: N 32.5800367
 LONG.: W 103.4596735
 110' FNL 1980' FEL

DETAIL VIEW
SCALE: 1" = 500'



SURVEYORS CERTIFICATION
 I hereby certify that the well location shown on this plat was plotted from field notes of actual surveys made by me or under my supervision, and that the same is true and correct to the best of my belief.
 05/23/2024
 Date of Survey
 Signature and Seal of Professional Surveyor:

S:\SURVEY\WATER\RESOURCE\UNCLES_CHES_2116\FINAL_PRODUCT\UNCLES_CHES_2116_FED_COM_113H_REV1.dwg ADRIAN BELLA W 102204 7.02 AM

State of New Mexico
Energy, Minerals and Natural Resources Department

Submit Electronically
Via E-permitting

Oil Conservation Division
1220 South St. Francis Dr.
Santa Fe, NM 87505

NATURAL GAS MANAGEMENT PLAN

This Natural Gas Management Plan must be submitted with each Application for Permit to Drill (APD) for a new or recompleted well.

Section 1 – Plan Description
Effective May 25, 2021

I. Operator: Matador Production Company **OGRID:** 228937 **Date:** 9/16/2024

II. Type: Original Amendment due to 19.15.27.9.D(6)(a) NMAC 19.15.27.9.D(6)(b) NMAC Other.

If Other, please describe: _____

III. Well(s): Provide the following information for each new or recompleted well or set of wells proposed to be drilled or proposed to be recompleted from a single well pad or connected to a central delivery point.

Well Name	API	ULSTR	Footages	Anticipated Oil BBL/D	Anticipated Gas MCF/D	Anticipated Produced Water BBL/D
UNCLE CHES FED COM 111H	TBD	UL-N 21-20S-35E	290' FSL 1987' FWL	900	1500	1600
UNCLE CHES FED COM 112H	TBD	UL-N 21-20S-35E	260' FSL 1987' FWL	900	1500	1600
UNCLE CHES FED COM 113H	TBD	UL-P 21-20S-35E	352' FSL 352' FEL	900	1500	1600
UNCLE CHES FED COM 114H	TBD	UL-P 21-20S-35E	324' FSL 364' FEL	900	1500	1600
UNCLE CHES FED COM 131H	TBD	UL-N 21-20S-35E	290' FSL 1877' FWL	900	1500	1600
UNCLE CHES FED COM 132H	TBD	UL-N 21-20S-35E	260' FSL 1907' FWL	900	1500	1600
UNCLE CHES FED COM 133H	TBD	UL-P 21-20S-35E	395' FSL 454' FEL	900	1500	1600
UNCLE CHES FED COM 134H	TBD	UL-P 21-20S-35E	383' FSL 426' FEL	900	1500	1600
UNCLE CHES FED COM 215H	TBD	UL-N 21-20S-35E	260' FSL 1877' FWL	800	1700	2100
UNCLE CHES FED COM 217H	TBD	UL-P 21-20S-35E	367' FSL 465' FEL	800	1700	2100
UNCLE CHES FED COM 218H	TBD	UL-P 21-20S-35E	355' FSL 438' FEL	800	1700	2100

IV. Central Delivery Point Name: UNCLE CHES TB [See 19.15.27.9(D)(1) NMAC]

V. Anticipated Schedule: Provide the following information for each new or recompleted well or set of wells proposed to be drilled or proposed to be recompleted from a single well pad or connected to a central delivery point.

Well Name	API	Spud Date	TD Reached Date	Completion Commencement Date	Initial Flow Back Date	First Production Date
UNCLE CHES FED COM 111H	TBD	4/3/2026	4/27/2026	6/1/2026	8/1/2026	8/1/2026
UNCLE CHES FED COM 112H	TBD	4/28/2026	5/22/2026	6/1/2026	8/1/2026	8/1/2026
UNCLE CHES FED COM 113H	TBD	TBD	TBD	TBD	TBD	TBD
UNCLE CHES FED COM 114H	TBD	TBD	TBD	TBD	TBD	TBD

		3/9/2026	4/2/2026	6/1/2026	8/1/2026	8/1/2026
UNCLE CHES FED COM 132H	TBD	3/9/2026	4/2/2026	6/1/2026	8/1/2026	8/1/2026
UNCLE CHES FED COM 133H	TBD	TBD	TBD	TBD	TBD	TBD
UNCLE CHES FED COM 134H	TBD	TBD	TBD	TBD	TBD	TBD
UNCLE CHES FED COM 215H	TBD	TBD	TBD	TBD	TBD	TBD
UNCLE CHES FED COM 217H	TBD	TBD	TBD	TBD	TBD	TBD
UNCLE CHES FED COM 218H	TBD	TBD	TBD	TBD	TBD	TBD

VI. Separation Equipment: Attach a complete description of how Operator will size separation equipment to optimize gas capture.

VII. Operational Practices: Attach a complete description of the actions Operator will take to comply with the requirements of Subsection A through F of 19.15.27.8 NMAC.

VIII. Best Management Practices: Attach a complete description of Operator's best management practices to minimize venting during active and planned maintenance.

Section 2 – Enhanced Plan
EFFECTIVE APRIL 1, 2022

Beginning April 1, 2022, an operator that is not in compliance with its statewide natural gas capture requirement for the applicable reporting area must complete this section.

Operator certifies that it is not required to complete this section because Operator is in compliance with its statewide natural gas capture requirement for the applicable reporting area.

IX. Anticipated Natural Gas Production:

Well	API	Anticipated Average Natural Gas Rate MCF/D	Anticipated Volume of Natural Gas for the First Year MCF

X. Natural Gas Gathering System (NGGS):

Operator	System	ULSTR of Tie-in	Anticipated Gathering Start Date	Available Maximum Daily Capacity of System Segment Tie-in

XI. Map. Attach an accurate and legible map depicting the location of the well(s), the anticipated pipeline route(s) connecting the production operations to the existing or planned interconnect of the natural gas gathering system(s), and the maximum daily capacity of the segment or portion of the natural gas gathering system(s) to which the well(s) will be connected.

XII. Line Capacity. The natural gas gathering system will will not have capacity to gather 100% of the anticipated natural gas production volume from the well prior to the date of first production.

XIII. Line Pressure. Operator does does not anticipate that its existing well(s) connected to the same segment, or portion, of the natural gas gathering system(s) described above will continue to meet anticipated increases in line pressure caused by the new well(s).

Attach Operator’s plan to manage production in response to the increased line pressure.

XIV. Confidentiality: Operator asserts confidentiality pursuant to Section 71-2-8 NMSA 1978 for the information provided in Section 2 as provided in Paragraph (2) of Subsection D of 19.15.27.9 NMAC, and attaches a full description of the specific information for which confidentiality is asserted and the basis for such assertion.

Section 3 - Certifications**Effective May 25, 2021**

Operator certifies that, after reasonable inquiry and based on the available information at the time of submittal:

Operator will be able to connect the well(s) to a natural gas gathering system in the general area with sufficient capacity to transport one hundred percent of the anticipated volume of natural gas produced from the well(s) commencing on the date of first production, taking into account the current and anticipated volumes of produced natural gas from other wells connected to the pipeline gathering system; or

Operator will not be able to connect to a natural gas gathering system in the general area with sufficient capacity to transport one hundred percent of the anticipated volume of natural gas produced from the well(s) commencing on the date of first production, taking into account the current and anticipated volumes of produced natural gas from other wells connected to the pipeline gathering system.

If Operator checks this box, Operator will select one of the following:

Well Shut-In. Operator will shut-in and not produce the well until it submits the certification required by Paragraph (4) of Subsection D of 19.15.27.9 NMAC; or

Venting and Flaring Plan. Operator has attached a venting and flaring plan that evaluates and selects one or more of the potential alternative beneficial uses for the natural gas until a natural gas gathering system is available, including:

- (a) power generation on lease;
- (b) power generation for grid;
- (c) compression on lease;
- (d) liquids removal on lease;
- (e) reinjection for underground storage;
- (f) reinjection for temporary storage;
- (g) reinjection for enhanced oil recovery;
- (h) fuel cell production; and
- (i) other alternative beneficial uses approved by the division.

Section 4 - Notices


1. If, at any time after Operator submits this Natural Gas Management Plan and before the well is spud:

(a) Operator becomes aware that the natural gas gathering system it planned to connect the well(s) to has become unavailable or will not have capacity to transport one hundred percent of the production from the well(s), no later than 20 days after becoming aware of such information, Operator shall submit for OCD's approval a new or revised venting and flaring plan containing the information specified in Paragraph (5) of Subsection D of 19.15.27.9 NMAC; or

(b) Operator becomes aware that it has, cumulatively for the year, become out of compliance with its baseline natural gas capture rate or natural gas capture requirement, no later than 20 days after becoming aware of such information, Operator shall submit for OCD's approval a new or revised Natural Gas Management Plan for each well it plans to spud during the next 90 days containing the information specified in Paragraph (2) of Subsection D of 19.15.27.9 NMAC, and shall file an update for each Natural Gas Management Plan until Operator is back in compliance with its baseline natural gas capture rate or natural gas capture requirement.

2. OCD may deny or conditionally approve an APD if Operator does not make a certification, fails to submit an adequate venting and flaring plan which includes alternative beneficial uses for the anticipated volume of natural gas produced, or if OCD determines that Operator will not have adequate natural gas takeaway capacity at the time a well will be spud.

I certify that, after reasonable inquiry, the statements in and attached to this Natural Gas Management Plan are true and correct to the best of my knowledge and acknowledge that a false statement may be subject to civil and criminal penalties under the Oil and Gas Act.

Signature: 
Printed Name: Mark Gonzales
Title: Facilities Engineer
E-mail Address: mark.gonzales@matadorresources.com
Date: 9/16/24
Phone: (915) 240-3468
OIL CONSERVATION DIVISION (Only applicable when submitted as a standalone form)
Approved By:
Title:
Approval Date:
Conditions of Approval:

Addendum to Natural Gas Management Plan for Matador's

Uncle Ches Fed Com:

111H, 112H, 113H, 114H, 131H, 132H, 133H, 134H, 215H, 217H, 218H

VI. Separation Equipment

Flow from each well will be routed via a flowline to a 48"x15' three phase separator dedicated to the well. The first stage separators are sized with input from BRE ProMax and API 12J. Anticipated production rates for each well can be seen in the table below. Liquid retention times at expected maximum rates will be >3 minutes. Gas will be routed from the first stage separator to sales. Hydrocarbon liquids are dumped from the first stage separator and commingled to one or more heater treaters. The flash gas from the heater treater(s) could either be sent to sales or routed to a compressor if the sales line pressure is higher than the MAWP of the heater treater (125 psi). From the heater treaters, hydrocarbon liquid will be routed to the tanks where vapor is compressed by a VRU if technically feasible to either sales or a compressor if the sales line pressure is higher than the VRU's maximum discharge pressure (~150 psi). Therefore, Matador has sized our separation equipment to optimize gas capture, and our separation equipment is of sufficient size to handle the expected volumes of gas.

Well Name	Anticipated Oil BBL/D	Anticipated Gas MCF/D	Anticipated Produced Water BBL/D
UNCLE CHES FED COM 111H	900	1500	1600
UNCLE CHES FED COM 112H	900	1500	1600
UNCLE CHES FED COM 113H	900	1500	1600
UNCLE CHES FED COM 114H	900	1500	1600
UNCLE CHES FED COM 131H	900	1500	1600
UNCLE CHES FED COM 132H	900	1500	1600
UNCLE CHES FED COM 133H	900	1500	1600
UNCLE CHES FED COM 134H	900	1500	1600
UNCLE CHES FED COM 215H	800	1700	2100
UNCLE CHES FED COM 217H	800	1700	2100
UNCLE CHES FED COM 218H	800	1700	2100

VII. Operation Practices

Although not a complete recitation of all our efforts to comply with subsection A through F of 19.15.27.8 NMAC, a summary is as follows. During drilling, Matador will have a properly sized flare stack at least 100 feet from the nearest surface hole. During initial flowback we will route the flowback fluids into completion or storage tanks and, to the extent possible, flare rather than vent any gas. We will commence operation of a separator as soon as technically feasible and have

instructed our team that we want to connect the gas to sales as soon as possible but not later than 30 days after initial flowback.

Regarding production operations, we have designed our production facilities to be compliant with the requirements of Part E of 19.15.27.8 NMAC. We will instruct our team to perform the AVOs on the frequency required under the rules. While the well is producing, we will take steps to minimize flaring during maintenance, as set forth below, and we have a process in place for the measuring of any flared gas and the reporting of any reportable flaring events.

VII. Best Management Practices

Steps are taken to minimize venting during active or planned maintenance when technically feasible including:

- Isolating the affected component and reducing pressure through process piping
- Blowing down the equipment being maintained to a control device
- Performing preventative maintenance and minimizing the duration of maintenance activities
- Shutting in sources of supply as possible
- Other steps that are available depending on the maintenance being performed

Uncle Ches 2116 Fed Com 113H
 SHL: 352' FSL & 352' FEL Section 21
 BHL: 110' FNL & 1980' FEL Section 16
 Township/Range: 20S 35E
 Elevation Above Sea Level: 3703

Drilling Operation Plan

Proposed Drilling Depth: 20076' MD / 9730' TVD

Type of well: Horizontal well, no pilot hole

Permitted Well Type: Oil

Geologic Name of Surface Formation: Quaternary Deposits

KOP Lat/Long (NAD83): 32.5515375 N / -103.4601471 W

TD Lat/Long (NAD83): 32.5801604 N / -103.4601603 W

1. Estimated Tops

Formation	MD (ft)	TVD (ft)	Thickness (ft)	Lithology	Resource
Rustler	1,995	1,981	364	Anhydrite	Barren
Salado (Top of Salt)	2,368	2,345	1,293	Salt	Barren
Lamar (Base of Salt)	3,694	3,638	265	Salt	Barren
Yates	3,965	3,903	312	Salt	Barren
Seven Rivers	4,285	4,215	817	Dolomite	Oil/Natural Gas
Queen	5,123	5,032	832	Dolomite	Oil/Natural Gas
Cherry Canyon	5,976	5,864	1,019	Sandstone	Oil/Natural Gas
Brushy Canyon	7,021	6,883	1,569	Sandstone	Oil/Natural Gas
Bone Spring Lime	8,628	8,452	1,076	Limestone	Oil/Natural Gas
KOP	9,336	9,157	-	Carbonate	Oil/Natural Gas
1st Bone Spring Carb	9,739	9,528	125	Carbonate	Oil/Natural Gas
1st Bone Spring Sand	9,935	9,653	336	Sandstone	Oil/Natural Gas
TD	20,076	9,730		Sandstone	Oil/Natural Gas
2nd Bone Spring Carb	-	9,989		Carbonate	Oil/Natural Gas

2. Notable Zones

1st Bone Spring is the goal. All perforations will be within the setback requirements as prescribed or permitted by the New Mexico Oil Conservation Division. OSE estimated ground water depth at this location is 877'.

3. Pressure Control

Equipment

Drill Plan

A 12,000' 5000-psi BOP stack consisting of 3 rams with 2 pipe rams, 1 blind ram, and one annular preventer will be utilized below surface casing to TD. See attachments for BOP and choke manifold diagrams.

An accumulator complying with Title 43 CFR 3172 requirements for the pressure rating of the BOP stack will be present. A rotating head will also be installed as needed.

Testing Procedure

BOP will be inspected and operated as required in Title 43 CFR 3172. Kelly cock and sub equipped with a full opening valve sized to fit the drill pipe and collars will be available on the rig floor in the open position.

A third party company will test the BOPs.

After setting surface casing, a minimum 5M BOPE system will be installed. Test pressures will be 250 psi low and 5000 psi high with the annular preventer being tested to 250 psi low and 2500 psi high before drilling below surface shoe. In the event that the rig drills multiple wells on the pad and any seal subject to test pressures are broken, a full BOP test will be performed when the rig returns and the 5M BOPE system is re-installed.

Variance Request

Matador requests a variance to have the option of running a multi-bowl wellhead assembly for setting the Intermediate 1 and Production Strings. The BOPs will not be tested again unless any flanges are separated.

Matador requests a variance to drill this well using a co-flex line between the BOP and choke manifold. Certification for proposed co-flex hose is attached. The hose is not required by the manufacturer to be anchored. If the specific hose is not available, then one of equal or higher rating will be used.

Matador requests a variance to have the option of batch drilling this well with other wells on the same pad. In the event that this well is batch drilled, the wellbore will be secured with a blind flange of like pressure. When the rig returns to this well and BOPs are installed, the operator will perform a full BOP test.

Matador request the option to offline cement surface casing. The "Offline Cementing - Surface Procedure" is attached for review. No changes in cement program are necessary.

Matador request the option to offline cement intermediate casing. The "Offline Cementing - Intermediate Casing" Procedure is attached for review. No changes in cement program are necessary.

Matador request the option to break test the BOP during batch drilling operations. The "Modified BOP Testing Procedure for Batch Drilling" Procedure is attached for review.

4. Casing & Cement

All casing will be API and new. See attached casing assumption worksheet.

String	Hole Size (in)	Set MD (ft)	Set TVD (ft)	Casing Size (in)	Wt. (lb/ft)	Grade	Joint	Collapse	Burst	Tension
Surface	17.5	0 - 2020	0 - 2020	13.375	54.5	J-55	BUTT	1.125	1.125	1.8
Intermediate 1	12.25	0 - 6001	0 - 5889	9.625	40	SEAH-80	BUTT	1.125	1.125	1.8

Drill Plan

Production Top	7.875	0 - 9336	0 - 9157	5.5	20	P-110	Hunting TLW-SC	1.125	1.125	1.8
Production Btm	6.75	9336 - 20076	9157 - 9730	5.5	20	P-110	Hunting TLW-SC	1.125	1.125	1.8

- All casing strings will be tested in accordance with Title 43 CFR 3172.7(b)(8)
- Rustler top will be validated via drilling parameters (i.e. reduction in ROP) and surface casing setting depth revised accordingly if needed
- All non-API joint connections will be of like or greater quality, and as run specification sheets will be on location for review

Variance Request

Matador request a variance to wave the centralizer requirement for the 5-1/2" SF/Flush casing in the 6-3/4" hole.

If a DV tool is used, depth(s) will be adjusted based on hole conditions and cement volumes will be adjusted proportionally. DV tool will be set a minimum of 50 feet below previous casing and a minimum of 200 feet above the current shoe. Lab reports with the 500 psi compressive strength time for the cement will be onsite for review. Option to cancel 2nd stage cement if cement is circulated on 1st stage.

Matador request a variance to utilize a surface setting rig. If this is used, Matador request the option to drill either 17.5" or 20" surface hole, cement volumes will be adjusted accordingly.

Primary Cement Design - DV/Packer 2-Stage Cement

String	Type	Sacks	Yield	Cu. Ft.	Weight	Percent Excess	Top of Cement (ft)	Class	Blend
Surface	Lead	980	1.72	1681	13.5	50%	0	C	5% NaCl + LCM
	Tail	330	1.38	456	14.8	50%	1616	C	5% NaCl + LCM
Intermediate 1 w/ DV @ 3719'	Stg 2 Tail	740	1.78	1318	13.5	10%	0	A/C	5% NaCl + LCM
	Stg 1 Lead	1170	1.84	2150	12.5	50%	0	A/C	Bentonite + 1% CaCl ₂ + 8% NaCl + LCM
	Stg 1 Tail	380	1.33	503	14.8	50%	5001	A/C	5% NaCl + LCM
Production	Lead	200	3.66	731	11.5	25%	5801	A/C	Fluid Loss + Dispersant + Retarder + LCM
	Tail	860	1.35	1165	13.2	25%	9136	A/C	Fluid Loss + Dispersant + Retarder + LCM

5. Mud Program

An electronic Pason mud monitoring system complying with Title 43 CFR 3172 will be used. All necessary mud products (barite, bentonite, LCM) for weight addition and fluid loss control will be on location at all times. Mud program is subject to change due to hole conditions.

Hole Section	Hole Size (in)	Mud Type	Interval MD (ft)	Density (lb/gal)	Viscosity	Fluid Loss
Surface	17.5	Spud Mud	0 - 2020	8.4 - 8.8	28-30	NC

Intermediate 1	12.25	Brine	2020 - 6001	9.8 - 10.5	28-30	NC
Production	7.875 by 6.75	OBM/Cut Brine	6001 - 20076	8.8 - 9.8	30-55	<20

6. Cores, Test, & Logs

No core or drill stem test is planned.

No electric logs are planned at this time. GR will be collected through the MWD tools from Intermediate casing to TD. CBL with CCL will be run as far as gravity will let it fall to top of curve. We will be running a Neutron log on one of the wells on each pad.

7. Down Hole Conditions

No abnormal pressure or temperature is expected. Bottom hole pressure is 4958 psi. Maximum anticipated surface pressure is 2818 psi. Expected bottom hole temperature is 160 F.



In accordance with Title 43 CFR 3176, Matador does not anticipate that there will be enough H2S from the surface to the Bone Spring formations to meet the BLM's minimum requirements for the submission of an "H2S Drilling Operation Plan" or "Public Protection Plan" for the drilling and completion of this well. Since we have an H2S safety package on all wells, attached is an "H2S Drilling Operations Plan". Adequate flare lines will be installed off the mud/gas separator where gas may be flared safely. All personnel will be familiar with all aspects of safe operation of equipment being used.

Casing Table Specification Sheet

Uncle Ches 2116 Fed Com 113H
SHL: 352' FSL & 352' FEL Section 21
BHL: 110' FNL & 1980' FEL Section 16
Township/Range: 20S 35E
Elevation Above Sea Level: 3703

String	Hole Size (in)	Set MD (ft)	Set TVD (ft)	Casing Size (in)	Wt. (lb/ft)	Grade	Joint	Collapse	Burst	Tension
Surface	17.5	0 - 2020	0 - 2020	13.375	54.5	J-55	BUTT	1.125	1.125	1.8
Intermediate 1	12.25	0 - 6001	0 - 5889	9.625	40	SEAH-80	BUTT	1.125	1.125	1.8
Production Top	7.875	0 - 9336	0 - 9157	5.5	20	P-110	Hunting TLW-SC	1.125	1.125	1.8
Production Btm	6.75	9336 - 20076	9157 - 9730	5.5	20	P-110	Hunting TLW-SC	1.125	1.125	1.8

Casing Specs - 5.5" 20lb Hunting TLW-SC

	<h1 style="margin: 0;">TEC-LOCK WEDGE</h1> <p style="margin: 0;">5.500" 20 LB/FT (.361" Wall) with 5.875" SPECIAL CLEARANCE OD BEN P110 CY</p>																																													
	<p>Pipe Body Data</p> <table border="1" style="width: 100%; border-collapse: collapse;"> <tr><td>Nominal OD:</td><td>5.500</td><td>in</td></tr> <tr><td>Nominal Wall:</td><td>.361</td><td>in</td></tr> <tr><td>Nominal Weight:</td><td>20.00</td><td>lb/ft</td></tr> <tr><td>Plain End Weight:</td><td>19.83</td><td>lb/ft</td></tr> <tr><td>Material Grade:</td><td>P110 CY</td><td></td></tr> <tr><td>Mill/Specification:</td><td>BEN</td><td></td></tr> <tr><td>Yield Strength:</td><td>125,000</td><td>psi</td></tr> <tr><td>Tensile Strength:</td><td>135,000</td><td>psi</td></tr> <tr><td>Nominal ID:</td><td>4.778</td><td>in</td></tr> <tr><td>API Drift Diameter:</td><td>4.653</td><td>in</td></tr> <tr><td>Special Drift Diameter:</td><td>None</td><td>in</td></tr> <tr><td>RBW:</td><td>87.5 %</td><td></td></tr> <tr><td>Body Yield:</td><td>729,000</td><td>lbf</td></tr> <tr><td>Burst:</td><td>14,360</td><td>psi</td></tr> <tr><td>Collapse:</td><td>13,010</td><td>psi</td></tr> </table>	Nominal OD:	5.500	in	Nominal Wall:	.361	in	Nominal Weight:	20.00	lb/ft	Plain End Weight:	19.83	lb/ft	Material Grade:	P110 CY		Mill/Specification:	BEN		Yield Strength:	125,000	psi	Tensile Strength:	135,000	psi	Nominal ID:	4.778	in	API Drift Diameter:	4.653	in	Special Drift Diameter:	None	in	RBW:	87.5 %		Body Yield:	729,000	lbf	Burst:	14,360	psi	Collapse:	13,010	psi
	Nominal OD:	5.500	in																																											
	Nominal Wall:	.361	in																																											
Nominal Weight:	20.00	lb/ft																																												
Plain End Weight:	19.83	lb/ft																																												
Material Grade:	P110 CY																																													
Mill/Specification:	BEN																																													
Yield Strength:	125,000	psi																																												
Tensile Strength:	135,000	psi																																												
Nominal ID:	4.778	in																																												
API Drift Diameter:	4.653	in																																												
Special Drift Diameter:	None	in																																												
RBW:	87.5 %																																													
Body Yield:	729,000	lbf																																												
Burst:	14,360	psi																																												
Collapse:	13,010	psi																																												
<p>Connection Data</p> <table border="1" style="width: 100%; border-collapse: collapse;"> <tr><td>Standard OD:</td><td>5.875</td><td>in</td></tr> <tr><td>Pin Bored ID:</td><td>4.778</td><td>in</td></tr> <tr><td>Critical Section Area:</td><td>5.656</td><td>in²</td></tr> <tr><td>Tensile Efficiency:</td><td>97 %</td><td></td></tr> <tr><td>Compressive Efficiency:</td><td>100 %</td><td></td></tr> <tr><td>Longitudinal Yield Strength:</td><td>707,000</td><td>lbf</td></tr> <tr><td>Compressive Limit:</td><td>729,000</td><td>lbf</td></tr> <tr><td>Internal Pressure Rating:</td><td>14,360</td><td>psi</td></tr> <tr><td>External Pressure Rating:</td><td>13,010</td><td>psi</td></tr> <tr><td>Maximum Bend:</td><td>101.2</td><td>°/100ft</td></tr> </table>	Standard OD:	5.875	in	Pin Bored ID:	4.778	in	Critical Section Area:	5.656	in ²	Tensile Efficiency:	97 %		Compressive Efficiency:	100 %		Longitudinal Yield Strength:	707,000	lbf	Compressive Limit:	729,000	lbf	Internal Pressure Rating:	14,360	psi	External Pressure Rating:	13,010	psi	Maximum Bend:	101.2	°/100ft																
Standard OD:	5.875	in																																												
Pin Bored ID:	4.778	in																																												
Critical Section Area:	5.656	in ²																																												
Tensile Efficiency:	97 %																																													
Compressive Efficiency:	100 %																																													
Longitudinal Yield Strength:	707,000	lbf																																												
Compressive Limit:	729,000	lbf																																												
Internal Pressure Rating:	14,360	psi																																												
External Pressure Rating:	13,010	psi																																												
Maximum Bend:	101.2	°/100ft																																												
<p>Operational Data</p> <table border="1" style="width: 100%; border-collapse: collapse;"> <tr><td>Minimum Makeup Torque:</td><td>15,000</td><td>ft*lbf</td></tr> <tr><td>Optimum Makeup Torque:</td><td>18,700</td><td>ft*lbf</td></tr> <tr><td>Maximum Makeup Torque:</td><td>41,200</td><td>ft*lbf</td></tr> <tr><td>Minimum Yield:</td><td>45,800</td><td>ft*lbf</td></tr> <tr><td>Makeup Loss:</td><td>5.97</td><td>in</td></tr> </table>	Minimum Makeup Torque:	15,000	ft*lbf	Optimum Makeup Torque:	18,700	ft*lbf	Maximum Makeup Torque:	41,200	ft*lbf	Minimum Yield:	45,800	ft*lbf	Makeup Loss:	5.97	in																															
Minimum Makeup Torque:	15,000	ft*lbf																																												
Optimum Makeup Torque:	18,700	ft*lbf																																												
Maximum Makeup Torque:	41,200	ft*lbf																																												
Minimum Yield:	45,800	ft*lbf																																												
Makeup Loss:	5.97	in																																												
<p>Notes Operational Torque is equivalent to the Maximum Make-Up Torque</p>																																														
																																														

Generated on Sep 03, 2019

Casing Design Criteria and Load Case Assumptions

Surface Casing

Collapse: $DF_c = 1.125$

- a. Full Internal Evacuation: Collapse force equal to the mud gradient in which the casing will be run (0.43 psi/ft). The effects of axial load on collapse will be considered.
- b. Cementing: Collapse force equal to the gradient of planned cement slurries to planned depths and an internal force equal to mud gradient of displacement fluid (0.52 psi/ft).

Burst: $DF_b = 1.125$

- a. Pressure Test: Casing test per Onshore Oil and Gas Order No. 2 with an external force equal to the mud gradient in which the casing will be run (0.43 psi/ft), which is a more conservative backup force than pore

Tensile: $DF_f = 1.8$

- a. Overpull: A downward force of 100,000 lbs is applied at the shoe along with the weight of the casing string utilizing the effects of buoyancy.

Intermediate #1 Casing

Collapse: $DF_c = 1.125$

- a. Full Internal Evacuation: Collapse force equal to the mud gradient in which the casing will be run (0.52 psi/ft). The effects of axial load on collapse will be considered.
- b. Cementing: Collapse force equal to the gradient of planned cement slurries to planned depths and an internal force equal to mud gradient of displacement fluid (0.43 psi/ft).

Burst: $DF_b = 1.125$

- a. Pressure Test: Casing test per Title 43 CFR 3172 with an external force equal to the mud gradient in which the casing will be run (0.52 psi/ft), which is a more conservative backup force than pore pressure.
- b. Gas Kick Profile: Internal burst force at the shoe will be Fracture Pressure at that depth. Surface burst pressure will be fracture gradient at setting depth less a gas gradient to equivalent height of 50 bbl kick with Drill Pipe inside casing and mud gradient with which the next hole section will be run above that (0.47 psi/ft). External force will be equal to the mud gradient in which the casing will be run (0.52 psi/ft), which is a more conservative backup force than pore pressure.
- c. Fracture at Shoe with 1/3 BHP at Surface: Internal burst force at the shoe will be Fracture Pressure at setting depth. Internal burst force at surface will be 1/3 of pore pressure at setting depth. External force will be equal to the mud gradient in which the casing will be run (0.52 psi/ft) which is a more conservative backup force than pore pressure.

Tensile: $DF_f = 1.8$

- a. Overpull: A downward force of 100,000 lbs is applied at the shoe along with the weight of the casing string utilizing the effects of buoyancy.

Production Casing

Collapse: $DF_c = 1.125$

- a. Full Internal Evacuation: Collapse force equal to the mud gradient in which the casing will be run (0.65 psi/ft). The effects of axial load on collapse will be considered.
- b. Cementing: Collapse force equal to the gradient of planned cement slurries to planned depths and mud gradient in which the casing will be run above that (0.65 psi/ft) and an internal force equal to mud gradient of displacement fluid (0.43 psi/ft).

Burst: $DF_b = 1.125$

- a. Pressure Test: 8000 psi casing test with an external force equal to the mud gradient in which the casing will be run (0.65 psi/ft), which is a more conservative backup force than pore pressure.

Casing Design Criteria and Load Case Assumptions

- b. Injection Down Casing: 9500 psi surface injection pressure plus an internal pressure gradient of 0.65 psi/ft with an external force equal to the mud gradient in which the casing will be run (0.65 psi/ft), which is a more conservative backup force than pore pressure.

Tensile: $DF_f = 1.8$

- a. Overpull: A downward force of 100,000 lbs is applied at the shoe along with the weight of the casing string utilizing the effects of buoyancy.



9.625" 40# .395" SEAH-80 HIGH COLLAPSE

(SEAH-80 IS A NON HEAT TREATED PRODUCT)

Dimensions (Nominal)

Outside Diameter	9.625	in.
Wall	0.395	in.
Inside Diameter	8.835	in.
Drift	8.750	in.
Weight, T&C	40.000	lbs./ft.
Weight, PE	38.970	lbs./ft.

Performance Properties

Collapse	4230	psi
Internal Yield Pressure at Minimum Yield		
PE	5750	psi
LTC	5750	psi
BTC	5750	psi
Yield Strength, Pipe Body	916	1000 lbs.
Joint Strength		
LTC	737	1000 lbs.
BTC	979	1000 lbs.

Note: SeAH Steel has produced this specification sheet for general information only. SeAH does not assume liability or responsibility for any loss or injury resulting from the use of information or data contained herein. All applications for the material described are at the customer's own risk and responsibility.

Casing/Cementing Variance

Matador requests a variance to wave the centralizer requirement for the 5-1/2" SF/Flush casing in the 6-3/4" hole.

If a DV tool is used, depth(s) will be adjusted based on hole conditions and cement volumes will be adjusted proportionally. DV tool will be set a minimum of 50 feet below previous casing and a minimum of 200 feet above the current shoe. Lab reports with the 500 psi compressive strength time for the cement will be onsite for review. Matador requests the option to cancel 2nd stage cement if cement is circulated on 1st stage.

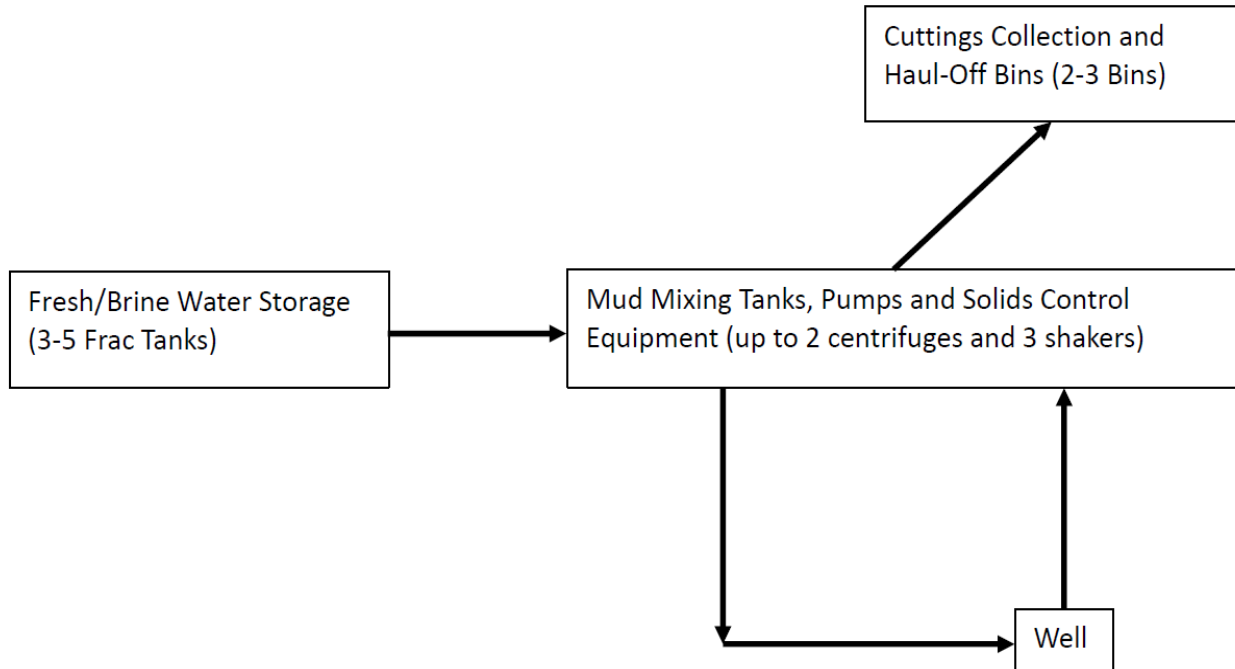
Matador requests a variance to utilize a surface setting rig. If this is used, Matador requests the option to drill either 17.5" or 20" surface hole.

Closed-Loop System

Uncle Ches 2116 Fed Com 113H
SHL: 352' FSL & 352' FEL Section 21

Township/Range: 20S 35E
Elevation Above Sea Level: 3703'

Closed-Loop System



Operating and Maintenance Plan:

During drilling operations, third party service companies will utilize solids control equipment to remove cuttings from the drilling fluids and collect it in haul-off bins. Equipment will be closely monitored at all times while drilling by the derrick man and the service company employees.

Closure Plan:

During drilling operations, third party service companies will haul off drill solids and fluids to an approved disposal facility. At the end of the well, all closed loop equipment will be removed from the location.

Matador Production Company

Ranger/Arrowhead

Uncle Ches

Uncle Ches 2116 Fed Com #113H

Wellbore #1

Plan: BLM Plan #1

Standard Planning Report

20 June, 2024

Planning Report

Database:	EDM 5000.14 Single User Db	Local Co-ordinate Reference:	Well Uncle Ches 2116 Fed Com #113H
Company:	Matador Production Company	TVD Reference:	KB @ 3731.5usft
Project:	Ranger/Arrowhead	MD Reference:	KB @ 3731.5usft
Site:	Uncle Ches	North Reference:	Grid
Well:	Uncle Ches 2116 Fed Com #113H	Survey Calculation Method:	Minimum Curvature
Wellbore:	Wellbore #1		
Design:	BLM Plan #1		

Project	Ranger/Arrowhead		
Map System:	US State Plane 1927 (Exact solution)	System Datum:	Mean Sea Level
Geo Datum:	NAD 1927 (NADCON CONUS)		
Map Zone:	New Mexico East 3001		Using geodetic scale factor

Site	Uncle Ches				
Site Position:		Northing:	565,810.22 usft	Latitude:	32° 33' 8.831 N
From:	Lat/Long	Easting:	770,577.81 usft	Longitude:	103° 27' 18.703 W
Position Uncertainty:	0.0 usft	Slot Radius:	13-3/16 "	Grid Convergence:	0.47 °

Well	Uncle Ches 2116 Fed Com #113H					
Well Position	+N/-S	-70.6 usft	Northing:	565,739.64 usft	Latitude:	32° 33' 8.112 N
	+E/-W	252.0 usft	Easting:	770,829.85 usft	Longitude:	103° 27' 15.766 W
Position Uncertainty		0.0 usft	Wellhead Elevation:		Ground Level:	3,703.0 usft

Wellbore	Wellbore #1				
Magnetics	Model Name	Sample Date	Declination (°)	Dip Angle (°)	Field Strength (nT)
	IGRF2015	6/20/2024	6.15	60.28	47,418.45179485

Design	BLM Plan #1			
Audit Notes:				
Version:	Phase:	PLAN	Tie On Depth:	0.0
Vertical Section:	Depth From (TVD) (usft)	+N/-S (usft)	+E/-W (usft)	Direction (°)
	0.0	0.0	0.0	359.51

Plan Survey Tool Program	Date	6/20/2024			
Depth From (usft)	Depth To (usft)	Survey (Wellbore)	Tool Name	Remarks	
1	0.0	20,076.9 BLM Plan #1 (Wellbore #1)	MWD	OWSG MWD - Standard	

Plan Sections										
Measured Depth (usft)	Inclination (°)	Azimuth (°)	Vertical Depth (usft)	+N/-S (usft)	+E/-W (usft)	Dogleg Rate (°/100usft)	Build Rate (°/100usft)	Turn Rate (°/100usft)	TFO (°)	Target
0.0	0.00	0.00	0.0	0.0	0.0	0.00	0.00	0.00	0.00	
1,000.0	0.00	0.00	1,000.0	0.0	0.0	0.00	0.00	0.00	0.00	
1,638.3	12.77	258.90	1,633.0	-13.6	-69.5	2.00	2.00	0.00	258.90	
8,385.0	12.77	258.90	8,213.0	-300.5	-1,532.4	0.00	0.00	0.00	0.00	
9,236.1	0.00	0.00	9,057.0	-318.7	-1,625.1	1.50	-1.50	0.00	180.00	
9,336.1	0.00	0.00	9,157.0	-318.7	-1,625.1	0.00	0.00	0.00	0.00	KOP - Uncle Ches 21
10,236.1	90.00	359.51	9,730.0	254.3	-1,630.0	10.00	10.00	0.00	359.51	
20,076.9	90.00	359.51	9,730.0	10,094.7	-1,714.3	0.00	0.00	0.00	0.00	BHL - Uncle Ches 211

Planning Report

Database:	EDM 5000.14 Single User Db	Local Co-ordinate Reference:	Well Uncle Ches 2116 Fed Com #113H
Company:	Matador Production Company	TVD Reference:	KB @ 3731.5usft
Project:	Ranger/Arrowhead	MD Reference:	KB @ 3731.5usft
Site:	Uncle Ches	North Reference:	Grid
Well:	Uncle Ches 2116 Fed Com #113H	Survey Calculation Method:	Minimum Curvature
Wellbore:	Wellbore #1		
Design:	BLM Plan #1		

Planned Survey									
Measured Depth (usft)	Inclination (°)	Azimuth (°)	Vertical Depth (usft)	+N-S (usft)	+E-W (usft)	Vertical Section (usft)	Dogleg Rate (°/100usft)	Build Rate (°/100usft)	Turn Rate (°/100usft)
0.0	0.00	0.00	0.0	0.0	0.0	0.0	0.00	0.00	0.00
100.0	0.00	0.00	100.0	0.0	0.0	0.0	0.00	0.00	0.00
200.0	0.00	0.00	200.0	0.0	0.0	0.0	0.00	0.00	0.00
300.0	0.00	0.00	300.0	0.0	0.0	0.0	0.00	0.00	0.00
400.0	0.00	0.00	400.0	0.0	0.0	0.0	0.00	0.00	0.00
500.0	0.00	0.00	500.0	0.0	0.0	0.0	0.00	0.00	0.00
600.0	0.00	0.00	600.0	0.0	0.0	0.0	0.00	0.00	0.00
700.0	0.00	0.00	700.0	0.0	0.0	0.0	0.00	0.00	0.00
800.0	0.00	0.00	800.0	0.0	0.0	0.0	0.00	0.00	0.00
900.0	0.00	0.00	900.0	0.0	0.0	0.0	0.00	0.00	0.00
1,000.0	0.00	0.00	1,000.0	0.0	0.0	0.0	0.00	0.00	0.00
Start Build 2.00									
1,100.0	2.00	258.90	1,100.0	-0.3	-1.7	-0.3	2.00	2.00	0.00
1,200.0	4.00	258.90	1,199.8	-1.3	-6.8	-1.3	2.00	2.00	0.00
1,300.0	6.00	258.90	1,299.5	-3.0	-15.4	-2.9	2.00	2.00	0.00
1,400.0	8.00	258.90	1,398.7	-5.4	-27.4	-5.1	2.00	2.00	0.00
1,500.0	10.00	258.90	1,497.5	-8.4	-42.7	-8.0	2.00	2.00	0.00
1,600.0	12.00	258.90	1,595.6	-12.0	-61.4	-11.5	2.00	2.00	0.00
1,638.3	12.77	258.90	1,633.0	-13.6	-69.5	-13.0	2.00	2.00	0.00
Start 6746.7 hold at 1638.3 MD									
1,700.0	12.77	258.90	1,693.2	-16.3	-82.9	-15.5	0.00	0.00	0.00
1,800.0	12.77	258.90	1,790.7	-20.5	-104.6	-19.6	0.00	0.00	0.00
1,900.0	12.77	258.90	1,888.3	-24.8	-126.2	-23.7	0.00	0.00	0.00
1,995.1	12.77	258.90	1,981.0	-28.8	-146.9	-27.5	0.00	0.00	0.00
Z (Rustler)									
2,000.0	12.77	258.90	1,985.8	-29.0	-147.9	-27.7	0.00	0.00	0.00
2,100.0	12.77	258.90	2,083.3	-33.3	-169.6	-31.8	0.00	0.00	0.00
2,200.0	12.77	258.90	2,180.8	-37.5	-191.3	-35.9	0.00	0.00	0.00
2,300.0	12.77	258.90	2,278.4	-41.8	-213.0	-39.9	0.00	0.00	0.00
2,368.3	12.77	258.90	2,345.0	-44.7	-227.8	-42.7	0.00	0.00	0.00
Z (Salado)									
2,400.0	12.77	258.90	2,375.9	-46.0	-234.7	-44.0	0.00	0.00	0.00
2,500.0	12.77	258.90	2,473.4	-50.3	-256.3	-48.1	0.00	0.00	0.00
2,600.0	12.77	258.90	2,571.0	-54.5	-278.0	-52.1	0.00	0.00	0.00
2,700.0	12.77	258.90	2,668.5	-58.8	-299.7	-56.2	0.00	0.00	0.00
2,800.0	12.77	258.90	2,766.0	-63.0	-321.4	-60.3	0.00	0.00	0.00
2,900.0	12.77	258.90	2,863.5	-67.3	-343.1	-64.3	0.00	0.00	0.00
3,000.0	12.77	258.90	2,961.1	-71.5	-364.8	-68.4	0.00	0.00	0.00
3,100.0	12.77	258.90	3,058.6	-75.8	-386.4	-72.5	0.00	0.00	0.00
3,200.0	12.77	258.90	3,156.1	-80.0	-408.1	-76.5	0.00	0.00	0.00
3,300.0	12.77	258.90	3,253.7	-84.3	-429.8	-80.6	0.00	0.00	0.00
3,400.0	12.77	258.90	3,351.2	-88.5	-451.5	-84.7	0.00	0.00	0.00
3,500.0	12.77	258.90	3,448.7	-92.8	-473.2	-88.7	0.00	0.00	0.00
3,600.0	12.77	258.90	3,546.2	-97.0	-494.9	-92.8	0.00	0.00	0.00
3,694.1	12.77	258.90	3,638.0	-101.0	-515.3	-96.6	0.00	0.00	0.00
Z (Base Salt)									
3,700.0	12.77	258.90	3,643.8	-101.3	-516.5	-96.9	0.00	0.00	0.00
3,800.0	12.77	258.90	3,741.3	-105.5	-538.2	-100.9	0.00	0.00	0.00
3,900.0	12.77	258.90	3,838.8	-109.8	-559.9	-105.0	0.00	0.00	0.00
3,965.8	12.77	258.90	3,903.0	-112.6	-574.2	-107.7	0.00	0.00	0.00
Z (Yates)									
4,000.0	12.77	258.90	3,936.4	-114.1	-581.6	-109.1	0.00	0.00	0.00
4,100.0	12.77	258.90	4,033.9	-118.3	-603.3	-113.1	0.00	0.00	0.00

Planning Report

Database:	EDM 5000.14 Single User Db	Local Co-ordinate Reference:	Well Uncle Ches 2116 Fed Com #113H
Company:	Matador Production Company	TVD Reference:	KB @ 3731.5usft
Project:	Ranger/Arrowhead	MD Reference:	KB @ 3731.5usft
Site:	Uncle Ches	North Reference:	Grid
Well:	Uncle Ches 2116 Fed Com #113H	Survey Calculation Method:	Minimum Curvature
Wellbore:	Wellbore #1		
Design:	BLM Plan #1		

Planned Survey										
Measured Depth (usft)	Inclination (°)	Azimuth (°)	Vertical Depth (usft)	+N/-S (usft)	+E/-W (usft)	Vertical Section (usft)	Dogleg Rate (°/100usft)	Build Rate (°/100usft)	Turn Rate (°/100usft)	
4,200.0	12.77	258.90	4,131.4	-122.6	-625.0	-117.2	0.00	0.00	0.00	
4,285.7	12.77	258.90	4,215.0	-126.2	-643.5	-120.7	0.00	0.00	0.00	
Z (Seven Rivers)										
4,300.0	12.77	258.90	4,228.9	-126.8	-646.6	-121.3	0.00	0.00	0.00	
4,400.0	12.77	258.90	4,326.5	-131.1	-668.3	-125.3	0.00	0.00	0.00	
4,500.0	12.77	258.90	4,424.0	-135.3	-690.0	-129.4	0.00	0.00	0.00	
4,600.0	12.77	258.90	4,521.5	-139.6	-711.7	-133.5	0.00	0.00	0.00	
4,700.0	12.77	258.90	4,619.1	-143.8	-733.4	-137.5	0.00	0.00	0.00	
4,800.0	12.77	258.90	4,716.6	-148.1	-755.1	-141.6	0.00	0.00	0.00	
4,900.0	12.77	258.90	4,814.1	-152.3	-776.7	-145.7	0.00	0.00	0.00	
5,000.0	12.77	258.90	4,911.6	-156.6	-798.4	-149.7	0.00	0.00	0.00	
5,100.0	12.77	258.90	5,009.2	-160.8	-820.1	-153.8	0.00	0.00	0.00	
5,123.4	12.77	258.90	5,032.0	-161.8	-825.2	-154.8	0.00	0.00	0.00	
Z (Queen)										
5,200.0	12.77	258.90	5,106.7	-165.1	-841.8	-157.9	0.00	0.00	0.00	
5,300.0	12.77	258.90	5,204.2	-169.3	-863.5	-161.9	0.00	0.00	0.00	
5,312.1	12.77	258.90	5,216.0	-169.8	-866.1	-162.4	0.00	0.00	0.00	
Z (Grayburg-Reef)										
5,400.0	12.77	258.90	5,301.7	-173.6	-885.2	-166.0	0.00	0.00	0.00	
5,500.0	12.77	258.90	5,399.3	-177.8	-906.8	-170.1	0.00	0.00	0.00	
5,600.0	12.77	258.90	5,496.8	-182.1	-928.5	-174.1	0.00	0.00	0.00	
5,700.0	12.77	258.90	5,594.3	-186.3	-950.2	-178.2	0.00	0.00	0.00	
5,800.0	12.77	258.90	5,691.9	-190.6	-971.9	-182.3	0.00	0.00	0.00	
5,900.0	12.77	258.90	5,789.4	-194.8	-993.6	-186.3	0.00	0.00	0.00	
5,976.5	12.77	258.90	5,864.0	-198.1	-1,010.2	-189.5	0.00	0.00	0.00	
Z (Cherry Canyon)										
6,000.0	12.77	258.90	5,886.9	-199.1	-1,015.3	-190.4	0.00	0.00	0.00	
6,100.0	12.77	258.90	5,984.4	-203.3	-1,036.9	-194.5	0.00	0.00	0.00	
6,200.0	12.77	258.90	6,082.0	-207.6	-1,058.6	-198.5	0.00	0.00	0.00	
6,300.0	12.77	258.90	6,179.5	-211.9	-1,080.3	-202.6	0.00	0.00	0.00	
6,400.0	12.77	258.90	6,277.0	-216.1	-1,102.0	-206.7	0.00	0.00	0.00	
6,500.0	12.77	258.90	6,374.6	-220.4	-1,123.7	-210.7	0.00	0.00	0.00	
6,600.0	12.77	258.90	6,472.1	-224.6	-1,145.4	-214.8	0.00	0.00	0.00	
6,700.0	12.77	258.90	6,569.6	-228.9	-1,167.0	-218.9	0.00	0.00	0.00	
6,800.0	12.77	258.90	6,667.1	-233.1	-1,188.7	-222.9	0.00	0.00	0.00	
6,900.0	12.77	258.90	6,764.7	-237.4	-1,210.4	-227.0	0.00	0.00	0.00	
7,000.0	12.77	258.90	6,862.2	-241.6	-1,232.1	-231.1	0.00	0.00	0.00	
7,021.3	12.77	258.90	6,883.0	-242.5	-1,236.7	-231.9	0.00	0.00	0.00	
Z (Brushy Canyon)										
7,100.0	12.77	258.90	6,959.7	-245.9	-1,253.8	-235.1	0.00	0.00	0.00	
7,200.0	12.77	258.90	7,057.3	-250.1	-1,275.5	-239.2	0.00	0.00	0.00	
7,300.0	12.77	258.90	7,154.8	-254.4	-1,297.1	-243.3	0.00	0.00	0.00	
7,400.0	12.77	258.90	7,252.3	-258.6	-1,318.8	-247.3	0.00	0.00	0.00	
7,500.0	12.77	258.90	7,349.8	-262.9	-1,340.5	-251.4	0.00	0.00	0.00	
7,600.0	12.77	258.90	7,447.4	-267.1	-1,362.2	-255.5	0.00	0.00	0.00	
7,700.0	12.77	258.90	7,544.9	-271.4	-1,383.9	-259.5	0.00	0.00	0.00	
7,800.0	12.77	258.90	7,642.4	-275.6	-1,405.6	-263.6	0.00	0.00	0.00	
7,900.0	12.77	258.90	7,740.0	-279.9	-1,427.2	-267.7	0.00	0.00	0.00	
8,000.0	12.77	258.90	7,837.5	-284.1	-1,448.9	-271.7	0.00	0.00	0.00	
8,100.0	12.77	258.90	7,935.0	-288.4	-1,470.6	-275.8	0.00	0.00	0.00	
8,200.0	12.77	258.90	8,032.5	-292.6	-1,492.3	-279.9	0.00	0.00	0.00	
8,300.0	12.77	258.90	8,130.1	-296.9	-1,514.0	-283.9	0.00	0.00	0.00	
8,385.0	12.77	258.90	8,213.0	-300.5	-1,532.4	-287.4	0.00	0.00	0.00	

Planning Report

Database:	EDM 5000.14 Single User Db	Local Co-ordinate Reference:	Well Uncle Ches 2116 Fed Com #113H
Company:	Matador Production Company	TVD Reference:	KB @ 3731.5usft
Project:	Ranger/Arrowhead	MD Reference:	KB @ 3731.5usft
Site:	Uncle Ches	North Reference:	Grid
Well:	Uncle Ches 2116 Fed Com #113H	Survey Calculation Method:	Minimum Curvature
Wellbore:	Wellbore #1		
Design:	BLM Plan #1		

Planned Survey									
Measured Depth (usft)	Inclination (°)	Azimuth (°)	Vertical Depth (usft)	+N/-S (usft)	+E/-W (usft)	Vertical Section (usft)	Dogleg Rate (°/100usft)	Build Rate (°/100usft)	Turn Rate (°/100usft)
Start Drop -1.50									
8,400.0	12.54	258.90	8,227.6	-301.1	-1,535.6	-288.0	1.50	-1.50	0.00
8,500.0	11.04	258.90	8,325.5	-305.1	-1,555.7	-291.8	1.50	-1.50	0.00
8,600.0	9.54	258.90	8,423.9	-308.5	-1,573.2	-295.1	1.50	-1.50	0.00
8,628.5	9.11	258.90	8,452.0	-309.4	-1,577.8	-295.9	1.50	-1.50	0.00
Z (Bone Spring Lime)									
8,700.0	8.04	258.90	8,522.7	-311.5	-1,588.2	-297.9	1.50	-1.50	0.00
8,800.0	6.54	258.90	8,621.9	-313.9	-1,600.7	-300.2	1.50	-1.50	0.00
8,900.0	5.04	258.90	8,721.4	-315.8	-1,610.6	-302.1	1.50	-1.50	0.00
9,000.0	3.54	258.90	8,821.1	-317.3	-1,617.9	-303.4	1.50	-1.50	0.00
9,080.0	2.34	258.90	8,901.0	-318.1	-1,621.9	-304.2	1.50	-1.50	0.00
Z (U. Avalon Shale)									
9,100.0	2.04	258.90	8,921.0	-318.2	-1,622.7	-304.3	1.50	-1.50	0.00
9,200.0	0.54	258.90	9,020.9	-318.7	-1,624.9	-304.7	1.50	-1.50	0.00
9,209.1	0.41	258.90	9,030.0	-318.7	-1,625.0	-304.8	1.50	-1.50	0.00
Z (Avalon Carb)									
9,236.1	0.00	0.00	9,057.0	-318.7	-1,625.1	-304.8	1.50	-1.50	0.00
Start 100.0 hold at 9236.1 MD									
9,300.0	0.00	0.00	9,120.9	-318.7	-1,625.1	-304.8	0.00	0.00	0.00
9,336.1	0.00	0.00	9,157.0	-318.7	-1,625.1	-304.8	0.00	0.00	0.00
Start Build 10.00 - KOP - Uncle Ches 2116 Fed Com #113H									
9,400.0	6.39	359.51	9,220.8	-315.1	-1,625.1	-301.2	10.00	10.00	0.00
9,481.6	14.56	359.51	9,301.0	-300.3	-1,625.2	-286.4	10.00	10.00	0.00
Z (L. Avalon Shale)									
9,500.0	16.39	359.51	9,318.7	-295.4	-1,625.3	-281.5	10.00	10.00	0.00
9,576.5	24.04	359.51	9,390.4	-269.0	-1,625.5	-255.1	10.00	10.00	0.00
FTP - Uncle Ches 2116 Fed Com #113H									
9,600.0	26.39	359.51	9,411.7	-259.0	-1,625.6	-245.0	10.00	10.00	0.00
9,700.0	36.39	359.51	9,497.0	-206.9	-1,626.0	-193.0	10.00	10.00	0.00
9,739.6	40.35	359.51	9,528.0	-182.4	-1,626.2	-168.4	10.00	10.00	0.00
Z (FSBC)									
9,800.0	46.39	359.51	9,571.9	-140.9	-1,626.6	-127.0	10.00	10.00	0.00
9,900.0	56.39	359.51	9,634.2	-62.9	-1,627.3	-48.9	10.00	10.00	0.00
9,935.7	59.96	359.51	9,653.0	-32.6	-1,627.5	-18.6	10.00	10.00	0.00
Z (FBSG)									
10,000.0	66.39	359.51	9,682.0	24.8	-1,628.0	38.7	10.00	10.00	0.00
10,100.0	76.39	359.51	9,713.9	119.5	-1,628.8	133.4	10.00	10.00	0.00
10,200.0	86.39	359.51	9,728.8	218.2	-1,629.7	232.1	10.00	10.00	0.00
10,236.1	90.00	359.51	9,730.0	254.3	-1,630.0	268.2	10.00	10.00	0.00
Start 9840.9 hold at 10236.1 MD									
10,300.0	90.00	359.51	9,730.0	318.2	-1,630.5	332.1	0.00	0.00	0.00
10,400.0	90.00	359.51	9,730.0	418.2	-1,631.4	432.1	0.00	0.00	0.00
10,500.0	90.00	359.51	9,730.0	518.2	-1,632.2	532.1	0.00	0.00	0.00
10,600.0	90.00	359.51	9,730.0	618.2	-1,633.1	632.1	0.00	0.00	0.00
10,700.0	90.00	359.51	9,730.0	718.2	-1,633.9	732.1	0.00	0.00	0.00
10,800.0	90.00	359.51	9,730.0	818.2	-1,634.8	832.1	0.00	0.00	0.00
10,900.0	90.00	359.51	9,730.0	918.2	-1,635.6	932.1	0.00	0.00	0.00
10,932.6	90.00	359.51	9,730.0	950.8	-1,635.9	964.8	0.00	0.00	0.00
BPP1 - Uncle Ches 2116 Fed Com #113H									
11,000.0	90.00	359.51	9,730.0	1,018.2	-1,636.5	1,032.1	0.00	0.00	0.00
11,100.0	90.00	359.51	9,730.0	1,118.2	-1,637.4	1,132.1	0.00	0.00	0.00
11,200.0	90.00	359.51	9,730.0	1,218.2	-1,638.2	1,232.1	0.00	0.00	0.00

Planning Report

Database:	EDM 5000.14 Single User Db	Local Co-ordinate Reference:	Well Uncle Ches 2116 Fed Com #113H
Company:	Matador Production Company	TVD Reference:	KB @ 3731.5usft
Project:	Ranger/Arrowhead	MD Reference:	KB @ 3731.5usft
Site:	Uncle Ches	North Reference:	Grid
Well:	Uncle Ches 2116 Fed Com #113H	Survey Calculation Method:	Minimum Curvature
Wellbore:	Wellbore #1		
Design:	BLM Plan #1		

Planned Survey										
Measured Depth (usft)	Inclination (°)	Azimuth (°)	Vertical Depth (usft)	+N/-S (usft)	+E/-W (usft)	Vertical Section (usft)	Dogleg Rate (°/100usft)	Build Rate (°/100usft)	Turn Rate (°/100usft)	
11,300.0	90.00	359.51	9,730.0	1,318.2	-1,639.1	1,332.1	0.00	0.00	0.00	
11,400.0	90.00	359.51	9,730.0	1,418.2	-1,639.9	1,432.1	0.00	0.00	0.00	
11,500.0	90.00	359.51	9,730.0	1,518.1	-1,640.8	1,532.1	0.00	0.00	0.00	
11,600.0	90.00	359.51	9,730.0	1,618.1	-1,641.6	1,632.1	0.00	0.00	0.00	
11,700.0	90.00	359.51	9,730.0	1,718.1	-1,642.5	1,732.1	0.00	0.00	0.00	
11,800.0	90.00	359.51	9,730.0	1,818.1	-1,643.3	1,832.1	0.00	0.00	0.00	
11,900.0	90.00	359.51	9,730.0	1,918.1	-1,644.2	1,932.1	0.00	0.00	0.00	
12,000.0	90.00	359.51	9,730.0	2,018.1	-1,645.1	2,032.1	0.00	0.00	0.00	
12,100.0	90.00	359.51	9,730.0	2,118.1	-1,645.9	2,132.1	0.00	0.00	0.00	
12,200.0	90.00	359.51	9,730.0	2,218.1	-1,646.8	2,232.1	0.00	0.00	0.00	
12,253.4	90.00	359.51	9,730.0	2,271.5	-1,647.2	2,285.5	0.00	0.00	0.00	
BPP2 - Uncle Ches 2116 Fed Com #113H										
12,300.0	90.00	359.51	9,730.0	2,318.1	-1,647.6	2,332.1	0.00	0.00	0.00	
12,400.0	90.00	359.51	9,730.0	2,418.1	-1,648.5	2,432.1	0.00	0.00	0.00	
12,500.0	90.00	359.51	9,730.0	2,518.1	-1,649.3	2,532.1	0.00	0.00	0.00	
12,600.0	90.00	359.51	9,730.0	2,618.1	-1,650.2	2,632.1	0.00	0.00	0.00	
12,700.0	90.00	359.51	9,730.0	2,718.1	-1,651.0	2,732.1	0.00	0.00	0.00	
12,800.0	90.00	359.51	9,730.0	2,818.1	-1,651.9	2,832.1	0.00	0.00	0.00	
12,900.0	90.00	359.51	9,730.0	2,918.1	-1,652.8	2,932.1	0.00	0.00	0.00	
13,000.0	90.00	359.51	9,730.0	3,018.1	-1,653.6	3,032.1	0.00	0.00	0.00	
13,100.0	90.00	359.51	9,730.0	3,118.1	-1,654.5	3,132.1	0.00	0.00	0.00	
13,200.0	90.00	359.51	9,730.0	3,218.1	-1,655.3	3,232.1	0.00	0.00	0.00	
13,300.0	90.00	359.51	9,730.0	3,318.1	-1,656.2	3,332.1	0.00	0.00	0.00	
13,400.0	90.00	359.51	9,730.0	3,418.1	-1,657.0	3,432.1	0.00	0.00	0.00	
13,500.0	90.00	359.51	9,730.0	3,518.1	-1,657.9	3,532.1	0.00	0.00	0.00	
13,600.0	90.00	359.51	9,730.0	3,618.1	-1,658.7	3,632.1	0.00	0.00	0.00	
13,700.0	90.00	359.51	9,730.0	3,718.1	-1,659.6	3,732.1	0.00	0.00	0.00	
13,800.0	90.00	359.51	9,730.0	3,818.1	-1,660.4	3,832.1	0.00	0.00	0.00	
13,900.0	90.00	359.51	9,730.0	3,918.1	-1,661.3	3,932.1	0.00	0.00	0.00	
14,000.0	90.00	359.51	9,730.0	4,018.1	-1,662.2	4,032.1	0.00	0.00	0.00	
14,100.0	90.00	359.51	9,730.0	4,118.1	-1,663.0	4,132.1	0.00	0.00	0.00	
14,200.0	90.00	359.51	9,730.0	4,218.0	-1,663.9	4,232.1	0.00	0.00	0.00	
14,300.0	90.00	359.51	9,730.0	4,318.0	-1,664.7	4,332.1	0.00	0.00	0.00	
14,400.0	90.00	359.51	9,730.0	4,418.0	-1,665.6	4,432.1	0.00	0.00	0.00	
14,500.0	90.00	359.51	9,730.0	4,518.0	-1,666.4	4,532.1	0.00	0.00	0.00	
14,600.0	90.00	359.51	9,730.0	4,618.0	-1,667.3	4,632.1	0.00	0.00	0.00	
14,700.0	90.00	359.51	9,730.0	4,718.0	-1,668.1	4,732.1	0.00	0.00	0.00	
14,800.0	90.00	359.51	9,730.0	4,818.0	-1,669.0	4,832.1	0.00	0.00	0.00	
14,899.0	90.00	359.51	9,730.0	4,917.0	-1,669.8	4,931.1	0.00	0.00	0.00	
BPP3 - Uncle Ches 2116 Fed Com #113H										
14,900.0	90.00	359.51	9,730.0	4,918.0	-1,669.9	4,932.1	0.00	0.00	0.00	
15,000.0	90.00	359.51	9,730.0	5,018.0	-1,670.7	5,032.1	0.00	0.00	0.00	
15,100.0	90.00	359.51	9,730.0	5,118.0	-1,671.6	5,132.1	0.00	0.00	0.00	
15,200.0	90.00	359.51	9,730.0	5,218.0	-1,672.4	5,232.1	0.00	0.00	0.00	
15,300.0	90.00	359.51	9,730.0	5,318.0	-1,673.3	5,332.1	0.00	0.00	0.00	
15,400.0	90.00	359.51	9,730.0	5,418.0	-1,674.1	5,432.1	0.00	0.00	0.00	
15,500.0	90.00	359.51	9,730.0	5,518.0	-1,675.0	5,532.1	0.00	0.00	0.00	
15,600.0	90.00	359.51	9,730.0	5,618.0	-1,675.8	5,632.1	0.00	0.00	0.00	
15,700.0	90.00	359.51	9,730.0	5,718.0	-1,676.7	5,732.1	0.00	0.00	0.00	
15,800.0	90.00	359.51	9,730.0	5,818.0	-1,677.6	5,832.1	0.00	0.00	0.00	
15,900.0	90.00	359.51	9,730.0	5,918.0	-1,678.4	5,932.1	0.00	0.00	0.00	
16,000.0	90.00	359.51	9,730.0	6,018.0	-1,679.3	6,032.1	0.00	0.00	0.00	
16,100.0	90.00	359.51	9,730.0	6,118.0	-1,680.1	6,132.1	0.00	0.00	0.00	
16,200.0	90.00	359.51	9,730.0	6,218.0	-1,681.0	6,232.1	0.00	0.00	0.00	

Planning Report

Database:	EDM 5000.14 Single User Db	Local Co-ordinate Reference:	Well Uncle Ches 2116 Fed Com #113H
Company:	Matador Production Company	TVD Reference:	KB @ 3731.5usft
Project:	Ranger/Arrowhead	MD Reference:	KB @ 3731.5usft
Site:	Uncle Ches	North Reference:	Grid
Well:	Uncle Ches 2116 Fed Com #113H	Survey Calculation Method:	Minimum Curvature
Wellbore:	Wellbore #1		
Design:	BLM Plan #1		

Planned Survey										
Measured Depth (usft)	Inclination (°)	Azimuth (°)	Vertical Depth (usft)	+N/-S (usft)	+E/-W (usft)	Vertical Section (usft)	Dogleg Rate (°/100usft)	Build Rate (°/100usft)	Turn Rate (°/100usft)	
16,300.0	90.00	359.51	9,730.0	6,318.0	-1,681.8	6,332.1	0.00	0.00	0.00	
16,400.0	90.00	359.51	9,730.0	6,418.0	-1,682.7	6,432.1	0.00	0.00	0.00	
16,500.0	90.00	359.51	9,730.0	6,518.0	-1,683.5	6,532.1	0.00	0.00	0.00	
16,600.0	90.00	359.51	9,730.0	6,618.0	-1,684.4	6,632.1	0.00	0.00	0.00	
16,700.0	90.00	359.51	9,730.0	6,718.0	-1,685.2	6,732.1	0.00	0.00	0.00	
16,800.0	90.00	359.51	9,730.0	6,818.0	-1,686.1	6,832.1	0.00	0.00	0.00	
16,900.0	90.00	359.51	9,730.0	6,918.0	-1,687.0	6,932.1	0.00	0.00	0.00	
17,000.0	90.00	359.51	9,730.0	7,017.9	-1,687.8	7,032.1	0.00	0.00	0.00	
17,100.0	90.00	359.51	9,730.0	7,117.9	-1,688.7	7,132.1	0.00	0.00	0.00	
17,200.0	90.00	359.51	9,730.0	7,217.9	-1,689.5	7,232.1	0.00	0.00	0.00	
17,300.0	90.00	359.51	9,730.0	7,317.9	-1,690.4	7,332.1	0.00	0.00	0.00	
17,400.0	90.00	359.51	9,730.0	7,417.9	-1,691.2	7,432.1	0.00	0.00	0.00	
17,500.0	90.00	359.51	9,730.0	7,517.9	-1,692.1	7,532.1	0.00	0.00	0.00	
17,600.0	90.00	359.51	9,730.0	7,617.9	-1,692.9	7,632.1	0.00	0.00	0.00	
17,700.0	90.00	359.51	9,730.0	7,717.9	-1,693.8	7,732.1	0.00	0.00	0.00	
17,800.0	90.00	359.51	9,730.0	7,817.9	-1,694.7	7,832.1	0.00	0.00	0.00	
17,900.0	90.00	359.51	9,730.0	7,917.9	-1,695.5	7,932.1	0.00	0.00	0.00	
18,000.0	90.00	359.51	9,730.0	8,017.9	-1,696.4	8,032.1	0.00	0.00	0.00	
18,100.0	90.00	359.51	9,730.0	8,117.9	-1,697.2	8,132.1	0.00	0.00	0.00	
18,200.0	90.00	359.51	9,730.0	8,217.9	-1,698.1	8,232.1	0.00	0.00	0.00	
18,300.0	90.00	359.51	9,730.0	8,317.9	-1,698.9	8,332.1	0.00	0.00	0.00	
18,400.0	90.00	359.51	9,730.0	8,417.9	-1,699.8	8,432.1	0.00	0.00	0.00	
18,500.0	90.00	359.51	9,730.0	8,517.9	-1,700.6	8,532.1	0.00	0.00	0.00	
18,600.0	90.00	359.51	9,730.0	8,617.9	-1,701.5	8,632.1	0.00	0.00	0.00	
18,700.0	90.00	359.51	9,730.0	8,717.9	-1,702.4	8,732.1	0.00	0.00	0.00	
18,800.0	90.00	359.51	9,730.0	8,817.9	-1,703.2	8,832.1	0.00	0.00	0.00	
18,900.0	90.00	359.51	9,730.0	8,917.9	-1,704.1	8,932.1	0.00	0.00	0.00	
19,000.0	90.00	359.51	9,730.0	9,017.9	-1,704.9	9,032.1	0.00	0.00	0.00	
19,100.0	90.00	359.51	9,730.0	9,117.9	-1,705.8	9,132.1	0.00	0.00	0.00	
19,200.0	90.00	359.51	9,730.0	9,217.9	-1,706.6	9,232.1	0.00	0.00	0.00	
19,300.0	90.00	359.51	9,730.0	9,317.9	-1,707.5	9,332.1	0.00	0.00	0.00	
19,400.0	90.00	359.51	9,730.0	9,417.9	-1,708.3	9,432.1	0.00	0.00	0.00	
19,500.0	90.00	359.51	9,730.0	9,517.9	-1,709.2	9,532.1	0.00	0.00	0.00	
19,600.0	90.00	359.51	9,730.0	9,617.9	-1,710.0	9,632.1	0.00	0.00	0.00	
19,700.0	90.00	359.51	9,730.0	9,717.8	-1,710.9	9,732.1	0.00	0.00	0.00	
19,800.0	90.00	359.51	9,730.0	9,817.8	-1,711.8	9,832.1	0.00	0.00	0.00	
19,900.0	90.00	359.51	9,730.0	9,917.8	-1,712.6	9,932.1	0.00	0.00	0.00	
20,000.0	90.00	359.51	9,730.0	10,017.8	-1,713.5	10,032.1	0.00	0.00	0.00	
20,076.9	90.00	359.51	9,730.0	10,094.7	-1,714.3	10,109.0	0.00	0.00	0.00	
TD at 20076.9 - BHL - Uncle Ches 2116 Fed Com #113H										

Planning Report

Database:	EDM 5000.14 Single User Db	Local Co-ordinate Reference:	Well Uncle Ches 2116 Fed Com #113H
Company:	Matador Production Company	TVD Reference:	KB @ 3731.5usft
Project:	Ranger/Arrowhead	MD Reference:	KB @ 3731.5usft
Site:	Uncle Ches	North Reference:	Grid
Well:	Uncle Ches 2116 Fed Com #113H	Survey Calculation Method:	Minimum Curvature
Wellbore:	Wellbore #1		
Design:	BLM Plan #1		

Design Targets										
Target Name	Dip Angle	Dip Dir.	TVD	+N/-S	+E/-W	Northing	Easting	Latitude	Longitude	
- hit/miss target	(°)	(°)	(usft)	(usft)	(usft)	(usft)	(usft)			
- Shape										
KOP - Uncle Ches 2116 - plan hits target center - Point	0.00	0.00	9,157.0	-318.7	-1,625.1	565,421.00	769,205.00	32° 33' 5.091 N	103° 27' 34.778 W	
FTP - Uncle Ches 2116 I - plan misses target center by 0.3usft at 9576.4usft MD (9390.4 TVD, -269.0 N, -1625.5 E) - Point	0.00	0.00	9,390.4	-268.9	-1,625.2	565,470.73	769,204.89	32° 33' 5.583 N	103° 27' 34.775 W	
BPP3 - Uncle Ches 2116 - plan misses target center by 0.3usft at 14899.0usft MD (9730.0 TVD, 4917.0 N, -1669.8 E) - Point	0.00	0.00	9,730.0	4,917.0	-1,669.5	570,656.27	769,160.46	32° 33' 56.896 N	103° 27' 34.797 W	
BPP1 - Uncle Ches 2116 - plan misses target center by 0.3usft at 10932.6usft MD (9730.0 TVD, 950.8 N, -1635.9 E) - Point	0.00	0.00	9,730.0	950.8	-1,635.6	566,690.34	769,194.44	32° 33' 17.652 N	103° 27' 34.780 W	
BPP2 - Uncle Ches 2116 - plan misses target center by 0.3usft at 12253.4usft MD (9730.0 TVD, 2271.5 N, -1647.2 E) - Point	0.00	0.00	9,730.0	2,271.5	-1,646.9	568,010.94	769,183.13	32° 33' 30.720 N	103° 27' 34.786 W	
BHL - Uncle Ches 2116 I - plan hits target center - Point	0.00	0.00	9,730.0	10,094.7	-1,714.3	575,834.02	769,115.57	32° 34' 48.132 N	103° 27' 34.825 W	

Formations						
Measured Depth (usft)	Vertical Depth (usft)	Name	Lithology	Dip (°)	Dip Direction (°)	
1,995.1	1,981.0	Z (Rustler)		0.00	359.51	
2,368.3	2,345.0	Z (Salado)		0.00	359.51	
3,694.1	3,638.0	Z (Base Salt)		0.00	359.51	
3,965.8	3,903.0	Z (Yates)		0.00	359.51	
4,285.7	4,215.0	Z (Seven Rivers)		0.00	359.51	
5,123.4	5,032.0	Z (Queen)		0.00	359.51	
5,312.1	5,216.0	Z (Grayburg-Reef)		0.00	359.51	
5,976.5	5,864.0	Z (Cherry Canyon)		0.00	359.51	
7,021.3	6,883.0	Z (Brushy Canyon)		0.00	359.51	
8,628.5	8,452.0	Z (Bone Spring Lime)		0.00	359.51	
9,080.0	8,901.0	Z (U. Avalon Shale)		0.00	359.51	
9,209.1	9,030.0	Z (Avalon Carb)		0.00	359.51	
9,481.6	9,301.0	Z (L. Avalon Shale)		0.00	359.51	
9,739.6	9,528.0	Z (FSBC)		0.00	359.51	
9,935.7	9,653.0	Z (FBSG)		0.00	359.51	

Planning Report

Database:	EDM 5000.14 Single User Db	Local Co-ordinate Reference:	Well Uncle Ches 2116 Fed Com #113H
Company:	Matador Production Company	TVD Reference:	KB @ 3731.5usft
Project:	Ranger/Arrowhead	MD Reference:	KB @ 3731.5usft
Site:	Uncle Ches	North Reference:	Grid
Well:	Uncle Ches 2116 Fed Com #113H	Survey Calculation Method:	Minimum Curvature
Wellbore:	Wellbore #1		
Design:	BLM Plan #1		

Plan Annotations					
Measured Depth (usft)	Vertical Depth (usft)	Local Coordinates		Comment	
		+N/-S (usft)	+E/-W (usft)		
1,000.0	1,000.0	0.0	0.0	Start Build 2.00	
1,638.3	1,633.0	-13.6	-69.5	Start 6746.7 hold at 1638.3 MD	
8,385.0	8,213.0	-300.5	-1,532.4	Start Drop -1.50	
9,236.1	9,057.0	-318.7	-1,625.1	Start 100.0 hold at 9236.1 MD	
9,336.1	9,157.0	-318.7	-1,625.1	Start Build 10.00	
10,236.1	9,730.0	254.3	-1,630.0	Start 9840.9 hold at 10236.1 MD	
20,076.9	9,730.0	10,094.7	-1,714.3	TD at 20076.9	

Matador Production Company

Ranger/Arrowhead

Uncle Ches

Uncle Ches 2116 Fed Com #113H

Wellbore #1

BLM Plan #1

Anticollision Summary Report

20 June, 2024

Anticollision Summary Report

Company:	Matador Production Company	Local Co-ordinate Reference:	Well Uncle Ches 2116 Fed Com #113H
Project:	Ranger/Arrowhead	TVD Reference:	KB @ 3731.5usft
Reference Site:	Uncle Ches	MD Reference:	KB @ 3731.5usft
Site Error:	0.0 usft	North Reference:	Grid
Reference Well:	Uncle Ches 2116 Fed Com #113H	Survey Calculation Method:	Minimum Curvature
Well Error:	0.0 usft	Output errors are at	2.00 sigma
Reference Wellbore	Wellbore #1	Database:	EDM 5000.14 Single User Db
Reference Design:	BLM Plan #1	Offset TVD Reference:	Offset Datum

Reference	BLM Plan #1		
Filter type:	NO GLOBAL FILTER: Using user defined selection & filtering criteria		
Interpolation Method:	Stations	Error Model:	ISCWSA
Depth Range:	Unlimited	Scan Method:	Closest Approach 3D
Results Limited by:	Maximum center-center distance of 10,000.0 usft	Error Surface:	Pedal Curve
Warning Levels Evaluated at:	2.00 Sigma	Casing Method:	Not applied

Survey Tool Program	Date	6/20/2024		
From (usft)	To (usft)	Survey (Wellbore)	Tool Name	Description
0.0	20,076.9	BLM Plan #1 (Wellbore #1)	MWD	OWSG MWD - Standard

Summary						
Site Name	Reference	Offset	Distance		Separation Factor	Warning
	Measured Depth (usft)	Measured Depth (usft)	Between Centres (usft)	Between Ellipses (usft)		
Offset Well - Wellbore - Design						
Offset Ranger Wells						
Manzanita State #1 - Wellbore #1 - Actual	18,297.2	9,722.2	2,644.5	2,297.4	7.618	CC
Manzanita State #1 - Wellbore #1 - Actual	18,400.0	9,722.2	2,646.5	2,297.0	7.573	ES
Manzanita State #1 - Wellbore #1 - Actual	18,600.0	9,722.2	2,661.8	2,308.4	7.532	SF
Uncle Ches						
Manzanita State #2 - Wellbore #1 - Wellbore #1	19,565.4	9,698.8	2,801.2	2,602.9	14.131	CC
Manzanita State #2 - Wellbore #1 - Wellbore #1	19,600.0	9,698.8	2,801.4	2,602.3	14.075	ES
Manzanita State #2 - Wellbore #1 - Wellbore #1	20,076.9	9,698.8	2,847.3	2,639.7	13.718	SF
Uncle Ches 2116 Fed Com #114H - Wellbore #1 - BLM P	1,000.0	1,000.0	30.0	23.3	4.472	CC
Uncle Ches 2116 Fed Com #114H - Wellbore #1 - BLM P	1,100.0	1,099.0	30.6	23.2	4.140	ES
Uncle Ches 2116 Fed Com #114H - Wellbore #1 - BLM P	20,076.9	19,911.3	1,320.0	974.6	3.822	SF
Uncle Ches 2116 Fed Com #122H - Wellbore #1 - Actual	9,136.7	8,938.6	1,617.4	1,551.6	24.566	CC, ES
Uncle Ches 2116 Fed Com #122H - Wellbore #1 - Actual	20,076.9	20,948.4	1,886.1	1,579.0	6.142	SF
Uncle Ches 2116 Fed Com #125H - Wellbore #1 - Actual	6,767.8	6,128.3	2,577.5	2,530.3	54.639	CC
Uncle Ches 2116 Fed Com #125H - Wellbore #1 - Actual	8,400.0	7,767.1	2,588.7	2,528.7	43.151	ES
Uncle Ches 2116 Fed Com #125H - Wellbore #1 - Actual	20,076.9	20,910.8	3,080.6	2,750.0	9.317	SF
Uncle Ches 2116 Fed Com #127H - Wellbore #1 - Actual	4,401.9	4,367.4	37.5	2.1	1.058	Level 2, CC, ES, SF
Uncle Ches 2116 Fed Com #128H - Wellbore #1 - Actual	2,273.7	2,258.8	68.2	52.2	4.244	CC, ES
Uncle Ches 2116 Fed Com #128H - Wellbore #1 - Actual	2,300.0	2,284.4	68.5	52.2	4.211	SF
Uncle Ches 2116 Fed Com #133H - Wellbore #1 - BLM P	2,991.4	2,974.4	67.4	44.1	2.895	CC
Uncle Ches 2116 Fed Com #133H - Wellbore #1 - BLM P	3,200.0	3,182.7	68.2	43.0	2.704	ES
Uncle Ches 2116 Fed Com #133H - Wellbore #1 - BLM P	9,650.0	9,587.5	184.2	109.5	2.466	SF
Uncle Ches 2116 Fed Com #134H - Wellbore #1 - BLM P	1,658.3	1,653.6	24.5	13.2	2.169	CC, ES, SF
Uncle Ches 2116 Fed Com #217H - Wellbore #1 - BLM P	1,887.6	1,866.4	87.9	75.1	6.872	CC
Uncle Ches 2116 Fed Com #217H - Wellbore #1 - BLM P	1,900.0	1,878.5	88.0	75.1	6.827	ES
Uncle Ches 2116 Fed Com #217H - Wellbore #1 - BLM P	6,100.0	6,074.5	178.3	131.9	3.841	SF
Uncle Ches 2116 Fed Com #218H - Wellbore #1 - BLM P	2,283.8	2,269.8	19.2	2.7	1.165	Level 2, CC
Uncle Ches 2116 Fed Com #218H - Wellbore #1 - BLM P	2,300.0	2,286.0	19.3	2.6	1.155	Level 2, ES, SF

CC - Min centre to center distance or convergent point, SF - min separation factor, ES - min ellipse separation

PECOS DISTRICT DRILLING CONDITIONS OF APPROVAL

OPERATOR'S NAME: MATADOR PRODUCTION COMPANY
WELL NAME & NO.: UNCLE CHES 21 16 FED COM 113H
APD ID: 10400102893
LOCATION: Section 21, T.20 S., R.35 E. NMP.
COUNTY: Lea County, New Mexico ▼

COA

H ₂ S	<input type="radio"/> No		<input checked="" type="radio"/> Yes	
Potash / WIPP	<input checked="" type="radio"/> None	<input type="radio"/> Secretary	<input type="radio"/> R-111-Q	<input type="checkbox"/> Open Annulus <input type="checkbox"/> WIPP
Cave / Karst	<input checked="" type="radio"/> Low	<input type="radio"/> Medium	<input type="radio"/> High	<input type="radio"/> Critical
Wellhead	<input type="radio"/> Conventional	<input checked="" type="radio"/> Multibowl	<input type="radio"/> Both	<input type="radio"/> Diverter
Cementing	<input type="checkbox"/> Primary Squeeze	<input type="checkbox"/> Cont. Squeeze	<input type="checkbox"/> EchoMeter	<input checked="" type="checkbox"/> DV Tool
Special Req	<input checked="" type="checkbox"/> Capitan Reef	<input type="checkbox"/> Water Disposal	<input checked="" type="checkbox"/> COM	<input type="checkbox"/> Unit
Waste Prev.	<input type="radio"/> Self-Certification	<input checked="" type="radio"/> Waste Min. Plan	<input type="radio"/> APD Submitted prior to 06/10/2024	
Additional Language	<input checked="" type="checkbox"/> Flex Hose <input type="checkbox"/> Four-String	<input type="checkbox"/> Casing Clearance <input checked="" type="checkbox"/> Offline Cementing	<input type="checkbox"/> Pilot Hole <input type="checkbox"/> Fluid-Filled	<input checked="" type="checkbox"/> Break Testing

A. HYDROGEN SULFIDE

A Hydrogen Sulfide (H₂S) Drilling Plan shall be activated at spud. As a result, the Hydrogen Sulfide area must meet all requirements from 43 CFR 3176, which includes equipment and personnel/public protection items. If Hydrogen Sulfide is encountered, please provide measured values and formations to the BLM.

B. CASING

1. The 13-3/8 inch surface casing shall be set at approximately **2,020 ft.** (a minimum of 25 feet (Lea County) into the Rustler Anhydrite and above the salt) and cemented to the surface. **If salt is encountered, set casing at least 25 ft. above the salt.**
 - a. If cement does not circulate to the surface, the appropriate BLM office shall be notified and a temperature survey utilizing an electronic-type temperature survey with surface log readout will be used or a cement bond log shall be run to verify the top of the cement. Temperature survey will be run a minimum of six hours after pumping cement and ideally between 8-10 hours after completing the cement job.
 - b. Wait on cement (WOC) time for a primary cement job will be a minimum of **8 hours** or **500 psi compressive strength**, whichever is greater. (This is to include the lead cement)
 - c. Wait on cement (WOC) time for a remedial job will be a minimum of 4 hours after

- bringing cement to surface or 500 pounds compressive strength, whichever is greater.
- d. If cement falls back, remedial cementing will be done prior to drilling out that string.

Note: Operator has requested to have option to drill either 17-1/2" or 20" surface hole. Both hole sizes meet title 43 CFR 3172 clearance requirements between casing-coupling and hole. This option is granted; adjust cement volume accordingly.

2. The 9-5/8 inch, **SEAH-80**, intermediate casing shall be set in the base of Capitan reef at approximately **6,001 ft.** (5,889 ft. TVD). The minimum required fill of cement behind the 9-5/8 inch intermediate casing is:

Option 1 (Single Stage): Cement to surface. If cement does not circulate see B.1.a, c-d above. Wait on cement (WOC) time for a primary cement job is to include the lead cement slurry due to **Capitan Reef**.

Option 2 (Two-Stage): The operator has proposed to utilize a DV tool. Operator may adjust depth of DV tool as long as cement volume is adjusted accordingly. The DV tool may be cancelled if cement circulates to surface on the first stage. In Capitan Reef area, the DV tool shall be set a maximum of 200' above the top of Capitan Reef.

- a. **First stage to DV tool:** Cement to circulate. If cement does not circulate off the DV tool, contact the appropriate BLM office before proceeding with second stage cement job.
- b. **Second stage above DV tool: Cement to surface.** If cement does not circulate, contact the appropriate BLM office. Wait on cement (WOC) time for a primary cement job is to include the lead cement slurry due to **Capitan Reef**.

Note: Excess cement for the 2nd stage is below the BLM recommendation of 25%. More cement might be needed.

- ❖ In Capitan Reef Areas if cement does not circulate to surface on the first two casing strings, the cement on the 3rd casing string must come to surface.
- ❖ **Special Capitan Reef requirements.** If lost circulation (50% or greater) occurs below the Base of the Salt, the operator shall do the following: **(Use this for 3 string wells in the Capitan Reef, if 4 string well ensure FW based mud used across the Capitan interval)**
 - Switch to freshwater mud to protect the Capitan Reef and use freshwater mud until setting the intermediate casing. The appropriate BLM office is to be notified for a PET to witness the switch to fresh water.
 - Daily drilling reports from the Base of the Salt to the setting of the intermediate casing are to be submitted to the BLM CFO engineering staff via e-mail by 0800 hours each morning. Any lost circulation encountered is to be recorded on these drilling reports. The daily drilling report should show mud volume per shift/tour. Failure to submit these reports will result in an Incidence of Non-Compliance being issued for failure to comply with the Conditions of Approval. If not already

planned, the operator shall run a caliper survey for the intermediate well bore and submit to the appropriate BLM office.

3. Operator has proposed to set **5-1/2 inch** production casing at approximately **20,076 ft.** (9,730 ft. TVD). Hole size changes at the KOP, approximately 9,336 ft. The minimum required fill of cement behind the **5-1/2 inch** production casing is:
 - Cement should tie-back at least **50 feet** above the Capitan Reef top or **200 feet** into the previous casing, whichever is greater. Operator shall provide method of verification.

Note: Excess cement is below the BLM recommendation of 25%. More cement might be needed. Estimated Capitan reef top is 4,700 ft.

OFFLINE CEMENTING

Operator has been (**Approved**) to pump the proposed cement program offline in the **Surface and intermediate(s) intervals**. Offline cementing should commence within 24 hours of landing the casing for the interval. Notify the BLM 4hrs prior to the commencement of any offline cementing procedure at **Lea County: 575-689-5981**.

C. PRESSURE CONTROL

1. Variance approved to use flex line from BOP to choke manifold. Manufacturer's specification to be readily available. No external damage to flex line. Flex line to be installed as straight as possible (no hard bends).
2. Operator has proposed a multi-bowl wellhead assembly. Minimum working pressure of the blowout preventer (BOP) and related equipment (BOPE) required for drilling below the surface casing shoe shall be **5000 (5M) psi**. Before drilling out surface casing shoe, BOP/ BOPE and annular preventer must be pressure tested in accordance with **title 43 CFR 3172**.
 - a. Wellhead shall be installed by manufacturer's representatives, submit documentation with subsequent sundry.
 - b. If the welding is performed by a third party, the manufacturer's representative shall monitor the temperature to verify that it does not exceed the maximum temperature of the seal.
 - c. Manufacturer representative shall install the test plug for the initial BOP test.
 - d. If the cement does not circulate and one-inch operations would have been possible with a standard wellhead, the well head shall be cut off, cementing operations performed and another wellhead installed.
 - e. Whenever any seal subject to test pressure is broken, all the tests in 43 CFR 3172 must be followed.

BOPE Break Testing Variance

- BOPE Break Testing is **ONLY** permitted for intervals utilizing a 5M BOPE or less. **(Annular preventer must be tested to a minimum of 70% of BOPE working pressure and shall be higher than the MASP.)**
- BOPE Break Testing is **NOT** permitted to drilling the production hole section.

- Variance only pertains to the intermediate hole-sections and no deeper than the Bone Springs formation.
- While in transfer between wells, the BOPE shall be secured by the hydraulic carrier or cradle.
- Any well control event while drilling require notification to the BLM Petroleum Engineer (575-706-2779) prior to the commencement of any BOPE Break Testing operations.
- A full BOPE test is required prior to drilling the first deep intermediate hole section. If any subsequent hole interval is deeper than the first, a full BOPE test will be required. (200' TVD tolerance between intermediate shoes is allowable).
- The BLM is to be contacted (575-689-5981 Lea County) 4 hours prior to BOPE tests.
- As a minimum, a full BOPE test shall be performed at 21-day intervals.
- In the event any repairs or replacement of the BOPE is required, the BOPE shall test as per **43 CFR 3172**.
- If in the event break testing is not utilized, then a full BOPE test would be conducted.

D. SPECIAL REQUIREMENT (S)

Communitization Agreement

- The operator will submit a Communitization Agreement to the Santa Fe Office, 301 Dinosaur Trail Santa Fe, New Mexico 87508, at least 90 days before the anticipated date of first production from a well subject to a spacing order issued by the New Mexico Oil Conservation Division. The Communitization Agreement will include the signatures of all working interest owners in all Federal and Indian leases subject to the Communitization Agreement (i.e., operating rights owners and lessees of record), or certification that the operator has obtained the written signatures of all such owners and will make those signatures available to the BLM immediately upon request.
- The operator will submit an as-drilled survey well plat of the well completion, but are not limited to, those specified in 43 CFR 3171 and 3172.
- If the operator does not comply with this condition of approval, the BLM may take enforcement actions that include, but are not limited to, those specified in 43 CFR 3163.1.
- In addition, the well sign shall include the surface and bottom hole lease numbers. When the Communitization Agreement number is known, it shall also be on the sign.

GENERAL REQUIREMENTS

The BLM is to be notified in advance for a representative to witness:

- a. Spudding well (minimum of 24 hours)
- b. Setting and/or Cementing of all casing strings (minimum of 4 hours)
- c. BOPE tests (minimum of 4 hours)

Contact Lea County Petroleum Engineering Inspection Staff:

Call the Hobbs Field Station, 414 West Taylor, Hobbs NM 88240, (575) 689-5981

1. Unless the production casing has been run and cemented or the well has been properly plugged, the drilling rig shall not be removed from over the hole without prior approval.

- a. In the event the operator has proposed to drill multiple wells utilizing a skid/walking rig. Operator shall secure the wellbore on the current well, after installing and testing the wellhead, by installing a blind flange of like pressure rating to the wellhead and a pressure gauge that can be monitored while drilling is performed on the other well(s).
 - b. When the operator proposes to set surface casing with Spudder Rig
 - i. Notify the BLM when moving in and removing the Spudder Rig.
 - ii. Notify the BLM when moving in the 2nd Rig. Rig to be moved in within 90 days of notification that Spudder Rig has left the location.
 - iii. BOP/BOPE test to be conducted per **43 CFR 3172** as soon as 2nd Rig is rigged up on well.
2. Floor controls are required for 3M or Greater systems. These controls will be on the rig floor, unobstructed, readily accessible to the driller and will be operational at all times during drilling and/or completion activities. Rig floor is defined as the area immediately around the rotary table; the area immediately above the substructure on which the draw works are located, this does not include the doghouse or stairway area.
 3. For intervals in which cement to surface is required, cement to surface should be verified with a visual check and density or pH check to differentiate cement from spacer and drilling mud. The results should be documented in the driller's log and daily reports.

A. CASING

1. Changes to the approved APD casing program need prior approval if the items substituted are of lesser grade or different casing size or are Non-API. The Operator can exchange the components of the proposal with that of superior strength (i.e. changing from J-55 to N-80, or from 36# to 40#). Changes to the approved cement program need prior approval if the altered cement plan has less volume or strength or if the changes are substantial (i.e. Multistage tool, ECP, etc.). The initial wellhead installed on the well will remain on the well with spools used as needed.
2. Wait on cement (WOC) for Potash Areas: After cementing but before commencing any tests, the casing string shall stand cemented under pressure until both of the following conditions have been met: 1) cement reaches a minimum compressive strength of 500 psi for all cement blends of both lead and tail cement, 2) until cement has been in place at least 8 hours. WOC time will be recorded in the driller's log. The casing integrity test can be done (prior to the cement setting up) immediately after bumping the plug.
3. Wait on cement (WOC) for Water Basin: After cementing but before commencing any tests, the casing string shall stand cemented under pressure until both of the following conditions have been met: 1) cement reaches a minimum compressive strength of 500 psi at the shoe, 2) until cement has been in place at least 8 hours. WOC time will be recorded in the driller's log. See individual casing strings for

- details regarding lead cement slurry requirements. The casing integrity test can be done (prior to the cement setting up) immediately after bumping the plug.
4. Provide compressive strengths including hours to reach required 500 pounds compressive strength prior to cementing each casing string. Have well specific cement details onsite prior to pumping the cement for each casing string.
 5. No pea gravel permitted for remedial or fall back remedial without prior authorization from the BLM engineer.
 6. On that portion of any well approved for a 5M BOPE system or greater, a pressure integrity test of each casing shoe shall be performed. Formation at the shoe shall be tested to a minimum of the mud weight equivalent anticipated to control the formation pressure to the next casing depth or at total depth of the well. This test shall be performed before drilling more than 20 feet of new hole.
 7. If hardband drill pipe is rotated inside casing, returns will be monitored for metal. If metal is found in samples, drill pipe will be pulled and rubber protectors which have a larger diameter than the tool joints of the drill pipe will be installed prior to continuing drilling operations.
 8. Whenever a casing string is cemented in the R-111-Q potash area, the NMOCD requirements shall be followed.

B. PRESSURE CONTROL

1. All blowout preventer (BOP) and related equipment (BOPE) shall comply with well control requirements as described in **43 CFR 3172**.
2. If a variance is approved for a flexible hose to be installed from the BOP to the choke manifold, the following requirements apply: The flex line must meet the requirements of API 16C. Check condition of flexible line from BOP to choke manifold, replace if exterior is damaged or if line fails test. Line to be as straight as possible with no hard bends and is to be anchored according to Manufacturer's requirements. The flexible hose can be exchanged with a hose of equal size and equal or greater pressure rating. Anchor requirements, specification sheet and hydrostatic pressure test certification matching the hose in service, to be onsite for review. These documents shall be posted in the company man's trailer and on the rig floor.
3. 5M or higher system requires an HCR valve, remote kill line and annular to match. The remote kill line is to be installed prior to testing the system and tested to stack pressure.
4. If the operator has proposed a multi-bowl wellhead assembly in the APD. The following requirements must be met:
 - i. Wellhead shall be installed by manufacturer's representatives, submit documentation with subsequent sundry.

- ii. If the welding is performed by a third party, the manufacturer's representative shall monitor the temperature to verify that it does not exceed the maximum temperature of the seal.
 - iii. Manufacturer representative shall install the test plug for the initial BOP test.
 - iv. Whenever any seal subject to test pressure is broken, all the tests in 43 CFR 3172.6(b)(9) must be followed.
 - v. If the cement does not circulate and one-inch operations would have been possible with a standard wellhead, the well head shall be cut off, cementing operations performed and another wellhead installed.
5. The appropriate BLM office shall be notified a minimum of 4 hours in advance for a representative to witness the tests.
- i. In a water basin, for all casing strings utilizing slips, these are to be set as soon as the crew and rig are ready and any fallback cement remediation has been done. The casing cut-off and BOP installation can be initiated four hours after installing the slips, which will be approximately six hours after bumping the plug. For those casing strings not using slips, the minimum wait time before cut-off is eight hours after bumping the plug. BOP/BOPE testing can begin after cut-off or once cement reaches 500 psi compressive strength (including lead cement), whichever is greater. However, if the float does not hold, cut-off cannot be initiated until cement reaches 500 psi compressive strength (including lead when specified).
 - ii. In potash areas, for all casing strings utilizing slips, these are to be set as soon as the crew and rig are ready and any fallback cement remediation has been done. For all casing strings, casing cut-off and BOP installation can be initiated at twelve hours after bumping the cement plug. The BOPE test can be initiated after bumping the cement plug with the casing valve open. (Only applies to single stage cement jobs, prior to the cement setting up.)
 - iii. The tests shall be done by an independent service company utilizing a test plug not a cup or J-packer and can be initiated immediately with the casing valve open. The operator also has the option of utilizing an independent tester to test without a plug (i.e. against the casing) pursuant to **43 CFR 3172** with the pressure not to exceed 70% of the burst rating for the casing. Any test against the casing must meet the WOC time for 8 hours or 500 pounds compressive strength, whichever is greater, prior to initiating the test (see casing segment as lead cement may be critical item).
 - iv. The test shall be run on a 5000-psi chart for a 2-3M BOP/BOP, on a 10000 psi chart for a 5M BOP/BOPE and on a 15000 psi chart for a 10M BOP/BOPE. If a linear chart is used, it shall be a one-hour chart. A circular chart shall have a maximum 2-hour clock. If a twelve hour or twenty-four-

hour chart is used, tester shall make a notation that it is run with a two hour clock.

- v. The results of the test shall be reported to the appropriate BLM office.
- vi. All tests are required to be recorded on a calibrated test chart. A copy of the BOP/BOPE test chart and a copy of independent service company test will be submitted to the appropriate BLM office.
- vii. The BOP/BOPE test shall include a low-pressure test from 250 to 300 psi. The test will be held for a minimum of 10 minutes if test is done with a test plug and 30 minutes without a test plug. This test shall be performed prior to the test at full stack pressure.
- viii. BOP/BOPE must be tested by an independent service company within 500 feet of the top of the Wolfcamp formation if the time between the setting of the intermediate casing and reaching this depth exceeds 20 days. This test does not exclude the test prior to drilling out the casing shoe as per **43 CFR 3172**.

C. DRILLING MUD

Mud system monitoring equipment, with derrick floor indicators and visual and audio alarms, shall be operating before drilling into the Wolfcamp formation, and shall be used until production casing is run and cemented.

D. WASTE MATERIAL AND FLUIDS

All waste (i.e. drilling fluids, trash, salts, chemicals, sewage, gray water, etc.) created as a result of drilling operations and completion operations shall be safely contained and disposed of properly at a waste disposal facility. No waste material or fluid shall be disposed of on the well location or surrounding area. Porto-johns and trash containers will be on-location during fracturing operations or any other crew-intensive operations.

SA 10/15/2025

MRC ENERGY CO.'S

Hydrogen Sulfide Drilling
Operations Plan
Matador Resources

1 H2S safety instructions to the following:

- Characteristics of H2S
- Physical effects and hazards
- Principal and operation of H2S detectors, warning system and briefing areas
- Evacuation procedures, routes and first aid
- Proper use of safety equipment & life support systems
- Essential personnel meeting medical evaluation criteria will receive additional training on the proper use of 30min pressure demand air packs

2 H2S Detection and Alarm Systems:

- H2S sensor/detectors to be located on the drilling rig floor, in the base of the sub structure / cellar area, on the mud pits in the shale shaker area. Additional H2S detectors may be placed as deemed necessary
- An audio alarm system will be installed on the derrick floor and in the doghouse

3 Windsocks and / Wind Streamers:

- Windsocks at mud pit area should be high enough to be visible
- Windsock on the rig floor and / top of doghouse should be high enough to be visible

4 Condition Flags and Signs:

- Warning sign on access road to location
- Flags to be displayed on sign at entrance to location
 - Green Flag – Normal Safe Operation Condition
 - Yellow Flag – Potential Pressure and Danger
 - Red Flag – Danger (H2S present in dangerous concentrations) Only H2S trained personnel admitted on location

5 Well Control Equipment:

- See Exhibit E-1

6 Communication:

- While working under masks chalkboards will be used for communications
- Hand signals will be used where chalk board is inappropriate
- Two way radio will be used to communicate off location in case of emergency help is required. In most cases cellular telephones will be available at most drilling foreman's trailer or living quarters.

7 Drilling Stem Testing:

- No DST cores are planned at this time

MRC ENERGY CO.'S

8 Drilling contractor supervisor will be required to be familiar with the effects H2S has on tubulars good and other mechanical equipment

9 If H2S is encountered, mud system will be altered if necessary to maintain control of formation. A mud gas separator will be brought into service along with H2S scavengers if necessary

11 Emergency Contacts

- See exhibit E-6

MRC ENERGY CO.'S

**HYDROGEN SULFIDE CONTINGENCY PLAN
Drilling, Testing, & Completion**

MRC ENERGY CO.

Reviewers

----- Operations Manager
 ----- Operations Supt.
 ----- Staff RES
 ----- Field Supt.
 Blake Hermes---Engineering

H2S Contingency Plan # 0165 Revision# 0

This H2S Contingency Plan is subject to updating

Effective date: July 8, 2015

MRC ENERGY CO.'S

TABLE OF CONTENTS

I.	INTRODUCTION	3
II.	PURPOSE	4
	A. Operating Procedures	5
	B. Procedures to be Initiated Prior to reaching H2S Contingency Plan Compliance	6
	C. Drilling Below Contingency Plan Depth	7
	D. Procedures program	7
III.	CONDITIONS & H₂S EMERGENCY PROCEDURES	10
	A. Definition of Operational “Conditions”	10
	B. H₂S Emergency Procedures; In Scope Personnel	12
	C. Instructions for Igniting the Well	16
	D. Coring	17
	E. Normal Operations	18
IV.	SAFETY EQUIPMENT	21
V.	TOXICITY OF VARIOUS GASES	23
VI.	PROPERTIES OF GASES	24
VII.	TREATMENT PROCEDURES FOR H₂S POISONING	25
VIII.	BREATHING AIR EQUIPMENT DRILLS ON/OFF DUTY	26
IX.	HYDROGEN SULFIDE TRAINING CURRICULUM	27
X.	FIT TEST	29
XI.	H₂S EQUIPMENT LIST	30
XII.	EMERGENCY PHONE NUMBERS	32
XIII.	EVACUATION OF GENERAL PUBLIC	37
XIV.	SEPCO EMERGENCY PHONE NUMBERS AND DIRECTIONS TO WELL SITE	38
XV.	ROE MAP (RADIUS OF EXPOSURE)	39
XVI.	RESIDENCE LIST WITHIN ROE	40

MRC ENERGY CO.'S

INTRODUCTION

The H2S equipment will be rigged up 2 days prior to reaching a potential H2S containing zone. Drilling into any potential H2S zone shall not commence until the on-site MRC Drilling Supervisor has confirmed this plan in place.

The onsite Drilling Foreman will give Total Safety one week (7 days) notice to prepare for rig up of H2S equipment)

To be effective, the plan requires the cooperation and effort of each person participating in the drilling of an H₂S well. Each person must know his/her responsibilities and all emergency and safety procedures. He/she should thoroughly understand and be able to use with accuracy, all safety equipment while performing his/her normal duties, if the circumstance should arise. He/she should therefore familiarize himself/herself with the location of all safety equipment and check to see that it is properly stored, easily accessible at all times, and routinely maintained.

It is the intention of MRC ENERGY CO. and the Drilling Contractor to make every effort to provide adequate safeguards against harm to persons on the rig and in the immediate vicinity from the effects of hydrogen sulfide, which may be released into the atmosphere under emergency conditions. However, the initiative rests with the individual in utilizing the safeguards provided. The ideas and suggestions of the individuals involved in the drilling of this well are highly welcomed and act as a fundamental tool for providing the safest working conditions possible.

The drilling representative is required to enforce these procedures. They are set up for your safety and the safety of all others.

II. PURPOSE

It is MRC Energy Co.'s intent to provide a safe working place, not only for its employees, but also for other contractors who are aiding in the drilling of this well. The safety of the general public is of utmost concern. All precautions will be taken to keep a safe working environment and protect the public.

MRC ENERGY CO.'S

There is a possibility of encountering toxic hydrogen sulfide gas. Safety procedures must be adhered to in order to protect all personnel connected with the operations as well as people living within the area.

The MRC Energy Co. representative will enforce all aspects of the H2S Contingency Plan. This job will become easier by a careful study of the following pages and training and informing all personnel that will be working on the well, their duties and responsibilities.

MRC ENERGY CO.'S

A. OPERATING PROCEDURES

DEFINITIONS:

For purpose of this plan, on-site personnel shall be referred to as “In Scope Personnel” or “Out of Scope Personnel”, per the following definitions:

In Scope Personnel – Personnel who will be working or otherwise present in potential H₂S release areas, including the rig floor, cellar, pits, and shaker areas.

Out of Scope Personnel – Personnel who will not be working or Otherwise present in potential H₂S areas. Such personnel include rig Site visitor, delivery and camp services personnel.

GENERAL:

Before this H₂S contingency plan becomes operational, all regularly assigned In Scope Personnel (primarily the MRC, drilling contractor, and certain service personnel,) shall be thoroughly trained in the use of breathing equipment, emergency procedures, and responsibilities. Total Safety Technician or a designee assigned by the MRC Drilling Foreman shall keep a list of all personnel who have been through the on-site H₂S training program at the drill site.

All In Scope Personnel shall be given H₂S training and the steps to be taken during H₂S conditions under which the well may be drilled. General information will be explained about toxic gases, as well as the physiological effects of H₂S and the various classified operating conditions. In addition, the reader will be informed his/her general responsibility concerning safety equipment and emergency procedures.

The Total Safety H₂S Safety Technician or MRC on-site RSE Technician shall make available the H₂S Contingency Plan for all personnel to review.

Without exception, all personnel that arrive on location must proceed directly to and sign-in with the on-site MRC RSE Technician. In Scope Personnel will be required to complete an on-site H₂S training and respirator fit testing before starting work, or produce evidence that they have received equivalent training. Out of Scope Personnel will be required to complete a site H₂S awareness and general safety briefing. This briefing will consist of a H₂S hazard overview, alarm review and required response to alarms.

MRC ENERGY CO.'S

B. PROCEDURES TO BE INITIATED PRIOR TO H2S CONTINGENCY PLAN COMPLIANCE:

A list of emergency phone numbers and contacts will be on location and posted at the following locations:

1. MRC ENERGY CO.'S Representative's Office
2. Drilling Contractor's, Toolpusher Office
3. Living Quarters Area

All safety equipment and H₂S related hardware must be set up as required by MRC Energy Co. with regard to location of briefing areas, breathing equipment, etc. All safety equipment must be inspected periodically (at least weekly) with particular attention to resuscitators and breathing equipment.

In Scope Personnel working in the well site area will be assigned breathing apparatus. Operator and drilling contractor personnel required to work in the following areas will be provided with Self Contained Breathing Apparatus:

1. Rig Floor
2. Mud Pits
3. Derrick
4. Shale Shaker
5. Cellar

The Total Safety H₂S Safety Technician will be responsible for rigging up all H₂S continuous monitoring-type detectors. The Total Safety Technician will monitor and bump test the detector units periodically (at least at least once a week to test alarm function during drilling conditions. In the event H₂S is detected, or when drilling in a zone confirmed to contain H₂S, the units shall be bump tested at least once every 24 hours. A bump test/calibration log will be kept on location. All results will be reported to the MRC on-site Drilling Foreman.

All Total Safety H₂S equipment will be maintained and inspected by a Total Safety Technician on at least a Weekly basis.

MRC ENERGY CO.'S

C. DRILLING BELOW CONTINGENCY PLAN DEPTH

H2S response drills will be held at least once per week if possible or as often as necessary to acquaint the crews and service company personnel of their responsibilities and the proper procedures to shut-in a well. Initial drills will be performed until crews demonstrate competency donning and working under mask. After the MRC Energy Co.'s representative is satisfied with initial blowout drill procedures, a drill will be conducted weekly with each crew, as necessary. The H2S Safety Technician or designee will conduct safety talks and maintain the safety equipment, consult and carry out the instructions of the drilling supervisor. All personnel allowed in the well work area during drilling or testing operations will be instructed in the use of breathing equipment until supervisory personnel are satisfied that they are capable of using it.

After familiarization, each person must perform a drill with breathing equipment. The drill should include getting the breathing equipment, donning the breathing apparatus, and performing expected duties for a short period. A record shall be kept of all personnel drilled and the date of the drill. H2S training records will be kept on location for all personnel.

Rig crews and service company personnel shall be made aware of the location of spare air bottles, resuscitation equipment, portable fire extinguishers, H₂S monitors and detectors. Knowledge of the location of the H₂S monitors and detectors are vital in determining as our gas location and the severity of the emergency conditions.

After any device has initially detected H2S, all areas of poor ventilation shall be inspected periodically by means of a portable H₂S detector instrument. The buddy system will be utilized. (When an alarm sounds, personnel will don an SCBA, shut the well in, and proceed to SBA for roll call. The H2S Technician or designee will mask up, with a buddy and will verify source of H2S and report back to the on-site MRC Foreman.)

D. PROCEDURES PROGRAM

1. Drill Site
 - a. The drilling rig will be located to allow prevailing winds to blow across the reserve pit.
 - b. A Safe Briefing Area will be provided with a breathing air cascade trailer and or 30-minute SCBA's at the Primary Area. Personnel will assemble at the most up-wind station under alarm conditions, or when so ordered by the MRC Energy Co. representative, the Contractor representative, or

MRC ENERGY CO.'S

the Total Safety H₂S Safety Technician. Windsocks or streamers will be anchored to various strategic places on a pole about 10 feet high, so it is in easy view from the rig floor at all times.

- c. Warning signs will be posted on the perimeters. "No Smoking" signs will be posted by MRC Energy Co.as well.
- d. One multi-channel automatic H₂S monitor will be provided by Total Safety and the detector heads will be at the shale shaker, bell nipple, mud pits, rig floor, and quarter's area. The monitor will be located inside HSE or Company man trailer. Should the alarm be shut off to silence the sirens, the blinker light must continue to warn of H₂S presence. The Total Safety H₂S Safety Technician or designee will continuously monitor the detectors and will reactivate the alarm if H₂S concentrations increase to a dangerous level.
- e. A method of escape will be open at all times.
- f. If available, land line telephone service will be provided or cell phones provided. (Primary communications provided)
- g. A rig communication system will be provided, as needed.
- h. A gas trap, choke manifold, and degasser will be installed.
- i. A kill line, securely anchored and of ample strength, will be laid to the well-head from a safe location. This line is to be used only in an emergency.

General

- a. The MRC Energy Co. representative and/or the Contractor's Toolpusher will be available at all times. The drilling supervisor, while on duty, will have complete charge of the rig and location operations and will take whatever action is deemed necessary to insure personnel safety, to protect the well, and to prevent damage.
- b. A Mud Engineer will be on location at all times when drilling takes place at the depth H₂S may be expected. The mud engineer will be able to verify the presence or absence of H₂S.

MRC ENERGY CO.'S

III. CONDITIONS AND EMERGENCY PROCEDURES

A. DEFINITION OF OPERATIONAL “CONDITIONS”

CONDITION I	“POSSIBLE DANGER”
Warning Flags	Green
Alarms	No Alarm. Less than 10 ppm
Characterized By:	Drilling operations in zones that may contain hydrogen sulfide. This condition remains in effect unless H ₂ S is detected and it becomes necessary to go to Condition II.
General Action:	<ul style="list-style-type: none"> a. Be alert for a condition change b. Check all safety equipment for availability and proper functioning. c. Perform all drills for familiarization and proficiency.
CONDITION II	“MODERATE DANGER”
Warning Flags	Yellow
Alarms:	Actuates at 10 ppm. Continuous flashing light.
Characterized By:	Drilling operations in zones containing hydrogen sulfide. This condition will remain in effect until adding chemicals to the mud system neutralizes the hydrogen sulfide or it becomes necessary to go to Condition III.
General Action:	<ul style="list-style-type: none"> a. Be alert for a condition change b. WHEN DRILLING AHEAD - Driller and designated crewmember will don 30 min SCBA, shut-in the well and immediately proceed to the Safe Briefing Area. <p>WHEN TRIPPING – Driller and two designated crewmembers will don 30 min SCBA, shut in the well and immediately proceed to the Safe Briefing Area. The Derrickman will</p>

MRC ENERGY CO.'S

don a 5-minute escape pack, descend to the rig floor, don a 30-min SCBA (if necessary) and immediately proceed to the Safe Briefing Area.

- c. All In Scope Personnel will proceed directly to the appropriate Safe Briefing Area.
- d. Remain in safe briefing area, take roll call and wait for instructions
- e. Contact the Total H2S Technician if not on location.
- f. Personnel shall ensure that their breathing apparatus is properly fitted and operational before entering an H₂S contaminated area to provide assistance to anyone who may be injured or overcome by toxic gases.
- g. All Out of Scope Personnel will report to the appropriate Safe Briefing Area.

CONDITION III “EXTREME DANGER”
Warning Flags Red

Alarms Actuate at 15 ppm. Continuous Sirens and Flashing Lights

Characterized by: Critical well operations which pose an immediate threat of H₂S exposure to on-site personnel and a potential threat to the public.

- General Action:
- a. **WHEN DRILLING AHEAD -** Driller and designated crewmember will don 30 min SCBA, shut-in the well and immediately proceed to the Safe Briefing Area.
- WHEN TRIPPING –** Driller and two designated crewmembers will don 30

MRC ENERGY CO.'S

- min SCBA, shut in the well and immediately proceed to the Safe Briefing Area. The Derrickman will don a 5-minute escape pack, descend to the rig floor, don a 30-min SCBA (if necessary) and immediately proceed to the Safe Briefing Area.
- b. All In Scope Personnel should don SCBA if nearby and immediately proceed to Safe Briefing Area. If SCBA is not nearby at time of alarm, DO NOT GO TOWARDS RIG AREA, but proceed directly to the Safe Briefing Area
 - c. All out of Scope Personnel shall evacuate the location.
 - d. Remain in the Safe Briefing Area, take roll call and wait for instructions.
 - e. Contact the Total H2S Technician if not on location.
 - f. Personnel shall ensure that their breathing apparatus is properly fitted and operational before entering an H₂S contaminated area to provide assistance to anyone who may be injured or overcome by toxic gases. Use the buddy system.
 - g. Remain in safe briefing area, take roll call and wait for instructions.
 - h. A cascade breathing air systems shall be mobilized and utilized to conduct any additional on rig work required to correct the H₂S release condition.
 - i. If well is ignited do not assume area is safe. SO₂ is hazardous and not all H₂S will burn.

MRC ENERGY CO.'S

H₂S EMERGENCY PROCEDURES; IN SCOPE PERSONNEL**A. Day To Day Drilling Operations**

1. Upon discovering a release of H₂S gas in the ambient air by warning alarms or in any other way **Do Not Panic**.
2. Hold your breath donning the nearest Self Contained Breathing Apparatus and rapidly move up or across-wind away from the areas where H₂S sensing devices are in place, to the closest available safe briefing area. Continue to use breathing apparatus until it has been determined that the exposure of H₂S gas in the ambient air no longer exists. **Do Not Panic!**
3. Utilize the "Buddy System", i.e.; select and pair up each person participating in the drilling of an H₂S well prior to an emergency situation.
4. Help anyone who is overcome or affected by the H₂S gas by taking him/her up-wind out of the contaminated area. (This should be done utilizing an SCBA and with a buddy.)
5. Take necessary steps to confirm the release of the H₂S gas into the ambient air.
 - When an H₂S alarm activates, two designated personnel using the buddy system, while wearing their self contained breathing apparatus, will determine by the read-out on the fixed monitor which sensing device has detected the release of the H₂S gas.
 - They will utilize the hand-held sniffer type device at the particular sensing point disclosed on the fixed monitor to corroborate the fact that H₂S gas has actually been released. This will rule out the possibility of a false alarm. This will be done with a buddy and under mask after reporting to the Safe Briefing Area for roll call and instructions by on-site MRC Foreman.
6. Refer to the Emergency Phone Numbers and call emergency personnel.
7. Take the necessary steps to suppress the release of H₂S gas into the ambient air. Comply with the MRC Energy Co. Representative to physically suppress the release of H₂S gas at the actual release point.

MRC ENERGY CO.'S

8. Check all of MRC Energy Co.'s monitoring devices and increase gas-monitoring activities with the portable hand-operated H₂S and gas detector units.

Do Not Panic!

The MRC Energy Co. representative will assess the situation and with assistance of the Contractor's Representative and Total Safety's H₂S Safety Technician or on site designee, will assign duties to each person to bring the situation under control.

B. RESPONSIBILITIES OF WELL-SITE PERSONNEL

In the event of a release of potentially hazardous amounts of H₂S, all personnel will immediately don their protective breathing apparatus, the well will be shut in and personnel will proceed upwind to the nearest designated safe briefing area for roll call and instructions by MRC Foreman. Consideration will be given to evacuating Out of Scope Personnel, as situation warrants.

1. MRC ENERGY CO.'S Well-site Representatives

- a. If MRC Energy Co.'s well-site representative is incapacitated or not on location, this responsibility will fall to the Toolpusher/Driller.
- b. Immediately upon assessing the situation, set this plan into Action by initiating the proper procedures to contain the gas and notify the appropriate people and agencies.
- c. Ensure that the alarm area indicated by the fixed H₂S Monitor is checked and verified with a portable H₂S detector. (Safety Technician if on location or MRC assigned designee with a buddy utilizing SCBA's)
- d. Consult Pusher/driller of remedial actions as needed.
- e. Ensure that non-essential personnel proceed to the safe briefing area.
- f. Ensure location entrance barricades are positioned. Keep the number of persons on location to a minimum during hazardous operations.

MRC ENERGY CO.'S

- g. Consult each contractor, Service Company and all others allowed to enter the site, that H₂S gas may be encountered and the potential hazards that may exist.
- h. Authorize the evacuation of local residents if H₂S threatens Their safety.
- i. Non essential personnel should be evacuated from location if Situation warrants.

2. Toolpusher

- a. Toolpusher/Driller will assume responsibilities of MRC Energy Co.'s well-site representative if that person is incapacitated or not on location.
- b. Ensure that the alarm area indicated by the fixed H₂S monitor is checked and verified with a portable H₂S gas detector. (Alarm area indicated by the monitor will be Checked by the H₂S Technician and a buddy, under mask.) This will be done after checking in and roll call at the Upwind Safe Briefing Area.
- c. Confer with MRC Energy Co.'s well-site representative or superintendent and direct remedial action to suppress the H₂S and control the well.
- d. Ensure that personnel at the safe briefing area are instructed on emergency actions required.
- e. Ensure that personnel at the drill floor area are instructed on emergency actions required.
- f. Ensure that all personnel observe the appropriate safety and emergency procedures.
- g. Ensure that all persons are accounted for and provided emergency assistance as necessary.

MRC ENERGY CO.'S

3. Mud Engineer

- a. Run a sulfide check on the flowline mud.
- b. Take steps to determine the source of the H₂S and suppress it. Lime and H₂S scavenger shall be added to the mud as necessary.

4. Total H₂S Safety Technician, if on location, or MRC Designee

- a. H₂S Safety Technician or designee don nearest SCBA and report to Safe Briefing Area for roll call, take a buddy masked up and check monitor and verify with a portable H₂S detector the alarm area indicated by the fixed H₂S monitor. Advise the Toolpusher/Driller and MRC Energy Co.'s well-site representative of findings. Record all findings.
- b. If H₂S is flared, check for sulfur dioxide (SO₂) near the flare as necessary. Take hourly readings at different perimeters, log readings and record on location.
- c. Ensure that personnel at the safe briefing area are instructed on emergency actions required.
- d. Ensure that the appropriate warning flags are displayed.
- e. Ensure that all personnel are in S.C.B.A. as necessary.
- f. Ensure that all persons are accounted for and provide emergency assistance as necessary.
- g. Be prepared to evacuate rig if order is issued.

5. General Personnel & Visitors

- a. All In Scope Personnel, if not specifically designated to shut the well in or control the well, shall proceed to the (upwind) safe briefing area. All Out of Scope Personnel shall immediately proceed to the appropriate (upwind) safe briefing area or evacuate the site as conditions warrant.

MRC ENERGY CO.'S

- b. During any emergency, use the “buddy” system to prevent anyone from entering or being left in a gas area alone, even wearing breathing apparatus.
- c. Provide assistance to anyone who may be injured or overcome by toxic gases. Personnel shall ensure that their breathing apparatus is properly fitted and operational before entering a potentially H₂S contaminated area.
- d. Remain in safe briefing area and wait for instructions.

C. INSTRUCTIONS FOR IGNITING THE WELL

- 1. The Toolpusher/Driller will confer with MRC Energy Co.’s well-site representative who will secure the approval of the “Texas Wells Delivery Manager, prior to igniting the well, if at all possible.

The Toolpusher/Driller will be responsible for igniting the well in the event of severe well control problems. This decision should be made only as a last resort in situations where it is clear that:

- a. Human life and property are endangered, or
 - b. There is no hope of controlling the well under current conditions.
- 2. Once the decision has been made, the following procedures should be followed:
 - a. Two people wearing self-contained breathing apparatus will be needed for the actual lighting of the well. They must first establish the flammable perimeter by using an explosimeter. This should be established at 30% to 40% of the lower flammable limits.
 - b. After the flammable perimeter has been established and everyone removed from the area, the ignition team should select a site upwind of the well from which to ignite the well. This site should offer the maximum protection and have a clear path for retreat from the area.

MRC ENERGY CO.'S

- c. The ignition team should have safety belts and lifeline attached and manned before attempting ignition. If the leak is not ignited on the first attempt, move in 20 to 30 feet and fire again. Continue to monitor with the explosimeter and NEVER fire from an area with over 75% of the Lower Explosive Limit (LEL). If having trouble igniting the well, try firing 40 degrees to 90 degrees on either side of the well.
- d. If ignition is not possible due to the makeup of the gas, the toxic perimeter must be established and evacuation continued until the well is contained.
- e. All personnel must act only as directed by the person in charge of the operations.

NOTE: After the well is ignited, burning hydrogen sulfide (H₂S) will convert to sulfur dioxide (SO₂), which is also a highly toxic gas.

DO NOT ASSUME THE AREA IS SAFE AFTER THE WELL IS IGNITED

D. CORING PROCEDURES

Only essential personnel shall be on the rig floor. Ten (10) stands prior to retrieving core barrel; all personnel on drill floor and in derrick shall confirm self-Contained breathing apparatus available and ready for use.

A Total H₂S Technician will don a SCBA with a buddy assigned from the rig crew, and continuously monitor for H₂S at each connection. Any levels detected will require operations to be shut down and all involved personnel to don SCBAs. Precautions will remain in place until barrel is laid down.

All involved personnel will don SCBAs when removing the inner barrel from the outer barrel. SCBAs can be removed once the absence of H₂S is confirmed by the Total H₂S Technician.

Cores will be appropriately marked and sealed for transportation.

MRC ENERGY CO.'S

Normal Operations

1. Responsibilities of well-site personnel

a. Well-site Representative

1. Notify H₂S Technician of expected date to reach Contingency Plan implementation depth (Two (2) days prior to reaching suspected H₂S bearing zone) or prior to starting well work.
2. Ensure H₂S Safety Technician completes rig-up procedures prior to reaching Contingency Plan effective depth.
3. Restrict the number of personnel at the drilling rig or well site to a minimum while drilling, starting well work, testing or coring.
4. Ensure weekly H₂S drills/training are performed, if possible.

B. Toolpusher

1. Ensure that necessary H₂S safety equipment is provided on the rig, and that it is properly inspected and maintained.
2. Ensure that all personnel that work in the well area, are thoroughly trained in the use of H₂S safety equipment and periodic drills are held to maintain an adequate level of proficiency.

C. In Scope Personnel

1. Remain clean-shaven. Beards and long sideburns do not allow a proper facepiece seal.
2. Receive H₂S safety training on location, or confirm prior training by certification that is one year within date.
3. Familiarize yourself with the rig's Contingency Plan.
4. Inspect and practice putting on your breathing apparatus.

MRC ENERGY CO.'S

5. Know the location of the “safe briefing areas”.
6. Keep yourself “wind conscious”. Be prepared to quickly move upwind and away in the event of any emergency involving release of H₂S.

D. Total Safety H₂S Safety Technician or MRC Designee

1. Conduct training as necessary to ensure all personnel working in well area are familiar with the contingency procedures and the operation of emergency equipment.
2. Check all H₂S safety equipment to ensure that it is ready for emergency use:
 - Check pressure weekly for each shift on breathing apparatus (both 30-minute and hip-packs) to make sure they are charged to full volume.
 - Check pressure on cascade air bottles, if on location, to see that they are capable of recharging breathing apparatus.
 - Check oxygen resuscitator, if on location, to ensure that it is charged to full volume.
 - Check H₂S detectors weekly for each shift (fixed and portable), and explosimeter, to ensure they are working properly.
3. Provide a weekly report to MRC Energy Co.'s well-site representative documenting:
 - Calibrations performed on H₂S detectors.
 - Proper location and working order of H₂S safety equipment.
 - Attendance of all personnel, trained or retrained, and their company.
 - Weekly drills, if held and a list of personnel participating and summary of actions.

MRC ENERGY CO.'S

OUT OF SCOPE PERSONNEL

MRC Energy Co. policy will not require Out of Scope Personnel to be clean shaven, have processed medical questionnaires, fit testing, or have certified H2S Training.

MRC ENERGY CO.'S

SAFETY EQUIPMENT

All respirators will be designed, selected, used and maintained in conformance with ANSI Z88.2, American National Standard for respiratory protection.

Personal protective equipment must be provided and used. Those who are expected to use respiratory equipment in case of an emergency will be carefully instructed in the proper use and told why the equipment is being used. Careful attention will be given to the minute details in order to avoid possible misuse of the equipment during periods of extreme stress.

Self-contained breathing apparatus provides complete respiratory and eye protection in any concentration of toxic gases and under any condition of oxygen deficiency. The wearer is independent of the surrounding atmosphere because he/she is breathing with a system admitting no outside air. It consists of a full face mask, breathing tube, pressure demand regulator, air supply cylinder, and harness. Pure breathing air from the supply cylinder flows to the mask automatically through the pressure demand regulator which reduces the pressure to a breathing level. Upon inhalation, air flows into the mask at a rate precisely regulated to the user's demand. Upon exhalation, the flow to the mask stops and the exhaled breath passes through a valve in the face piece to the surrounding atmosphere. The apparatus includes an alarm & gauge which warns the wearer to leave the contaminated area for a new cylinder of air or cylinder refill.

The derrickman is provided with a full face piece unit attached to a 5– minute escape cylinder. He will also have his own self-contained 30-minute unit breathing apparatus located on the drilling floor. He will use the 5-minute unit to exit the derrick to the floor, donning the 30-minute unit located on the floor, if needed.

All respiratory protective equipment, when not in use, should be stored in a clean, cool, dry place, and out of direct sunlight to retard the deterioration of rubber parts. After each use, the mask assembly will be scrubbed with soap and water, rinsed thoroughly, and dried. Air cylinders can be recharged to a full condition from a cascade system.

Personnel in each crew will be trained in the proper techniques of bottle filling.

The primary piece of equipment to be utilized, should anyone be overcome by hydrogen sulfide, is the oxygen resuscitator, if on location.

When asphyxiation occurs, the victim must be moved to fresh air and immediately given artificial respiration. In order to assure readiness, the bottles of oxygen will be checked at regular intervals and an extra tank kept on hand.

Hand-operated pump-type detectors incorporating detector tubes will give more accurate readings of hydrogen sulfide. The pump-type draws air to be tested through the detector tube containing lead acetate-silica gel granules. Presence of hydrogen sulfide in the air sample is shown by the development of a dark brown stain on the granules, which is the

MRC ENERGY CO.'S

scale reading of the concentration of hydrogen sulfide. By changing the type of detector tube used, this detector may also be used for sulfur dioxide (SO₂) detection when hydrogen sulfide (H₂S) is being burned in the flare area.

Provisions must be made for the storage of all safety equipment as is evident from the foregoing discussion. All equipment must be stored in an available location so that anyone engaged in normal work situations is no more than "one breath away" from a mask.

MRC ENERGY CO.'S

V – TOXICITY OF VARIOUS GASES

Lethal Common Name ppm⁴	Chemical Formula	Specific Gravity¹	PEL (OSHA)²	STEL³
Hydrogen Cyanide 300	HCN	0.94	10	150
Hydrogen Sulfide 600	H ₂ S	1.18	20	Peak- 50ppm
Note: The ACGIH(7) recommends a TWA(6) value of 10ppm as the TLV(5) for H ₂ S and an STEL of 15ppm.				
Sulfur Dioxide 1000	SO ₂	2.21	2	5 ppm
Chlorine	CL ₂	2.45	1	
Carbon Monoxide 1000	CO	0.97	35	200/1 Hour
Carbon Dioxide 10%	CO ₂	1.52	5000	5%
Methane	CH ₄	0.55	90000	

¹ **Air = 1.0**² **Permissible** - Concentration at which is believed that all workers may repeatedly be exposed, day after day, without adverse effect.³ **STEL** - Short Term Exposure Limit. A 15-minute time weighted average.⁴ **Lethal** - Concentration that will cause death with short-term exposure.**TLV** – Threshold Limit Value; a concentration recommended by the American Conference of Governmental Industrial Hygienists (ACGIH)**TWA** – Time Weighted Average; the average concentration of contaminant one can be exposed to over a given eight-hour period.**ACGIH** – (American Conference of Governmental Industrial Hygienists) is an organization comprised of Occupational Health Professionals believed by many to be the top experts in the field of Industrial Hygiene. They are recognized as an expert resource by OSHA. The ACGIH releases a bi-annual publication “Threshold Limit Values and Biological Indices” that many safety professionals consider to be the authoritative document on airborne contaminants.

Reference: API RP-49, September 1974 - Reissued August 1978

MRC ENERGY CO.'S

VI. PROPERTIES OF GASES**A. CARBON DIOXIDE**

1. Carbon Dioxide (CO₂) is usually considered inert and is commonly used to extinguish fires. It is 1.52 times heavier than air and will concentrate in low areas of still air. Humans cannot breathe air containing more than 10% CO₂ without losing conscience or becoming disorientation in a few minutes. Continued exposure to CO₂ after being affected will cause convulsions, coma, and respiratory failure.

2. The threshold limit of CO₂ is 5000 ppm. Short-term exposure to 50,000 ppm (5%) is reasonable. This gas is colorless, odorless, and can be tolerated in relatively high concentrations.

B. HYDROGEN SULFIDE

1. Hydrogen Sulfide (H₂S) is a colorless, transparent, flammable gas. It is heavier than air and, hence, may accumulate in low places.

2. Although the slightest presence of H₂S in the air is normally detectable by its characteristic "rotten egg" odor, it is dangerous to rely on the odor as a means of detecting excessive concentrations because the sense of smell is rapidly lost, allowing lethal concentrations to be accumulated without warning. The following table indicates the poisonous nature of H₂S.

CONCENTRATION			EFFECTS
% H ₂ S	PPM	GR/100 SCF ¹	
0.001	10	.65	Safe for 8 hours without respirator. Obvious and unpleasant odor.
0.0015	15	0.975	Safe for 15 minutes of exposure without respirator.
0.01	100	6.48	Kills smell in 3-15 minutes; may sting eyes and throat.
0.02	200	12.96	Kills smell quickly; stings eyes and throat.
0.05	500	32.96	Dizziness; breathing ceases in a few minutes; need prompt artificial respiration.
0.07	700	45.92	Rapid Unconsciousness; death will result if not rescued promptly.
0.1	1000	64.80	Instant unconsciousness, followed by death within minutes.

¹ Grains per 100 Cubic Feet

MRC ENERGY CO.'S

VII. Treatment Procedures for Hydrogen Sulfide Poisoning

- A. Remove the victim to fresh air.
- B. If breathing has ceased or is labored, begin resuscitation immediately.
Note: This is the quickest and preferred method of clearing victim's lungs of contaminated air; however, under disaster conditions, it may not be practical to move the victim to fresh air. In such instances, where those rendering first aid must continue to wear masks, a resuscitator should be used.
- C. Apply resuscitator to help purge H₂S from the blood stream.
- D. Keep the victim at rest and prevent chilling.
- E. Get victim under physician's care as soon as possible.

C. SULPHUR DIOXIDE

1. Sulfur Dioxide (SO₂) is a colorless, non-flammable, transparent gas.
2. SO₂ is produced during the burning of H₂S. Although SO₂ is heavier than air, it can be picked up by a breeze and carried downwind at elevated temperatures. Since SO₂ is extremely irritating to the eyes and mucous membranes of the upper respiratory tract, it has exceptionally good warning powers in this respect. The following table indicates the toxic nature of SO₂:

CONCENTRATION		EFFECTS
% SO ₂	PPM	
0.0005	3 to 5	Pungent odor, normally a person can detect SO ₂ in this range.
0.0012	12	Throat irritation, coughing, constriction of the chest, tearing and smarting of eyes.
0.015	150	So irritating that it can only be endured for a few minutes.
.05	500	Causes a sense of suffocation, event with the first breath.

MRC ENERGY CO.'S

VIII. BREATHING AIR EQUIPMENT DRILLS FOR ON & OFF DUTY PERSONNEL

An H₂S Drill and Training Session must be given once a week to ALL on-duty personnel with off duty personnel. On-duty and Off-duty personnel will reverse roles on alternate drills.

An H₂S drill and training session must be given once a week to all off-duty personnel in coincidence with on-duty personnel reversing roles on alternate drills.

The purpose of this drill is to instruct the crews in the operation and use of breathing air and H₂S related emergency equipment and to allow the personnel to become acquainted with using the equipment under working conditions. The crews should be trained to put on the breathing air equipment within one minute when required or requested to do so.

The following procedure should be used for weekly drills. The MRC supervisor must be satisfied that the crews are proficient with the equipment.

1. All personnel should be informed that a drill will be held.
2. The Total H₂S Safety Technician or a designee assigned by the MRC Drilling Foreman should initiate the drill by signaling as he/she would if H₂S was detected.
3. Personnel should don their breathing apparatus.
4. Once the breathing air equipment is on, the H₂S Technician should check all personnel to insure proper operation.

A training and information session will be conducted after each drill to answer any H₂S related questions and to cover any gaps identified from one of the following topics:

- Condition II, and III alerts and steps to be taken by all personnel.
- The importance of wind direction when dealing with H₂S.
- Proper use and storage of all types of breathing equipment.
- Proper use and storage of oxygen resuscitators.
- Proper use and storage of H₂S detectors (Mini Checks or equivalent).
- The "buddy system" and the procedure for rescuing a person overcome by H₂S.
- Responsibilities and duties.
- Location of H₂S safety equipment.
- Other parts of the "H₂S Contingency Plan" that should be reviewed.

NOTE: A record of attendance must be kept for weekly drills and training sessions.

MRC ENERGY CO.'S

IX. HYDROGEN SULFIDE TRAINING CURRICULUM

(FOR EMPLOYERS, VISITORS, AND CONTRACTORS)

EACH PERSON WILL BE INFORMED ON THE RESTRICTIONS OF HAVING BEARDS AND CONTACT LENS. THEY WILL ALSO BE INFORMED OF THE AVAILABILITY OF SPECTACLE KITS.

AFTER THE H2S EQUIPMENT IS RIGGED UP, ALL IN SCOPE PERSONNEL WILL BE H2S TRAINED AND PUT THROUGH A DRILL. ANY DEFICIENCIES WILL BE CORRECTED.

Training Completion cards are good for one year and will indicate date of completion or expiration. Personnel previously trained on another facility and visiting, must attend a "supplemental briefing" on H2S equipment and procedures before beginning duty. Visitors who remain on the location more than 24 hours must receive full H2S training given all crew members. A "supplemental briefing" will include but not be limited to: Location of respirators, familiarization with safe briefing areas, alarms with instruction on responsibilities in the event of a release and hazards of H2S and (SO2, if applicable). A training and drill log will be kept.

Topics for full H2S training shall include the following equipment if on location, but not be limited to the following:

1. **Brief Introduction on H2S**
 - A. Slide or Computer presentation (If Available)
 - B. H2S material will be distributed
 - C. Re-emphasize the properties, toxicity, and hazards of H2S
 - D. Source of SO2 (if applicable)

2. **H2S Detection**
 - A. Description of H2S sensors
 - B. Description of warning system (how it works & it's location)
 - C. Actual location of H2S sensors
 - D. Instruction on use of pump type detector (Gastec)
 - E. Use of card detectors, ampoules, or dosimeters
 - F. Use of combustible gas detector
 - G. Other personnel detectors used
 - H. Alarm conditions I & II,
 - I. SO2 alarms (if applicable)

MRC ENERGY CO.'S

3. **H2S Protection**
 - A. Types of breathing apparatus provided (30-minute SCBA & 5-minute SCBA (with voice diaphragms for communication if supplied)
 - B. Principle of how breathing apparatus works
 - C. Demonstration on how to use breathing apparatus
 - D. Location of breathing apparatus

4. **Cascade System**
 - A. Description of cascade system
 - B. How system works
 - C. Cascade location of rig with reference to briefing areas
 - D. How to use cascade system (with 5-minute hose work line units & refill, if supplied)
 - E. Importance of wind direction and actual location of Windsocks
 - F. Purpose of compressor/function (if one is on site)

5. **H2S Rescue and First Aid**
 - A. Importance of wind direction
 - B. Safe briefing area
 - C. Buddy system
 - D. H2S symptoms
 - E. Methods of rescue

6. **Hands on Training**
 - A. Donning/familiarization of SCBA 30-minute unit
 - B. Donning/familiarization of SKADA 5- MIN. Packs
 - C. Familiarization of cascades
 - D. Use of O2 resuscitator
 - E. Alarm conditions - upwind briefing areas, etc...
 - F. Duties and responsibilities of all personnel
 - G. Procedures for evacuation
 - H. Search and Rescue teams

7. **Certification**
 - A. Testing on material covered

MRC ENERGY CO.'S

TOTAL SAFETY US INC., FIT TEST

X. EMPLOYEE INFORMATION

Employee Name: _____ Date: _____

Date of Employee Medical Evaluation: _____

Medical Status (circle): Unrestricted Limitations on Use Use Not
Authorized

RESPIRATOR INFORMATION

Respirator Type (Dustmask, SCBA, etc): _____

Brand: _____

Size: (circle): XS S M L XL

FIT TEST INFORMATION

Type of Fit Test Performed:

Quantitative

Porta Count

Fit Factor: _____

Fittester 3000

Fit Factor: _____

Qualitative

Irritant Smoke

Passed / Failed

Isoamyl Acetate (Banana Oil)

Passed / Failed

Saccharin

Passed / Failed

Bitrex

Passed / Failed

I hereby certify that this fittest was conducted in accordance with the OSHA Fit Testing Protocols found in Appendix A of 1910.134.

Fit Tester Name (Print): _____

Signature: _____ Date: _____

MRC ENERGY CO.'S

XI. H₂S SAFETY SERVICES

HYDROGEN SULFIDE SAFETY PACKAGE – Contained on location in Total Safety H₂S Equipment Trailer, unless otherwise noted:

RESPIRATORY SAFETY SYSTEMS**QTY DESCRIPTION**

- 12 30-Minute Pressure Demand SCBA
(4-Primary Safe Briefing Area, 4-Secondary Safe Briefing Area, 4-floor with one of these for derrick man)
- 9 Hose Line 5-minute Work Unit w/Escapes Cylinder (1 in derrick, 6 on drill floor, 1 in mud pit wt area, 1 in shaker area)

The following shall be part of the package if requested by the MRC Foremen (at least one trailer with cascade system is required to be located in the MRC Magnolia asset for use as needed)

- 1 Breathing air cascade of 10 bottles w/regulator
- 2 Refill lines to refill 30-minute units on location
- 1 6-Man manifold that can be rigged up to work area on floor, if needed
- 6 25 foot hose lines
- 2 50 foot hose lines
- 100 Feet of hose line to rig cascade up to 12 man manifold on floor
- 12 30-minute Self Contained Breathing apparatus

DETECTION AND ALARM SAFETY SYSTEM

- 1 H₂S Fixed Monitor w/8Channels (Loc determined at rig up) suggested.
(Mud pit area, shaker area, bell nipple area, floor/driller area, & outside quarters)
- 5 H₂S Sensors
- 3 Explosion Proof Alarms (Light and Siren)
(1 on floor, 1 in work area, 1 in trailer area where quarters are located)
- 2 Personal H₂S monitors
- 1 Portable Tri-Gas Hand Held Meter (O₂, LEL, H₂S)
- 1 Sensidyne/Gastech Manual Pump Type Detector
- 8 Boxes H₂S Tubes Various Ranges
- 2 Boxes SO₂ Tubes Various Ranges
- 1 Calibration Gas
- 1 Set Paper Work for Records: Training, Cal, Inspection, other

MRC ENERGY CO.'S

ADDITIONAL SAFETY RELATED EQUIPMENT

QTY DESCRIPTION

- 2 Windsocks with Pole and Bracket
- 1 Set Well Condition Sign w/Green, Yellow, Red Flags
- 1 Primary Safe Briefing Area Sign
- 1 Secondary Safe Briefing Area Sign
- 6 Operating Condition Signs for Work Areas & Living Quarters

**TRAILER WITH BREATHING AIR CASCADE WILL
ALSO INCLUDE THE FOLLOWING:**

This equipment will be part of the H2S equipment stored in the trailer, when on location

- 1 First aid kit
- 1 Fire Blanket
- 1 Eye wash station
- 2 Safety Harness w/150' safety line

MRC ENERGY CO.'S

XII. EMERGENCY PHONE NUMBERS (Updated March 18, 2009)

EMERGENCY PHONE NUMBERS

MRC Energy Co. Emergency Phone #
 MRC Energy Co. Permian Operations Phone-----
MRC Energy Co. Production
 113 Daw Rd
 Mansfield LA 71052

Title	Names	Phone	Cell
Operations Manager			
Operation Supt.			
Operations Supervisor			
Operations Supervisor			
Office Supervisor			
HSE			
Scheduler Planner			

Hydrogen Sulfide Safety Consultants

Total Safety W. Bender Blvd. Hobbs, NM	575-392-2973	After Hours 24 Hour Call Center Through Office Number
Tommy Throckmorton Operations Manager	575-392-2973	940-268-9614
Rodney Jourdan Sales Contact	575-392-2973	432-349-3928

MRC ENERGY CO.'S

MRC Energy Co. MEDICAL RESPONSE PLAN AND IT'S MEDICAL PROTOCOLS WILL BE FOLLOWED**MEDICAL COORDINATOR # -----**[Emergency Numbers & Directions](#)**Hospitals (911)**

Artesia General Hospital 702 N. 13th St. Artesia, NM 88210	Main Phone Number	575-748-3333
Nor-Lea General Hospital 1600 N. Main Ave. Lovington, NM 88260	Main Phone Number	575-396-6611
Lea Regional Medical Center 5419 N. Lovington Hwy Hobbs, NM 88240	Main Phone Number	575-492-5260
Carlsbad General Hospital 2430 W. Pierce St. Carlsbad, NM	Main Phone Number	575-887-4100
Lovelace Regional Hospital 117 E. 19th St Roswell, NM 88201	Main Phone Number	575-627-7000
Winkler Co. Memorial Hospital 821 Jeffee Dr. Kermit, Texas 79745	Main Phone Number	432-586-8299
Reeves County Hospital 2323 Texas St. Pecos, Texas 79772	Main Phone Number	432-447-3551

MRC ENERGY CO.'S

State Police (911)

Texas DPS Loving co. 225 N.Pecos Mentone, Texas 79754	Office Number	432-377-2411
Texas DPS Winkler Co. 100 E Winkler Kermit, Texas 79745	Office Number	432-586-3465
Texas DPS Pecos Co. 148 N I-20 Frontage RD Pecos, Texas 79772	Office Number	432-447-3532
New Mexico State Police 3300 W. Main St Artesia, NM	Office Number	575-748-9718
New Mexico State Police 304 N. Canyon St Carlsbad, NM 88220	Office Number	575-885-3137
New Mexico State Police 5100 Jack Gomez Blvd. Hobbs, NM 88240	Office Number	575-392-5588

Local Law Enforcement (911) (Sheriff)

Reeves Co. Sheriff 500 N. Oak ST Pecos, Texas 79722	Office Number	432-445-4901
Winkler Co. Sheriff 1300 Bellaire St. Kermit, Texas 79745	Office Number	432-586-3461
Loving Co. Sheriff Courthouse Mentone, Texas	Office Number	432-377-2411
Lea Co. Sheriff 1417 S. Commercial St. Lovington, NM 88260	Office Number	
Eddy Co. Sheriff 305 N 7th St. Artesia, NM 88210	Office Number	575-766-9888
Eddy Co. Sheriff 305 N 7th St. Carlsbad, NM 88220	Office Number	575-746-9888

MRC ENERGY CO.'S

Federal & State Agencies

OSHA Lubbock Area Office 1205 Texas Av. Room 806 Lubbock, Texas 79401	Main Number	806-472-7681 EXT 7685
New Mexico Environment Department 400 N Pennsylvania Roswell, NM 88201	Joe Fresquez	575-623-3935
Texas Railroad Commission Midland, Texas	Main Number	844-773-0305
BLM Carlsbad, NM Field Office 620 E. Green ST Carlsbad, NM 88220	Main Number	575-234-5972
BLM Hobbs Field Station 414 W. Taylor Rd. Hobbs, NM 88240	Main Number	575-393-3612
BLM Roswell District Office 2909 W. Second St. Roswell, NM 88201	Main Number	575-627-0272
TECQ Texas Commission on Environmental Quality	Main Number	800-832-8224
New Mexico OCD		
U.S. Environmental Protection Agency Region 6 Texas/New Mexico	Main Number	214-655-2222
National Response Center Toxic Chemicals & Oil Spills	Main Number	800-424-8802

Rig Company

MRC ENERGY CO.'S

XIII. EVACUATION OF THE GENERAL PUBLIC

The procedure to be used in alerting nearby persons in the event of any occurrence that could pose a threat to life or property will be arranged and completed with public officials in detail, prior to drilling into the hydrogen sulfide formations.

In the event of an actual emergency, the following steps will be immediately taken:

1. The MRC Energy Co.'s representative will dispatch sufficient personnel to immediately warn each resident and transients down-wind within radius of exposure from the well site. Then warn all residence in the radius of exposure. Additional evacuation zones may be necessary as the situation warrants.
2. The MRC Energy Co.'s representative will immediately notify proper authorities, including the Sheriff's Office, Highway Patrol, and any other public officials as described above and will enlist their assistance in warning residents and transients in the calculated radius of exposure.
3. The MRC Energy Co.'s representative will dispatch sufficient personnel to divert traffic in the vicinity away from the potentially dangerous area. A guard to the entrance of the well site will be posted to monitor essential and non essential traffic.
4. General:
 - A. The area included within the radius of exposure is considered to be the zone of maximum potential hazard from a hydrogen sulfide gas escape. Immediate evacuation of public areas, in accordance with the provisions of this contingency plan, is imperative. When it is determined that conditions exist which create an additional area (beyond the initial zone of maximum potential hazard) vulnerable to possible hazard, public areas in the additional hazardous area will be evacuated in accordance with the contingency plan.
 - B. In the event of a disaster, after the public areas have been evacuated and traffic stopped, it is expected that local civil authorities will have arrived and within a few hours will have assumed direction of and control of the public, including all public areas. MRC Energy Co. will cooperate with these authorities to the fullest extent and will exert every effort by careful advice to such authorities to prevent panic or rumors.
 - C. MRC Energy Co. will dispatch appropriate management personnel at the disaster site as soon as possible. The company's personnel

MRC ENERGY CO.'S

will cooperate with and provide such information to civil authorities as they might require.

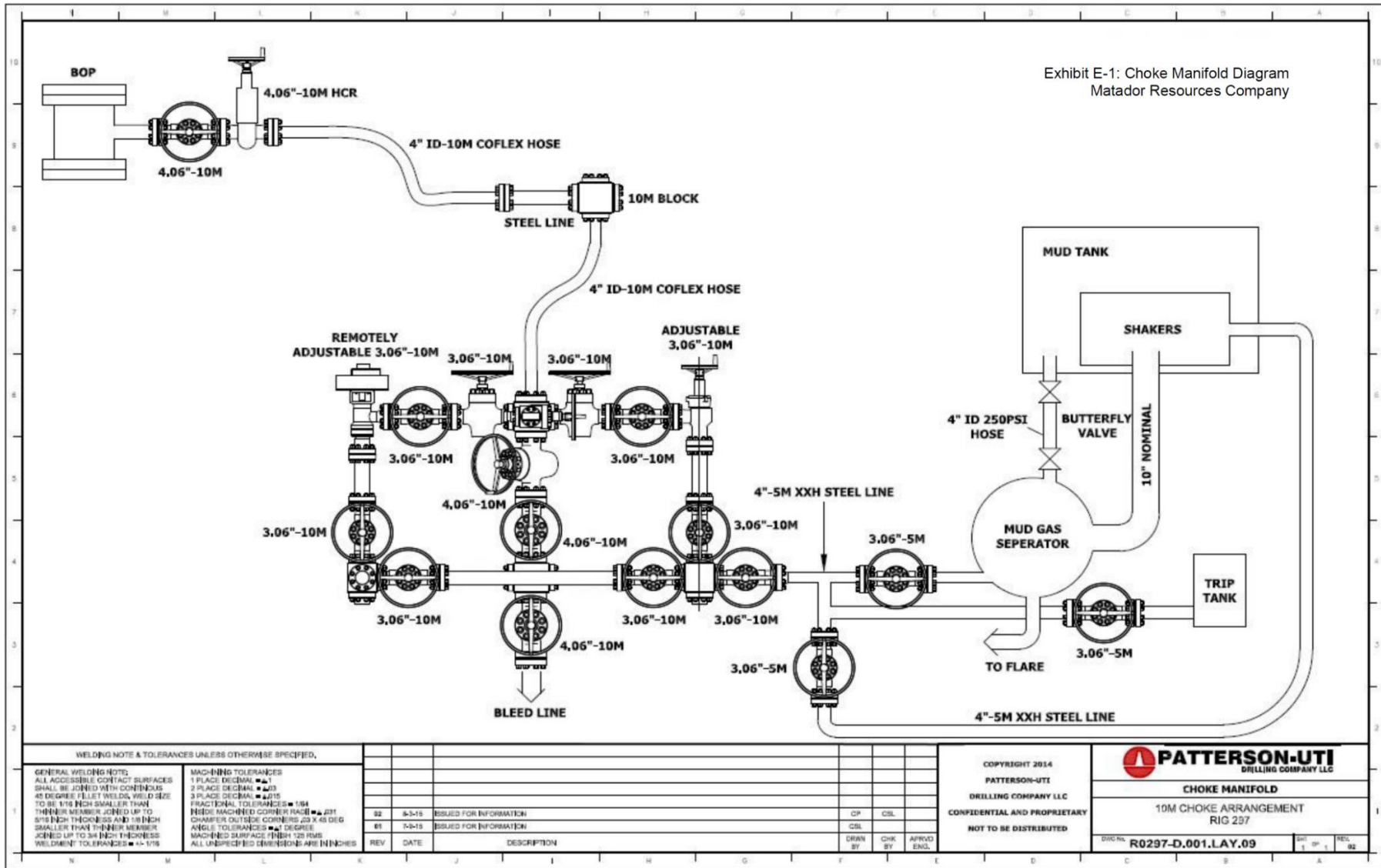
- D. One of the products of the combustion of hydrogen sulfide is sulfur dioxide (SO₂). Under certain conditions this gas may be equally as dangerous as H₂S. A pump type detector device, which determines the percent of SO₂ in air through concentrations in ppm, will be available. Although normal air movement is sufficient to dissipate this material to safe levels, the SO₂ detector should be utilized to check concentrations in the proximity of the well once every hour, or as necessary and the situation warrants. Also, if any low areas are suspected of having high concentrations, personnel should be made aware of these areas, and steps should be taken to determine whether or not these low areas are hazardous.

MRC ENERGY CO.'S

Exhibit E-6: H2S Contingency Plan Emergency Contacts
Matador Resources Company

Company Office			
Matador Resources Company		(972)-371-5200	
Key Personnel			
Name	Title	Office	Mobile
Billy Goodwin	Vice President Drilling	972-371-5210	817-522-2928
Gary Martin	Drilling Superintendent		601-669-1774
Dee Smith	Drilling Superintendent	972-371-5447	972-822-1010
Blake Hermes	Drilling Engineer	972-371-5485	713-876-8558
	Construction Superintendent		
	Construction Superintendent		
Artesia			
Ambulance			911
State Police		575-746-2703	
City Police		575-746-2703	
Sheriff's Office		575-746-9888	
Fire Department		575-746-2701	
Local Emergency Planning Committee		575-746-2122	
New Mexico Oil Conservation Division		575-748-1283	
Carlsbad			
Ambulance			911
State Police		575-885-3137	
City Police		575-885-2111	
Sheriff's Office		575-887-7551	
Fire Department		575-887-3798	
Local Emergency Planning Committee		575-887-6544	
New Mexico Oil Conservation Division		575-887-6544	
Santa Fe			
New Mexico Emergency Response Commission (Santa Fe)		505-476-9600	
New Mexico Emergency Response Commission (Santa Fe) 24 hrs		505-827-9126	
New Mexico State Emergency Operations Center		505-476-9635	
National			
National Emergency Response Center (Washington, D.C.)		800-424-8802	
Medical			
Flight for Life- 4000 24th St.; Lubbock, TX		806-743-9911	
Aerocare- R3, Box 49F; Lubbock, TX		806-747-8923	
Med Flight Air Amb- 2301 Yale Blvd S.E., D3; Albuquerque, NM		505-842-4433	
SB Air Med Service- 2505 Clark Carr Loop S.E.; Albuquerque, NM		505-842-4949	
Other			
Boots & Coots IWC		800-256-9688	or 281-931-8884
Cudd Pressure Control		432-699-0139	or 432-563-3356
Haliburton		575-746-2757	
B.J. Services		575-746-3569	

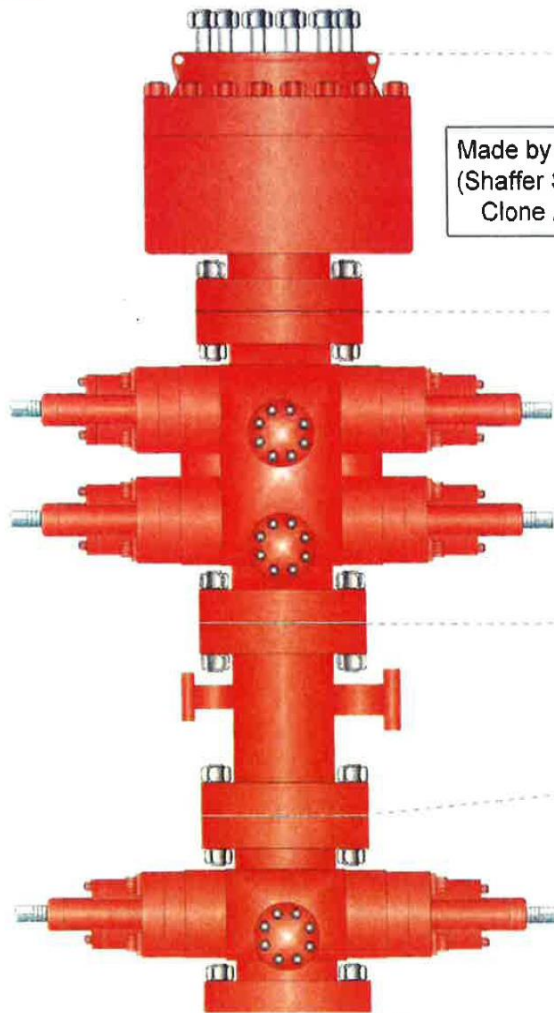
5M Choke Manifold Arrangement



5M BOP



RIG: 297



Made by Cameron
(Shaffer Spherical)
Clone Annular

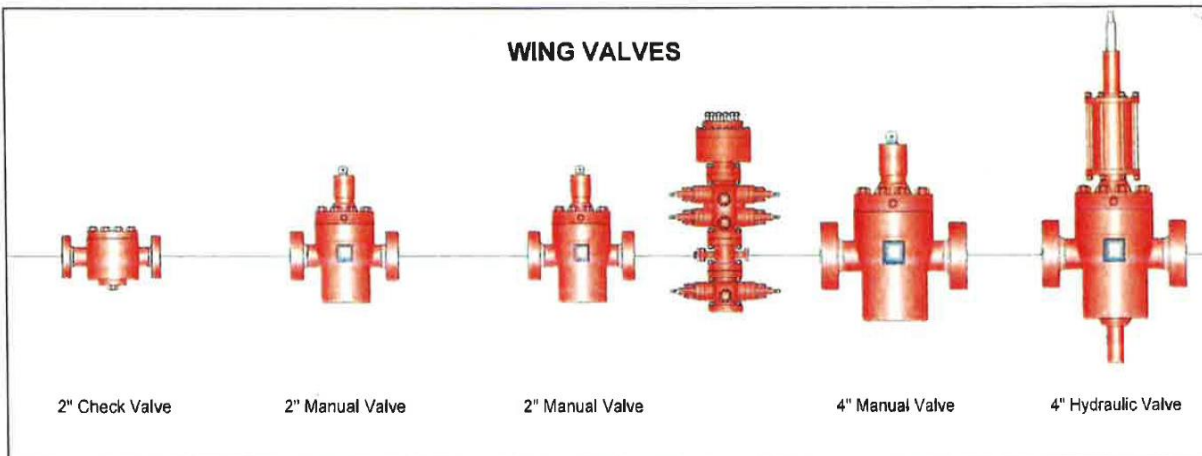
PATTERSON-UTI # PS2-628
 STYLE: New Shaffer Spherical
 BORE 13 5/8" PRESSURE 5,000
 HEIGHT: 48 1/2" WEIGHT: 13,800 lbs

PATTERSON-UTI # PC2-128
 STYLE: New Cameron Type U
 BORE 13 5/8" PRESSURE 10,000
 RAMS: TOP 5" Pipe BTM Blinds
 HEIGHT: 66 5/8" WEIGHT: 24,000 lbs

Length 40" Outlets 4" 10M
 DSA 4" 10M x 2" 10M

PATTERSON-UTI # PC2-228
 STYLE: New Cameron Type U
 BORE 13 5/8" PRESSURE 10,000
 RAMS: 5" Pipe
 HEIGHT: 41 5/8" WEIGHT: 13,000 lbs

WING VALVES



Co-Flex Hose Certification



CERTIFICATE OF QUALITY

LTYQ/QR-5.7.1-19B

No: LT2024-029-002

Customer Name	Austin Hose		
Product Name	Choke And Kill Hose		
Product Specification	3"×10000psi×11.08ft (3.38m)	Quantity	2PCS
Serial Number	7660215、7660216	FSL	FSL3
Temperature Range	-29℃~+121℃	Standard	API Spec 16C 3 rd edition
Inspection Department	Q.C. Department	Inspection date	2024.02.20

Inspection Items	Inspection results
Appearance Checking	In accordance with API Spec 16C 3 rd edition
Size and Lengths	In accordance with API Spec 16C 3 rd edition
Dimensions and Tolerances	In accordance with API Spec 16C 3 rd edition
End Connections: 4-1/16"×10000psi Integral flange for sour gas service	In accordance with API Spec 6A 21 st edition
End Connections: 4-1/16"×10000psi Integral flange for sour gas service	In accordance with API Spec 17D 3 rd edition
Hydrostatic Testing	In accordance with API Spec 16C 3 rd edition
product Marking	In accordance with API Spec 16C 3 rd edition

Inspection conclusion	The inspected items meet standard requirements of API Spec 16C 3 rd edition		
Remarks			

Approver	<i>Jane C</i>	Auditor	<i>Alice D</i>	Inspector	<i>Leo W</i>
----------	---------------	---------	----------------	-----------	--------------

LUOHE LETONE HYDRAULICS TECHNOLOGY CO.,LTD



Co-Flex Hose Certification



HYDROSTATIC TESTING REPORT

LTYT/QR-5.7.1-28

No: 240220001

Product Name	Choke And Kill Hose	Standard	API Spec 16C 3 rd edition
Product Specification	3"×10000psi×11.08ft (3.38m)	Serial Number	7660215
Inspection Equipment	MTU-BS-1600-3200-E	Test medium	Water
Inspection Department	Q.C. Department	Inspection Date	2024.02.20

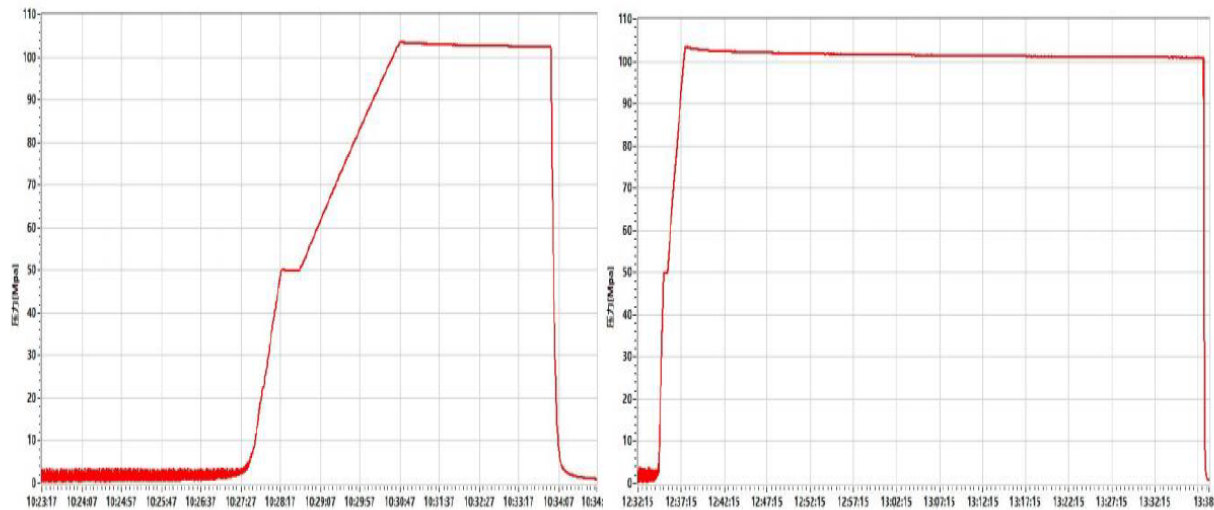
Rate of length change

Standard requirements	At working pressure ,the rate of length change should not more than65 mm (2½ in.)+ 0.01 L
Testing result	10000psi (69.0MPa) ,length change 7mm

Hydrostatic testing

Standard requirements	At 1.5 times working pressure, the initial pressure-holding period of not less than three minutes, the second pressure-holding period of not less than one hour, no leaks.
Testing result	15000psi (103.5MPa), 3 min for the first time, 60 min for the second time, no leakage

Graph of pressure testing:



Conclusion	The inspected items meet standard requirements of API Spec 16C 3 rd edition				
Approver	Jane C	Auditor	Alice D	Inspector	Leo W

LUOHE LETONE HYDRAULICS TECHNOLOGY CO.,LTD



Co-Flex Hose Certification



HYDROSTATIC TESTING REPORT

LTYY/QR-5.7.1-28

№: 240220002

Product Name	Choke And Kill Hose	Standard	API Spec 16C 3 rd edition
Product Specification	3"×10000psi×11.08ft (3.38m)	Serial Number	7660216
Inspection Equipment	MTU-BS-1600-3200-E	Test medium	Water
Inspection Department	Q.C. Department	Inspection Date	2024.02.19

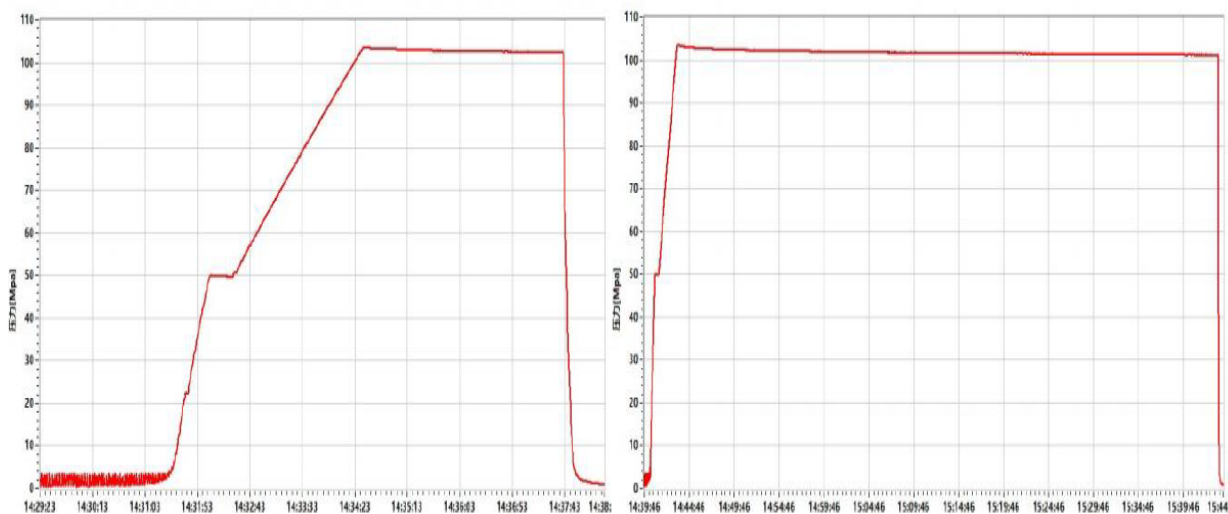
Rate of length change

Standard requirements	At working pressure ,the rate of length change should not more than65 mm (2½ in.)+ 0.01 L
Testing result	10000psi (69.0MPa) ,length change 8mm

Hydrostatic testing

Standard requirements	At 1.5 times working pressure, the initial pressure-holding period of not less than three minutes, the second pressure-holding period of not less than one hour, no leaks.
Testing result	15000psi (103.5MPa), 3 min for the first time, 60 min for the second time, no leakage

Graph of pressure testing:



Conclusion	The inspected items meet standard requirements of API Spec 16C 3 rd edition				
Approver	Jane C	Auditor	Alice D	Inspector	Leo W

LUOHE LETONE HYDRAULICS TECHNOLOGY CO.,LTD



Co-Flex Hose Certification



CERTIFICATE OF CONFORMANCE

№:LT240220003

Product Name: Choke And Kill Hose

Product Specification: 3"×10000psi×11.08ft (3.38m)

Serial Number: 7660215、7660216

End Connections: 4-1/16"×10000psi Integral flange for sour gas service

The Choke And Kill Hose assembly was produced by LUOHE LETONE HYDRAULICS TECHNOLOGY CO.,LTD.in Feb, 2024, and inspected by LUOHE LETONE HYDRAULICS TECHNOLOGY CO.,LTD. according to API Spec 16C 3rd edition on Feb 20, 2024. The overall condition is good. This is to certify that the Choke And Kill Hose complies with all current standards and specifications for API Spec 16C 3rd edition .

QC Manager:

Jane C

Date:Feb 20, 2024

LUOHE LETONE HYDRAULICS TECHNOLOGY CO.,LTD



Offline Cementing - Surface Casing

Matador Production Company requests the option to cement the surface casing string offline as a prudent batch drilling efficiency of acreage development.

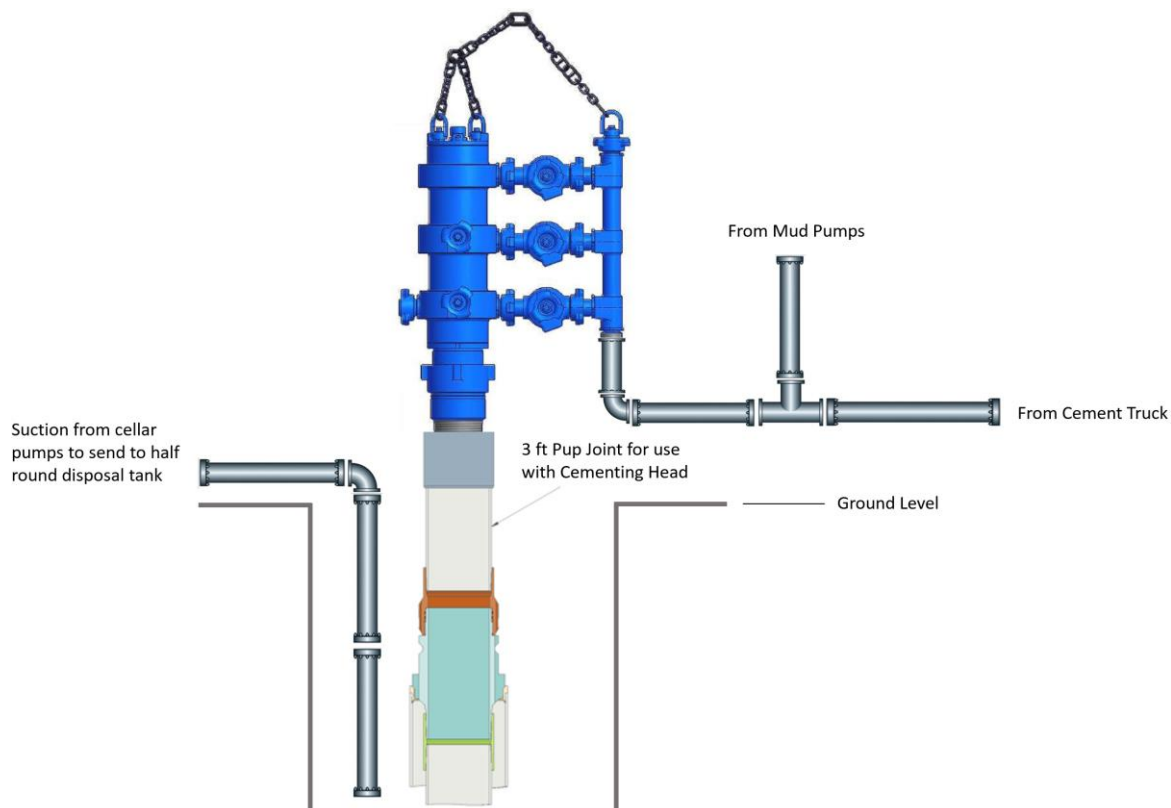
Cement Program

No changes to the cement program will take place for offline cementing.

Offline Cementing Procedure

The operational sequence will be as follows. Well must meet the below requirements to be a candidate for offline cementing, if wellbore conditions change, BLM will be notified.

- No noticeable wellbore instability.
 - Casing installed successfully with no issues.
 - No observed shallow gas or other anomalies
1. Run casing as per normal operations. While running casing, confirm integrity of the float equipment (float collar and shoe).
 2. Land casing with mandrel.
 3. Install cap flange.
 4. Skid rig to the next well on the pad.
 5. Rig up on the well in accordance with the diagram shown below.



6. Circulate bottoms up with cement truck.
 - Max anticipated time before circulating with cement truck is 24 hours.
7. Perform cement job, taking returns in the cellar.
8. Confirm well is static and floats are holding following the cement job.
9. Remove cement equipment and install night cap with pressure gauge for monitoring.

Offline Cementing - Intermediate Casing

Matador Production Company requests the option to cement the intermediate casing string offline as a prudent batch drilling efficiency of acreage development.

Cement Program

No changes to the cement program will take place for offline cementing.

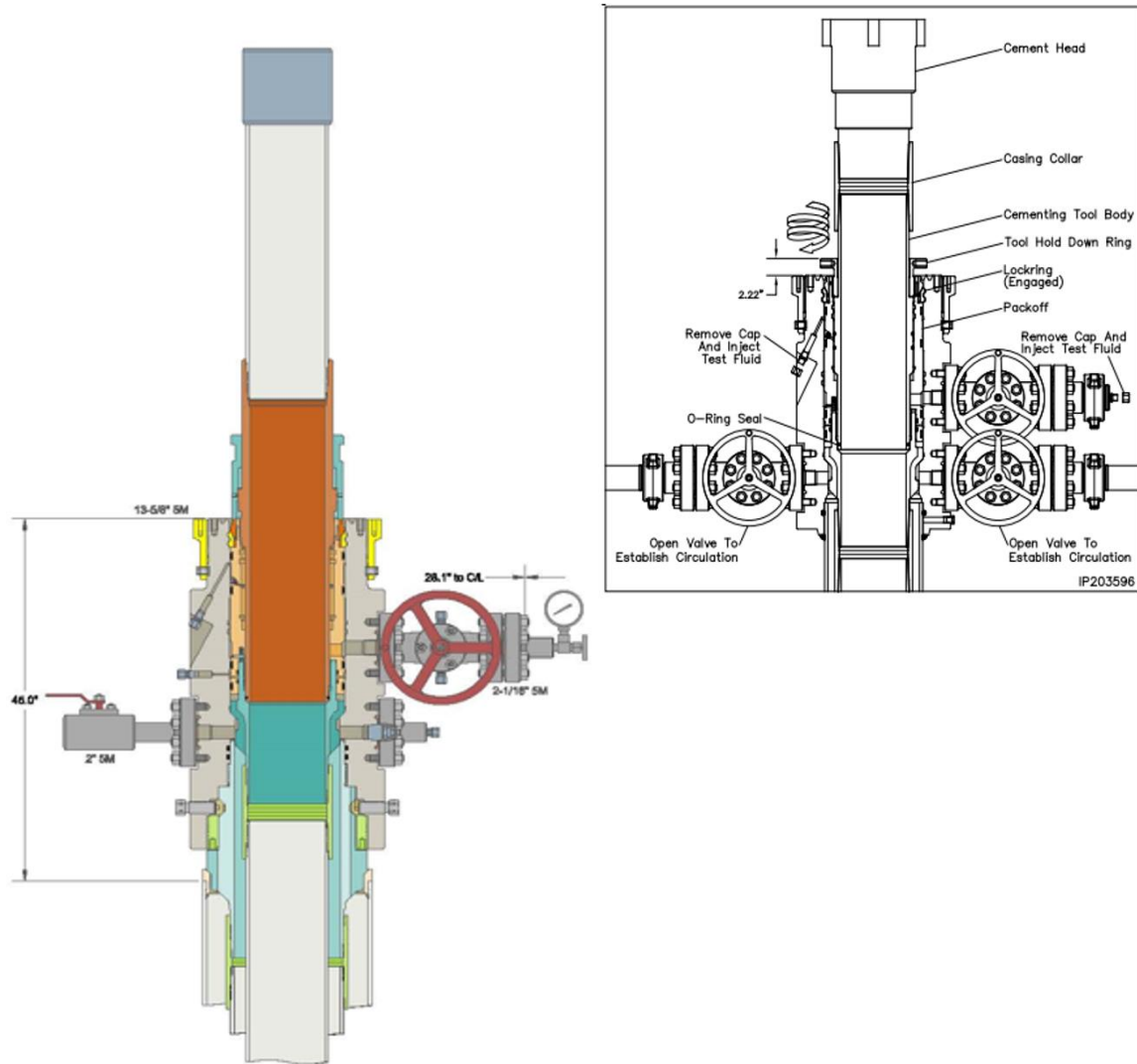
Offline Cementing Procedure

The operational sequence will be as follows. Well must meet the below requirements to be a candidate for offline cementing, if wellbore conditions change, BLM will be notified.

- No noticeable wellbore instability.
 - Casing installed successfully with no issues.
 - No observed shallow gas or other anomalies
 - Intermediate hole section must have a MASP of 5,000 psi or lower.
1. Run casing as per normal operations. While running casing, confirm integrity of the float equipment (float collar and shoe).
 2. Land Intermediate casing with fluted mandrel hanger through BOP stack.
 3. Remove the landing joint and set packoff through BOP. Pressure test seals to 5,000 psi for 10 minutes. After the test, engage the lockring.
 4. Notify the BLM 4 hours prior to N/D BOP and offline cementing. Confirm the following barriers are operational:
 - a. Inside Casing: 2 float valves and mud weight sufficient to hold back pore pressure
 - b. Annulus (outside) Casing: Packoff and mud weight sufficient to hold back pore pressure
 5. Once the well is secure and BLM has been notified, proceed with nipping down BOP and installing cap flange.
 6. Skid rig to the next well on the pad.
 7. Rig up lines to take returns from wellhead through the cement choke manifold to the pits.
 8. Attach a test pump with manifold to the open fitting and pump clean fluid until a stable test pressure of 5,000 psi is achieved. Hold pressure for 15 minutes. After a satisfactory test, bleed off test pressure, remove test pump and reinstall cap flange on the open fitting.
 9. Attach the test pump to the upper outlet valve and pressure up the void area between the upper and lowermost O-rings until a stable test pressure of 5,000 psi is achieved. After a satisfactory test, bleed off all test pressure and leave the upper valve in the open position.
 10. Place a mark across the top of the wellhead to monitor possible rotation of the tool during the cement job.
 11. Install the casing hanger/packoff offline cementing tool. Rig up cement head and cementing lines. Pressure test lines against the cement head as per cement procedure.
 12. Break circulation on well to confirm no restrictions. If shallow gas is encountered, shut in the well and reroute returns through the gas buster.
 - a. Max anticipated time before circulating with cement truck is 24 hours.
 13. Establish circulation and cement casing as per plan, taking returns through the two 2-1/16" 5M gate valves on the housing lower outlets. At plug bump, pressure test casing to 0.22 psi/ft per foot of casing string length or 1,500 psi, whichever is greater, but not to exceed 70% of the minimum internal yield.
 14. With cement in place, confirm well is static and floats are holding. Bleed off the cement pressure and remove cement head.
 15. Remove the casing hanger/packoff offline cementing tool.
 16. Install TA cap with pressure gauge for monitoring.

Offline Cementing - Intermediate Casing

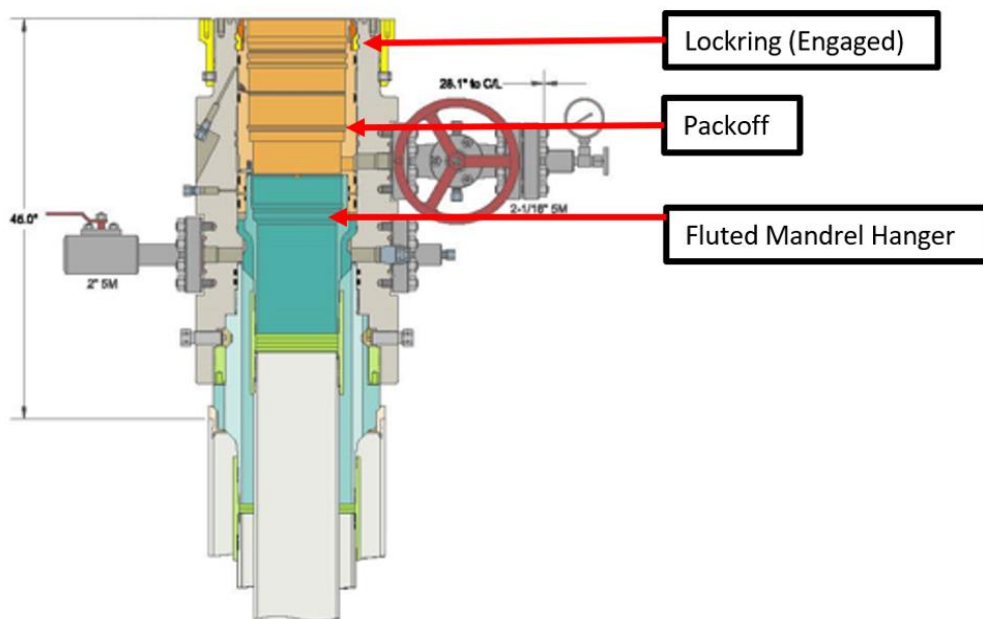
Figure 1: Cactus Offline Cementing Tool Schematic (5M tool)



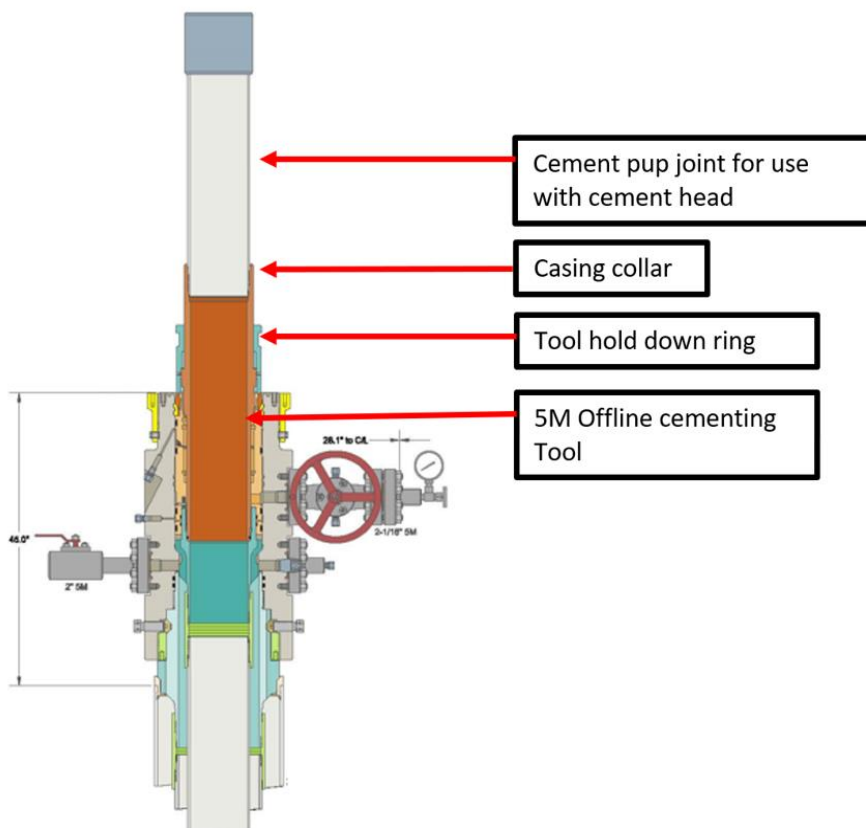
Offline Cementing - Intermediate Casing

Figure 2: Step-by-Step schematics procedure

Step 1: Landing the mandrel hanger and setting the packoff. The well is sealed with mud, two float valves, and packoff.

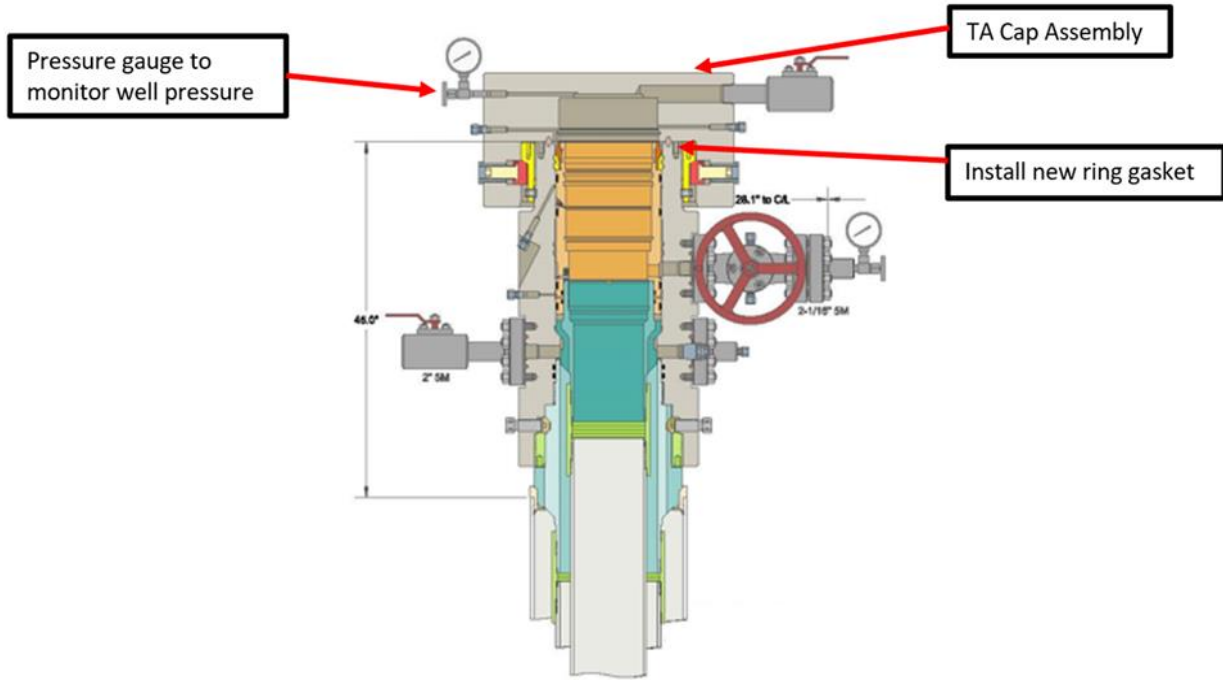


Step 2: Install casing hanger/packoff offline cementing tool.

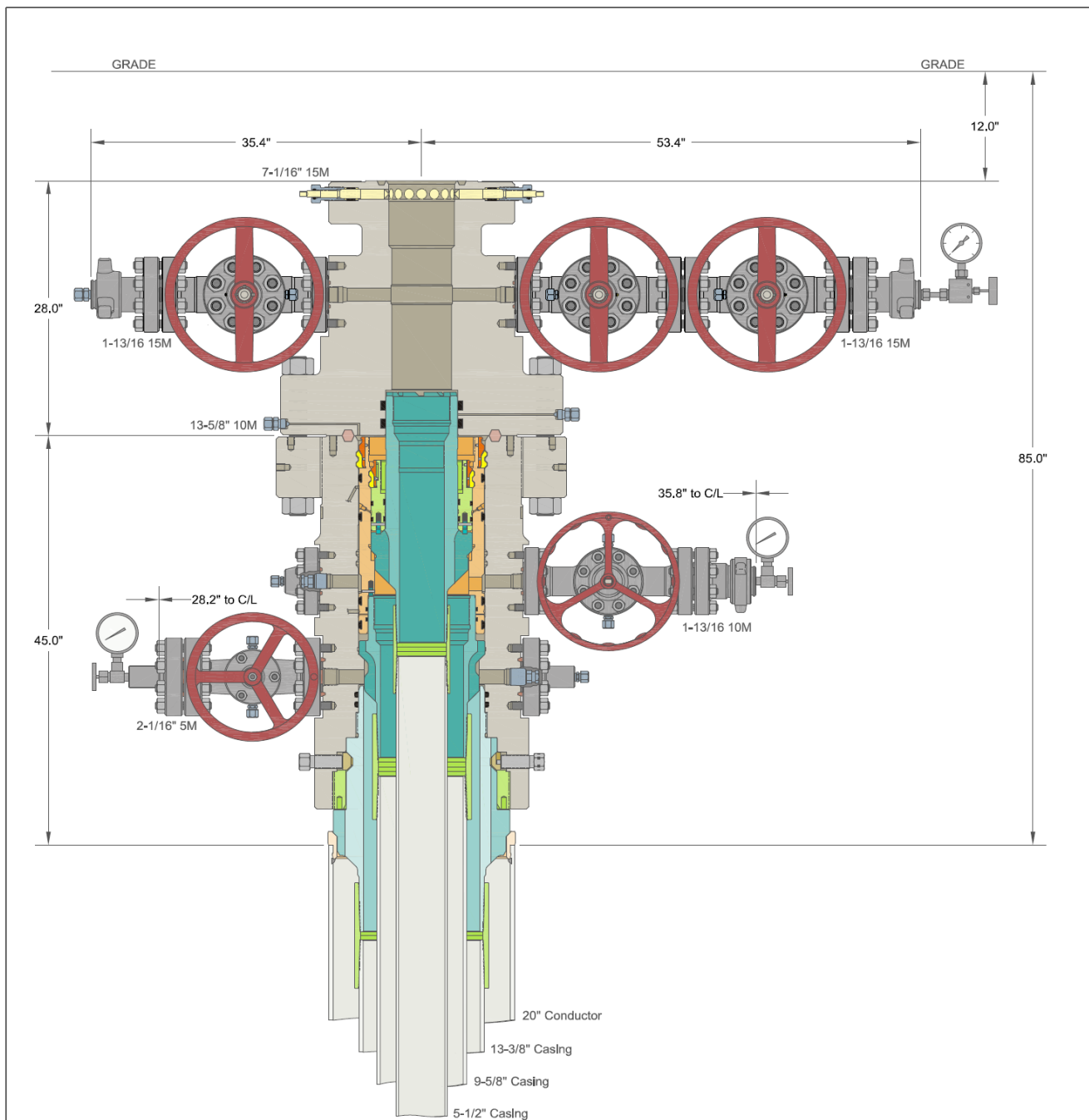


Offline Cementing - Intermediate Casing

Step 3: Install TA cap with pressure gauge for monitoring.



3-String Wellhead Diagram



INFORMATION CONTAINED HEREIN IS THE PROPERTY OF CACTUS WELLHEAD, LLC. REPRODUCTION, DISCLOSURE, OR USE THEREOF IS PERMISSIBLE ONLY AS PROVIDED BY CONTRACT OR AS EXPRESSLY AUTHORIZED BY CACTUS WELLHEAD, LLC.

ALL DIMENSIONS APPROXIMATE

<h2>CACTUS WELLHEAD LLC</h2>	MATADOR PRODUCTION COMPANY NEW MEXICO	
	DRAWN DLE	11OCT21
13-3/8" x 9-5/8" x 5-1/2" MBU-3T Wellhead System With 13-5/8" 10M x 7-1/16" 15M CTH-DBLHPS Tubing Head And 9-5/8" & 5-1/2" Fluted Mandrel Casing Hangers	APPRV	
	DRAWING NO. HBE0000605	

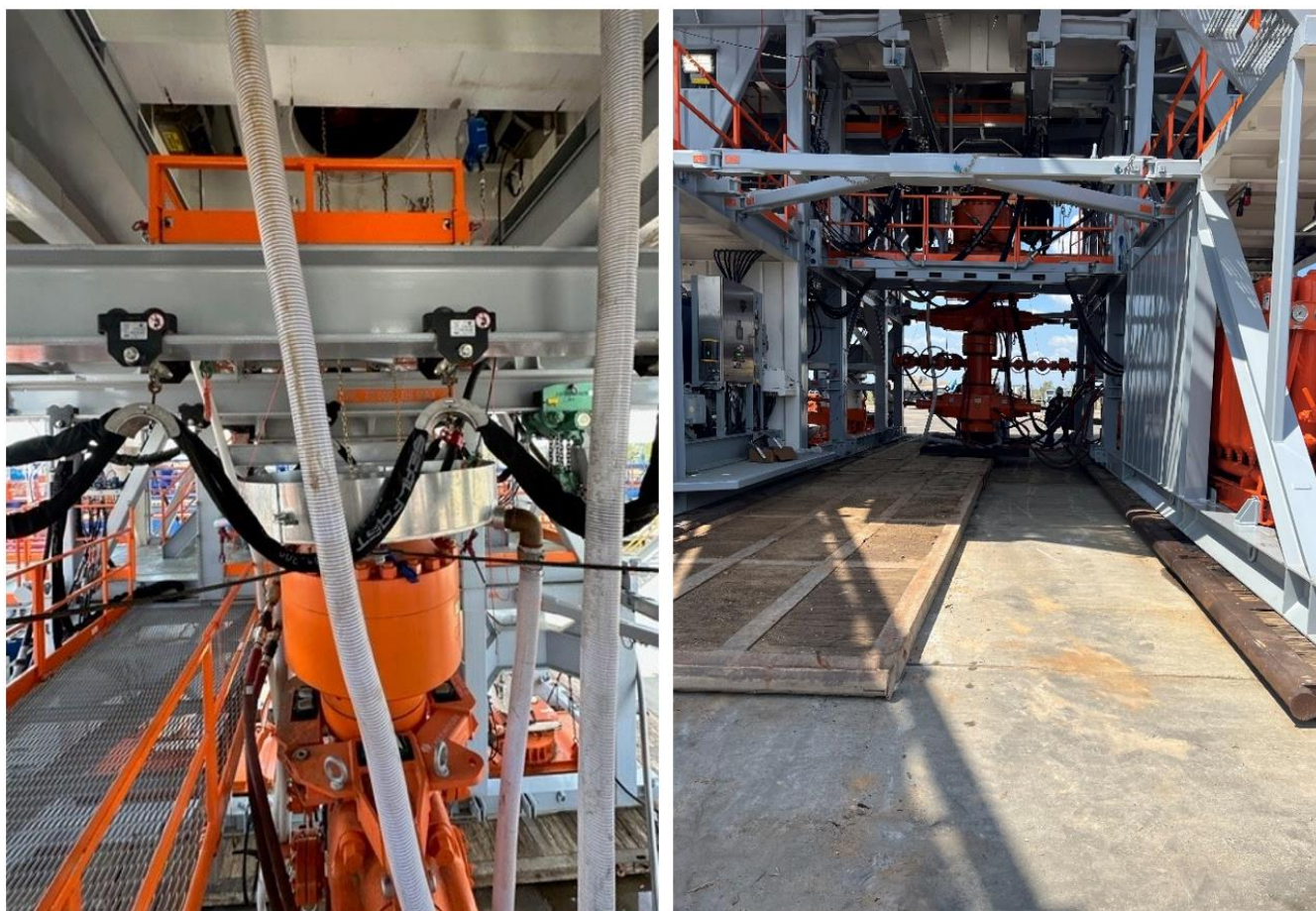
Modified BOP Testing Procedure for Batch Drilling

Matador Production Company requests a variance to allow break testing the Blowout Preventer Equipment (BOPE) as prudent in batch drilling operations. Matador requests a variance from 43 CFR 3172.6(b)(9)(iv)(C) to only test broken pressure seals on the BOPE during batch (skid) drilling operations with multiple wells on the same pad.

Justification

The Bureau of Land Management began issuing and revising Onshore Orders pertaining the exploration and development of oil and gas operations on federal onshore and Indian leases in 1983. These orders were later published in 1988, specifically OOGO No. 2 "Drilling Operations on Federal and Indian Oil and Gas Leases" was published November 18, 1988, and has since been the governing standard for over 30 years. This order was later codified in 43 CFR Subpart 3172 on June 16, 2023 with no substantive changes to the content. During which time, the oil and gas industry has seen significant advancements in technology and processes that facilitate safer and more efficient operations, some of those being improvements in rig and wellhead design. The improvements in rig design allow for the BOP stack to remain connected and intact while skidding and the changes in wellhead design complement this feature by utilizing quick connects from BOP to wellhead. The combination of these technologies allow for the rig to skid to the next well while only breaking two pressure sealing connections.

American Petroleum Institute (API) standards, specifications and recommended practices are considered an industry standard and are commonly referenced in 43 CFR 3172 and routinely used in APD COA's. API Standard 53 "Well Control Equipment Systems for Drilling Wells" recognizes break testing as an acceptable practice during batch drilling operations, specifically in API Std 53 Section 5.3.7.1.



Figures 1 & 2: BOP winch system picture with walking capabilities.

Modified BOP Testing Procedure for Batch Drilling

With these enhancements to operations, Matador Production Company believes that break testing during batch drilling operations meets, and in most cases, exceeds the BLM's intent of 43 CFR 3172.6(b)(9)(iv)(C).

This variance request will be referenced and attached in all APDs seeking approval for break testing and will receive approval prior to implementing this variance.

Procedure

1. Matador Production Company will follow the below guidelines prior to implementing break testing variance:
 - a. A full BOP test will be conducted on the first well on the pad.
 - i. Full BOP test will be conducted every 21 days per API Std 53, which is above 43 CFR 3172.6(b)(9)(iv)(D) 30 day requirement.
 - ii. Annular type preventers tested to 70% RWP per API Std 53, which is above 43 CFR 3172.6(b)(9)(iii) 50% requirement.
 - iii. Full BOP test will be conducted prior to drilling out any production hole sections.
 - b. The deepest first intermediate hole section will be drilled first.
 - i. All subsequent intermediate hole sections will be at same depth or shallower.
 - ii. The calculated maximum anticipated surface pressure (MASP) for intermediate hole section will be below 4500 psi.
 - iii. If any well control events are encountered, a full BOP test will be performed on subsequent well.
2. After performing a full BOP test on first well, the intermediate hole section will be drilled and cased per design, two breaks will be made on the BOP equipment:
 - a. One between the BOP quick connect adapter and wellhead.
 - b. One between the HCR valve and choke line connection.
3. Following that, the BOP will be lifted up from the wellhead using a hydraulic or winch system. The two connections will be broken as seen in **Figure 3**.
4. Once skidding to subsequent well is complete, the BOP will be installed on wellhead and the HCR-to-Choke line break will be reconnected.
5. The test plug will then be installed into wellhead.
6. A shell test will then be performed, testing both connections broken as seen in **Figure 4**.
 - a. The test will consist of a 250 psi low test and a high test equal to the BOP rating value submitted in the APD and as approved in COAs.
 - a. Break test procedure is the same for both 5M and 10M systems, only test pressures change.
7. Following a successful shell test, a function test of the lower pipe rams, blind rams, and annular preventer will be performed.
8. For multi-well pads, the same procedure will be followed for subsequent wells only if the next intermediate hole section can be drilled and cased with the 21-day BOP test window. If unable to be drilled in that time, a full BOP test will be performed.

Modified BOP Testing Procedure for Batch Drilling

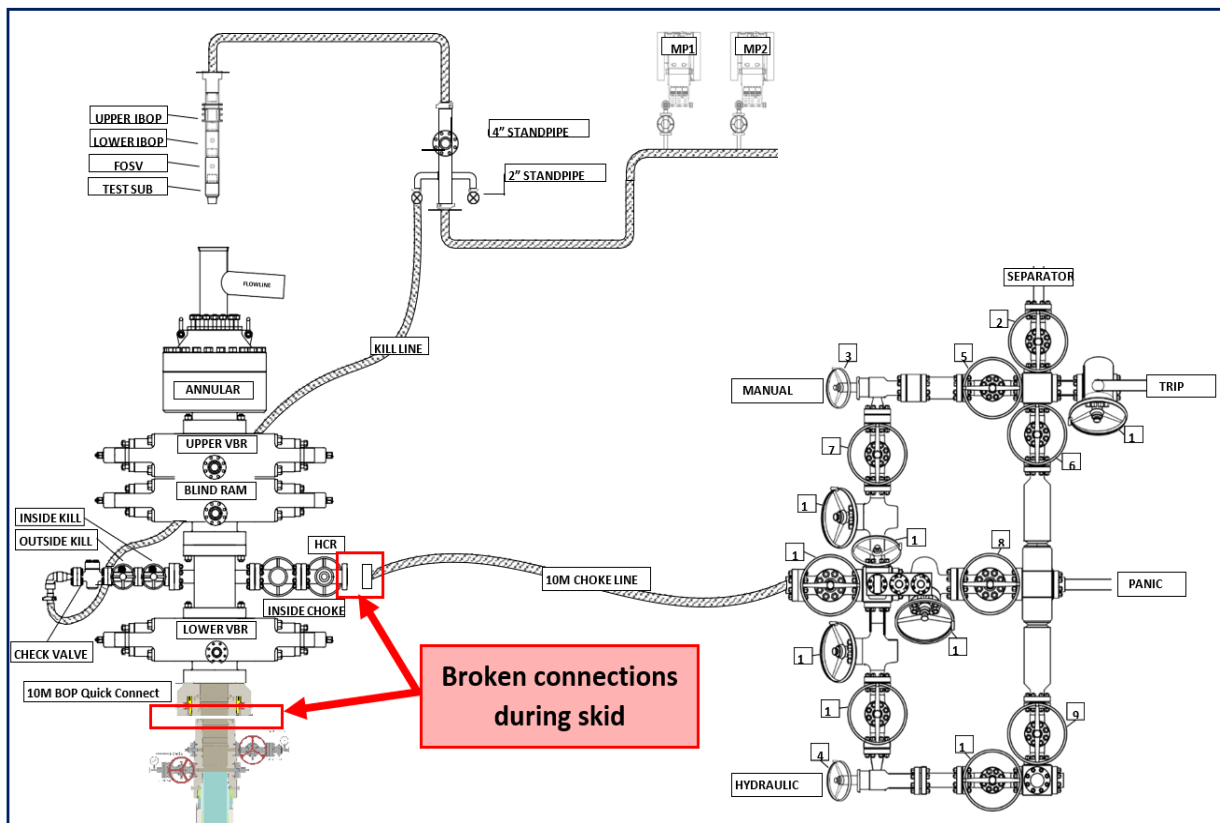


Figure 3: Shows which connections are broken during the skidding process

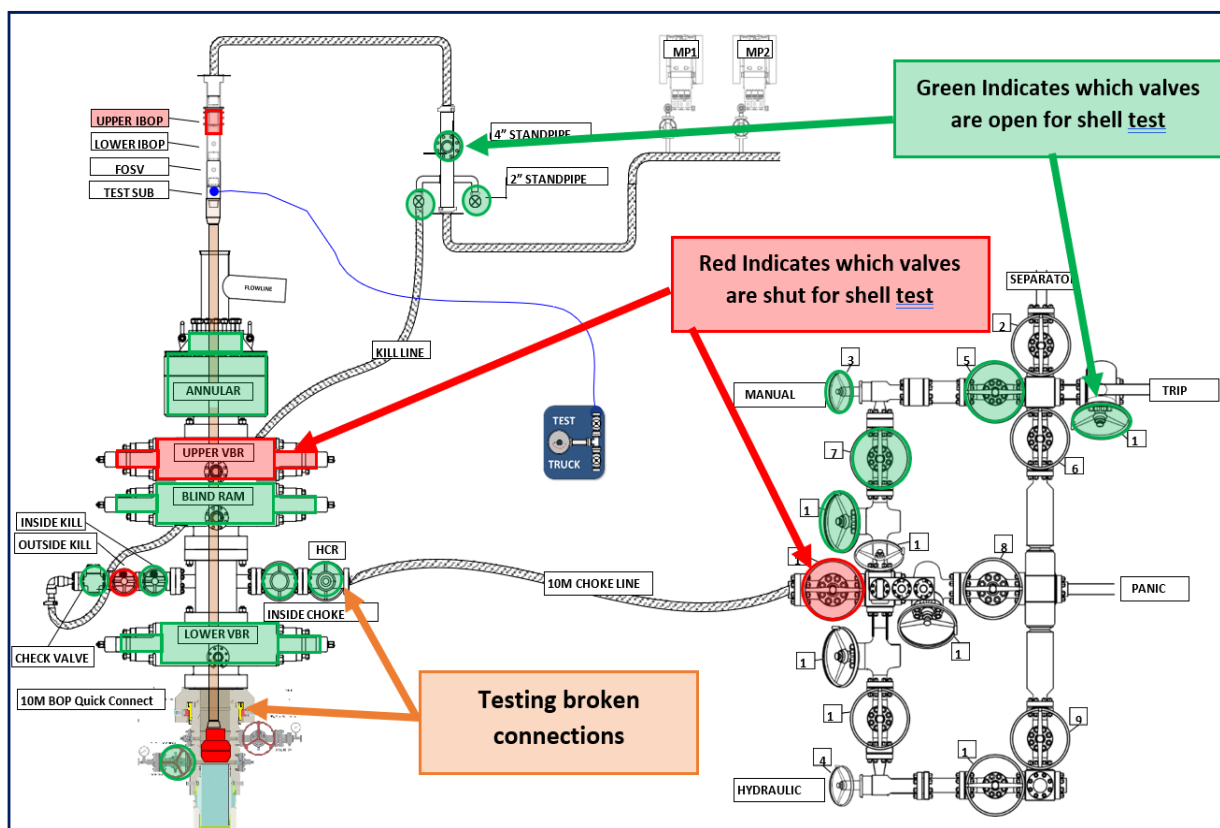


Figure 4: Shows which valves are shut/open for the shell test, testing both broken connections

Sante Fe Main Office
Phone: (505) 476-3441

General Information
Phone: (505) 629-6116

Online Phone Directory
<https://www.emnrd.nm.gov/ocd/contact-us>

State of New Mexico
Energy, Minerals and Natural Resources
Oil Conservation Division
1220 S. St Francis Dr.
Santa Fe, NM 87505

ACKNOWLEDGMENTS

Action 543931

ACKNOWLEDGMENTS

Operator: MATADOR PRODUCTION COMPANY One Lincoln Centre Dallas, TX 75240	OGRID: 228937
	Action Number: 543931
	Action Type: [C-101] BLM - Federal/Indian Land Lease (Form 3160-3)

ACKNOWLEDGMENTS

<input checked="" type="checkbox"/>	I hereby certify that no additives containing PFAS chemicals will be added to the completion or recompletion of this well.
-------------------------------------	--

Sante Fe Main Office
Phone: (505) 476-3441

General Information
Phone: (505) 629-6116

Online Phone Directory
<https://www.emnrd.nm.gov/ocd/contact-us>

State of New Mexico
Energy, Minerals and Natural Resources
Oil Conservation Division
1220 S. St Francis Dr.
Santa Fe, NM 87505

CONDITIONS

Action 543931

CONDITIONS

Operator: MATADOR PRODUCTION COMPANY One Lincoln Centre Dallas, TX 75240	OGRID: 228937
	Action Number: 543931
	Action Type: [C-101] BLM - Federal/Indian Land Lease (Form 3160-3)

CONDITIONS

Created By	Condition	Condition Date
nfitzgerald	Cement is required to circulate on both surface and intermediate1 strings of casing.	1/16/2026
jeffrey.harrison	If the method of isolation was not by circulation, a CBL must be performed; if strata isolation is not achieved, then remediation will be required before further operations.	3/18/2026
jeffrey.harrison	This well is within the Capitan Reef aquifer zone. The first intermediate casing string shall be set and cemented back to surface immediately below the Capitan Reef.	3/19/2026
jeffrey.harrison	File As Drilled C-102 and a directional Survey with C-104 completion packet.	3/19/2026
jeffrey.harrison	Notify the OCD 24 hours prior to casing & cement.	3/19/2026
jeffrey.harrison	Once the well is spud, to prevent ground water contamination through whole or partial conduits from the surface, the operator shall drill without interruption through the fresh water zone or zones and shall immediately set in cement the water protection string.	3/19/2026
jeffrey.harrison	Oil base muds are not to be used until fresh water zones are cased and cemented providing isolation from the oil or diesel. This includes synthetic oils. Oil based mud, drilling fluids and solids must be contained in a steel closed loop system.	3/19/2026