

DOCKET: Examiners Hearing - Thursday, September 15, 1994

Case #11083 - Project Area: NE/4NE/4,S/2NE/4&SE/4, Sec. 36, T7S, R31E

EXHIBIT #1 A Map
EXHIBIT #2 B Offset Operators

Tom State "36" #1

EXHIBIT #3 C Horizontal Drilling Procedure
EXHIBIT #4 D Schematic

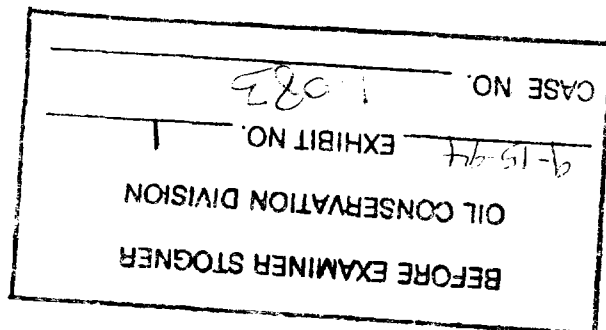
Tom State "36" #4

EXHIBIT #5 E Horizontal Drilling Procedure
EXHIBIT #6 F Schematic

Tom State "36" #5

EXHIBIT #7 G Horizontal Drilling Procedure
EXHIBIT #8 H Schematic

*Exhibits 1 through 1-H
Complete Set*



150 21	18	19	20	21	22	23	24	25	26	27	28	29	30	31	32	33	34	35	36	37	38	39	40	41	42	43	44	45	46	47	48	49	50	51	52	53	54	55	56	57	58	59	60	61	62	63	64	65	66	67	68	69	70	71	72	73	74	75	76	77	78	79	80	81	82	83	84	85	86	87	88	89	90	91	92	93	94	95	96	97	98	99	100
--------	----	----	----	----	----	----	----	----	----	----	----	----	----	----	----	----	----	----	----	----	----	----	----	----	----	----	----	----	----	----	----	----	----	----	----	----	----	----	----	----	----	----	----	----	----	----	----	----	----	----	----	----	----	----	----	----	----	----	----	----	----	----	----	----	----	----	----	----	----	----	----	----	----	----	----	----	----	----	----	----	----	----	-----

150 21	18	19	20	21	22	23	24	25	26	27	28	29	30	31	32	33	34	35	36	37	38	39	40	41	42	43	44	45	46	47	48	49	50	51	52	53	54	55	56	57	58	59	60	61	62	63	64	65	66	67	68	69	70	71	72	73	74	75	76	77	78	79	80	81	82	83	84	85	86	87	88	89	90	91	92	93	94	95	96	97	98	99	100
--------	----	----	----	----	----	----	----	----	----	----	----	----	----	----	----	----	----	----	----	----	----	----	----	----	----	----	----	----	----	----	----	----	----	----	----	----	----	----	----	----	----	----	----	----	----	----	----	----	----	----	----	----	----	----	----	----	----	----	----	----	----	----	----	----	----	----	----	----	----	----	----	----	----	----	----	----	----	----	----	----	----	----	-----

EXHIBIT #1 A

Case #11083

Tom State "36" #1, 4, 5

NE/4NE/4, S/2NE/4&SE/4,
 Sec. 36, T7S, R31E
 Tomahawk San Andres Field
 Chaves County, New Mexico

150 21	18	19	20	21	22	23	24	25	26	27	28	29	30	31	32	33	34	35	36	37	38	39	40	41	42	43	44	45	46	47	48	49	50	51	52	53	54	55	56	57	58	59	60	61	62	63	64	65	66	67	68	69	70	71	72	73	74	75	76	77	78	79	80	81	82	83	84	85	86	87	88	89	90	91	92	93	94	95	96	97	98	99	100
--------	----	----	----	----	----	----	----	----	----	----	----	----	----	----	----	----	----	----	----	----	----	----	----	----	----	----	----	----	----	----	----	----	----	----	----	----	----	----	----	----	----	----	----	----	----	----	----	----	----	----	----	----	----	----	----	----	----	----	----	----	----	----	----	----	----	----	----	----	----	----	----	----	----	----	----	----	----	----	----	----	----	----	-----

Examiners Hearing - Thursday, September 15, 1994

EXHIBIT #2 B

Case #11083

TOM STATE "36" #1, #4 & #5
NE/4NE/4,S/2NE/4&SE/4, Section 36, T7S, R31E

Offset Operators:

Yates Petroleum Corporation
105 South 4th
Artesia, NM 88210

Murphy Operating Corporation
P.O. Box 2648
Roswell, NM 88201

Strata Production
P.O. Box 1030
Roswell, NM 88201

Case #11083

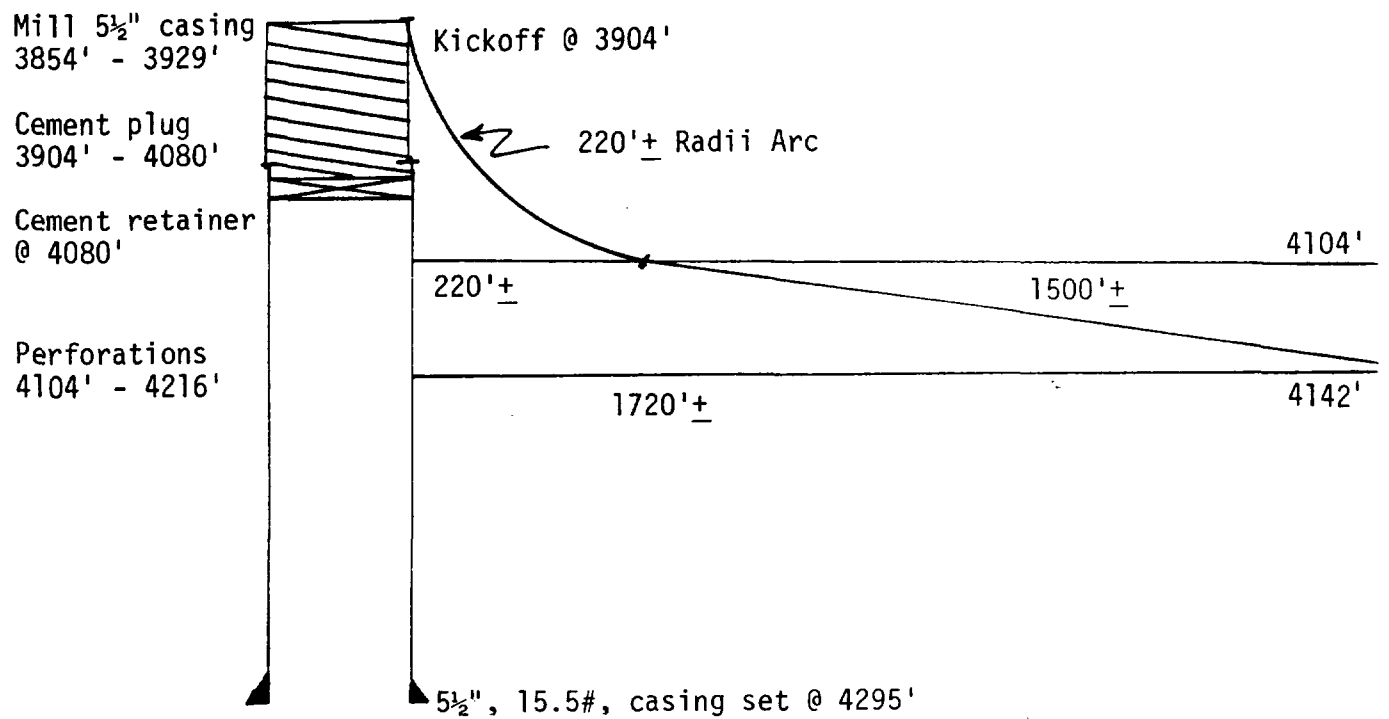
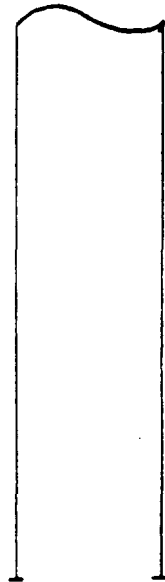
TOM STATE "36" #1
Unit A, G & H, NE/4NE/4,S/2NE/4
Section 36, T7S, R31E
Tomahawk San Andres Field
Chaves County, New Mexico

HORIZONTAL DRILLING PROCEDURE

1. Set cement retainer @ 4080'. Cement squeeze perforations 4104' to 4216'. Pressure test casing to 1000 psi.
2. Mill section in 5½" casing from approximately 3854' to 3929'. Set cement plug. Drill out cement to approximately 3904'.
3. Run directional survey.
4. Kickoff cement plug at approximately 3904'.
5. Drill 220+ feet radii curve to an inclination of approximately 85 to 90 degrees. Conduct surveys every 35 feet of the arc.
6. Drill laterally approximately 1500+ feet in a direction of our choice, thru a vertical depth of approximately 4104' to 4142'.
7. Conduct surveys every 70 feet in the lateral.
8. A distance of 100 feet will be maintained by the horizontal hole from the lease line.

Case #11083

TOM STATE "36" #1



Docket: Examiners Hearing - Thursday, September 15, 1994

EXHIBIT #5

Case #11083

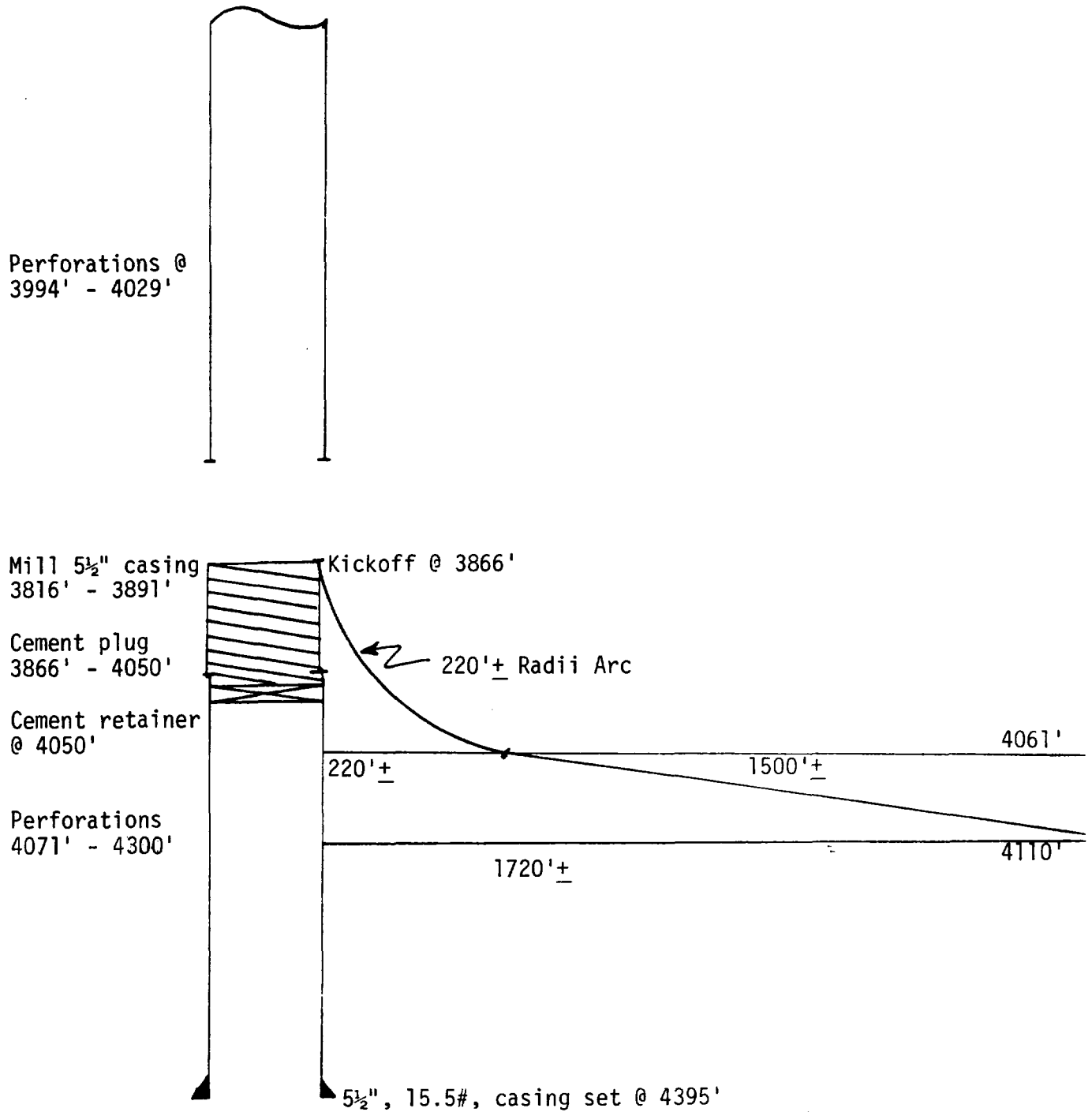
TOM STATE "36" #4
Unit J & I, N/2SE/4
Section 36, T7S, R31E
Tomahawk San Andres Field
Chaves County, New Mexico

HORIZONTAL DRILLING PROCEDURE

1. Set cement retainer @ 4050'. Cement squeeze perforations 4071' to 4300'.
2. Set packer @ 3744'. Cement squeeze perforations 3994' to 4029'.
3. Drill out cement to 4050'. Pressure test casing to 1000 psi.
4. Mill section in 5½" casing from approximately 3816' to 3891'. Set cement plug. Drill out cement to approximately 3866'.
5. Run directional survey.
6. Kickoff cement plug at approximately 3866'.
7. Drill 220'+ radii curve to an inclination of approximately 85 to 90 degrees. Conduct surveys every 35 feet of the arc.
8. Drill laterally approximately 1500'+ in a direction of our choice, thru a vertical depth of approximately 4061' to 4110'.
9. Conduct surveys every 70 feet in the lateral.
10. A distance of 100 feet will be maintained by the horizontal hole from the lease line.

Case #11083

TOM STATE "36" #4



Case #11083

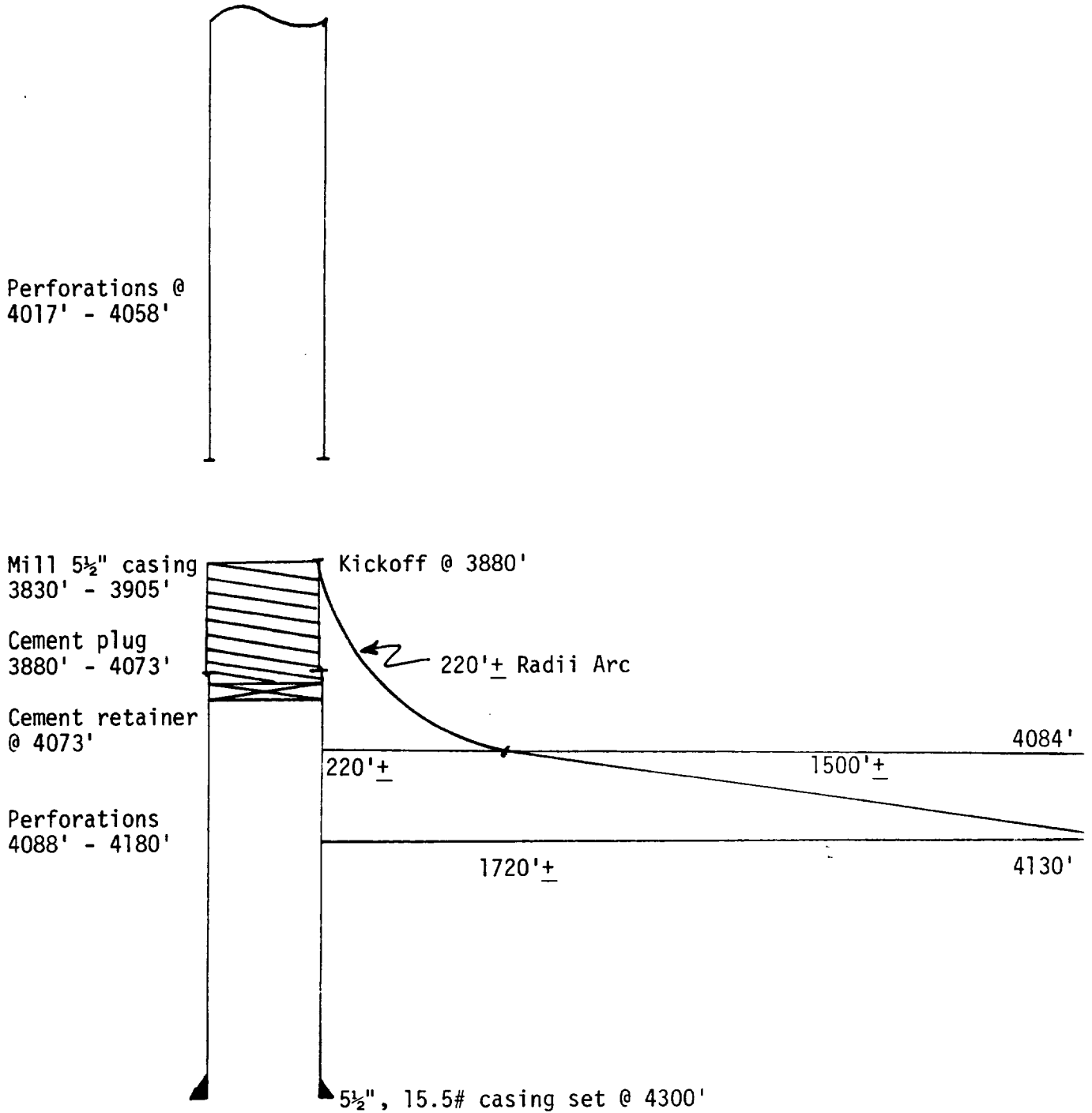
TOM STATE "36" #5
Unit P&O, S/2SE/4
Section 36, T7S, R31E
Tomahawk San Andres Field
Chaves County, New Mexico

HORIZONTAL DRILLING PROCEDURE

1. Set cement retainer @ 4073'. Cement squeeze perforations 4088' to 4180'.
2. Set packer @ 3760'. Cement squeeze perforations 4017' to 4058'.
3. Drill out cement to 4073'. Pressure test casing to 1000 psi.
4. Mill section in 5½" casing from approximately 3830' to 3905'. Set cement plug. Drill out cement to approximately 3880'.
5. Run directional survey.
6. Kickoff cement plug at approximately 3880'.
7. Drill 220+ feet radii curve to an inclination of approximately 85 to 90 degrees. Conduct surveys every 35 feet of the arc.
8. Drill laterally approximately 1500+ feet in a direction of our choice, thru a vertical depth of approximately 4084' to 4130'.
9. Conduct surveys every 70 feet in the lateral.
10. A distance of 100 feet will be maintained by the horizontal hole from the lease line.

Case #11083

TOM STATE "36" #5



BEFORE EXAMINER STOGNER

OIL CONSERVATION DIVISION

9/15/94 EXHIBIT NO. 2

CASE NO. 1107, 11083 & 11084

IRN ADDRESS completed on the reverse side?

SENDER:
• Complete items 1 and/or 2 for additional services.
• Complete items 3, and 4a & b.
• Print your name and address on the reverse of this form so that we can return this card to you.
• Attach this form to the front of the mailpiece, or on the back if space does not permit.
• Write "Return Receipt Requested" on the mailpiece below the article number.
• The Return Receipt will show to whom the article was delivered and the date delivered.

3. Article Addressed to:
Yates Petroleum
105 S. 4th
Artesia, NM 88201

6. Signature (Addressee)

I also wish to receive the following services (for an extra fee):
1. Addressee's Address
2. Restricted Delivery
Consult postmaster for fee.

4a. Article Number
2 704 455 894
4b. Service Type
 Registered Insured
 Certified COD
 Express Mail Return Receipt for Merchandise

7. Date of Delivery
AUG 17 1994

8. Addressee's Address (Only if requested and fee is paid)

Thank you for using Return Receipt Service.

SENDER:
• Complete items 1 and/or 2 for additional services.
• Complete items 3, and 4a & b.
• Print your name and address on the reverse of this form so that we can return this card to you.
• Attach this form to the front of the mailpiece, or on the back if space does not permit.
• Write "Return Receipt Requested" on the mailpiece below the article number.
• The Return Receipt will show to whom the article was delivered and the date delivered.

3. Article Addressed to:
Western Resources
P.O. 993
Midland, TX 79702

4a. Article Number
2 704 455 897
4b. Service Type
 Registered Insured
 Certified COD
 Express Mail Return Receipt for Merchandise
7. Date of Delivery
8-22-94
8. Addressee's Address (Only if requested and fee is paid)

5. Signature (Addressee)

6. Signature (Agent)
D. Graham Lewis

PS Form 3811, December 1991 *U.S. GPO: 1990-362-714 DOMESTIC RETURN RECEIPT

Is your RETURN ADDRESS completed on the reverse side? Thank you for using Return Receipt Service.

Is your RETURN ADDRESS completed on the reverse side? Thank you for using Return Receipt Service.

SENDER:
• Complete items 1 and/or 2 for additional services.
• Complete items 3, and 4a & b.
• Print your name and address on the reverse of this form so that we can return this card to you.
• Attach this form to the front of the mailpiece, or on the back if space does not permit.
• Write "Return Receipt Requested" on the mailpiece below the article number.
• The Return Receipt will show to whom the article was delivered and the date delivered.

3. Article Addressed to:
Murphy Operating
P.O. 2648
Roswell, NM 88201

4a. Article Number
2 704 455 895
4b. Service Type
 Registered Insured
 Certified COD
 Express Mail Return Receipt for Merchandise
7. Date of Delivery
8. Addressee's Address (Only if requested and fee is paid)

5. Signature (Addressee)

6. Signature (Agent)
C. J. Talbot

PS Form 3811, December 1991 *U.S. GPO: 1990-362-714 DOMESTIC RETURN RECEIPT

Is your RETURN ADDRESS completed on the reverse side? Thank you for using Return Receipt Service.

Is your RETURN ADDRESS completed on the reverse side? Thank you for using Return Receipt Service.

SENDER:
• Complete items 1 and/or 2 for additional services.
• Complete items 3, and 4a & b.
• Print your name and address on the reverse of this form so that we can return this card to you.
• Attach this form to the front of the mailpiece, or on the back if space does not permit.
• Write "Return Receipt Requested" on the mailpiece below the article number.
• The Return Receipt will show to whom the article was delivered and the date delivered.

3. Article Addressed to:
Strata Production
P.O. Box 1030
Roswell, NM 88201

4a. Article Number
2 704 455 896
4b. Service Type
 Registered Insured
 Certified COD
 Express Mail Return Receipt for Merchandise
7. Date of Delivery
8/23/94
8. Addressee's Address (Only if requested and fee is paid)

5. Signature (Addressee)

6. Signature (Agent)
C. Anderson

PS Form 3811, December 1991 *U.S. GPO: 1990-362-714 DOMESTIC RETURN RECEIPT

Is your RETURN ADDRESS completed on the reverse side? Thank you for using Return Receipt Service.

Is your RETURN ADDRESS completed on the reverse side? Thank you for using Return Receipt Service.

SENDER:
• Complete items 1 and/or 2 for additional services.
• Complete items 3, and 4a & b.
• Print your name and address on the reverse of this form so that we can return this card to you.
• Attach this form to the front of the mailpiece, or on the back if space does not permit.
• Write "Return Receipt Requested" on the mailpiece below the article number.
• The Return Receipt will show to whom the article was delivered and the date delivered.

3. Article Addressed to:
Yates Energy
P.O. 2323
Roswell, NM 88201

4a. Article Number
2 704 455 898
4b. Service Type
 Registered Insured
 Certified COD
 Express Mail Return Receipt for Merchandise
7. Date of Delivery
8-18-94
8. Addressee's Address (Only if requested and fee is paid)

5. Signature (Addressee)

6. Signature (Agent)
C. Anderson

PS Form 3811, December 1991 *U.S. GPO: 1990-362-714 DOMESTIC RETURN RECEIPT

Is your RETURN ADDRESS completed on the reverse side? Thank you for using Return Receipt Service.