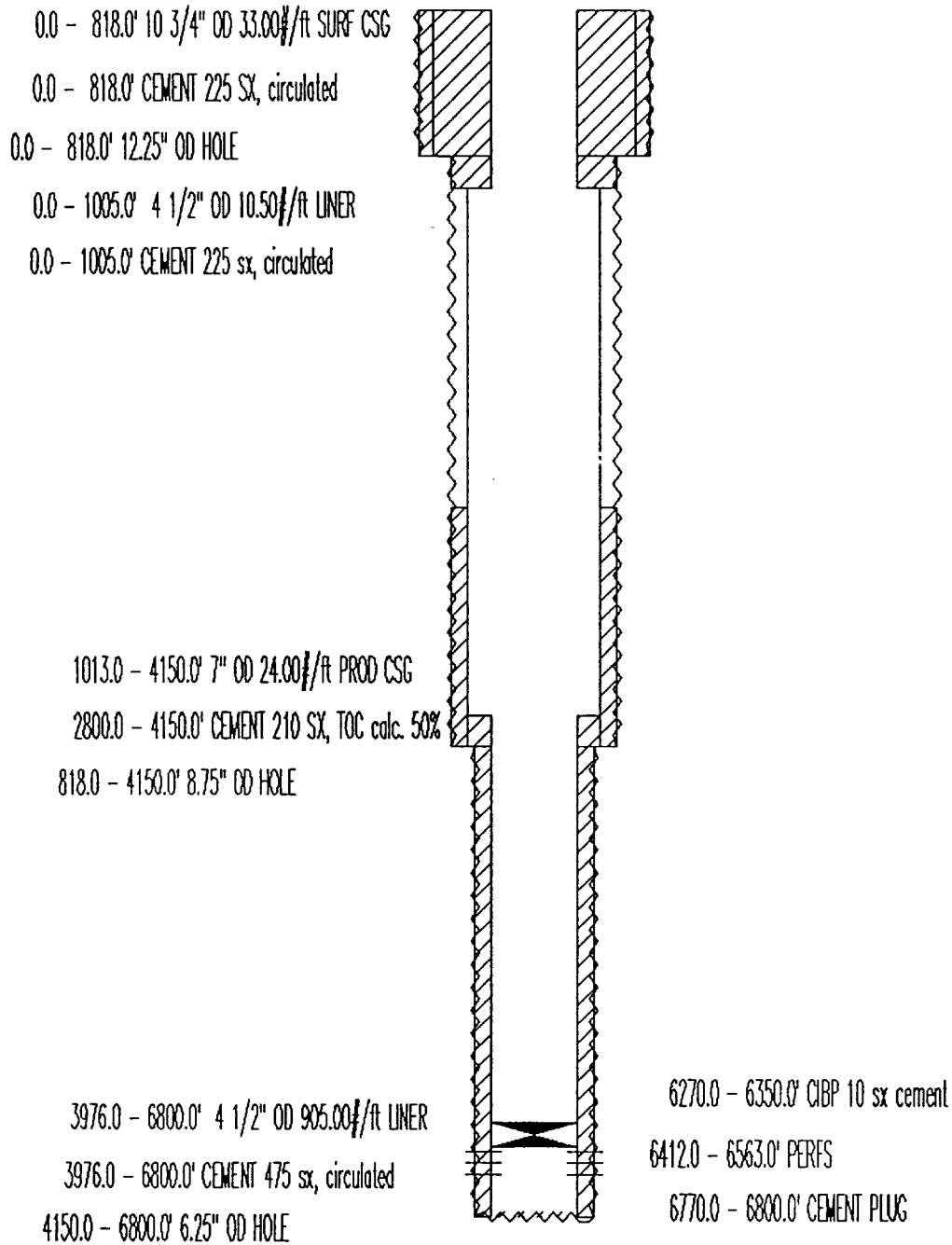


Updated wells

TA- Salado Monitor Well 7/78

TEXACO E&P INC. Operator
Mobil BRIDGES STATE No. 11
API#: 30 - 025 - 02100



1980 FNL & 1980 FWL
SEC 25, T-17S, R-34E
ELEVATION: 4013' GR
COMPLETION DATE: 7-28-38
COMPLETION INTERVAL: 6412' - 6563' (Blinbry)
Texaco assumed operations under NMOC Order R-5530

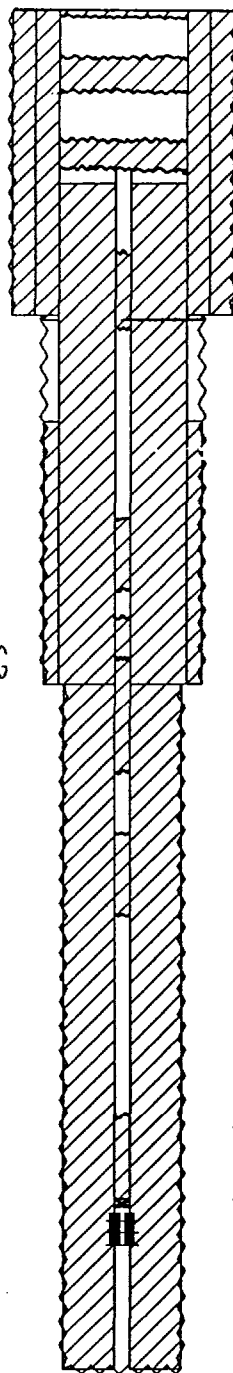
P&A: 4-07-95

TEXACO E&P INC.
NM "L" State No. 7
API# 30 025 20937

0 - 1510' 11 3/4" OD 42.00#/ft SURF CSG
0 - 1510' CEMENT 1000 sx
0 - 1510' 15" OD HOLE

0 - 3350' 8 5/8" OD 24.00#/ft INT CSG
2040 - 3350' CEMENT 350 sx
1510 - 3350' 10.625" OD HOLE

790 - 6750' 2.875" OD 6.50#/ft TBG
860 - 6750' CEMENT 1400 sx
3350 - 6750' 7.875" OD HOLE



0 - 30' CEMENT PLUG 10 sx
234 - 400' CEMENT PLUG 45 sx
656 - 790' CEMENT PLUG 40 sx
1194 - 1600' CEMENT PLUG 10 sx
1535 - 1535' SQUEEZE PERFS
0 - 1535' CEMENT 550 sx SQZD

2494 - 2900' CEMENT PLUG 10 sx
3006 - 3800' CEMENT PLUG 20 sx
4094 - 4500' CEMENT PLUG 10 sx

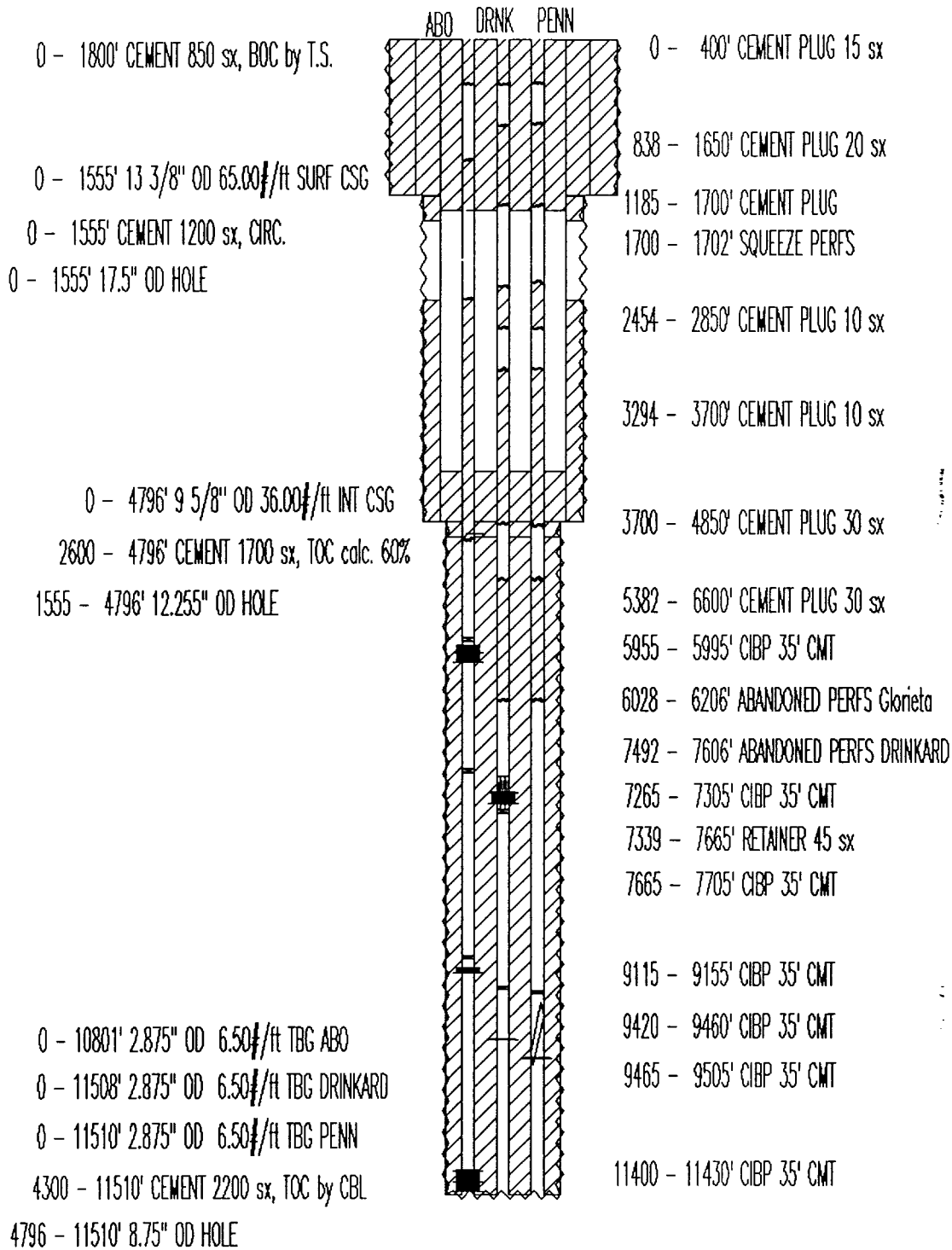
5494 - 5900' CEMENT PLUG 10 sx
5900 - 5905' CIBP
5978 - 6134' ABANDONED PERFS

760 FNL & 560 FEL
SEC 1, T1N 18 S, RANGE 34 E
ELEVATION: 3991 DF
COMPLETION DATE: 03-03-64

COMPLETION INTERVAL: 5978 - 6134 (GLOR)

P&A: 6-23-95

TEXACO E&P INC.
NM "0" STATE NCT-1 No. 18
API# 30 025 20274

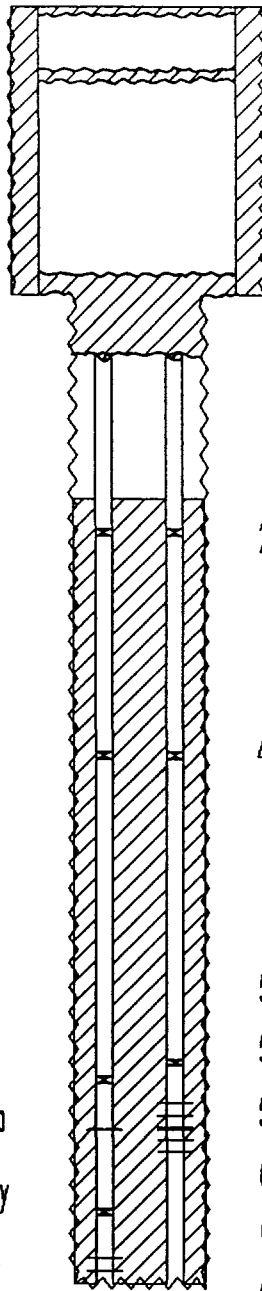


1880 FNL & 560 FEL
 SEC 36, TWN 17 S, RANGE 34 E
 ELEVATION: 4005 DF
 COMPLETION DATE: 10-09-63
 COMPLETION INTERVALS: 7492 - 7606 (DRNK)

P&A: 12-19-91

TEXACO E&P INC.
NM "O" STATE NCT-1 No. 19
API# 30 025 20203

0 - 1549' 11 3/4" OD 42.00#/ft SURF CSG
0 - 1549' CEMENT 1100 sx, CIRC.
0 - 1549' 15" OD HOLE



0 - 50' CEMENT PLUG 25 sx
362 - 409' CEMENT PLUG 25 sx

1454 - 1860' CEMENT PLUG 500 sx total

2800 - 2840' CIBP 35' cement

4000 - 4040' CIBP 35' cement

5644 - 5684' CIBP 35' cement

5735 - 5775' CIBP 35' cement

5834 - 6146' PERFS Glorieta

6020 - 6025' ABANDONED PERFS Commingle

6446 - 6486' CIBP 35' cement

6666 - 6785' PERFS Blinebry

1860 - 6845' 2.875" OD 6.40#/ft TBG Glorieta

1860 - 6849' 2.875" OD 6.40#/ft TBG Blinebry

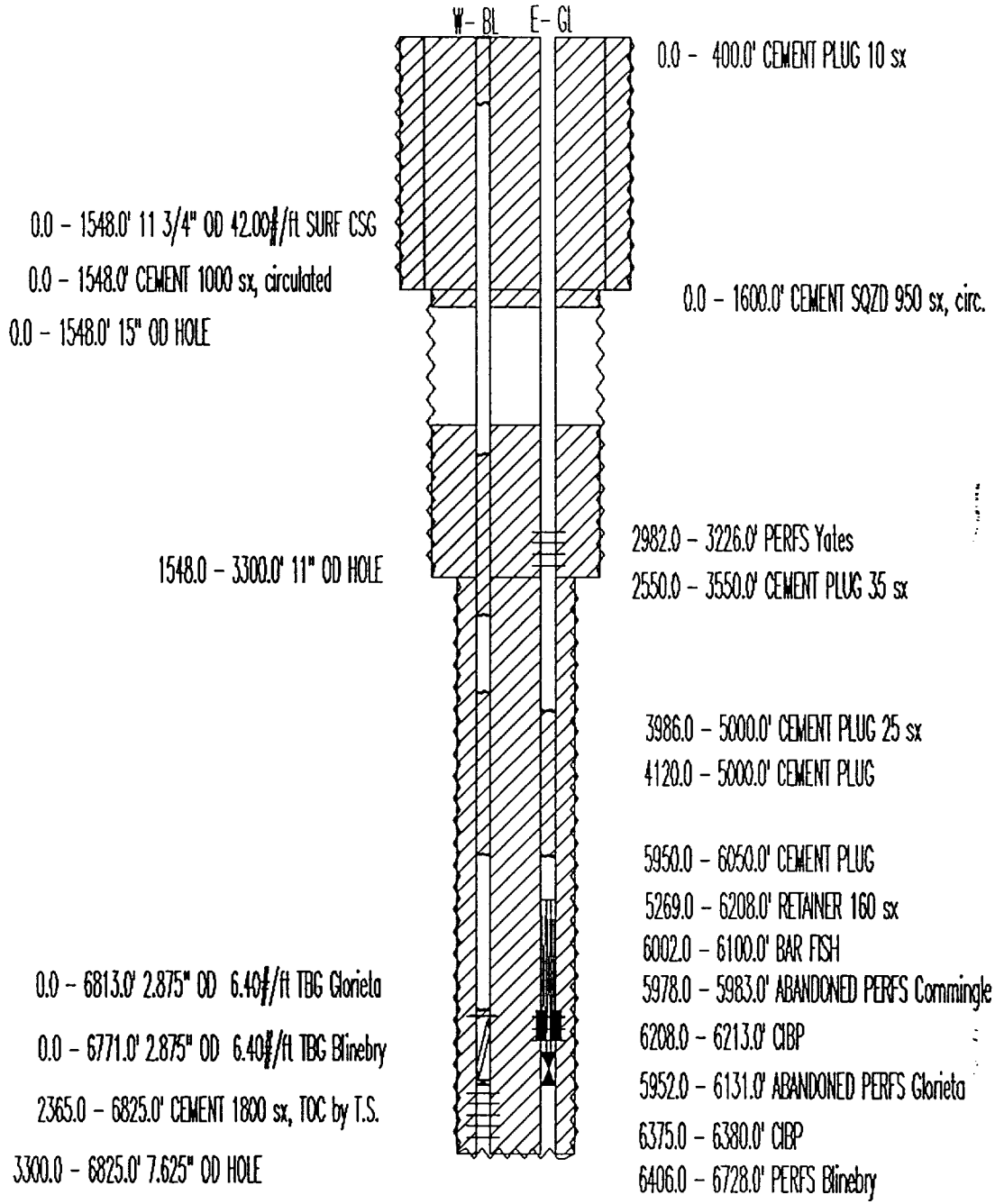
2640 - 6850' CEMENT 1400 sx, TOC by CBL

1549 - 6850' 7.875" OD HOLE

1980 FNL & 2179 FWL
SEC 36, TWN 17 S, RANGE 34 E
ELEVATION: 4002 GL
COMPLETION DATE: 9-30-63
COMPLETION INTERVALS: 5834 - 6146 (Glorieta)
6666 - 6785 (Blinebry)

West String P&A: 2-24-96

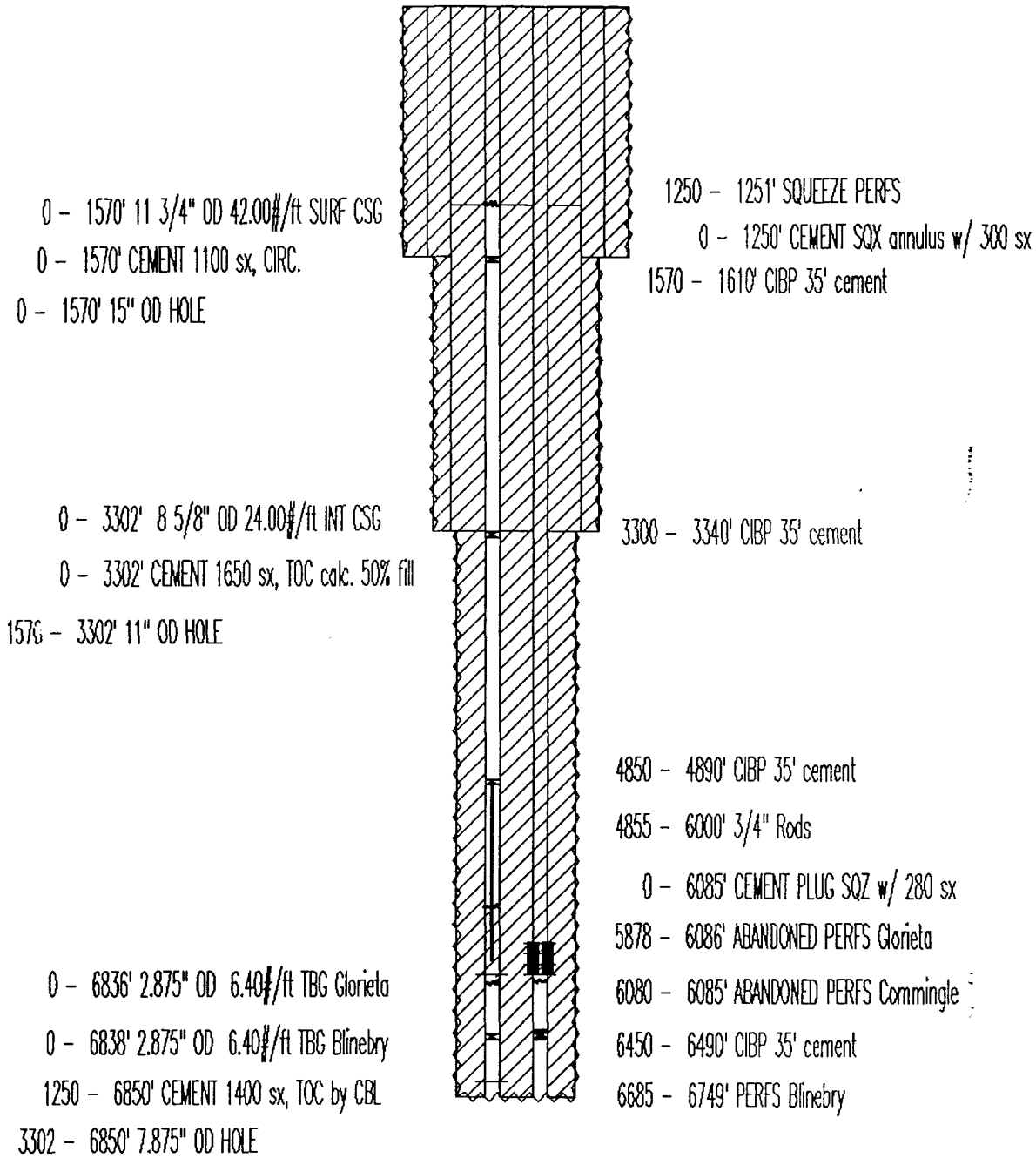
TEXACO E&P INC.
NM "O" State NCT-1 No. 20
API# 30-025-20111



1980 FNL & 467 FWL
 SEC 36, T11N 17S, RANGE 34E
 ELEVATION: 4005' GR
 COMPLETION DATE: 8-26-63
 COMPLETION INTERVAL: 2982' - 3226' (Yates)
 5952' - 6131' (Glorieta)

P&A: 10-21-92

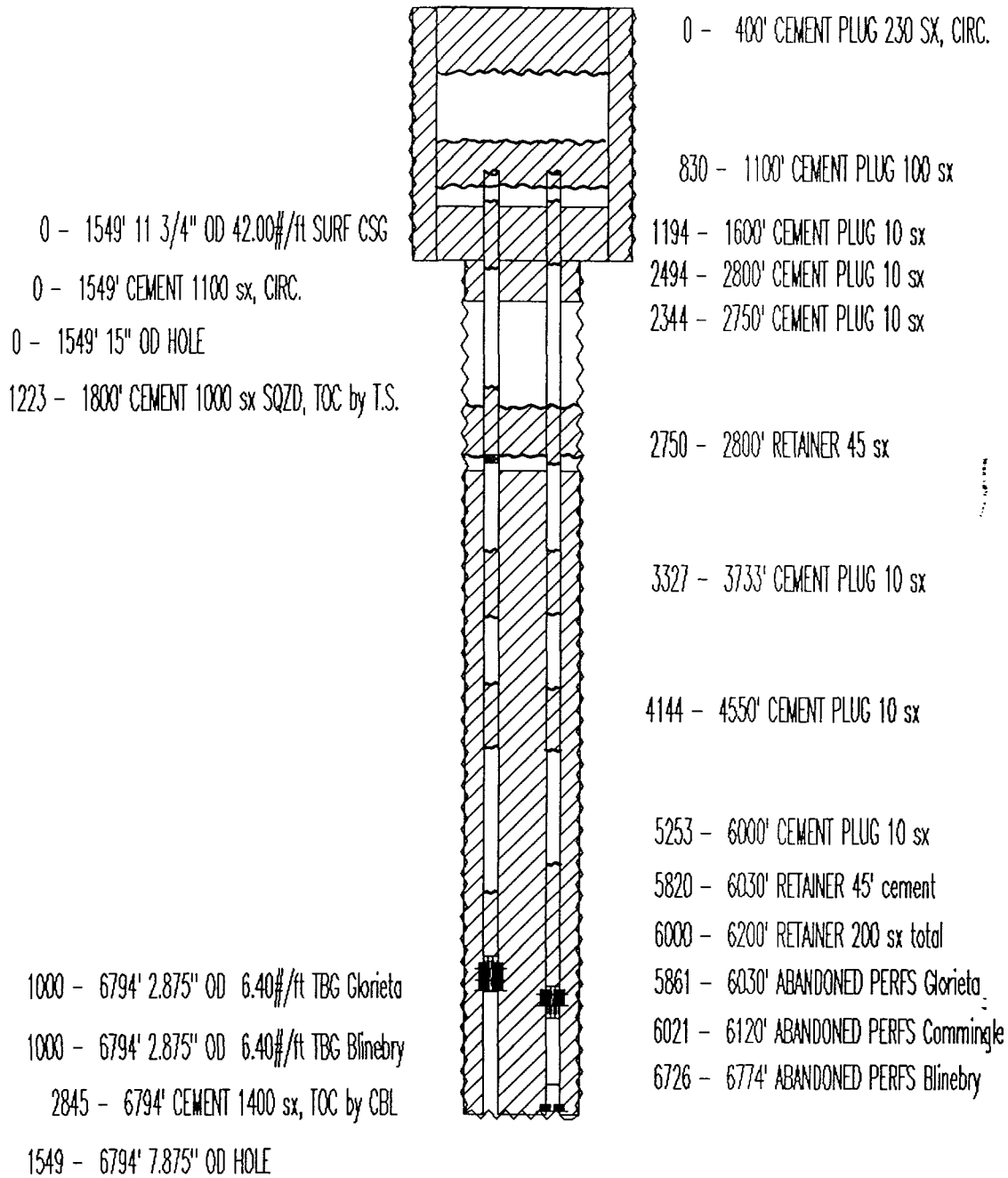
TEXACO E&P INC.
NM "O" STATE NCT-1 No. 21
API# 30 025 20197



1900 FNL & 1900 FEL
 SEC 36, TWN 17 S, RANGE 34 E
 ELEVATION: 4007 DF
 COMPLETION DATE: 10-26-63
 COMPLETION INTERVALS: 5878 - 6086 (Glorieta)
 6685 - 6749 (Blinebry)

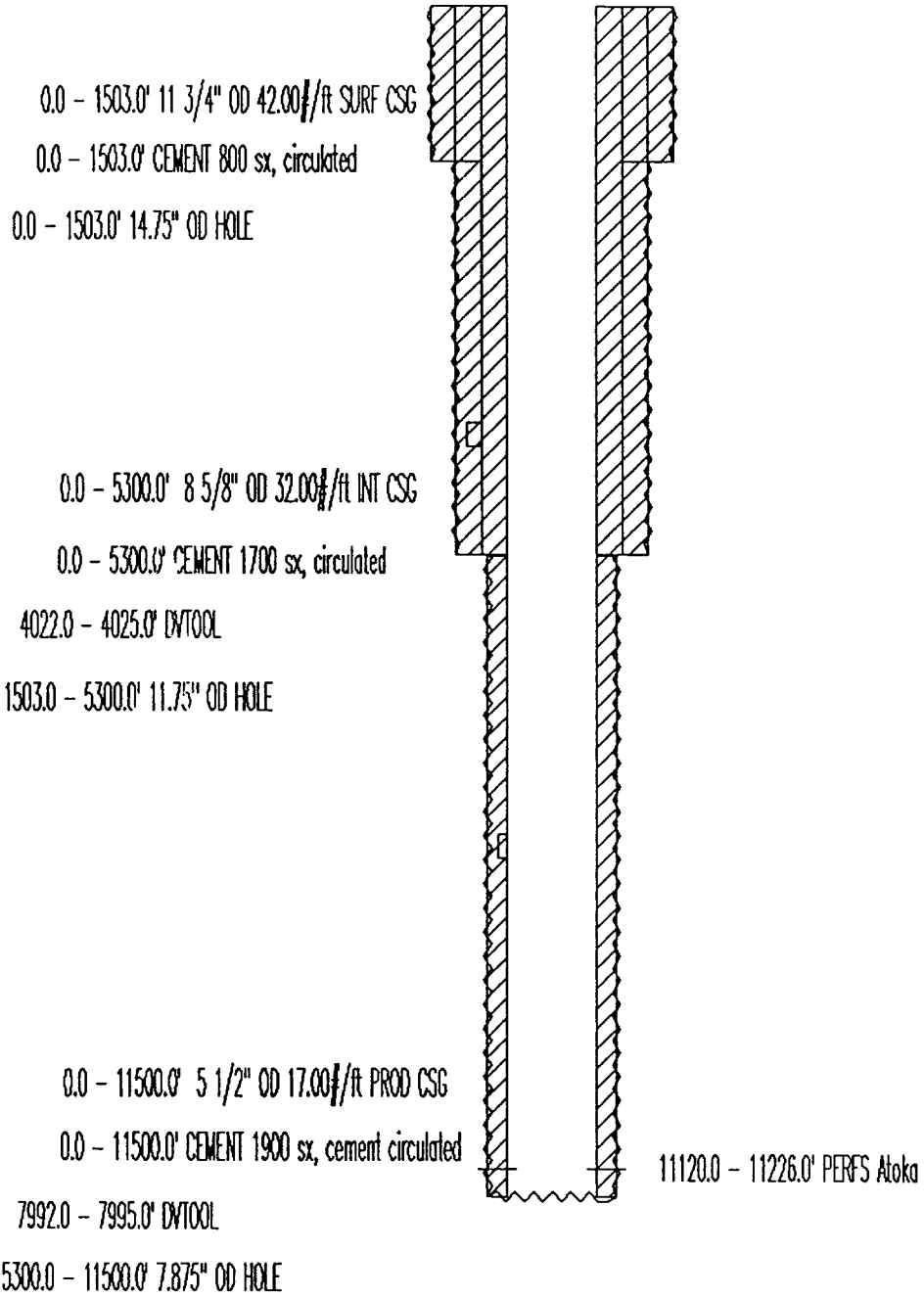
P&A: 2-02-96

TEXACO E&P INC.
NM "O" STATE NCT-1 No. 22
API# 30 025 20319



500 FSL & 560 FWL
 SEC 36, TWN 17 S, RANGE 34 E
 ELEVATION: 4010 DF
 COMPLETION DATE: 12-03-63
 COMPLETION INTERVALS: 5929 - 6035 (Glorieta)
 6726 - 6774 (Blinebry)

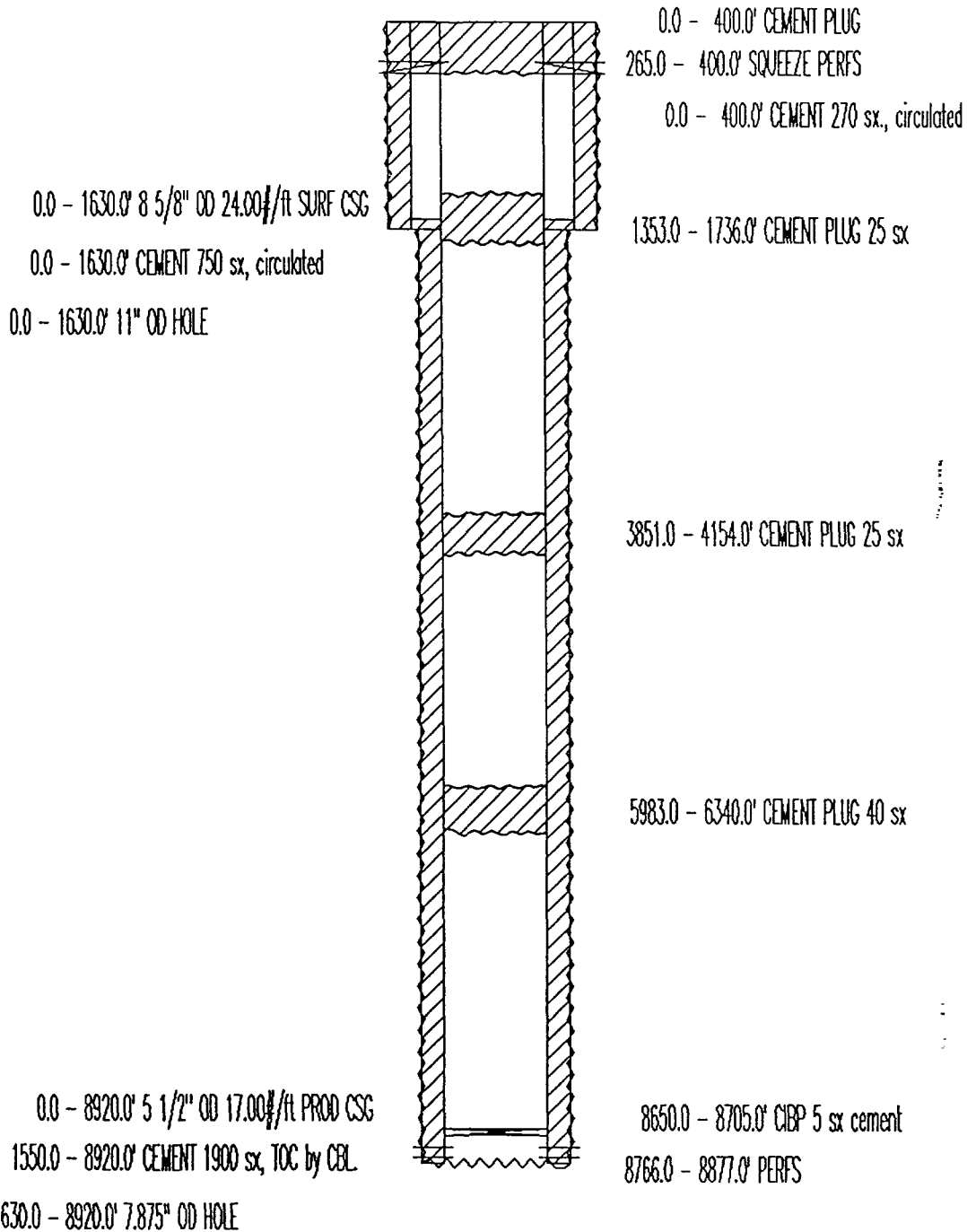
TEXACO E&P INC.
NM "O" NCT-1 No. 38
API# 30 025 33148



2085 FSL & 710 FEL
SEC 36, T11N 17S, RANGE 34E
ELEVATION: 3995' DF
COMPLETION DATE: 12-31-95
COMPLETION INTERVALS: 11,120' - 11,226' (Atoka)

P&A: 5-17-93

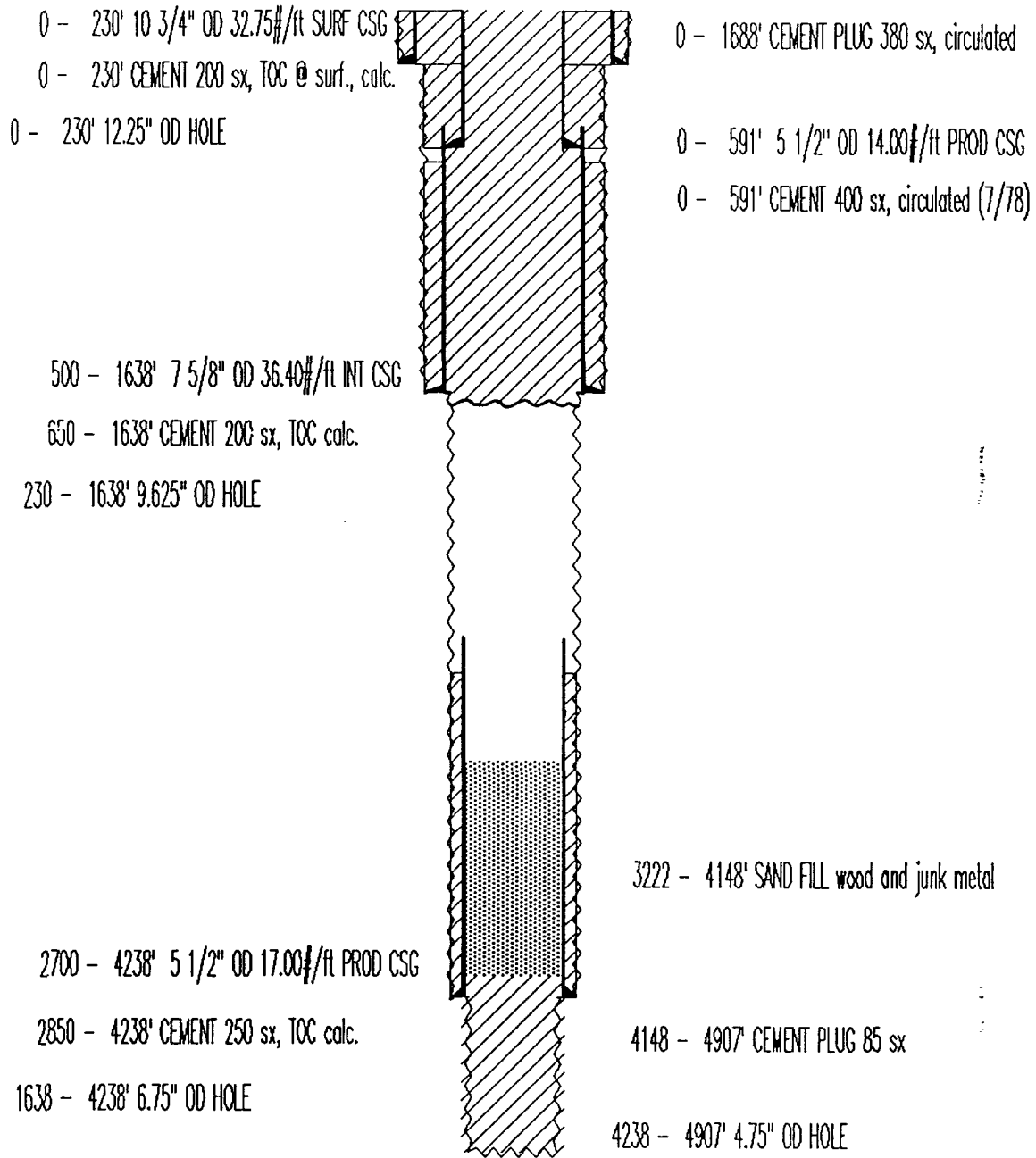
TEXACO E&P INC.
NM "O" NCT-2 No. 21
API# 30 025 24088



2030 FSL & 760 FWL
SEC 33, TWN 17S, RANGE 34E
ELEVATION: 4047' GR
COMPLETION DATE: 07-01-72
COMPLETION INTERVALS: 8,766' - 8,877' (ABO)

Replugged 7-23-95

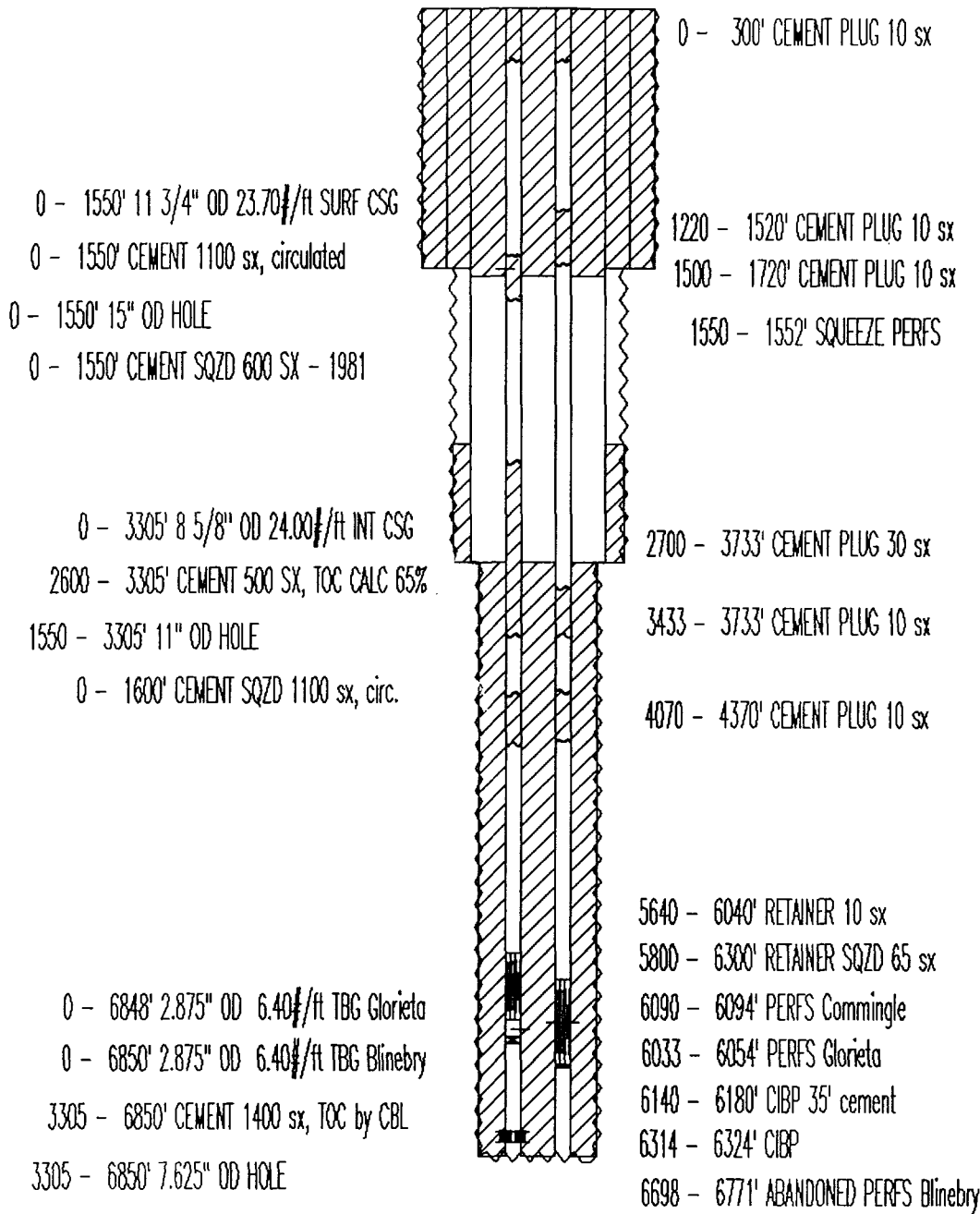
TEXACO E&P INC.
New Mexico "P" State No. 1
CVU Salado Monitor Well



1980 FSL & 1980 FEL
SEC 7, TWN 18S, RANGE 35E
ELEVATION: 3961' GR
COMPLETION DATE: 06-17-38
PLUGGED AND ABANDONED: 6-20-38
COMPLETION INTERVAL: 4238' - 4907' (GBSA)

P&A: 12-06-95

TEXACO E&P INC.
NM "Q" State NCT-1 No. 5
API# 30-025-20172



460 FSL & 2080 FEL
 SEC 25, TWN 17S, RANGE 34E
 ELEVATION: 3997' GR
 COMPLETION DATE: 10-16-63
 COMPLETION INTERVAL: 5941' - 6290' (Glorieta)
 6698' - 6771' (Blinebry)

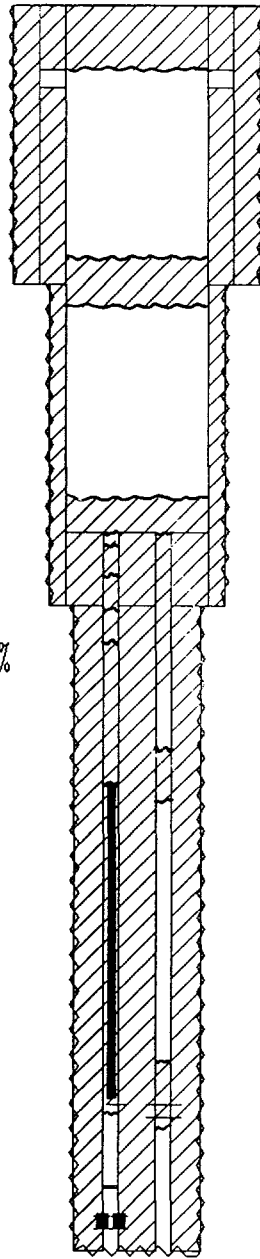
P&A: 12-14-95

TEXACO E&P INC.
NM "Q" State NCT-1 No. 6
API# 30-025-20947

0 - 1530' 11 3/4" OD 42.00#/ft SURF CSG
0 - 1530' CEMENT 900 sx, circulated
0 - 1530' 15" OD HOLE

0 - 3300' 8 5/8" OD 24.00#/ft INT CSG
450 - 3300' CEMENT 750 SX, TOC CALC 65%
1530 - 3300' 10.625" OD HOLE

2900 - 6850' 2.875" OD 6.40#/ft TBG Glorieta
2900 - 6850' 2.875" OD 6.40#/ft TBG Blinebry
2900 - 6850' CEMENT 900 sx, TOC by CBL
3300 - 6850' 7.625" OD HOLE



0 - 350' CEMENT SQZD 175 SX, circ.

1392 - 1650' CEMENT PLUG 40 sx

2714 - 2900' CEMENT PLUG 50 sx

2944 - 3351' CEMENT PLUG 18 sx

3351 - 3651' CEMENT PLUG 10 sx

3651 - 4340' CEMENT PLUG 10 sx

4070 - 4370' CEMENT PLUG 10 sx

4340 - 6040' CEMENT PLUG SQZD 110 sx around fish

5800 - 6150' CEMENT PLUG

6039 - 6044' PERFS Commingle

6008 - 6110' PERFS Glorieta

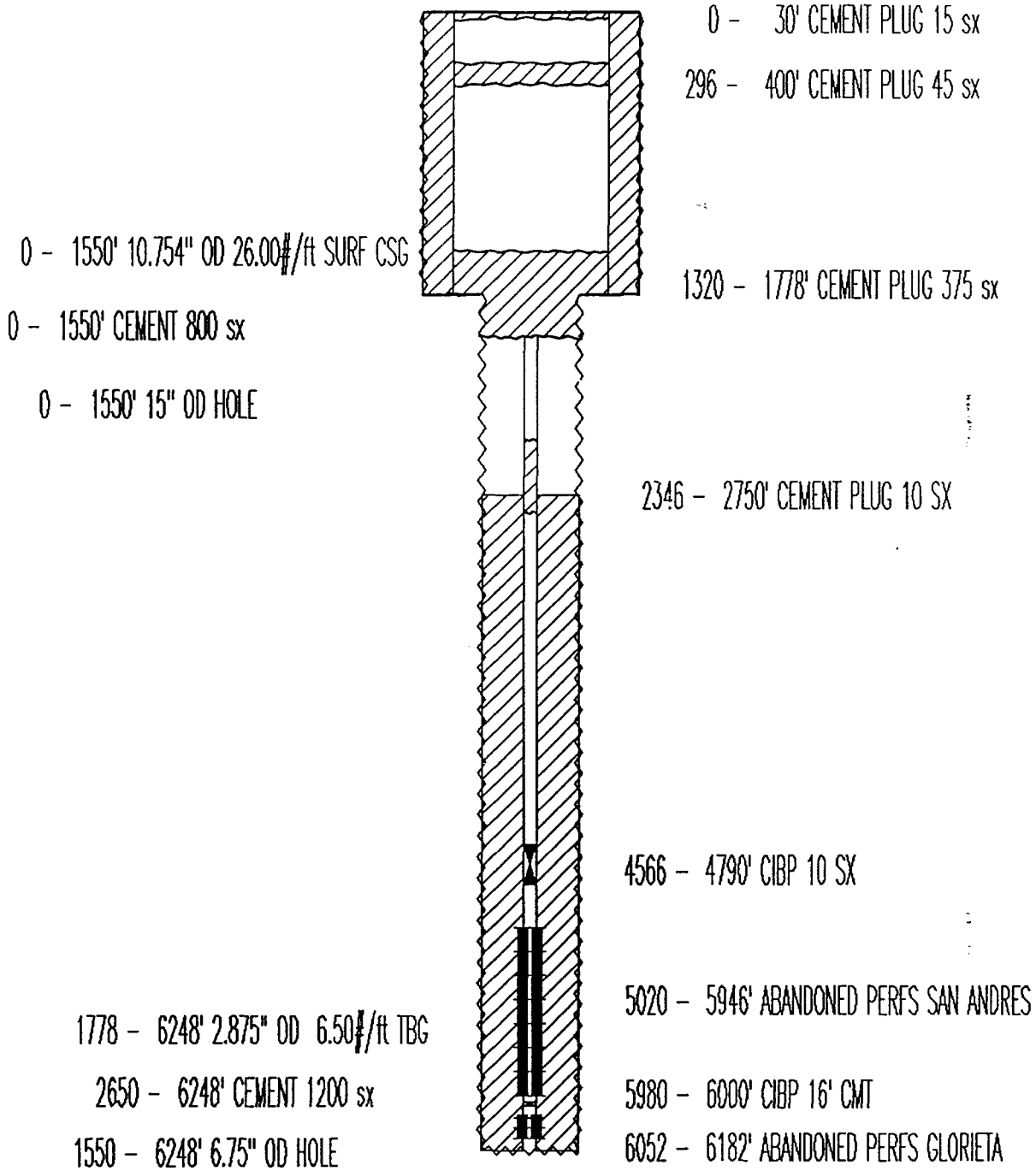
6485 - 6505' CIBP 15' cement

6641 - 6725' ABANDONED PERFS Blinebry

460 FSL & 989 FEL
SEC 25, TWN 17S, RANGE 34E
ELEVATION: 3990' GR
COMPLETION DATE: 3-10-64
COMPLETION INTERVAL: 6008' - 6110' (Glorieta)
6641' - 6725' (Blinebry)

P&A: 3-17-95

TEXACO E&P INC.
NM "R" State NCT-2 No. 5
API# 30 025 21424



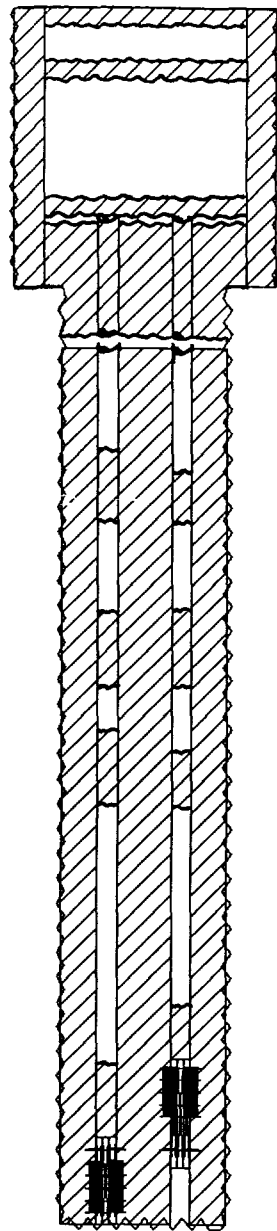
330 FNL & 1650 FEL
SEC 30, TWN 18 S, RANGE 35 E
ELEVATION: 3985 ES
COMPLETION DATE: 03-01-77

COMPLETION INTERVAL: 5020 - 5946 (SA)

P&A: 1-19-96

TEXACO E&P INC.
State "BA" No. 5
API# 30-025-20229

0 - 1533' 9 5/8" OD 36.00#/ft SURF CSG
0 - 1533' CEMENT 645 sx, circulated
0 - 1533' 12.5" OD HOLE



0 - 100' CEMENT PLUG 40 sx
300 - 400' CEMENT PLUG 40 sx
1050 - 1150' CEMENT PLUG 40 SX
1189 - 1800' CEMENT PLUG SQZD w/ 370 sx

2558 - 2833' CEMENT PLUG 10 sx, tagged TOC

3338 - 3738' CEMENT PLUG 10 sx

4100 - 4400' CEMENT PLUG 10 sx

5823 - 6229' CEMENT PLUG 10 sx

5500 - 5800' CEMENT PLUG 10 sx

5800 - 6400' RETAINER 55 sx

5842 - 6118' ABANDONED PERFS Glorieta

6229 - 6710' RETAINER 110 sx

6367 - 6650' ABANDONED PERFS Blinebry

1150 - 6710' 2.875" OD 6.40#/ft TBG Blinebry

1150 - 6709' 2.875" OD 6.40#/ft TBG Glorieta

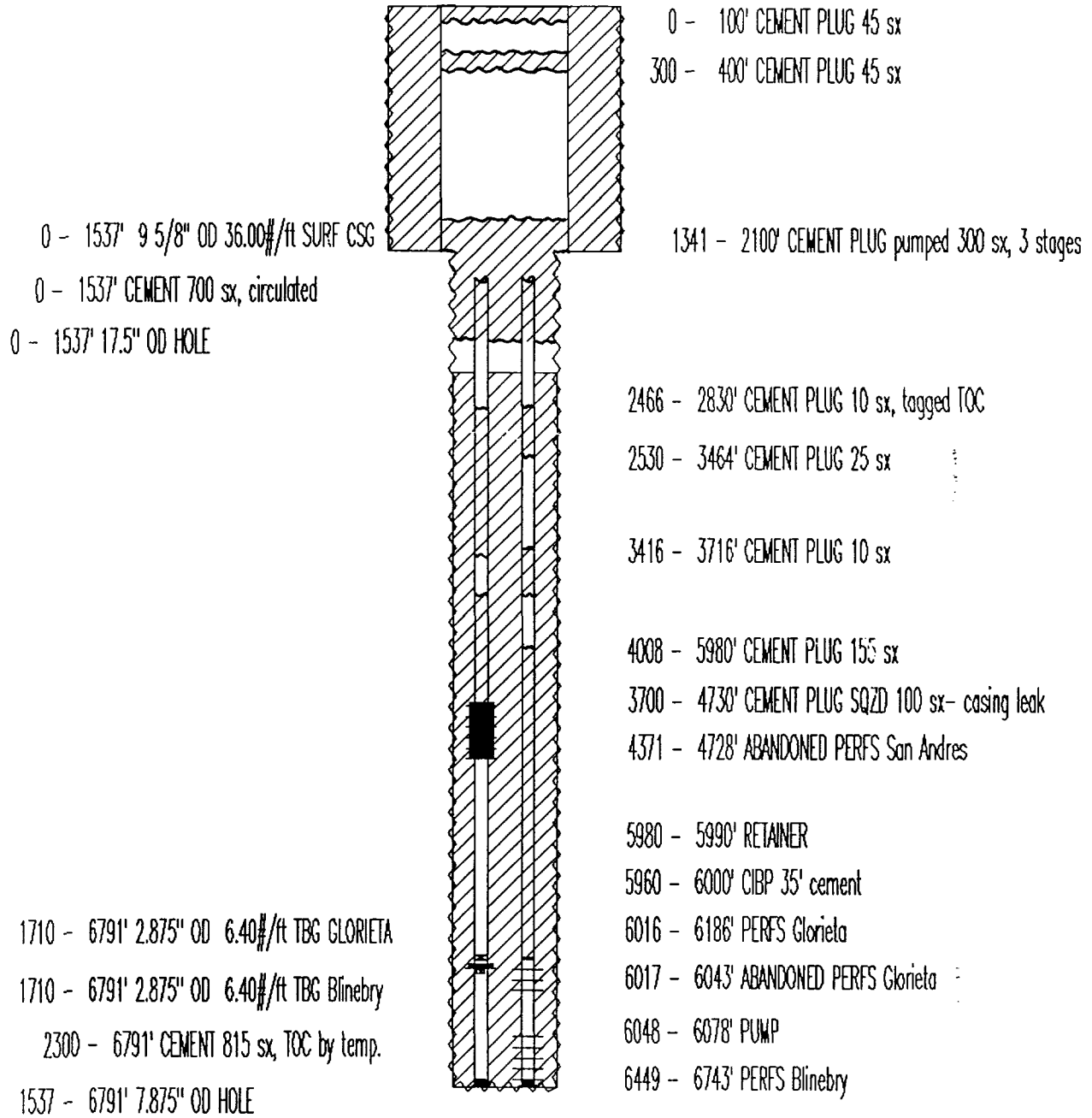
1875 - 6710' CEMENT 1185 sx, TOC by temp.

1533 - 6710' 7.875" OD HOLE

660 FNL & 560 FWL
SEC 36, TWN 17S, RANGE 34E
ELEVATION: 4008' GL
COMPLETION DATE: 5-20-63
COMPLETION INTERVAL: 5842' - 6118' (Glorieta)
6367' - 6650' (Blinebry)

P&A: 12-27-95

TEXACO E&P INC.
State "BA" No. 9
API# 30-025-21061



660 FNL & 2310 FEL
 SEC 36, TWN 17S, RANGE 34E
 ELEVATION: 4006' DF
 COMPLETION DATE: 1-03-65
 COMPLETION INTERVAL: 6016' - 6186' (Glorieta)
 6449' - 6743' (Blinbry)