

UNITED STATES
DEPARTMENT OF THE INTERIOR
BUREAU OF LAND MANAGEMENT

OCD-ARTESIA

FORM APPROVED
Budget Bureau No 1004-0135
Expires March 31, 1993

5 Lease Designation and Serial No
NM-01119

6 If Indian, Allottee or Tribe Name

7 If Unit or CA, Agreement Designation

8 Well Name and No

Yates C Federal # 22

9 API Well No

30-015-24501

10 Field and Pool, or Exploratory Area

Avalon, Delaware

11 County or Parish, State

Eddy, NM

SUNDRY NOTICES AND REPORTS ON WELLS

Do not use this form for proposals to drill or to deepen or reentry to a different reservoir.
Use "APPLICATION FOR PERMIT-" for such proposals

SUBMIT IN TRIPLICATE

1 Type of Well

Oil Well Gas Well Other Water Source Well

2 Name of Operator

ExxonMobil Corporation

3 Address and Telephone No

Po Box 4358 Houston, Texas 77210-4358

4 Location of Well (Footage, Sec., T., R., M., or Survey Description)

1557' FNL & 660' FWL
Sec 4, T 21S, R 27E

12. CHECK APPROPRIATE BOX(S) TO INDICATE NATURE OF NOTICE, REPORT, OR OTHER DATA

TYPE OF SUBMISSION

- Notice of Intent
 Subsequent Report
 Final Abandonment Notice

TYPE OF ACTION

- Abandonment
 Recompletion
 Plugging Back
 Casing Repair
 Altering Casing
 Other _____
- Change of Plans
 New Construction
 Non-Routine Fracturing
 Water Shut-Off
 Conversion to Injection
 Dispose Water

(Note: Report results of multiple completion on Well Completion or Recompletion Report and Log form.)

13 Describe Proposed or Completed Operations (Clearly state all pertinent details, and give pertinent dates, including estimated date of starting any proposed work. If well is directionally drilled, give subsurface locations and measured and true vertical depths for all markers and zones pertinent to this work.)*

MIRU ND wellhead NU BOP

Tag existing CIBP @ 3,150' Circulate well with plugging mud Spot 25 sks of cement @ 3,150'

PUH to 2,749' Spot 35 sks of cement @ 2,749'-2,446'. WOC & tag plug

Perf @ 720'. Circulate 200 sks of cement up annulus to surface.

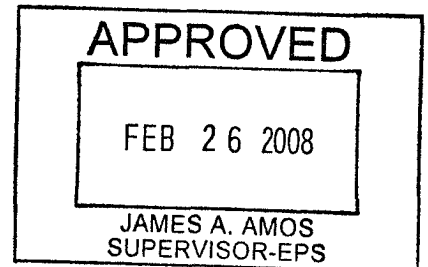
Cut off wellhead and anchors 3' BGL Cap well. Install dry hole marker

ACCEPTED FOR RECORD

FEB 28 2008

Gerry Guye, Deputy Field Inspector
NMOCD-District II ARTESIA

**SEE ATTACHED FOR
CONDITIONS OF APPROVAL**



14 I hereby certify that the foregoing is true and correct

Signed [Signature]
(This space for Federal or State office use)

Title Agent

Date 02/14/08

Approved by _____
Conditions of approval, if any

Title _____

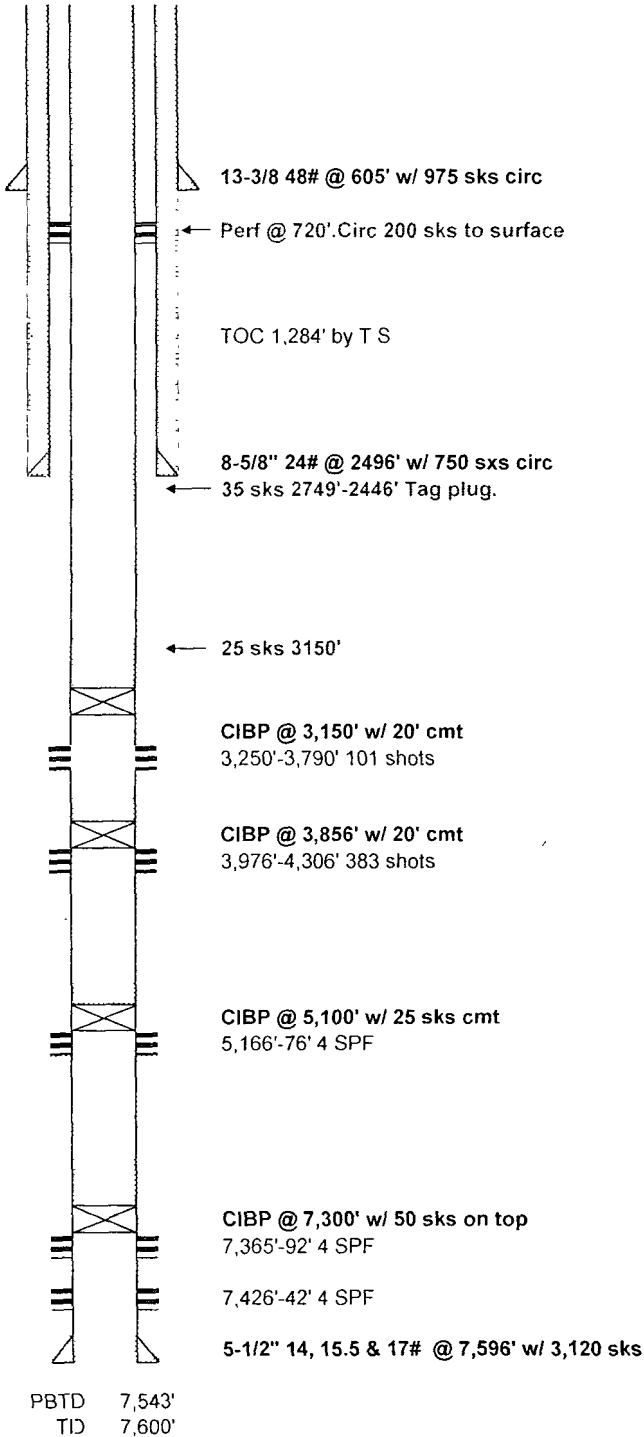
Date _____

PA Well Diagram ExxonMobil

RKB @ _____
 DF @ _____
 GL @ 3,194'

Date 11-Feb-08

Subarea	_____		
Lease & Well No	Yates "C" Federal 22		
Legal Description	1,557' FNL & 660' FWL Sec 4, T 21S, R 27E		
County	Eddy	State	New Mexico
Field	Burton Flat	_____	
Date Spudded	7/27/1983	Completed	10/1/1983
API Number	30-015-24501		
Status:	T A'D		



Abbreviated Well History

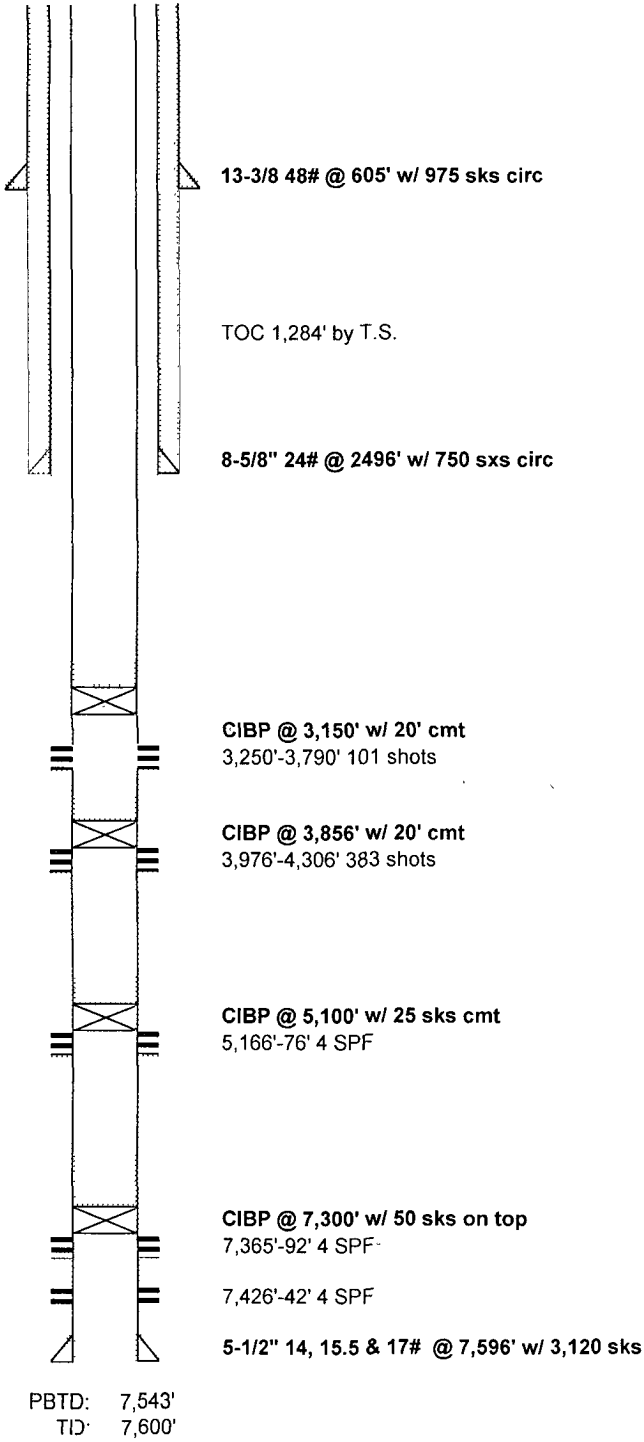
7/83 Spudded well
 8/83 Perf 7426'-42'
 10/83 Perf 7365'-72'
 2/85 Perf 5166'
 11/85 Convert to SWD. Set CIBP 5096' Perf @ 3976'-4306'
 6/87 Drill out cmt & CIBP 5096' Clean out to 7428'
 Set CIBP @ 7300' w/ 50 sks on top
 Set CIBP @ 5100' w/ 25 sks on top

Current Well Diagram ExxonMobil

RKB @ _____
 DF @ _____
 GL @ 3,194'

Date: 11-Feb-08

Subarea	_____		
Lease & Well No	Yates "C" Federal 22		
Legal Description	1,557' FNL & 660' FWL Sec 4, T 21S, R 27E		
County	Eddy	State	New Mexico
Field	Burton Flat		
Date Spudded	7/27/1983	Completed	10/1/1983
API Number	30-015-24501		
Status	T A'D		



Abbreviated Well History

7/83 Spudded well.
 8/83 Perf 7426'-42'
 10/83 Perf 7365'-72'
 2/85 Perf 5166'
 11/85 Convert to SWD. Set CIBP 5096' Perf @ 3976'-4306'
 6/87 Drill out cmt & CIBP 5096' Clean out to 7428'
 Set CIBP @ 7300' w/ 50 sks on top
 Set CIBP @ 5100' w/ 25 sks on top

BUREAU OF LAND MANAGEMENT
Carlsbad Field Office
620 East Greene Street
Carlsbad, New Mexico 88220
575-234-5972

Permanent Abandonment of Federal Wells
Conditions of Approval

Failure to comply with the following Conditions of Approval may result in a Notice of Incidents of Noncompliance (INC) in accordance with 43 CFR 3163.1.

1. Plugging operations shall commence within ninety (90) days from the approval date of this Notice of Intent to Abandon.

If you are unable to plug the well by the 90th day provide this office, prior to the 90th day, with the reason for not meeting the deadline and a date when we can expect the well to be plugged. Failure to do so will result in enforcement action.

2. **Notification:** Contact the appropriate BLM office at least 24 hours prior to the commencing of any plugging operations. For wells in Chaves and Roosevelt County, call 575-627-0272; Eddy County, call 575-361-2822; Lea County, call 575-393-3612.

3. **Blowout Preventers:** A blowout preventer (BOP), as appropriate, shall be installed before commencing any plugging operation. The minimum BOP requirement is a 2M system for a well not deeper than 9,090 feet; a 3M system for a well not deeper than 13,636 feet; and a 5M system for a well not deeper than 22,727 feet.

4. **Mud Requirement:** Mud shall be placed between all plugs. Minimum consistency of plugging mud shall be obtained by mixing at the rate of 25 sacks (50 pounds each) of gel per 100 barrels of water. Minimum nine (9) pounds per gallon.

5. **Cement Requirement:** Sufficient cement shall be used to bring any required plug to the specified depth and length. Any given cement volumes on the proposed plugging procedure are merely estimates and are not final. Unless specific approval is received, no plug except the surface plug shall be less than 25 sacks of cement. In lieu of a cement plug in a cased hole, a bridge plug set within 50 feet to 100 feet above the perforations shall be capped with 25 sacks of cement. If a bailer is used to cap this plug, 35 feet of cement shall be sufficient.

Unless otherwise specified in the approved procedure, the cement plug shall consist of either Neat Class "C", for up to 7,500 feet of depth or Neat Class "H", for deeper than 7,500 feet plugs.

6. **Dry Hole Marker:** All casing shall be cut-off at the base of the cellar or 3 feet below final restored ground level (whichever is deeper). The well bore shall then be capped with a 4-inch pipe, 10-feet in length, 4 feet above ground and embedded in cement. The following information shall be permanently inscribed on the dry hole marker: well name and number, name of the operator, lease serial number, surveyed location (quarter-quarter section, section, township and range or other authorized survey designation acceptable to the authorized officer such as metes and bounds).

7. **Subsequent Plugging Reporting:** Within 30 days after plugging work is completed, file one original and five copies of the Subsequent Report of Abandonment, Form 3160-5 to BLM. The report should give in detail the manner in which the plugging work was carried out, the extent (by depths) of cement plugs placed, and the size and location (by depths) of casing left in the well. **Show date well was plugged.**

8. **Trash:** All trash, junk and other waste material shall be contained in trash cages or bins to prevent scattering and will be removed and deposited in an approved sanitary landfill. Burial on site is not permitted.

Following the submission and approval of the Subsequent Report of Abandonment, surface restoration conditions of approval will be developed and furnished to you.