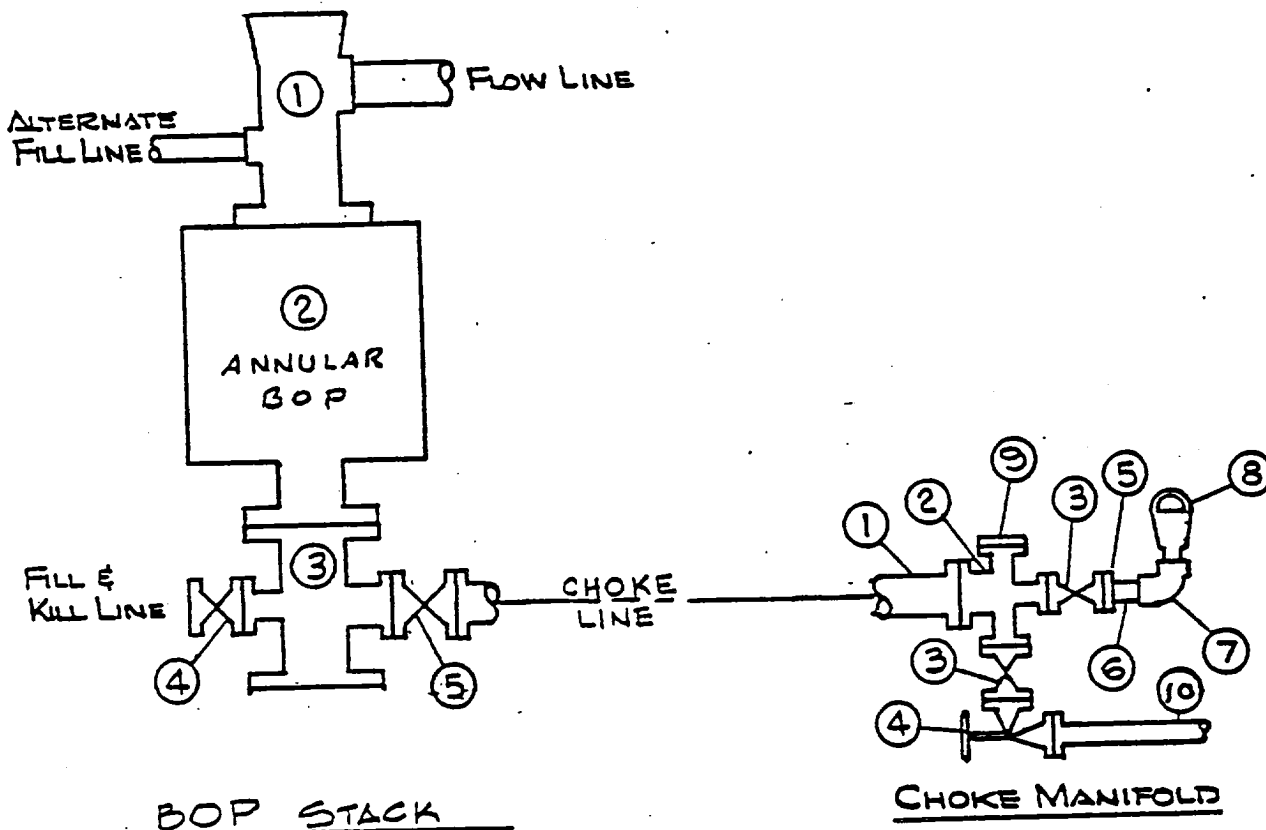


MID. AND DRILLING OR ANIZATION BLOWOUT PREVENTER SPECIFICATION TYPE VIII

2000 PSI



BOP STACK

1. Bell Nipple with flow line and fill connection.
2. Hydril or Shaffer bag type preventer.
3. Flanged spool with one 4-inch and one 2-inch (minimum) outlet.
4. 2-inch (minimum) flanged plug or gate valve.
5. 4-inch flanged pressure operated gate valve or manual operated plug or gate valve.

CHOKE MANIFOLD

1. 4-inch flanged spacer spool.
2. 4-inch X 2-inch X 2-inch X 2-inch flanged cross.
3. 2-inch flanged plug or gate valve.
4. 2-inch flanged adjustable choke.
5. 2-inch threaded flange.
6. 2-inch X H nipple.
7. 2-inch forged steel Ell.
8. Cameron (or equal,) threaded pressure gage.
9. Blind flange.
10. 2-1/2-inch pipe, 300' to pit, anchored.