

District I
 P.O. Box 130
 DEPUTY OIL & GAS INSPECTOR
 District II
 P.O. Drawer DD, Artesia, NM 88201
 District III
 1000 Rio Brazos Rd. Santa Fe, NM 87501
 SEP 03 1999

State of New Mexico
 Energy, Minerals and Natural Resources Department

DK
 SUBMIT 1 COPY TO
 APPROPRIATE
 DISTRICT OFFICE
 AND 1 COPY TO
 SANTA FE OFFICE

OIL CONSERVATION DIVISION

2040 South Pacheco Street
 Santa Fe, New Mexico 87505

RECEIVED
 JUL 30 1999
 OIL CON. DIV.
 DIST. 3

PIT REMEDIATION AND CLOSURE REPORT

Approved

Operator: PNM Gas Services (Burlington) Telephone: 324-3764

Address: 603 W. Elm Street Farmington, NM 87401

Facility or Well Name: Culpepper Martin #12A

Location: Unit 1 Sec 20 T 32N R 12W County San Juan

Pit Type: Separator Dehydrator Other _____

Land Type: BLM State Fee Other _____

Pit Location: Pit dimensions: length 20' width 20' depth 3'

(Attach diagram) Reference: wellhead other _____

Footage from reference: 120'

Direction from reference: 45 Degrees East North
 of West South

Depth to Ground Water: (Vertical distance from contaminants to seasonal high water elevation of ground water)	Less than 50 feet	(20 points)	
	50 feet to 99 feet	(10 points)	
	Greater than 100 feet	(0 points)	<u>0</u>
Wellhead Protection Area: (Less than 200 feet from a private domestic water source, or, less than 1,000 feet from all other water sources)	Yes	(20 points)	
	No	(0 points)	<u>0</u>
Distance to Surface Water: (Horizontal distance to perennial lakes, ponds, rivers, streams, creeks, irrigation canals and ditches)	Less than 200 feet	(20 points)	
	200 feet to 1,000 feet	(10 points)	
	Greater than 1,000 feet	(0 points)	<u>0</u>
RANKING SCORE (TOTAL POINTS):			<u>0</u>

Culpepper Martin #12A

Date Remediation Started: 05/05/1999 Date Completed: 05/05/1999

Remediation Method: Excavation X Approx. Cubic Yard 295

(Check all appropriate sections)

Landfarmed X Amount Landfarmed (cubic yds) 295

Other _____

Remediation Location: Onsite X Offsite _____

(i.e., landfarmed onsite, name and location of offsite facility)

Backfill Material Location: _____

General Description of Remedial Action:

Excavated contaminated soil to a pit size of 19' X 21' X 20' and landfarmed soil onsite within a bermed area at a depth of 6" to 12". Soil was aerated by disking/plowing until soil met regulatory levels.

Ground Water Encountered: No Yes Depth _____

Final Pit Closure Sampling:

Sample Location 3 pt. composite - bottom.

(if multiple samples, attach sample result and diagram of sample locations and depths.)

Sample depth 20'

Sample date 05/05/1999 Sample time 10:00:00 AM

Sample Results

Benzene (ppm) < 0.100

Total BTEX (ppm) 10.610

Field headspace (ppm) _____

TPH (ppm) 280.00 Method 8015B

Vertical Extent (ft) _____ Risk Analysis form attached Yes No

Ground Water Sample: Yes No (If yes, see attached Groundwater Site Summary Report)

I HEREBY CERTIFY THAT THE INFORMATION ABOVE IS TRUE AND COMPLETE TO THE BEST OF MY KNOWLEDGE AND MY BELIEF

DATE July 27, 1999

SIGNATURE Maureen Gannon

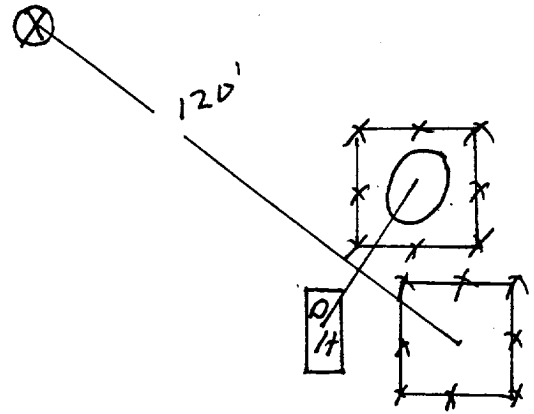
PRINTED NAME **Maureen Gannon**
AND TITLE **Project Manager**

Culpepper Martin # 12A
Burlington
Sec. 20, 32N, 12W, I

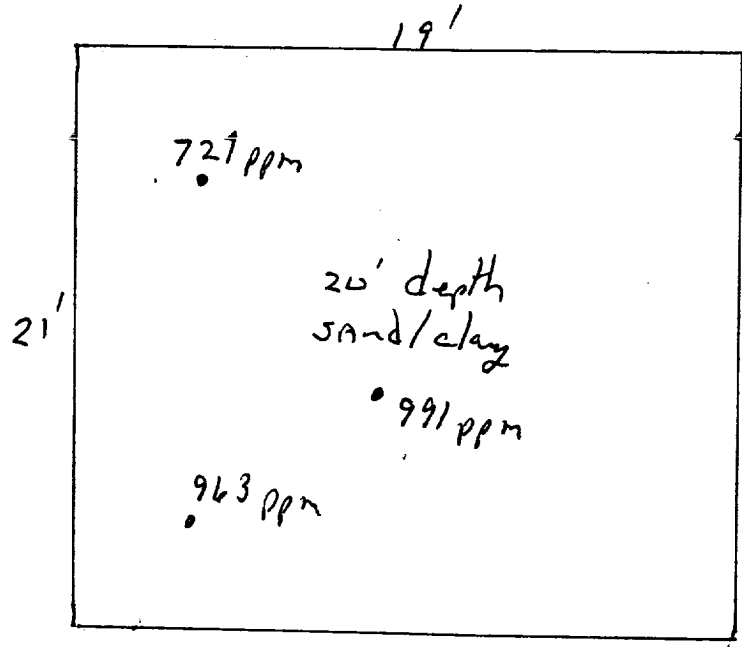
5/5/99



- Site diagram:



End of excavation:





On Site Technologies, LTD.

Date: 18-May-99

CLIENT: PNM - Public Service Company of NM
Project: Culpepper Martin #12A
Lab Order: 9905030

CASE NARRATIVE

Samples were analyzed using the methods outlined in the following references:

Test Methods for Evaluating Solid Waste, Physical/Chemical Methods, SW846, 3rd Edition

All method blanks, laboratory spikes, and/or matrix spikes met quality assurance objectives.

LARRY

OFF: (505) 325-5667



LAB: (505) 325-1556

ANALYTICAL REPORT

Date: 18-May-99

Client: PNM - Public Service Company of NM Client Sample Info: Culpepper Martin #12A
Work Order: 9905030 Client Sample ID: 9905051000; Bottom @ 20ft.
Lab ID: 9905030-01A Matrix: SOIL Collection Date: 5/5/99 10:00:00 AM
Project: Culpepper Martin #12A COC Record: 7591

Table with 7 columns: Parameter, Result, PQL, Qual, Units, DF, Date Analyzed. Rows include DIESEL RANGE ORGANICS (T/R Hydrocarbons: C10-C28) and AROMATIC VOLATILES BY GC/PID (Benzene, Toluene, Ethylbenzene, m,p-Xylene, o-Xylene).

10610
10.610 ppm

Qualifiers: PQL - Practical Quantitation Limit S - Spike Recovery outside accepted recovery limits
ND - Not Detected at Practical Quantitation Limit R - RPD outside accepted recovery limits
J - Analyte detected below Practical Quantitation Limit E - Value above quantitation range
B - Analyte detected in the associated Method Blank Surr: - Surrogate

P.O. BOX 2606 • FARMINGTON, NM 87499

- TECHNOLOGY BLENDING INDUSTRY WITH THE ENVIRONMENT -



ANALYTICAL REPORT

Date: 18-May-99

Client:	PNM - Public Service Company of NM	Client Sample Info:	Culpepper Martin #12A
Work Order:	9905030	Client Sample ID:	9905051005; Walls @ 15ft.
Lab ID:	9905030-02A	Matrix:	SOIL
Project:	Culpepper Martin #12A	Collection Date:	5/5/99 10:05:00 AM
		COC Record:	7591

Parameter	Result	PQL	Qual	Units	DF	Date Analyzed
DIESEL RANGE ORGANICS		SW8015B				Analyst: DC
T/R Hydrocarbons: C10-C28	ND	25		mg/Kg.	1	5/10/99

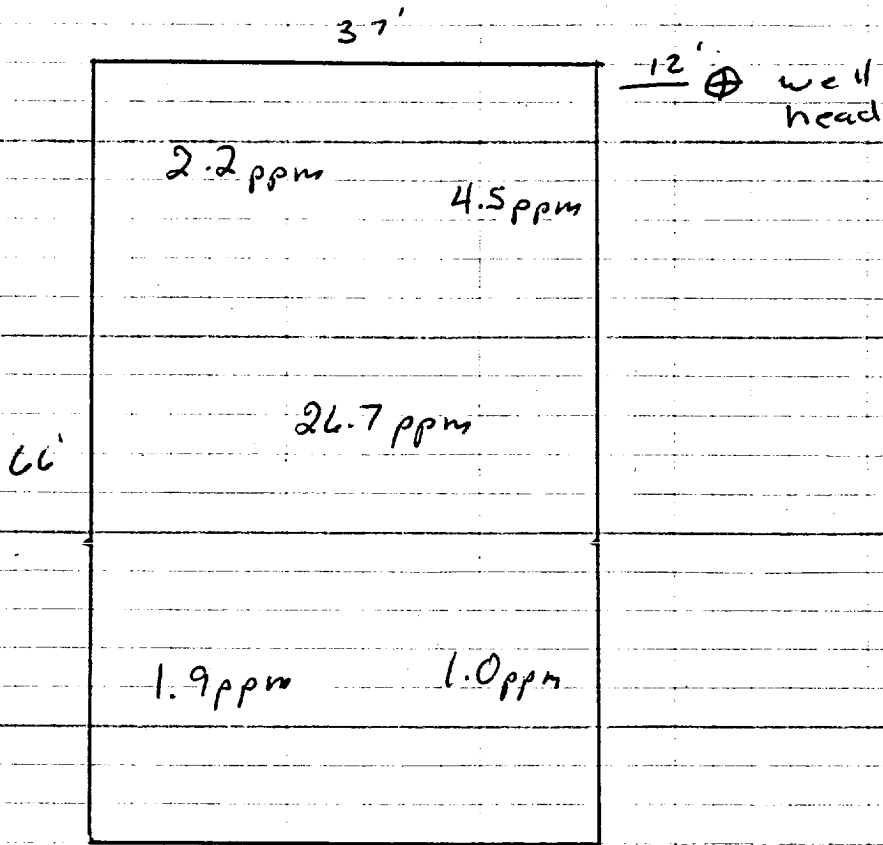
Qualifiers:

PQL - Practical Quantitation Limit	S - Spike Recovery outside accepted recovery limits
ND - Not Detected at Practical Quantitation Limit	R - RPD outside accepted recovery limits
J - Analyte detected below Practical Quantitation Limit	E - Value above quantitation range
B - Analyte detected in the associated Method Blank	Surr: - Surrogate

Dec-20 T-32N R-12W 44
Burlington

Landform Drawing

App. 295 cu yds



2" to 12" Depth
Headspace 35.7 ppm
Sample # 990610 1201

Not to Scale

OFF: (505) 325-5667



LAB: (505) 325-1556

On Site Technologies, LTD.

Date: 21-Jun-99

CLIENT: PNM - Public Service Company of NM
Project: Culpepper Martin 12A LF
Lab Order: 9906043

CASE NARRATIVE

Samples were analyzed using the methods outlined in the following references:

Test Methods for Evaluating Solid Waste, Physical/Chemical Methods, SW846, 3rd Edition

All method blanks, laboratory spikes, and/or matrix spikes met quality assurance objectives.



ANALYTICAL REPORT

Date: 21-Jun-99

Client:	PNM - Public Service Company of NM	Client Sample Info:	Culpepper Martin 12A LF
Work Order:	9906043	Client Sample ID:	9906101201; 5pt. Comp
Lab ID:	9906043-01A	Matrix:	SOIL
Project:	Culpepper Martin 12A LF	Collection Date:	6/10/99 12:01:00 PM
		COC Record:	7387

Parameter	Result	PQL	Qual	Units	DF	Date Analyzed
DIESEL RANGE ORGANICS		SW8015B				Analyst: DC
T/R Hydrocarbons: C10-C28	ND	25		mg/Kg	1	6/16/99

Qualifiers:

PQL - Practical Quantitation Limit	S - Spike Recovery outside accepted recovery limits
ND - Not Detected at Practical Quantitation Limit	R - RPD outside accepted recovery limits
J - Analyte detected below Practical Quantitation Limit	E - Value above quantitation range
B - Analyte detected in the associated Method Blank	Surr: - Surrogate