

Mobil Oil Corporation

P.O. BOX 633
MIDLAND, TEXAS 79701

November 10, 1966

State of New Mexico
Oil Conservation Commission
P. O. Box 2088
Santa Fe, New Mexico

Attention: Mr. A. L. Porter, Jr.

7.01 MOBIL OIL CORPORATION
PROPOSED APPLICATION FOR MULTIPLE
COMPLETION - BRIDGES STATE WELL
NO. 116, LEA COUNTY, NEW MEXICO

Gentlemen:

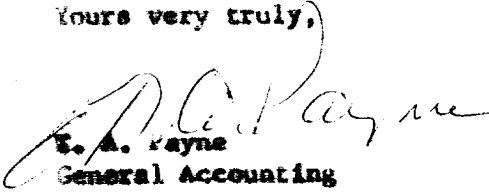
We are enclosing a revised diagrammatic sketch for attachment to our latest C-107, Application for Multiple Completion, dated October 27, 1966.

We regret any delay that we may have caused you because of the frequent changes in the diagrammatic sketch. Due to various problems we have encountered in our endeavor to dual or triple complete our Bridges State Well No. 116, numerous changes in the diagrammatic sketch have been necessary.

By submitting this revised sketch for attachment to our latest C-107, dated October 27, 1966, this should finalize the paper work in regard to the subject well.

Yours very truly,

JJHurt/gj


E. A. Payne
General Accounting

Enclosure (1)

cc: NMCC - Hobbs, New Mexico, w/attachment ✓
111 - 1

Apple Inc. Corporation

12/31/2013

Apple Inc.
100 Apple Park
Cupertino, CA 95014
www.apple.com

2013

Apple Inc. is a leading provider of consumer electronics, software, and services. The company's products include the iPhone, iPad, Mac, and Apple Watch. Apple is also a major provider of cloud services, including iCloud, iTunes, and the App Store.

Apple's revenue is primarily derived from the sale of hardware products, with a growing contribution from services. The company's operating margins are high, reflecting its strong brand and efficient manufacturing process. Apple's market capitalization is one of the highest in the world, and it is a component of several major stock market indices.

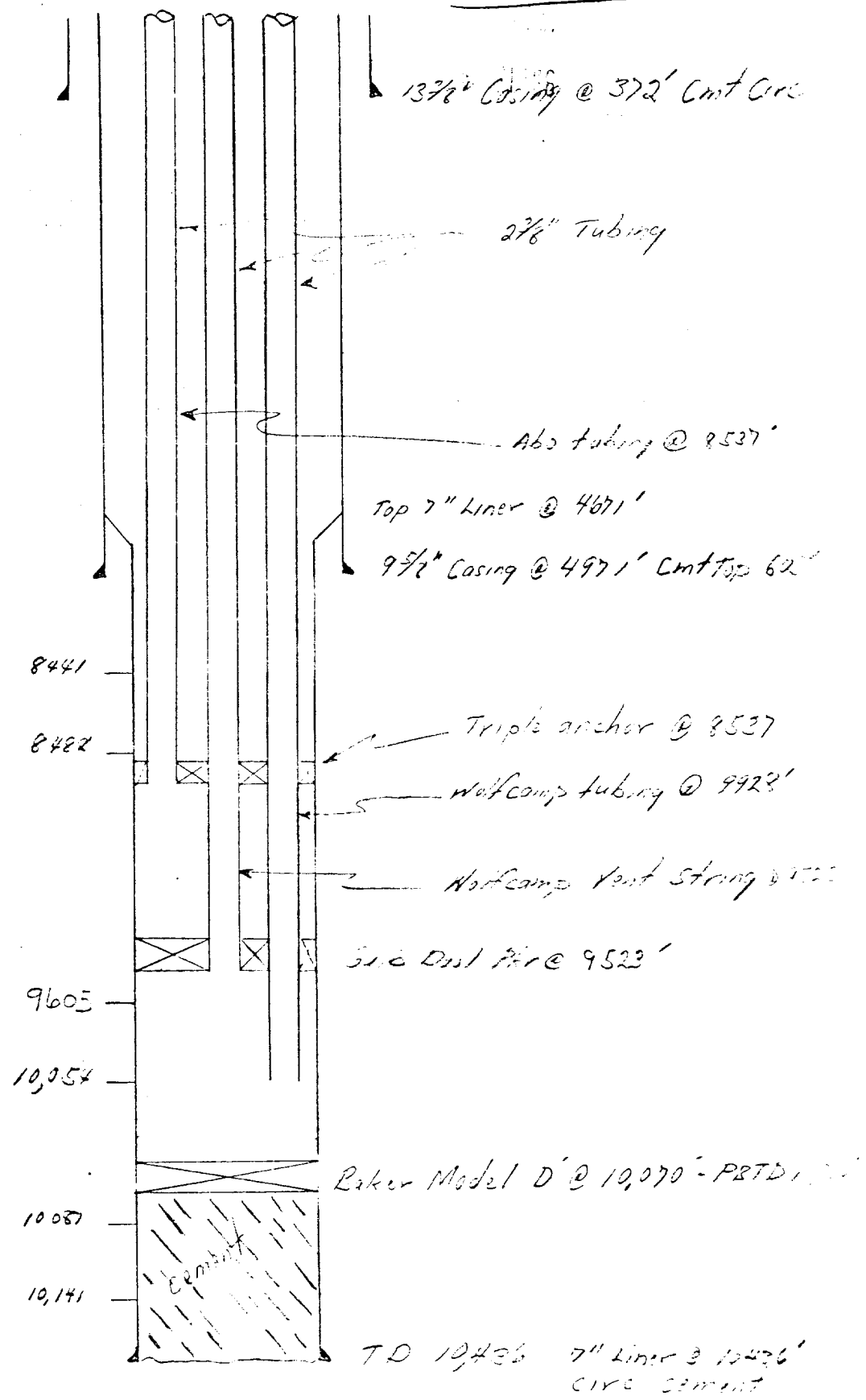
Apple is committed to environmental and social responsibility. The company has set ambitious goals for reducing its carbon footprint and improving its supply chain practices. Apple is also a leader in philanthropy, with significant investments in education, healthcare, and the arts.

Apple's success is a testament to its innovative spirit and customer-centric approach. The company's products are designed to be intuitive, easy to use, and highly reliable. Apple's services are designed to be seamless and secure, providing a comprehensive ecosystem for its users. Apple's commitment to excellence and innovation ensures that it will continue to be a leader in the technology industry for years to come.

Apple Inc. is a public company listed on the New York Stock Exchange (NYSE) under the ticker symbol AAPL. The company's headquarters are located in Cupertino, California. Apple is a member of the United Nations Global Compact and the Sustainable Development Goals.

Apple Inc. is a leading provider of consumer electronics, software, and services. The company's products include the iPhone, iPad, Mac, and Apple Watch. Apple is also a major provider of cloud services, including iCloud, iTunes, and the App Store. Apple's revenue is primarily derived from the sale of hardware products, with a growing contribution from services. The company's operating margins are high, reflecting its strong brand and efficient manufacturing process. Apple's market capitalization is one of the highest in the world, and it is a component of several major stock market indices.

Revised



Vacuum Abo

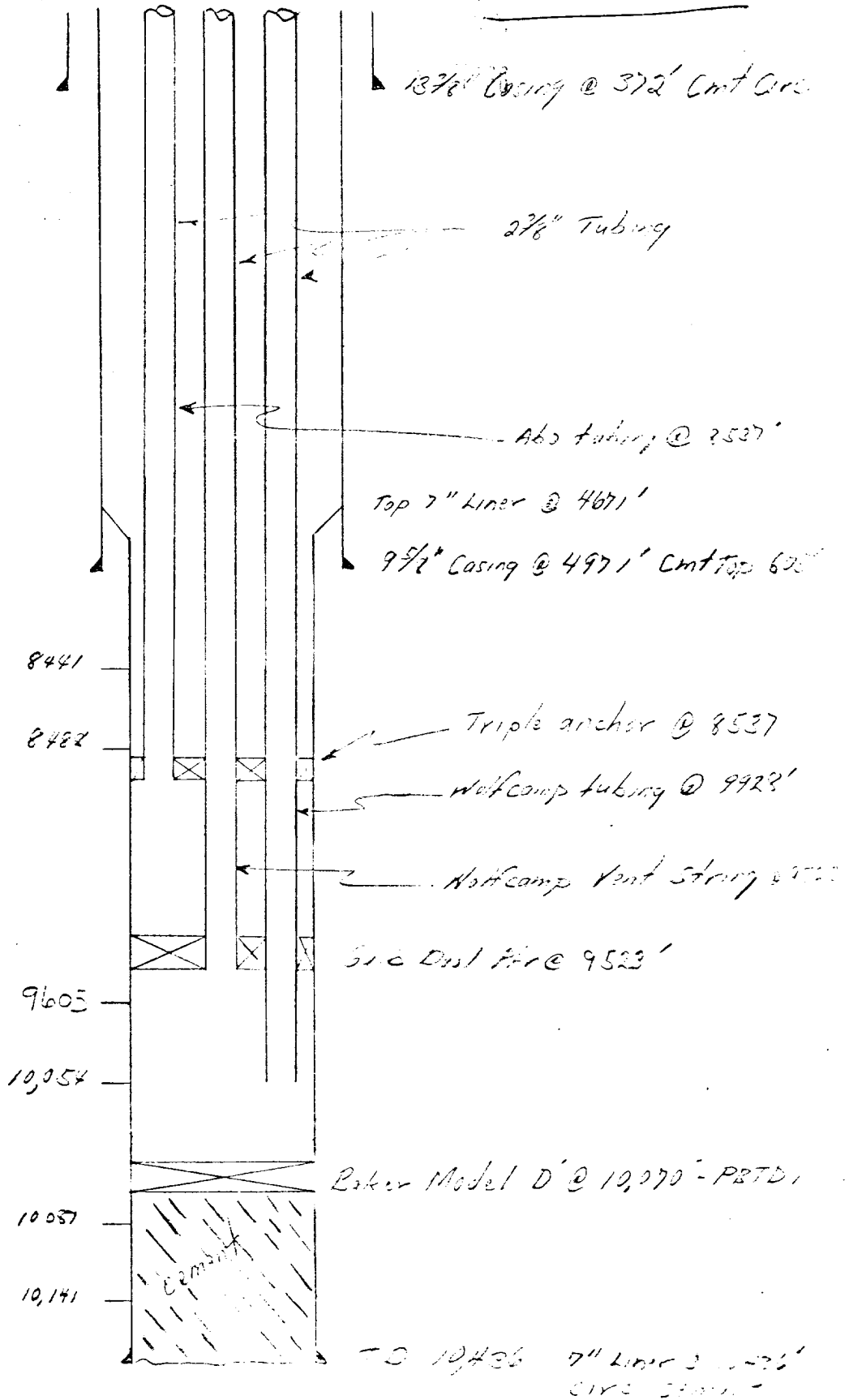
Vacuum Wolfcamp

Penn sqzd w/10057

Amobil oil corp.

Bridges State # 116

Revised



Vacuum Abo

Vacuum Wolfcamp

Penn sqzd w/1005x