

District I
P.O. Box 1980, Hobbs, NM 88241-1980
District II
811 South First, Artesia, NM 88210
District III
1000 Rio Brazos Rd., Aztec, NM 87410
District IV
2040 South Pacheco, Santa Fe, NM 87505

State of New Mexico
Energy, Minerals & Natural Resources Department

OIL CONSERVATION DIVISION
2040 South Pacheco
Santa Fe, NM 87505

Form C-101
Revised October 18, 1994
Instructions on back
Submit to Appropriate District Office
State Lease - 6 Copies
Fee Lease - 5 Copies

AMENDED REPORT

APPLICATION FOR PERMIT TO DRILL, RE-ENTER, DEEPEN, PLUGBACK, OR ADD A ZONE

1 Operator Name and Address Apache Corporation Attn: Dennis Bickford 2000 Post Oak Blvd. Ste. 100 Houston, Texas 77056-4400		2 OGRID Number 873
4 Property Code 22503		3 API Number 30-025-35404
5 Property Name Northeast Drinkard Unit		6 Well No. 333

UL or lot no.	Section	Township	Range	Lot Idn	Feet from the	North/South Line	Feet from the	East/West Line	County
V	2	21-S	37-E		1209	South	1463	West	Lea

UL or lot no.	Section	Township	Range	Lot Idn	Feet from the	North/South Line	Feet from the	East/West Line	County
9 Proposed Pool 1 Eunice; Bli-Tu-Dr, North (22900)					10 Proposed Pool 2				

11 Work Type Code N	12 Well Type Code O	13 Cable/Rotary R	14 Lease Type Code P	15 Ground Level Elevation 3467" KB
16 Multiple	17 Proposed Depth 6950	18 formation Bliinebry/Tubb/Drinkard	19 Contractor	20 Spud Date ASAP

Hole Size	Casing Size	Casing weight/foot	Setting Depth	Sacks of Cement	Estimated TOC
12 1/4"	8 5/8"	24# J55 STC	1300' or Anhydrite Form.	585 sxs	Circulate to Surf
7 7/8"	5 1/2"	17# J55 LTC	6950	477 sxs Class "C"	Circulate to Surf
				+360 sxs 50/50	
				Pozmix	

22 Describe the proposed program. If this application is to DEEPEN or PLUG BACK give the data on the present productive zone and proposed new productive zone. Describe the blowout prevention program, if any. Use additional sheets if necessary.

Propose to drill 12 1/4" hole to 1300' or 50' into Anhydrite, run & set 1300' of 8 5/8" and cement, circulate to surface
Lead: 400 sxs Class "C" +2%bwow Cal. Chloride + additives
Tail: 185 Class "C" +2%bwow Cal. Chloride + additives
Drill 7 7/8" hole to 6950', run & set 6950' of 5 1/2" and cement, (caliper + 20%) circulate to surface.
Lead: 477 sxs(36:65)Poz (Fly Ash) Class "C" +2%bwow Cal. Chloride + additives
Tail: 360 sxs(50:50)Poz (Fly Ash) Class "H" +2%bwow Sod. Chloride + additives
Blow Out Prevention: See attached copy

23 I hereby certify that the information given above is true and complete to the best of my knowledge and belief.		OIL CONSERVATION DIVISION	
Signature: <i>Everett Ouzts</i>	Printed Name: Everett Ouzts	Approved by: <i>[Signature]</i>	Title: DISTRICT SUPERVISOR
Title: Engineering Technician	Approval Date: FEB 14 2001	Expiration Date:	Conditions on Approval:
02/01/2001	Phone: 915-631-3733		

Permit Expires 1 Year From Approval Date Unless Drilling Underway

*B
MP*

DISTRICT I
P.O. Box 1880, Hobbs, NM 88241-1880

DISTRICT II
P.O. Drawer DD, Artesia, NM 88211-0719

DISTRICT III
1000 Rio Brazos Rd., Artesia, NM 87410

DISTRICT IV
P.O. BOX 2088, SANTA FE, N.M. 87504-2088

State of New Mexico
Energy, Minerals and Natural Resources Department

OIL CONSERVATION DIVISION
P.O. Box 2088
Santa Fe, New Mexico 87504-2088

Form C-102
Revised February 10, 1994
Submit to Appropriate District Office
State Lease - 4 Copies
Fee Lease - 3 Copies

WELL LOCATION AND ACREAGE DEDICATION PLAT

AMENDED REPORT

API Number 30-025-35404	Pool Code 22900	Pool Name Eunice;Bli-Tu-Dr, North
Property Code 22503	Property Name N.E.D.U.	Well Number 333
OGRID No. 873	Operator Name APACHE CORPORATION	Elevation 3467'

Surface Location

UL or lot No.	Section	Township	Range	Lot Idn	Feet from the	North/South line	Feet from the	East/West line	County
V	2	21S	37E		1209	SOUTH	1463	WEST	LEA

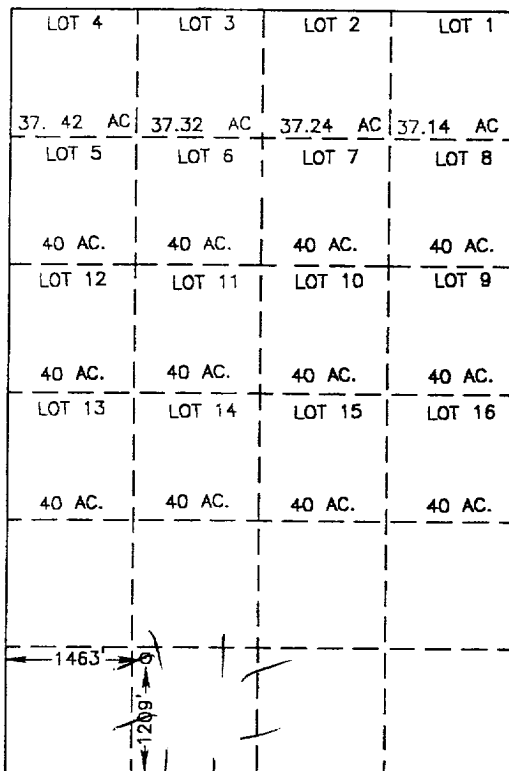
Bottom Hole Location If Different From Surface

UL or lot No.	Section	Township	Range	Lot Idn	Feet from the	North/South line	Feet from the	East/West line	County

Dedicated Acres 40	Joint or Infill	Consolidation Code	Order No.
-----------------------	-----------------	--------------------	-----------

NO ALLOWABLE WILL BE ASSIGNED TO THIS COMPLETION UNTIL ALL INTERESTS HAVE BEEN CONSOLIDATED OR A NON-STANDARD UNIT HAS BEEN APPROVED BY THE DIVISION

SPC NME
NAD 1927
N=549247
E=868662



SCALE: 1" = 2000'

OPERATOR CERTIFICATION

I hereby certify the the information contained herein is true and complete to the best of my knowledge and belief.

Everett Ouzts
Signature
Everett Ouzts
Printed Name
Eng. Tech.
Title
02/01/2001
Date

SURVEYOR CERTIFICATION

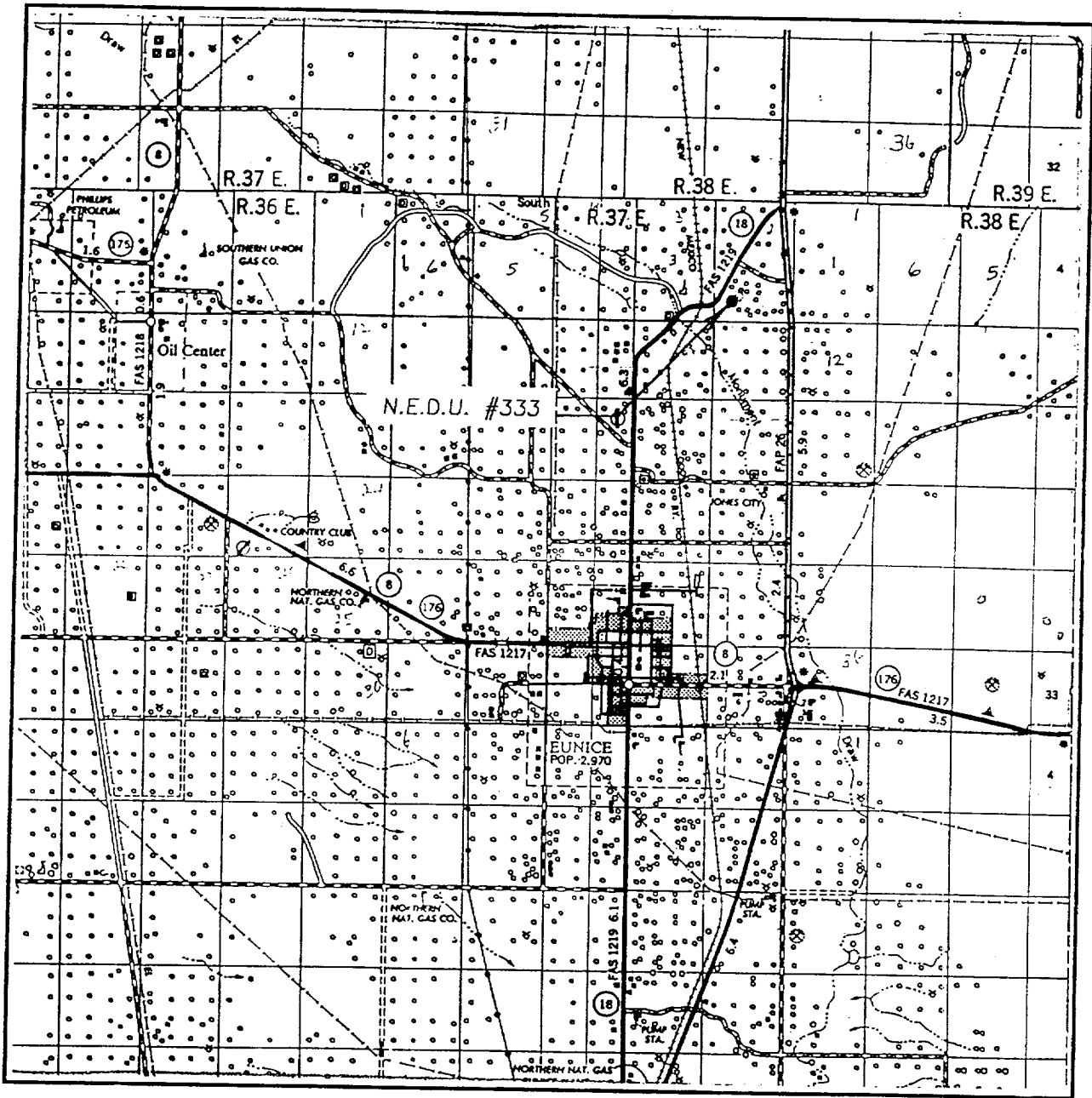
I hereby certify that the well location shown on this plat was plotted from field notes of actual surveys made by me or under my supervision and that the same is true and correct to the best of my belief.

JANUARY 18, 2001
Date Surveyed
AWB
Signature & Seal of Professional Surveyor

Ronald J. Eidson 01/24/01
00-11-1403

Certificate No. RONALD J. EIDSON 3239
GARY EIDSON 12641

VICINITY MAP

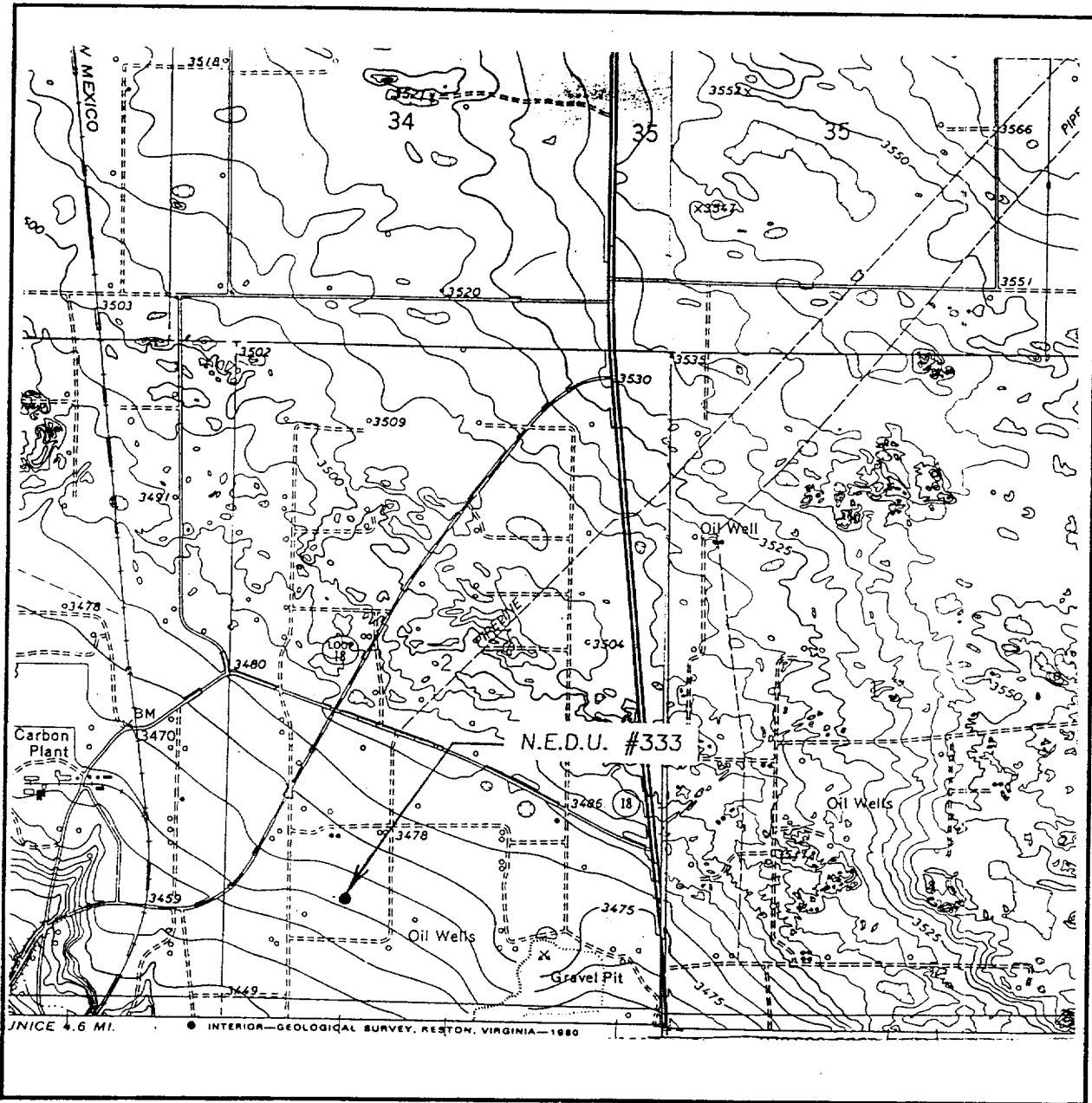


SCALE: 1" = 2 MILES

SEC. 2 TWP. 21-S RGE. 37-E
 SURVEY N.M.P.M.
 COUNTY LEA
 DESCRIPTION 1209'FSL & 1463'FWL
 ELEVATION 3467'
 OPERATOR APACHE CORPORATION
 LEASE N.E.D.U.

JOHN WEST SURVEYING
 HOBBS, NEW MEXICO
 (505) 393-3117

LOCATION VERIFICATION MAP



SCALE: 1" = 2000'

CONTOUR INTERVAL: 5'
HOBBS SW, N.M.

SEC. 2 TWP. 21-S RGE. 37-E

SURVEY _____ N.M.P.M. _____

COUNTY _____ LEA _____

DESCRIPTION 1209'FSL & 1463'FWL

ELEVATION _____ 3467' _____

OPERATOR APACHE CORPORATION

LEASE _____ N.E.D.U. _____

U.S.G.S. TOPOGRAPHIC MAP
HOBBS SW, N.M.

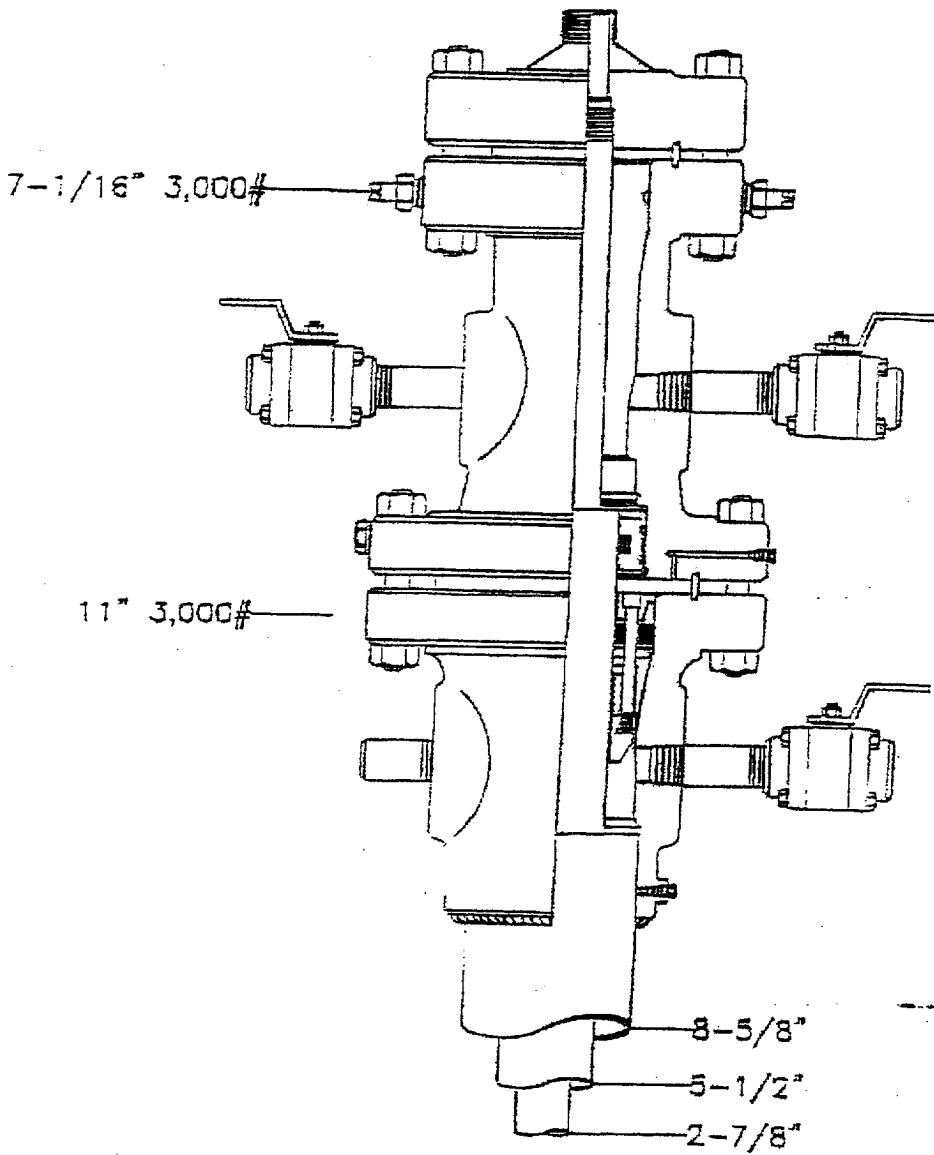
JOHN WEST SURVEYING
HOBBS, NEW MEXICO
(505) 393-3117

Alucene Corporation

Northeast Drinkard Unit

LEA COUNTY, NEW MEXICO

DATE	DESIGNED BY	CHECKED BY	DATE
4/23/78	W. J. ...	W. J. ...	4/23/78



IF

8/10/01
ABOVE DATE DOES NOT
INDICATE WHEN
CONFIDENTIAL LOSS
WILL BE RELEASED