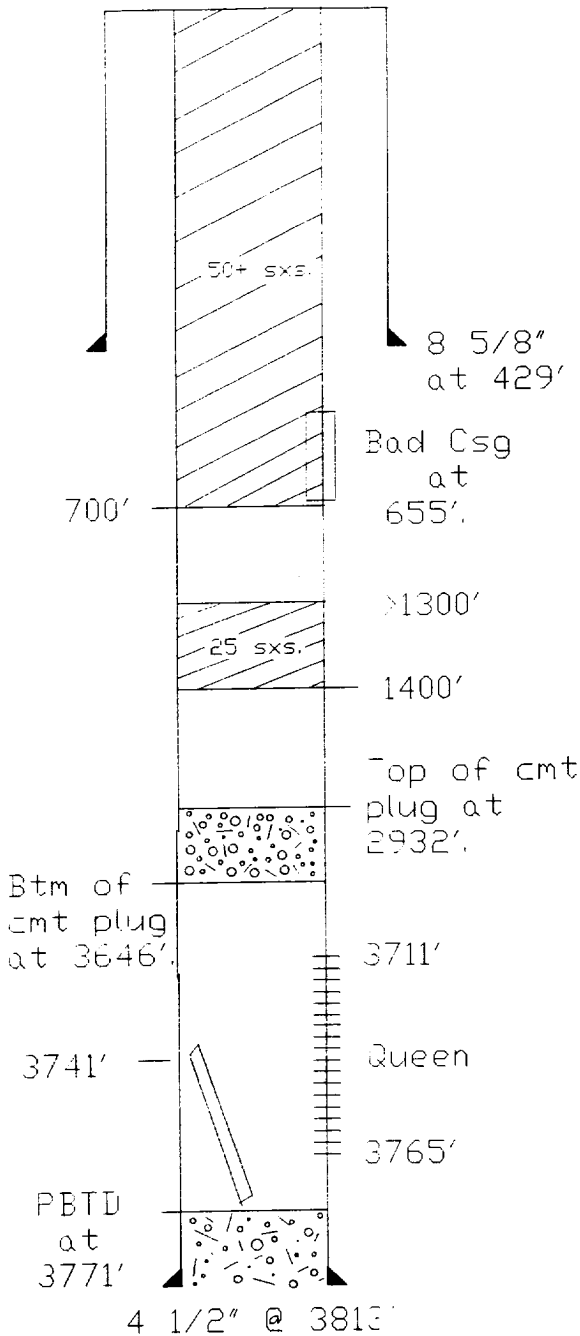


PROPOSED PLUGGING METHOD

S. E. 7-R. Q. UNIT WELL NO. 420
 SOUTH EUNICE FIELD
 Unit I, 1980' FSL & 660' FEL
 Section 26, T-22S, R-36E
 Lea County, New Mexico

TD: 3814' PBD: 2932'
 KB: 3467' GL: 3456'



SURFACE: 8 5/8" set at 429' cmt'd
 w/ 300sxs to surface.

PRODUCTION: 4 1/2", 9.5#/ft, set
 at 3813'. Cemented with 900 sxs.
 TOC at 235'.

TUBING: 2 3/8", 4.7 #/ft, J-55, IPC
 tubing, +/- 2900'.

PRESENT COMPLETIONS:

Queen: 3711-3765' OA with 32 holes.

HISTORY:

Drilled and completed 8/61 as Queen oil producer from
 perms 3730-3765' OA with 24 holes. IPF 337 BOPD and
 0 BOPD. 9/75, Perfed 3711-12, 16-17' w/4 SPF. Placed
 on injection.