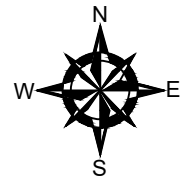
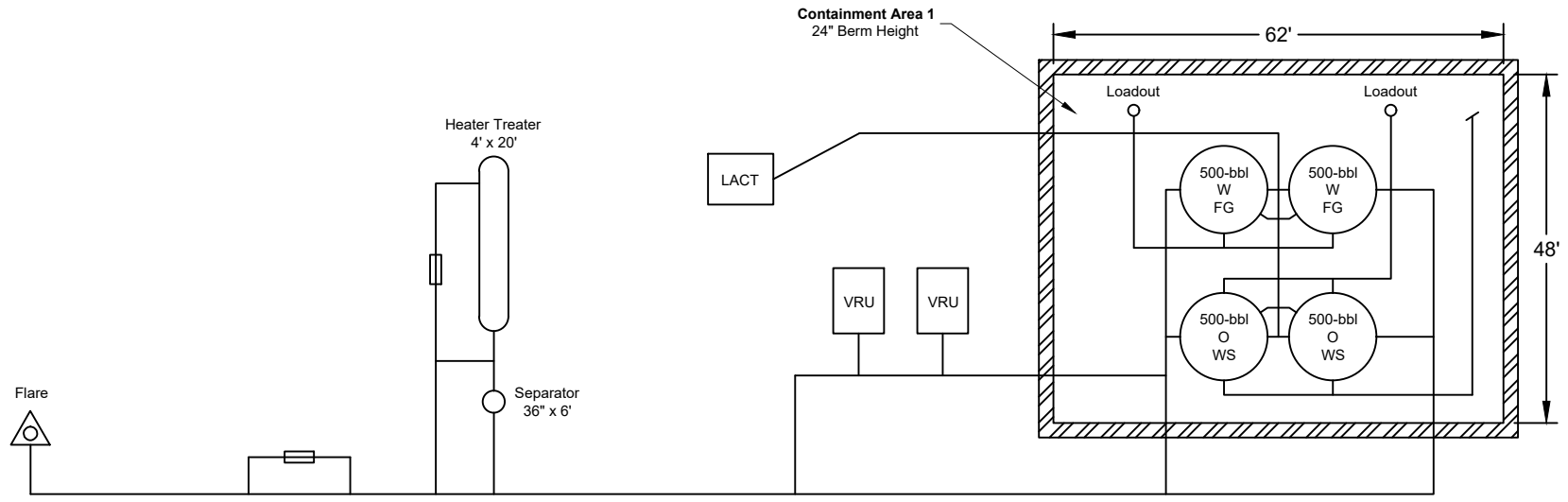


LEGEND:

- Aboveground Flowline
- Meter
- ▨ Corrugated Steel Berm
- FG Fiberglass
- WS Welded Steel
- Oil
- Water
- VRU Vapor Recovery Unit
- LACT Lease Automated Custody Transfer



Ocotillo 6-31 State Com
WCB No. 2H Wellhead
⊗



SITE PLAT		
SPILL PREVENTION CONTROL & COUNTERMEASURE PLAN		
CHISHOLM ENERGY OPERATING, LLC OCOTILLO 6-31 STATE COM TANK BATTERY EDDY COUNTY, NEW MEXICO		
SCALE: Not to Scale	DATE: 08/22/2019	PROJECT #: 192024

New Tech Global Environmental, LLC
 911 Regional Park Drive
 Houston, Texas 77060
 T - 281.872.9300
 F - 281.872.4521
 Web - www.ntglobal.com

NOTES:

1. Site Coordinates (NAD 83): 32.32694, -104.32823

DRAWING NUMBER:
FIGURE 1

SHEET NUMBER:
1 of 1

District I
 1625 N. French Dr., Hobbs, NM 88240
 Phone:(575) 393-6161 Fax:(575) 393-0720
District II
 811 S. First St., Artesia, NM 88210
 Phone:(575) 748-1283 Fax:(575) 748-9720
District III
 1000 Rio Brazos Rd., Aztec, NM 87410
 Phone:(505) 334-6178 Fax:(505) 334-6170
District IV
 1220 S. St Francis Dr., Santa Fe, NM 87505
 Phone:(505) 476-3470 Fax:(505) 476-3462

State of New Mexico
Energy, Minerals and Natural Resources
Oil Conservation Division
1220 S. St Francis Dr.
Santa Fe, NM 87505

QUESTIONS

Action 44543

QUESTIONS

Operator: CHISHOLM ENERGY OPERATING, LLC 801 Cherry Street Fort Worth, TX 76102	OGRID: 372137
	Action Number: 44543
	Action Type: [UF-FAC] TB Registration (TB-REG)

QUESTIONS

Facility Details	
<i>Please answer all of the questions in this group.</i>	
Name of the facility	OCOTILLO 6-31 STATE COM BATTERY
Date the facility was opened	Not answered.
Depth to ground water, if known	Not answered.

Verification	
Does the operator have other facilities with a matching name	No
Are there other facilities located within approximately 50 feet	No

District I
 1625 N. French Dr., Hobbs, NM 88240
 Phone:(575) 393-6161 Fax:(575) 393-0720

District II
 811 S. First St., Artesia, NM 88210
 Phone:(575) 748-1283 Fax:(575) 748-9720

District III
 1000 Rio Brazos Rd., Aztec, NM 87410
 Phone:(505) 334-6178 Fax:(505) 334-6170

District IV
 1220 S. St Francis Dr., Santa Fe, NM 87505
 Phone:(505) 476-3470 Fax:(505) 476-3462

State of New Mexico
Energy, Minerals and Natural Resources
Oil Conservation Division
1220 S. St Francis Dr.
Santa Fe, NM 87505

ACKNOWLEDGMENTS

Action 44543

ACKNOWLEDGMENTS

Operator: CHISHOLM ENERGY OPERATING, LLC 801 Cherry Street Fort Worth, TX 76102	OGRID: 372137
	Action Number: 44543
	Action Type: [UF-FAC] TB Registration (TB-REG)

ACKNOWLEDGMENTS

<input checked="" type="checkbox"/>	I certify that I am authorized to register a facility on behalf of the responsible operator.
<input checked="" type="checkbox"/>	I certify that I will notify OCD of any changes of ownership for this facility.
<input checked="" type="checkbox"/>	I certify that I will notify OCD when this facility is closed.