



**FESCO, Ltd.**  
**1100 Fesco Ave. - Alice, Texas 78332**

**For:** Ameredev Operating, LLC  
 2901 Via Fortuna  
 Austin, Texas 78746

**Sample:** Wool Head Pad B Battery  
 Sales Gas Meter Run  
 Spot Gas Sample @ 55 psig & 91°F

Date Sampled: 04/11/2022

Job Number: 221750.018

**CHROMATOGRAPH EXTENDED ANALYSIS - GPA 2286**

COMPONENT	Un-Normalized		
	Mol%	MOL%	GPM
Hydrogen Sulfide*		< 0.001	
Nitrogen	2.552	2.582	
Carbon Dioxide	0.290	0.294	
Methane	71.785	72.619	
Ethane	12.498	12.644	3.463
Propane	6.521	6.597	1.861
Isobutane	0.796	0.805	0.270
n-Butane	2.164	2.189	0.707
2-2 Dimethylpropane	0.007	0.007	0.003
Isopentane	0.496	0.502	0.188
n-Pentane	0.586	0.593	0.220
Hexanes	0.448	0.460	0.194
Heptanes Plus	<u>0.707</u>	<u>0.708</u>	<u>0.291</u>
	98.850	100.000	7.197

**Computed Real Characteristics Of Heptanes Plus:**

Specific Gravity -----	3.308	(Air=1)
Molecular Weight -----	95.41	
Gross Heating Value -----	5154	BTU/CF

**Computed Real Characteristics Of Total Sample:**

Specific Gravity -----	0.791	(Air=1)
Compressibility (Z) -----	0.9957	
Molecular Weight -----	22.82	
Gross Heating Value		
Dry Basis -----	1358	BTU/CF
Saturated Basis -----	1335	BTU/CF

\*Hydrogen Sulfide tested on location by: Stain Tube Method (GPA 2377)  
 0.252 Gr/100 CF, 4.0 PPMV or 0.0004 Mol%

Base Conditions: 15.025 PSI & 60 Deg F

Sampled By: (24) DM  
 Analyst: RG  
 Processor: HB  
 Cylinder ID: T-3574

Certified: FESCO, Ltd. - Alice, Texas

Conan Pierce 361-661-7015

**CHROMATOGRAPH EXTENDED ANALYSIS - GPA 2286  
TOTAL REPORT**

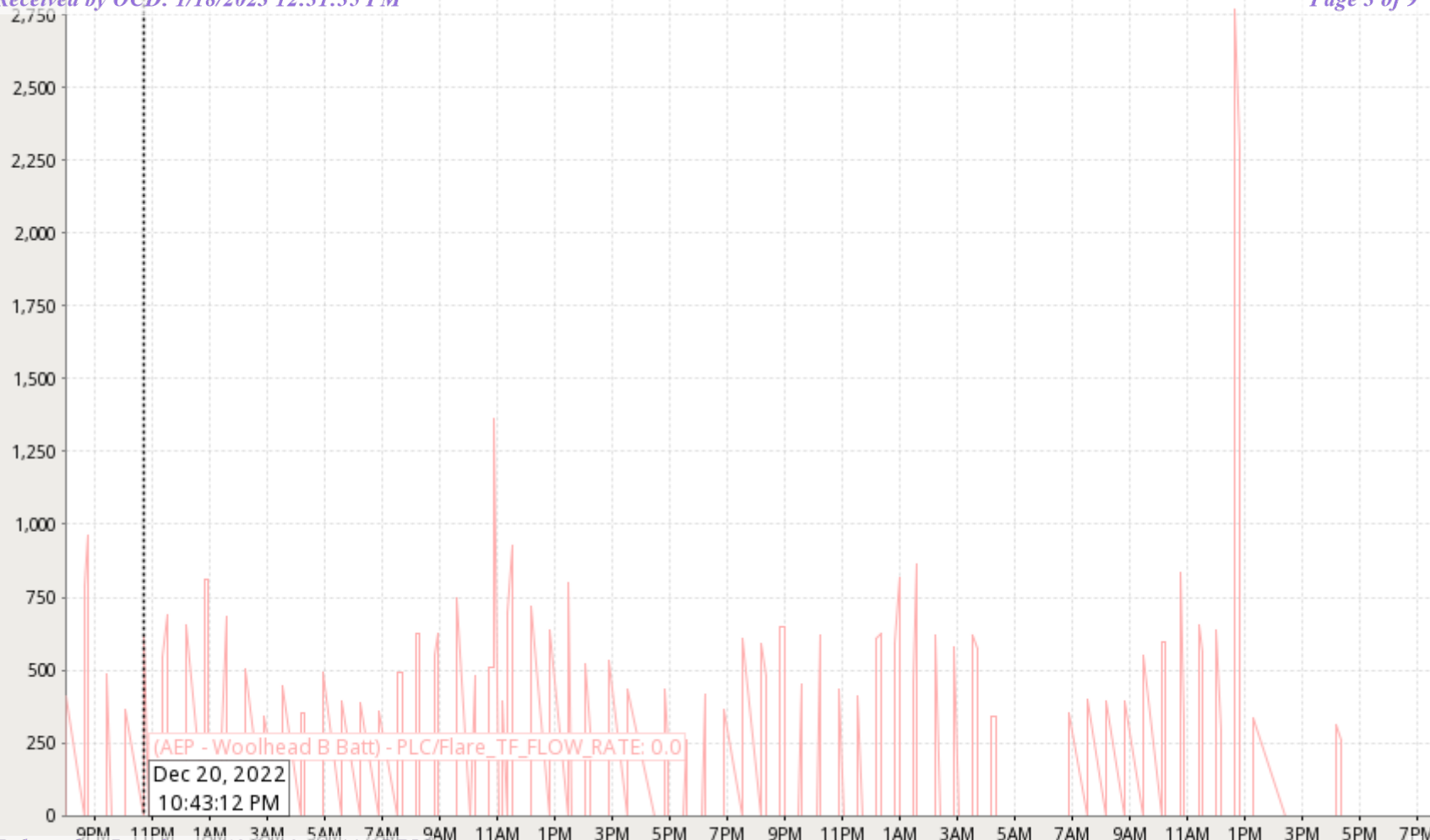
COMPONENT	MOL %	GPM	WT %
Hydrogen Sulfide*	< 0.001		< 0.001
Nitrogen	2.582		3.170
Carbon Dioxide	0.294		0.567
Methane	72.619		51.048
Ethane	12.644	3.463	16.660
Propane	6.597	1.861	12.747
Isobutane	0.805	0.270	2.050
n-Butane	2.189	0.707	5.575
2,2 Dimethylpropane	0.007	0.003	0.022
Isopentane	0.502	0.188	1.587
n-Pentane	0.593	0.220	1.875
2,2 Dimethylbutane	0.005	0.002	0.019
Cyclopentane	0.000	0.000	0.000
2,3 Dimethylbutane	0.053	0.022	0.200
2 Methylpentane	0.137	0.058	0.517
3 Methylpentane	0.077	0.032	0.291
n-Hexane	0.188	0.079	0.710
Methylcyclopentane	0.100	0.036	0.369
Benzene	0.048	0.014	0.164
Cyclohexane	0.120	0.042	0.443
2-Methylhexane	0.025	0.012	0.110
3-Methylhexane	0.029	0.014	0.127
2,2,4 Trimethylpentane	0.000	0.000	0.000
Other C7's	0.084	0.037	0.365
n-Heptane	0.061	0.029	0.268
Methylcyclohexane	0.095	0.039	0.409
Toluene	0.027	0.009	0.109
Other C8's	0.070	0.033	0.338
n-Octane	0.018	0.009	0.090
Ethylbenzene	0.001	0.000	0.005
M & P Xylenes	0.004	0.002	0.019
O-Xylene	0.001	0.000	0.005
Other C9's	0.019	0.010	0.105
n-Nonane	0.003	0.002	0.017
Other C10's	0.003	0.002	0.019
n-Decane	0.000	0.000	0.000
Undecanes (11)	<u>0.000</u>	<u>0.000</u>	<u>0.000</u>
Totals	100.000	7.197	100.000

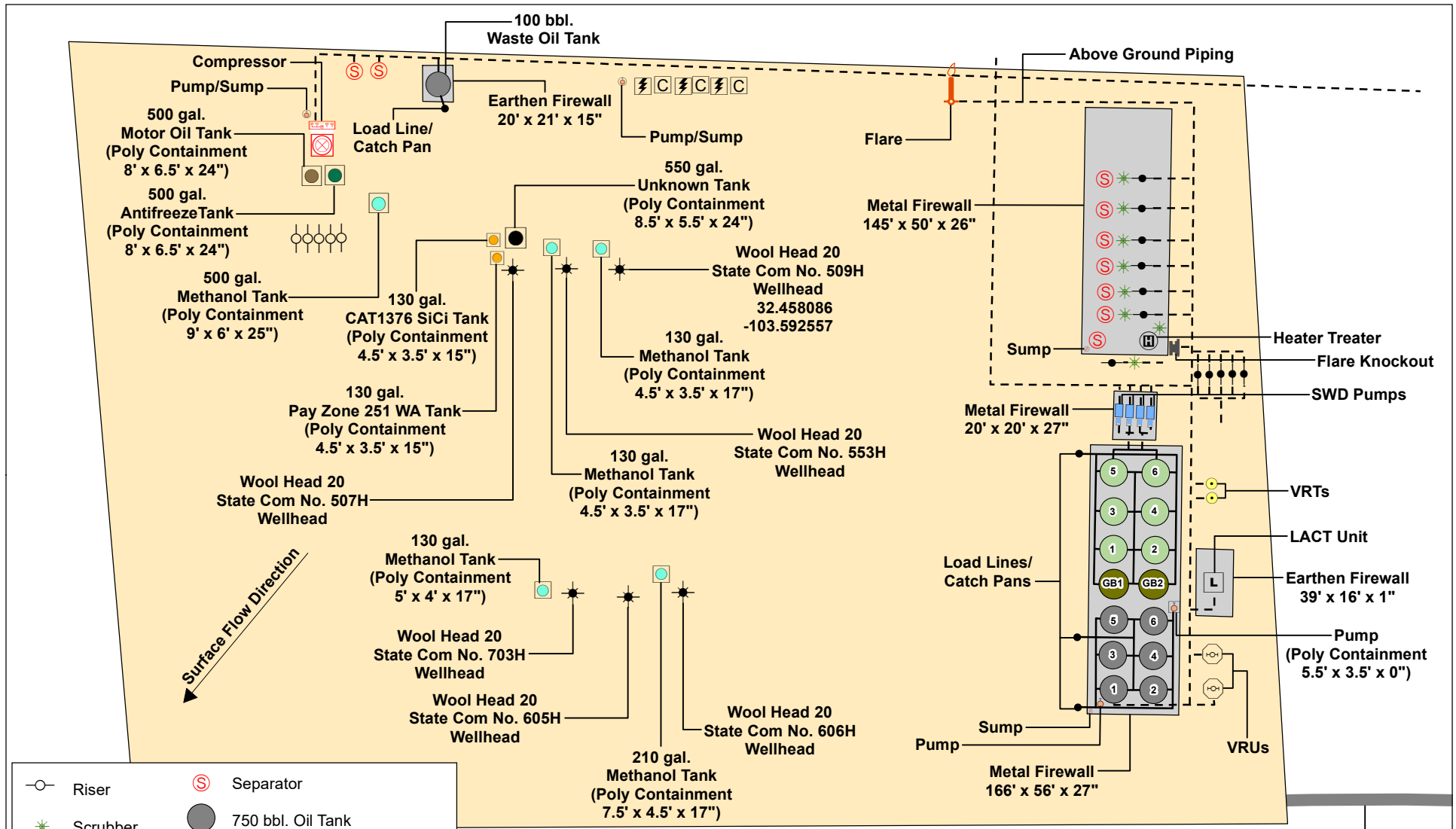
**Computed Real Characteristics Of Total Sample:**

Specific Gravity -----	0.791	(Air=1)
Compressibility (Z) -----	0.9957	
Molecular Weight -----	22.82	
Gross Heating Value		
Dry Basis -----	1358	BTU/CF
Saturated Basis -----	1335	BTU/CF

<b>Sample Date:</b> 04/11/2022	<b>Ambient Air Temp:</b> 82 °F
<b>Sample Time:</b> 17:25	<b>Heating Method Utilized:</b> Yes
<b>Analysis Date:</b> 04/20/2022	<b>Sampling Method:</b> Fill & Empty
<b>Analysis Time:</b> 07:37	<b>Device:</b> (GC) S15
<b>Sample Pressure:</b> 55 psig	<b>Make &amp; Model:</b> Shimadzu GC 2014
<b>Sample Temp:</b> 91 °F	<b>Last Verification Date:</b> 04/14/2022
<b>Sampling Flow Rate:</b> 3649 MCF/D	

MCFD





\* Underground Piping Not Shown

	<p><b>SITE PLAN</b> Wool Head Pad B Battery Lea County, NM</p>			
Advance Energy Partners Hat Mesa, LLC	Project Number: 049023.00	Date: 05/18/2021	Coordinate System: NAD 1983 UTM Zone 13 North	1501 Bill Owens Parkway Longview, TX 75604 Phone: (903) 297-4673 www.sphere3env.com

**District I**  
 1625 N. French Dr., Hobbs, NM 88240  
 Phone:(575) 393-6161 Fax:(575) 393-0720

**District II**  
 811 S. First St., Artesia, NM 88210  
 Phone:(575) 748-1283 Fax:(575) 748-9720

**District III**  
 1000 Rio Brazos Rd., Aztec, NM 87410  
 Phone:(505) 334-6178 Fax:(505) 334-6170

**District IV**  
 1220 S. St Francis Dr., Santa Fe, NM 87505  
 Phone:(505) 476-3470 Fax:(505) 476-3462

**State of New Mexico**  
**Energy, Minerals and Natural Resources**  
**Oil Conservation Division**  
**1220 S. St Francis Dr.**  
**Santa Fe, NM 87505**

DEFINITIONS

Action 177089

**DEFINITIONS**

Operator: ADVANCE ENERGY PARTNERS HAT MESA, LLC 11490 Westheimer Rd., Ste 950 Houston, TX 77077	OGRID: 372417
	Action Number: 177089
	Action Type: [C-129] Venting and/or Flaring (C-129)

**DEFINITIONS**

For the sake of brevity and completeness, please allow for the following in all groups of questions and for the rest of this application:

- this application's operator, hereinafter "this operator";
- venting and/or flaring, hereinafter "vent or flare";
- any notification or report(s) of the C-129 form family, hereinafter "any C-129 forms";
- the statements in (and/or attached to) this, hereinafter "the statements in this";
- and the past tense will be used in lieu of mixed past/present tense questions and statements.

**District I**  
 1625 N. French Dr., Hobbs, NM 88240  
 Phone:(575) 393-6161 Fax:(575) 393-0720  
**District II**  
 811 S. First St., Artesia, NM 88210  
 Phone:(575) 748-1283 Fax:(575) 748-9720  
**District III**  
 1000 Rio Brazos Rd., Aztec, NM 87410  
 Phone:(505) 334-6178 Fax:(505) 334-6170  
**District IV**  
 1220 S. St Francis Dr., Santa Fe, NM 87505  
 Phone:(505) 476-3470 Fax:(505) 476-3462

**State of New Mexico**  
**Energy, Minerals and Natural Resources**  
**Oil Conservation Division**  
**1220 S. St Francis Dr.**  
**Santa Fe, NM 87505**

QUESTIONS

Action 177089

**QUESTIONS**

Operator: ADVANCE ENERGY PARTNERS HAT MESA, LLC 11490 Westheimer Rd., Ste 950 Houston, TX 77077	OGRID: 372417
	Action Number: 177089
	Action Type: [C-129] Venting and/or Flaring (C-129)

**QUESTIONS**

<b>Prerequisites</b>	
<i>Any messages presented in this section, will prevent submission of this application. Please resolve these issues before continuing with the rest of the questions.</i>	
Incident Well	Unavailable.
Incident Facility	[fAPP2130029392] Woolhead Pad B Battery

<b>Determination of Reporting Requirements</b>	
<i>Answer all questions that apply. The Reason(s) statements are calculated based on your answers and may provide additional guidance.</i>	
Was this vent or flare caused by an emergency or malfunction	Yes
Did this vent or flare last eight hours or more cumulatively within any 24-hour period from a single event	Yes
Is this considered a submission for a vent or flare event	Yes, minor venting and/or flaring of natural gas.
<i>An operator shall file a form C-141 instead of a form C-129 for a release that, includes liquid during venting and/or flaring that is or may be a major or minor release under 19.15.29.7 NMAC.</i>	
Was there at least 50 MCF of natural gas vented and/or flared during this event	Yes
Did this vent or flare result in the release of ANY liquids (not fully and/or completely flared) that reached (or has a chance of reaching) the ground, a surface, a watercourse, or otherwise, with reasonable probability, endanger public health, the environment or fresh water	No
Was the vent or flare within an incorporated municipal boundary or within 300 feet from an occupied permanent residence, school, hospital, institution or church in existence	No

<b>Equipment Involved</b>	
Primary Equipment Involved	Not answered.
Additional details for Equipment Involved. Please specify	Not answered.

<b>Representative Compositional Analysis of Vented or Flared Natural Gas</b>	
<i>Please provide the mole percent for the percentage questions in this group.</i>	
Methane (CH4) percentage	73
Nitrogen (N2) percentage, if greater than one percent	3
Hydrogen Sulfide (H2S) PPM, rounded up	0
Carbon Dioxide (CO2) percentage, if greater than one percent	0
Oxygen (O2) percentage, if greater than one percent	0
<i>If you are venting and/or flaring because of Pipeline Specification, please provide the required specifications for each gas.</i>	
Methane (CH4) percentage quality requirement	Not answered.
Nitrogen (N2) percentage quality requirement	Not answered.
Hydrogen Sulfide (H2S) PPM quality requirement	Not answered.
Carbon Dioxide (CO2) percentage quality requirement	Not answered.
Oxygen (O2) percentage quality requirement	Not answered.

**District I**  
 1625 N. French Dr., Hobbs, NM 88240  
 Phone:(575) 393-6161 Fax:(575) 393-0720

**District II**  
 811 S. First St., Artesia, NM 88210  
 Phone:(575) 748-1283 Fax:(575) 748-9720

**District III**  
 1000 Rio Brazos Rd., Aztec, NM 87410  
 Phone:(505) 334-6178 Fax:(505) 334-6170

**District IV**  
 1220 S. St Francis Dr., Santa Fe, NM 87505  
 Phone:(505) 476-3470 Fax:(505) 476-3462

**State of New Mexico**  
**Energy, Minerals and Natural Resources**  
**Oil Conservation Division**  
**1220 S. St Francis Dr.**  
**Santa Fe, NM 87505**

QUESTIONS, Page 2

Action 177089

**QUESTIONS (continued)**

Operator: ADVANCE ENERGY PARTNERS HAT MESA, LLC 11490 Westheimer Rd., Ste 950 Houston, TX 77077	OGRID: 372417
	Action Number: 177089
	Action Type: [C-129] Venting and/or Flaring (C-129)

**QUESTIONS**

Date(s) and Time(s)	
Date vent or flare was discovered or commenced	12/21/2022
Time vent or flare was discovered or commenced	12:00 AM
Time vent or flare was terminated	11:59 PM
Cumulative hours during this event	24

Measured or Estimated Volume of Vented or Flared Natural Gas	
Natural Gas Vented (Mcf) Details	Not answered.
Natural Gas Flared (Mcf) Details	Cause: High Line Pressure   Gas Compressor Station   Natural Gas Flared   Released: 62 Mcf   Recovered: 0 Mcf   Lost: 62 Mcf.
Other Released Details	Not answered.
Additional details for Measured or Estimated Volume(s). Please specify	Not answered.
Is this a gas only submission (i.e. only significant Mcf values reported)	Yes, according to supplied volumes this appears to be a "gas only" report.

Venting or Flaring Resulting from Downstream Activity	
Was this vent or flare a result of downstream activity	Yes
Was notification of downstream activity received by this operator	No
Downstream OGRID that should have notified this operator	[330291] 3 Bear Energy-Cottonwood, LLC
Date notified of downstream activity requiring this vent or flare	Not answered.
Time notified of downstream activity requiring this vent or flare	Not answered.

Steps and Actions to Prevent Waste	
For this event, this operator could not have reasonably anticipated the current event and it was beyond this operator's control.	True
Please explain reason for why this event was beyond this operator's control	Our gas buyer shut us in due to gas takeaway issue.
Steps taken to limit the duration and magnitude of vent or flare	We choked back the well to limit production.
Corrective actions taken to eliminate the cause and reoccurrence of vent or flare	We are looking for alternative so that we don't fully depend on one single gas buyer option.

**District I**  
 1625 N. French Dr., Hobbs, NM 88240  
 Phone:(575) 393-6161 Fax:(575) 393-0720  
**District II**  
 811 S. First St., Artesia, NM 88210  
 Phone:(575) 748-1283 Fax:(575) 748-9720  
**District III**  
 1000 Rio Brazos Rd., Aztec, NM 87410  
 Phone:(505) 334-6178 Fax:(505) 334-6170  
**District IV**  
 1220 S. St Francis Dr., Santa Fe, NM 87505  
 Phone:(505) 476-3470 Fax:(505) 476-3462

**State of New Mexico**  
**Energy, Minerals and Natural Resources**  
**Oil Conservation Division**  
**1220 S. St Francis Dr.**  
**Santa Fe, NM 87505**

ACKNOWLEDGMENTS

Action 177089

**ACKNOWLEDGMENTS**

Operator: ADVANCE ENERGY PARTNERS HAT MESA, LLC 11490 Westheimer Rd., Ste 950 Houston, TX 77077	OGRID: 372417
	Action Number: 177089
	Action Type: [C-129] Venting and/or Flaring (C-129)

**ACKNOWLEDGMENTS**

<input checked="" type="checkbox"/>	I acknowledge that I am authorized to submit a <i>Venting and/or Flaring</i> (C-129) report on behalf of this operator and understand that this report can be a <b>complete</b> C-129 submission per 19.15.27.8 and 19.15.28.8 NMAC.
<input checked="" type="checkbox"/>	I acknowledge that upon submitting this application, I will be creating a new incident file (assigned to this operator) to track any C-129 forms, pursuant to 19.15.27.7 and 19.15.28.8 NMAC and understand that this submission meets the notification requirements of Paragraph (1) of Subsection G and F respectively.
<input checked="" type="checkbox"/>	I hereby certify the statements in this report are true and correct to the best of my knowledge and acknowledge that any false statement may be subject to civil and criminal penalties under the Oil and Gas Act.
<input checked="" type="checkbox"/>	I acknowledge that the acceptance of any C-129 forms by the OCD does not relieve this operator of liability should their operations have failed to adequately investigate, report, and remediate contamination that poses a threat to groundwater, surface water, human health, or the environment.
<input checked="" type="checkbox"/>	I acknowledge that OCD acceptance of any C-129 forms does not relieve this operator of responsibility for compliance with any other applicable federal, state, or local laws and/or regulations.



**District I**  
 1625 N. French Dr., Hobbs, NM 88240  
 Phone:(575) 393-6161 Fax:(575) 393-0720

**District II**  
 811 S. First St., Artesia, NM 88210  
 Phone:(575) 748-1283 Fax:(575) 748-9720

**District III**  
 1000 Rio Brazos Rd., Aztec, NM 87410  
 Phone:(505) 334-6178 Fax:(505) 334-6170

**District IV**  
 1220 S. St Francis Dr., Santa Fe, NM 87505  
 Phone:(505) 476-3470 Fax:(505) 476-3462

**State of New Mexico**  
**Energy, Minerals and Natural Resources**  
**Oil Conservation Division**  
**1220 S. St Francis Dr.**  
**Santa Fe, NM 87505**

CONDITIONS

Action 177089

**CONDITIONS**

Operator: ADVANCE ENERGY PARTNERS HAT MESA, LLC 11490 Westheimer Rd., Ste 950 Houston, TX 77077	OGRID: 372417
	Action Number: 177089
	Action Type: [C-129] Venting and/or Flaring (C-129)

**CONDITIONS**

Created By	Condition	Condition Date
cescayu	If the information provided in this report requires an amendment, submit a [C-129] Amend Venting and/or Flaring Incident (C-129A), utilizing your incident number from this event.	1/18/2023