

Form 3160-3
(June 2015)

FORM APPROVED
OMB No. 1004-0137
Expires: January 31, 2018

UNITED STATES
DEPARTMENT OF THE INTERIOR
BUREAU OF LAND MANAGEMENT
APPLICATION FOR PERMIT TO DRILL OR REENTER

1a. Type of work: <input type="checkbox"/> DRILL <input type="checkbox"/> REENTER		5. Lease Serial No.
1b. Type of Well: <input type="checkbox"/> Oil Well <input type="checkbox"/> Gas Well <input type="checkbox"/> Other		6. If Indian, Allottee or Tribe Name
1c. Type of Completion: <input type="checkbox"/> Hydraulic Fracturing <input type="checkbox"/> Single Zone <input type="checkbox"/> Multiple Zone		7. If Unit or CA Agreement, Name and No.
2. Name of Operator		8. Lease Name and Well No.
3a. Address		9. API Well No. 30-015-54096
3b. Phone No. (include area code)		10. Field and Pool, or Exploratory
4. Location of Well (Report location clearly and in accordance with any State requirements. *) At surface At proposed prod. zone		11. Sec., T. R. M. or Blk. and Survey or Area
14. Distance in miles and direction from nearest town or post office*		12. County or Parish
		13. State
15. Distance from proposed* location to nearest property or lease line, ft. (Also to nearest drig. unit line, if any)	16. No of acres in lease	17. Spacing Unit dedicated to this well
18. Distance from proposed location* to nearest well, drilling, completed, applied for, on this lease, ft.	19. Proposed Depth	20. BLM/BIA Bond No. in file
21. Elevations (Show whether DF, KDB, RT, GL, etc.)	22. Approximate date work will start*	23. Estimated duration
24. Attachments		

The following, completed in accordance with the requirements of Onshore Oil and Gas Order No. 1, and the Hydraulic Fracturing rule per 43 CFR 3162.3-3 (as applicable)

- | | |
|---|---|
| <ul style="list-style-type: none"> 1. Well plat certified by a registered surveyor. 2. A Drilling Plan. 3. A Surface Use Plan (if the location is on National Forest System Lands, the SUPO must be filed with the appropriate Forest Service Office). | <ul style="list-style-type: none"> 4. Bond to cover the operations unless covered by an existing bond on file (see Item 20 above). 5. Operator certification. 6. Such other site specific information and/or plans as may be requested by the BLM. |
|---|---|

25. Signature	Name (Printed/Typed)	Date
Title		
Approved by (Signature)	Name (Printed/Typed)	Date
Title		Office

Application approval does not warrant or certify that the applicant holds legal or equitable title to those rights in the subject lease which would entitle the applicant to conduct operations thereon.
Conditions of approval, if any, are attached.

Title 18 U.S.C. Section 1001 and Title 43 U.S.C. Section 1212, make it a crime for any person knowingly and willfully to make to any department or agency of the United States any false, fictitious or fraudulent statements or representations as to any matter within its jurisdiction.



(Continued on page 2)

*(Instructions on page 2)

Additional Operator Remarks

Location of Well

0. SHL: NENW / 361 FNL / 2595 FWL / TWSP: 24S / RANGE: 31E / SECTION: 8 / LAT: 32.2381219 / LONG: -103.7999924 (TVD: 0 feet, MD: 0 feet)
PPP: NWNE / 100 FNL / 2585 FEL / TWSP: 24S / RANGE: 31E / SECTION: 8 / LAT: 32.2388389 / LONG: -103.7996832 (TVD: 12231 feet, MD: 12607 feet)
PPP: NWNE / 3 FNL / 2585 FEL / TWSP: 24S / RANGE: 31E / SECTION: 17 / LAT: 32.224589 / LONG: -103.799665 (TVD: 12267 feet, MD: 17597 feet)
BHL: SWSE / 20 FSL / 2585 FEL / TWSP: 24S / RANGE: 31E / SECTION: 17 / LAT: 32.2101304 / LONG: -103.7996523 (TVD: 12305 feet, MD: 22857 feet)

BLM Point of Contact

Name: TENILLE C MOLINA
Title: Land Law Examiner
Phone: (575) 234-2224
Email: TCMOLINA@BLM.GOV

CONFIDENTIAL

District I
1625 N. French Dr., Hobbs, NM 88240
Phone: (575) 393-6161 Fax: (575) 393-0720
District II
811 S. First St., Artesia, NM 88210
Phone: (575) 748-1283 Fax: (575) 748-9720
District III
1000 Rio Brazos Road, Aztec, NM 87410
Phone: (505) 334-6178 Fax: (505) 334-6170
District IV
1220 S. St. Francis Dr., Santa Fe, NM 87505
Phone: (505) 476-3460 Fax: (505) 476-3462

State of New Mexico
Energy, Minerals & Natural Resources Department
OIL CONSERVATION DIVISION
1220 South St. Francis Dr.
Santa Fe, NM 87505

Form C-102
Revised August 1, 2011
Submit one copy to appropriate
District Office
 AMENDED REPORT

WELL LOCATION AND ACREAGE DEDICATION PLAT

¹ API Number 30-015-54096		² Pool Code 98220		³ Pool Name PURPLE SAGE; WOLFCAMP	
⁴ Property Code 334580		⁵ Property Name CHUCK SMITH MDP1 8_17 FED COM			⁶ Well Number 3H
⁷ OGRID No. 16696		⁸ Operator Name OXY USA INC.			⁹ Elevation 3470'

¹⁰ Surface Location

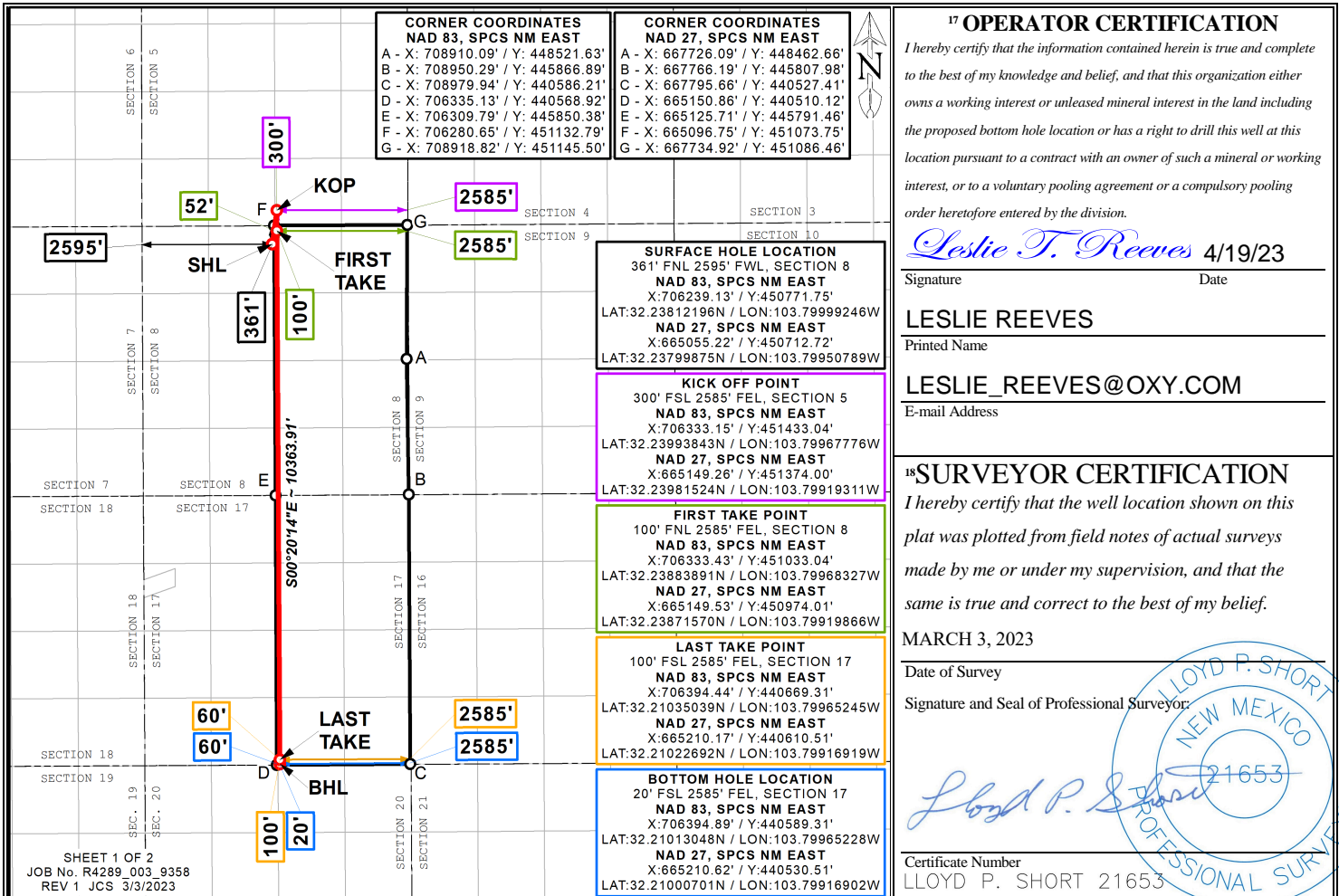
UL or lot no.	Section	Township	Range	Lot Idn	Feet from the	North/South line	Feet from the	East/West line	County
C	8	24S	31E		361	NORTH	2595	WEST	EDDY

¹¹ Bottom Hole Location If Different From Surface

UL or lot no.	Section	Township	Range	Lot Idn	Feet from the	North/South line	Feet from the	East/West line	County
O	17	24S	31E		20	SOUTH	2585	EAST	EDDY

¹² Dedicated Acres 640.0	¹³ Joint or Infill	¹⁴ Consolidation Code	¹⁵ Order No.
--	-------------------------------	----------------------------------	-------------------------

No allowable will be assigned to this completion until all interests have been consolidated or a non-standard unit has been approved by the division.



Distances/areas relative to NAD 83 Combined Scale Factor: 0.99977581 Convergence Angle: 00°16'19.04999"

Horizontal Spacing Unit



SITE PLAN

SNDDNS_T24SR31E_0802
 SEC. 8 TWP. 24-S RGE. 31-E
 SURVEY: N.M.P.M.
 COUNTY: EDDY
 OPERATOR: OXY USA, INC.
 U.S.G.S. TOPOGRAPHIC MAP: BIG SINKS, N.M.
 FAA PERMIT NEEDED: NO

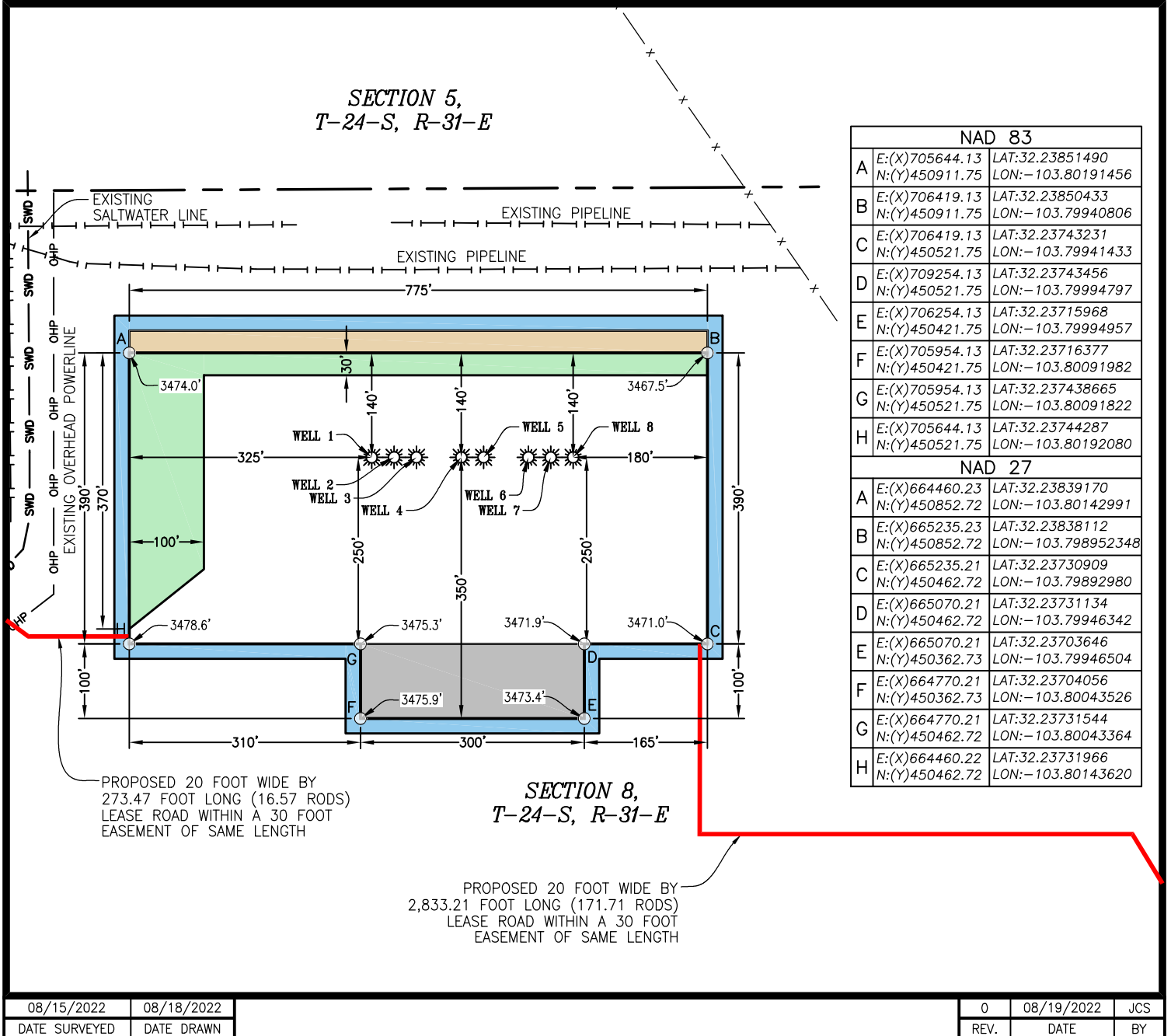
TANK BATTERY

RECLAMATION

30' TOP SOIL

20' DISTURBANCE AREA

SCALE: 1" = 200'



BASIS OF BEARING
 ALL BEARINGS AND COORDINATES REFER TO NAD 83, NEW MEXICO STATE PLANE COORDINATE SYSTEM, EAST ZONE, U.S. SURVEY FEET. (ALL BEARINGS, DISTANCES, COORDINATES AND AREAS ARE GRID MEASUREMENTS UTILIZING A COMBINED SCALE FACTOR OF 0.99977704 CONVERGENCE ANGLE OF 0.28238333'.)

LEGEND	
	EXISTING ROAD
	PROPOSED ROAD
	SURFACE SITE EDGE
	EXIST. PIPELINE
	MONUMENT
	QUARTER SPLIT
	OHP OVERHEAD POWER
	FENCE
	SECTION LINE
	PROPERTY LINE
	WATER LINE
	SALT WATER LINE

SEPTEMBER 9, 2022

Lloyd P. Short 21653
 LLOYD P. SHORT 21653
 PROFESSIONAL SURVEYOR

R-SQUARED GLOBAL, LLC
 510 TRENTON ST.
 WEST MONROE, LA 71291
 318-323-6900 OFFICE
 JOB No. R4289_003
 SHEET 2 OF 3



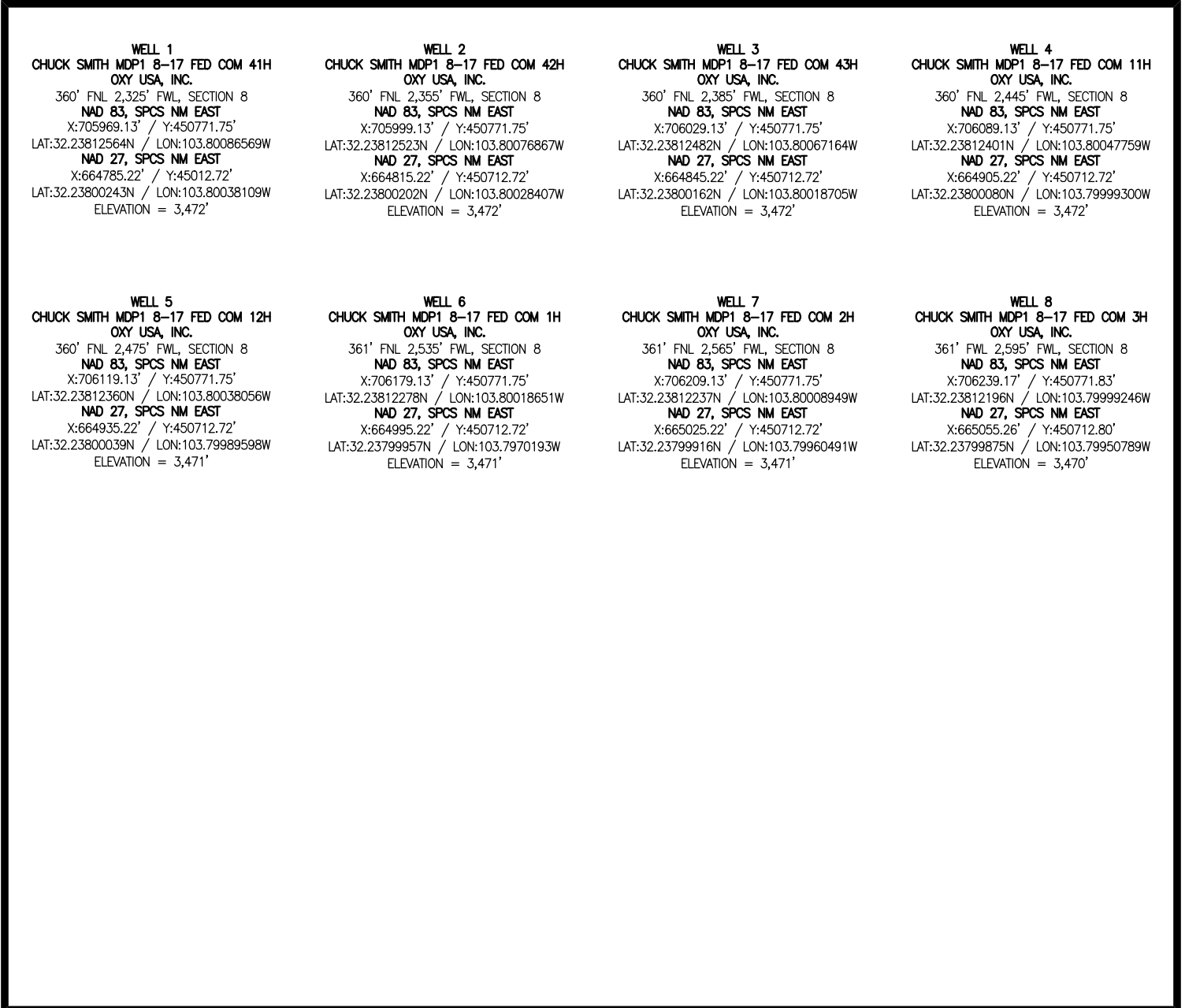
SITE PLAN

SNDDNS_T24SR31E_0802
 SEC. 8 TWP. 24-S RGE. 31-E
 SURVEY: N.M.P.M.
 COUNTY: EDDY

TANK BATTERY	
RECLAMATION	
30' TOP SOIL	
20' DISTURBANCE AREA	



OPERATOR: OXY USA, INC.
 U.S.G.S. TOPOGRAPHIC MAP: BIG SINKS, N.M.
 FAA PERMIT NEEDED: NO



08/15/2022	08/18/2022
DATE SURVEYED	DATE DRAWN

0	08/19/2022	JCS
REV.	DATE	BY

BASIS OF BEARING
 ALL BEARINGS AND COORDINATES REFER TO NAD 83, NEW MEXICO STATE PLANE COORDINATE SYSTEM, EAST ZONE, U.S. SURVEY FEET. (ALL BEARINGS, DISTANCES, COORDINATES AND AREAS ARE GRID MEASUREMENTS UTILIZING A COMBINED SCALE FACTOR OF 0.99977704 CONVERGENCE ANGLE OF 0.28238333'.)

LEGEND	
	EXISTING ROAD
	PROPOSED ROAD
	SURFACE SITE EDGE
	EXIST. PIPELINE
	MONUMENT
	QUARTER SPLIT
	OHP OVERHEAD POWER
	FENCE
	SECTION LINE
	PROPERTY LINE
	WATER LINE
	SALT WATER LINE

SEPTEMBER 9, 2022



LLOYD P. SHORT 21653



PREPARED BY:
 R-SQUARED GLOBAL, LLC
 510 TRENTON ST.
 WEST MONROE, LA 71291
 318-323-6900 OFFICE
 JOB No. R4289_003
 SHEET 3 OF 3

State of New Mexico
Energy, Minerals and Natural Resources Department

Submit Electronically
Via E-permitting

Oil Conservation Division
1220 South St. Francis Dr.
Santa Fe, NM 87505

NATURAL GAS MANAGEMENT PLAN

This Natural Gas Management Plan must be submitted with each Application for Permit to Drill (APD) for a new or recompleted well.

Section 1 – Plan Description

Effective May 25, 2021

I. Operator: OXY USA INC. **OGRID:** 16696 **Date:** 1 2/ 1 4/ 2 2

II. Type: Original Amendment due to 19.15.27.9.D(6)(a) NMAC 19.15.27.9.D(6)(b) NMAC Other.

If Other, please describe: _____

III. Well(s): Provide the following information for each new or recompleted well or set of wells proposed to be drilled or proposed to be recompleted from a single well pad or connected to a central delivery point.

Well Name	API	ULSTR	Footages	Anticipated Oil BBL/D	Anticipated Gas MCF/D	Anticipated Produced Water BBL/D
SEE ATTACHED						

IV. Central Delivery Point Name: Sand Dunes South Corridor 18 CTB [See 19.15.27.9(D)(1) NMAC]

V. Anticipated Schedule: Provide the following information for each new or recompleted well or set of wells proposed to be drilled or proposed to be recompleted from a single well pad or connected to a central delivery point.

Well Name	API	Spud Date	TD Reached Date	Completion Commencement Date	Initial Flow Back Date	First Production Date
SEE ATTACHED						

VI. Separation Equipment: Attach a complete description of how Operator will size separation equipment to optimize gas capture.

VII. Operational Practices: Attach a complete description of the actions Operator will take to comply with the requirements of Subsection A through F of 19.15.27.8 NMAC.

VIII. Best Management Practices: Attach a complete description of Operator’s best management practices to minimize venting during active and planned maintenance.

Section 2 – Enhanced Plan
EFFECTIVE APRIL 1, 2022

Beginning April 1, 2022, an operator that is not in compliance with its statewide natural gas capture requirement for the applicable reporting area must complete this section.

Operator certifies that it is not required to complete this section because Operator is in compliance with its statewide natural gas capture requirement for the applicable reporting area.

IX. Anticipated Natural Gas Production:

Well	API	Anticipated Average Natural Gas Rate MCF/D	Anticipated Volume of Natural Gas for the First Year MCF

X. Natural Gas Gathering System (NGGS):

Operator	System	ULSTR of Tie-in	Anticipated Gathering Start Date	Available Maximum Daily Capacity of System Segment Tie-in

XI. Map. Attach an accurate and legible map depicting the location of the well(s), the anticipated pipeline route(s) connecting the production operations to the existing or planned interconnect of the natural gas gathering system(s), and the maximum daily capacity of the segment or portion of the natural gas gathering system(s) to which the well(s) will be connected.

XII. Line Capacity. The natural gas gathering system will will not have capacity to gather 100% of the anticipated natural gas production volume from the well prior to the date of first production.

XIII. Line Pressure. Operator does does not anticipate that its existing well(s) connected to the same segment, or portion, of the natural gas gathering system(s) described above will continue to meet anticipated increases in line pressure caused by the new well(s).

Attach Operator’s plan to manage production in response to the increased line pressure.

XIV. Confidentiality: Operator asserts confidentiality pursuant to Section 71-2-8 NMSA 1978 for the information provided in Section 2 as provided in Paragraph (2) of Subsection D of 19.15.27.9 NMAC, and attaches a full description of the specific information for which confidentiality is asserted and the basis for such assertion.

Section 3 - Certifications

Effective May 25, 2021

Operator certifies that, after reasonable inquiry and based on the available information at the time of submittal:

Operator will be able to connect the well(s) to a natural gas gathering system in the general area with sufficient capacity to transport one hundred percent of the anticipated volume of natural gas produced from the well(s) commencing on the date of first production, taking into account the current and anticipated volumes of produced natural gas from other wells connected to the pipeline gathering system; or

Operator will not be able to connect to a natural gas gathering system in the general area with sufficient capacity to transport one hundred percent of the anticipated volume of natural gas produced from the well(s) commencing on the date of first production, taking into account the current and anticipated volumes of produced natural gas from other wells connected to the pipeline gathering system.

If Operator checks this box, Operator will select one of the following:

Well Shut-In. Operator will shut-in and not produce the well until it submits the certification required by Paragraph (4) of Subsection D of 19.15.27.9 NMAC; or

Venting and Flaring Plan. Operator has attached a venting and flaring plan that evaluates and selects one or more of the potential alternative beneficial uses for the natural gas until a natural gas gathering system is available, including:

- (a) power generation on lease;
- (b) power generation for grid;
- (c) compression on lease;
- (d) liquids removal on lease;
- (e) reinjection for underground storage;
- (f) reinjection for temporary storage;
- (g) reinjection for enhanced oil recovery;
- (h) fuel cell production; and
- (i) other alternative beneficial uses approved by the division.

Section 4 - Notices

1. If, at any time after Operator submits this Natural Gas Management Plan and before the well is spud:

(a) Operator becomes aware that the natural gas gathering system it planned to connect the well(s) to has become unavailable or will not have capacity to transport one hundred percent of the production from the well(s), no later than 20 days after becoming aware of such information, Operator shall submit for OCD's approval a new or revised venting and flaring plan containing the information specified in Paragraph (5) of Subsection D of 19.15.27.9 NMAC; or

(b) Operator becomes aware that it has, cumulatively for the year, become out of compliance with its baseline natural gas capture rate or natural gas capture requirement, no later than 20 days after becoming aware of such information, Operator shall submit for OCD's approval a new or revised Natural Gas Management Plan for each well it plans to spud during the next 90 days containing the information specified in Paragraph (2) of Subsection D of 19.15.27.9 NMAC, and shall file an update for each Natural Gas Management Plan until Operator is back in compliance with its baseline natural gas capture rate or natural gas capture requirement.

2. OCD may deny or conditionally approve an APD if Operator does not make a certification, fails to submit an adequate venting and flaring plan which includes alternative beneficial uses for the anticipated volume of natural gas produced, or if OCD determines that Operator will not have adequate natural gas takeaway capacity at the time a well will be spud.

Page 8

I certify that, after reasonable inquiry, the statements in and attached to this Natural Gas Management Plan are true and correct to the best of my knowledge and acknowledge that a false statement may be subject to civil and criminal penalties under the Oil and Gas Act.

Signature: <i>Leslie T. Reeves</i>
Printed Name: LESLIE REEVES
Title: REGULATORY MANAGER
E-mail Address: LESLIE_REEVES@OXY.COM
Date: 12/14/2022
Phone: 713-497-2492
OIL CONSERVATION DIVISION (Only applicable when submitted as a standalone form)
Approved By:
Title:
Approval Date:
Conditions of Approval:

III. Well(s)

Well Name	API	WELL LOCATION (ULSTR)	Footages	ANTICIPATED OIL BBL/D	ANTICIPATED GAS MCF/D	ANTICIPATED PROD WATER BBL/D
CHUCK SMITH MDP1 8_17 FED COM 1H	PENDING	C-8-T24S-R31E	361' FNL 2535' FWL	2000	4500	3900
CHUCK SMITH MDP1 8_17 FED COM 2H	PENDING	C-8-T24S-R31E	361' FNL 2565' FWL	2000	4500	3900
CHUCK SMITH MDP1 8_17 FED COM 3H	PENDING	C-8-T24S-R31E	361' FNL 2595' FWL	2000	4500	3900
CHUCK SMITH MDP1 8_17 FED COM 4H	PENDING	B-8-T24S-R31E	731' FNL 1335' FEL	2000	4500	3900
CHUCK SMITH MDP1 8_17 FED COM 5H	PENDING	B-8-T24S-R31E	701' FNL 1335' FEL	2000	4500	3900
CHUCK SMITH MDP1 8_17 FED COM 11H	PENDING	C-8-T24S-R31E	360' FNL 2445' FWL	1100	4600	3000
CHUCK SMITH MDP1 8_17 FED COM 12H	PENDING	C-8-T24S-R31E	360' FNL 2475' FWL	1100	4600	3000
CHUCK SMITH MDP1 8_17 FED COM 13H	PENDING	B-8-T24S-R31E	821' FNL 1335' FEL	1100	4600	3000
CHUCK SMITH MDP1 8_17 FED COM 14H	PENDING	B-8-T24S-R31E	791' FNL 1335' FEL	1100	4600	3000
CHUCK SMITH MDP1 8_17 FED COM 21H	PENDING	M-5-T24S-R31E	280' FSL 1305' FWL	1500	7300	2100
CHUCK SMITH MDP1 8_17 FED COM 22H	PENDING	N-5-T24S-R31E	280' FSL 1335' FWL	1500	7300	2100
CHUCK SMITH MDP1 8_17 FED COM 23H	PENDING	N-5-T24S-R31E	280' FSL 1365' FWL	1500	7300	2100
CHUCK SMITH MDP1 8_17 FED COM 24H	PENDING	O-5-T24S-R31E	279' FSL 1550' FEL	1500	7300	2100
CHUCK SMITH MDP1 8_17 FED COM 25H	PENDING	O-5-T24S-R31E	279' FSL 1520' FEL	1500	7300	2100
CHUCK SMITH MDP1 8_17 FED COM 26H	PENDING	O-5-T24S-R31E	279' FSL 1490' FEL	1500	7300	2100
CHUCK SMITH MDP1 8_17 FED COM 31H	PENDING	M-5-T24S-R31E	280' FSL 1215' FWL	2100	4700	2400
CHUCK SMITH MDP1 8_17 FED COM 32H	PENDING	M-5-T24S-R31E	280' FSL 1245' FWL	2100	4700	2400
CHUCK SMITH MDP1 8_17 FED COM 33H	PENDING	O-5-T24S-R31E	280' FSL 1760' FEL	2100	4700	2400
CHUCK SMITH MDP1 8_17 FED COM 34H	PENDING	O-5-T24S-R31E	280' FSL 1730' FEL	2100	4700	2400
CHUCK SMITH MDP1 8_17 FED COM 41H	PENDING	C-8-T24S-R31E	360' FNL 2325' FWL	800	7800	3900
CHUCK SMITH MDP1 8_17 FED COM 42H	PENDING	C-8-T24S-R31E	360' FNL 2355' FWL	800	7800	3900
CHUCK SMITH MDP1 8_17 FED COM 43H	PENDING	C-8-T24S-R31E	360' FNL 2385' FWL	800	7800	3900
CHUCK SMITH MDP1 8_17 FED COM 44H	PENDING	O-5-T24S-R31E	279' FSL 1670' FEL	800	7800	3900
CHUCK SMITH MDP1 8_17 FED COM 45H	PENDING	O-5-T24S-R31E	279' FSL 1640' FEL	800	7800	3900
CHUCK SMITH MDP1 8_17 FED COM 46H	PENDING	O-5-T24S-R31E	279' FSL 1610' FEL	800	7800	3900

V. Anticipated Schedule

Well Name	API	Spud Date	TD Reached Date	Completion Commencement Date	Initial Flow Back Date	First Production Date
CHUCK SMITH MDP1 8_17 FED COM 1H	PENDING	7/15/2023	10/1/2023	10/27/2023	11/6/2023	11/7/2023
CHUCK SMITH MDP1 8_17 FED COM 2H	PENDING	7/16/2023	9/7/2023	10/27/2023	11/6/2023	11/7/2023
CHUCK SMITH MDP1 8_17 FED COM 3H	PENDING	7/17/2023	9/19/2023	10/27/2023	11/6/2023	11/7/2023
CHUCK SMITH MDP1 8_17 FED COM 4H	PENDING	7/18/2023	10/2/2023	10/25/2023	11/2/2023	11/3/2023
CHUCK SMITH MDP1 8_17 FED COM 5H	PENDING	7/19/2023	10/14/2023	10/25/2023	11/2/2023	11/3/2023
CHUCK SMITH MDP1 8_17 FED COM 11H	PENDING	TBD	TBD	TBD	TBD	TBD
CHUCK SMITH MDP1 8_17 FED COM 12H	PENDING	TBD	TBD	TBD	TBD	TBD
CHUCK SMITH MDP1 8_17 FED COM 13H	PENDING	TBD	TBD	TBD	TBD	TBD
CHUCK SMITH MDP1 8_17 FED COM 14H	PENDING	TBD	TBD	TBD	TBD	TBD
CHUCK SMITH MDP1 8_17 FED COM 21H	PENDING	TBD	TBD	TBD	TBD	TBD
CHUCK SMITH MDP1 8_17 FED COM 22H	PENDING	TBD	TBD	TBD	TBD	TBD
CHUCK SMITH MDP1 8_17 FED COM 23H	PENDING	TBD	TBD	TBD	TBD	TBD
CHUCK SMITH MDP1 8_17 FED COM 24H	PENDING	TBD	TBD	TBD	TBD	TBD
CHUCK SMITH MDP1 8_17 FED COM 25H	PENDING	TBD	TBD	TBD	TBD	TBD
CHUCK SMITH MDP1 8_17 FED COM 26H	PENDING	TBD	TBD	TBD	TBD	TBD
CHUCK SMITH MDP1 8_17 FED COM 31H	PENDING	TBD	TBD	TBD	TBD	TBD
CHUCK SMITH MDP1 8_17 FED COM 32H	PENDING	TBD	TBD	TBD	TBD	TBD
CHUCK SMITH MDP1 8_17 FED COM 33H	PENDING	TBD	TBD	TBD	TBD	TBD
CHUCK SMITH MDP1 8_17 FED COM 34H	PENDING	TBD	TBD	TBD	TBD	TBD
CHUCK SMITH MDP1 8_17 FED COM 41H	PENDING	TBD	TBD	TBD	TBD	TBD
CHUCK SMITH MDP1 8_17 FED COM 42H	PENDING	TBD	TBD	TBD	TBD	TBD
CHUCK SMITH MDP1 8_17 FED COM 43H	PENDING	TBD	TBD	TBD	TBD	TBD
CHUCK SMITH MDP1 8_17 FED COM 44H	PENDING	10/1/2023	12/16/2023	1/31/2024	2/10/2024	2/11/2024
CHUCK SMITH MDP1 8_17 FED COM 45H	PENDING	10/2/2023	1/15/2024	1/31/2024	2/10/2024	2/11/2024
CHUCK SMITH MDP1 8_17 FED COM 46H	PENDING	10/3/2023	12/31/2023	1/31/2024	2/10/2024	2/11/2024

Part VI. Separation Equipment

Operator will size the flowback separator to handle 11,000 Bbls of fluid and 6-10MMscfd which is more than the expected peak rates for these wells. Each separator is rated to 1440psig, and pressure control valves and automated communication will cause the wells to shut in in the event of an upset at the facility, therefore no gas will be flared on pad during an upset. Current Oxy practices avoid use of flare or venting on pad, therefore if there is an upset or emergency condition at the facility, the wells will immediately shut down, and reassume production once the condition has cleared.

VII. Operational Practices

Gathering System and Pipeline Notification

Well(s) will be connected to a production facility after flowback operations are complete, where a gas transporter system is in place. The gas produced from production facility is dedicated to Enterprise Field Services, LLC ("Enterprise") and is connected to Enterprise low/high pressure gathering system located in Eddy County, New Mexico. OXY USA INC. ("OXY") provides (periodically) to Enterprise a drilling, completion and estimated first production date for wells that are scheduled to be drilled in the foreseeable future. In addition, OXY and Enterprise have periodic conference calls to discuss changes to drilling and completion schedules. Gas from these wells will be processed at Enterprise's Processing Plant located in Sec. 36, Twn. 24S, Rng. 30E, Eddy County, New Mexico. The actual flow of the gas will be based on compression operating parameters and gathering system pressures.

Flowback Strategy

After the fracture treatment/completion operations, well(s) will be produced to temporary production tanks and gas will be flared or vented. During flowback, the fluids and sand content will be monitored. When the produced fluids contain minimal sand, the wells will be turned to production facilities. Gas sales should start as soon as the wells start flowing through the production facilities, unless there are operational issues on Enterprise system at that time. Based on current information, it is OXY's belief the system can take this gas upon completion of the well(s).

Safety requirements during cleanout operations from the use of underbalanced air cleanout systems may necessitate that sand and non-pipeline quality gas be vented and/or flared rather than sold on a temporary basis.

VIII. Best Management Practices

Below are alternatives considered from a conceptual standpoint to reduce the amount of gas flared.

- Power Generation – On lease

Only a portion of gas is consumed operating the generator, remainder of gas will be flared

- Compressed Natural Gas – On lease

Gas flared would be minimal, but might be uneconomical to operate when gas volume declines

- NGL Removal – On lease

Plants are expensive, residue gas is still flared, and uneconomical to operate when gas volume declines

Oxy USA Inc. - Chuck Smith MDP1 8_17 Fed Com 3H

Drill Plan

1. Geologic Formations

TVD of Target (ft):	12291	Pilot Hole Depth (ft):	
Total Measured Depth (ft):	22844	Deepest Expected Fresh Water (ft):	594

Delaware Basin

Formation	MD-RKB (ft)	TVD-RKB (ft)	Expected Fluids
Rustler	594	594	
Salado	959	959	Salt
Castile	2747	2747	Salt
Delaware	4250	4250	Oil/Gas/Brine
Bell Canyon	4274	4274	Oil/Gas/Brine
Cherry Canyon	5205	5205	Oil/Gas/Brine
Brushy Canyon	6417	6417	Losses
Bone Spring	8132	8131	Oil/Gas
Bone Spring 1st	9167	9152	Oil/Gas
Bone Spring 2nd	9814	9789	Oil/Gas
Bone Spring 3rd	11091	11046	Oil/Gas
Wolfcamp	11537	11486	Oil/Gas
Penn			Oil/Gas
Strawn			Oil/Gas

*H2S, water flows, loss of circulation, abnormal pressures, etc.

2. Casing Program

Section	Hole Size (in)	MD		TVD		Csg. OD (in)	Csg. Wt. (ppf)	Grade	Conn.
		From (ft)	To (ft)	From (ft)	To (ft)				
Surface	17.5	0	899	0	899	13.375	54.5	J-55	BTC
Intermediate	12.25	0	11499	0	11446	9.625	40	L-80 HC	BTC
Production	8.75	0	12049	0	11919	7	32	P-110	DQX
Production	8.5	12049	22844	11919	12291	5.5	20	P-110	Wedge 461

All casing strings will be tested in accordance with Onshore Oil and Gas Order #2 III.B.1.h

*Oxy requests the option to run production casing with DQX, TORQ DQW, Wedge 425, Wedge 461, and/or Wedge 441 connections to accommodate hole conditions or drilling operations.

<i>All Casing SF Values will meet or exceed those below</i>			
SF Collapse	SF Burst	Body SF Tension	Joint SF Tension
1.125	1.2	1.4	1.4

Annular Clearance Variance Request

As per the agreement reached in the Oxy/BLM face-to-face meeting on Feb 22, 2018, Oxy requests permission to allow deviation from the 0.422" annular clearance requirement from Onshore Order #2 under the following conditions:

1. Annular clearance to meet or exceed 0.422" between intermediate casing ID and production casing coupling only on the first 500' overlap between both casings.
2. Annular clearance less than 0.422" is acceptable for the curve and lateral portions of the production open hole section.

	Y or N
Is casing new? If used, attach certification as required in Onshore Order #1	Y
Does casing meet API specifications? If no, attach casing specification sheet.	Y
Is premium or uncommon casing planned? If yes attach casing specification sheet.	Y
Does the above casing design meet or exceed BLM's minimum standards? If not provide justification (loading assumptions, casing design criteria).	Y
Will the intermediate pipe be kept at a minimum 1/3 fluid filled to avoid approaching the collapse pressure rating of the casing?	Y
Is well located within Capitan Reef?	N
If yes, does production casing cement tie back a minimum of 50' above the Reef?	
Is well within the designated 4 string boundary.	
Is well located in SOPA but not in R-111-P?	Y
If yes, are the first 2 strings cemented to surface and 3 rd string cement tied back 500' into previous casing?	Y
Is well located in R-111-P and SOPA?	N
If yes, are the first three strings cemented to surface?	
Is 2 nd string set 100' to 600' below the base of salt?	
Is well located in high Cave/Karst?	N
If yes, are there two strings cemented to surface?	
(For 2 string wells) If yes, is there a contingency casing if lost circulation occurs?	
Is well located in critical Cave/Karst?	N
If yes, are there three strings cemented to surface?	

3. Cementing Program

Section	Stage	Slurry:	Sacks	Yield (ft ³ /ft)	Density (lb/gal)	Excess:	TOC	Placement	Description
Surface	1	Surface - Tail	939	1.33	14.8	100%	-	Circulate	Class C+Accel.
Int.	1	Intermediate 1S - Tail	963	1.65	13.2	5%	6,667	Circulate	Class H+Accel., Disper., Salt
Int.	2	Intermediate 2S - Tail BH	1511	1.71	13.3	25%	-	Bradenhead	Class C+Accel.
Prod.	1	Production - Tail	2602	1.38	13.2	25%	10,999	Circulate	Class H+Ret., Disper., Salt

Offline Cementing

Oxy requests a variance to cement the 9.625" and/or 7.625" intermediate casing strings offline in accordance to the approved variance, EC Tran 461365.

The summarized operational sequence will be as follows:

Run casing as per normal operations. While running casing, conduct negative pressure test and confirm integrity of the float equipment (float collar and shoe).

Land casing.

Fill pipe with kill weight fluid, and confirm well is static.

If well Oxy requests a variance to cement the 9.625" and/or 7.625" intermediate casing strings offline in accordance to the approved variance, EC Tran 461365.

The summarized operational sequence will be as follows:

1. Run casing as per normal operations. While running casing, conduct negative pressure test and confirm integrity of the float equipment (float collar and shoe).
2. Land casing.
3. Fill pipe with kill weight fluid, and confirm well is static.
 - a. If well is not static notify BLM and kill well.
 - b. Once well is static notify BLM with intent to proceed with nipple down and offline cementing.
4. Set and pressure test annular packoff.
5. After confirmation of both annular barriers and internal barriers, nipple down BOP and install cap flange. If any barrier fails to test, the BOP stack will not be nipped down until after the cement job is completed.
6. Skid rig to next well on pad.
7. Confirm well is static before removing cap flange.
8. If well is not static notify BLM and kill well prior to cementing or nipping up for further remediation.
9. Install offline cement tool.
10. Rig up cement equipment.
 - a. Notify BLM prior to cement job.
11. Perform cement job.
12. Confirm well is static and floats are holding after cement job.
13. Remove cement equipment, offline cement tools and install night cap with pressure gauge for monitoring.

Oxy requests permission to adjust the CBL requirement after bradenhead cement jobs, on 7-5/8" intermediate casings, as per the agreement reached in the OXY/BLM meeting on September 5, 2019.

Three string wells:

- CBL will be required on one well per pad
- If the pumped volume of cement is less than permitted in the APD, BLM will be notified and a CBL may be run
- Echometer will be used after bradenhead cement job to determine TOC before pumping top-out cement

4. Pressure Control Equipment

BOP installed and tested before drilling which hole?	Size?	Min. Required WP	Type	✓	Tested to:	Deepest TVD Depth (ft) per Section:
12.25" Hole	13-5/8"	5M	Annular	✓	70% of working pressure	11446
		5M	Blind Ram	✓	250 psi / 5000 psi	
			Pipe Ram			
			Double Ram	✓		
			Other*			
8.75" Hole	13-5/8"	5M	Annular	✓	100% of working pressure	12291
		10M	Blind Ram	✓	250 psi / 10000 psi	
			Pipe Ram			
			Double Ram	✓		
			Other*			

*Specify if additional ram is utilized

Per BLM’s Memorandum No. NM-2017-008: *Decision and Rationale for a Variance Allowing the Use of a 5M Annular Preventer with a 10M BOP Stack*, Oxy requests to employ a 5M annular with a 10M BOPE stack in the pilot and lateral sections of the well and will ensure that two barriers to flow are maintained at all times. Please see attached Well Control Plan.

BOP/BOPE will be tested by an independent service company to 250 psi low and the high pressure indicated above per Onshore Order 2 requirements. The System may be upgraded to a higher pressure but still tested to the working pressure listed in the table above. If the system is upgraded all the components installed will be functional and tested.

Pipe rams will be operationally checked each 24 hour period. Blind rams will be operationally checked on each trip out of the hole. These checks will be noted on the daily tour sheets. Other accessories to the BOP equipment will include a Kelly cock and floor safety valve (inside BOP) and choke lines and choke manifold.

	Formation integrity test will be performed per Onshore Order #2.
	On Exploratory wells or on that portion of any well approved for a 5M BOPE system or greater, a pressure integrity test of each casing shoe shall be performed. Will be tested in accordance with Onshore Oil and Gas Order #2 III.B.1.i.
	A variance is requested for the use of a flexible choke line from the BOP to Choke Manifold. See attached for specs and hydrostatic test chart.
Y	Are anchors required by manufacturer?
	A multibowl or a unionized multibowl wellhead system will be employed. The wellhead and connection to the BOPE will meet all API 6A requirements. The BOP will be tested per Onshore Order #2 after installation on the surface casing which will cover testing requirements for a maximum of 30 days. If any seal subject to test pressure is broken the system must be tested. We will test the flange connection of the wellhead with a test port that is directly in the flange. We are proposing that we will run the wellhead through the rotary prior to cementing surface casing as discussed with the BLM on October 8, 2015. See attached schematics.

BOP Break Testing Request

Oxy requests permission to adjust the BOP break testing requirements as per the agreement reached in the OXY/BLM meeting on September 5, 2019.

BOP break test under the following conditions:

- After a full BOP test is conducted
- When skidding to drill an intermediate section where ICP is set into the third Bone Spring or shallower.

If the kill line is broken prior to skid, two tests will be performed.

- 1) Wellhead flange, co-flex hose, kill line connections and upper pipe rams
- 2) Wellhead flange, HCR valve, check valve, upper pipe rams

If the kill line is not broken prior to skid, only one test will be performed.

- 1) Wellhead flange, co-flex hose, check valve, upper pipe rams

Oxy will use Cameron ADAPT wellhead system that uses an OEC top flange connection. This connection has been fully vetted and verified by API to Spec 6A and carries an API monogram.

5. Mud Program

Section	Depth - MD		Depth - TVD		Type	Weight (ppg)	Viscosity	Water Loss
	From (ft)	To (ft)	From (ft)	To (ft)				
Surface	0	899	0	899	Water-Based Mud	8.6 - 8.8	40-60	N/C
Intermediate	899	11499	899	11446	Saturated Brine-Based or Oil-Based Mud	8.0 - 10.0	35-45	N/C
Production	11499	22844	11446	12291	Water-Based or Oil-Based Mud	9.5 - 13.5	38-50	N/C

Sufficient mud materials to maintain mud properties and meet minimum lost circulation and weight increase requirements will be kept on location at all times. The following is a general list of products: Barite, Bentonite, Gypsum, Lime, Soda Ash, Caustic Soda, Nut Plug, Cedar Fiber, Cotton Seed Hulls, Drilling Paper, Salt Water Clay, CACL2. Oxy will use a closed mud system.

What will be used to monitor the loss or gain of fluid?	PVT/MD Totco/Visual Monitoring
---	--------------------------------

6. Logging and Testing Procedures

Logging, Coring and Testing.	
Yes	Will run GR from TD to surface (horizontal well – vertical portion of hole). Stated logs run will be in the Completion Report and submitted to the BLM.
No	Logs are planned based on well control or offset log information.
No	Drill stem test? If yes, explain
No	Coring? If yes, explain

Additional logs planned	Interval
No	Resistivity
No	Density
Yes	CBL Production string
Yes	Mud log Bone Spring – TD
No	PEX

7. Drilling Conditions

Condition	Specify what type and where?
BH Pressure at deepest TVD	8629 psi
Abnormal Temperature	No
BH Temperature at deepest TVD	179°F

Pump high viscosity sweeps as needed for hole cleaning. The mud system will be monitored visually/manually as well as with an electronic PVT. The necessary mud products for additional weight and fluid loss control will be on location at all times. Appropriately weighted mud will be used to isolate potential gas, oil, and water zones until such time as casing can be cemented into place for zonal

Hydrogen Sulfide (H2S) monitors will be installed prior to drilling out the surface shoe. If H2S is detected in concentrations greater than 100 ppm, the operator will comply with the provisions of Onshore Oil and Gas Order #6. If Hydrogen Sulfide is encountered, measured values and formations will be provided to the BLM.	
N	H2S is present
Y	H2S Plan attached

8. Other facets of operation

	Yes/No
Will the well be drilled with a walking/skidding operation? If yes, describe. We plan to drill the 3 well pad in batch by section: all surface sections, intermediate sections and production sections. The wellhead will be secured with a night cap whenever the rig is not over the well.	Yes
Will more than one drilling rig be used for drilling operations? If yes, describe. Oxy requests the option to contract a Surface Rig to drill, set surface casing, and cement for this well. If the timing between rigs is such that Oxy would not be able to preset surface, the Primary Rig will MIRU and drill the well in its entirety per the APD. Please see the attached document for information on the spudder rig.	Yes

Total Estimated Cuttings Volume: 1774 bbls

Attachments

- Directional Plan
- H2S Contingency Plan
- Flex III Attachments
- Spudder Rig Attachment
- Premium Connection Specs

9. Company Personnel

Name	Title	Office Phone	Mobile Phone
Garrett Granier	Drilling Engineer	713-513-6633	832-265-0581
Derek Adam	Drilling Engineer Supervisor	713-366-5170	916-802-8873
Casey Martin	Drilling Superintendent	713-497-2530	337-764-4278
Kevin Threadgill	Drilling Manager	713-366-5958	361-815-0788

OXY

PRD NM DIRECTIONAL PLANS (NAD 1983)

Chuck Smith MDP1 8_17

Chuck Smith MDP1 8_17 Fed Com 3H

Wellbore #1

Plan: Permitting Plan

Standard Planning Report

27 March, 2023

OXY Planning Report

Database:	HOPSPP	Local Co-ordinate Reference:	Well Chuck Smith MDP1 8_17 Fed Com 3H
Company:	ENGINEERING DESIGNS	TVD Reference:	RKB=25' @ 3495.00ft
Project:	PRD NM DIRECTIONAL PLANS (NAD 1983)	MD Reference:	RKB=25' @ 3495.00ft
Site:	Chuck Smith MDP1 8_17	North Reference:	Grid
Well:	Chuck Smith MDP1 8_17 Fed Com 3H	Survey Calculation Method:	Minimum Curvature
Wellbore:	Wellbore #1		
Design:	Permitting Plan		

Project PRD NM DIRECTIONAL PLANS (NAD 1983)			
Map System:	US State Plane 1983	System Datum:	Mean Sea Level
Geo Datum:	North American Datum 1983		
Map Zone:	New Mexico Eastern Zone		Using geodetic scale factor

Site Chuck Smith MDP1 8_17			
Site Position:		Northing:	450,665.22 usft
From:	Map	Easting:	705,784.47 usft
Position Uncertainty:	1.00 ft	Slot Radius:	13.200 in
		Latitude:	32.237835
		Longitude:	-103.801465

Well Chuck Smith MDP1 8_17 Fed Com 3H			
Well Position	+N/-S	0.00 ft	Northing:
	+E/-W	0.00 ft	450,771.75 usf
			Latitude:
			32.238122
			Longitude:
			-103.799993
Position Uncertainty		1.00 ft	Wellhead Elevation:
			ft
			Ground Level:
			3,470.00 ft
Grid Convergence:		0.28 °	

Wellbore Wellbore #1					
Magnetics	Model Name	Sample Date	Declination (°)	Dip Angle (°)	Field Strength (nT)
	HDGM_FILE	3/27/2023	6.42	59.80	47,531.20000000

Design Permitting Plan				
Audit Notes:				
Version:	Phase:	PROTOTYPE	Tie On Depth:	0.00
Vertical Section:	Depth From (TVD) (ft)	+N/-S (ft)	+E/-W (ft)	Direction (°)
	0.00	0.00	0.00	179.12

Plan Survey Tool Program		Date 3/27/2023		
Depth From (ft)	Depth To (ft)	Survey (Wellbore)	Tool Name	Remarks
1	0.00	22,857.66 Permitting Plan (Wellbore #1)	B001Mb_MWD+HRGM OWSG MWD + HRGM	

Plan Sections										
Measured Depth (ft)	Inclination (°)	Azimuth (°)	Vertical Depth (ft)	+N/-S (ft)	+E/-W (ft)	Dogleg Rate (°/100ft)	Build Rate (°/100ft)	Turn Rate (°/100ft)	TFO (°)	Target
0.00	0.00	0.00	0.00	0.00	0.00	0.00	0.00	0.00	0.00	
7,478.00	0.00	0.00	7,478.00	0.00	0.00	0.00	0.00	0.00	0.00	
8,478.06	10.00	7.02	8,472.99	86.40	10.63	1.00	1.00	0.00	7.02	
11,612.64	10.00	7.02	11,559.94	626.67	77.11	0.00	0.00	0.00	0.00	
12,607.70	89.59	179.66	12,231.40	66.49	95.45	10.00	8.00	17.35	172.55	
22,857.70	89.59	179.66	12,305.00	-10,183.07	155.77	0.00	0.00	0.00	0.00	PBHL (Chuck Smith)

OXY

Planning Report

Database:	HOPSPP	Local Co-ordinate Reference:	Well Chuck Smith MDP1 8_17 Fed Com 3H
Company:	ENGINEERING DESIGNS	TVD Reference:	RKB=25' @ 3495.00ft
Project:	PRD NM DIRECTIONAL PLANS (NAD 1983)	MD Reference:	RKB=25' @ 3495.00ft
Site:	Chuck Smith MDP1 8_17	North Reference:	Grid
Well:	Chuck Smith MDP1 8_17 Fed Com 3H	Survey Calculation Method:	Minimum Curvature
Wellbore:	Wellbore #1		
Design:	Permitting Plan		

Planned Survey									
Measured Depth (ft)	Inclination (°)	Azimuth (°)	Vertical Depth (ft)	+N/-S (ft)	+E/-W (ft)	Vertical Section (ft)	Dogleg Rate (°/100ft)	Build Rate (°/100ft)	Turn Rate (°/100ft)
0.00	0.00	0.00	0.00	0.00	0.00	0.00	0.00	0.00	0.00
100.00	0.00	0.00	100.00	0.00	0.00	0.00	0.00	0.00	0.00
200.00	0.00	0.00	200.00	0.00	0.00	0.00	0.00	0.00	0.00
300.00	0.00	0.00	300.00	0.00	0.00	0.00	0.00	0.00	0.00
400.00	0.00	0.00	400.00	0.00	0.00	0.00	0.00	0.00	0.00
500.00	0.00	0.00	500.00	0.00	0.00	0.00	0.00	0.00	0.00
600.00	0.00	0.00	600.00	0.00	0.00	0.00	0.00	0.00	0.00
700.00	0.00	0.00	700.00	0.00	0.00	0.00	0.00	0.00	0.00
800.00	0.00	0.00	800.00	0.00	0.00	0.00	0.00	0.00	0.00
900.00	0.00	0.00	900.00	0.00	0.00	0.00	0.00	0.00	0.00
1,000.00	0.00	0.00	1,000.00	0.00	0.00	0.00	0.00	0.00	0.00
1,100.00	0.00	0.00	1,100.00	0.00	0.00	0.00	0.00	0.00	0.00
1,200.00	0.00	0.00	1,200.00	0.00	0.00	0.00	0.00	0.00	0.00
1,300.00	0.00	0.00	1,300.00	0.00	0.00	0.00	0.00	0.00	0.00
1,400.00	0.00	0.00	1,400.00	0.00	0.00	0.00	0.00	0.00	0.00
1,500.00	0.00	0.00	1,500.00	0.00	0.00	0.00	0.00	0.00	0.00
1,600.00	0.00	0.00	1,600.00	0.00	0.00	0.00	0.00	0.00	0.00
1,700.00	0.00	0.00	1,700.00	0.00	0.00	0.00	0.00	0.00	0.00
1,800.00	0.00	0.00	1,800.00	0.00	0.00	0.00	0.00	0.00	0.00
1,900.00	0.00	0.00	1,900.00	0.00	0.00	0.00	0.00	0.00	0.00
2,000.00	0.00	0.00	2,000.00	0.00	0.00	0.00	0.00	0.00	0.00
2,100.00	0.00	0.00	2,100.00	0.00	0.00	0.00	0.00	0.00	0.00
2,200.00	0.00	0.00	2,200.00	0.00	0.00	0.00	0.00	0.00	0.00
2,300.00	0.00	0.00	2,300.00	0.00	0.00	0.00	0.00	0.00	0.00
2,400.00	0.00	0.00	2,400.00	0.00	0.00	0.00	0.00	0.00	0.00
2,500.00	0.00	0.00	2,500.00	0.00	0.00	0.00	0.00	0.00	0.00
2,600.00	0.00	0.00	2,600.00	0.00	0.00	0.00	0.00	0.00	0.00
2,700.00	0.00	0.00	2,700.00	0.00	0.00	0.00	0.00	0.00	0.00
2,800.00	0.00	0.00	2,800.00	0.00	0.00	0.00	0.00	0.00	0.00
2,900.00	0.00	0.00	2,900.00	0.00	0.00	0.00	0.00	0.00	0.00
3,000.00	0.00	0.00	3,000.00	0.00	0.00	0.00	0.00	0.00	0.00
3,100.00	0.00	0.00	3,100.00	0.00	0.00	0.00	0.00	0.00	0.00
3,200.00	0.00	0.00	3,200.00	0.00	0.00	0.00	0.00	0.00	0.00
3,300.00	0.00	0.00	3,300.00	0.00	0.00	0.00	0.00	0.00	0.00
3,400.00	0.00	0.00	3,400.00	0.00	0.00	0.00	0.00	0.00	0.00
3,500.00	0.00	0.00	3,500.00	0.00	0.00	0.00	0.00	0.00	0.00
3,600.00	0.00	0.00	3,600.00	0.00	0.00	0.00	0.00	0.00	0.00
3,700.00	0.00	0.00	3,700.00	0.00	0.00	0.00	0.00	0.00	0.00
3,800.00	0.00	0.00	3,800.00	0.00	0.00	0.00	0.00	0.00	0.00
3,900.00	0.00	0.00	3,900.00	0.00	0.00	0.00	0.00	0.00	0.00
4,000.00	0.00	0.00	4,000.00	0.00	0.00	0.00	0.00	0.00	0.00
4,100.00	0.00	0.00	4,100.00	0.00	0.00	0.00	0.00	0.00	0.00
4,200.00	0.00	0.00	4,200.00	0.00	0.00	0.00	0.00	0.00	0.00
4,300.00	0.00	0.00	4,300.00	0.00	0.00	0.00	0.00	0.00	0.00
4,400.00	0.00	0.00	4,400.00	0.00	0.00	0.00	0.00	0.00	0.00
4,500.00	0.00	0.00	4,500.00	0.00	0.00	0.00	0.00	0.00	0.00
4,600.00	0.00	0.00	4,600.00	0.00	0.00	0.00	0.00	0.00	0.00
4,700.00	0.00	0.00	4,700.00	0.00	0.00	0.00	0.00	0.00	0.00
4,800.00	0.00	0.00	4,800.00	0.00	0.00	0.00	0.00	0.00	0.00
4,900.00	0.00	0.00	4,900.00	0.00	0.00	0.00	0.00	0.00	0.00
5,000.00	0.00	0.00	5,000.00	0.00	0.00	0.00	0.00	0.00	0.00
5,100.00	0.00	0.00	5,100.00	0.00	0.00	0.00	0.00	0.00	0.00
5,200.00	0.00	0.00	5,200.00	0.00	0.00	0.00	0.00	0.00	0.00
5,300.00	0.00	0.00	5,300.00	0.00	0.00	0.00	0.00	0.00	0.00
5,400.00	0.00	0.00	5,400.00	0.00	0.00	0.00	0.00	0.00	0.00

OXY

Planning Report

Database:	HOPSPP	Local Co-ordinate Reference:	Well Chuck Smith MDP1 8_17 Fed Com 3H
Company:	ENGINEERING DESIGNS	TVD Reference:	RKB=25' @ 3495.00ft
Project:	PRD NM DIRECTIONAL PLANS (NAD 1983)	MD Reference:	RKB=25' @ 3495.00ft
Site:	Chuck Smith MDP1 8_17	North Reference:	Grid
Well:	Chuck Smith MDP1 8_17 Fed Com 3H	Survey Calculation Method:	Minimum Curvature
Wellbore:	Wellbore #1		
Design:	Permitting Plan		

Planned Survey									
Measured Depth (ft)	Inclination (°)	Azimuth (°)	Vertical Depth (ft)	+N/-S (ft)	+E/-W (ft)	Vertical Section (ft)	Dogleg Rate (°/100ft)	Build Rate (°/100ft)	Turn Rate (°/100ft)
5,500.00	0.00	0.00	5,500.00	0.00	0.00	0.00	0.00	0.00	0.00
5,600.00	0.00	0.00	5,600.00	0.00	0.00	0.00	0.00	0.00	0.00
5,700.00	0.00	0.00	5,700.00	0.00	0.00	0.00	0.00	0.00	0.00
5,800.00	0.00	0.00	5,800.00	0.00	0.00	0.00	0.00	0.00	0.00
5,900.00	0.00	0.00	5,900.00	0.00	0.00	0.00	0.00	0.00	0.00
6,000.00	0.00	0.00	6,000.00	0.00	0.00	0.00	0.00	0.00	0.00
6,100.00	0.00	0.00	6,100.00	0.00	0.00	0.00	0.00	0.00	0.00
6,200.00	0.00	0.00	6,200.00	0.00	0.00	0.00	0.00	0.00	0.00
6,300.00	0.00	0.00	6,300.00	0.00	0.00	0.00	0.00	0.00	0.00
6,400.00	0.00	0.00	6,400.00	0.00	0.00	0.00	0.00	0.00	0.00
6,500.00	0.00	0.00	6,500.00	0.00	0.00	0.00	0.00	0.00	0.00
6,600.00	0.00	0.00	6,600.00	0.00	0.00	0.00	0.00	0.00	0.00
6,700.00	0.00	0.00	6,700.00	0.00	0.00	0.00	0.00	0.00	0.00
6,800.00	0.00	0.00	6,800.00	0.00	0.00	0.00	0.00	0.00	0.00
6,900.00	0.00	0.00	6,900.00	0.00	0.00	0.00	0.00	0.00	0.00
7,000.00	0.00	0.00	7,000.00	0.00	0.00	0.00	0.00	0.00	0.00
7,100.00	0.00	0.00	7,100.00	0.00	0.00	0.00	0.00	0.00	0.00
7,200.00	0.00	0.00	7,200.00	0.00	0.00	0.00	0.00	0.00	0.00
7,300.00	0.00	0.00	7,300.00	0.00	0.00	0.00	0.00	0.00	0.00
7,400.00	0.00	0.00	7,400.00	0.00	0.00	0.00	0.00	0.00	0.00
7,478.00	0.00	0.00	7,478.00	0.00	0.00	0.00	0.00	0.00	0.00
7,500.00	0.22	7.02	7,500.00	0.04	0.01	-0.04	1.00	1.00	0.00
7,600.00	1.22	7.02	7,599.99	1.29	0.16	-1.29	1.00	1.00	0.00
7,700.00	2.22	7.02	7,699.94	4.27	0.53	-4.26	1.00	1.00	0.00
7,800.00	3.22	7.02	7,799.83	8.98	1.10	-8.96	1.00	1.00	0.00
7,900.00	4.22	7.02	7,899.62	15.42	1.90	-15.39	1.00	1.00	0.00
8,000.00	5.22	7.02	7,999.28	23.58	2.90	-23.54	1.00	1.00	0.00
8,100.00	6.22	7.02	8,098.78	33.48	4.12	-33.41	1.00	1.00	0.00
8,200.00	7.22	7.02	8,198.09	45.09	5.55	-45.00	1.00	1.00	0.00
8,300.00	8.22	7.02	8,297.18	58.42	7.19	-58.31	1.00	1.00	0.00
8,400.00	9.22	7.02	8,396.03	73.47	9.04	-73.32	1.00	1.00	0.00
8,478.06	10.00	7.02	8,472.99	86.40	10.63	-86.23	1.00	1.00	0.00
8,500.00	10.00	7.02	8,494.60	90.19	11.10	-90.01	0.00	0.00	0.00
8,600.00	10.00	7.02	8,593.08	107.42	13.22	-107.21	0.00	0.00	0.00
8,700.00	10.00	7.02	8,691.56	124.66	15.34	-124.41	0.00	0.00	0.00
8,800.00	10.00	7.02	8,790.04	141.89	17.46	-141.61	0.00	0.00	0.00
8,900.00	10.00	7.02	8,888.52	159.13	19.58	-158.81	0.00	0.00	0.00
9,000.00	10.00	7.02	8,987.00	176.36	21.70	-176.01	0.00	0.00	0.00
9,100.00	10.00	7.02	9,085.48	193.60	23.82	-193.21	0.00	0.00	0.00
9,200.00	10.00	7.02	9,183.96	210.84	25.94	-210.41	0.00	0.00	0.00
9,300.00	10.00	7.02	9,282.44	228.07	28.06	-227.62	0.00	0.00	0.00
9,400.00	10.00	7.02	9,380.92	245.31	30.19	-244.82	0.00	0.00	0.00
9,500.00	10.00	7.02	9,479.40	262.54	32.31	-262.02	0.00	0.00	0.00
9,600.00	10.00	7.02	9,577.88	279.78	34.43	-279.22	0.00	0.00	0.00
9,700.00	10.00	7.02	9,676.36	297.02	36.55	-296.42	0.00	0.00	0.00
9,800.00	10.00	7.02	9,774.84	314.25	38.67	-313.62	0.00	0.00	0.00
9,900.00	10.00	7.02	9,873.33	331.49	40.79	-330.82	0.00	0.00	0.00
10,000.00	10.00	7.02	9,971.81	348.72	42.91	-348.03	0.00	0.00	0.00
10,100.00	10.00	7.02	10,070.29	365.96	45.03	-365.23	0.00	0.00	0.00
10,200.00	10.00	7.02	10,168.77	383.19	47.15	-382.43	0.00	0.00	0.00
10,300.00	10.00	7.02	10,267.25	400.43	49.27	-399.63	0.00	0.00	0.00
10,400.00	10.00	7.02	10,365.73	417.67	51.39	-416.83	0.00	0.00	0.00
10,500.00	10.00	7.02	10,464.21	434.90	53.52	-434.03	0.00	0.00	0.00
10,600.00	10.00	7.02	10,562.69	452.14	55.64	-451.23	0.00	0.00	0.00
10,700.00	10.00	7.02	10,661.17	469.37	57.76	-468.43	0.00	0.00	0.00

OXY

Planning Report

Database:	HOPSPP	Local Co-ordinate Reference:	Well Chuck Smith MDP1 8_17 Fed Com 3H
Company:	ENGINEERING DESIGNS	TVD Reference:	RKB=25' @ 3495.00ft
Project:	PRD NM DIRECTIONAL PLANS (NAD 1983)	MD Reference:	RKB=25' @ 3495.00ft
Site:	Chuck Smith MDP1 8_17	North Reference:	Grid
Well:	Chuck Smith MDP1 8_17 Fed Com 3H	Survey Calculation Method:	Minimum Curvature
Wellbore:	Wellbore #1		
Design:	Permitting Plan		

Planned Survey									
Measured Depth (ft)	Inclination (°)	Azimuth (°)	Vertical Depth (ft)	+N/-S (ft)	+E/-W (ft)	Vertical Section (ft)	Dogleg Rate (°/100ft)	Build Rate (°/100ft)	Turn Rate (°/100ft)
10,800.00	10.00	7.02	10,759.65	486.61	59.88	-485.64	0.00	0.00	0.00
10,900.00	10.00	7.02	10,858.13	503.84	62.00	-502.84	0.00	0.00	0.00
11,000.00	10.00	7.02	10,956.61	521.08	64.12	-520.04	0.00	0.00	0.00
11,100.00	10.00	7.02	11,055.09	538.32	66.24	-537.24	0.00	0.00	0.00
11,200.00	10.00	7.02	11,153.57	555.55	68.36	-554.44	0.00	0.00	0.00
11,300.00	10.00	7.02	11,252.05	572.79	70.48	-571.64	0.00	0.00	0.00
11,400.00	10.00	7.02	11,350.53	590.02	72.60	-588.84	0.00	0.00	0.00
11,500.00	10.00	7.02	11,449.01	607.26	74.72	-606.05	0.00	0.00	0.00
11,600.00	10.00	7.02	11,547.50	624.50	76.85	-623.25	0.00	0.00	0.00
11,612.64	10.00	7.02	11,559.94	626.67	77.11	-625.42	0.00	0.00	0.00
11,650.00	6.31	11.42	11,596.92	631.91	77.92	-630.64	10.00	-9.87	11.80
11,700.00	1.75	47.20	11,646.79	635.13	79.02	-633.84	10.00	-9.13	71.55
11,750.00	4.03	161.02	11,696.75	633.98	80.15	-632.68	10.00	4.56	227.64
11,800.00	8.91	171.41	11,746.41	628.49	81.31	-627.17	10.00	9.76	20.78
11,850.00	13.88	174.44	11,795.41	618.68	82.47	-617.35	10.00	9.93	6.06
11,900.00	18.86	175.89	11,843.37	604.65	83.63	-603.30	10.00	9.97	2.90
11,950.00	23.85	176.75	11,889.92	586.48	84.78	-585.12	10.00	9.98	1.72
12,000.00	28.84	177.33	11,934.72	564.33	85.92	-562.95	10.00	9.99	1.15
12,050.00	33.84	177.75	11,977.41	538.35	87.03	-536.96	10.00	9.99	0.84
12,100.00	38.84	178.07	12,017.67	508.75	88.10	-507.35	10.00	9.99	0.64
12,150.00	43.83	178.33	12,055.20	475.76	89.14	-474.34	10.00	9.99	0.52
12,200.00	48.83	178.54	12,089.71	439.61	90.12	-438.18	10.00	10.00	0.43
12,250.00	53.83	178.73	12,120.95	400.60	91.05	-399.16	10.00	10.00	0.37
12,300.00	58.83	178.89	12,148.66	359.01	91.91	-357.56	10.00	10.00	0.33
12,350.00	63.83	179.04	12,172.64	315.16	92.70	-313.71	10.00	10.00	0.29
12,400.00	68.82	179.17	12,192.71	269.39	93.42	-267.93	10.00	10.00	0.27
12,450.00	73.82	179.30	12,208.72	222.04	94.05	-220.58	10.00	10.00	0.25
12,500.00	78.82	179.42	12,220.54	173.48	94.60	-172.01	10.00	10.00	0.24
12,550.00	83.82	179.53	12,228.08	124.07	95.05	-122.60	10.00	10.00	0.23
12,600.00	88.82	179.65	12,231.29	74.19	95.41	-72.72	10.00	10.00	0.23
12,607.70	89.59	179.66	12,231.40	66.49	95.45	-65.02	10.00	10.00	0.23
12,700.00	89.59	179.66	12,232.06	-25.80	96.00	27.27	0.00	0.00	0.00
12,800.00	89.59	179.66	12,232.78	-125.80	96.58	127.26	0.00	0.00	0.00
12,900.00	89.59	179.66	12,233.50	-225.80	97.17	227.26	0.00	0.00	0.00
13,000.00	89.59	179.66	12,234.22	-325.79	97.76	327.25	0.00	0.00	0.00
13,100.00	89.59	179.66	12,234.93	-425.79	98.35	427.24	0.00	0.00	0.00
13,200.00	89.59	179.66	12,235.65	-525.78	98.94	527.23	0.00	0.00	0.00
13,300.00	89.59	179.66	12,236.37	-625.78	99.53	627.23	0.00	0.00	0.00
13,400.00	89.59	179.66	12,237.09	-725.77	100.11	727.22	0.00	0.00	0.00
13,500.00	89.59	179.66	12,237.81	-825.77	100.70	827.21	0.00	0.00	0.00
13,600.00	89.59	179.66	12,238.52	-925.77	101.29	927.21	0.00	0.00	0.00
13,700.00	89.59	179.66	12,239.24	-1,025.76	101.88	1,027.20	0.00	0.00	0.00
13,800.00	89.59	179.66	12,239.96	-1,125.76	102.47	1,127.19	0.00	0.00	0.00
13,900.00	89.59	179.66	12,240.68	-1,225.75	103.06	1,227.19	0.00	0.00	0.00
14,000.00	89.59	179.66	12,241.40	-1,325.75	103.65	1,327.18	0.00	0.00	0.00
14,100.00	89.59	179.66	12,242.11	-1,425.74	104.23	1,427.17	0.00	0.00	0.00
14,200.00	89.59	179.66	12,242.83	-1,525.74	104.82	1,527.16	0.00	0.00	0.00
14,300.00	89.59	179.66	12,243.55	-1,625.74	105.41	1,627.16	0.00	0.00	0.00
14,400.00	89.59	179.66	12,244.27	-1,725.73	106.00	1,727.15	0.00	0.00	0.00
14,500.00	89.59	179.66	12,244.99	-1,825.73	106.59	1,827.14	0.00	0.00	0.00
14,600.00	89.59	179.66	12,245.71	-1,925.72	107.18	1,927.14	0.00	0.00	0.00
14,700.00	89.59	179.66	12,246.42	-2,025.72	107.76	2,027.13	0.00	0.00	0.00
14,800.00	89.59	179.66	12,247.14	-2,125.71	108.35	2,127.12	0.00	0.00	0.00
14,900.00	89.59	179.66	12,247.86	-2,225.71	108.94	2,227.12	0.00	0.00	0.00
15,000.00	89.59	179.66	12,248.58	-2,325.71	109.53	2,327.11	0.00	0.00	0.00

OXY

Planning Report

Database:	HOSPSP	Local Co-ordinate Reference:	Well Chuck Smith MDP1 8_17 Fed Com 3H
Company:	ENGINEERING DESIGNS	TVD Reference:	RKB=25' @ 3495.00ft
Project:	PRD NM DIRECTIONAL PLANS (NAD 1983)	MD Reference:	RKB=25' @ 3495.00ft
Site:	Chuck Smith MDP1 8_17	North Reference:	Grid
Well:	Chuck Smith MDP1 8_17 Fed Com 3H	Survey Calculation Method:	Minimum Curvature
Wellbore:	Wellbore #1		
Design:	Permitting Plan		

Planned Survey									
Measured Depth (ft)	Inclination (°)	Azimuth (°)	Vertical Depth (ft)	+N/-S (ft)	+E/-W (ft)	Vertical Section (ft)	Dogleg Rate (°/100ft)	Build Rate (°/100ft)	Turn Rate (°/100ft)
15,100.00	89.59	179.66	12,249.30	-2,425.70	110.12	2,427.10	0.00	0.00	0.00
15,200.00	89.59	179.66	12,250.01	-2,525.70	110.71	2,527.09	0.00	0.00	0.00
15,300.00	89.59	179.66	12,250.73	-2,625.69	111.30	2,627.09	0.00	0.00	0.00
15,400.00	89.59	179.66	12,251.45	-2,725.69	111.88	2,727.08	0.00	0.00	0.00
15,500.00	89.59	179.66	12,252.17	-2,825.68	112.47	2,827.07	0.00	0.00	0.00
15,600.00	89.59	179.66	12,252.89	-2,925.68	113.06	2,927.07	0.00	0.00	0.00
15,700.00	89.59	179.66	12,253.60	-3,025.67	113.65	3,027.06	0.00	0.00	0.00
15,800.00	89.59	179.66	12,254.32	-3,125.67	114.24	3,127.05	0.00	0.00	0.00
15,900.00	89.59	179.66	12,255.04	-3,225.67	114.83	3,227.05	0.00	0.00	0.00
16,000.00	89.59	179.66	12,255.76	-3,325.66	115.41	3,327.04	0.00	0.00	0.00
16,100.00	89.59	179.66	12,256.48	-3,425.66	116.00	3,427.03	0.00	0.00	0.00
16,200.00	89.59	179.66	12,257.19	-3,525.65	116.59	3,527.02	0.00	0.00	0.00
16,300.00	89.59	179.66	12,257.91	-3,625.65	117.18	3,627.02	0.00	0.00	0.00
16,400.00	89.59	179.66	12,258.63	-3,725.64	117.77	3,727.01	0.00	0.00	0.00
16,500.00	89.59	179.66	12,259.35	-3,825.64	118.36	3,827.00	0.00	0.00	0.00
16,600.00	89.59	179.66	12,260.07	-3,925.64	118.95	3,927.00	0.00	0.00	0.00
16,700.00	89.59	179.66	12,260.78	-4,025.63	119.53	4,026.99	0.00	0.00	0.00
16,800.00	89.59	179.66	12,261.50	-4,125.63	120.12	4,126.98	0.00	0.00	0.00
16,900.00	89.59	179.66	12,262.22	-4,225.62	120.71	4,226.98	0.00	0.00	0.00
17,000.00	89.59	179.66	12,262.94	-4,325.62	121.30	4,326.97	0.00	0.00	0.00
17,100.00	89.59	179.66	12,263.66	-4,425.61	121.89	4,426.96	0.00	0.00	0.00
17,200.00	89.59	179.66	12,264.37	-4,525.61	122.48	4,526.95	0.00	0.00	0.00
17,300.00	89.59	179.66	12,265.09	-4,625.61	123.06	4,626.95	0.00	0.00	0.00
17,400.00	89.59	179.66	12,265.81	-4,725.60	123.65	4,726.94	0.00	0.00	0.00
17,500.00	89.59	179.66	12,266.53	-4,825.60	124.24	4,826.93	0.00	0.00	0.00
17,600.00	89.59	179.66	12,267.25	-4,925.59	124.83	4,926.93	0.00	0.00	0.00
17,700.00	89.59	179.66	12,267.96	-5,025.59	125.42	5,026.92	0.00	0.00	0.00
17,800.00	89.59	179.66	12,268.68	-5,125.58	126.01	5,126.91	0.00	0.00	0.00
17,900.00	89.59	179.66	12,269.40	-5,225.58	126.60	5,226.91	0.00	0.00	0.00
18,000.00	89.59	179.66	12,270.12	-5,325.58	127.18	5,326.90	0.00	0.00	0.00
18,100.00	89.59	179.66	12,270.84	-5,425.57	127.77	5,426.89	0.00	0.00	0.00
18,200.00	89.59	179.66	12,271.56	-5,525.57	128.36	5,526.88	0.00	0.00	0.00
18,300.00	89.59	179.66	12,272.27	-5,625.56	128.95	5,626.88	0.00	0.00	0.00
18,400.00	89.59	179.66	12,272.99	-5,725.56	129.54	5,726.87	0.00	0.00	0.00
18,500.00	89.59	179.66	12,273.71	-5,825.55	130.13	5,826.86	0.00	0.00	0.00
18,600.00	89.59	179.66	12,274.43	-5,925.55	130.71	5,926.86	0.00	0.00	0.00
18,700.00	89.59	179.66	12,275.15	-6,025.55	131.30	6,026.85	0.00	0.00	0.00
18,800.00	89.59	179.66	12,275.86	-6,125.54	131.89	6,126.84	0.00	0.00	0.00
18,900.00	89.59	179.66	12,276.58	-6,225.54	132.48	6,226.84	0.00	0.00	0.00
19,000.00	89.59	179.66	12,277.30	-6,325.53	133.07	6,326.83	0.00	0.00	0.00
19,100.00	89.59	179.66	12,278.02	-6,425.53	133.66	6,426.82	0.00	0.00	0.00
19,200.00	89.59	179.66	12,278.74	-6,525.52	134.25	6,526.81	0.00	0.00	0.00
19,300.00	89.59	179.66	12,279.45	-6,625.52	134.83	6,626.81	0.00	0.00	0.00
19,400.00	89.59	179.66	12,280.17	-6,725.52	135.42	6,726.80	0.00	0.00	0.00
19,500.00	89.59	179.66	12,280.89	-6,825.51	136.01	6,826.79	0.00	0.00	0.00
19,600.00	89.59	179.66	12,281.61	-6,925.51	136.60	6,926.79	0.00	0.00	0.00
19,700.00	89.59	179.66	12,282.33	-7,025.50	137.19	7,026.78	0.00	0.00	0.00
19,800.00	89.59	179.66	12,283.04	-7,125.50	137.78	7,126.77	0.00	0.00	0.00
19,900.00	89.59	179.66	12,283.76	-7,225.49	138.36	7,226.77	0.00	0.00	0.00
20,000.00	89.59	179.66	12,284.48	-7,325.49	138.95	7,326.76	0.00	0.00	0.00
20,100.00	89.59	179.66	12,285.20	-7,425.49	139.54	7,426.75	0.00	0.00	0.00
20,200.00	89.59	179.66	12,285.92	-7,525.48	140.13	7,526.74	0.00	0.00	0.00
20,300.00	89.59	179.66	12,286.63	-7,625.48	140.72	7,626.74	0.00	0.00	0.00
20,400.00	89.59	179.66	12,287.35	-7,725.47	141.31	7,726.73	0.00	0.00	0.00
20,500.00	89.59	179.66	12,288.07	-7,825.47	141.90	7,826.72	0.00	0.00	0.00

OXY Planning Report

Database:	HOPSPP	Local Co-ordinate Reference:	Well Chuck Smith MDP1 8_17 Fed Com 3H
Company:	ENGINEERING DESIGNS	TVD Reference:	RKB=25' @ 3495.00ft
Project:	PRD NM DIRECTIONAL PLANS (NAD 1983)	MD Reference:	RKB=25' @ 3495.00ft
Site:	Chuck Smith MDP1 8_17	North Reference:	Grid
Well:	Chuck Smith MDP1 8_17 Fed Com 3H	Survey Calculation Method:	Minimum Curvature
Wellbore:	Wellbore #1		
Design:	Permitting Plan		

Planned Survey										
Measured Depth (ft)	Inclination (°)	Azimuth (°)	Vertical Depth (ft)	+N/-S (ft)	+E/-W (ft)	Vertical Section (ft)	Dogleg Rate (°/100ft)	Build Rate (°/100ft)	Turn Rate (°/100ft)	
20,600.00	89.59	179.66	12,288.79	-7,925.46	142.48	7,926.72	0.00	0.00	0.00	
20,700.00	89.59	179.66	12,289.51	-8,025.46	143.07	8,026.71	0.00	0.00	0.00	
20,800.00	89.59	179.66	12,290.22	-8,125.46	143.66	8,126.70	0.00	0.00	0.00	
20,900.00	89.59	179.66	12,290.94	-8,225.45	144.25	8,226.69	0.00	0.00	0.00	
21,000.00	89.59	179.66	12,291.66	-8,325.45	144.84	8,326.69	0.00	0.00	0.00	
21,100.00	89.59	179.66	12,292.38	-8,425.44	145.43	8,426.68	0.00	0.00	0.00	
21,200.00	89.59	179.66	12,293.10	-8,525.44	146.01	8,526.67	0.00	0.00	0.00	
21,300.00	89.59	179.66	12,293.82	-8,625.43	146.60	8,626.67	0.00	0.00	0.00	
21,400.00	89.59	179.66	12,294.53	-8,725.43	147.19	8,726.66	0.00	0.00	0.00	
21,500.00	89.59	179.66	12,295.25	-8,825.43	147.78	8,826.65	0.00	0.00	0.00	
21,600.00	89.59	179.66	12,295.97	-8,925.42	148.37	8,926.65	0.00	0.00	0.00	
21,700.00	89.59	179.66	12,296.69	-9,025.42	148.96	9,026.64	0.00	0.00	0.00	
21,800.00	89.59	179.66	12,297.41	-9,125.41	149.55	9,126.63	0.00	0.00	0.00	
21,900.00	89.59	179.66	12,298.12	-9,225.41	150.13	9,226.62	0.00	0.00	0.00	
22,000.00	89.59	179.66	12,298.84	-9,325.40	150.72	9,326.62	0.00	0.00	0.00	
22,100.00	89.59	179.66	12,299.56	-9,425.40	151.31	9,426.61	0.00	0.00	0.00	
22,200.00	89.59	179.66	12,300.28	-9,525.39	151.90	9,526.60	0.00	0.00	0.00	
22,300.00	89.59	179.66	12,301.00	-9,625.39	152.49	9,626.60	0.00	0.00	0.00	
22,400.00	89.59	179.66	12,301.71	-9,725.39	153.08	9,726.59	0.00	0.00	0.00	
22,500.00	89.59	179.66	12,302.43	-9,825.38	153.66	9,826.58	0.00	0.00	0.00	
22,600.00	89.59	179.66	12,303.15	-9,925.38	154.25	9,926.58	0.00	0.00	0.00	
22,700.00	89.59	179.66	12,303.87	-10,025.37	154.84	10,026.57	0.00	0.00	0.00	
22,800.00	89.59	179.66	12,304.59	-10,125.37	155.43	10,126.56	0.00	0.00	0.00	
22,857.70	89.59	179.66	12,305.00	-10,183.07	155.77	10,184.26	0.00	0.00	0.00	

Design Targets										
Target Name	Dip Angle (°)	Dip Dir. (°)	TVD (ft)	+N/-S (ft)	+E/-W (ft)	Northing (usft)	Easting (usft)	Latitude	Longitude	
FTP (Chuck Smith - hit/miss target - Shape - Point	0.00	0.00	12,230.00	261.31	94.31	451,033.04	706,333.43	32.238839	-103.799684	- plan misses target center by 32.22ft at 12419.62ft MD (12199.49 TVD, 250.98 N, 93.68 E)
PBHL (Chuck Smith - plan hits target center - Point	0.00	0.01	12,305.00	-10,183.07	155.77	440,589.31	706,394.89	32.210131	-103.799653	

OXY Planning Report

Database:	HOPSPP	Local Co-ordinate Reference:	Well Chuck Smith MDP1 8_17 Fed Com 3H
Company:	ENGINEERING DESIGNS	TVD Reference:	RKB=25' @ 3495.00ft
Project:	PRD NM DIRECTIONAL PLANS (NAD 1983)	MD Reference:	RKB=25' @ 3495.00ft
Site:	Chuck Smith MDP1 8_17	North Reference:	Grid
Well:	Chuck Smith MDP1 8_17 Fed Com 3H	Survey Calculation Method:	Minimum Curvature
Wellbore:	Wellbore #1		
Design:	Permitting Plan		

Formations

Measured Depth (ft)	Vertical Depth (ft)	Name	Lithology	Dip (°)	Dip Direction (°)
607.00	607.00	RUSTLER			
959.00	959.00	SALADO			
2,747.00	2,747.00	CASTILE			
4,250.00	4,250.00	DELAWARE			
4,274.00	4,274.00	BELL CANYON			
5,218.00	5,218.00	CHERRY CANYON			
6,417.00	6,417.00	BRUSHY CANYON			
8,132.42	8,131.00	BONE SPRING			
9,180.75	9,165.00	BONE SPRING 1ST			
9,827.57	9,802.00	BONE SPRING 2ND			
11,090.77	11,046.00	BONE SPRING 3RD			
11,550.76	11,499.00	WOLFCAMP			
11,728.22	11,675.00	WOLFCAMP A			

Plan Annotations

Measured Depth (ft)	Vertical Depth (ft)	Local Coordinates		Comment
		+N/-S (ft)	+E/-W (ft)	
7,478.00	7,478.00	0.00	0.00	Build 1°/100'
8,478.06	8,472.99	86.40	10.63	Hold 10° Tangent
11,612.64	11,559.94	626.67	77.11	KOP, Build & Turn 10°/100'
12,607.70	12,231.40	66.49	95.45	Landing Point
22,857.70	12,305.00	-10,183.07	155.77	TD at 22857.70' MD



Project: PRD NM DIRECTIONAL PLANS (NAD 1983)
 Site: Chuck Smith MDP1 8_17
 Well: Chuck Smith MDP1 8_17 Fed Com 3H
 Wellbore: Wellbore #1
 Design: Permitting Plan

PROJECT DETAILS: NM DIRECTIONAL PLANS (NAD 1983)

Geodetic System: US State Plane 1983
 Datum: North American Datum 1983
 Ellipsoid: GRS 1980
 Zone: New Mexico Eastern Zone

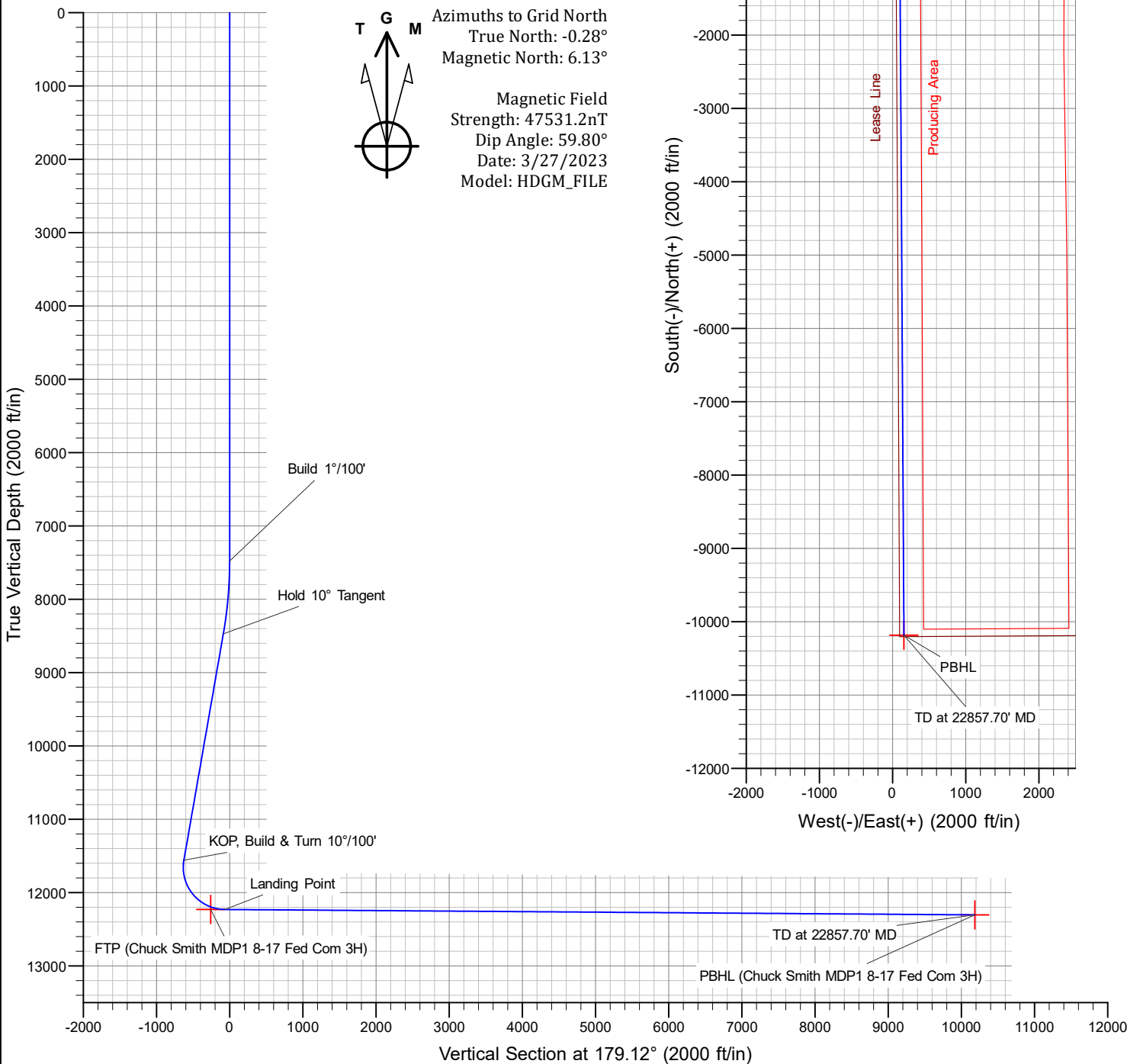
System Datum: Mean Sea Level

WELL DETAILS: Chuck Smith MDP1 8_17 Fed Com 3H

			3470.00		
+N-/S	+E-/W	Northing	Easting	Latitude	Longitude
0.00	0.00	450771.75	706239.13	32.238122	-103.799992

SECTION DETAILS

MD	Inc	Azi	TVD	+N-/S	+E-/W	Dleg	TFace	VSec	Annotation
0.00	0.00	0.00	0.00	0.00	0.00	0.00	0.00	0.00	
7478.00	0.00	0.00	7478.00	0.00	0.00	0.00	0.00	0.00	Build 1°/100'
8478.06	10.00	7.02	8472.99	86.40	10.63	1.00	7.02	-86.23	Hold 10° Tangent
11612.64	10.00	7.02	11559.94	626.67	77.11	0.00	0.00	-625.42	KOP, Build & Turn 10°/100'
12607.70	89.59	179.66	12231.40	66.49	95.45	10.00	172.54	-65.02	Landing Point
22857.70	89.59	179.66	12305.00	-10183.07	155.77	0.00	0.00	10184.26	TD at 22857.70' MD



PECOS DISTRICT DRILLING CONDITIONS OF APPROVAL

OPERATOR'S NAME:	OXY USA INCORPORATED
WELL NAME & NO.:	CHUCK SMITH MDP1 8-17 FEDERAL COM 3H
SURFACE HOLE FOOTAGE:	361'/S & 2595'/W
BOTTOM HOLE FOOTAGE:	20'/S & 2585'/E
LOCATION:	Section 8, T.24 S., R.31 E.
COUNTY:	Eddy County, New Mexico

COA

H2S	<input checked="" type="radio"/> Yes	<input type="radio"/> No	
Potash	<input type="radio"/> None	<input checked="" type="radio"/> Secretary	<input type="radio"/> R-111-P
Cave/Karst Potential	<input checked="" type="radio"/> Low	<input type="radio"/> Medium	<input type="radio"/> High
Cave/Karst Potential	<input type="radio"/> Critical		
Variance	<input type="radio"/> None	<input checked="" type="radio"/> Flex Hose	<input type="radio"/> Other
Wellhead	<input type="radio"/> Conventional	<input checked="" type="radio"/> Multibowl	<input type="radio"/> Both
Wellhead Variance	<input type="radio"/> Diverter		
Other	<input type="checkbox"/> 4 String	<input type="checkbox"/> Capitan Reef	<input type="checkbox"/> WIPP
Other	<input type="checkbox"/> Fluid Filled	<input type="checkbox"/> Pilot Hole	<input type="checkbox"/> Open Annulus
Cementing	<input type="checkbox"/> Contingency Cement Squeeze	<input type="checkbox"/> EchoMeter	<input checked="" type="checkbox"/> Primary Cement Squeeze
Special Requirements	<input type="checkbox"/> Water Disposal	<input checked="" type="checkbox"/> COM	<input type="checkbox"/> Unit
Special Requirements	<input type="checkbox"/> Batch Sundry		
Special Requirements Variance	<input checked="" type="checkbox"/> Break Testing	<input checked="" type="checkbox"/> Offline Cementing	<input type="checkbox"/> Casing Clearance

A. HYDROGEN SULFIDE

A Hydrogen Sulfide (H2S) Drilling Plan shall be activated AT SPUD. As a result, the Hydrogen Sulfide area must meet Onshore Order 6 requirements, which includes equipment and personnel/public protection items. If Hydrogen Sulfide is encountered, please provide measured values and formations to the BLM.

B. CASING

Primary Casing Design:

1. The 13-3/8 inch surface casing shall be set at approximately 899 feet (a minimum of 70 feet (Eddy County) into the Rustler Anhydrite, above the salt, and below usable fresh water) and cemented to the surface.

- a. If cement does not circulate to the surface, the appropriate BLM office shall be notified and a temperature survey utilizing an electronic type temperature survey with surface log readout will be used or a cement bond log shall be run to verify the top of the cement. Temperature survey will be run a minimum of six hours after pumping cement and ideally between 8-10 hours after completing the cement job.
 - b. Wait on cement (WOC) time for a primary cement job will be a minimum of **24 hours in the Potash Area** or 500 pounds compressive strength, whichever is greater. (This is to include the lead cement)
 - c. Wait on cement (WOC) time for a remedial job will be a minimum of 4 hours after bringing cement to surface or 500 pounds compressive strength, whichever is greater.
 - d. If cement falls back, remedial cementing will be done prior to drilling out that string.
2. The 9-5/8 inch intermediate casing shall be set at approximately 11,499 feet. **KEEP CASING MINIMUM 2/3 FULL FOR COLLAPSE SF DURING RUN.** The minimum required fill of cement behind the 9-5/8 inch intermediate casing is:

Option 1 (Single Stage):

- Cement to surface. If cement does not circulate see B.1.a, c-d above.

Operator has proposed to cement in two stages by conventionally cementing the first stage and performing a bradenhead squeeze on the second stage, contingent upon no returns to surface.

- a. First stage: Operator will cement with intent to reach the top of the **Brushy Canyon at 6,667' (963 sxs Class H/C+ additives)**.
 - b. Second stage:
 - Operator will perform bradenhead squeeze and top-out. Cement to surface. If cement does not reach surface, the appropriate BLM office shall be notified. (**Squeeze 1511 sxs Class C**)
- ❖ In Secretary Potash Areas if cement does not circulate to surface on the first two casing strings, the cement on the 3rd casing string must come to surface.

Operator has proposed to pump down 13-3/8" X 9-5/8" annulus. Operator must top out cement after the bradenhead squeeze and verify cement to surface. Operator can also check TOC with Echo-meter. CBL must be run from TD of the 9-5/8" casing to surface if confidence is lacking on the quality of the bradenhead squeeze cement job. Submit results to BLM.

If cement does not tie-back into the previous casing shoe, a third stage remediation BH may be performed. The appropriate BLM office shall be notified.

Bradenhead squeeze in the production interval is only as an edge case remediation measure and is NOT approved in this COA. If production cement job experiences losses and a bradenhead squeeze is needed for tie-back, BLM Engineering should be notified prior to job with volumes and planned wellbore schematic. CBL will be needed when this occurs.

3. The 7 inch x 5.5 inch (XO ~12,049 feet) tapered production casing shall be set at approximately **23,844** feet. The minimum required fill of cement behind the 7 inch x 5.5 inch production casing is:

Option 1 (Single Stage):

- Cement should tie-back at least **500 feet** into previous casing string. Operator shall provide method of verification.

Option 2:

Operator has proposed a DV tool, the depth may be adjusted as long as the cement is changed proportionally. The DV tool may be cancelled if cement circulates to surface on the first stage.

- a. First stage to DV tool: Cement to circulate. If cement does not circulate off the DV tool, contact the appropriate BLM office before proceeding with second stage cement job.
- b. Second stage above DV tool:
 - Cement should tie-back at least **500 feet** into previous casing string. Operator shall provide method of verification.

C. PRESSURE CONTROL

1. Variance approved to use flex line from BOP to choke manifold. Manufacturer's specification to be readily available. No external damage to flex line. Flex line to be installed as straight as possible (no hard bends).'
2. Operator has proposed a multi-bowl wellhead assembly. This assembly will only be tested when installed on the **13-3/8** inch surface casing. Minimum working pressure of the blowout preventer (BOP) and related equipment (BOPE) required for drilling below the surface casing shoe shall be **10,000 (10M) psi. Variance is approved to use a 5000 (5M) Annular which shall be tested to 3500 (70% Working Pressure) psi.**

- a. Wellhead shall be installed by manufacturer's representatives, submit documentation with subsequent sundry.
- b. If the welding is performed by a third party, the manufacturer's representative shall monitor the temperature to verify that it does not exceed the maximum temperature of the seal.
- c. Manufacturer representative shall install the test plug for the initial BOP test.
- d. If the cement does not circulate and one inch operations would have been possible with a standard wellhead, the well head shall be cut off, cementing operations performed and another wellhead installed.
- e. Whenever any seal subject to test pressure is broken, all the tests in OOGO2.III.A.2.i must be followed.

D. SPECIAL REQUIREMENT (S)

Communitization Agreement

- The operator will submit a Communitization Agreement to the Santa Fe Office, 301 Dinosaur Trail Santa Fe, New Mexico 87508, at least 90 days before the anticipated date of first production from a well subject to a spacing order issued by the New Mexico Oil Conservation Division. The Communitization Agreement will include the signatures of all working interest owners in all Federal and Indian leases subject to the Communitization Agreement (i.e., operating rights owners and lessees of record), or certification that the operator has obtained the written signatures of all such owners and will make those signatures available to the BLM immediately upon request.
- The operator will submit an as-drilled survey well plat of the well completion, but are not limited to, those specified in Onshore Order 1 and 2.
- If the operator does not comply with this condition of approval, the BLM may take enforcement actions that include, but are not limited to, those specified in 43 CFR 3163.1.
- In addition, the well sign shall include the surface and bottom hole lease numbers. When the Communitization Agreement number is known, it shall also be on the sign.

(Note: For a minimum 5M BOPE or less (Utilizing a 10M BOPE system)

BOPE Break Testing Variance

- BOPE Break Testing is ONLY permitted for 5M BOPE or less. **(Annular preventer must be tested to a minimum of 70% of BOPE working pressure and shall be higher than the MASP)**
- BOPE Break Testing is NOT permitted to drilling the production hole section.
- Variance only pertains to the intermediate hole-sections and no deeper than the Bone Springs formation.
- While in transfer between wells, the BOPE shall be secured by the hydraulic carrier or cradle.
- Any well control event while drilling require notification to the BLM Petroleum Engineer (575-706-2779) prior to the commencement of any BOPE Break Testing operations.

- A full BOPE test is required prior to drilling the first deep intermediate hole section. If any subsequent hole interval is deeper than the first, a full BOPE test will be required. (200' TVD tolerance between intermediate shoes is allowable).
- The BLM is to be contacted (575-361-2822 Eddy County) 4 hours prior to BOPE tests.
- As a minimum, a full BOPE test shall be performed at 21-day intervals.
- In the event any repairs or replacement of the BOPE is required, the BOPE shall test as per Onshore Oil and Gas Order No. 2.
- If in the event break testing is not utilized, then a full BOPE test would be conducted.

Offline Cementing

Contact the BLM prior to the commencement of any offline cementing procedure.

GENERAL REQUIREMENTS

The BLM is to be notified in advance for a representative to witness:

- a. Spudding well (minimum of 24 hours)
- b. Setting and/or Cementing of all casing strings (minimum of 4 hours)
- c. BOPE tests (minimum of 4 hours)

Eddy County

EMAIL or call the Carlsbad Field Office, 620 East Greene St., Carlsbad, NM 88220,
BLM_NM_CFO_DrillingNotifications@BLM.GOV
(575) 361-2822

Lea County

Call the Hobbs Field Station, 414 West Taylor, Hobbs NM 88240,
(575) 689-5981

1. Unless the production casing has been run and cemented or the well has been properly plugged, the drilling rig shall not be removed from over the hole without prior approval.
 - a. In the event the operator has proposed to drill multiple wells utilizing a skid/walking rig. Operator shall secure the wellbore on the current well, after installing and testing the wellhead, by installing a blind flange of like pressure rating to the wellhead and a pressure gauge that can be monitored while drilling is performed on the other well(s).
 - b. When the operator proposes to set surface casing with Spudder Rig
 - Notify the BLM when moving in and removing the Spudder Rig.

- Notify the BLM when moving in the 2nd Rig. Rig to be moved in within 90 days of notification that Spudder Rig has left the location.
 - BOP/BOPE test to be conducted per **43 CFR part 3170 Subpart 3172** as soon as 2nd Rig is rigged up on well.
2. Floor controls are required for 3M or Greater systems. These controls will be on the rig floor, unobstructed, readily accessible to the driller and will be operational at all times during drilling and/or completion activities. Rig floor is defined as the area immediately around the rotary table; the area immediately above the substructure on which the draw works are located, this does not include the dog house or stairway area.
 3. The record of the drilling rate along with the GR/N well log run from TD to surface (horizontal well – vertical portion of hole) shall be submitted to the BLM office as well as all other logs run on the borehole 30 days from completion. If available, a digital copy of the logs is to be submitted in addition to the paper copies. The Rustler top and top and bottom of Salt are to be recorded on the Completion Report.

A. CASING

1. Changes to the approved APD casing program need prior approval if the items substituted are of lesser grade or different casing size or are Non-API. The Operator can exchange the components of the proposal with that of superior strength (i.e. changing from J-55 to N-80, or from 36# to 40#). Changes to the approved cement program need prior approval if the altered cement plan has less volume or strength or if the changes are substantial (i.e. Multistage tool, ECP, etc.). The initial wellhead installed on the well will remain on the well with spools used as needed.
2. Wait on cement (WOC) for Potash Areas: After cementing but before commencing any tests, the casing string shall stand cemented under pressure until both of the following conditions have been met: 1) cement reaches a minimum compressive strength of 500 psi for all cement blends, 2) until cement has been in place at least 24 hours. WOC time will be recorded in the driller's log. The casing integrity test can be done (prior to the cement setting up) immediately after bumping the plug.
3. Wait on cement (WOC) for Water Basin: After cementing but before commencing any tests, the casing string shall stand cemented under pressure until both of the following conditions have been met: 1) cement reaches a minimum compressive strength of 500 psi at the shoe, 2) until cement has been in place at least 8 hours. WOC time will be recorded in the driller's log. See individual casing strings for details regarding lead cement slurry requirements. The casing integrity test can be done (prior to the cement setting up) immediately after bumping the plug.
4. Provide compressive strengths including hours to reach required 500 pounds compressive strength prior to cementing each casing string. Have well specific cement details onsite prior to pumping the cement for each casing string.

5. No pea gravel permitted for remedial or fall back remedial without prior authorization from the BLM engineer.
6. On that portion of any well approved for a 5M BOPE system or greater, a pressure integrity test of each casing shoe shall be performed. Formation at the shoe shall be tested to a minimum of the mud weight equivalent anticipated to control the formation pressure to the next casing depth or at total depth of the well. This test shall be performed before drilling more than 20 feet of new hole.
7. If hardband drill pipe is rotated inside casing, returns will be monitored for metal. If metal is found in samples, drill pipe will be pulled and rubber protectors which have a larger diameter than the tool joints of the drill pipe will be installed prior to continuing drilling operations.
8. Whenever a casing string is cemented in the R-111-P potash area, the NMOCD requirements shall be followed.

B. PRESSURE CONTROL

1. All blowout preventer (BOP) and related equipment (BOPE) shall comply with well control requirements as described in **43 CFR part 3170 Subpart 3172** and **API STD 53 Sec. 5.3**.
2. If a variance is approved for a flexible hose to be installed from the BOP to the choke manifold, the following requirements apply: The flex line must meet the requirements of API 16C. Check condition of flexible line from BOP to choke manifold, replace if exterior is damaged or if line fails test. Line to be as straight as possible with no hard bends and is to be anchored according to Manufacturer's requirements. The flexible hose can be exchanged with a hose of equal size and equal or greater pressure rating. Anchor requirements, specification sheet and hydrostatic pressure test certification matching the hose in service, to be onsite for review. These documents shall be posted in the company man's trailer and on the rig floor.
3. 5M or higher system requires an HCR valve, remote kill line and annular to match. The remote kill line is to be installed prior to testing the system and tested to stack pressure.
4. If the operator has proposed a multi-bowl wellhead assembly in the APD. The following requirements must be met:
 - a. Wellhead shall be installed by manufacturer's representatives, submit documentation with subsequent sundry.

- b. If the welding is performed by a third party, the manufacturer's representative shall monitor the temperature to verify that it does not exceed the maximum temperature of the seal.
 - c. Manufacturer representative shall install the test plug for the initial BOP test.
 - d. Whenever any seal subject to test pressure is broken, all the tests in **43 CFR part 3170 Subpart 3172** must be followed.
 - e. If the cement does not circulate and one inch operations would have been possible with a standard wellhead, the well head shall be cut off, cementing operations performed and another wellhead installed.
5. The appropriate BLM office shall be notified a minimum of 4 hours in advance for a representative to witness the tests.
 - a. In a water basin, for all casing strings utilizing slips, these are to be set as soon as the crew and rig are ready and any fallback cement remediation has been done. The casing cut-off and BOP installation can be initiated four hours after installing the slips, which will be approximately six hours after bumping the plug. For those casing strings not using slips, the minimum wait time before cut-off is eight hours after bumping the plug. BOP/BOPE testing can begin after cut-off or once cement reaches 500 psi compressive strength (including lead cement), whichever is greater. However, if the float does not hold, cut-off cannot be initiated until cement reaches 500 psi compressive strength (including lead when specified).
 - b. In potash areas, for all casing strings utilizing slips, these are to be set as soon as the crew and rig are ready and any fallback cement remediation has been done. For all casing strings, casing cut-off and BOP installation can be initiated at twelve hours after bumping the cement plug. The BOPE test can be initiated after bumping the cement plug with the casing valve open. (only applies to single stage cement jobs, prior to the cement setting up.)
 - c. The tests shall be done by an independent service company utilizing a test plug not a cup or J-packer and can be initiated immediately with the casing valve open. The operator also has the option of utilizing an independent tester to test without a plug (i.e. against the casing) pursuant to **43 CFR part 3170 Subpart 3172** with the pressure not to exceed 70% of the burst rating for the casing. Any test against the casing must meet the WOC time for water basin (8 hours) or potash (24 hours) or 500 pounds compressive strength, whichever is greater, prior to initiating the test (see casing segment as lead cement may be critical item).
 - d. The test shall be run on a 5000 psi chart for a 2-3M BOP/BOP, on a 10000 psi chart for a 5M BOP/BOPE and on a 15000 psi chart for a 10M BOP/BOPE. If a linear chart is used, it shall be a one hour chart. A circular chart shall

have a maximum 2 hour clock. If a twelve hour or twenty-four hour chart is used, tester shall make a notation that it is run with a two hour clock.

- e. The results of the test shall be reported to the appropriate BLM office.
- f. All tests are required to be recorded on a calibrated test chart. A copy of the BOP/BOPE test chart and a copy of independent service company test will be submitted to the appropriate BLM office.
- g. The BOP/BOPE test shall include a low pressure test from 250 to 300 psi. The test will be held for a minimum of 10 minutes if test is done with a test plug and 30 minutes without a test plug. This test shall be performed prior to the test at full stack pressure.
- h. BOP/BOPE must be tested by an independent service company within 500 feet of the top of the Wolfcamp formation if the time between the setting of the intermediate casing and reaching this depth exceeds 20 days. This test does not exclude the test prior to drilling out the casing shoe as per **43 CFR part 3170 Subpart 3172**.

C. DRILLING MUD

Mud system monitoring equipment, with derrick floor indicators and visual and audio alarms, shall be operating before drilling into the Wolfcamp formation, and shall be used until production casing is run and cemented.

D. WASTE MATERIAL AND FLUIDS

All waste (i.e. drilling fluids, trash, salts, chemicals, sewage, gray water, etc.) created as a result of drilling operations and completion operations shall be safely contained and disposed of properly at a waste disposal facility. No waste material or fluid shall be disposed of on the well location or surrounding area.

Porto-johns and trash containers will be on-location during fracturing operations or any other crew-intensive operations.

KPI 8/8/2023

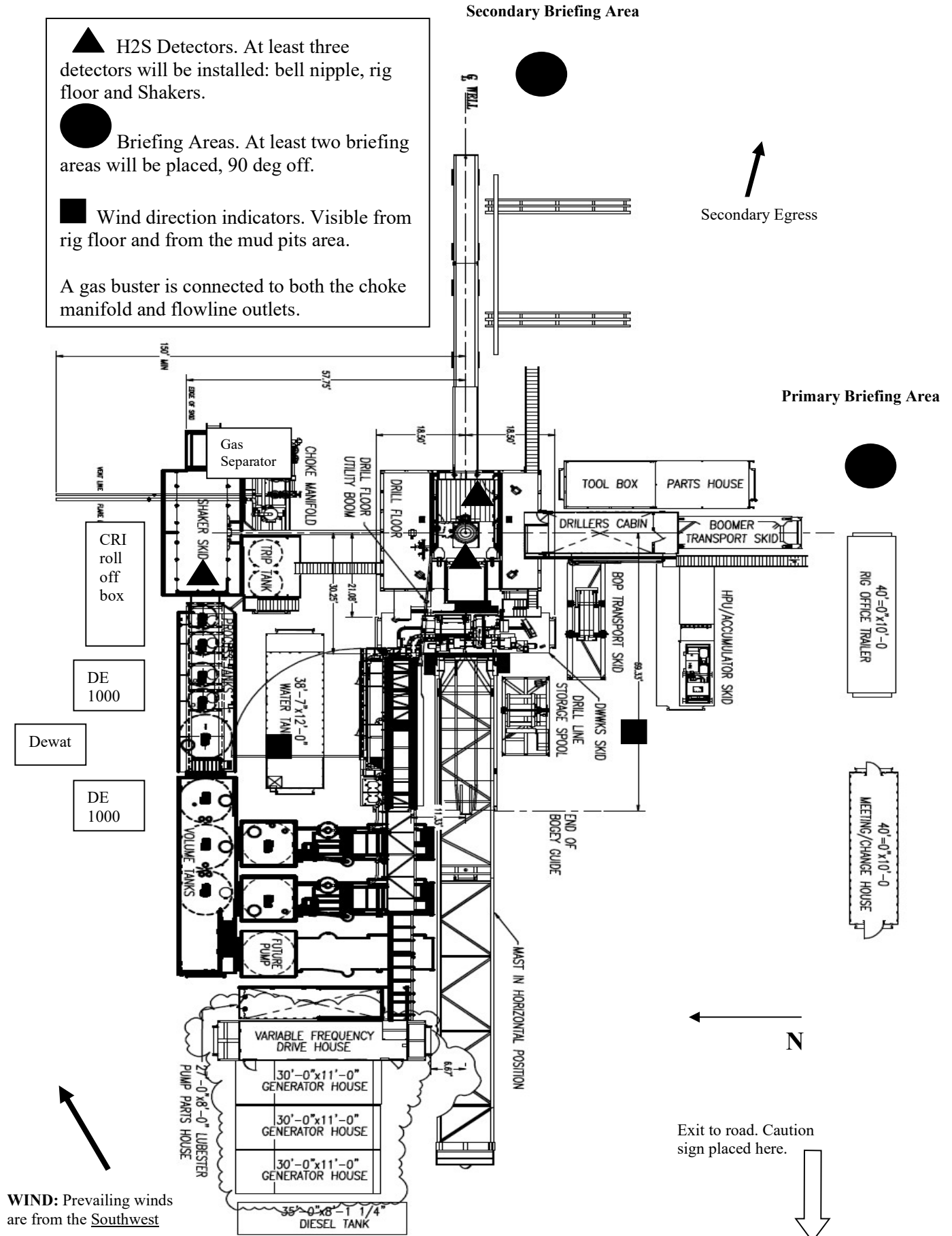


Permian Drilling Hydrogen Sulfide Drilling Operations Plan

Open drill site. No homes or buildings are near the proposed location.

1. Escape

Personnel shall escape upwind of wellbore in the event of an emergency gas release. Escape can take place through the lease road on the Southeast side of the location. Personnel need to move to a safe distance and block the entrance to location. If the primary route is not an option due to the wind direction, then a secondary egress route should be taken.





Permian Drilling Hydrogen Sulfide Drilling Operations Plan New Mexico

Scope

This contingency plan establishes guidelines for the public, all company employees, and contract employees who's work activities may involve exposure to hydrogen sulfide (H₂S) gas.

While drilling this well, it is possible to encounter H₂S bearing formations. At all times, the first barrier to control H₂S emissions will be the drilling fluid, which will have a density high enough to control influx.

Objective

1. Provide an immediate and predetermined response plan to any condition when H₂S is detected. All H₂S detections in excess of 10 parts per million (ppm) concentration are considered an Emergency.
2. Prevent any and all accidents, and prevent the uncontrolled release of hydrogen sulfide into the atmosphere.
3. Provide proper evacuation procedures to cope with emergencies.
4. Provide immediate and adequate medical attention should an injury occur.

Discussion

Implementation:	This plan with all details is to be fully implemented before drilling to <u>commence</u> .
Emergency response Procedure:	This section outlines the conditions and denotes steps to be taken in the event of an emergency.
Emergency equipment Procedure:	This section outlines the safety and emergency equipment that will be required for the drilling of this well.
Training provisions:	This section outlines the training provisions that must be adhered to prior to drilling.
Drilling emergency call lists:	Included are the telephone numbers of all persons to be contacted should an emergency exist.
Briefing:	This section deals with the briefing of all people involved in the drilling operation.
Public safety:	Public safety personnel will be made aware of any potential evacuation and any additional support needed.
Check lists:	Status check lists and procedural check lists have been included to insure adherence to the plan.
General information:	A general information section has been included to supply support information.

Hydrogen Sulfide Training

All personnel, whether regularly assigned, contracted, or employed on an unscheduled basis, will receive training from a qualified instructor in the following areas prior to commencing drilling operations on the well:

1. The hazards and characteristics of H₂S.
2. Proper use and maintenance of personal protective equipment and life support systems.
3. H₂S detection.
4. Proper use of H₂S detectors, alarms, warning systems, briefing areas, evacuation procedures and prevailing winds.
5. Proper techniques for first aid and rescue procedures.
6. Physical effects of hydrogen sulfide on the human body.
7. Toxicity of hydrogen sulfide and sulfur dioxide.
8. Use of SCBA and supplied air equipment.
9. First aid and artificial respiration.
10. Emergency rescue.

In addition, supervisory personnel will be trained in the following areas:

1. The effects of H₂S on metal components. If high tensile strength tubular is to be used, personnel will be trained in their special maintenance requirements.
2. Corrective action and shut-in procedures when drilling a well, blowout prevention and well control procedures.
3. The contents and requirements of the H₂S Drilling Operations Plan.

H₂S training refresher must have been taken within one year prior to drilling the well. Specifics on the well to be drilled will be discussed during the pre-spud meeting. H₂S and well control (choke) drills will be performed while drilling the well, at least on a weekly basis. This plan shall be available in the well site. All personnel will be required to carry the documentation proving that the H₂S training has been taken.

Service company and visiting personnel

- A. Each service company that will be on this well will be notified if the zone contains H₂S.
- B. Each service company must provide for the training and equipment of their employees before they arrive at the well site.
- C. Each service company will be expected to attend a well site briefing

Emergency Equipment Requirements

1. Well control equipment

The well shall have hydraulic BOP equipment for the anticipated pressures. Equipment is to be tested on installation and follow Oxy Well Control standard, as well as BLM Onshore Order #2.

Special control equipment:

- A. Hydraulic BOP equipment with remote control on ground. Remotely operated choke.
- B. Rotating head
- C. Gas buster equipment shall be installed before drilling out of surface pipe.

2. Protective equipment for personnel

- A. Four (4) 30-minute positive pressure air packs (2 at each briefing area) on location.
- B. Adequate fire extinguishers shall be located at strategic locations.
- C. Radio / cell telephone communication will be available at the rig.
 - Rig floor and trailers.
 - Vehicle.

3. Hydrogen sulfide sensors and alarms

- A. H₂S sensor with alarms will be located on the rig floor, at the bell nipple, and at the flow line. These monitors will be set to alarm at 10 ppm with strobe light, and audible alarm.
- B. Hand operated detectors with tubes.
- C. H₂S monitor tester (to be provided by contract Safety Company.)
- D. There shall be one combustible gas detector on location at all times.

4. Visual Warning Systems

- A. One sign located at each location entrance with the following language:

**Caution – potential poison gas
Hydrogen sulfide
No admittance without authorization**

Wind sock – wind streamers:

- A. One 36” (in length) wind sock located at protection center, at height visible from rig floor.
- B. One 36” (in length) wind sock located at height visible from pit areas.

Condition flags

- A. One each condition flag to be displayed to denote conditions.

green – normal conditions
yellow – potential danger
red – danger, H2S present

- B. Condition flag shall be posted at each location sign entrance.

5. Mud Program

The mud program is designed to minimize the risk of having H2S and other formation fluids at surface. Proper mud weight and safe drilling practices will be applied. H2S scavengers will be used to minimize the hazards while drilling. Below is a summary of the drilling program.

Mud inspection devices:

Garrett gas train or hatch tester for inspection of sulfide concentration in mud system.

6. Metallurgy

- A. Drill string, casing, tubing, wellhead, blowout preventers, drilling spools or adapters, kill lines, choke manifold, lines and valves shall be suitable for the H2S service.
- B. All the elastomers, packing, seals and ring gaskets shall be suitable for H2S service.

7. Well Testing

No drill stem test will be performed on this well.

8. Evacuation plan

Evacuation routes should be established prior to well spud for each well and discussed with all rig personnel.

9. Designated area

- A. Parking and visitor area: all vehicles are to be parked at a predetermined safe distance from the wellhead.
- B. There will be a designated smoking area.
- C. Two briefing areas on either side of the location at the maximum allowable distance from the well bore so they offset prevailing winds perpendicularly, or at a 45-degree angle if wind direction tends to shift in the area.

Emergency procedures

- A. In the event of any evidence of H2S level above 10 ppm, take the following steps:
 - 1. The Driller will pick up off bottom, shut down the pumps, slow down the pipe rotation.
 - 2. Secure and don escape breathing equipment, report to the upwind designated safe briefing / muster area.
 - 3. All personnel on location will be accounted for and emergency search should begin for any missing, the Buddy System will be implemented.
 - 4. Order non-essential personnel to leave the well site, order all essential personnel out of the danger zone and upwind to the nearest designated safe briefing / muster area.
 - 5. Entrance to the location will be secured to a higher level than our usual “Meet and Greet” requirement, and the proper condition flag will be displayed at the entrance to the location.
 - 6. Take steps to determine if the H2S level can be corrected or suppressed and, if so, proceed as required.
- B. If uncontrollable conditions occur:
 - 1. Take steps to protect and/or remove any public in the down-wind area from the rig – partial evacuation and isolation. Notify necessary public safety personnel and appropriate regulatory entities (i.e. BLM) of the situation.

2. Remove all personnel to the nearest upwind designated safe briefing / muster area or off location.
3. Notify public safety personnel of safe briefing / muster area.
4. An assigned crew member will blockade the entrance to the location. No unauthorized personnel will be allowed entry to the location.
5. Proceed with best plan (at the time) to regain control of the well. Maintain tight security and safety procedures.

C. Responsibility:

1. Designated personnel.
 - a. Shall be responsible for the total implementation of this plan.
 - b. Shall be in complete command during any emergency.
 - c. Shall designate a back-up.

- All personnel:
1. On alarm, don escape unit and report to the nearest upwind designated safe briefing / muster area upw
 2. Check status of personnel (buddy system).
 3. Secure breathing equipment.
 4. Await orders from supervisor.

- Drill site manager:
1. Don escape unit if necessary and report to nearest upwind designated safe briefing / muster area.
 2. Coordinate preparations of individuals to return to point of release with tool pusher and driller (using the buddy system).
 3. Determine H2S concentrations.
 4. Assess situation and take control measures.

- Tool pusher:
1. Don escape unit Report to up nearest upwind designated safe briefing / muster area.
 2. Coordinate preparation of individuals to return to point of release with tool pusher drill site manager (using the buddy system).
 3. Determine H2S concentration.
 4. Assess situation and take control measures.

- Driller:
1. Don escape unit, shut down pumps, continue

rotating DP.

2. Check monitor for point of release.
3. Report to nearest upwind designated safe briefing / muster area.
4. Check status of personnel (in an attempt to rescue, use the buddy system).
5. Assigns least essential person to notify Drill Site Manager and tool pusher by quickest means in case of their absence.
6. Assumes the responsibilities of the Drill Site Manager and tool pusher until they arrive should they be absent.

Derrick man
Floor man #1
Floor man #2

1. Will remain in briefing / muster area until instructed by supervisor.

Mud engineer:

1. Report to nearest upwind designated safe briefing / muster area.
2. When instructed, begin check of mud for ph and H2S level. (Garett gas train.)

Safety personnel:

1. Mask up and check status of all personnel and secure operations as instructed by drill site manager.

Taking a kick

When taking a kick during an H2S emergency, all personnel will follow standard Well control procedures after reporting to briefing area and masking up.

Open-hole logging

All unnecessary personnel off floor. Drill Site Manager and safety personnel should monitor condition, advise status and determine need for use of air equipment.

Running casing or plugging

Following the same “tripping” procedure as above. Drill Site Manager and safety personnel should determine if all personnel have access to protective equipment.

Ignition procedures

The decision to ignite the well is the responsibility of the operator (Oxy Drilling Management). The decision should be made only as a last resort and in a situation where it is clear that:

1. Human life and property are endangered.
2. There is no hope controlling the blowout under the prevailing conditions at the well.

Instructions for igniting the well

1. Two people are required for the actual igniting operation. They must wear self-contained breathing units and have a safety rope attached. One man (tool pusher or safety engineer) will check the atmosphere for explosive gases with the gas monitor. The other man is responsible for igniting the well.
2. Primary method to ignite: 25 mm flare gun with range of approximately 500 feet.
3. Ignite upwind and do not approach any closer than is warranted.
4. Select the ignition site best for protection, and which offers an easy escape route.
5. Before firing, check for presence of combustible gas.
6. After lighting, continue emergency action and procedure as before.
7. All unassigned personnel will remain in briefing area until instructed by supervisor or directed by the Drill Site Manager.

Remember: After well is ignited, burning hydrogen sulfide will convert to sulfur dioxide, which is also highly toxic. **Do not assume the area is safe after the well is ignited.**

Status check list

Note: All items on this list must be completed before drilling to production casing point.

1. H2S sign at location entrance.
2. Two (2) wind socks located as required.
3. Four (4) 30-minute positive pressure air packs (2 at each Briefing area) on location for all rig personnel and mud loggers.
4. Air packs inspected and ready for use.
5. Cascade system and hose line hook-up as needed.
6. Cascade system for refilling air bottles as needed.
7. Condition flag on location and ready for use.
8. H2S detection system hooked up and tested.
9. H2S alarm system hooked up and tested.
10. Hand operated H2S detector with tubes on location.
11. 1 – 100' length of nylon rope on location.
12. All rig crew and supervisors trained as required.
13. All outside service contractors advised of potential H2S hazard on well.
14. No smoking sign posted and a designated smoking area identified.
15. Calibration of all H2S equipment shall be noted on the IADC report.

Checked by: _____ Date: _____

Procedural check list during H2S events

Perform each tour:

1. Check fire extinguishers to see that they have the proper charge.
2. Check breathing equipment to ensure that it in proper working order.
3. Make sure all the H2S detection system is operative.

Perform each week:

1. Check each piece of breathing equipment to make sure that demand or forced air regulator is working. This requires that the bottle be opened and the mask assembly be put on tight enough so that when you inhale, you receive air or feel air flow.
2. BOP skills (well control drills).
3. Check supply pressure on BOP accumulator stand by source.
4. Check breathing equipment mask assembly to see that straps are loosened and turned back, ready to put on.
5. Check pressure on breathing equipment air bottles to make sure they are charged to full volume. (Air quality checked for proper air grade “D” before bringing to location)
6. Confirm pressure on all supply air bottles.
7. Perform breathing equipment drills with on-site personnel.
8. Check the following supplies for availability.
 - A. Emergency telephone list.
 - B. Hand operated H2S detectors and tubes.

General evacuation plan

1. When the company approved supervisor (Drill Site Manager, consultant, rig pusher, or driller) determines the H₂S gas cannot be limited to the well location and the public will be involved, he will activate the evacuation plan.
2. Drill Site Manager or designee will notify local government agency that a hazardous condition exists and evacuation needs to be implemented.
3. Company or contractor safety personnel that have been trained in the use of H₂S detection equipment and self-contained breathing equipment will monitor H₂S concentrations, wind directions, and area of exposure. They will delineate the outer perimeter of the hazardous gas area. Extension to the evacuation area will be determined from information gathered.
4. Law enforcement personnel (state police, police dept., fire dept., and sheriff's dept.) Will be called to aid in setting up and maintaining road blocks. Also, they will aid in evacuation of the public if necessary.
5. After the discharge of gas has been controlled, company safety personnel will determine when the area is safe for re-entry.

Important: Law enforcement personnel will not be asked to come into a contaminated area. Their assistance will be limited to uncontaminated areas. Constant radio contact will be maintained with them.

Emergency actions

Well blowout – if emergency

1. Evacuate all personnel to “Safe Briefing / Muster Areas” or off location if needed.
2. If sour gas – evacuate rig personnel.
3. If sour gas – evacuate public within 3000 ft radius of exposure.
4. Don SCBA and shut well in if possible using the buddy system.
5. Notify Drilling Superintendent and call 911 for emergency help (fire dept and ambulance) if needed.
6. Implement the Blowout Contingency Plan, and Drilling Emergency Action Plan.
6. Give first aid as needed.

Person down location/facility

1. If immediately possible, contact 911. Give location and wait for confirmation.
2. Don SCBA and perform rescue operation using buddy system.

Toxic effects of hydrogen sulfide

Hydrogen sulfide is extremely toxic. The acceptable ceiling concentration for eight-hour exposure is 10 ppm, which is .001% by volume. Hydrogen sulfide is heavier than air (specific gravity – 1.192) and colorless. It forms an explosive mixture with air between 4.3 and 46.0 percent by volume. Hydrogen sulfide is almost as toxic as hydrogen cyanide and is between five and six times more toxic than carbon monoxide. Toxicity data for hydrogen sulfide and various other gases are compared in table i. Physical effects at various hydrogen sulfide exposure levels are shown in table ii.

Table i
Toxicity of various gases

Common name	Chemical formula	Specific gravity (sc=1)	Threshold limit (1)	Hazardous limit (2)	Lethal concentration (3)
Hydrogen Cyanide	Hcn	0.94	10 ppm	150 ppm/hr	300 ppm
Hydrogen Sulfide	H2S	1.18	10 ppm	250 ppm/hr	600 ppm
Sulfur Dioxide	So2	2.21	5 ppm	-	1000 ppm
Chlorine	Cl2	2.45	1 ppm	4 ppm/hr	1000 ppm
Carbon Monoxide	Co	0.97	50 ppm	400 ppm/hr	1000 ppm
Carbon Dioxide	Co2	1.52	5000 ppm	5%	10%
Methane	Ch4	0.55	90,000 ppm	Combustible above 5% in air	

- 1) threshold limit – concentration at which it is believed that all workers may be repeatedly exposed day after day without adverse effects.
- 2) hazardous limit – concentration that will cause death with short-term exposure.
- 3) lethal concentration – concentration that will cause death with short-term exposure.

Toxic effects of hydrogen sulfide

Table ii
Physical effects of hydrogen sulfide

<u>Percent (%)</u>	<u>Ppm</u>	<u>Concentration Grains 100 std. Ft3*</u>	<u>Physical effects</u>
0.001	<10	00.65	Obvious and unpleasant odor.

0.002	10	01.30	Safe for 8 hours of exposure.
0.010	100	06.48	Kill smell in 3 – 15 minutes. May sting eyes and throat.
0.020	200	12.96	Kills smell shortly; stings eyes and throat.
0.050	500	32.96	Dizziness; breathing ceases in a few minutes; needs prompt artificial respiration.
0.070	700	45.36	Unconscious quickly; death will result if not rescued promptly.
0.100	1000	64.30	Unconscious at once; followed by death within minutes.

*at 15.00 psia and 60'f.

Use of self-contained breathing equipment (SCBA)

1. Written procedures shall be prepared covering safe use of SCBA's in dangerous atmosphere, which might be encountered in normal operations or in emergencies. Personnel shall be familiar with these procedures and the available SCBA.
2. SCBA's shall be inspected frequently at random to insure that they are properly used, cleaned, and maintained.
3. Anyone who may use the SCBA's shall be trained in how to insure proper face-piece to face seal. They shall wear SCBA's in normal air and then wear them in a test atmosphere. (note: such items as facial hair {beard or sideburns} and eyeglasses will not allow proper seal.) Anyone that may be reasonably expected to wear SCBA's should have these items removed before entering a toxic atmosphere. A special mask must be obtained for anyone who must wear eyeglasses or contact lenses.
4. Maintenance and care of SCBA's:
 - a. A program for maintenance and care of SCBA's shall include the following:
 1. Inspection for defects, including leak checks.
 2. Cleaning and disinfecting.
 3. Repair.
 4. Storage.
 - b. Inspection, self-contained breathing apparatus for emergency use shall be inspected monthly.
 1. Fully charged cylinders.
 2. Regulator and warning device operation.
 3. Condition of face piece and connections.
 4. Rubber parts shall be maintained to keep them pliable and prevent deterioration.
 - c. Routinely used SCBA's shall be collected, cleaned and disinfected as frequently as necessary to insure proper protection is provided.
5. Persons assigned tasks that requires use of self-contained breathing equipment shall be certified physically fit (medically cleared) for breathing equipment usage at least annually.
6. SCBA's should be worn when:
 - A. Any employee works near the top or on top of any tank unless test reveals less than 10 ppm of H₂S.

- B. When breaking out any line where H₂S can reasonably be expected.
- C. When sampling air in areas to determine if toxic concentrations of H₂S exists.
- D. When working in areas where over 10 ppm H₂S has been detected.
- E. At any time there is a doubt as to the H₂S level in the area to be entered.

Rescue
First aid for H₂S poisoning

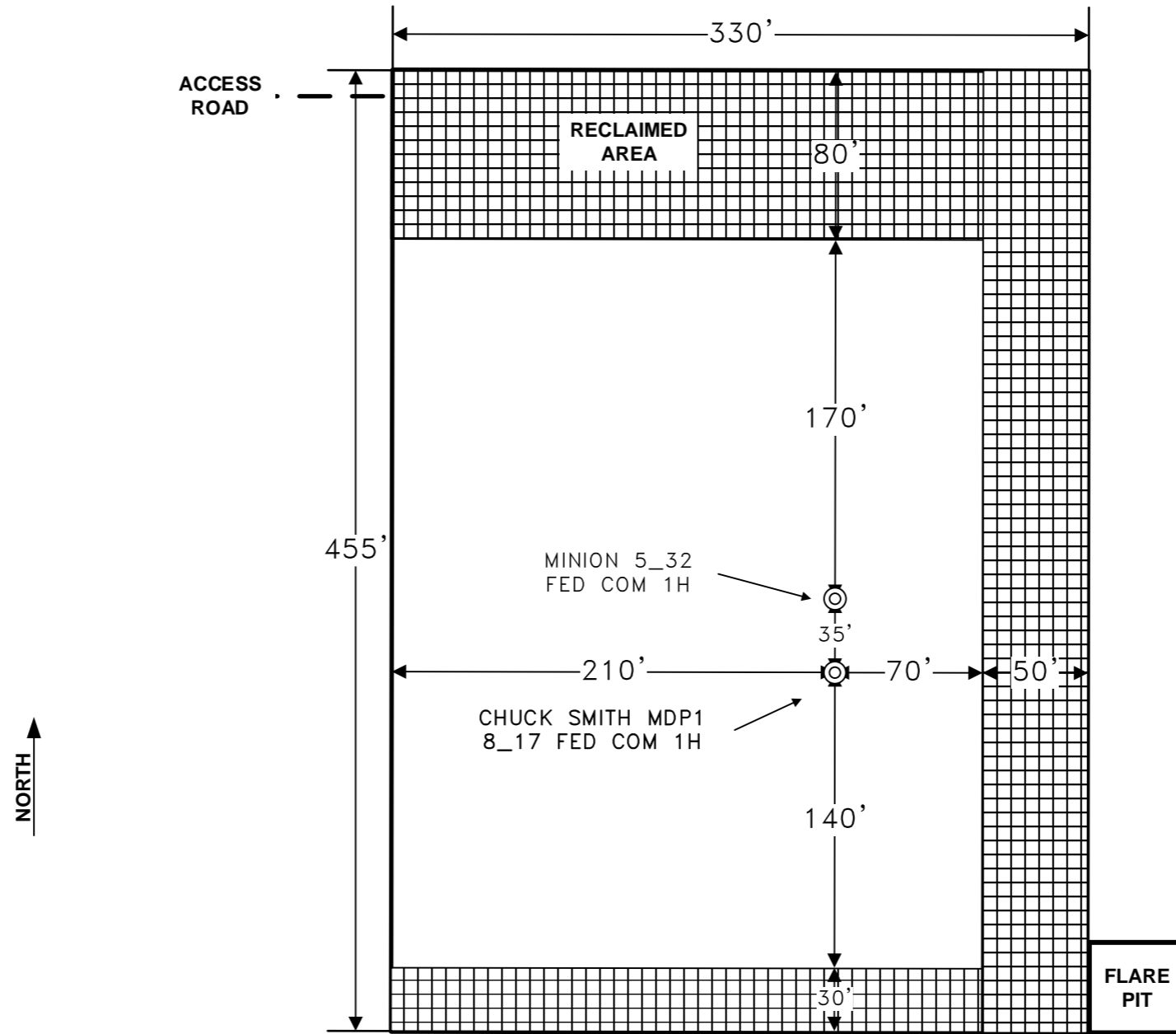
Do not panic!

Remain calm – think!

1. Don SCBA breathing equipment.
2. Remove victim(s) utilizing buddy system to fresh air as quickly as possible. (go up-wind from source or at right angle to the wind. Not down wind.)
3. Briefly apply chest pressure – arm lift method of artificial respiration to clean the victim's lungs and to avoid inhaling any toxic gas directly from the victim's lungs.
4. Provide for prompt transportation to the hospital, and continue giving artificial respiration if needed.
5. Hospital(s) or medical facilities need to be informed, before-hand, of the possibility of H₂S gas poisoning – no matter how remote the possibility is.
6. Notify emergency room personnel that the victim(s) has been exposed to H₂S gas.

Besides basic first aid, everyone on location should have a good working knowledge of artificial respiration.

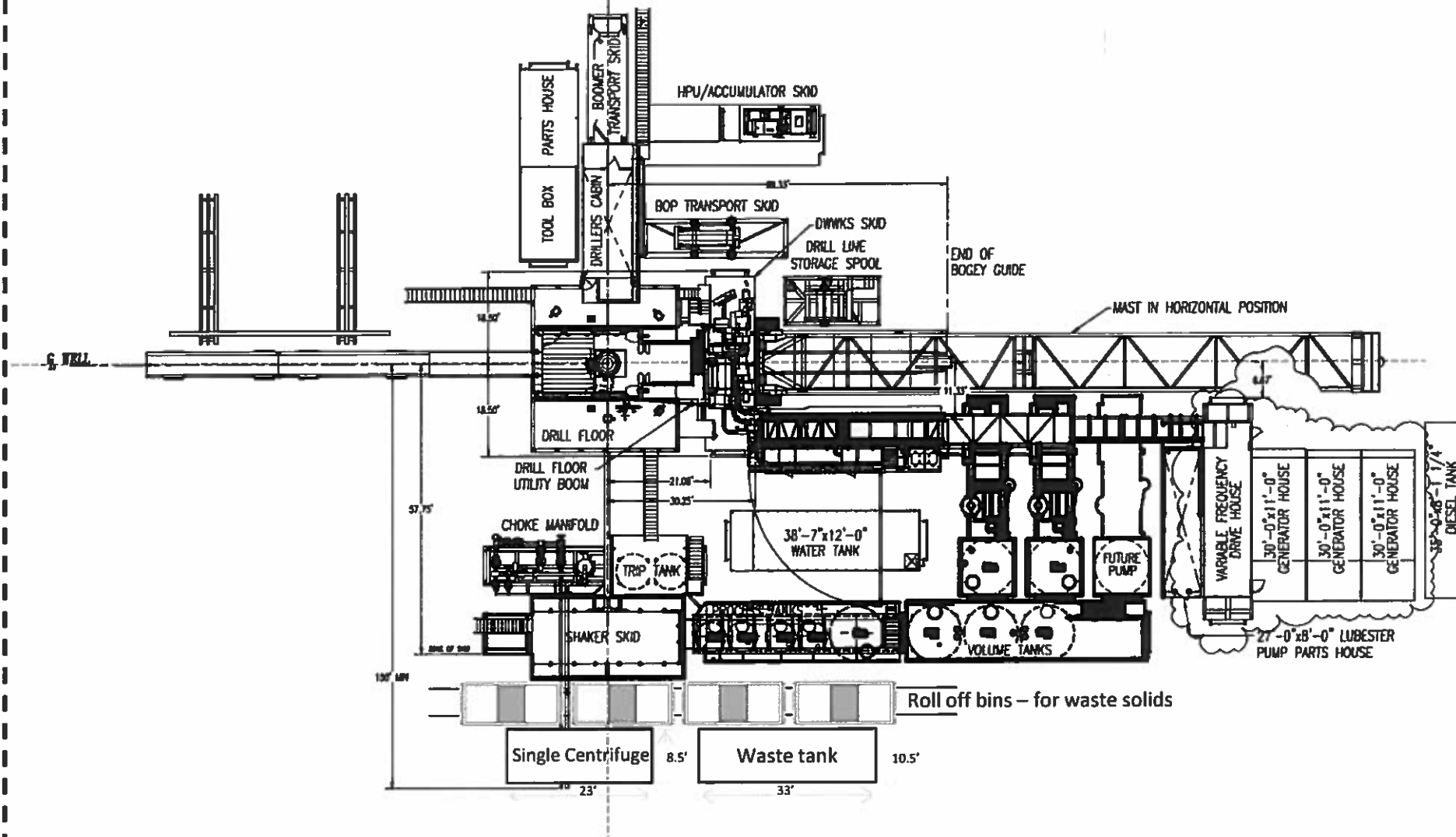
Revised CM 6/27/2012



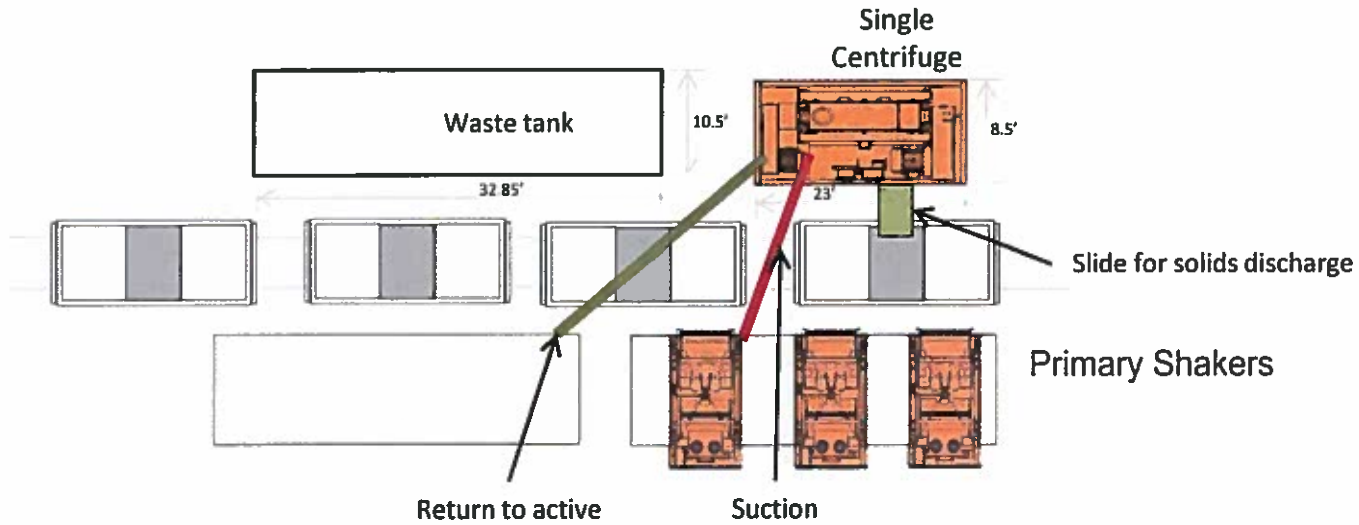
NORTH ↑

REVISION BLOCK						ENGINEERING RECORD		RIG DIAGRAM V-DOOR SOUTH CHUCK SMITH MDP1 8_17 FED COM 1H MINION 5_32 FED COM 1H EDDY COUNTY, NEW MEXICO
NO.	DATE	DESCRIPTION	BY	CHK	APP	BY	DATE	
						LJP	12/17/2019	

Oxy Single Centrifuge
Closed Loop System – New
Mexico Flex III
May 28, 2013

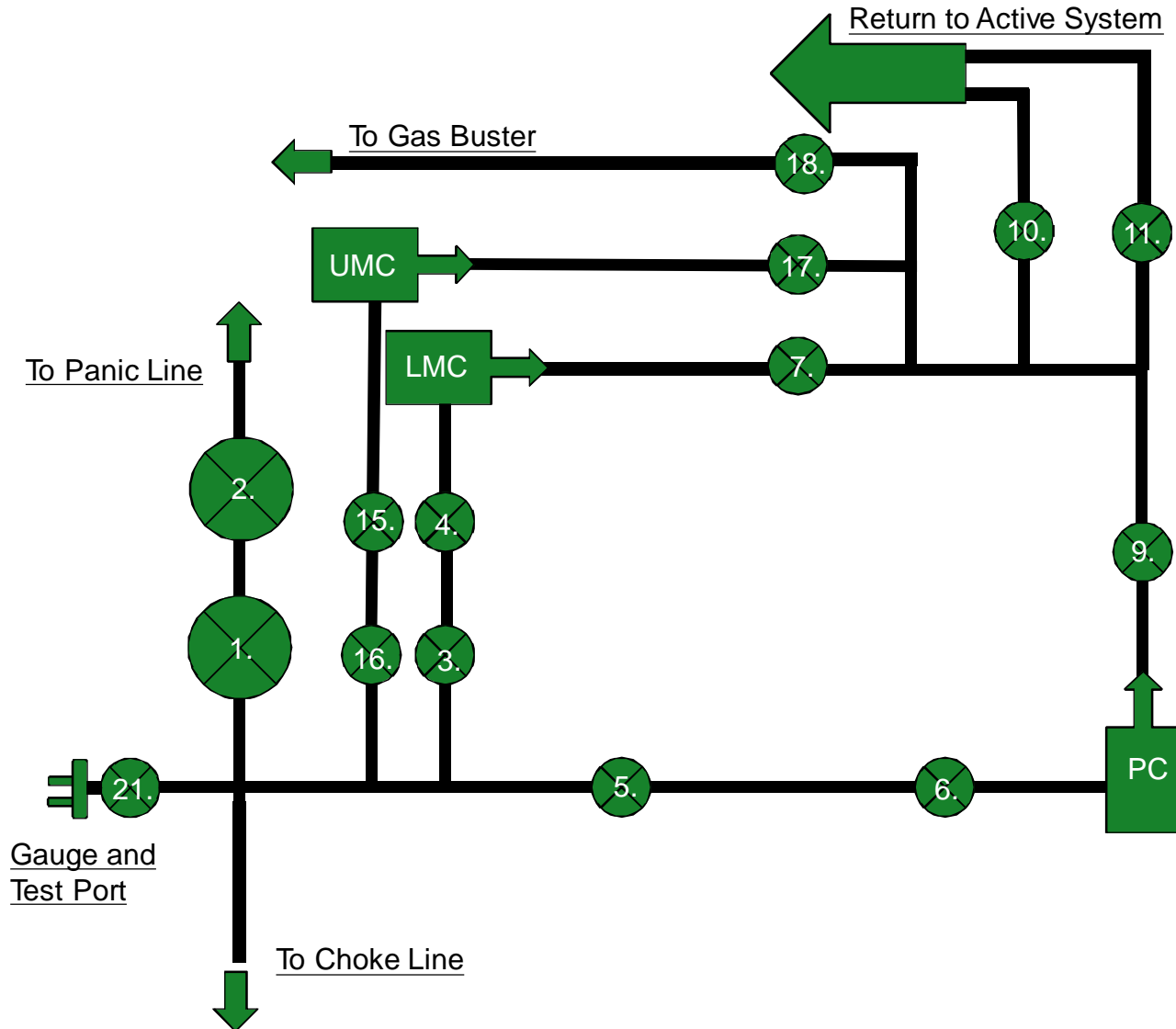


Oxy



Oxy Single Centrifuge
Closed Loop System – New
Mexico Flex III
May 28, 2013

10M Choke Panel

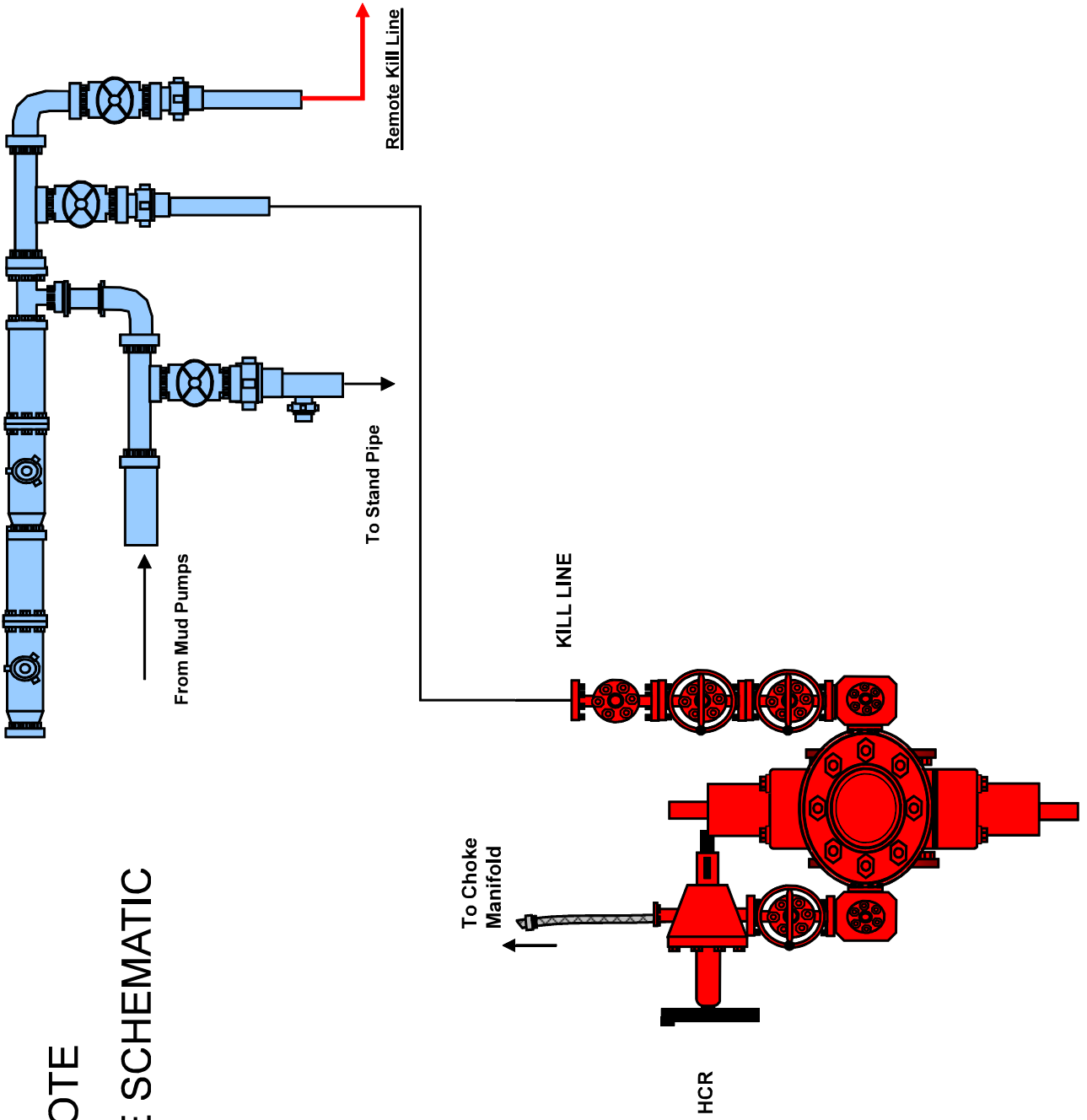


- 1. Choke Manifold Valve
- 2. Choke Manifold Valve
- 3. Choke Manifold Valve
- 4. Choke Manifold Valve
- 5. Choke Manifold Valve
- 6. Choke Manifold Valve
- 7. Choke Manifold Valve
- 8. PC – Power Choke
- 9. Choke Manifold Valve
- 10. Choke Manifold Valve
- 11. Choke Manifold Valve
- 12. LMC – Lower Manual Choke
- 13. UMC – Upper manual choke
- 15. Choke Manifold Valve
- 16. Choke Manifold Valve
- 17. Choke Manifold Valve
- 18. Choke Manifold Valve
- 21. Vertical Choke Manifold Valve

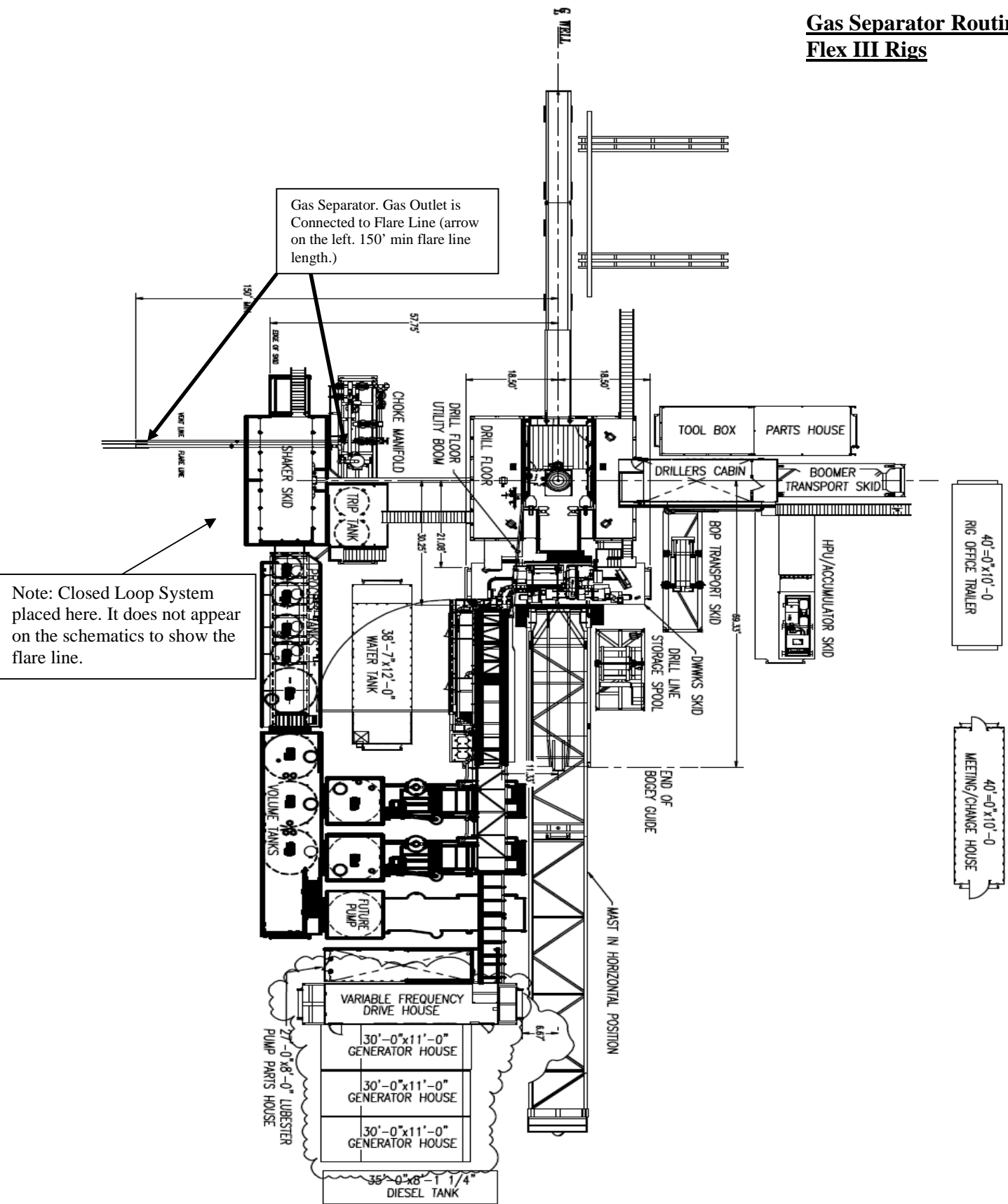
***All Valves 3” minimum**



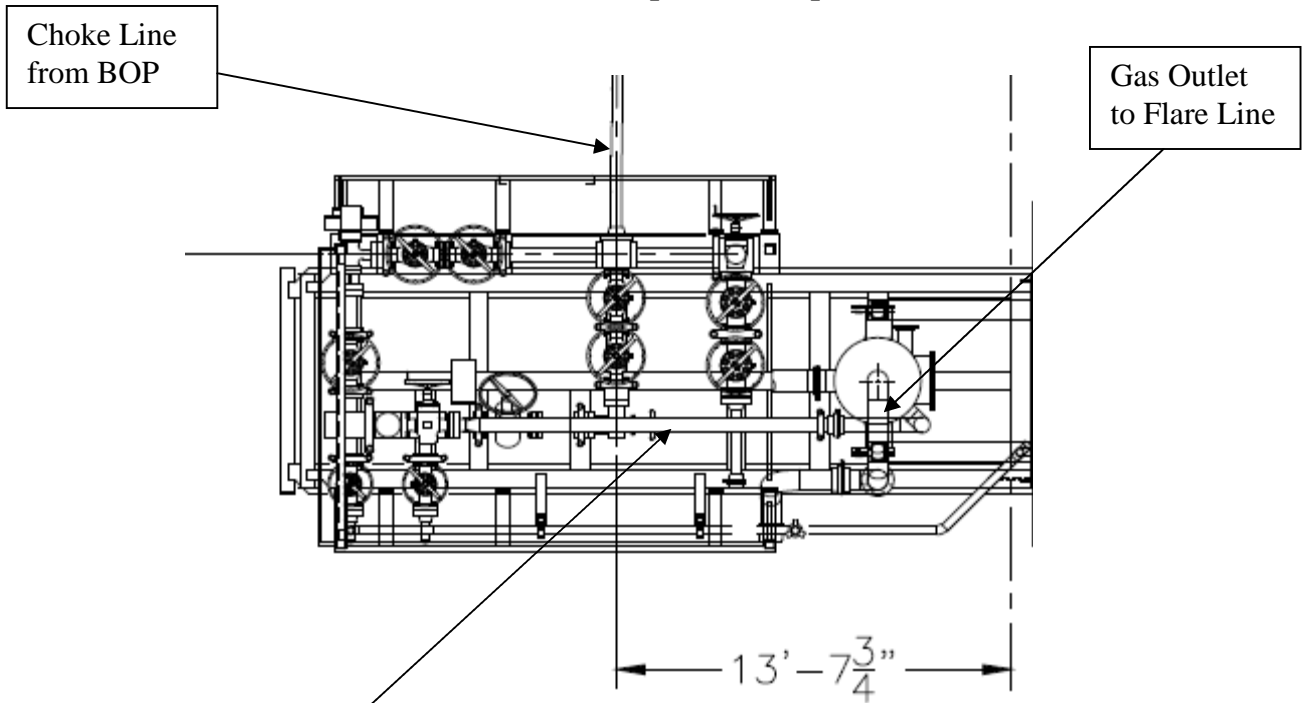
10M REMOTE KILL LINE SCHEMATIC



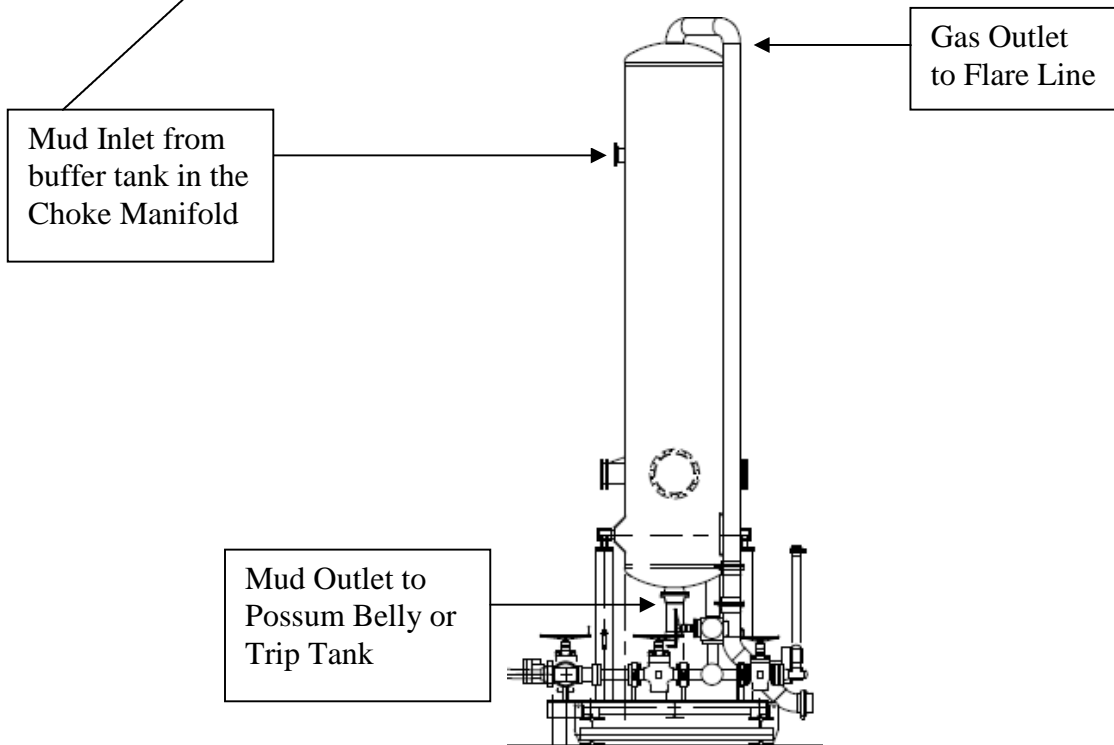
Gas Separator Routing Flex III Rigs

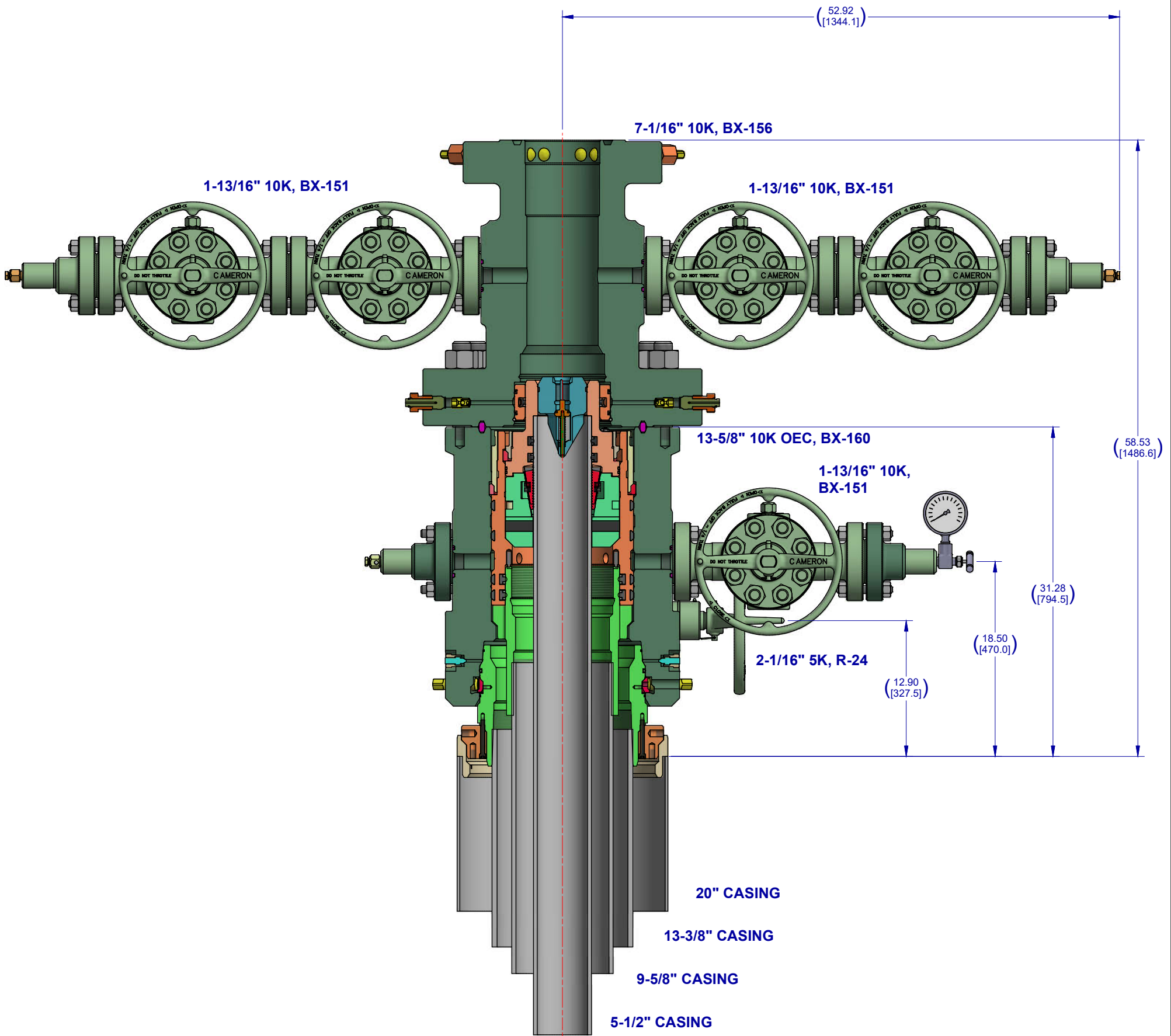


Choke Manifold – Gas Separator (Top View)




Choke Manifold – Gas Separator (Side View)



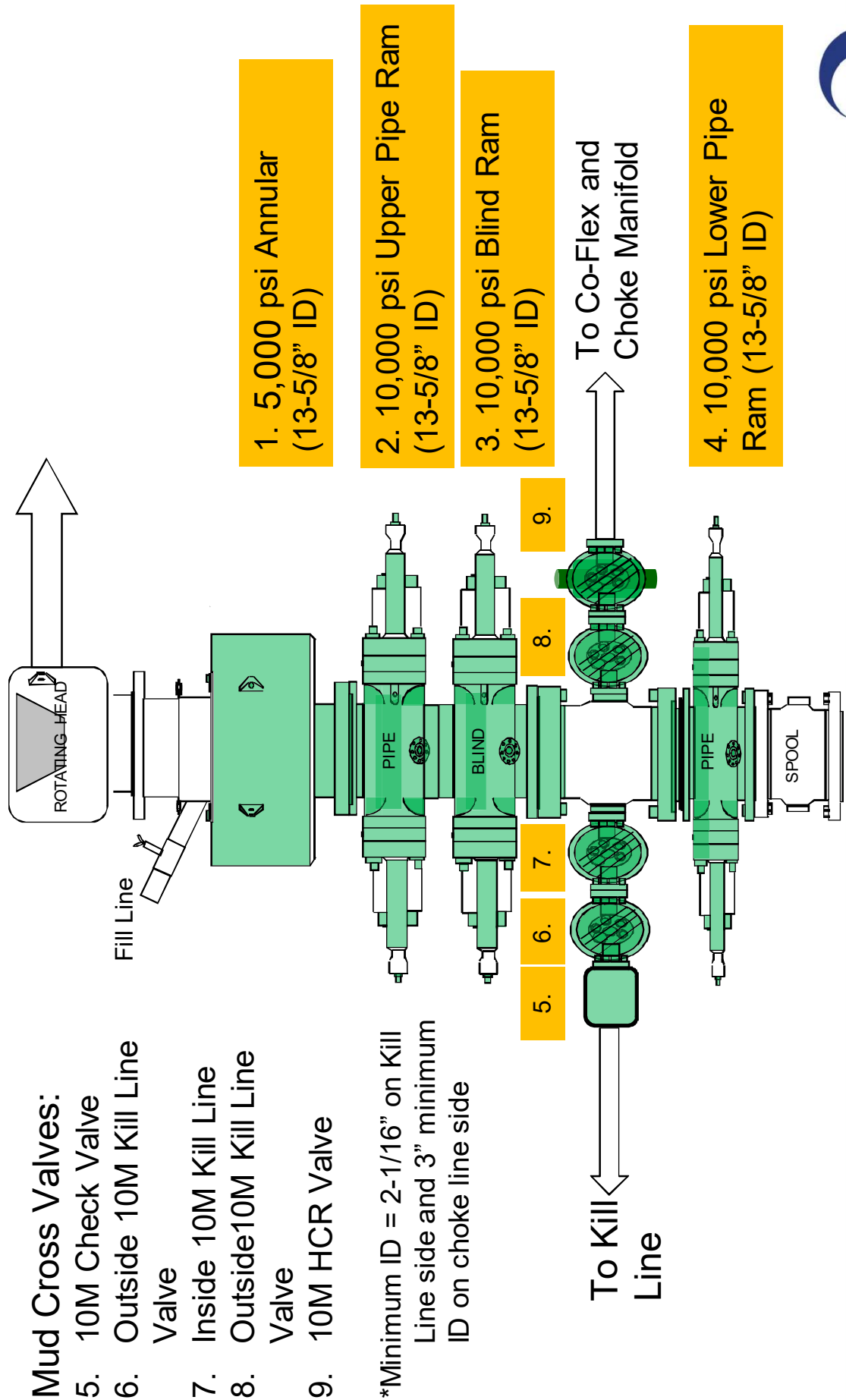


Notes:

1. THIS IS A PROPOSAL DRAWING AND DIMENSIONS SHOWN ARE SUBJECT TO CHANGE DURING THE FINAL DESIGN PROCESS.
2. DIGITALLY ENABLED SOLUTIONS, CHOKES AND ESD'S AVAILABLE ON REQUEST

CONFIDENTIAL			
SURFACE TREATMENT	DO NOT SCALE		SURFACE SYSTEMS
DRAWN BY: D. GOTTUNG	DATE 18 Feb 22	 A Schlumberger Company	OXY 13-5/8" 10K ADAPT 16" X 10-3/4" X 7-5/8" X 5-1/2"
CHECKED BY: D. GOTTUNG	DATE 18 Feb 22		
MATERIAL & HEAT TREAT	APPROVED BY: D. GOTTUNG	DATE 18 Feb 22	ESTIMATED WEIGHT: 6115.068 LBS 2773.748 KG
INITIAL USE B/M:		SHEET 1 of 1	REV: 01 INVENTOR - B
			SD-053434-94-12

5/10M BOP Stack





Fluid Technology
Quality Document

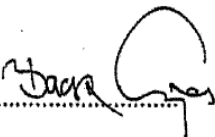
CERTIFICATE OF CONFORMITY

Supplier : CONTITECH RUBBER INDUSTRIAL KFT.
Equipment : 6 pcs. Choke and Kill Hose with installed couplings
Type : 3" x 10,67 m WP: 10000 psi
Supplier File Number : 412638
Date of Shipment : April. 2008
Customer : Phoenix Beattie Co.
Customer P.o. : 002491
Referenced Standards
/ Codes / Specifications : API Spec 16 C
Serial No.: 52754,52755,52776,52777,52778,52782

STATEMENT OF CONFORMITY

We hereby certify that the above items/equipment supplied by us are in conformity with the terms, conditions and specifications of the above Purchaser Order and that these items/equipment were fabricated inspected and tested in accordance with the referenced standards, codes and specifications and meet the relevant acceptance criteria and design requirements.

COUNTRY OF ORIGIN HUNGARY/EU

Signed : 

ContiTech Rubber
 Industrial Kft.
 Quality Control Dept.
 (3)

Date: 04. April. 2008

Position: Q.C. Manager

Coflex Hose Certification

The table is a large grid with approximately 15 columns and 15 rows. The columns are labeled with numbers: 21, 20, 19, 18, 17, 16, 15. The rows are labeled with numbers: 0, 20, 40, 60, 80, 100. The table contains a complex pattern of lines and text, likely representing a technical drawing or data table. There are several handwritten annotations and a signature in the upper right quadrant of the table area.

Back
ContiTech Rubber
Industrial Kft.
Quality Control Dept.
(2)

Coflex Hose Certification

PHOENIX Beattie		Material Identification Certificate								
PA No	006330	Client	HELMERICH & PAYNE INT'L DRILLING Client Ref 370-369-001							
			Page 1							
Part No	Description	Material Desc	Material Spec	Qty	WO No	Batch No	Test Cert No	Bin No	Drg No	Issue No
HP100K3A-35-4F1	3' 10K 16C C&K HOSE x 35ft DAL			1	2491	52777/H884		WATER		
SEC3-HPF3	LIFTING & SAFETY EQUIPMENT TO			1	2440	002440		N/STK		
SC725-200CS	SAFETY CLAMP 200MM 7.25T	CARBON STEEL		1	2519	H655		22C		
SC725-132CS	SAFETY CLAMP 132MM 7.25T	CARBON STEEL		1	2242	H139		22		

We hereby certify that these goods have been inspected by our Quality Management System, and to the best of our knowledge are found to conform to relevant industry standards within the requirements of the purchase order as issued to Phoenix Beattie Corporation.


 05/23/08

Coflex Hose Certification

Form No 100/12



Phoenix Beattie Corp

11535 Brittonmoore Park Drive
Houston, TX 77041
Tel: (832) 327-0141
Fax: (832) 327-0148
E-mail mail@phoenixbeattie.com
www.phoenixbeattie.com

Delivery Note

Customer Order Number	370-369-001	Delivery Note Number	003078	Page	1
Customer / Invoice Address HELMERICH & PAYNE INT'L DRILLING CO 1437 SOUTH BOULDER TULSA, OK 74119		Delivery / Address HELMERICH & PAYNE IDC ATTN: JOE STEPHENSON - RIG 370 13609 INDUSTRIAL ROAD HOUSTON, TX 77015			

Customer Acc No	Phoenix Beattie Contract Manager	Phoenix Beattie Reference	Date
H01	JJL	006330	05/23/2008

Item No	Beattie Part Number / Description	Qty Ordered	Qty Sent	Qty To Follow
1	HP10CK3A-35-4F1 3" 10K 16C C&K HOSE x 35ft OAL CW 4.1/16" API SPEC FLANGE E/ End 1: 4.1/16" 10Kpsi API Spec 6A Type 6BX Flange End 2: 4.1/16" 10Kpsi API Spec 6A Type 6BX Flange c/w BX155 Standard ring groove at each end Suitable for H2S Service Working pressure: 10,000psi Test pressure: 15,000psi Standard: API 16C Full specification Armor Guarding: Included Fire Rating: Not Included Temperature rating: -20 Deg C to +100 Deg C	1	1	0
2	SECK3-HPF3 LIFTING & SAFETY EQUIPMENT TO SUIT HP10CK3-35-F1 2 x 160mm ID Safety Clamps 2 x 244mm ID Lifting Collars & element C's 2 x 7ft Stainless Steel wire rope 3/4" OD 4 x 7.75t Shackles	1	1	0
3	SC725-200CS SAFETY CLAMP 200MM 7.25T C/S GALVANISED	1	1	0



Continued...

All goods remain the property of Phoenix Beattie until paid for in full. Any damage or shortage on this delivery must be advised within 5 days. Returns may be subject to a handling charge.

Coflex Hose Certification



Fluid Technology
Quality Document

QUALITY CONTROL INSPECTION AND TEST CERTIFICATE		CERT. N°: 746	
PURCHASER: Phoenix Beattie Co.		P.O. N°: 002491	
CONTITECH ORDER N°: 412638	HOSE TYPE: 3" ID Choke and Kill Hose		
HOSE SERIAL N°: 52777	NOMINAL / ACTUAL LENGTH: 10,67 m		
W.P. 68,96 MPa 10000 psi	T.P. 103,4 MPa 15000 psi	Duration: 60 -- min.	
Pressure test with water at ambient temperature <p style="text-align: center;">See attachment. (1 page)</p> <p>↑ 10 mm = 10 Min. → 10 mm = 25 MPa</p>			
COUPLINGS			
Type	Serial N°	Quality	Heat N°
3" coupling with 4 1/16" Flange end	917 913	AISI 4130	T7998A
		AISI 4130	26984
INFOCHIP INSTALLED		API Spec 16 C Temperature rate: "B"	
All metal parts are flawless			
WE CERTIFY THAT THE ABOVE HOSE HAS BEEN MANUFACTURED IN ACCORDANCE WITH THE TERMS OF THE ORDER AND PRESSURE TESTED AS ABOVE WITH SATISFACTORY RESULT.			
Date: 04. April. 2008	Inspector	Quality Control ContiTech Rubber Industrial Kit Quality Control Dept. (1)  	

Coflex Hose Certification

Form No 100/12



Phoenix Beattie Corp

11535 Brittonmoore Park Drive
Houston, TX 77041
Tel: (832) 327-0141
Fax: (832) 327-0148
E-mail mail@phoenixbeattie.com
www.phoenixbeattie.com

Delivery Note

Customer Order Number	370-369-001	Delivery Note Number	003078	Page	2
Customer / Invoice Address			Delivery / Address		
HELMERICH & PAYNE INT'L DRILLING CO 1437 SOUTH BOULDER TULSA, OK 74119			HELMERICH & PAYNE IDC ATTN: JOE STEPHENSON - RIG 370 13609 INDUSTRIAL ROAD HOUSTON, TX 77015		

Customer Acc No	Phoenix Beattie Contract Manager	Phoenix Beattie Reference	Date
H01	JJL	006330	05/23/2008

Item No	Beattie Part Number / Description	Qty Ordered	Qty Sent	Qty To Follow
4	SC725-132CS SAFETY CLAMP 132MM 7.25T C/S GALVANIZED C/W BOLTS	1	1	0
5	00CERT-HYDRO HYDROSTATIC PRESSURE TEST CERTIFICATE	1	1	0
6	00CERT-LOAD LOAD TEST CERTIFICATES	1	1	0
7	00FREIGHT INBOUND / OUTBOUND FREIGHT PRE-PAY & ADD TO FINAL INVOICE NOTE: MATERIAL MUST BE ACCOMPANIED BY PAPERWORK INCLUDING THE PURCHASE ORDER, RIG NUMBER TO ENSURE PROPER PAYMENT	1	1	0

Phoenix Beattie Inspection Signature :

Received In Good Condition : Signature

Print Name

Date

All goods remain the property of Phoenix Beattie until paid for in full. Any damage or shortage on this delivery must be advised within 5 days. Returns may be subject to a handling charge.



TenarisHydril Wedge 425[®]



Coupling	Pipe Body
Grade: P110-CY	Grade: P110-CY
Body: White	1st Band: White
1st Band: Grey	2nd Band: Grey
2nd Band: -	3rd Band: -
3rd Band: -	4th Band: -
	5th Band: -
	6th Band: -

Outside Diameter	5.500 in.	Wall Thickness	0.361 in.	Grade	P110-CY
Min. Wall Thickness	87.50 %	Pipe Body Drift	API Standard	Type	Casing
Connection OD Option	REGULAR				

Pipe Body Data

Geometry		Performance	
Nominal OD	5.500 in.	Wall Thickness	0.361 in.
Nominal Weight	20 lb/ft	Plain End Weight	19.83 lb/ft
Drift	4.653 in.	OD Tolerance	API
Nominal ID	4.778 in.		
		Body Yield Strength	641 x1000 lb
		Min. Internal Yield Pressure	12,640 psi
		SMYS	110,000 psi
		Collapse Pressure	11,100 psi

Connection Data

Geometry		Performance		Make-Up Torques	
Connection OD	5.777 in.	Tension Efficiency	90 %	Minimum	15,700 ft-lb
Connection ID	4.734 in.	Joint Yield Strength	577 x1000 lb	Optimum	19,600 ft-lb
Make-up Loss	5.823 in.	Internal Pressure Capacity	12,640 psi	Maximum	21,600 ft-lb
Threads per inch	3.77	Compression Efficiency	90 %		
Connection OD Option	Regular	Compression Strength	577 x1000 lb		
		Max. Allowable Bending	82 °/100 ft		
		External Pressure Capacity	11,100 psi		
				Operation Limit Torques	
				Operating Torque	29,000 ft-lb
				Yield Torque	36,000 ft-lb

Notes

This connection is fully interchangeable with:
 TORQ® SFW™ - 5.5 in. - 0.361 in.
 Connections with Dopeless® Technology are fully compatible with the same connection in its Standard version

For the latest performance data, always visit our website: www.tenaris.com

Tenaris has issued this document for general information only, and the information in this document, including, without limitation, any pictures, drawings or designs ("Information") is not intended to constitute professional or any other type of advice or recommendation and is provided on an "as is" basis. No warranty is given. Tenaris has not independently verified any information—if any—provided by the user in connection with, or for the purpose of, the Information contained hereunder. The use of the Information is at user's own risk and Tenaris does not assume any responsibility or liability of any kind for any loss, damage or injury resulting from, or in connection with any Information contained hereunder or any use thereof. The Information in this document is subject to change or modification without notice. Tenaris's products and services are subject to Tenaris's standard terms and conditions or otherwise to the terms resulting from the respective contracts of sale or services, as the case may be, between petitioner and Tenaris. For more complete information please contact a Tenaris's representative or visit our website at www.tenaris.com. ©Tenaris 2021. All rights reserved.



TenarisHydril Wedge 441[®]



Coupling	Pipe Body
Grade: P110-CY	Grade: P110-CY
Body: White	1st Band: White
1st Band: Grey	2nd Band: Grey
2nd Band: -	3rd Band: -
3rd Band: -	4th Band: -
	5th Band: -
	6th Band: -

Outside Diameter	5.500 in.	Wall Thickness	0.361 in.	Grade	P110-CY
Min. Wall Thickness	87.50 %	Drift	API Standard	Type	Casing
Connection OD Option	REGULAR				

Pipe Body Data

Geometry				Performance	
Nominal OD	5.500 in.	Wall Thickness	0.361 in.	Body Yield Strength	641 x1000 lb
Nominal Weight	20 lb/ft	Plain End Weight	19.83 lb/ft	Min. Internal Yield Pressure	12,640 psi
Drift	4.653 in.	OD Tolerance	API	SMYS	110,000 psi
Nominal ID	4.778 in.			Collapse Pressure	11,100 psi

Connection Data

Geometry		Performance		Make-Up Torques	
Connection OD	5.852 in.	Tension Efficiency	81.50 %	Minimum	15,000 ft-lb
Coupling Length	8.714 in.	Joint Yield Strength	522 x1000 lb	Optimum	16,000 ft-lb
Connection ID	4.778 in.	Internal Pressure Capacity	12,640 psi	Maximum	19,200 ft-lb
Make-up Loss	3.780 in.	Compression Efficiency	81.50 %		
Threads per inch	3.40	Compression Strength	522 x1000 lb	Operation Limit Torques	
Connection OD Option	Regular	Max. Allowable Bending	71 °/100 ft	Operating Torque	32,000 ft-lb
		External Pressure Capacity	11,100 psi	Yield Torque	38,000 ft-lb
				Buck-On	
				Minimum	19,200 ft-lb
				Maximum	20,700 ft-lb

Notes

This connection is fully interchangeable with:
 Wedge 441® - 5.5 in. - 0.304 in.
 Connections with Dopeless® Technology are fully compatible with the same connection in its Standard version

For the latest performance data, always visit our website: www.tenaris.com

Tenaris has issued this document for general information only, and the information in this document, including, without limitation, any pictures, drawings or designs ("Information") is not intended to constitute professional or any other type of advice or recommendation and is provided on an "as is" basis. No warranty is given. Tenaris has not independently verified any information—if any—provided by the user in connection with, or for the purpose of, the Information contained hereunder. The use of the Information is at user's own risk and Tenaris does not assume any responsibility or liability of any kind for any loss, damage or injury resulting from, or in connection with any Information contained hereunder or any use thereof. The Information in this document is subject to change or modification without notice. Tenaris's products and services are subject to Tenaris's standard terms and conditions or otherwise to the terms resulting from the respective contracts of sale or services, as the case may be, between petitioner and Tenaris. For more complete information please contact a Tenaris's representative or visit our website at www.tenaris.com. ©Tenaris 2021. All rights reserved.



5.500" 20.00 lb/ft P110-CY TenarisHydril Wedge 461™ Matched Strength



Special Data Sheet

TH DS-20.0359
12 August 2020
Rev 00

Nominal OD	5.500 in.	Wall Thickness	0.361 in.	Grade	P110-CY
Min Wall Thickness	87.5%	Type	CASING	Connection OD Option	MATCHED STRENGTH

Pipe Body Data

Geometry			Performance		
Nominal OD	5.500 in.	Nominal ID	4.778 in.	Body Yield Strength	641 x 1000 lbs
Nominal Weight	20.00 lbs/ft	Wall Thickness	0.361 in.	Internal Yield	12640 psi
Standard Drift Diameter	4.653 in.	Plain End Weight	19.83 lbs/ft	SMYS	110000 psi
Special Drift Diameter	N/A	OD Tolerance	API	Collapse Pressure	11110 psi

Connection Data

Geometry		Performance		Make-up Torques	
Matched Strength OD	6.050 in.	Tension Efficiency	100%	Minimum	17000 ft-lbs
Make-up Loss	3.775 in.	Joint Yield Strength	641 x 1000 lbs	Optimum	18000 ft-lbs
Threads per in.	3.40	Internal Yield	12640 psi	Maximum	21600 ft-lbs
Connection OD Option	MATCHED STRENGTH	Compression Efficiency	100%	Operational Limit Torques	
Coupling Length	7.714 in.	Compression Strength	641 x 1000 lbs	Operating Torque	32000 ft-lbs
		Bending	92 °/100 ft	Yield Torque	38000 ft-lbs
		Collapse	11110 psi	Buck-On Torques	
				Minimum	21600 ft-lbs
				Maximum	23100 ft-lbs

Notes

*If you need to use torque values that are higher than the maximum indicated, please contact a local Tenaris technical sales representative



TenarisHydril Wedge 461®



Coupling	Pipe Body
Grade: P110-CY	Grade: P110-CY
Body: White	1st Band: White
1st Band: Grey	2nd Band: Grey
2nd Band: -	3rd Band: -
3rd Band: -	4th Band: -
	5th Band: -
	6th Band: -

Outside Diameter	7.000 in.	Wall Thickness	0.453 in.	Grade	P110-CY
Min. Wall Thickness	87.50 %	Pipe Body Drift	API Standard	Type	Casing
Connection OD Option	REGULAR				

Pipe Body Data

Geometry		Performance	
Nominal OD	7.000 in.	Wall Thickness	0.453 in.
Nominal Weight	32 lb/ft	Plain End Weight	31.70 lb/ft
Drift	5.969 in.	OD Tolerance	API
Nominal ID	6.094 in.		
		Body Yield Strength	1025 x1000 lb
		Min. Internal Yield Pressure	12,460 psi
		SMYS	110,000 psi
		Collapse Pressure	10,780 psi

Connection Data

Geometry		Performance		Make-Up Torques	
Connection OD	7.750 in.	Tension Efficiency	100 %	Minimum	20,000 ft-lb
Coupling Length	8.914 in.	Joint Yield Strength	1025 x1000 lb	Optimum	21,000 ft-lb
Connection ID	6.094 in.	Internal Pressure Capacity	12,460 psi	Maximum	25,200 ft-lb
Make-up Loss	4.375 in.	Compression Efficiency	100 %		
Threads per inch	3.40	Compression Strength	1025 x1000 lb	Operation Limit Torques	
Connection OD Option	Regular	Max. Allowable Bending	72 °/100 ft	Operating Torque	61,000 ft-lb
		External Pressure Capacity	10,780 psi	Yield Torque	72,000 ft-lb
		Coupling Face Load	269,000 lb	Buck-On	
				Minimum	25,200 ft-lb
				Maximum	26,700 ft-lb

Notes

This connection is fully interchangeable with:
 Wedge 461® - 7 in. - 0.317 / 0.362 / 0.408 in.
 Connections with Dopeless® Technology are fully compatible with the same connection in its Standard version
 In October 2019, TenarisHydril Wedge XP® 2.0 was renamed TenarisHydril Wedge 461™. Product dimensions and properties remain identical and both connections are fully interchangeable

For the latest performance data, always visit our website: www.tenaris.com

Tenaris has issued this document for general information only, and the information in this document, including, without limitation, any pictures, drawings or designs ("Information") is not intended to constitute professional or any other type of advice or recommendation and is provided on an "as is" basis. No warranty is given. Tenaris has not independently verified any information—if any—provided by the user in connection with, or for the purpose of, the Information contained hereunder. The use of the Information is at user's own risk and Tenaris does not assume any responsibility or liability of any kind for any loss, damage or injury resulting from, or in connection with any Information contained hereunder or any use thereof. The Information in this document is subject to change or modification without notice. Tenaris's products and services are subject to Tenaris's standard terms and conditions or otherwise to the terms resulting from the respective contracts of sale or services, as the case may be, between petitioner and Tenaris. For more complete information please contact a Tenaris's representative or visit our website at www.tenaris.com. ©Tenaris 2021. All rights reserved.

OXY's Minimum Design Criteria

Burst, Collapse, and Tensile SF are calculated using Landmark's Stress Check (Casing Design) software. A sundry will be requested if any lesser grade or different size casing is substituted.

1) Casing Design Assumptions

a) Burst Loads

CSG Test (Surface)

- Internal: Displacement fluid + pressure required to comply with regulatory casing test pressures. This will comply with both Onshore Oil and Gas Order No. 2 and 19.15.16 of the OCD Rules.
- External: Pore pressure in open hole.

CSG Test (Intermediate)

- Internal: Displacement fluid + pressure required to comply with regulatory casing test pressures. This will comply with both Onshore Oil and Gas Order No. 2 and 19.15.16 of the OCD Rules.
- External: Mud Weight to TOC, cement mix water gradient (8.4 ppg) below TOC, and pore pressure in open hole.

CSG Test (Production)

- Internal:
 - For Drilling: Displacement fluid + pressure required to comply with regulatory casing test pressures. This will comply with both Onshore Oil and Gas Order No. 2 and 19.15.16 of the OCD Rules.
 - For Production: The design pressure test should be the greater of (1) the planned test pressure prior to stimulation down the casing. (2) the regulatory test pressure, and (3) the expected gas lift system pressure. The design test fluid should be the fluid associated with pressure test having the greatest pressure.
- External:
 - For Drilling: Mud Weight to TOC, cement mix water gradient (8.4 ppg) below TOC, and pore pressure in open hole.
 - For Production: Mud base-fluid density to TOC, cement mix water gradient (8.4 ppg) below TOC, and pore pressure in open hole.

Gas Column (Surface)

- Internal: Assumes a full column of gas in the casing with a Gas/Oil Gradient of 0.1 psi/ft in the absence of better information. It is limited to the controlling pressure based on the fracture pressure at the shoe or the maximum expected pore pressure within the next drilling interval, whichever results in a lower surface pressure.
- External: Fluid gradient below TOC, pore pressure from the TOC to the Intermediate CSG shoe (if applicable), and MW of the drilling mud that was in the hole when the CSG was run from Intermediate CSG shoe to surface.

Bullheading (Surface / Intermediate)

- Internal: The string must be designed to withstand a pressure profile based on the fracture pressure at the casing shoe with a column of water above the shoe plus an additional surface pressure (in psi) of $0.02 \times MD$ of the shoe to account for pumping friction pressure.
- External: Mud weight to TOC, cement mix water gradient (8.4 ppg) below TOC, and pore pressure in open hole.

Gas Kick (Intermediate)

- The string must be designed to at least a gas kick load case unless the rig is unable to detect a kick. For the gas kick load case, the internal pressure profile must be based on a minimum volume of 50 bbl or the minimum kick detection capability of the rig, whichever is greater, and a kick intensity of 2.0 ppg for Class 1, 1.0 ppg of Class 2, and 0.5 ppg for Class 3 and 4 wells.
- Internal: Influx depth of the maximum pore pressure of 0.55 “gas kick gravity” of gas to surface while drilling the next hole section.
- External: Mud weight to the TOC, cement mix water gradient below TOC, and pore pressure in open hole.

Tubing Leak Near Surface While Producing (Production)

- Internal: SITP plus a packer fluid gradient to the shoe or top of packer.
- External: Mud base-fluid density to TOC, cement mix water gradient (8.4 ppg) below TOC, and pore pressure in open hole.

Tubing Leak Near Surface While Stimulating (Production)

- Internal: Surface pressure or pressure-relief system pressure, whichever is lower plus packer fluid gradient.
- External: Mud base-fluid density to TOC, cement mix water gradient (8.4 ppg) below TOC, and pore pressure in open hole.

Injection / Stimulation Down Casing (Production)

- Internal: Surface pressure plus injection fluid gradient.
- External: Mud base-fluid density to TOC, cement mix water gradient (8.4 ppg) below TOC, and pore pressure in open hole.

b) Collapse Loads

Lost Circulation (Surface / Intermediate)

- Internal: Lost circulation at the TD of the next hole section, and the fluid level falls to a depth where the hydrostatic of the mud equals pore pressure at the depth of the lost circulation zone.
- External: MW of the drilling mud that was in the hole when the casing was run.

Cementing (Surface / Intermediate / Production)

- Internal: Displacement fluid density.
- External: Mud weight from TOC to surface and cement slurry weight from TOC to casing shoe.

Full Evacuation (Production)

- Internal: Full void pipe.
- External: MW of drilling mud in the hole when the casing was run.

c) Tension Loads

Running Casing (Surface / Intermediate / Production)

- Axial: Buoyant weight of the string plus the lesser of 100,000 lb or the string weight in air.

Green Cement (Surface / Intermediate / Production)

- Axial: Buoyant weight of the string plus cement plug bump pressure load.

District I
 1625 N. French Dr., Hobbs, NM 88240
 Phone:(575) 393-6161 Fax:(575) 393-0720
District II
 811 S. First St., Artesia, NM 88210
 Phone:(575) 748-1283 Fax:(575) 748-9720
District III
 1000 Rio Brazos Rd., Aztec, NM 87410
 Phone:(505) 334-6178 Fax:(505) 334-6170
District IV
 1220 S. St Francis Dr., Santa Fe, NM 87505
 Phone:(505) 476-3470 Fax:(505) 476-3462

State of New Mexico
Energy, Minerals and Natural Resources
Oil Conservation Division
1220 S. St Francis Dr.
Santa Fe, NM 87505

CONDITIONS

Action 252721

CONDITIONS

Operator: OXY USA INC P.O. Box 4294 Houston, TX 772104294	OGRID:	16696
	Action Number:	252721
	Action Type:	[C-101] BLM - Federal/Indian Land Lease (Form 3160-3)

CONDITIONS

Created By	Condition	Condition Date
ward.rikala	Notify OCD 24 hours prior to casing & cement	8/21/2023
ward.rikala	Will require a File As Drilled C-102 and a Directional Survey with the C-104	8/21/2023
ward.rikala	Once the well is spud, to prevent ground water contamination through whole or partial conduits from the surface, the operator shall drill without interruption through the fresh water zone or zones and shall immediately set in cement the water protection string	8/21/2023
ward.rikala	Cement is required to circulate on both surface and intermediate1 strings of casing	8/21/2023
ward.rikala	Oil base muds are not to be used until fresh water zones are cased and cemented providing isolation from the oil or diesel. This includes synthetic oils. Oil based mud, drilling fluids and solids must be contained in a steel closed loop system	8/21/2023
ward.rikala	If a bradenhead squeeze is used during the intermediate cementing, then NM OCD will require a CBL to verify the integrity of the cement behind the intermediate casing.	8/21/2023