

Form 3160-3
(June 2015)

FORM APPROVED
OMB No. 1004-0137
Expires: January 31, 2018

UNITED STATES
DEPARTMENT OF THE INTERIOR
BUREAU OF LAND MANAGEMENT
APPLICATION FOR PERMIT TO DRILL OR REENTER

1a. Type of work: <input checked="" type="checkbox"/> DRILL <input type="checkbox"/> REENTER 1b. Type of Well: <input checked="" type="checkbox"/> Oil Well <input type="checkbox"/> Gas Well <input type="checkbox"/> Other 1c. Type of Completion: <input type="checkbox"/> Hydraulic Fracturing <input type="checkbox"/> Single Zone <input checked="" type="checkbox"/> Multiple Zone		5. Lease Serial No. NMNM110838
2. Name of Operator EOG RESOURCES INCORPORATED [7377]		6. If Indian, Allottee or Tribe Name 7. If Unit or CA Agreement, Name and No. 8. Lease Name and Well No. ICY 18 FED 206H [326336]
3a. Address 1111 BAGBY SKY LOBBY 2, HOUSTON, TX 77002	3b. Phone No. (include area code) (713) 651-7000	9. API Well No. 30-025-51871
4. Location of Well (Report location clearly and in accordance with any State requirements. *) At surface TR C / 261 FNL / 1359 FWL / LAT 32.1371431 / LONG -103.6154985 At proposed prod. zone TR F / 2540 FNL / 2030 FWL / LAT 32.1163637 / LONG -103.6133533		10. Field and Pool, or Exploratory WC-025 G-06 S253201M/UPPER BONE 11. Sec., T. R. M. or Blk. and Survey or Area SEC 18/T25S/R33E/NMP
14. Distance in miles and direction from nearest town or post office*		12. County or Parish LEA
13. State NM		
15. Distance from proposed* location to nearest property or lease line, ft. (Also to nearest drig. unit line, if any) 100 feet	16. No of acres in lease	17. Spacing Unit dedicated to this well 480.0
18. Distance from proposed location* to nearest well, drilling, completed, applied for, on this lease, ft. 15 feet	19. Proposed Depth 10277 feet / 17883 feet	20. BLM/BIA Bond No. in file FED:
21. Elevations (Show whether DF, KDB, RT, GL, etc.) 3487 feet	22. Approximate date work will start* 07/24/2023	23. Estimated duration 25 days
24. Attachments		

The following, completed in accordance with the requirements of Onshore Oil and Gas Order No. 1, and the Hydraulic Fracturing rule per 43 CFR 3162.3-3 (as applicable)

- | | |
|---|---|
| 1. Well plat certified by a registered surveyor.
2. A Drilling Plan.
3. A Surface Use Plan (if the location is on National Forest System Lands, the SUPO must be filed with the appropriate Forest Service Office). | 4. Bond to cover the operations unless covered by an existing bond on file (see Item 20 above).
5. Operator certification.
6. Such other site specific information and/or plans as may be requested by the BLM. |
|---|---|

25. Signature (Electronic Submission)	Name (Printed/Typed) CRAIG RICHARDSON / Ph: (713) 651-7000	Date 01/27/2023
Title Regulatory Specialist		
Approved by (Signature) (Electronic Submission)	Name (Printed/Typed) CODY LAYTON / Ph: (575) 234-5959	Date 08/15/2023
Title Assistant Field Manager Lands & Minerals Office Carlsbad Field Office		

Application approval does not warrant or certify that the applicant holds legal or equitable title to those rights in the subject lease which would entitle the applicant to conduct operations thereon.
Conditions of approval, if any, are attached.

Title 18 U.S.C. Section 1001 and Title 43 U.S.C. Section 1212, make it a crime for any person knowingly and willfully to make to any department or agency of the United States any false, fictitious or fraudulent statements or representations as to any matter within its jurisdiction.



KZ
08/22/2023

(Continued on page 2)

*(Instructions on page 2)

District I
1625 N. French Dr., Hobbs, NM 88240
Phone: (575) 393-6161 Fax: (575) 393-0720
District II
811 S. First St., Artesia, NM 88210
Phone: (575) 748-1283 Fax: (575) 748-9720
District III
1000 Rio Brazos Road, Aztec, NM 87410
Phone: (505) 334-6178 Fax: (505) 334-6170
District IV
1220 S. St. Francis Dr., Santa Fe, NM 87505
Phone: (505) 476-3460 Fax: (505) 476-3462

State of New Mexico
Energy, Minerals & Natural Resources
Department
OIL CONSERVATION DIVISION
1220 South St. Francis Dr.
Santa Fe, NM 87505

FORM C-102

Revised August 1, 2011

Submit one copy to appropriate

District Office

AMENDED REPORT

WELL LOCATION AND ACREAGE DEDICATION PLAT

¹ API Number 30-025-30-025-51871		² Pool Code 97994		³ Pool Name WC-025 G-06 S253329D; UPPER BONE SPRING	
⁴ Property Code 326336		⁵ Property Name ICY 18 FED			⁶ Well Number 206H
⁷ OGRID No. 7377		⁸ Operator Name EOG RESOURCES, INC.			⁹ Elevation 3487'

¹⁰Surface Location

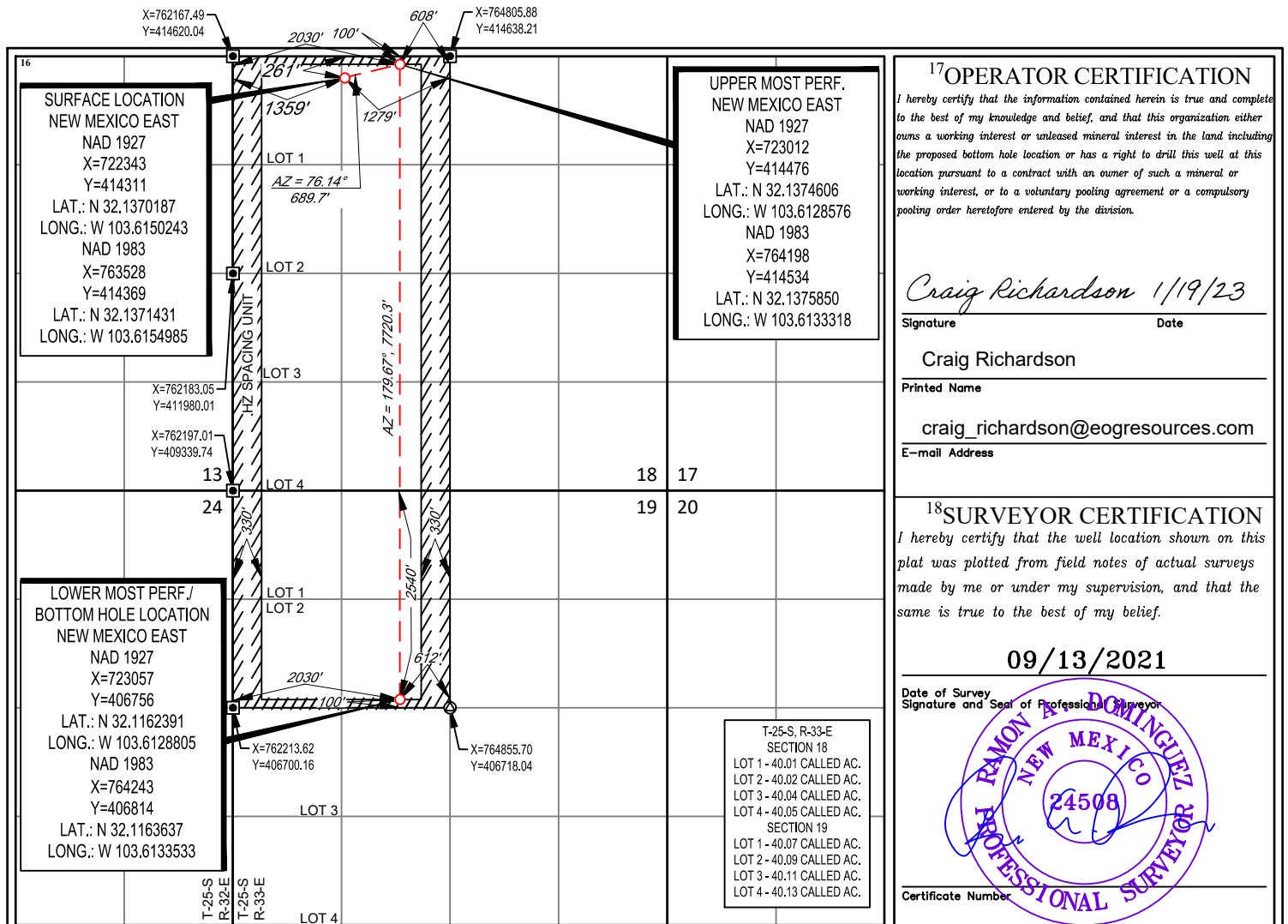
UL or lot no.	Section	Township	Range	Lot Idn	Feet from the	North/South line	Feet from the	East/West line	County
C	18	25-S	33-E	-	261'	NORTH	1359'	WEST	LEA

¹¹Bottom Hole Location If Different From Surface

UL or lot no.	Section	Township	Range	Lot Idn	Feet from the	North/South line	Feet from the	East/West line	County
F	19	25-S	33-E	-	2540'	NORTH	2030'	WEST	LEA

¹² Dedicated Acres 480.28	¹³ Joint or Infill	¹⁴ Consolidation Code	¹⁵ Order No.
--	-------------------------------	----------------------------------	-------------------------

No allowable will be assigned to this completion until all interests have been consolidated or a non-standard unit has been approved by the division.



State of New Mexico
 Energy, Minerals and Natural Resources Department

Submit Electronically
 Via E-permitting

Oil Conservation Division
 1220 South St. Francis Dr.
 Santa Fe, NM 87505

NATURAL GAS MANAGEMENT PLAN

This Natural Gas Management Plan must be submitted with each Application for Permit to Drill (APD) for a new or recompleted well.

Section 1 – Plan Description Effective May 25, 2021

I. Operator: EOG Resources, Inc. **OGRID:** 7377 **Date:** 8/16/2023

II. Type: Original Amendment due to 19.15.27.9.D(6)(a) NMAC 19.15.27.9.D(6)(b) NMAC Other.

If Other, please describe: _____

III. Well(s): Provide the following information for each new or recompleted well or set of wells proposed to be drilled or proposed to be recompleted from a single well pad or connected to a central delivery point.

Well Name	API	ULSTR	Footages	Anticipated Oil BBL/D	Anticipated Gas MCF/D	Anticipated Produced Water BBL/D
Icy 18 Fed 206H		C-18-25S-33E	261' FNL & 1359' FWL	+/- 1000	+/- 3500	+/- 3000

IV. Central Delivery Point Name: Icy 18 Fed CTB [See 19.15.27.9(D)(1) NMAC]

V. Anticipated Schedule: Provide the following information for each new or recompleted well or set of wells proposed to be drilled or proposed to be recompleted from a single well pad or connected to a central delivery point.

Well Name	API	Spud Date	TD Reached Date	Completion Commencement Date	Initial Flow Back Date	First Production Date
Icy 18 Fed 206H		08/21/23	09/04/23	10/04/23	11/04/23	11/18/23

VI. Separation Equipment: Attach a complete description of how Operator will size separation equipment to optimize gas capture.

VII. Operational Practices: Attach a complete description of the actions Operator will take to comply with the requirements of Subsection A through F of 19.15.27.8 NMAC.

VIII. Best Management Practices: Attach a complete description of Operator's best management practices to minimize venting during active and planned maintenance.

Section 2 – Enhanced Plan

EFFECTIVE APRIL 1, 2022

Beginning April 1, 2022, an operator that is not in compliance with its statewide natural gas capture requirement for the applicable reporting area must complete this section.

Operator certifies that it is not required to complete this section because Operator is in compliance with its statewide natural gas capture requirement for the applicable reporting area.

IX. Anticipated Natural Gas Production:

Well	API	Anticipated Average Natural Gas Rate MCF/D	Anticipated Volume of Natural Gas for the First Year MCF

X. Natural Gas Gathering System (NGGS):

Operator	System	ULSTR of Tie-in	Anticipated Gathering Start Date	Available Maximum Daily Capacity of System Segment Tie-in

XI. Map. Attach an accurate and legible map depicting the location of the well(s), the anticipated pipeline route(s) connecting the production operations to the existing or planned interconnect of the natural gas gathering system(s), and the maximum daily capacity of the segment or portion of the natural gas gathering system(s) to which the well(s) will be connected.

XII. Line Capacity. The natural gas gathering system will will not have capacity to gather 100% of the anticipated natural gas production volume from the well prior to the date of first production.

XIII. Line Pressure. Operator does does not anticipate that its existing well(s) connected to the same segment, or portion, of the natural gas gathering system(s) described above will continue to meet anticipated increases in line pressure caused by the new well(s).

Attach Operator’s plan to manage production in response to the increased line pressure.

XIV. Confidentiality: Operator asserts confidentiality pursuant to Section 71-2-8 NMSA 1978 for the information provided in Section 2 as provided in Paragraph (2) of Subsection D of 19.15.27.9 NMAC, and attaches a full description of the specific information for which confidentiality is asserted and the basis for such assertion.

Section 3 - Certifications

Effective May 25, 2021

Operator certifies that, after reasonable inquiry and based on the available information at the time of submittal:

Operator will be able to connect the well(s) to a natural gas gathering system in the general area with sufficient capacity to transport one hundred percent of the anticipated volume of natural gas produced from the well(s) commencing on the date of first production, taking into account the current and anticipated volumes of produced natural gas from other wells connected to the pipeline gathering system; or

Operator will not be able to connect to a natural gas gathering system in the general area with sufficient capacity to transport one hundred percent of the anticipated volume of natural gas produced from the well(s) commencing on the date of first production, taking into account the current and anticipated volumes of produced natural gas from other wells connected to the pipeline gathering system.

If Operator checks this box, Operator will select one of the following:

Well Shut-In. Operator will shut-in and not produce the well until it submits the certification required by Paragraph (4) of Subsection D of 19.15.27.9 NMAC; or

Venting and Flaring Plan. Operator has attached a venting and flaring plan that evaluates and selects one or more of the potential alternative beneficial uses for the natural gas until a natural gas gathering system is available, including:

- (a) power generation on lease;
- (b) power generation for grid;
- (c) compression on lease;
- (d) liquids removal on lease;
- (e) reinjection for underground storage;
- (f) reinjection for temporary storage;
- (g) reinjection for enhanced oil recovery;
- (h) fuel cell production; and
- (i) other alternative beneficial uses approved by the division.

Section 4 - Notices

1. If, at any time after Operator submits this Natural Gas Management Plan and before the well is spud:

(a) Operator becomes aware that the natural gas gathering system it planned to connect the well(s) to has become unavailable or will not have capacity to transport one hundred percent of the production from the well(s), no later than 20 days after becoming aware of such information, Operator shall submit for OCD's approval a new or revised venting and flaring plan containing the information specified in Paragraph (5) of Subsection D of 19.15.27.9 NMAC; or

(b) Operator becomes aware that it has, cumulatively for the year, become out of compliance with its baseline natural gas capture rate or natural gas capture requirement, no later than 20 days after becoming aware of such information, Operator shall submit for OCD's approval a new or revised Natural Gas Management Plan for each well it plans to spud during the next 90 days containing the information specified in Paragraph (2) of Subsection D of 19.15.27.9 NMAC, and shall file an update for each Natural Gas Management Plan until Operator is back in compliance with its baseline natural gas capture rate or natural gas capture requirement.

2. OCD may deny or conditionally approve an APD if Operator does not make a certification, fails to submit an adequate venting and flaring plan which includes alternative beneficial uses for the anticipated volume of natural gas produced, or if OCD determines that Operator will not have adequate natural gas takeaway capacity at the time a well will be spud.

I certify that, after reasonable inquiry, the statements in and attached to this Natural Gas Management Plan are true and correct to the best of my knowledge and acknowledge that a false statement may be subject to civil and criminal penalties under the Oil and Gas Act.

Signature: <i>Shea Keithley</i>
Printed Name: Shea Keithley
Title: Regulatory Contractor
E-mail Address: Shea_Keithley@eogresources.com
Date: 8/16/2023
Phone: (432) 214-9797
OIL CONSERVATION DIVISION (Only applicable when submitted as a standalone form)
Approved By:
Title:
Approval Date:
Conditions of Approval:

Natural Gas Management Plan**Items VI-VIII****VI. Separation Equipment: Attach a complete description of how Operator will size separation equipment to optimize gas capture.**

- Separation equipment will be sized to provide adequate separation for anticipated rates.
- Adequate separation relates to retention time for Liquid – Liquid separation and velocity for Gas-Liquid separation.
- Collection systems are appropriately sized to handle facility production rates on all (3) phases.
- Ancillary equipment and metering is selected to be serviced without flow interruptions or the need to release gas from the well.

VII. Operational Practices: Attach a complete description of the actions Operator will take to comply with the requirements of Subsection A through F 19.15.27.8 NMAC.**Drilling Operations**

- All flare stacks will be properly sized. The flare stacks will be located at a minimum 100' from the nearest surface hole location on the pad.
- All natural gas produced during drilling operations will be flared, unless there is an equipment malfunction and/or to avoid risk of an immediate and substantial adverse impact on safety and the environment, at which point the gas will be vented.

Completions/Recompletions Operations

- New wells will not be flowed back until they are connected to a properly sized gathering system.
- The facility will be built/sized for maximum anticipated flowrates and pressures to minimize waste.
- For flowback operations, multiple stages of separation will be used as well as excess VRU and blowers to make sure waste is minimized off the storage tanks and facility.
- During initial flowback, the well stream will be routed to separation equipment.
- At an existing facility, when necessary, post separation natural gas will be flared until it meets pipeline specifications, at which point it will be turned into a collection system.
- At a new facility, post separation natural gas will be vented until storage tanks can safely function, at which point it will be flared until it meets pipeline spec.

Production Operations

- Weekly AVOs will be performed on all facilities.
- All flares will be equipped with auto-ignition systems and continuous pilot operations.
- After a well is stabilized from liquid unloading, the well will be turned back into the collection system.
- All plunger lift systems will be optimized to limit the amount of waste.
- All tanks will have automatic gauging equipment installed.
- Leaking thief hatches found during AVOs will be cleaned and properly re-sealed.

Performance Standards

- Production equipment will be designed to handle maximum anticipated rates and pressure.
- All flared gas will be combusted in a flare stack that is properly sized and designed to ensure proper combustion.
- Weekly AVOs will be performed on all wells and facilities that produce more than 60 Mcfd.

Measurement & Estimation

- All volume that is flared and vented that is not measured will be estimated.
- All measurement equipment for flared volumes will conform to API 14.10.
- No meter bypasses will be installed.

- When metering is not practical due to low pressure/low rate, the vented or flared volume will be estimated.

VIII. Best Management Practices: Attach a complete description of Operator's best management practices to minimize venting during active and planned maintenance.

- During downhole well maintenance, EOG will use best management practices to vent as minimally as possible.
- Prior to the commencement of any maintenance, the tank or vessel will be isolated from the rest of the facilities.
- All valves upstream of the equipment will be closed and isolated.
- After equipment has been isolated, the equipment will be blown down to as low a pressure as possible into the collection system.
- If the equipment being maintained cannot be relieved into the collection system, it shall be released to a tank where the vapor can either be captured or combusted if possible.
- After downhole well maintenance, natural gas will be flared until it reaches pipeline specification.



Icy 18 Fed 206H

1. GEOLOGIC NAME OF SURFACE FORMATION:

Permian

2. ESTIMATED TOPS OF IMPORTANT GEOLOGICAL MARKERS:

Rustler	1,525'
Tamarisk Anhydrite	1,628'
Top of Salt	1,750'
Base of Salt	5,215'
Lamar	5,451'
Bell Canyon	5,478'
Cherry Canyon	6,381'
Brushy Canyon	8,033'
Bone Spring Lime	9,580'
Leonard (Avalon) Shale	9,662'
1st Bone Spring Sand	10,582'
2nd Bone Spring Shale	10,773'
2nd Bone Spring Sand	11,172'
3rd Bone Spring Carb	12,024'
3rd Bone Spring Sand	12,292'
Wolfcamp	12,755'
TD	10,277'

3. ESTIMATED DEPTHS OF ANTICIPATED FRESH WATER, OIL OR GAS:

Upper Permian Sands	0- 400'	Fresh Water
Bell Canyon	5,478'	Oil
Cherry Canyon	6,381'	Oil
Brushy Canyon	8,033'	Oil
Leonard (Avalon) Shale	9,662'	Oil
1st Bone Spring Sand	10,582'	Oil
2nd Bone Spring Shale	10,773'	Oil
2nd Bone Spring Sand	11,172'	Oil

No other Formations are expected to give up oil, gas or fresh water in measurable quantities. Surface fresh water sands will be protected by setting 13-3/8" casing at 1,650' and circulating cement back to surface.



Icy 18 Fed 206H

4. CASING PROGRAM

Hole Size	Interval MD		Interval TVD		Csg OD	Weight	Grade	Conn
	From (ft)	To (ft)	From (ft)	To (ft)				
16"	0	1,650	0	1,650	13-3/8"	54.5#	J-55	STC
11"	0	4,041	0	4,000	9-5/8"	40#	J-55	LTC
11"	4,041	5,361	4,000	5,320	9-5/8"	40#	HCK-55	LTC
6-3/4"	0	17,882	0	10,277	5-1/2"	17#	HCP-110	LTC

Variance is requested to waive the centralizer requirements for the 9-5/8" casing in the 11" hole size. An expansion additive will be utilized, in the cement slurry, for the entire length of the 11" hole interval to maximize cement bond and zonal isolation.

Variance is also requested to waive any centralizer requirements for the 5-1/2" casing in the 6-3/4" hole size. An expansion additive will be utilized, in the cement slurry, for the entire length of the 6-3/4" hole interval to maximize cement bond and zonal isolation.

EOG requests permission to allow deviation from the 0.422" annulus clearance requirement for the intermediate (salt) section from Onshore Order #2 under the following conditions:

- The variance is not applicable within the Potash Boundaries or Capitan Reef areas.
- Operator takes responsibility to get casing to set point in the event that the clearance causes stuck pipe issues.

Cementing Program:

Depth	No. Sacks	Wt. ppg	Yld Ft3/sk	Slurry Description
1,650' 13-3/8"	500	13.5	1.73	Lead: Class C + 4.0% Bentonite Gel + 0.5% CaCl ₂ + 0.25 lb/sk Cello-Flake (TOC @ Surface)
	100	14.8	1.34	Tail: Class C + 0.6% FL-62 + 0.25 lb/sk Cello-Flake + 0.2% Sodium Metasilicate (TOC @ 1450')
5,320' 9-5/8"	540	12.7	2.22	Lead: Class C + 10% NaCl + 6% Bentonite Gel + 3% MagOx (TOC @ Surface)
	180	14.8	1.32	Tail: Class C + 10% NaCl + 3% MagOx (TOC @ 4256')
17,882' 5-1/2"	330	10.5	3.21	Lead: Class H + 0.4% Halad-344 + 0.35% HR-601 + 3% Microbond (TOC @ 4820')
	570	13.2	1.52	Tail: Class H + 5% NEX-020 + 0.2% NAC-102 + 0.15% NAS-725 + 0.5% NFL-549 + 0.2% NFP-703 + 1% NBE-737 + 0.3% NRT-241 (TOC @ 9840')



Icy 18 Fed 206H

Additive	Purpose
Bentonite Gel	Lightweight/Lost circulation prevention
Calcium Chloride	Accelerator
Cello-flake	Lost circulation prevention
Sodium Metasilicate	Accelerator
MagOx	Expansive agent
Pre-Mag-M	Expansive agent
Sodium Chloride	Accelerator
FL-62	Fluid loss control
Halad-344	Fluid loss control
Halad-9	Fluid loss control
HR-601	Retarder
Microbond	Expansive Agent

Cement integrity tests will be performed immediately following plug bump.

Note: Cement volumes based on bit size plus at least 25% excess in the open hole plus 10% excess in the cased-hole overlap section.

5. MINIMUM SPECIFICATIONS FOR PRESSURE CONTROL:

Variance is requested to use a co-flex line between the BOP and choke manifold (instead of using a 4" OD steel line).

The minimum blowout preventer equipment (BOPE) shown in Exhibit #1 will consist of a single ram, mud cross and double ram-type (10,000 psi WP) preventer and an annular preventer (5,000-psi WP). Both units will be hydraulically operated and the ram-type will be equipped with blind rams on bottom and drill pipe rams on top. All BOPE will be tested in accordance with Onshore Oil & Gas order No. 2.

EOG will utilize wing unions on BOPE connections that can be isolated from wellbore pressure through means of a choke. All wing unions will be rated to a pressure that meets or exceeds the pressure rating of the BOPE system.

Variance is requested to use a 5,000 psi annular BOP with the 10,000 psi BOP stack.

Before drilling out of the surface casing, the ram-type BOP and accessory equipment will be tested to 10,000/ 250 psig and the annular preventer to 5,000/ 250 psig.

Pipe rams and blind rams will be operationally checked on each trip out of the hole. These checks will be noted on the daily tour sheets.

A hydraulically operated choke will be installed prior to drilling out of the intermediate casing shoe.



Icy 18 Fed 206H

6. TYPES AND CHARACTERISTICS OF THE PROPOSED MUD SYSTEM:

During this procedure we plan to use a Closed-Loop System and haul contents to the required disposal.

The applicable depths and properties of the drilling fluid systems are as follows:

Depth	Type	Weight (ppg)	Viscosity	Water Loss
0 – 1,650'	Fresh - Gel	8.6-8.8	28-34	N/c
1,650' – 5,320'	Brine	8.6-8.8	28-34	N/c
5,120' – 17,882' Lateral	Oil Base	8.8-9.5	58-68	N/c - 6

An electronic pit volume totalizer (PVT) will be utilized on the circulating system, to monitor pit volume, flow rate, pump pressure and stroke rate.

Sufficient mud materials to maintain mud properties and meet minimum lost circulation and weight increase requirements will be kept at the wellsite at all times.

7. AUXILIARY WELL CONTROL AND MONITORING EQUIPMENT:

- (A) A kelly cock will be kept in the drill string at all times.
- (B) A full opening drill pipe-stabbing valve (inside BOP) with proper drill pipe connections will be on the rig floor at all times.
- (C) H2S monitoring and detection equipment will be utilized from surface casing point to TD.

8. LOGGING, TESTING AND CORING PROGRAM:

- (A) Open-hole logs are not planned for this well.
- (B) GR-CCL will be run in cased hole during completions phase of operations.

9. ABNORMAL CONDITIONS, PRESSURES, TEMPERATURES AND POTENTIAL HAZARDS:

The estimated bottom-hole temperature (BHT) at TD is 173 degrees F with an estimated maximum bottom-hole pressure (BHP) at TD of 4,810 psig and a maximum anticipated surface pressure of 2,549 psig (based on 9.0 ppg MW). No hydrogen sulfide or other hazardous gases or fluids have been encountered, reported or are known to exist at this depth in this area. Severe loss circulation is expected from 8,033' to intermediate casing point.



Icy 18 Fed 206H

10. ANTICIPATED STARTING DATE AND DURATION OF OPERATIONS:

The drilling operation should be finished in approximately one month. If the well is productive, an additional 60-90 days will be required for completion and testing before a decision is made to install permanent facilities.

EOG Resources requests the option to contract a Surface Rig to drill, set surface casing, and Cement on the subject well. After WOC 8 hours or 500 psi compressive strength (whichever is greater), the Surface Rig will move off so the wellhead can be installed. A welder will cut the casing to the proper height and weld on the wellhead (both "A" and "B" sections). The weld will be tested to 1,500 psi. All valves will be closed and a wellhead cap will be installed (diagram attached). If the timing between rigs is such that EOG Resources would not be able to preset the surface, the Primary Rig will MIRU and drill the well in its entirety per the APD.

11. WELLHEAD & Offline Cementing:

A multi-bowl wellhead system will be utilized.

After running the 13-3/8" surface casing, a 13-3/8" BOP/BOPE system with a minimum working pressure of 10,000 psi will be installed on the wellhead system and will be pressure tested to 250 psi low followed by a 10,000 psi pressure test. This pressure test will be repeated at least every 30 days, as per Onshore Order No. 2.

The minimum working pressure of the BOP and related BOPE required for drilling below the surface casing shoe shall be 10,000 psi.

The multi-bowl wellhead will be installed by vendor's representative(s). A copy of the installation instructions for the Cactus Multi-Bowl WH system has been sent to the NM BLM office in Carlsbad, NM.

The wellhead will be installed by a third party welder while being monitored by WH vendor's representative.

All BOP equipment will be tested utilizing a conventional test plug. Not a cup or J-packer type. EOG Resources reserves the option to conduct BOPE testing during wait on cement periods provided a test plug is utilized.

A solid steel body pack-off will be utilized after running and cementing the intermediate casing. After installation the pack-off and lower flange will be pressure tested to 5000 psi.

Casing strings will be tested as per Onshore Order No. 2 to at least 0.22 psi/ft or 1,500 psi, whichever is greater.



Icy 18 Fed 206H

EOG Resources Inc. (EOG) respectfully requests a variance from the minimum standards for well control equipment testing of Onshore Order No. 2 (item III.A.2.a.i) to allow a testing schedule of the blow out preventer (BOP) and blow out prevention equipment (BOPE) along with Batch Drilling & Offline cement operations to include the following:

- Full BOPE test at first installation on the pad.
- Full BOPE test every 20 days per Onshore Order No. 2.
- Function test BOP elements per Onshore Order No. 2.
- Break testing BOP and BOPE coupled with batch drilling operations and option to offline cement and/or remediate (if needed) any surface or intermediate sections, according to attached offline cementing support documentation.
- After the well section is secured, the BOP will be disconnected from the wellhead and walked with the rig to another well on the pad.
- TA cap will also be installed per Wellhead vendor procedure and pressure inside the casing will be monitored via the valve on the TA cap as per standard batch drilling ops.
- See attached "EOG BLM Variance 3a -Offline Cement Intermediate Operational Procedure"



Icy 18 Fed 206H

261' FNL
1359' FWL
Section 18
T-25-S, R-33-E

Proposed Wellbore A

KB: 3512'
GL: 3487'

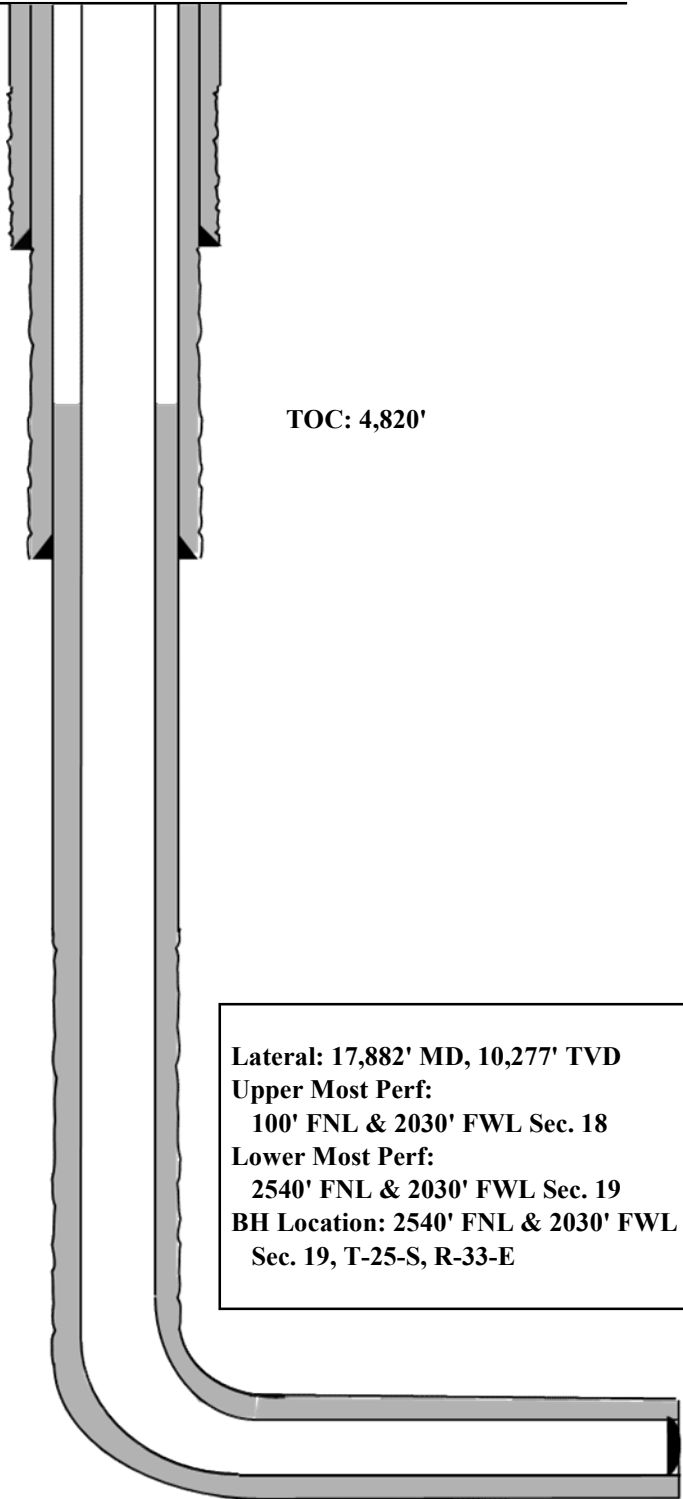
API: 30-025-*****

Bit Size: 16"
13-3/8", 54.5#, J-55, STC
@ 0' - 1,650'

Bit Size: 11"
9-5/8", 40.#, J-55, LTC
@ 0' - 4,000'
9-5/8", 40.#, HCK-55, LTC
@ 4,000' - 5,320'

Bit Size: 6-3/4"
5-1/2", 17.#, HCP-110, LTC
@ 0' - 17,882'

KOP: 9,840' MD, 9,800' TVD
EOC: 10,590' MD, 10,277' TVD



TOC: 4,820'

Lateral: 17,882' MD, 10,277' TVD
Upper Most Perf:
100' FNL & 2030' FWL Sec. 18
Lower Most Perf:
2540' FNL & 2030' FWL Sec. 19
BH Location: 2540' FNL & 2030' FWL
Sec. 19, T-25-S, R-33-E

Bit Size: 6-3/4"



Icy 18 Fed 206H

Well Name: Icy 18 Fed 206H

Location: SHL: 261' FNL & 1359' FWL, Section 18, T-25-S, R-33-E, Lea Co., N.M.

BHL: 2540' FNL & 2030' FWL, Section 19, T-25-S, R-33-E, Lea Co., N.M.

Casing Program B:

Hole Size	Interval MD		Interval TVD		Csg OD	Weight	Grade	Conn
	From (ft)	To (ft)	From (ft)	To (ft)				
13-1/2"	0	1,650	0	1,650	10-3/4"	40.5#	J-55	STC
9-7/8"	0	4,041	0	4,000	8-5/8"	32#	J-55	BTC-SC
9-7/8"	4,041	5,361	4,000	5,320	8-5/8"	32#	P110-EC	BTC-SC
6-3/4"	0	17,882	0	10,277	5-1/2"	17#	HCP-110	LTC

Cementing Program:

Depth	No. Sacks	Wt. ppg	Yld Ft3/sk	Slurry Description
1,650' 10-3/4"	510	13.5	1.73	Lead: Class C + 4.0% Bentonite Gel + 0.5% CaCl ₂ + 0.25 lb/sk Cello-Flake (TOC @ Surface)
	110	14.8	1.34	Tail: Class C + 0.6% FL-62 + 0.25 lb/sk Cello-Flake + 0.2% Sodium Metasilicate (TOC @ 1,450')
5,320' 8-5/8"	360	12.7	2.22	Lead: Class C + 10% NaCl + 6% Bentonite Gel + 3% MagOx (TOC @ Surface)
	170	14.8	1.32	Tail: Class C + 10% NaCl + 3% MagOx (TOC @ 4,260')
17,882' 5-1/2"	520	10.5	3.21	Lead: Class H + 0.4% Halad-344 + 0.35% HR-601 + 3% Microbond (TOC @ 4,820')
	590	13.2	1.52	Tail: Class H + 5% NEX-020 + 0.2% NAC-102 + 0.15% NAS-725 + 0.5% NFL-549 + 0.2% NFP-703 + 1% NBE-737 + 0.3% NRT-241 (TOC @ 9840')



Icy 18 Fed 206H

Additive	Purpose
Bentonite Gel	Lightweight/Lost circulation prevention
Calcium Chloride	Accelerator
Cello-flake	Lost circulation prevention
Sodium Metasilicate	Accelerator
MagOx	Expansive agent
Pre-Mag-M	Expansive agent
Sodium Chloride	Accelerator
FL-62	Fluid loss control
Halad-344	Fluid loss control
Halad-9	Fluid loss control
HR-601	Retarder
Microbond	Expansive Agent

Wellhead & Offline Cementing:

EOG Resources Inc. (EOG) respectfully requests a variance from the minimum standards for well control equipment testing of Onshore Order No. 2 (item III.A.2.a.i) to allow a testing schedule of the blow out preventer (BOP) and blow out prevention equipment (BOPE) along with Batch Drilling & Offline cement operations to include the following:

- Full BOPE test at first installation on the pad.
- Full BOPE test every 30 days per Onshore Order No. 2.
- Function test BOP elements per Onshore Order No. 2.
- Break testing BOP and BOPE coupled with batch drilling operations and option to offline cement and/or remediate (if needed) any surface or intermediate sections, according to attached offline cementing support documentation.
- After the well section is secured, the BOP will be disconnected from the wellhead and walked with the rig to another well on the pad.
- TA cap will also be installed per Wellhead vendor procedure and pressure inside the casing will be monitored via the valve on the TA cap as per standard batch drilling ops.
- See attached "EOG BLM Variance 3a -Offline Cement Intermediate Operational Procedure"



Icy 18 Fed 206H

261'
1359'

Proposed Wellbore B:

KB: 3512'
GL: 3487'

Section 18
T-25-S, R-33-E

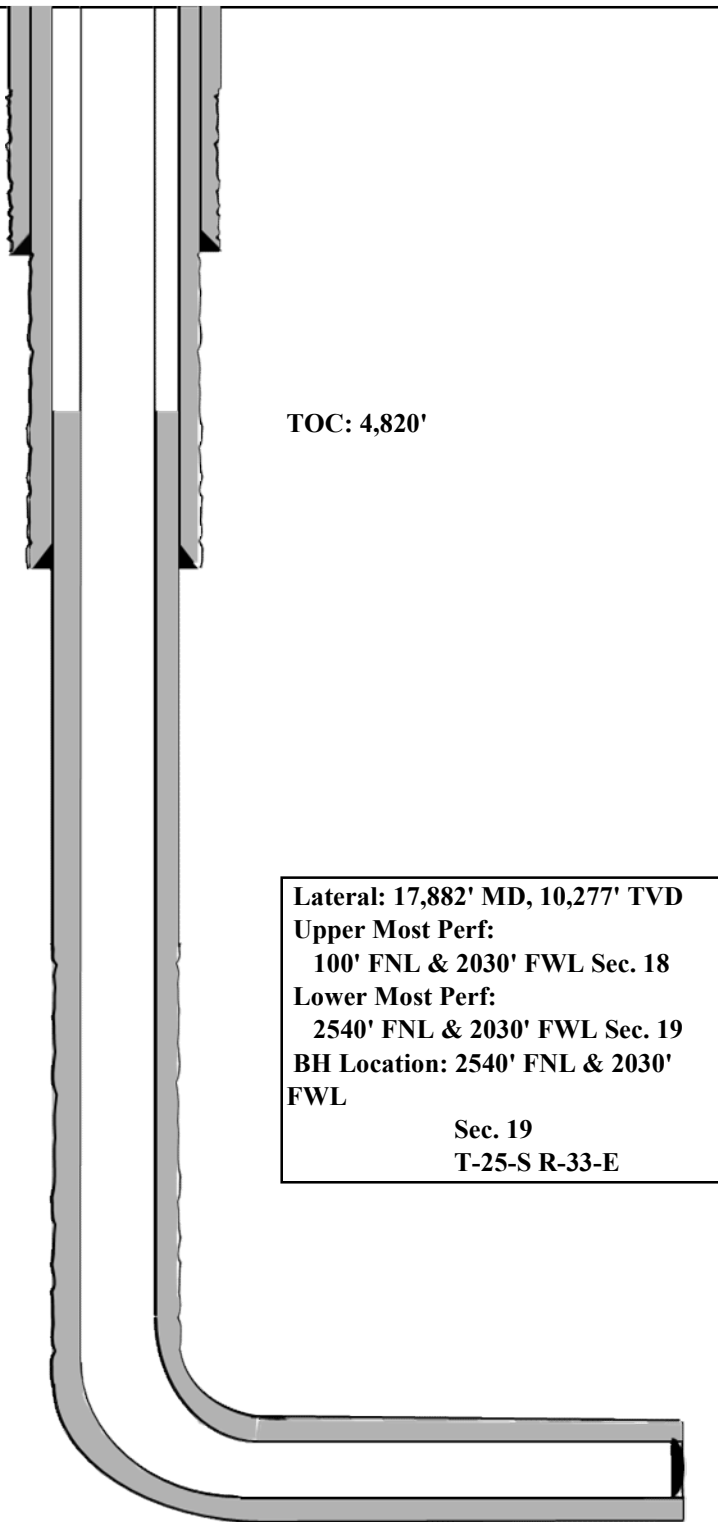
API: 30-025-*****

Bit Size: 13-1/2"
10-3/4", 40.5#, J-55, STC
@ 0' - 1,650'

Bit Size: 9-7/8"
8-5/8", 32.#, J-55, BTC-SC
@ 0' - 4,000'
8-5/8", 32.#, P110-EC, BTC-SC
@ 4,000' - 5,320'

Bit Size: 6-3/4"
5-1/2", 17.#, HCP-110, LTC
@ 0' - 17,882'

KOP: 9,840' MD, 9,800' TVD
EOC: 10,590' MD, 10,277' TVD



TOC: 4,820'

Lateral: 17,882' MD, 10,277' TVD
Upper Most Perf:
100' FNL & 2030' FWL Sec. 18
Lower Most Perf:
2540' FNL & 2030' FWL Sec. 19
BH Location: 2540' FNL & 2030'
FWL
Sec. 19
T-25-S R-33-E



Midland

Lea County, NM (NAD 83 NME)

Icy 18 Fed

#206H

OH

Plan: Plan #0.1 RT

Standard Planning Report

05 January, 2023



Planning Report

Database:	PEDM	Local Co-ordinate Reference:	Well #206H
Company:	Midland	TVD Reference:	kb = 26' @ 3513.0usft
Project:	Lea County, NM (NAD 83 NME)	MD Reference:	kb = 26' @ 3513.0usft
Site:	Icy 18 Fed	North Reference:	Grid
Well:	#206H	Survey Calculation Method:	Minimum Curvature
Wellbore:	OH		
Design:	Plan #0.1 RT		

Project	Lea County, NM (NAD 83 NME)		
Map System:	US State Plane 1983	System Datum:	Mean Sea Level
Geo Datum:	North American Datum 1983		
Map Zone:	New Mexico Eastern Zone		

Site	Icy 18 Fed				
Site Position:		Northing:	414,414.00 usft	Latitude:	32° 8' 14.217 N
From:	Map	Easting:	762,703.00 usft	Longitude:	103° 37' 5.391 W
Position Uncertainty:	0.0 usft	Slot Radius:	13-3/16 "		

Well	#206H					
Well Position	+N/-S	0.0 usft	Northing:	414,369.00 usft	Latitude:	32° 8' 13.717 N
	+E/-W	0.0 usft	Easting:	763,528.00 usft	Longitude:	103° 36' 55.799 W
Position Uncertainty	0.0 usft		Wellhead Elevation:	usft	Ground Level:	3,487.0 usft
Grid Convergence:	0.38 °					

Wellbore	OH				
Magnetics	Model Name	Sample Date	Declination (°)	Dip Angle (°)	Field Strength (nT)
	IGRF2020	6/28/2022	6.44	59.78	47,329.77393072

Design	Plan #0.1 RT			
Audit Notes:				
Version:	Phase:	PLAN	Tie On Depth:	0.0
Vertical Section:	Depth From (TVD) (usft)	+N/-S (usft)	+E/-W (usft)	Direction (°)
	0.0	0.0	0.0	174.59

Plan Survey Tool Program	Date	6/28/2022		
Depth From (usft)	Depth To (usft)	Survey (Wellbore)	Tool Name	Remarks
1	0.0	17,882.5 Plan #0.1 RT (OH)	EOG MWD+IFR1 MWD + IFR1	



Planning Report

Database:	PEDM	Local Co-ordinate Reference:	Well #206H
Company:	Midland	TVD Reference:	kb = 26' @ 3513.0usft
Project:	Lea County, NM (NAD 83 NME)	MD Reference:	kb = 26' @ 3513.0usft
Site:	Icy 18 Fed	North Reference:	Grid
Well:	#206H	Survey Calculation Method:	Minimum Curvature
Wellbore:	OH		
Design:	Plan #0.1 RT		

Plan Sections										
Measured Depth (usft)	Inclination (°)	Azimuth (°)	Vertical Depth (usft)	+N/-S (usft)	+E/-W (usft)	Dogleg Rate (°/100usft)	Build Rate (°/100usft)	Turn Rate (°/100usft)	TFO (°)	Target
0.0	0.00	0.00	0.0	0.0	0.0	0.00	0.00	0.00	0.00	
1,700.0	0.00	0.00	1,700.0	0.0	0.0	0.00	0.00	0.00	0.00	
2,034.5	6.69	72.21	2,033.8	6.0	18.6	2.00	2.00	0.00	72.21	
7,738.8	6.69	72.21	7,699.2	209.0	651.4	0.00	0.00	0.00	0.00	
8,073.4	0.00	0.00	8,033.0	215.0	670.0	2.00	-2.00	0.00	180.00	
9,839.9	0.00	0.00	9,799.5	215.0	670.0	0.00	0.00	0.00	0.00	0.00 KOP(Icy 18 Fed #206
10,060.3	26.46	180.00	10,012.2	165.0	670.0	12.00	12.00	81.65	180.00	FTP(Icy 18 Fed #206I
10,589.8	90.00	179.66	10,276.9	-262.5	671.8	12.00	12.00	-0.06	-0.38	
17,882.5	90.00	179.66	10,277.0	-7,555.0	715.0	0.00	0.00	0.00	0.00	PBHL(Icy 18 Fed #20



Planning Report

Database:	PEDM	Local Co-ordinate Reference:	Well #206H
Company:	Midland	TVD Reference:	kb = 26' @ 3513.0usft
Project:	Lea County, NM (NAD 83 NME)	MD Reference:	kb = 26' @ 3513.0usft
Site:	Icy 18 Fed	North Reference:	Grid
Well:	#206H	Survey Calculation Method:	Minimum Curvature
Wellbore:	OH		
Design:	Plan #0.1 RT		

Planned Survey									
Measured Depth (usft)	Inclination (°)	Azimuth (°)	Vertical Depth (usft)	+N/-S (usft)	+E/-W (usft)	Vertical Section (usft)	Dogleg Rate (°/100usft)	Build Rate (°/100usft)	Turn Rate (°/100usft)
0.0	0.00	0.00	0.0	0.0	0.0	0.0	0.00	0.00	0.00
100.0	0.00	0.00	100.0	0.0	0.0	0.0	0.00	0.00	0.00
200.0	0.00	0.00	200.0	0.0	0.0	0.0	0.00	0.00	0.00
300.0	0.00	0.00	300.0	0.0	0.0	0.0	0.00	0.00	0.00
400.0	0.00	0.00	400.0	0.0	0.0	0.0	0.00	0.00	0.00
500.0	0.00	0.00	500.0	0.0	0.0	0.0	0.00	0.00	0.00
600.0	0.00	0.00	600.0	0.0	0.0	0.0	0.00	0.00	0.00
700.0	0.00	0.00	700.0	0.0	0.0	0.0	0.00	0.00	0.00
800.0	0.00	0.00	800.0	0.0	0.0	0.0	0.00	0.00	0.00
900.0	0.00	0.00	900.0	0.0	0.0	0.0	0.00	0.00	0.00
1,000.0	0.00	0.00	1,000.0	0.0	0.0	0.0	0.00	0.00	0.00
1,100.0	0.00	0.00	1,100.0	0.0	0.0	0.0	0.00	0.00	0.00
1,200.0	0.00	0.00	1,200.0	0.0	0.0	0.0	0.00	0.00	0.00
1,300.0	0.00	0.00	1,300.0	0.0	0.0	0.0	0.00	0.00	0.00
1,400.0	0.00	0.00	1,400.0	0.0	0.0	0.0	0.00	0.00	0.00
1,500.0	0.00	0.00	1,500.0	0.0	0.0	0.0	0.00	0.00	0.00
1,600.0	0.00	0.00	1,600.0	0.0	0.0	0.0	0.00	0.00	0.00
1,700.0	0.00	0.00	1,700.0	0.0	0.0	0.0	0.00	0.00	0.00
1,800.0	2.00	72.21	1,800.0	0.5	1.7	-0.4	2.00	2.00	0.00
1,900.0	4.00	72.21	1,899.8	2.1	6.6	-1.5	2.00	2.00	0.00
2,000.0	6.00	72.21	1,999.5	4.8	14.9	-3.4	2.00	2.00	0.00
2,034.5	6.69	72.21	2,033.8	6.0	18.6	-4.2	2.00	2.00	0.00
2,100.0	6.69	72.21	2,098.8	8.3	25.8	-5.8	0.00	0.00	0.00
2,200.0	6.69	72.21	2,198.1	11.9	36.9	-8.3	0.00	0.00	0.00
2,300.0	6.69	72.21	2,297.4	15.4	48.0	-10.8	0.00	0.00	0.00
2,400.0	6.69	72.21	2,396.8	19.0	59.1	-13.3	0.00	0.00	0.00
2,500.0	6.69	72.21	2,496.1	22.5	70.2	-15.8	0.00	0.00	0.00
2,600.0	6.69	72.21	2,595.4	26.1	81.3	-18.3	0.00	0.00	0.00
2,700.0	6.69	72.21	2,694.7	29.7	92.4	-20.8	0.00	0.00	0.00
2,800.0	6.69	72.21	2,794.0	33.2	103.5	-23.3	0.00	0.00	0.00
2,900.0	6.69	72.21	2,893.3	36.8	114.6	-25.8	0.00	0.00	0.00
3,000.0	6.69	72.21	2,992.7	40.3	125.7	-28.3	0.00	0.00	0.00
3,100.0	6.69	72.21	3,092.0	43.9	136.8	-30.8	0.00	0.00	0.00
3,200.0	6.69	72.21	3,191.3	47.5	147.9	-33.3	0.00	0.00	0.00
3,300.0	6.69	72.21	3,290.6	51.0	159.0	-35.8	0.00	0.00	0.00
3,400.0	6.69	72.21	3,389.9	54.6	170.1	-38.3	0.00	0.00	0.00
3,500.0	6.69	72.21	3,489.3	58.1	181.2	-40.8	0.00	0.00	0.00
3,600.0	6.69	72.21	3,588.6	61.7	192.3	-43.3	0.00	0.00	0.00
3,700.0	6.69	72.21	3,687.9	65.3	203.3	-45.8	0.00	0.00	0.00
3,800.0	6.69	72.21	3,787.2	68.8	214.4	-48.3	0.00	0.00	0.00
3,900.0	6.69	72.21	3,886.5	72.4	225.5	-50.8	0.00	0.00	0.00
4,000.0	6.69	72.21	3,985.9	75.9	236.6	-53.3	0.00	0.00	0.00
4,100.0	6.69	72.21	4,085.2	79.5	247.7	-55.8	0.00	0.00	0.00
4,200.0	6.69	72.21	4,184.5	83.1	258.8	-58.3	0.00	0.00	0.00
4,300.0	6.69	72.21	4,283.8	86.6	269.9	-60.8	0.00	0.00	0.00
4,400.0	6.69	72.21	4,383.1	90.2	281.0	-63.3	0.00	0.00	0.00
4,500.0	6.69	72.21	4,482.4	93.7	292.1	-65.8	0.00	0.00	0.00
4,600.0	6.69	72.21	4,581.8	97.3	303.2	-68.3	0.00	0.00	0.00
4,700.0	6.69	72.21	4,681.1	100.9	314.3	-70.8	0.00	0.00	0.00
4,800.0	6.69	72.21	4,780.4	104.4	325.4	-73.3	0.00	0.00	0.00
4,900.0	6.69	72.21	4,879.7	108.0	336.5	-75.8	0.00	0.00	0.00
5,000.0	6.69	72.21	4,979.0	111.5	347.6	-78.3	0.00	0.00	0.00
5,100.0	6.69	72.21	5,078.4	115.1	358.7	-80.8	0.00	0.00	0.00
5,200.0	6.69	72.21	5,177.7	118.7	369.8	-83.3	0.00	0.00	0.00



Planning Report

Database:	PEDM	Local Co-ordinate Reference:	Well #206H
Company:	Midland	TVD Reference:	kb = 26' @ 3513.0usft
Project:	Lea County, NM (NAD 83 NME)	MD Reference:	kb = 26' @ 3513.0usft
Site:	Icy 18 Fed	North Reference:	Grid
Well:	#206H	Survey Calculation Method:	Minimum Curvature
Wellbore:	OH		
Design:	Plan #0.1 RT		

Planned Survey										
Measured Depth (usft)	Inclination (°)	Azimuth (°)	Vertical Depth (usft)	+N/-S (usft)	+E/-W (usft)	Vertical Section (usft)	Dogleg Rate (°/100usft)	Build Rate (°/100usft)	Turn Rate (°/100usft)	
5,300.0	6.69	72.21	5,277.0	122.2	380.9	-85.8	0.00	0.00	0.00	
5,400.0	6.69	72.21	5,376.3	125.8	391.9	-88.3	0.00	0.00	0.00	
5,500.0	6.69	72.21	5,475.6	129.3	403.0	-90.8	0.00	0.00	0.00	
5,600.0	6.69	72.21	5,575.0	132.9	414.1	-93.3	0.00	0.00	0.00	
5,700.0	6.69	72.21	5,674.3	136.5	425.2	-95.8	0.00	0.00	0.00	
5,800.0	6.69	72.21	5,773.6	140.0	436.3	-98.3	0.00	0.00	0.00	
5,900.0	6.69	72.21	5,872.9	143.6	447.4	-100.8	0.00	0.00	0.00	
6,000.0	6.69	72.21	5,972.2	147.1	458.5	-103.3	0.00	0.00	0.00	
6,100.0	6.69	72.21	6,071.6	150.7	469.6	-105.8	0.00	0.00	0.00	
6,200.0	6.69	72.21	6,170.9	154.3	480.7	-108.3	0.00	0.00	0.00	
6,300.0	6.69	72.21	6,270.2	157.8	491.8	-110.8	0.00	0.00	0.00	
6,400.0	6.69	72.21	6,369.5	161.4	502.9	-113.3	0.00	0.00	0.00	
6,500.0	6.69	72.21	6,468.8	164.9	514.0	-115.8	0.00	0.00	0.00	
6,600.0	6.69	72.21	6,568.1	168.5	525.1	-118.3	0.00	0.00	0.00	
6,700.0	6.69	72.21	6,667.5	172.1	536.2	-120.8	0.00	0.00	0.00	
6,800.0	6.69	72.21	6,766.8	175.6	547.3	-123.3	0.00	0.00	0.00	
6,900.0	6.69	72.21	6,866.1	179.2	558.4	-125.8	0.00	0.00	0.00	
7,000.0	6.69	72.21	6,965.4	182.7	569.5	-128.3	0.00	0.00	0.00	
7,100.0	6.69	72.21	7,064.7	186.3	580.5	-130.8	0.00	0.00	0.00	
7,200.0	6.69	72.21	7,164.1	189.9	591.6	-133.3	0.00	0.00	0.00	
7,300.0	6.69	72.21	7,263.4	193.4	602.7	-135.8	0.00	0.00	0.00	
7,400.0	6.69	72.21	7,362.7	197.0	613.8	-138.3	0.00	0.00	0.00	
7,500.0	6.69	72.21	7,462.0	200.5	624.9	-140.8	0.00	0.00	0.00	
7,600.0	6.69	72.21	7,561.3	204.1	636.0	-143.3	0.00	0.00	0.00	
7,700.0	6.69	72.21	7,660.7	207.7	647.1	-145.8	0.00	0.00	0.00	
7,738.8	6.69	72.21	7,699.2	209.0	651.4	-146.7	0.00	0.00	0.00	
7,800.0	5.47	72.21	7,760.0	211.0	657.6	-148.1	2.00	-2.00	0.00	
7,900.0	3.47	72.21	7,859.7	213.4	665.0	-149.8	2.00	-2.00	0.00	
8,000.0	1.47	72.21	7,959.6	214.7	669.1	-150.7	2.00	-2.00	0.00	
8,073.4	0.00	0.00	8,033.0	215.0	670.0	-150.9	2.00	-2.00	0.00	
8,100.0	0.00	0.00	8,059.6	215.0	670.0	-150.9	0.00	0.00	0.00	
8,200.0	0.00	0.00	8,159.6	215.0	670.0	-150.9	0.00	0.00	0.00	
8,300.0	0.00	0.00	8,259.6	215.0	670.0	-150.9	0.00	0.00	0.00	
8,400.0	0.00	0.00	8,359.6	215.0	670.0	-150.9	0.00	0.00	0.00	
8,500.0	0.00	0.00	8,459.6	215.0	670.0	-150.9	0.00	0.00	0.00	
8,600.0	0.00	0.00	8,559.6	215.0	670.0	-150.9	0.00	0.00	0.00	
8,700.0	0.00	0.00	8,659.6	215.0	670.0	-150.9	0.00	0.00	0.00	
8,800.0	0.00	0.00	8,759.6	215.0	670.0	-150.9	0.00	0.00	0.00	
8,900.0	0.00	0.00	8,859.6	215.0	670.0	-150.9	0.00	0.00	0.00	
9,000.0	0.00	0.00	8,959.6	215.0	670.0	-150.9	0.00	0.00	0.00	
9,100.0	0.00	0.00	9,059.6	215.0	670.0	-150.9	0.00	0.00	0.00	
9,200.0	0.00	0.00	9,159.6	215.0	670.0	-150.9	0.00	0.00	0.00	
9,300.0	0.00	0.00	9,259.6	215.0	670.0	-150.9	0.00	0.00	0.00	
9,400.0	0.00	0.00	9,359.6	215.0	670.0	-150.9	0.00	0.00	0.00	
9,500.0	0.00	0.00	9,459.6	215.0	670.0	-150.9	0.00	0.00	0.00	
9,600.0	0.00	0.00	9,559.6	215.0	670.0	-150.9	0.00	0.00	0.00	
9,700.0	0.00	0.00	9,659.6	215.0	670.0	-150.9	0.00	0.00	0.00	
9,800.0	0.00	0.00	9,759.6	215.0	670.0	-150.9	0.00	0.00	0.00	
9,839.9	0.00	0.00	9,799.5	215.0	670.0	-150.9	0.00	0.00	0.00	
9,850.0	1.22	180.00	9,809.6	214.9	670.0	-150.8	12.00	12.00	0.00	
9,875.0	4.22	180.00	9,834.6	213.7	670.0	-149.6	12.00	12.00	0.00	
9,900.0	7.22	180.00	9,859.5	211.2	670.0	-147.2	12.00	12.00	0.00	
9,925.0	10.22	180.00	9,884.2	207.4	670.0	-143.4	12.00	12.00	0.00	
9,950.0	13.22	180.00	9,908.7	202.4	670.0	-138.3	12.00	12.00	0.00	



Planning Report

Database:	PEDM	Local Co-ordinate Reference:	Well #206H
Company:	Midland	TVD Reference:	kb = 26' @ 3513.0usft
Project:	Lea County, NM (NAD 83 NME)	MD Reference:	kb = 26' @ 3513.0usft
Site:	Icy 18 Fed	North Reference:	Grid
Well:	#206H	Survey Calculation Method:	Minimum Curvature
Wellbore:	OH		
Design:	Plan #0.1 RT		

Planned Survey									
Measured Depth (usft)	Inclination (°)	Azimuth (°)	Vertical Depth (usft)	+N/-S (usft)	+E/-W (usft)	Vertical Section (usft)	Dogleg Rate (°/100usft)	Build Rate (°/100usft)	Turn Rate (°/100usft)
9,975.0	16.22	180.00	9,932.8	196.0	670.0	-132.0	12.00	12.00	0.00
10,000.0	19.22	180.00	9,956.6	188.4	670.0	-124.4	12.00	12.00	0.00
10,025.0	22.22	180.00	9,980.0	179.6	670.0	-115.6	12.00	12.00	0.00
10,050.0	25.22	180.00	10,002.9	169.5	670.0	-105.6	12.00	12.00	0.00
10,060.3	26.46	180.00	10,012.2	165.0	670.0	-101.1	12.00	12.00	0.00
10,075.0	28.22	179.98	10,025.2	158.3	670.0	-94.4	12.00	12.00	-0.17
10,100.0	31.22	179.94	10,046.9	145.9	670.0	-82.1	12.00	12.00	-0.14
10,125.0	34.22	179.91	10,068.0	132.4	670.0	-68.6	12.00	12.00	-0.12
10,150.0	37.22	179.88	10,088.3	117.8	670.1	-54.1	12.00	12.00	-0.10
10,175.0	40.22	179.86	10,107.8	102.1	670.1	-38.5	12.00	12.00	-0.09
10,200.0	43.22	179.84	10,126.4	85.5	670.1	-22.0	12.00	12.00	-0.08
10,225.0	46.22	179.82	10,144.2	67.9	670.2	-4.5	12.00	12.00	-0.07
10,250.0	49.22	179.81	10,161.0	49.4	670.2	14.0	12.00	12.00	-0.06
10,275.0	52.22	179.79	10,176.8	30.1	670.3	33.2	12.00	12.00	-0.06
10,300.0	55.22	179.78	10,191.6	9.9	670.4	53.3	12.00	12.00	-0.05
10,325.0	58.22	179.76	10,205.4	-11.0	670.5	74.1	12.00	12.00	-0.05
10,350.0	61.22	179.75	10,218.0	-32.6	670.6	95.6	12.00	12.00	-0.05
10,375.0	64.22	179.74	10,229.4	-54.8	670.7	117.7	12.00	12.00	-0.04
10,400.0	67.22	179.73	10,239.7	-77.6	670.8	140.4	12.00	12.00	-0.04
10,425.0	70.22	179.72	10,248.8	-100.9	670.9	163.6	12.00	12.00	-0.04
10,450.0	73.22	179.71	10,256.6	-124.6	671.0	187.3	12.00	12.00	-0.04
10,475.0	76.22	179.70	10,263.2	-148.7	671.1	211.3	12.00	12.00	-0.04
10,500.0	79.22	179.69	10,268.5	-173.1	671.2	235.6	12.00	12.00	-0.04
10,525.0	82.22	179.68	10,272.5	-197.8	671.4	260.2	12.00	12.00	-0.04
10,550.0	85.22	179.67	10,275.3	-222.7	671.5	284.9	12.00	12.00	-0.04
10,575.0	88.22	179.67	10,276.7	-247.6	671.7	309.8	12.00	12.00	-0.04
10,589.8	90.00	179.66	10,276.9	-262.5	671.8	324.6	12.00	12.00	-0.04
10,600.0	90.00	179.66	10,276.9	-272.6	671.8	334.7	0.00	0.00	0.00
10,700.0	90.00	179.66	10,276.9	-372.6	672.4	434.3	0.00	0.00	0.00
10,800.0	90.00	179.66	10,276.9	-472.6	673.0	533.9	0.00	0.00	0.00
10,900.0	90.00	179.66	10,276.9	-572.6	673.6	633.5	0.00	0.00	0.00
11,000.0	90.00	179.66	10,276.9	-672.6	674.2	733.1	0.00	0.00	0.00
11,100.0	90.00	179.66	10,276.9	-772.6	674.8	832.7	0.00	0.00	0.00
11,200.0	90.00	179.66	10,276.9	-872.6	675.4	932.3	0.00	0.00	0.00
11,300.0	90.00	179.66	10,276.9	-972.6	676.0	1,032.0	0.00	0.00	0.00
11,400.0	90.00	179.66	10,277.0	-1,072.6	676.6	1,131.6	0.00	0.00	0.00
11,500.0	90.00	179.66	10,277.0	-1,172.6	677.2	1,231.2	0.00	0.00	0.00
11,600.0	90.00	179.66	10,277.0	-1,272.6	677.7	1,330.8	0.00	0.00	0.00
11,700.0	90.00	179.66	10,277.0	-1,372.6	678.3	1,430.4	0.00	0.00	0.00
11,800.0	90.00	179.66	10,277.0	-1,472.6	678.9	1,530.0	0.00	0.00	0.00
11,900.0	90.00	179.66	10,277.0	-1,572.6	679.5	1,629.6	0.00	0.00	0.00
12,000.0	90.00	179.66	10,277.0	-1,672.6	680.1	1,729.2	0.00	0.00	0.00
12,100.0	90.00	179.66	10,277.0	-1,772.6	680.7	1,828.8	0.00	0.00	0.00
12,200.0	90.00	179.66	10,277.0	-1,872.6	681.3	1,928.4	0.00	0.00	0.00
12,300.0	90.00	179.66	10,277.0	-1,972.6	681.9	2,028.0	0.00	0.00	0.00
12,400.0	90.00	179.66	10,277.0	-2,072.6	682.5	2,127.7	0.00	0.00	0.00
12,500.0	90.00	179.66	10,277.0	-2,172.6	683.1	2,227.3	0.00	0.00	0.00
12,600.0	90.00	179.66	10,277.0	-2,272.6	683.7	2,326.9	0.00	0.00	0.00
12,700.0	90.00	179.66	10,277.0	-2,372.6	684.3	2,426.5	0.00	0.00	0.00
12,800.0	90.00	179.66	10,277.0	-2,472.6	684.9	2,526.1	0.00	0.00	0.00
12,900.0	90.00	179.66	10,277.0	-2,572.6	685.5	2,625.7	0.00	0.00	0.00
13,000.0	90.00	179.66	10,277.0	-2,672.6	686.0	2,725.3	0.00	0.00	0.00
13,100.0	90.00	179.66	10,277.0	-2,772.6	686.6	2,824.9	0.00	0.00	0.00
13,200.0	90.00	179.66	10,277.0	-2,872.6	687.2	2,924.5	0.00	0.00	0.00



Planning Report

Database:	PEDM	Local Co-ordinate Reference:	Well #206H
Company:	Midland	TVD Reference:	kb = 26' @ 3513.0usft
Project:	Lea County, NM (NAD 83 NME)	MD Reference:	kb = 26' @ 3513.0usft
Site:	Icy 18 Fed	North Reference:	Grid
Well:	#206H	Survey Calculation Method:	Minimum Curvature
Wellbore:	OH		
Design:	Plan #0.1 RT		

Planned Survey									
Measured Depth (usft)	Inclination (°)	Azimuth (°)	Vertical Depth (usft)	+N/-S (usft)	+E/-W (usft)	Vertical Section (usft)	Dogleg Rate (°/100usft)	Build Rate (°/100usft)	Turn Rate (°/100usft)
13,300.0	90.00	179.66	10,277.0	-2,972.6	687.8	3,024.1	0.00	0.00	0.00
13,400.0	90.00	179.66	10,277.0	-3,072.6	688.4	3,123.8	0.00	0.00	0.00
13,500.0	90.00	179.66	10,277.0	-3,172.6	689.0	3,223.4	0.00	0.00	0.00
13,600.0	90.00	179.66	10,277.0	-3,272.6	689.6	3,323.0	0.00	0.00	0.00
13,700.0	90.00	179.66	10,277.0	-3,372.6	690.2	3,422.6	0.00	0.00	0.00
13,800.0	90.00	179.66	10,277.0	-3,472.6	690.8	3,522.2	0.00	0.00	0.00
13,900.0	90.00	179.66	10,277.0	-3,572.5	691.4	3,621.8	0.00	0.00	0.00
14,000.0	90.00	179.66	10,277.0	-3,672.5	692.0	3,721.4	0.00	0.00	0.00
14,100.0	90.00	179.66	10,277.0	-3,772.5	692.6	3,821.0	0.00	0.00	0.00
14,200.0	90.00	179.66	10,277.0	-3,872.5	693.2	3,920.6	0.00	0.00	0.00
14,300.0	90.00	179.66	10,277.0	-3,972.5	693.8	4,020.2	0.00	0.00	0.00
14,400.0	90.00	179.66	10,277.0	-4,072.5	694.3	4,119.8	0.00	0.00	0.00
14,500.0	90.00	179.66	10,277.0	-4,172.5	694.9	4,219.5	0.00	0.00	0.00
14,600.0	90.00	179.66	10,277.0	-4,272.5	695.5	4,319.1	0.00	0.00	0.00
14,700.0	90.00	179.66	10,277.0	-4,372.5	696.1	4,418.7	0.00	0.00	0.00
14,800.0	90.00	179.66	10,277.0	-4,472.5	696.7	4,518.3	0.00	0.00	0.00
14,900.0	90.00	179.66	10,277.0	-4,572.5	697.3	4,617.9	0.00	0.00	0.00
15,000.0	90.00	179.66	10,277.0	-4,672.5	697.9	4,717.5	0.00	0.00	0.00
15,100.0	90.00	179.66	10,277.0	-4,772.5	698.5	4,817.1	0.00	0.00	0.00
15,200.0	90.00	179.66	10,277.0	-4,872.5	699.1	4,916.7	0.00	0.00	0.00
15,300.0	90.00	179.66	10,277.0	-4,972.5	699.7	5,016.3	0.00	0.00	0.00
15,400.0	90.00	179.66	10,277.0	-5,072.5	700.3	5,115.9	0.00	0.00	0.00
15,500.0	90.00	179.66	10,277.0	-5,172.5	700.9	5,215.5	0.00	0.00	0.00
15,600.0	90.00	179.66	10,277.0	-5,272.5	701.5	5,315.2	0.00	0.00	0.00
15,700.0	90.00	179.66	10,277.0	-5,372.5	702.1	5,414.8	0.00	0.00	0.00
15,800.0	90.00	179.66	10,277.0	-5,472.5	702.7	5,514.4	0.00	0.00	0.00
15,900.0	90.00	179.66	10,277.0	-5,572.5	703.2	5,614.0	0.00	0.00	0.00
16,000.0	90.00	179.66	10,277.0	-5,672.5	703.8	5,713.6	0.00	0.00	0.00
16,100.0	90.00	179.66	10,277.0	-5,772.5	704.4	5,813.2	0.00	0.00	0.00
16,200.0	90.00	179.66	10,277.0	-5,872.5	705.0	5,912.8	0.00	0.00	0.00
16,300.0	90.00	179.66	10,277.0	-5,972.5	705.6	6,012.4	0.00	0.00	0.00
16,400.0	90.00	179.66	10,277.0	-6,072.5	706.2	6,112.0	0.00	0.00	0.00
16,500.0	90.00	179.66	10,277.0	-6,172.5	706.8	6,211.6	0.00	0.00	0.00
16,600.0	90.00	179.66	10,277.0	-6,272.5	707.4	6,311.2	0.00	0.00	0.00
16,700.0	90.00	179.66	10,277.0	-6,372.5	708.0	6,410.9	0.00	0.00	0.00
16,800.0	90.00	179.66	10,277.0	-6,472.5	708.6	6,510.5	0.00	0.00	0.00
16,900.0	90.00	179.66	10,277.0	-6,572.5	709.2	6,610.1	0.00	0.00	0.00
17,000.0	90.00	179.66	10,277.0	-6,672.5	709.8	6,709.7	0.00	0.00	0.00
17,100.0	90.00	179.66	10,277.0	-6,772.5	710.4	6,809.3	0.00	0.00	0.00
17,200.0	90.00	179.66	10,277.0	-6,872.5	711.0	6,908.9	0.00	0.00	0.00
17,300.0	90.00	179.66	10,277.0	-6,972.5	711.5	7,008.5	0.00	0.00	0.00
17,400.0	90.00	179.66	10,277.0	-7,072.5	712.1	7,108.1	0.00	0.00	0.00
17,500.0	90.00	179.66	10,277.0	-7,172.5	712.7	7,207.7	0.00	0.00	0.00
17,600.0	90.00	179.66	10,277.0	-7,272.5	713.3	7,307.3	0.00	0.00	0.00
17,700.0	90.00	179.66	10,277.0	-7,372.5	713.9	7,406.9	0.00	0.00	0.00
17,800.0	90.00	179.66	10,277.0	-7,472.5	714.5	7,506.6	0.00	0.00	0.00
17,882.5	90.00	179.66	10,277.0	-7,555.0	715.0	7,588.8	0.00	0.00	0.00



Planning Report

Database:	PEDM	Local Co-ordinate Reference:	Well #206H
Company:	Midland	TVD Reference:	kb = 26' @ 3513.0usft
Project:	Lea County, NM (NAD 83 NME)	MD Reference:	kb = 26' @ 3513.0usft
Site:	Icy 18 Fed	North Reference:	Grid
Well:	#206H	Survey Calculation Method:	Minimum Curvature
Wellbore:	OH		
Design:	Plan #0.1 RT		

Design Targets									
Target Name - hit/miss target - Shape	Dip Angle (°)	Dip Dir. (°)	TVD (usft)	+N/-S (usft)	+E/-W (usft)	Northing (usft)	Easting (usft)	Latitude	Longitude
KOP(Icy 18 Fed #206H) - plan hits target center - Point	0.00	0.00	9,799.5	215.0	670.0	414,584.00	764,198.00	32° 8' 15.801 N	103° 36' 47.991 W
FTP(Icy 18 Fed #206H) - plan hits target center - Point	0.00	0.00	10,012.2	165.0	670.0	414,534.00	764,198.00	32° 8' 15.306 N	103° 36' 47.995 W
PBHL(Icy 18 Fed #206H) - plan hits target center - Point	0.00	0.00	10,277.0	-7,555.0	715.0	406,814.00	764,243.00	32° 6' 58.910 N	103° 36' 48.071 W



Lea County, NM (NAD 83 NME)

Icy 18 Fed #206H

Plan #0.1 RT



To convert a Magnetic Direction to a Grid Direction, Add 6.06°
 To convert a Magnetic Direction to a True Direction, Add 6.44° East
 To convert a True Direction to a Grid Direction, Subtract 0.38°

PROJECT DETAILS: Lea County, NM (NAD 83 NME)

Geodetic System: US State Plane 1983
 Datum: North American Datum 1983
 Ellipsoid: GRS 1980
 Zone: New Mexico Eastern Zone
 System Datum: Mean Sea Level

WELL DETAILS: #206H

kb = 26' @ 3513.0usft 3487.0

Northing	Easting	Latitude	Longitude
414369.00	763528.00	32° 8' 13.717 N	103° 36' 55.799 W

SECTION DETAILS

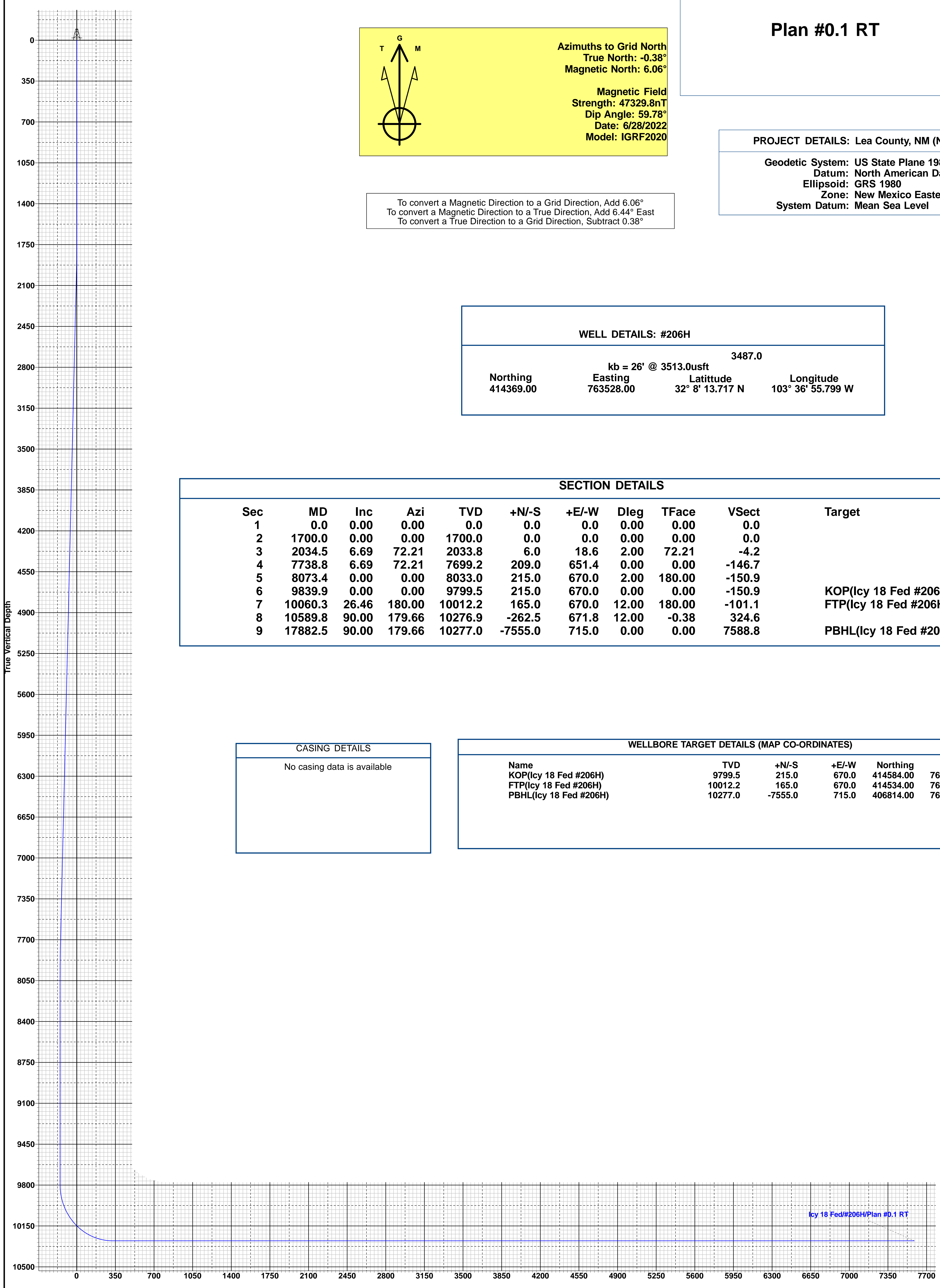
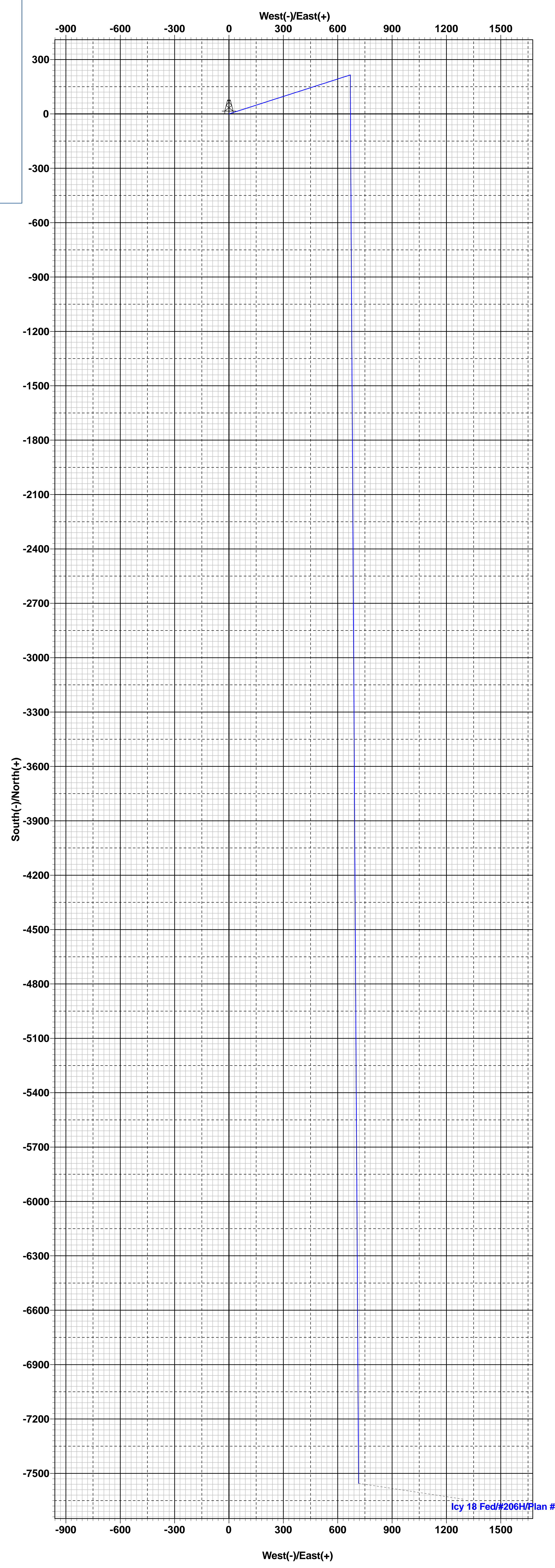
Sec	MD	Inc	Azi	TVD	+N/-S	+E/-W	Dleg	TFace	VSect	Target
1	0.0	0.00	0.00	0.0	0.0	0.0	0.00	0.00	0.0	
2	1700.0	0.00	0.00	1700.0	0.0	0.0	0.00	0.00	0.0	
3	2034.5	6.69	72.21	2033.8	6.0	18.6	2.00	72.21	-4.2	
4	7738.8	6.69	72.21	7699.2	209.0	651.4	0.00	0.00	-146.7	
5	8073.4	0.00	0.00	8033.0	215.0	670.0	2.00	180.00	-150.9	
6	9839.9	0.00	0.00	9799.5	215.0	670.0	0.00	0.00	-150.9	KOP(Icy 18 Fed #206H)
7	10060.3	26.46	180.00	10012.2	165.0	670.0	12.00	180.00	-101.1	FTP(Icy 18 Fed #206H)
8	10589.8	90.00	179.66	10276.9	-262.5	671.8	12.00	-0.38	324.6	
9	17882.5	90.00	179.66	10277.0	-7555.0	715.0	0.00	0.00	7588.8	PBHL(Icy 18 Fed #206H)

CASING DETAILS

No casing data is available

WELLBORE TARGET DETAILS (MAP CO-ORDINATES)

Name	TVD	+N/-S	+E/-W	Northing	Easting
KOP(Icy 18 Fed #206H)	9799.5	215.0	670.0	414584.00	764198.00
FTP(Icy 18 Fed #206H)	10012.2	165.0	670.0	414534.00	764198.00
PBHL(Icy 18 Fed #206H)	10277.0	-7555.0	715.0	406814.00	764243.00



Vertical Section at 174.59°

PECOS DISTRICT DRILLING CONDITIONS OF APPROVAL

OPERATOR'S NAME:	EOG RESOURCES INCORPORATED
WELL NAME & NO.:	ICY 18 FED 206H
SURFACE HOLE FOOTAGE:	261'N & 1359'W
BOTTOM HOLE FOOTAGE:	2540'N & 2030'W Sec 19 T25S R33E
LOCATION:	Section 18, T.25 S., R.33 E., NMP
COUNTY:	Lea County, New Mexico

COA

H2S	<input checked="" type="radio"/> Yes	<input type="radio"/> No	
Potash	<input checked="" type="radio"/> None	<input type="radio"/> Secretary	<input type="radio"/> R-111-P
Cave/Karst Potential	<input checked="" type="radio"/> Low	<input type="radio"/> Medium	<input type="radio"/> High
Cave/Karst Potential	<input type="radio"/> Critical		
Variance	<input type="radio"/> None	<input checked="" type="radio"/> Flex Hose	<input type="radio"/> Other
Wellhead	<input type="radio"/> Conventional	<input checked="" type="radio"/> Multibowl	<input type="radio"/> Both
Wellhead Variance	<input type="radio"/> Diverter		
Other	<input type="checkbox"/> 4 String	<input type="checkbox"/> Capitan Reef	<input type="checkbox"/> WIPP
Other	<input type="checkbox"/> Fluid Filled	<input type="checkbox"/> Pilot Hole	<input type="checkbox"/> Open Annulus
Cementing	<input type="checkbox"/> Contingency Cement Squeeze	<input type="checkbox"/> EchoMeter	<input type="checkbox"/> Primary Cement Squeeze
Special Requirements	<input type="checkbox"/> Water Disposal	<input checked="" type="checkbox"/> COM	<input type="checkbox"/> Unit
Special Requirements	<input type="checkbox"/> Batch Sundry		
Special Requirements Variance	<input checked="" type="checkbox"/> Break Testing	<input checked="" type="checkbox"/> Offline Cementing	<input checked="" type="checkbox"/> Casing Clearance

A. HYDROGEN SULFIDE

A Hydrogen Sulfide (H2S) Drilling Plan shall be activated AT SPUD. As a result, the Hydrogen Sulfide area must meet 43 CFR 3170 requirements, which includes equipment and personnel/public protection items. If Hydrogen Sulfide is encountered, please provide measured values and formations to the BLM.

B. CASING

Operator has proposed a primary and alternate casing plan – listed separately below.

Primary Casing Design:

1. The **13-3/8** inch surface casing shall be set at approximately **1650 feet** (a minimum of 25 feet (Lea County) into the Rustler Anhydrite, above the salt, and below usable

fresh water) and cemented to the surface. The surface hole shall be **16 inch** in diameter.

- a. If cement does not circulate to the surface, the appropriate BLM office shall be notified and a temperature survey utilizing an electronic type temperature survey with surface log readout will be used or a cement bond log shall be run to verify the top of the cement. Temperature survey will be run a minimum of six hours after pumping cement and ideally between 8-10 hours after completing the cement job.
 - b. Wait on cement (WOC) time for a primary cement job will be a minimum of **8 hours** or 500 pounds compressive strength, whichever is greater. (This is to include the lead cement)
 - c. Wait on cement (WOC) time for a remedial job will be a minimum of 4 hours after bringing cement to surface or 500 pounds compressive strength, whichever is greater.
 - d. If cement falls back, remedial cementing will be done prior to drilling out that string.
2. **Cement excess is less than 25%, more cement is required if washout occurs. Adjust cement volume and excess based on a fluid caliper or similar method that reflects the as-drilled size of the wellbore.** The minimum required fill of cement behind the 9-5/8 inch intermediate casing is:
- Cement to surface. If cement does not circulate see B.1.a, c-d above. **Wait on cement (WOC) time for a primary cement job is to include the tail cement slurry due to cave/karst or potash.**

Casing test must be conducted in accordance with 43 CFR 3170. Surface pressure applied will vary based on fluid in the casing and burst conditions.

3. The minimum required fill of cement behind the 5-1/2 inch production casing is:
 - Cement should tie-back at least **200 feet** into previous casing string due to operator not meeting casing clearance requirement per 43 CFR 3170. Operator shall provide method of verification.

Alternate Casing Design:

1. The **10-3/4 inch** surface casing shall be set at approximately **1650 feet** (a minimum of **25 feet (Lea County)** into the Rustler Anhydrite, above the salt, and below usable fresh water) and cemented to the surface. The surface hole shall be **13-1/2 inch** in diameter.
 - a. If cement does not circulate to the surface, the appropriate BLM office shall be notified and a temperature survey utilizing an electronic type temperature survey with surface log readout will be used or a cement bond log shall be run to verify the top of the cement. Temperature survey will be run a minimum of six hours after pumping cement and ideally between 8-10 hours after

- completing the cement job.
- b. Wait on cement (WOC) time for a primary cement job will be a minimum of **8 hours** or 500 pounds compressive strength, whichever is greater. (This is to include the lead cement)
 - c. Wait on cement (WOC) time for a remedial job will be a minimum of 4 hours after bringing cement to surface or 500 pounds compressive strength, whichever is greater.
 - d. If cement falls back, remedial cementing will be done prior to drilling out that string.
2. The minimum required fill of cement behind the **8-5/8** inch intermediate casing is:
 - Cement to surface. If cement does not circulate see B.1.a, c-d above.
Wait on cement (WOC) time for a primary cement job is to include the tail cement slurry due to cave/karst or potash.
 3. The minimum required fill of cement behind the **5-1/2** inch production casing is:
 - Cement should tie-back at least **200 ft** previous casing string due to operator not meeting casing clearance requirement per 43 CFR 3170. Operator shall provide method of verification.

C. PRESSURE CONTROL

1. Variance approved to use flex line from BOP to choke manifold. Manufacturer's specification to be readily available. No external damage to flex line. Flex line to be installed as straight as possible (no hard bends).'
2. Operator has proposed a multi-bowl wellhead assembly. This assembly will only be tested when installed on the **13-3/8** inch surface casing. Minimum working pressure of the blowout preventer (BOP) and related equipment (BOPE) required for drilling below the surface casing shoe shall be **10,000 (10M) psi**. **Variance is approved to use a 5000 (5M) Annular which shall be tested to 5000 (5M) psi.**
 - a. Wellhead shall be installed by manufacturer's representatives, submit documentation with subsequent sundry.
 - b. If the welding is performed by a third party, the manufacturer's representative shall monitor the temperature to verify that it does not exceed the maximum temperature of the seal.
 - c. Manufacturer representative shall install the test plug for the initial BOP test.
 - d. If the cement does not circulate and one inch operations would have been possible with a standard wellhead, the well head shall be cut off, cementing operations performed and another wellhead installed.
 - e. Whenever any seal subject to test pressure is broken, all the tests in 43 CFR 3170 must be followed.

D. SPECIAL REQUIREMENT (S)

(Note: For a minimum 5M BOPE or less (Utilizing a 10M BOPE system)

BOPE Break Testing Variance

- BOPE Break Testing is ONLY permitted for 5M BOPE or less. (Annular preventer must be tested to a minimum of 70% of BOPE working pressure and shall be higher than the MASP)
- BOPE Break Testing is NOT permitted to drilling the production hole section.
- Variance only pertains to the intermediate hole-sections and no deeper than the Bone Springs formation.
- While in transfer between wells, the BOPE shall be secured by the hydraulic carrier or cradle.
- Any well control event while drilling require notification to the BLM Petroleum Engineer (575-706-2779) prior to the commencement of any BOPE Break Testing operations.
- A full BOPE test is required prior to drilling the first deep intermediate hole section. If any subsequent hole interval is deeper than the first, a full BOPE test will be required. (200' TVD tolerance between intermediate shoes is allowable).
- The BLM is to be contacted (575-689-5981 Lea County) 4 hours prior to BOPE tests.
- As a minimum, a full BOPE test shall be performed at 21-day intervals.
- In the event any repairs or replacement of the BOPE is required, the BOPE shall test as per 43 CFR 3170
- If in the event break testing is not utilized, then a full BOPE test would be conducted.

Casing Clearance:

Operator casing variance is approved for the utilization of

- Annular clearance to meet or exceed 0.422” between intermediate casing ID and production casing coupling only on the first 500’ overlap between both casing strings.
- Annular clearance less than 0.422” is acceptable for the production open hole section.

Operator shall clean up cycles until wellbore is clear of cuttings and any large debris, ensure cutting sizes are adequate “coffee ground or less” before cementing.

Offline Cementing

Contact the BLM prior to the commencement of any offline cementing procedure.

GENERAL REQUIREMENTS

The BLM is to be notified in advance for a representative to witness:

- a. Spudding well (minimum of 24 hours)
- b. Setting and/or Cementing of all casing strings (minimum of 4 hours)
- c. BOPE tests (minimum of 4 hours)

Eddy County

EMAIL or call the Carlsbad Field Office, 620 East Greene St., Carlsbad, NM 88220,
BLM_NM_CFO_DrillingNotifications@BLM.GOV
 (575) 361-2822

Lea County

Call the Hobbs Field Station, 414 West Taylor, Hobbs NM 88240, (575) 689-5981

1. Unless the production casing has been run and cemented or the well has been properly plugged, the drilling rig shall not be removed from over the hole without prior approval.
 - a. In the event the operator has proposed to drill multiple wells utilizing a skid/walking rig. Operator shall secure the wellbore on the current well, after installing and testing the wellhead, by installing a blind flange of like pressure rating to the wellhead and a pressure gauge that can be monitored while drilling is performed on the other well(s).
 - b. When the operator proposes to set surface casing with Spudder Rig
 - Notify the BLM when moving in and removing the Spudder Rig.
 - Notify the BLM when moving in the 2nd Rig. Rig to be moved in within 90 days of notification that Spudder Rig has left the location.
 - BOP/BOPE test to be conducted per Onshore Oil and Gas **43 CFR 3172**
 - as soon as 2nd Rig is rigged up on well.
2. Floor controls are required for 3M or Greater systems. These controls will be on the rig floor, unobstructed, readily accessible to the driller and will be operational at all times during drilling and/or completion activities. Rig floor is defined as the area immediately around the rotary table; the area immediately above the substructure on which the draw works are located, this does not include the dog house or stairway area.
3. The record of the drilling rate along with the GR/N well log run from TD to surface (horizontal well – vertical portion of hole) shall be submitted to the BLM office as well as all other logs run on the borehole 30 days from completion. If available, a digital copy of the logs is to be submitted in addition to the paper copies. The Rustler top and top and bottom of Salt are to be recorded on the Completion Report.

A. CASING

1. Changes to the approved APD casing program need prior approval if the items substituted are of lesser grade or different casing size or are Non-API. The Operator can exchange the components of the proposal with that of superior strength (i.e. changing from J-55 to N-80, or from 36# to 40#). Changes to the approved cement program need prior approval if the altered cement plan has less volume or strength or

if the changes are substantial (i.e. Multistage tool, ECP, etc.). The initial wellhead installed on the well will remain on the well with spools used as needed.

2. Wait on cement (WOC) for Potash Areas: After cementing but before commencing any tests, the casing string shall stand cemented under pressure until both of the following conditions have been met: 1) cement reaches a minimum compressive strength of 500 psi for all cement blends, 2) until cement has been in place at least 24 hours. WOC time will be recorded in the driller's log. The casing integrity test can be done (prior to the cement setting up) immediately after bumping the plug.
3. Wait on cement (WOC) for Water Basin: After cementing but before commencing any tests, the casing string shall stand cemented under pressure until both of the following conditions have been met: 1) cement reaches a minimum compressive strength of 500 psi at the shoe, 2) until cement has been in place at least 8 hours. WOC time will be recorded in the driller's log. See individual casing strings for details regarding lead cement slurry requirements. The casing integrity test can be done (prior to the cement setting up) immediately after bumping the plug.
4. Provide compressive strengths including hours to reach required 500 pounds compressive strength prior to cementing each casing string. Have well specific cement details onsite prior to pumping the cement for each casing string.
5. No pea gravel permitted for remedial or fall back remedial without prior authorization from the BLM engineer.
6. On that portion of any well approved for a 5M BOPE system or greater, a pressure integrity test of each casing shoe shall be performed. Formation at the shoe shall be tested to a minimum of the mud weight equivalent anticipated to control the formation pressure to the next casing depth or at total depth of the well. This test shall be performed before drilling more than 20 feet of new hole.
7. If hardband drill pipe is rotated inside casing, returns will be monitored for metal. If metal is found in samples, drill pipe will be pulled and rubber protectors which have a larger diameter than the tool joints of the drill pipe will be installed prior to continuing drilling operations.
8. Whenever a casing string is cemented in the R-111-P potash area, the NMOCD requirements shall be followed.

B. PRESSURE CONTROL

1. All blowout preventer (BOP) and related equipment (BOPE) shall comply with well control requirements as described in **43 CFR part 3170 Subpart 3172 and API STD 53 Sec. 5.3**.

2. If a variance is approved for a flexible hose to be installed from the BOP to the choke manifold, the following requirements apply: The flex line must meet the requirements of API 16C. Check condition of flexible line from BOP to choke manifold, replace if exterior is damaged or if line fails test. Line to be as straight as possible with no hard bends and is to be anchored according to Manufacturer's requirements. The flexible hose can be exchanged with a hose of equal size and equal or greater pressure rating. Anchor requirements, specification sheet and hydrostatic pressure test certification matching the hose in service, to be onsite for review. These documents shall be posted in the company man's trailer and on the rig floor.
3. 5M or higher system requires an HCR valve, remote kill line and annular to match. The remote kill line is to be installed prior to testing the system and tested to stack pressure.
4. If the operator has proposed a multi-bowl wellhead assembly in the APD. The following requirements must be met:
 - a. Wellhead shall be installed by manufacturer's representatives, submit documentation with subsequent sundry.
 - b. If the welding is performed by a third party, the manufacturer's representative shall monitor the temperature to verify that it does not exceed the maximum temperature of the seal.
 - c. Manufacturer representative shall install the test plug for the initial BOP test.
 - d. Whenever any seal subject to test pressure is broken, all the tests in **43 CFR 3172.6(b)(9)** must be followed.
 - e. If the cement does not circulate and one inch operations would have been possible with a standard wellhead, the well head shall be cut off, cementing operations performed and another wellhead installed.
5. The appropriate BLM office shall be notified a minimum of 4 hours in advance for a representative to witness the tests.
 - a. In a water basin, for all casing strings utilizing slips, these are to be set as soon as the crew and rig are ready and any fallback cement remediation has been done. The casing cut-off and BOP installation can be initiated four hours after installing the slips, which will be approximately six hours after bumping the plug. For those casing strings not using slips, the minimum wait time before cut-off is eight hours after bumping the plug. BOP/BOPE testing can begin after cut-off or once cement reaches 500 psi compressive strength (including lead cement), whichever is greater. However, if the float does not hold, cut-off cannot be initiated until cement reaches 500 psi compressive strength (including lead when specified).
 - b. In potash areas, for all casing strings utilizing slips, these are to be set as soon as the crew and rig are ready and any fallback cement remediation has been

done. For all casing strings, casing cut-off and BOP installation can be initiated at twelve hours after bumping the cement plug. The BOPE test can be initiated after bumping the cement plug with the casing valve open. (only applies to single stage cement jobs, prior to the cement setting up.)

- c. The tests shall be done by an independent service company utilizing a test plug not a cup or J-packer and can be initiated immediately with the casing valve open. The operator also has the option of utilizing an independent tester to test without a plug (i.e. against the casing) pursuant to **43 CFR 3172** with the pressure not to exceed 70% of the burst rating for the casing. Any test against the casing must meet the WOC time for water basin (8 hours) or potash (24 hours) or 500 pounds compressive strength, whichever is greater, prior to initiating the test (see casing segment as lead cement may be critical item).
- d. The test shall be run on a 5000 psi chart for a 2-3M BOP/BOP, on a 10000 psi chart for a 5M BOP/BOPE and on a 15000 psi chart for a 10M BOP/BOPE. If a linear chart is used, it shall be a one hour chart. A circular chart shall have a maximum 2 hour clock. If a twelve hour or twenty-four hour chart is used, tester shall make a notation that it is run with a two hour clock.
- e. The results of the test shall be reported to the appropriate BLM office.
- f. All tests are required to be recorded on a calibrated test chart. A copy of the BOP/BOPE test chart and a copy of independent service company test will be submitted to the appropriate BLM office.
- g. The BOP/BOPE test shall include a low pressure test from 250 to 300 psi. The test will be held for a minimum of 10 minutes if test is done with a test plug and 30 minutes without a test plug. This test shall be performed prior to the test at full stack pressure.
- h. BOP/BOPE must be tested by an independent service company within 500 feet of the top of the Wolfcamp formation if the time between the setting of the intermediate casing and reaching this depth exceeds 20 days. This test does not exclude the test prior to drilling out the casing shoe as per **43 CFR 3172**.

C. DRILLING MUD

Mud system monitoring equipment, with derrick floor indicators and visual and audio alarms, shall be operating before drilling into the Wolfcamp formation, and shall be used until production casing is run and cemented.

D. WASTE MATERIAL AND FLUIDS

All waste (i.e. drilling fluids, trash, salts, chemicals, sewage, gray water, etc.) created as a result of drilling operations and completion operations shall be safely contained and disposed of properly at a waste disposal facility. No waste material or fluid shall be disposed of on the well location or surrounding area.

Porto-johns and trash containers will be on-location during fracturing operations or any other crew-intensive operations.

JS 7/20/2023



Icy 18 Fed #206H

Hydrogen Sulfide Plan Summary

- A. All personnel shall receive proper H2S training in accordance with Onshore Order III.C.3.a.**
- B. Briefing Area: two perpendicular areas will be designated by signs and readily accessible.**
- C. Required Emergency Equipment:**
- **Well control equipment**
 - a. Flare line 150' from wellhead to be ignited by flare gun.
 - b. Choke manifold with a remotely operated choke.
 - c. Mud/gas separator
 - **Protective equipment for essential personnel:**
 - a. Breathing Apparatus:
 - i. Rescue Packs (SCBA) — 1 unit shall be placed at each breathing area, 2 shall be stored in the safety trailer.
 - ii. Work/Escapes packs — 4 packs shall be stored on the rig floor with sufficient air hose not to restrict work activity.
 - iii. Emergency Escape Packs — 4 packs shall be stored in the doghouse for emergency evacuation.
 - b. Auxiliary Rescue Equipment:
 - i. Stretcher
 - ii. Two OSHA full body harness
 - iii. 100 ft 5/8 inch OSHA approved rope
 - iv. 1-20# class ABC fire extinguisher
 - **H2S Detection and Monitoring Equipment:**

The stationary detector with three sensors will be placed in the upper dog house if equipped, set to visually alarm @ 10 ppm and audible @ 14 ppm. Calibrate a minimum of every 30 days or as needed. The sensors will be placed in the following places: Rig floor / Bell nipple / End of flow line or where well bore fluid is being discharged. (Gas sample tubes will be stored in the safety trailer)
 - **Visual Warning System:**
 - a. One color code condition sign will be placed at the entrance to the site reflecting the possible conditions at the site.
 - b. A colored condition flag will be on display, reflecting the current condition at the site at the time.
 - c. Two wind socks will be placed in strategic locations, visible from all angles.



Icy 18 Fed #206H

■ **Mud Program:**

The mud program has been designed to minimize the volume of H₂S circulated to surface. The operator will have the necessary mud products to minimize hazards while drilling in H₂S bearing zones.

■ **Metallurgy:**

All drill strings, casings, tubing, wellhead, blowout preventer, drilling spool, kill lines, choke manifold and lines, and valves shall be suitable for H₂S service.

■ **Communication:**

Communication will be via cell phones and land lines where available.



Icy 18 Fed #206H

Emergency Assistance Telephone List

PUBLIC SAFETY:	911 or
Lea County Sheriff's Department	(575) 396-3611
Corey Helton	
Fire Department	
Carlsbad	(575) 885-3125
Artesia	(575) 746-5050
Hospitals	
Carlsbad	(575) 887-4121
Artesia	(575) 748-3333
Hobbs	(575) 392-1979
Dept. of Public Safety/Carlsbad	(575) 748-9718
Highway Department	(575) 885-3281
U.S. Department of Labor	(575) 887-1174
Bureau of Land Management - Hobbs (Lea Co)	(575) 393-3612
PET On Call - Hobbs	(575) 706-2779
Bureau of Land Management - Carlsbad (Eddy Co)	(575) 234-5972
PET On Call - Carlsbad	(575) 706-2779
New Mexico Oil Conservation Division - Artesia	(575) 748-1283
Inspection Group South - Gilbert Gordero	(575) 626-0830
EOG Resources, Inc.	
EOG Midland	(432) 686-3600
Company Drilling Consultants:	
Jett Dueitt	(432) 230-4840
Blake Burney	
Drilling Engineers	
Daniel Moose	(432) 312-2803
Esteban Del Valle	(432) 269-7063
Stephen Davis	(432) 235-9789
Drilling Managers	
AJ Dach	(817) 480-1167
Branden Keener	(210) 294-3729
Drilling Superintendents	
Chris Hale	(432) 215-5531
Lance Hardy	(432) 215-8152
Ryan Reynolds	(432) 215-5978
Steve Kelly	(210) 416-7894
H&P Drilling	
H&P Drilling	(432) 563-5757
Nabors Drilling	
Nabors Drilling	(432) 363-8180
Patterson UTI	
Patterson UTI	(432) 561-9382
EOG Safety	
Brian Chandler (HSE Manager)	(817) 239-0251

District I
 1625 N. French Dr., Hobbs, NM 88240
 Phone:(575) 393-6161 Fax:(575) 393-0720
District II
 811 S. First St., Artesia, NM 88210
 Phone:(575) 748-1283 Fax:(575) 748-9720
District III
 1000 Rio Brazos Rd., Aztec, NM 87410
 Phone:(505) 334-6178 Fax:(505) 334-6170
District IV
 1220 S. St Francis Dr., Santa Fe, NM 87505
 Phone:(505) 476-3470 Fax:(505) 476-3462

State of New Mexico
Energy, Minerals and Natural Resources
Oil Conservation Division
1220 S. St Francis Dr.
Santa Fe, NM 87505

CONDITIONS

Action 253838

CONDITIONS

Operator: EOG RESOURCES INC P.O. Box 2267 Midland, TX 79702	OGRID: 7377
	Action Number: 253838
	Action Type: [C-101] BLM - Federal/Indian Land Lease (Form 3160-3)

CONDITIONS

Created By	Condition	Condition Date
pkautz	Will require a File As Drilled C-102 and a Directional Survey with the C-104	8/23/2023
pkautz	Once the well is spud, to prevent ground water contamination through whole or partial conduits from the surface, the operator shall drill without interruption through the fresh water zone or zones and shall immediately set in cement the water protection string	8/23/2023
pkautz	Oil base muds are not to be used until fresh water zones are cased and cemented providing isolation from the oil or diesel. This includes synthetic oils. Oil based mud, drilling fluids and solids must be contained in a steel closed loop system	8/23/2023
pkautz	Cement is required to circulate on both surface and intermediate1 strings of casing	8/23/2023
pkautz	IF ON ANY STRING CEMENT DOES NOT CIRCULATE, A RCBL MUST BE RUN ON THAT STRING OF CASING.	8/23/2023