

Southern District  
1625 N French Dr, Hobbs, NM 88240  
Phone: (575) 241-7063

State of New Mexico  
Energy, Minerals and Natural Resources Department  
Oil Conservation Division Hobbs District Office

BRADENHEAD TEST REPORT

Operator Name LeaCo Operating, LLC	API Number 30-025-25426
Property Name W H Rhodes B Federal NCT-1	Well No. #019

1. Surface Location

UL - Lot	Section	Township	Range	Feet from	N/S Line	Feet From	E/W Line	County
J	26	26S	37E	3300	FNL	1980	FEL	LEA

Well Status

TA'D WELL	YES	NO	SHUT-IN	YES	NO	INJ	INJECTOR	SWD	OIL	PRODUCER	GAS	DATE	9/17/2025
-----------	-----	----	---------	-----	----	-----	----------	-----	-----	----------	-----	------	-----------

OBSERVED DATA

	(A)Surface	(B)Interm(1)	(C)Interm(2)	(D)Prod Csgng	(E)Tubing
Pressure	0	/	/	0	0
Flow Characteristics					
Puff	Y/N	Y/N	Y/N	Y/N	CO2
Steady Flow	Y/N	Y/N	Y/N	Y/N	WTR ✓
Surges	Y/N	Y/N	Y/N	Y/N	GAS
Down to nothing	Y/N	Y/N	Y/N	Y/N	Type of Fluid
Gas or Oil	Y/N	Y/N	Y/N	Y/N	Injected for
Water	Y/N	Y/N	Y/N	Y/N	Waterflood if
					applies

Remarks - Please state for each string (A,B,C,D,E) pertinent information regarding bleed down or continuous build up if applies.

BHT OK  
MIT failed  
Well must be shut in ASAP

Signature:		OIL CONSERVATION DIVISION
Printed name: Bill Johnson		Entered into RBDMS
Title: SVP Operations		Re-test
E-mail Address: bill@leacooperating.com		
Date:	Phone: 918-550-1671	
Witness:	<i>[Signature]</i>	

INSTRUCTIONS ON BACK OF THIS FORM

State of New Mexico  
Energy, Minerals and Natural Resources Department

Michelle Lujan-Grisham  
Governor

Melanie A. Kenderdine  
Cabinet Secretary

Ben Shelton  
Deputy Secretary

Erin Taylor  
Deputy Secretary

Albert C.S. Chang  
Division Director  
Oil Conservation Division



Date: 9/17/2025

API # 30-025-25426

A Mechanical Integrity Test (M.I.T.) was performed on, Well WHP Rhodes B Fed-NCF-1 #19

\_\_\_ M.I.T. is **successful**: the original chart has been retained by the Operator on site. Submit a legible scan of the chart with an attached original Form C-103Z indicating the reason for the test. A scanned image will appear online via NMOCD website.

M.I.T. is **unsuccessful**: the original chart is returned to the Operator. Repairs will be made; Operator is to schedule for a re-test within a 90-day period. If this is a test of a repaired well currently in non-compliance, all dates and requirements of the original are still in effect. **No expectation of extension should be construed because of this test.**

\_\_\_ M.I.T. for **Temporary Abandonment**, shall include a detailed description on Form C-103, including the location of the CIBP and any other tubular goods in the well including the Operator's request for TA status timeline.

\_\_\_ M.I.T. is **successful**: after the secondary request of a scheduled M.I.T. is performed. Therefore, Operator has within a 30..day period from the M.I.T. to submit a current C-103 along with a legible scan of the Chart, including a detailed description of the repair(s). **Only after receipt of the C-103 will the non-compliance be closed.**

\_\_\_ M.I.T. is **successful**: initial of an injection well, you must submit a form C-103 to NMOCD within 30 days. A C-103 form must include a detailed description of the work performed on this well including the position of the packer, tubing information, the date of first injection, the tubing pressure and injection volume.

Please ensure all documentation requirements are in place prior to injection process.

If I can be of additional assistance, please feel free to contact me at (575) 703-4641

Thank You,

A handwritten signature in blue ink that reads "Barbara Lydick".

Barbara Lydick  
NMOCD  
South District

U.S. Department of the Interior  
BUREAU OF LAND MANAGEMENT

<b>Well Name:</b> WH RHODES B FEDERAL NCT-1	<b>Well Location:</b> T26S / R37E / SEC 26 / NWSE / 32.01241 / -103.1315493	<b>County or Parish/State:</b> LEA / NM
<b>Well Number:</b> 19	<b>Type of Well:</b> INJECTION - ENHANCED RECOVERY	<b>Allottee or Tribe Name:</b>
<b>Lease Number:</b> NMLC030174B	<b>Unit or CA Name:</b>	<b>Unit or CA Number:</b>
<b>US Well Number:</b> 3002525426	<b>Operator:</b> LEACO OPERATING LLC	

**Notice of Intent**

**Sundry ID:** 2878056

**Type of Submission:** Notice of Intent

**Type of Action:** Workover Operations

**Date Sundry Submitted:** 10/10/2025

**Time Sundry Submitted:** 08:58

**Date proposed operation will begin:** 12/25/2025

**Procedure Description:** The WH Rhodes B Federal NCT-1 #19 failed MIT on 9/17/2025. The MIT was witnessed by OCD Inspector Barbara Lydick. This well is covered under Bond NMB105785134. To bring the well back into compliance, the below procedure is proposed: 1. Verify 24-hour notice to OCD before rigging up on well 2. MIRU pulling unit 3. Install BOP 4. Unseat packer and remove current tubing string 5. Test casing for any leaks by halves 6. If casing leaks are found, cement squeeze, drill out, and test to ensure the leak is repaired 7. If no casing leaks are found, then a new packer will be utilized that will pass MIT 8. Re-perforate entire currently approved injection interval and acidize 9. RIH with new packer, new tubing and replace old wellhead with new wellhead and valves 10. Verify new downhole setup will hold pressure successfully 11. RDMO pulling unit 12. Set up with NMOCD for MIT re-testing and submit all subsequent State & Federal paperwork

**Surface Disturbance**

**Is any additional surface disturbance proposed?:** No

**NOI Attachments**

**Procedure Description**

WH\_RHodes\_B\_Fed\_NCT\_1\_19\_Current\_Proposed\_WBD\_20251114091230.pdf

Well Name: WH RHODES B FEDERAL NCT-1

Well Location: T26S / R37E / SEC 26 / NWSE / 32.01241 / -103.1315493

County or Parish/State: LEA / NM

Well Number: 19

Type of Well: INJECTION - ENHANCED RECOVERY

Allottee or Tribe Name:

Lease Number: NMLC030174B

Unit or CA Name:

Unit or CA Number:

US Well Number: 3002525426

Operator: LEACO OPERATING LLC

Conditions of Approval

Specialist Review

Workover\_or\_Vertical\_Deepen\_COA\_20251114124623.pdf

Operator

I certify that the foregoing is true and correct. Title 18 U.S.C. Section 1001 and Title 43 U.S.C. Section 1212, make it a crime for any person knowingly and willfully to make to any department or agency of the United States any false, fictitious or fraudulent statements or representations as to any matter within its jurisdiction. Electronic submission of Sundry Notices through this system satisfies regulations requiring a

Operator Electronic Signature: BILL JOHNSON

Signed on: NOV 14, 2025 09:13 AM

Name: LEACO OPERATING LLC

Title: SVP Operations

Street Address: 2121 SAGE ROAD STE 325

City: HOUSTON

State: TX

Phone: (918) 550-1671

Email address: BILL@LEACOOOPERATING.COM

Field

Representative Name:

Street Address:

City:

State:

Zip:

Phone:

Email address:

BLM Point of Contact

BLM POC Name: JONATHON W SHEPARD

BLM POC Title: Petroleum Engineer

BLM POC Phone: 5752345972

BLM POC Email Address: jshepard@blm.gov

Disposition: Approved

Disposition Date: 11/14/2025

Signature: Jonathon Shepard

Form 3160-5  
(October 2024)

UNITED STATES  
DEPARTMENT OF THE INTERIOR  
BUREAU OF LAND MANAGEMENT

FORM APPROVED  
OMB No. 1004-0220  
Expires: October 31, 2027

**SUNDRY NOTICES AND REPORTS ON WELLS**  
**Do not use this form for proposals to drill or to re-enter an abandoned well. Use Form 3160-3 (APD) for such proposals.**

5. Lease Serial No.

6. If Indian, Allottee or Tribe Name

**SUBMIT IN TRIPLICATE - Other instructions on page 2**

7. If Unit of CA/Agreement, Name and/or No.

1. Type of Well

Oil Well     Gas Well     Other

8. Well Name and No.

2. Name of Operator

9. API Well No.

3a. Address

3b. Phone No. (include area code)

10. Field and Pool or Exploratory Area

4. Location of Well (Footage, Sec., T.,R.,M., or Survey Description)

11. Country or Parish, State

**12. CHECK THE APPROPRIATE BOX(ES) TO INDICATE NATURE OF NOTICE, REPORT OR OTHER DATA**

TYPE OF SUBMISSION	TYPE OF ACTION			
<input type="checkbox"/> Notice of Intent	<input type="checkbox"/> Acidize	<input type="checkbox"/> Deepen	<input type="checkbox"/> Production (Start/Resume)	<input type="checkbox"/> Water Shut-Off
<input type="checkbox"/> Subsequent Report	<input type="checkbox"/> Alter Casing	<input type="checkbox"/> Hydraulic Fracturing	<input type="checkbox"/> Reclamation	<input type="checkbox"/> Well Integrity
<input type="checkbox"/> Final Abandonment Notice	<input type="checkbox"/> Casing Repair	<input type="checkbox"/> New Construction	<input type="checkbox"/> Recomplete	<input type="checkbox"/> Other
	<input type="checkbox"/> Change Plans	<input type="checkbox"/> Plug and Abandon	<input type="checkbox"/> Temporarily Abandon	
	<input type="checkbox"/> Convert to Injection	<input type="checkbox"/> Plug Back	<input type="checkbox"/> Water Disposal	

13. Describe Proposed or Completed Operation: Clearly state all pertinent details, including estimated starting date of any proposed work and approximate duration thereof. If the proposal is to deepen directionally or recomplete horizontally, give subsurface locations and measured and true vertical depths of all pertinent markers and zones. Attach the Bond under which the work will be performed or provide the Bond No. on file with BLM/BIA. Required subsequent reports must be filed within 30 days following completion of the involved operations. If the operation results in a multiple completion or recompletion in a new interval, a Form 3160-4 must be filed once testing has been completed. Final Abandonment Notices must be filed only after all requirements, including reclamation, have been completed and the operator has determined that the site is ready for final inspection.)

14. I hereby certify that the foregoing is true and correct. Name (Printed/Typed)

Title

Signature

Date

**THE SPACE FOR FEDERAL OR STATE OFFICE USE**

Approved by

Title

Date

Conditions of approval, if any, are attached. Approval of this notice does not warrant or certify that the applicant holds legal or equitable title to those rights in the subject lease which would entitle the applicant to conduct operations thereon.

Office

Title 18 U.S.C Section 1001 and Title 43 U.S.C Section 1212, make it a crime for any person knowingly and willfully to make to any department or agency of the United States any false, fictitious or fraudulent statements or representations as to any matter within its jurisdiction.

(Instructions on page 2)

## GENERAL INSTRUCTIONS

This form is designed for submitting proposals to perform certain well operations and reports of such operations when completed as indicated on Federal and Indian lands pursuant to applicable Federal law and regulations. Any necessary special instructions concerning the use of this form and the number of copies to be submitted, particularly with regard to local area or regional procedures and practices, are either shown below, will be issued by or may be obtained from the local Federal office.

## SPECIFIC INSTRUCTIONS

*Item 4* - Locations on Federal or Indian land should be described in accordance with Federal requirements. Consult the local Federal office for specific instructions.

*Item 13*: Proposals to abandon a well and subsequent reports of abandonment should include such special information as is required by the local Federal office. In addition, such proposals and reports should include reasons for the abandonment; data on any former or present productive zones or other zones with present significant fluid contents not sealed off by cement or otherwise; depths (top and bottom) and method of placement of cement plugs; mud or other material placed below, between and above plugs; amount, size, method of parting of any casing, liner or tubing pulled and the depth to the top of any tubing left in the hole; method of closing top of well and date well site conditioned for final inspection looking for approval of the abandonment. If the proposal will involve **hydraulic fracturing operations**, you must comply with 43 CFR 3162.3-3, including providing information about the protection of usable water. Operators should provide the best available information about all formations containing water and their depths. This information could include data and interpretation of resistivity logs run on nearby wells. Information may also be obtained from state or tribal regulatory agencies and from local BLM offices.

## NOTICES

The privacy Act of 1974 and the regulation in 43 CFR 2.48(d) provide that you be furnished the following information in connection with information required by this application.

AUTHORITY: 30 U.S.C. 181 et seq., 351 et seq., 25 U.S.C. 396; 43 CFR 3160.

PRINCIPAL PURPOSE: The information is used to: (1) Evaluate, when appropriate, approve applications, and report completion of subsequent well operations, on a Federal or Indian lease; and (2) document for administrative use, information for the management, disposal and use of National Resource lands and resources, such as: (a) evaluating the equipment and procedures to be used during a proposed subsequent well operation and reviewing the completed well operations for compliance with the approved plan; (b) requesting and granting approval to perform those actions covered by 43 CFR 3162.3-2, 3162.3-3, and 3162.3-4; (c) reporting the beginning or resumption of production, as required by 43 CFR 3162.4-1(c) and (d) analyzing future applications to drill or modify operations in light of data obtained and methods used.

ROUTINE USES: Information from the record and/or the record will be transferred to appropriate Federal, State, local or foreign agencies, when relevant to civil, criminal or regulatory investigations or prosecutions in connection with congressional inquiries or to consumer reporting agencies to facilitate collection of debts owed the Government.

EFFECT OF NOT PROVIDING THE INFORMATION: Filing of this notice and report and disclosure of the information is mandatory for those subsequent well operations specified in 43 CFR 3162.3-2, 3162.3-3, 3162.3-4.

The Paperwork Reduction Act of 1995 requires us to inform you that:

The BLM collects this information to evaluate proposed and/or completed subsequent well operations on Federal or Indian oil and gas leases.

Response to this request is mandatory.

The BLM would like you to know that you do not have to respond to this or any other Federal agency-sponsored information collection unless it displays a currently valid OMB control number.

**BURDEN HOURS STATEMENT:** Public reporting burden for this form is estimated to average 8 hours per response, including the time for reviewing instructions, gathering and maintaining data, and completing and reviewing the form. Direct comments regarding the burden estimate or any other aspect of this form to U.S. Department of the Interior, Bureau of Land Management (1004-0137), Bureau Information Collection Clearance Officer (WO-630), 1849 C St., N.W., Mail Stop 401 LS, Washington, D.C. 20240

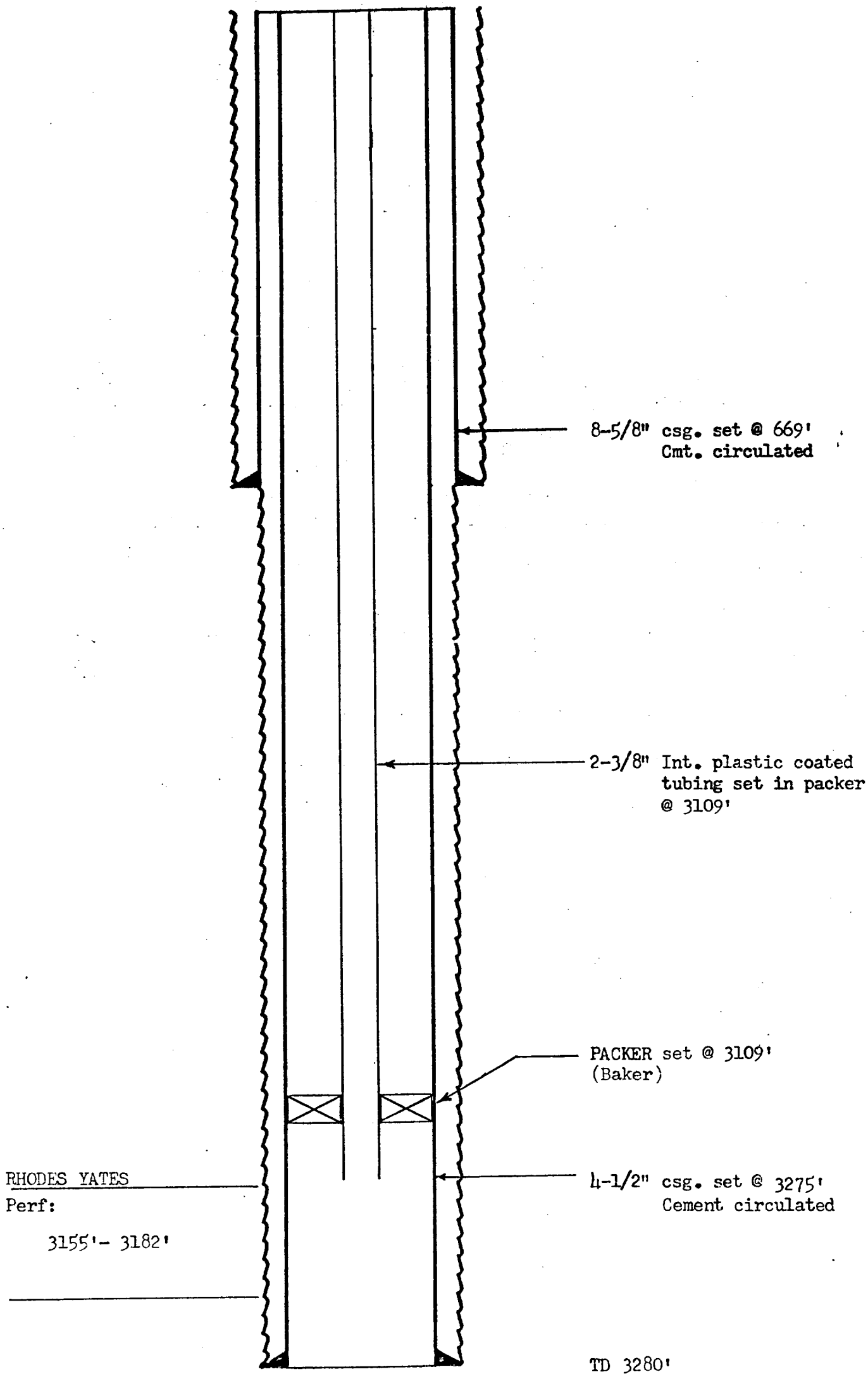
## Additional Information

### Additional Remarks

10. Verify new downhole setup will hold pressure successfully
11. RDMO pulling unit
12. Set up with NMOCD for MIT re-testing and submit all subsequent State & Federal paperwork

### Location of Well

0. SHL: NWSE / 3300 FNL / 1980 FEL / TWSP: 26S / RANGE: 37E / SECTION: 26 / LAT: 32.01241 / LONG: -103.1315493 ( TVD: 0 feet, MD: 0 feet )  
BHL: NWSE / 3300 FNL / 1980 FEL / TWSP: 26S / SECTION: / LAT: 0.0 / LONG: 0.0 ( TVD: 0 feet, MD: 0 feet )



TEXACO Inc.  
 W.H. RHODES "B" FED. NCT-1 NO. 19 (WIW)  
 RHODES YATES FIELD  
 LEA COUNTY, NEW MEXICO

WRH/CRC 7-25-77

**LEASE & WELL NO.** WH Rhodes B Federal NCT-1 #19 SWI  
**FIELD NAME** Rhodes Yates Seven Rivers  
**LOCATION** 3,300' FNL & 1,980' FEL, J-26-26S-37E

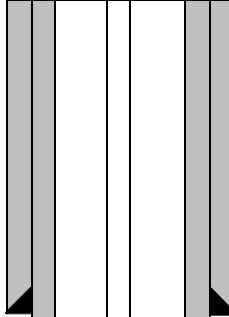
**FORMER NAME** \_\_\_\_\_  
**COUNTY & STATE** Lea County, NM  
**API NO.** 30-025-25426  
**DATE** 10/27/2025

**K.B. ELEV.** 2992'  
**GROUND LEVEL** 2993'      12.25" Hole Size

**PROPOSED**

**Formation Tops MD**  
 Top of Salt      1087'  
 Base of Salt      2835'  
 Top of Yates      2836'

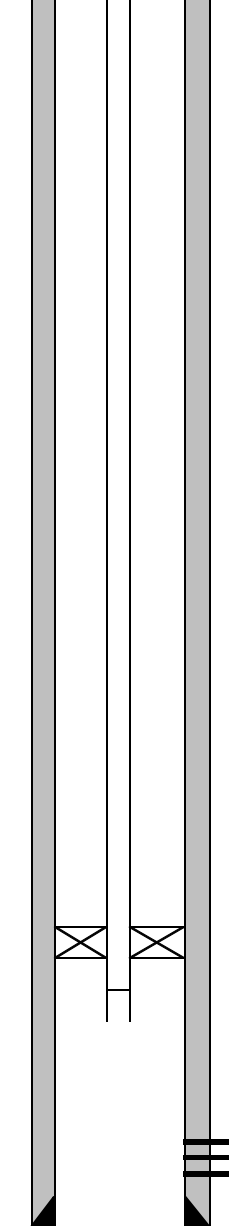
**SURFACE CASING**  
 SIZE 8-5/8"      WEIGHT 24.0#      DEPTH 669'  
 GRADE \_\_\_\_\_      SX. CMT. 600 sx      TOC @ Circ



**WELL HISTORY**      7-7/8" Hole Size  
 SPUD DATE: 6/17/1977  
 COMPLETION DATE: 7/1/1977  
 ReCOMPLETION DATE: \_\_\_\_\_

**PRODUCTION CASING**  
 SIZE 4-1/2"      WEIGHT 10.5#      DEPTH 3275'  
 GRADE \_\_\_\_\_      SX. CMT. 900 sx      TOC @ Circ

PBTD@ \_\_\_\_\_  
 TD@ 3280'



4.5" Pkr Set @ 2,740'

Perfs @ 2,840-3,280'

## BUREAU OF LAND MANAGEMENT

Carlsbad Field Office  
620 East Greene Street  
Carlsbad, New Mexico 88220  
575-234-5972

### Conditions of Approval for Workover/Deepening of a Well

1. Notification: Contact the appropriate BLM office at least 24 hours prior to the commencing of any operations. For wells in Eddy County, call 575-361-2822. For wells in Lea County, call 575-689-5981
2. Blowout Preventers: A blowout preventer (BOP), as appropriate, shall be installed before commencing any operation. The BOP must be installed and maintained as per API and manufacturer recommendations. The minimum BOP requirement is a 2M system for a well not deeper than 9,100 feet, a 3M system for a well not deeper than 13,600 feet, or a 5M system for a well not deeper than 22,700 feet (all depths are for measured well depth).
3. Cement: Notify BLM if cement fails to circulate.
4. Subsequent Reporting: Within 30 days after work is completed, file a Subsequent Report (Form 3160-5) to BLM. The report should give in detail the manner in which the work was carried out. Show date work was completed. If producing a new zone, submit a Completion Report (Form 3160-4) with the Subsequent Report.
5. Trash: All trash, junk and other waste material shall be contained in trash cages or bins to prevent scattering and will be removed and deposited in an approved sanitary landfill. Burial on site is not permitted.
6. If well location is within the Timing Limitation Stipulation Area for Lesser Prairie-Chicken: From March 1<sup>st</sup> through June 15<sup>th</sup> annually, activities will be allowed except between the hours from 3:00 am and 9:00 am. Normal vehicle use on existing roads will not be restricted.

Office
District I - (575) 393-6161
1625 N. French Dr., Hobbs, NM 88240
District II - (575) 748-1283
811 S. First St., Artesia, NM 88210
District III - (505) 334-6178
1000 Rio Brazos Rd., Aztec, NM 87410
District IV - (505) 476-3460
1220 S. St. Francis Dr., Santa Fe, NM
87505

State of New Mexico
Energy, Minerals and Natural Resources

Form C-103
Revised July 18, 2013

OIL CONSERVATION DIVISION
1220 South St. Francis Dr.
Santa Fe, NM 87505

WELL API NO.
30-025-25426
5. Indicate Type of Lease
STATE [ ] FEE [X] [ ]
6. State Oil & Gas Lease No.
7. Lease Name or Unit Agreement Name
WH Rhodes B Federal NCT-1
8. Well Number
19
9. OGRID Number
331439
10. Pool name or Wildcat
Rhodes Yates Seven Rivers
11. Elevation (Show whether DR, RKB, RT, GR, etc.)
2,992' GR

SUNDRY NOTICES AND REPORTS ON WELLS
(DO NOT USE THIS FORM FOR PROPOSALS TO DRILL OR TO DEEPEN OR PLUG BACK TO A
DIFFERENT RESERVOIR. USE "APPLICATION FOR PERMIT" (FORM C-101) FOR SUCH
PROPOSALS.)
1. Type of Well: Oil Well [ ] Gas Well [ ] Other: Injection
2. Name of Operator
LeaCo Operating, LLC
3. Address of Operator
2121 Sage Road, Suite 325 Houston, TX 77056
4. Well Location
Unit Letter J 3300 feet from the North line and 1980 feet from the East line
Section 26 Township 26S Range 37E NMPM Lea County
11. Elevation (Show whether DR, RKB, RT, GR, etc.)
2,992' GR

12. Check Appropriate Box to Indicate Nature of Notice, Report or Other Data

NOTICE OF INTENTION TO:
PERFORM REMEDIAL WORK X
TEMPORARILY ABANDON [ ]
PULL OR ALTER CASING [ ]
DOWNHOLE COMMINGLE [ ]
CLOSED-LOOP SYSTEM [ ]
OTHER: [ ]
SUBSEQUENT REPORT OF:
REMEDIAL WORK [ ]
COMMENCE DRILLING OPNS. [ ]
CASING/CEMENT JOB [ ]
OTHER: [ ]

13. Describe proposed or completed operations. (Clearly state all pertinent details, and give pertinent dates, including estimated date of starting any proposed work). SEE RULE 19.15.7.14 NMAC. For Multiple Completions: Attach wellbore diagram of proposed completion or recompletion.

- 1. Failed MIT on 9/17/2025, witnessed by Barbara Lydick. Water at surface at wellhead, no chart able to be ran.
2. Proposed Work Start Date of 12/23/2025, Verify 24-hour notice to BLM/OCD before rigging up on well
3. MIRU pulling unit & install BOP
4. Unseat packer and remove current tubing string
5. Test casing for any leaks by halves
a. If casing leaks are found, cement squeeze, drill out, and test to ensure the leak is repaired
b. If no casing leaks are found, then a new packer will be utilized that will pass MIT
6. Reperforate currently approved injection interval (Yates/7 R) and acidize
7. RIH w/new packer & new tubing and replace old wellhead with new wellhead & valves
8. Verify new downhole setup will hold pressure successfully
9. RDMO pulling unit
10. Set up with NMOCD for MIT re-testing and submit all subsequent State & Federal paperwork

Spud Date: 06/10/1977

Rig Release Date: 06/28/1977

I hereby certify that the information above is true and complete to the best of my knowledge and belief.

SIGNATURE Bill Johnson TITLE Authorized Signator DATE 11/17/2025

Type or print name: Bill Johnson E-mail address: bill@leacooperating.com PHONE: 918-550-1671

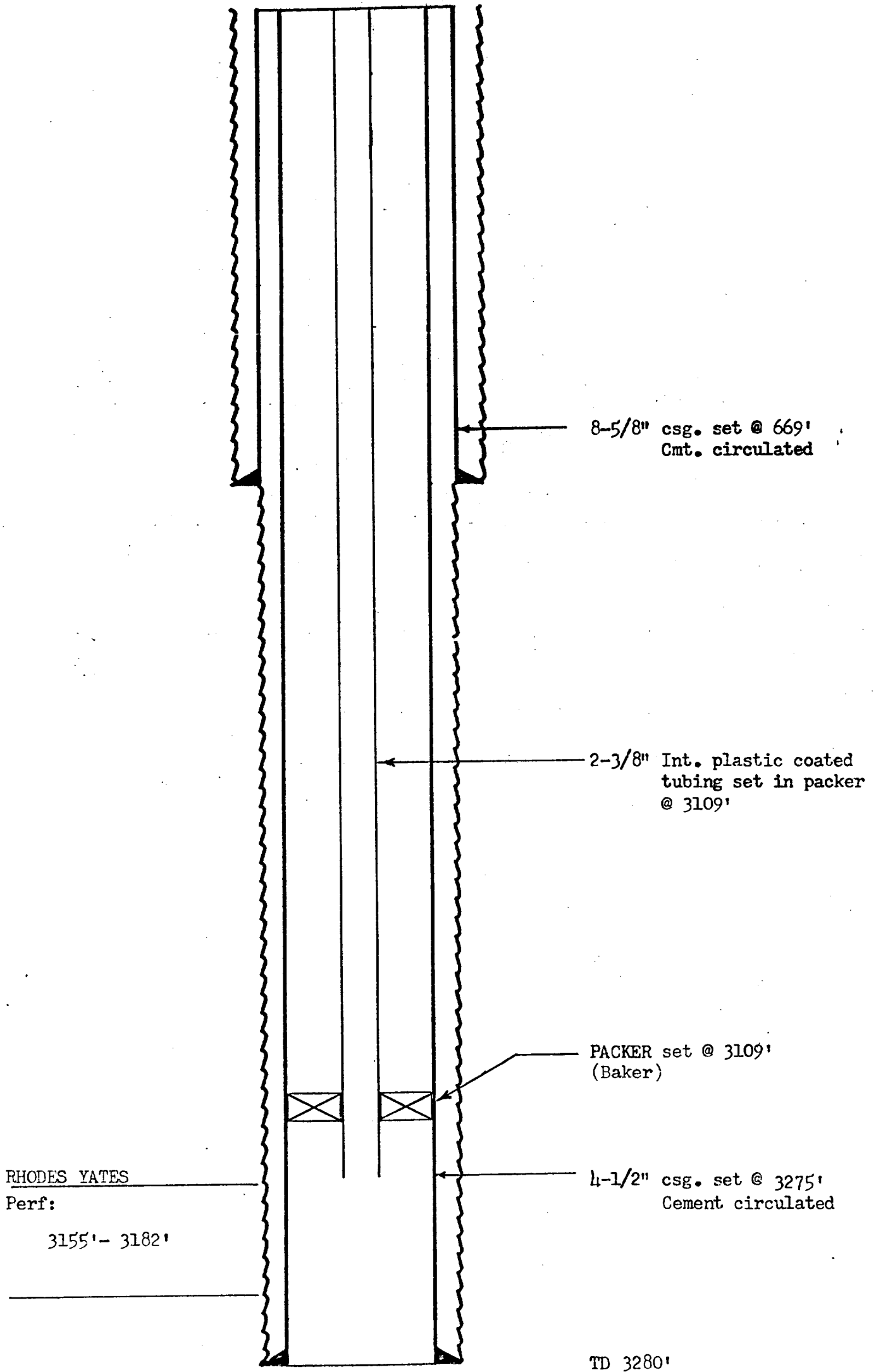
For State Use Only

APPROVED BY: TITLE DATE

Conditions of Approval (if any):

**Proposed WO Procedure – WH Rhodes B Federal NCT-1 19 - SWI – API 30-025-25425**

1. Verify 24-hour notice to BLM/OCD before rigging up on well
2. MIRU pulling unit
3. Install BOP
4. Unseat packer and remove current tubing string
5. Test casing for any leaks by halves
6. If casing leaks are found, cement squeeze, drill out, and test to ensure the leak is repaired
7. If no casing leaks are found, then a new packer will be utilized that will pass MIT
8. Re-perforate entire currently approved injection interval and acidize
9. RIH with new packer, new tubing and replace old wellhead with new wellhead and valves
10. Verify new downhole setup will hold pressure successfully
11. RDMO pulling unit
12. Set up with NMOCD for MIT re-testing and submit all subsequent State & Federal paperwork



TEXACO Inc.  
 W.H. RHODES "B" FED. NCT-1 NO. 19 (WIW)  
 RHODES YATES FIELD  
 LEA COUNTY, NEW MEXICO

WRH/CRC 7-25-77

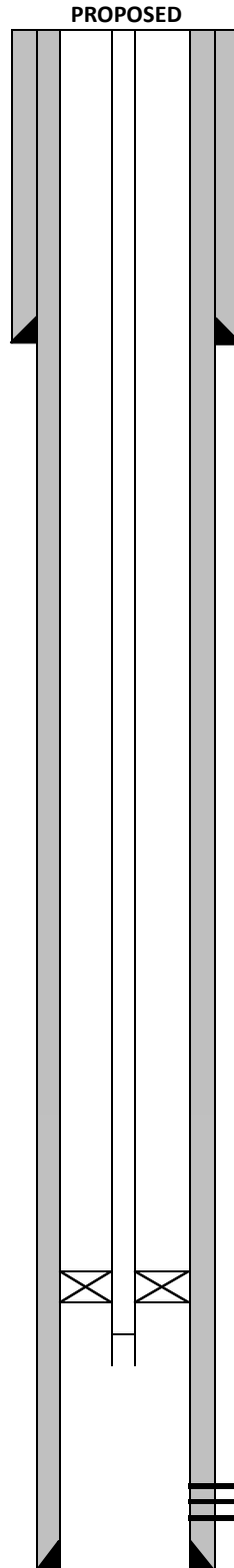
**LEASE & WELL NO.** WH Rhodes B Federal NCT-1 #19 SWI  
**FIELD NAME** Rhodes Yates Seven Rivers  
**LOCATION** 3,300' FNL & 1,980' FEL, J-26-26S-37E

**FORMER NAME** \_\_\_\_\_  
**COUNTY & STATE** Lea County, NM  
**API NO.** 30-025-25426  
**DATE** 10/27/2025

**K.B. ELEV.** 2992'  
**GROUND LEVEL** 2993'      12.25" Hole Size

**Formation Tops MD**  
 Top of Salt 1087'  
 Base of Salt 2835'  
 Top of Yates 2836'

**SURFACE CASING**  
 SIZE 8-5/8"      WEIGHT 24.0#      DEPTH 669'  
 GRADE \_\_\_\_\_      SX. CMT. 600 sx      TOC @ Circ



**WELL HISTORY**      7-7/8" Hole Size  
 SPUD DATE: 6/17/1977  
 COMPLETION DATE: 7/1/1977  
 ReCOMPLETION DATE: \_\_\_\_\_

**PRODUCTION CASING**  
 SIZE 4-1/2"      WEIGHT 10.5#      DEPTH 3275'  
 GRADE \_\_\_\_\_      SX. CMT. 900 sx      TOC @ Circ

PBTD@ \_\_\_\_\_  
 TD@ 3280'

4.5" Pkr Set @ 2,740'

Perfs @ 2,840-3,280'

Sante Fe Main Office  
Phone: (505) 476-3441

General Information  
Phone: (505) 629-6116

Online Phone Directory  
<https://www.emnrd.nm.gov/ocd/contact-us>

**State of New Mexico**  
**Energy, Minerals and Natural Resources**  
**Oil Conservation Division**  
**1220 S. St Francis Dr.**  
**Santa Fe, NM 87505**

CONDITIONS

Action 527308

**CONDITIONS**

Operator: LeaCo Operating, LLC 2121 Sage Road Houston, TX 77056	OGRID: 331439
	Action Number: 527308
	Action Type: [C-103] NOI Workover (C-103G)

**CONDITIONS**

Created By	Condition	Condition Date
anthony.harris	Approval issued for wellbore cleanout only. No changes to tubing size permitted. No changes to perforation interval or re-perforation permitted until the Unitized interval for this well is confirmed.	2/25/2026